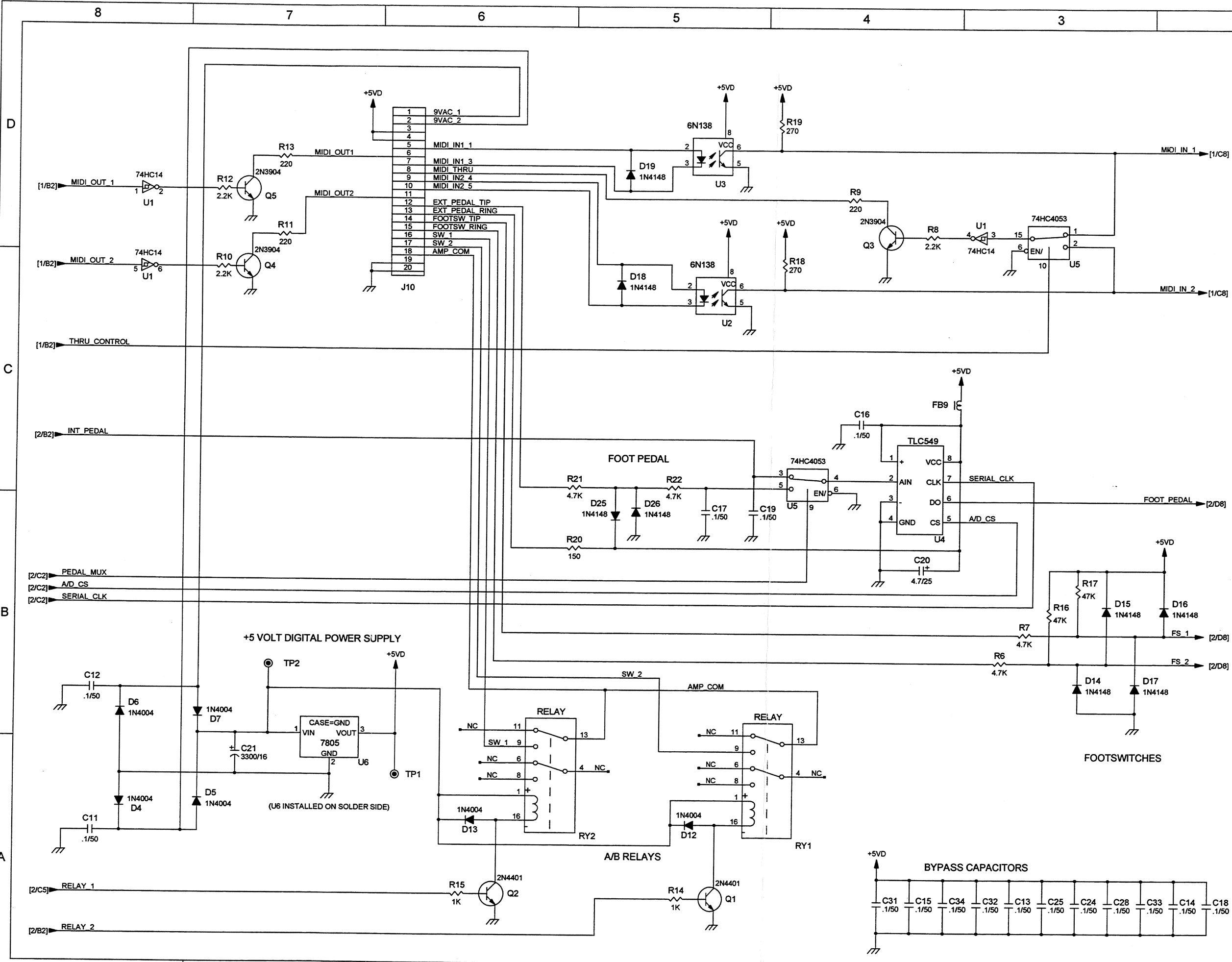


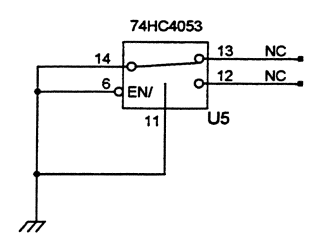
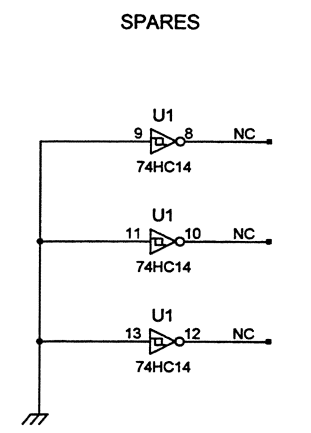
REVISIONS			
REV	DESCRIPTION	DRAFTER CHECKER	Q.C. AUTH.
1	CHANGED PER DCR 970115-01	RWH 2/7/97 BAC 2/7/97	CW 10/20/97 BAC 10/22/97
2	CHANGED PER DCR 970730-00	MTC 10/22/97 BAC 10/22/97	CW 10/22/97 BAC 10/22/97
3	CORRECTED SWITCH LABELS PER DCR# 971031-01	RWH 11/1/97 DJS 11/17/97	CW 11/24/97 BAC 12/1/97

CONTRACT NO.		<b>lexicon</b> 3 OAK PARK BEDFORD, MA 01730	
APPROVALS	DATE	TITLE	
DRAWN RWH	8/23/96	SCHEM, MAIN BD, MPX RC FRONT PANEL	
CHECKED BAC	8/23/96	SIZE B	CODE NUMBER 060-11818
Q.C. CW	9/17/96	FILE NAME	REV 3
ISSUED BAC	9/17/96	11818-3.3	SHEET 3 OF 4

2-11-1998\_14:56



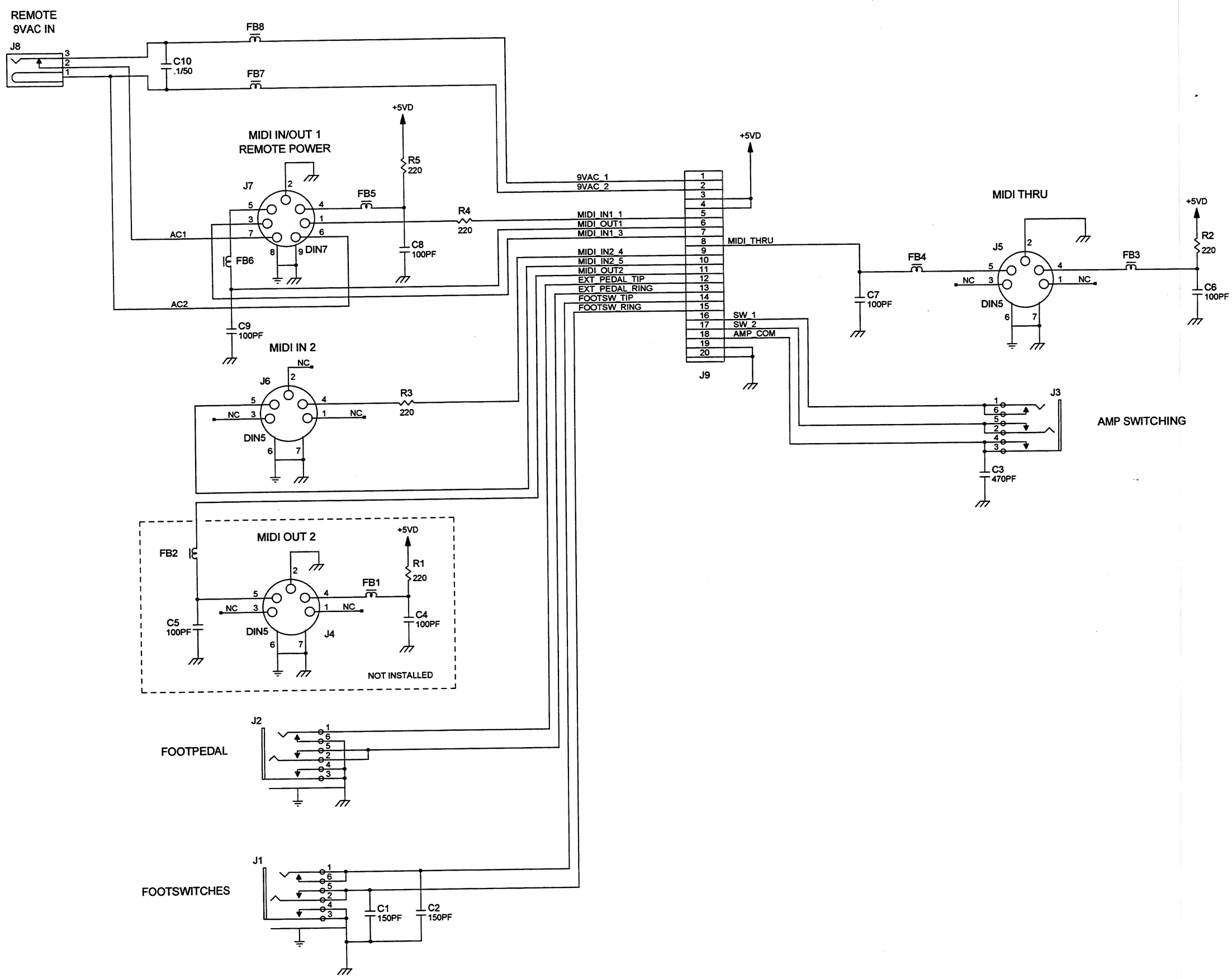
REVISIONS			
REV	DESCRIPTION	DRAFTER CHECKER	Q.C. AUTH.
1	CHANGED PER DCR 970115-01	RWH 2/7/97 BAC 2/7/97	CW 10/20/97 BAC 10/22/97
2	CHANGED PER DCR 970730-00	MTC 10/22/97 BAC 10/22/97	CW 10/22/97 BAC 10/22/97



CONTRACT NO.		<b>lexicon</b> 3 OAK PARK BEDFORD, MA 01730	
APPROVALS	DATE	TITLE	
DRAWN RWH	8/23/96	SCHEM, MAIN BD, MPX RC MIDI	
CHECKED BAC	8/23/96	SIZE B	CODE NUMBER 060-11818
Q.C. CW	9/17/96	FILE NAME	REV 2
ISSUED BAC	9/17/96	11818-2.4	SHEET 4 OF 4

10-23-1997\_16.06

REVISIONS			
REV	DESCRIPTION	DRAFTER CHECKER	Q.C. AUTH.
1	CHANGED PER DCR 970115-01	RWH 2/7/97 BAC 2/7/97	CW 10/20/97 BAC 10/22/97
2	CHANGED PER DCR 970730-00	MTC 10/22/97 BAC 10/22/97	CW 10/22/97 BAC 10/22/97

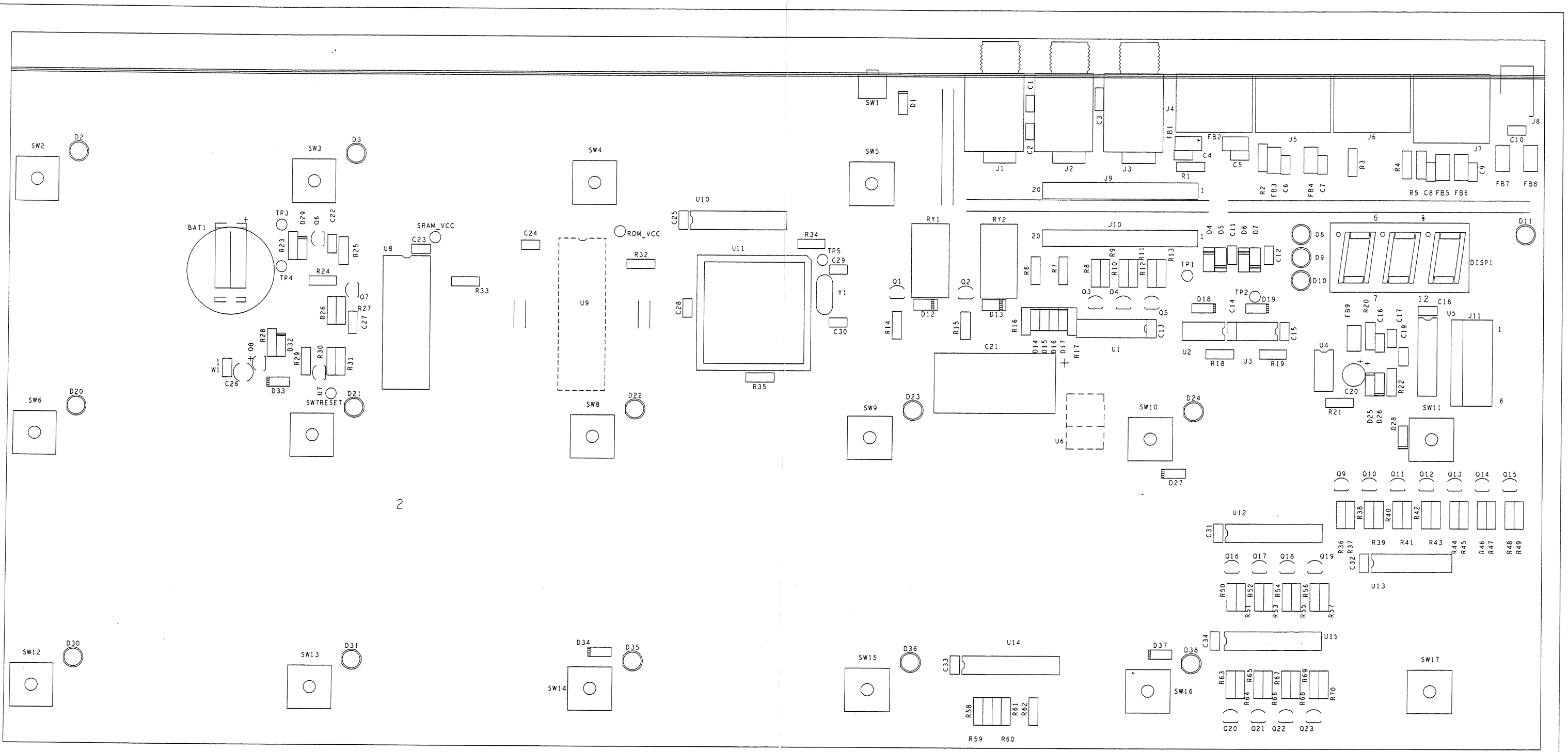


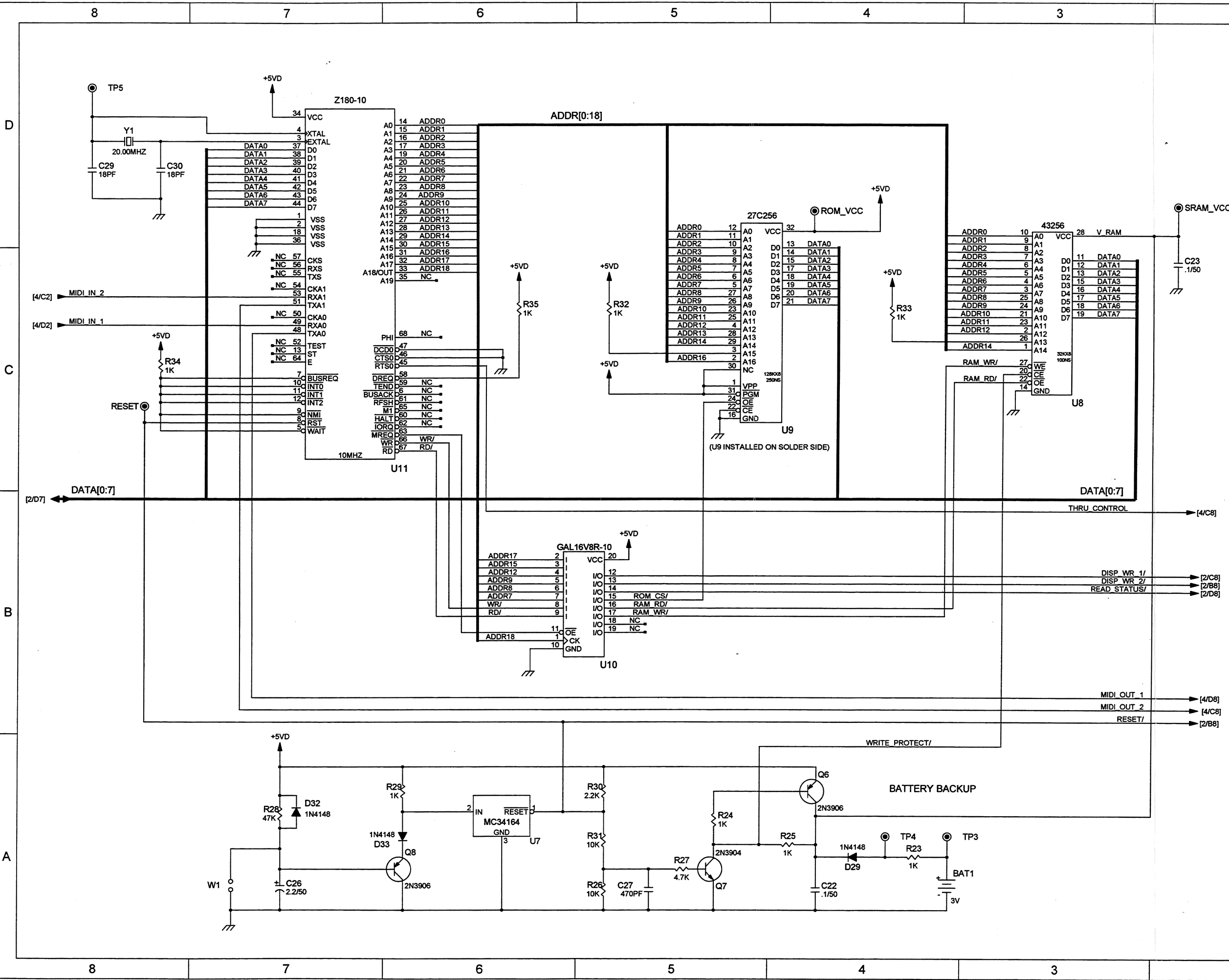
**NOTES**

- UNLESS OTHERWISE INDICATED, RESISTORS ARE 1/4W
- UNLESS OTHERWISE INDICATED, RESISTORS ARE 5%
- UNLESS OTHERWISE INDICATED, CAPACITORS ARE UF/V
- DIGITAL GROUND    
 ANALOG GROUND    
 CHASSIS GROUND    
 POWER GROUND

CONTRACT NO.	<b>lexicon</b>	3 OAK PARK BEDFORD, MA 01730
APPROVALS	DATE	TITLE
DRAWN RWH	8/23/96	SCHEM, RP BD, MPX RC REAR PANEL CONNECTORS
CHECKED BAC	8/23/96	SIZE B CODE NUMBER 060-11819 REV 2
Q.C. CW	9/17/96	FILE NAME 11818-2.5 SHEET 1 OF 1
ISSUED BAC	9/17/96	

10-23-1987\_16:07





REVISIONS			
REV	DESCRIPTION	DRAFTER CHECKER	Q.C. AUTH.
1	CHANGED PER DCR 970115-01	RWH 2/7/97 BAC 2/7/97	CW 10/20/97 BAC 10/22/97
2	CHANGED PER DCR 970730-00	MTC 10/22/97 BAC 10/22/97	CW 10/22/97 BAC 10/22/97
3	CHANGED SHEET 3 PER DCR# 971031-01	RWH 11/11/97 DJS 11/17/97	CW 11/24/97 BAC 12/1/97

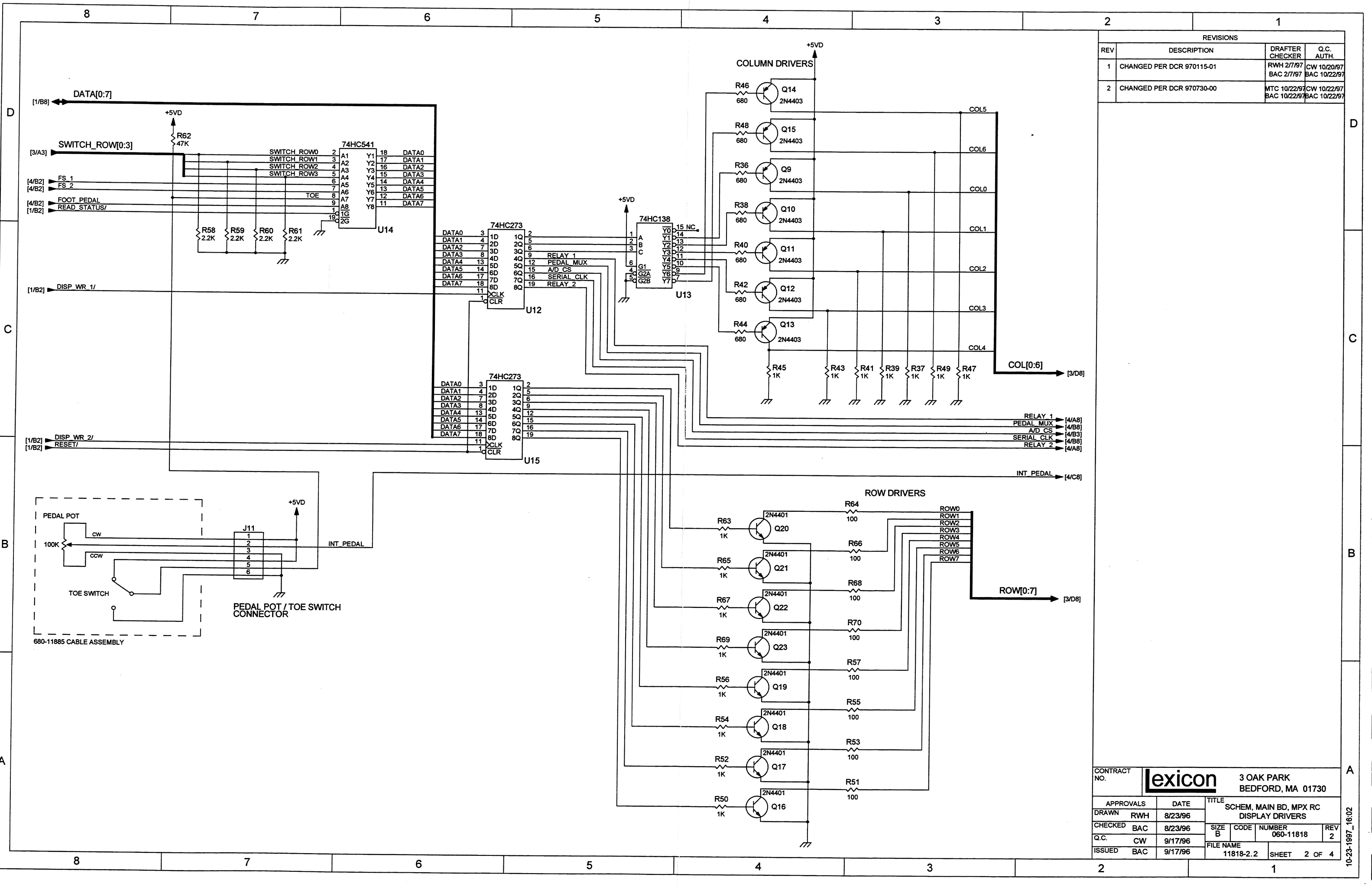
- NOTES**
- UNLESS OTHERWISE INDICATED, RESISTORS ARE 1/4W
  - UNLESS OTHERWISE INDICATED, RESISTORS ARE 5%
  - UNLESS OTHERWISE INDICATED, CAPACITORS ARE UFV
  - DIGITAL GROUND    ANALOG GROUND    CHASSIS GROUND    POWER GROUND
  - [XX/XX] DENOTES [SHEET NUMBER/SECTOR]
  - LAST REFERENCE DESIGNATORS USED:  
BAT1, C34, D38, DISP1, FB9, J11, Q23, R70, RY2, SW17, TP5, U15, W3, Y1.

**DOCUMENT CONTROL BLOCK: #060-11818**

SHEET NUMBER	REVISION NUMBER
1 OF 4	3
2 OF 4	2
3 OF 4	3
4 OF 4	2

CONTRACT NO.		<b>lexicon</b>		3 OAK PARK BEDFORD, MA 01730	
APPROVALS	DATE	TITLE			
DRAWN RWH	8/23/96	SCHEM, MAIN BD, MPX RC Z180, MEMORY			
CHECKED BAC	8/23/96	SIZE B	CODE	NUMBER 060-11818	REV 3
Q.C. CW	9/17/96	FILE NAME			
ISSUED BAC	9/17/96	11818-3.1		SHEET 1 OF 4	

2-11-1998\_14:56



REVISIONS			
REV	DESCRIPTION	DRAFTER CHECKER	Q.C. AUTH.
1	CHANGED PER DCR 970115-01	RWH 2/7/97 BAC 2/7/97	CW 10/20/97 BAC 10/22/97
2	CHANGED PER DCR 970730-00	MTC 10/22/97 BAC 10/22/97	CW 10/22/97 BAC 10/22/97

CONTRACT NO.		<b>lexicon</b>		3 OAK PARK BEDFORD, MA 01730	
APPROVALS	DATE	TITLE			
DRAWN RWH	8/23/96	SCHEM, MAIN BD, MPX RC DISPLAY DRIVERS			
CHECKED BAC	8/23/96	SIZE B	CODE	NUMBER 060-11818	REV 2
Q.C. CW	9/17/96	FILE NAME		11818-2.2	
ISSUED BAC	9/17/96	SHEET		2 OF 4	

10-23-1997\_16:02