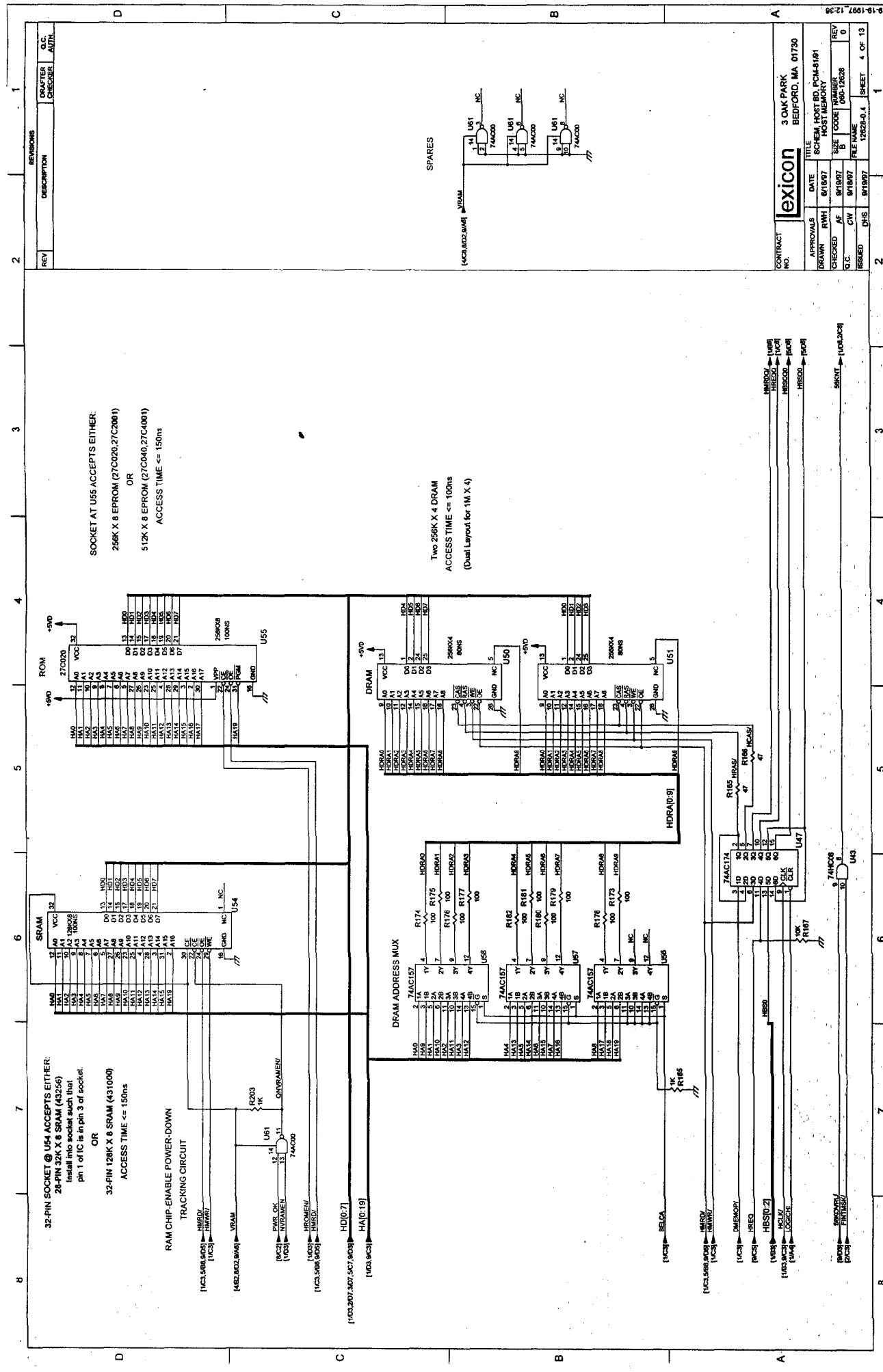


REV	DESCRIPTION	REVISIONS	DRAWN	CHECKED	AUTH.	C.C.
1						

CONTRACT NO.	DATE	TITLE
3 OAK PARK	8/19/97	SCHED. LOGIC FOR CONTROL & STATUS REGS

APPROVALS	DATE	FILE NAME
DRAWN: RWH	8/19/97	12628-0.1
CHECKED: AV	8/19/97	
C.C.:		
ISSUED: DHS	8/19/97	





32-PIN SOCKET @ U54 ACCEPTS EITHER:  
 28-PIN 32K X 8 SRAM (43256)  
 Install into socket such that  
 pin 1 of IC is in pin 3 of socket.  
 OR  
 32-PIN 128K X 8 SRAM (431000)  
 ACCESS TIME <= 150ns

SOCKET AT U55 ACCEPTS EITHER:  
 256K X 8 EPROM (27C020,27C2001)  
 OR  
 512K X 8 EPROM (27C040,27C4001)  
 ACCESS TIME <= 150ns

Two 256K X 4 DRAM  
 ACCESS TIME <= 100ns  
 (Dual Layout for 1M X 4)

REV	DESCRIPTION	DESIGNER	CHECKER	AUTH.
1				

CONTRACT NO.	DATE	TITLE
	8/18/87	3 OAK PARK BEDFORD, MA 01730

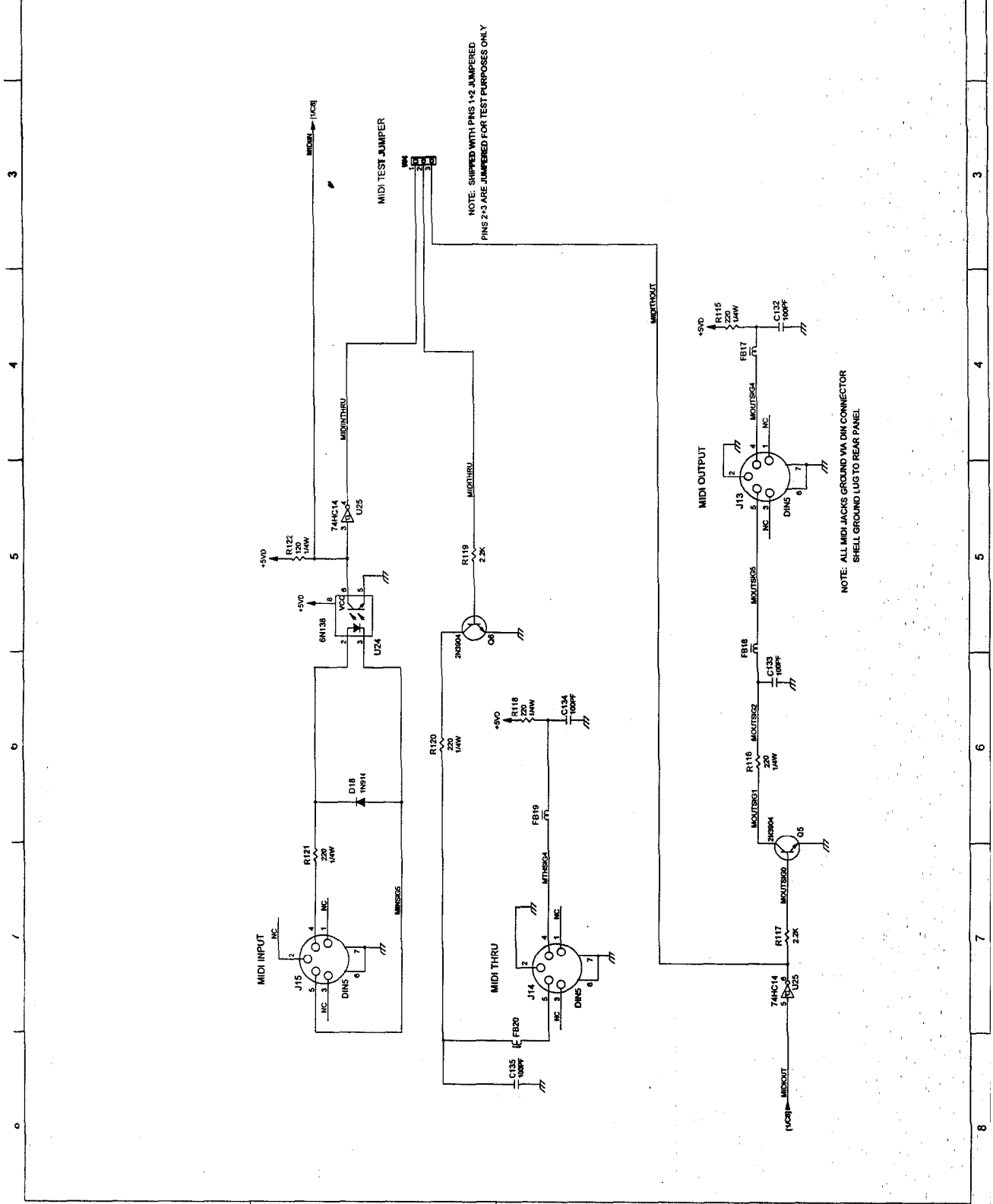
  

APPROVALS	DATE	SCHEMA HOST BD, PCM-8191
DRAWN	8/18/87	SCHEMA HOST MEMORY
CHECKED	AF	SIZE CODE NUMBER
G.C.	8/18/87	B
ISSUED	DPS	FILE NAME
		10258-0.1
		SHEET 4 OF 13

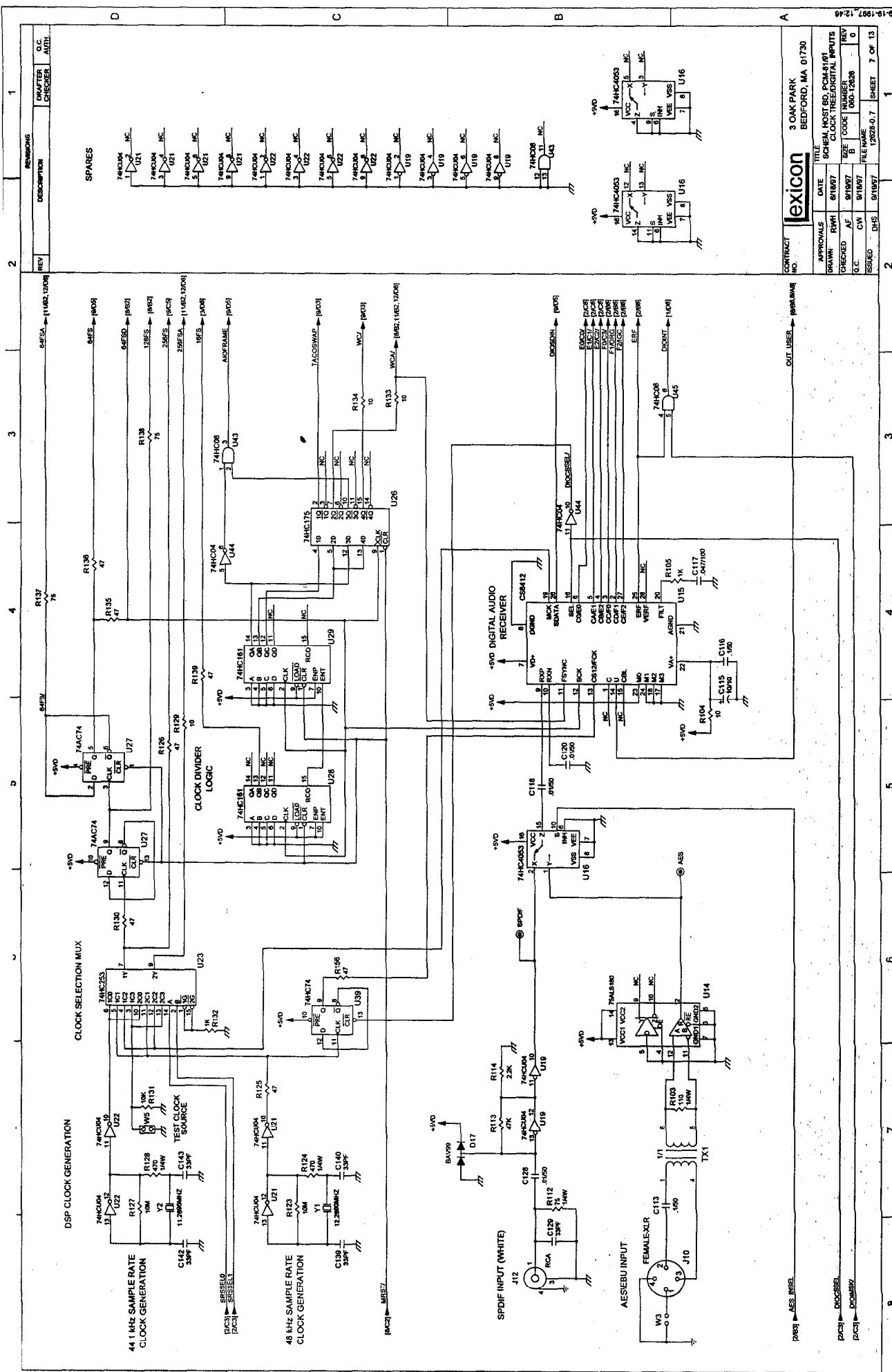
10258-0.1



REV	DESCRIPTION	DRAFTER	C.C. CHECKER	AUTH.



lexicon		3 OAK PARK BEDFORD, MA 01730	
CONTRACT NO.	DATE	TITLE	SCHEM. HOST BD. PCM-8191
APPROVALS	6/18/97	SIZE	B
DRAWN	RWH	CHECKED	AF
CW	8/18/97	FILE NO.	100-12628
ISSUED	DHS	REV	0
		REV	0
		SHEET	6 OF 13



REV	DESCRIPTION	REVISIONS	DRAWN	CHECKED	AUTH
1					
2					
3					
4					
5					
6					
7					
8					

CONTRACT NO.		3 OAK PARK	
DATE		BEDFORD, MA. 01730	
APPROVALS	DATE	TITLE	
DRAWN: RWH	6/18/87	SCHEM. HOST BD, PCM48/161	
CHECKED: AF	6/18/87	CLOCK TREE/DIGITAL INPUTS	
G.C.	CW	SIZE	CODE
ISSUED	DHS	NUMBER	REV
		FILE NAME	D
		1282-0.7	7 OF 13

SPARES

SPDF INPUT (WHITE)

AES/EBU INPUT

OUT USER → PARAM

RESISTOR VALUES: R101 10K, R102 10K, R103 10K, R104 10K, R105 10K, R106 10K, R107 10K, R108 10K, R109 10K, R110 10K, R111 10K, R112 10K, R113 47K, R114 22K, R115 10K, R116 10K, R117 10K, R118 10K, R119 10K, R120 10K, R121 10K, R122 10K, R123 10K, R124 10K, R125 47K, R126 10K, R127 10K, R128 10K, R129 10K, R130 47K, R131 10K, R132 10K, R133 10K, R134 10K, R135 47K, R136 47K, R137 10K, R138 75, R139 47K, R140 33K, R141 33K, R142 33K, R143 33K, R144 33K, R145 33K, R146 33K, R147 33K, R148 33K, R149 33K, R150 33K

CAPACITOR VALUES: C101 33P, C102 33P, C103 33P, C104 33P, C105 33P, C106 33P, C107 33P, C108 33P, C109 33P, C110 33P, C111 33P, C112 33P, C113 33P, C114 33P, C115 100P, C116 100P, C117 0.1, C118 0.1, C119 0.1, C120 0.1, C121 0.1, C122 0.1, C123 0.1, C124 0.1, C125 0.1, C126 0.1, C127 0.1, C128 0.1, C129 0.1, C130 0.1, C131 0.1, C132 0.1, C133 0.1, C134 0.1, C135 0.1, C136 0.1, C137 0.1, C138 0.1, C139 0.1, C140 33P, C141 33P, C142 33P, C143 33P, C144 33P, C145 33P, C146 33P, C147 33P, C148 33P, C149 33P, C150 33P

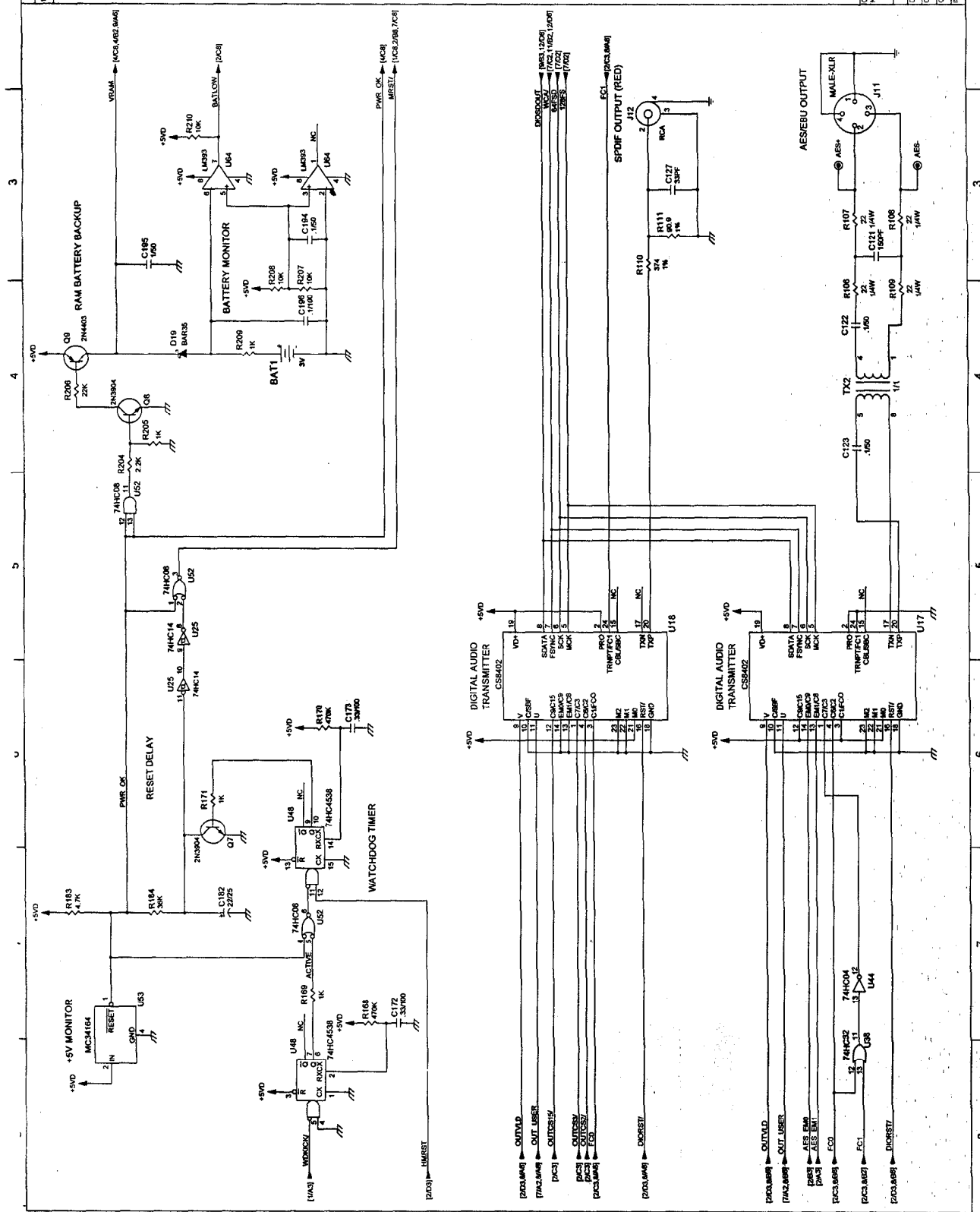
REV	DESCRIPTION	DATE	BY	CHKD	APP'D
1		01/18/97	AE	AE	
2		01/18/97	CW	CW	
3		01/18/97	DHS	DHS	

REVISIONS		DRAWER CHECKER		AUT.	
-----------	--	----------------	--	------	--

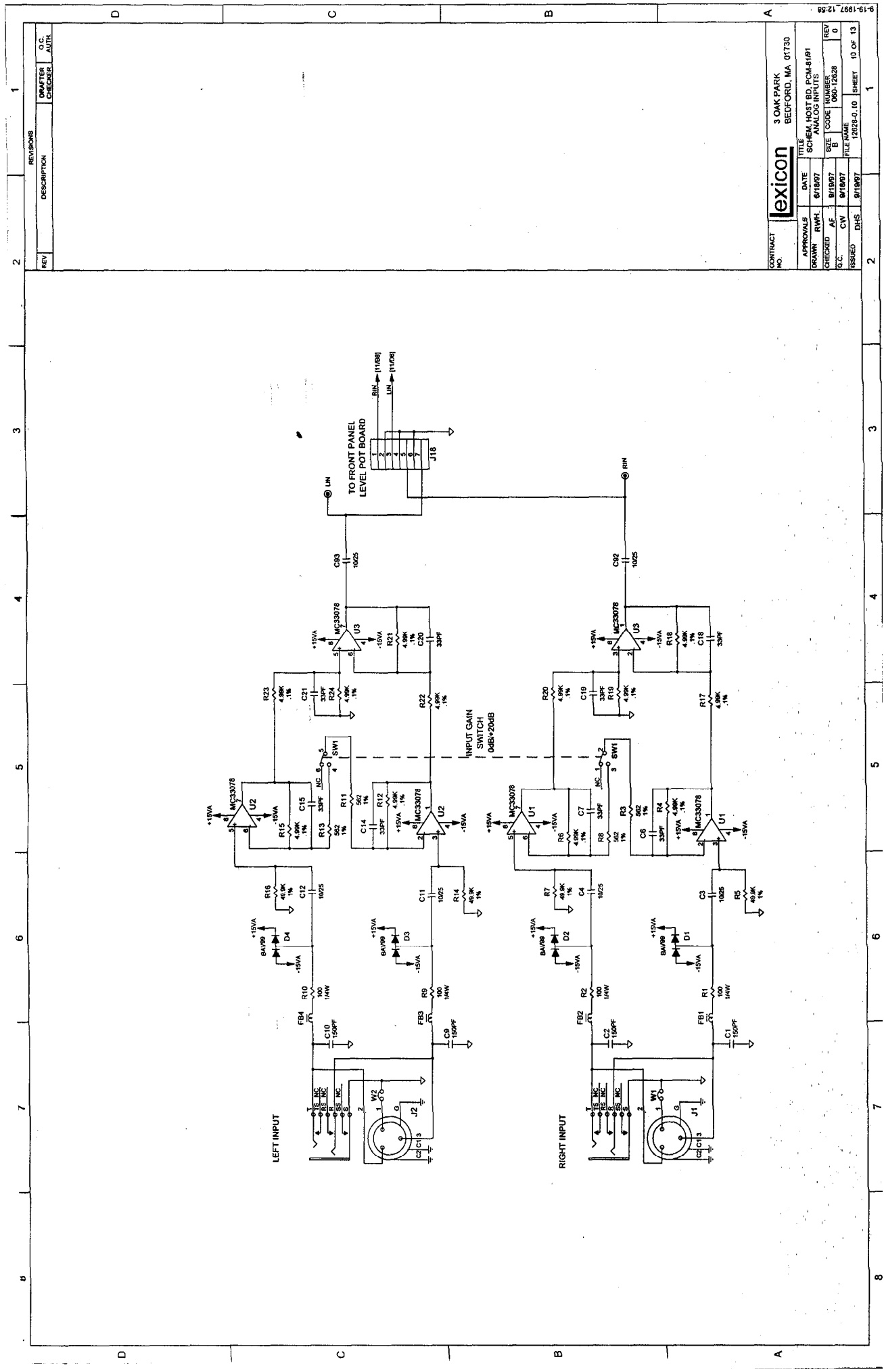
  

CONTRACT NO.	3 OAK PARK
TITLE	SCHEM HOST BD, PCM-8191
DATE	01/18/97
REV	0
CHECKED	AE
FILE NAME	12058-0.8
ISSUED	01/18/97
SHEET	8 OF 13









REV	DESCRIPTION	REVISIONS	DATE	BY	CHKD	APP'D

CONTRACT NO.	TITLE	DATE	DATE	DATE	DATE	DATE

APPROVALS	DATE	APPROVALS	DATE	APPROVALS	DATE

CHECKED	BY	DATE	FILE NAME	FILE NUMBER	REV

ISSUED	DATE	FILE NAME	FILE NUMBER	REV

CONTRACT NO.	TITLE	DATE	DATE	DATE	DATE

CHECKED	BY	DATE	FILE NAME	FILE NUMBER	REV

ISSUED	DATE	FILE NAME	FILE NUMBER	REV

CONTRACT NO.	TITLE	DATE	DATE	DATE	DATE

CHECKED	BY	DATE	FILE NAME	FILE NUMBER	REV

ISSUED	DATE	FILE NAME	FILE NUMBER	REV

CONTRACT NO.	TITLE	DATE	DATE	DATE	DATE

CHECKED	BY	DATE	FILE NAME	FILE NUMBER	REV

ISSUED	DATE	FILE NAME	FILE NUMBER	REV

CONTRACT NO.	TITLE	DATE	DATE	DATE	DATE

CHECKED	BY	DATE	FILE NAME	FILE NUMBER	REV

ISSUED	DATE	FILE NAME	FILE NUMBER	REV

lexicon

3 OAK PARK  
BEDFORD, MA 01730

CONTRACT NO. 1202B-0-10 SHEET 10 OF 13

DATE 8/18/97  
FILE NAME 1202B-0-10 SHEET 10 OF 13

DATE 8/18/97  
FILE NUMBER 000-1602B

DATE 8/18/97  
FILE NUMBER 0

DATE 8/18/97  
FILE NUMBER 0

DATE 8/18/97  
FILE NUMBER 0

DATE 8/18/97  
FILE NUMBER 0

DATE 8/18/97  
FILE NUMBER 0

DATE 8/18/97  
FILE NUMBER 0

DATE 8/18/97  
FILE NUMBER 0

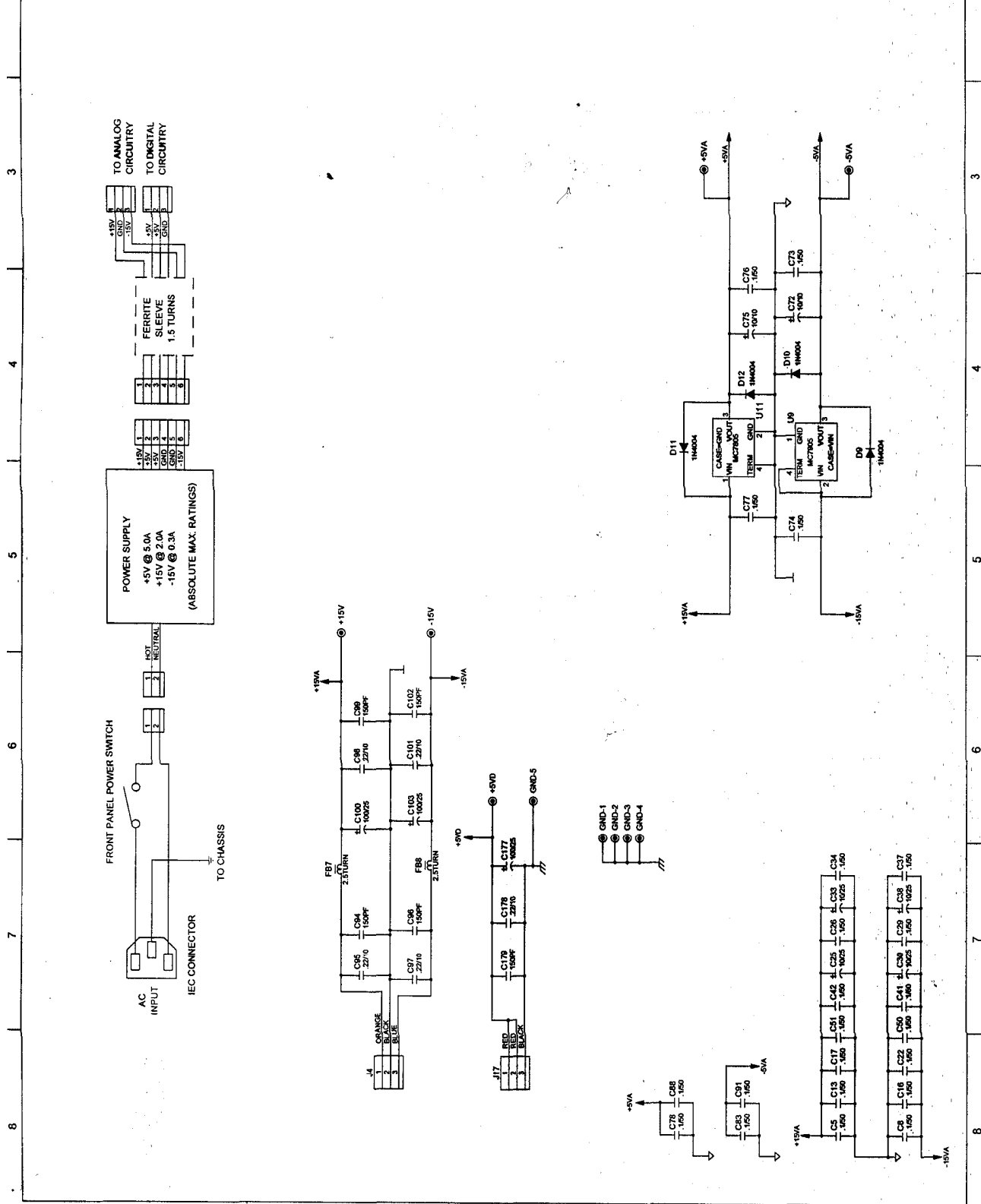




REV	DESCRIPTION	DRAWER CHECKER	AUTH.

REV	DESCRIPTION	DRAWER CHECKER	AUTH.



CONTRACT NO.		3 OAK PARK BEDFORD, MA 01730	
APPROVALS	DATE	TITLE	SCHEM. HOST BD. PCM-81/81
DRAWN	RWH	8/18/87	POWER SUPPLY
CHECKED	AE	8/18/87	SIZE CODE NUMBER
G.C.	CW	8/18/87	100-12628
ISSUED	DYS	8/18/87	FILE NAME
		12628-0.13	SHEET 13 OF 13