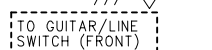
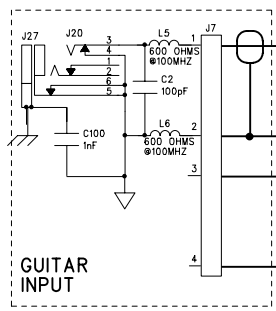


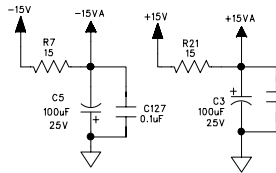
ECOs INCLUDED ON THIS SCHEMATIC/PCB REVISION		
ECO NO:	DATE:	DESCRIPTION:
4801	3/9/00	R18 & R17 TO 475K
4801	3/9/00	R16 & R12 TO 13K
	5/23/00	UPDATE TO REV B_X1. ADD CIRCUITRY FOR BASS PRO PRO

AUDIO INPUT STAGE

GUITAR OUT



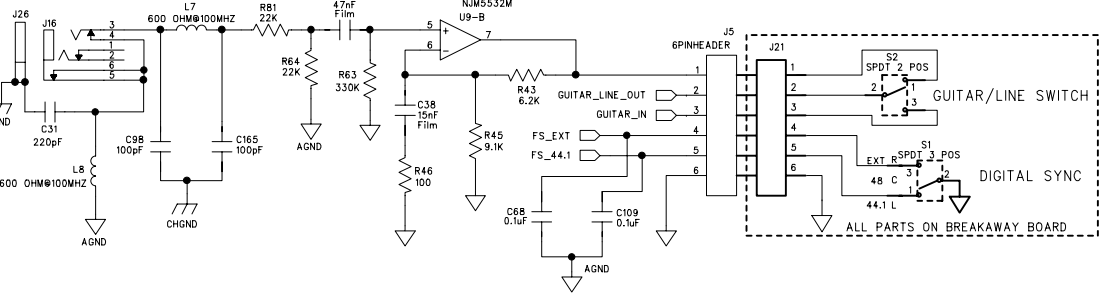
ALL PARTS ON BREAKAWAY BOARD



LINE IN

2.4Vp-p Max

3.0Vp-p Max



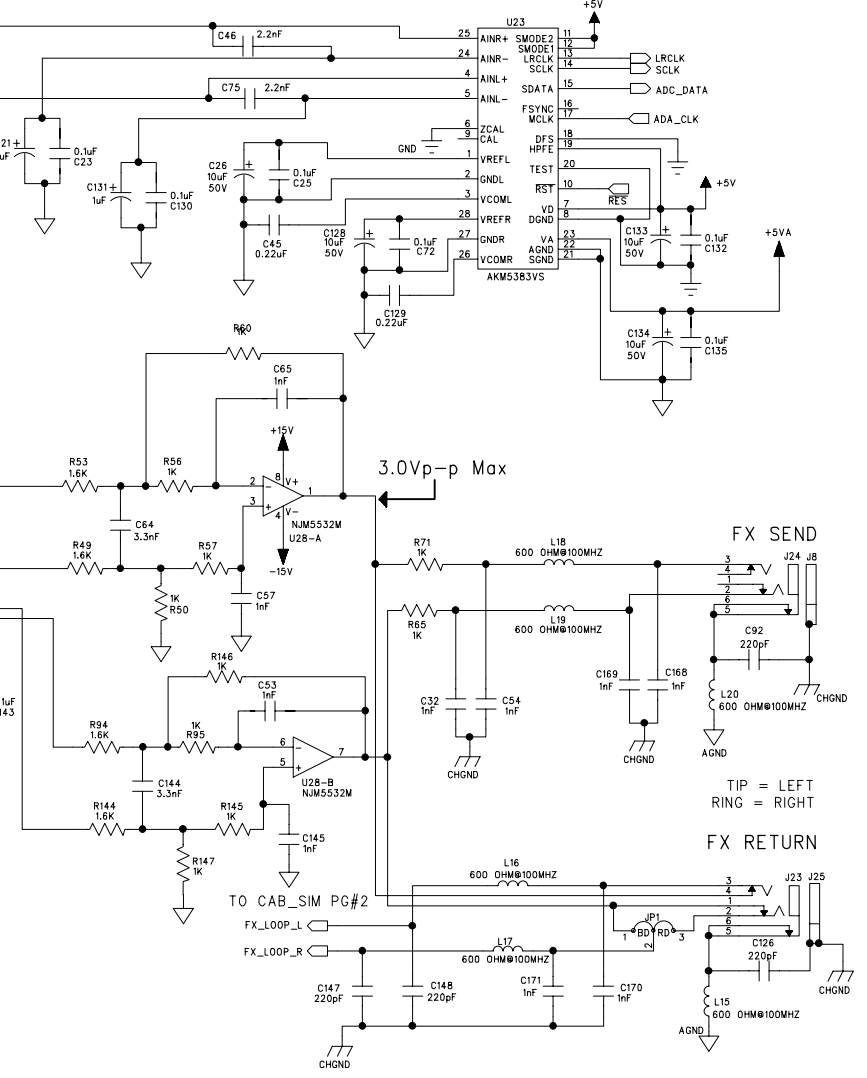
ALL PARTS ON BREAKAWAY BOARD

5Vp-p Max

+5V

2.4Vp-p Max

3.0Vp-p Max



FX SEND

FX RETURN

TIP = LEFT
RING = RIGHT

COMPANY:	LINE 6		
TITLE:	ROD/BOD MAIN BOARD BASS POD PRO/POD PRO		
PROGRAM:	PADS POWER LOGIC V3.0		REV: C
DRAWN:	D.B.	DATED:	5/23/00
CHECKED:	T,P	DATED:	3-20-00
FILENAME:	Data on Ffd/Clients/Ffd/Rod/Hardware/Schematics/ X-REVISIONS/POD PRO MAIN Rev.C.sch		
SCALE:	1:1	SIZE:	C
PART NUMBER:	XX-XX-XXXX	SHEET:	1 OF 6

ECO# INCLUDED ON THIS SCHEMATIC/PCB REVISION		
ECO NO:	DATE:	DESCRIPTION:
		SEE PAGE 1

D

C

B

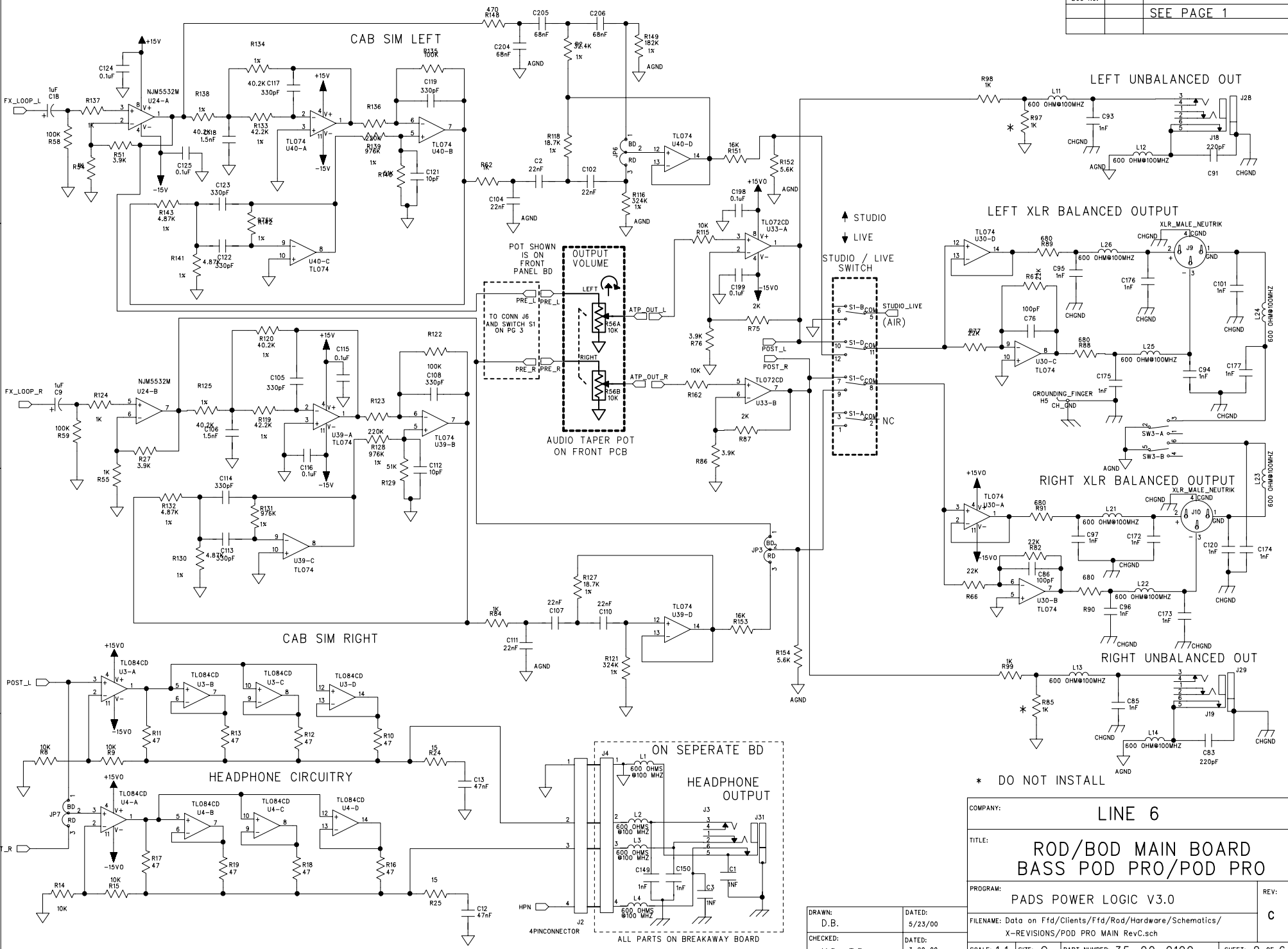
A

D

C

B

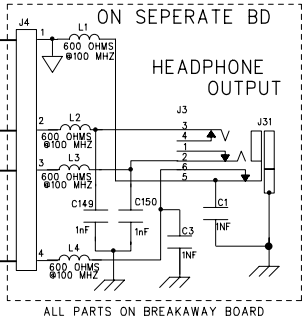
A

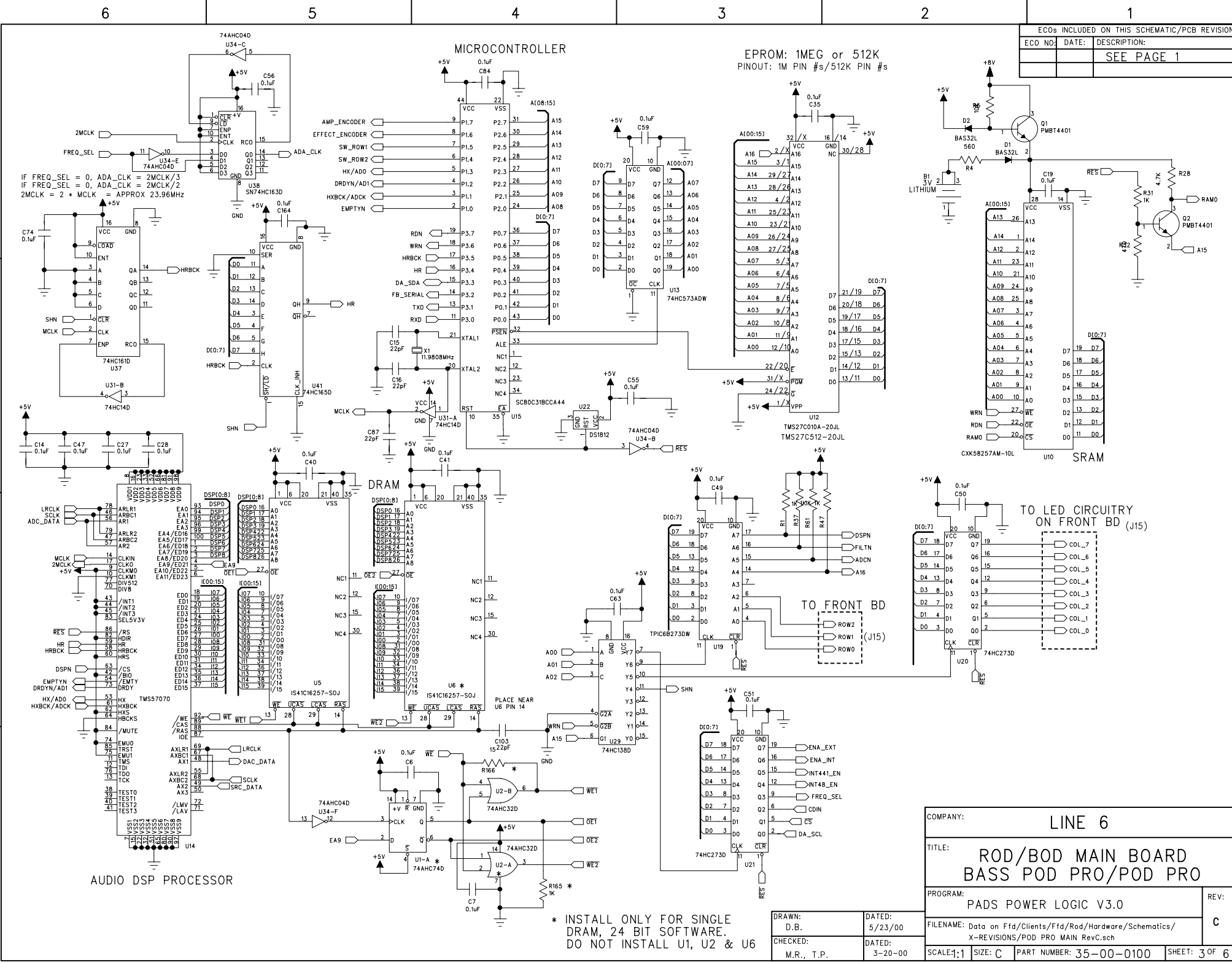


* DO NOT INSTALL

COMPANY:	LINE 6		
TITLE:	ROD/BOD MAIN BOARD BASS POD PRO/POD PRO		
PROGRAM:	PADS POWER LOGIC V3.0		
FILENAME:	Data on Ffd/Clients/Ffd/Rod/Hardware/Schematics/ X-REVISIONS/POD PRO MAIN RevC.sch		
SCALE:	1:1	SIZE:	C
PART NUMBER:	35-00-0100	SHEET:	2 OF 6

DRAWN:	DATED:
D.B.	5/23/00
CHECKED:	DATED:
M.D., T.P.	3-20-00





ECOs INCLUDED ON THIS SCHEMATIC/PCB REVISION		
ECO NO.	DATE:	DESCRIPTION:
		SEE PAGE 1

IF FREQ_SEL = 0, ADA_CLK = 2MCLK/3
 IF FREQ_SEL = 0, ADA_CLK = 2MCLK/2
 2MCLK = 2 * MCLK = APPROX 23.96MHZ

EPROM: 1MEG or 512K
 PINOUT: 1M PIN #s/512K PIN #s

TO LED CIRCUITRY
 ON FRONT BD (J15)

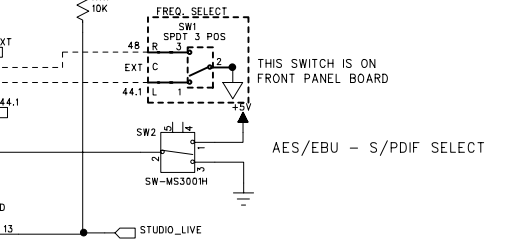
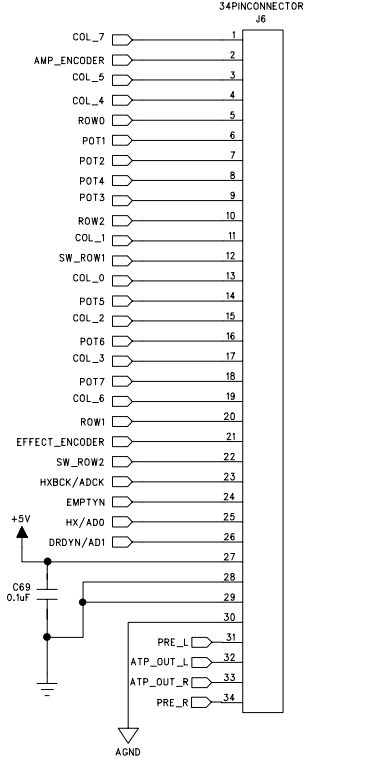
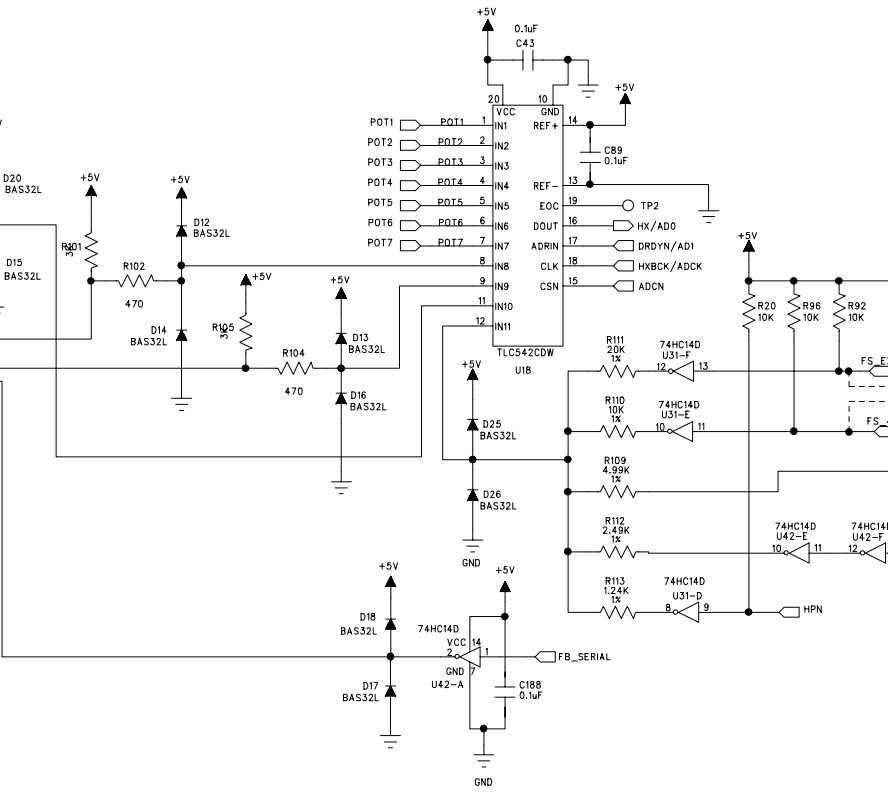
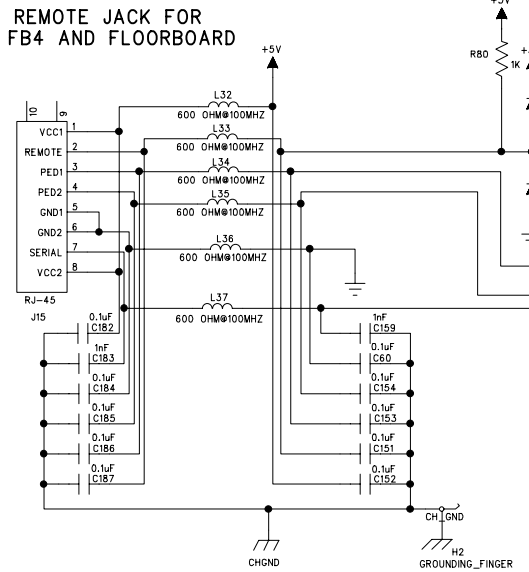
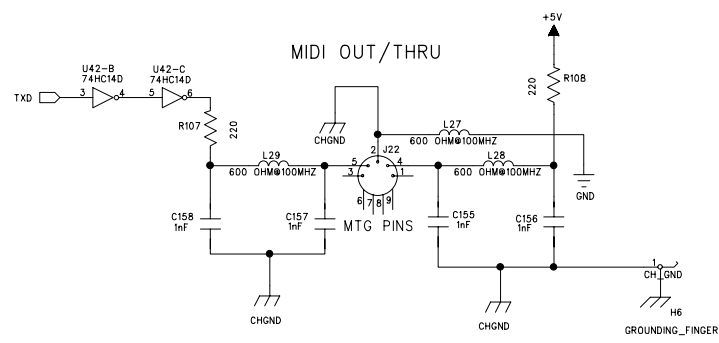
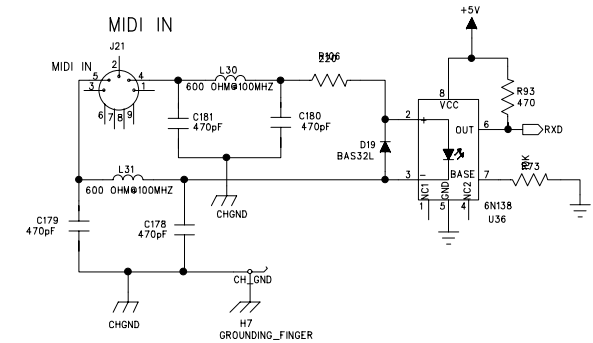
TO FRONT BD
 (J15)

AUDIO DSP PROCESSOR

* INSTALL ONLY FOR SINGLE
 DRAM, 24 BIT SOFTWARE.
 DO NOT INSTALL U1, U2 & U6

COMPANY:	LINE 6	
TITLE:	ROD/BOD MAIN BOARD BASS POD PRO/POD PRO	
PROGRAM:	PADS POWER LOGIC V3.0	
REV:	C	
FILENAME:	Data on Ffd/Clients/Ffd/Rod/Hardware/Schematics/ X-REVISIONS/POD PRO MAIN Rev.C.sch	
SCALE: 1:1	SIZE: C	PART NUMBER: 35-00-0100
DRAWN: D.B.	DATED: 5/23/00	SHEET: 3 OF 6
CHECKED: M.R., T.P.	DATED: 3-20-00	

ECO# INCLUDED ON THIS SCHEMATIC/PCB REVISION		
ECO NO:	DATE:	DESCRIPTION:
		SEE PAGE 1



COMPANY:	LINE 6		
TITLE:	ROD/BOD MAIN BOARD BASS POD PRO/POD PRO		
PROGRAM:	PADS POWER LOGIC V3.0		REV:
			C
DRAWN:	D.B.	DATED:	5/23/00
CHECKED:	M.D., T.P.	DATED:	3-20-00
SCALE:	1:1	SIZE:	C
PART NUMBER:	35-00-0100		SHEET: 4 OF 6

6

5

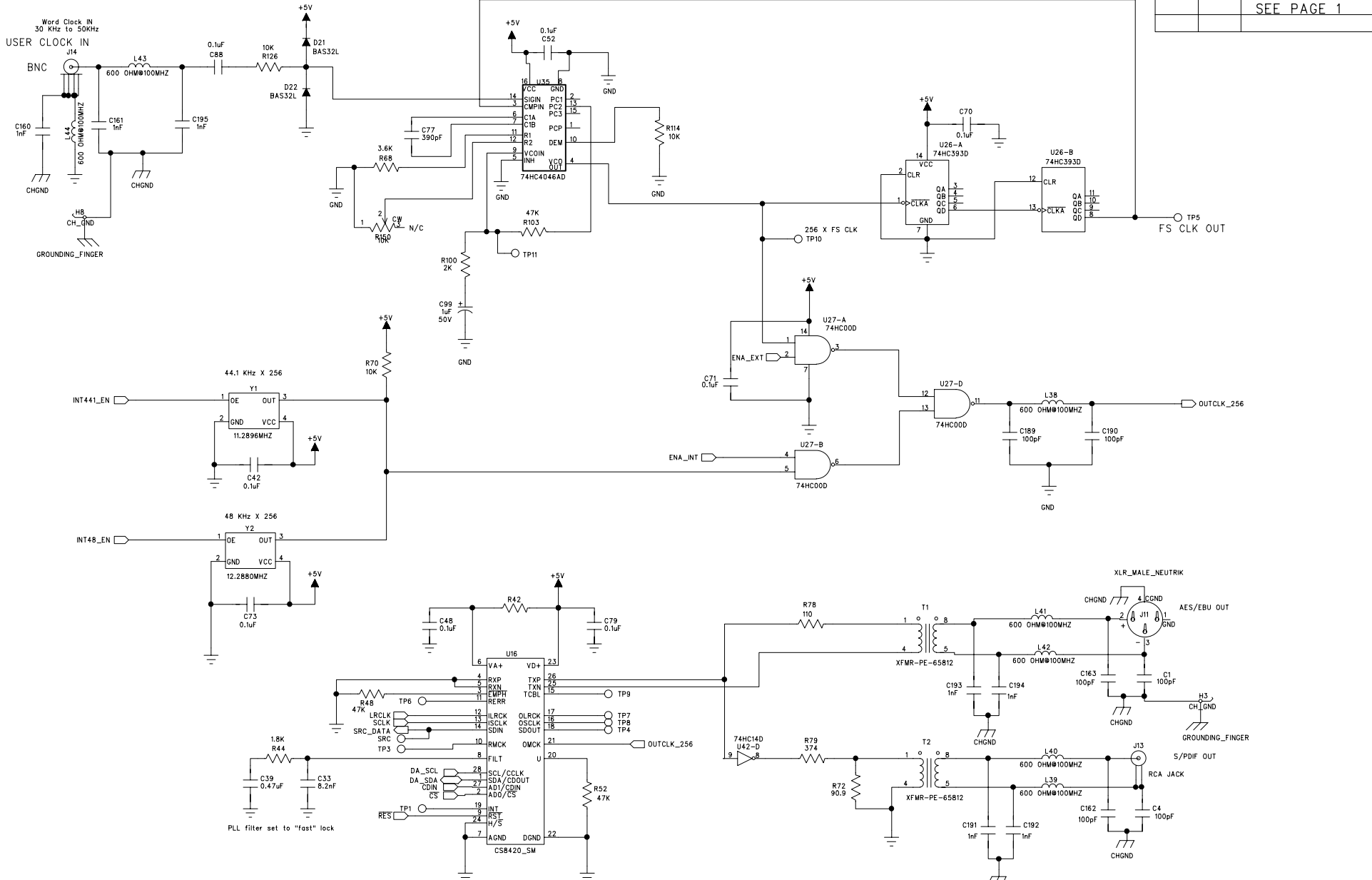
4

3

2

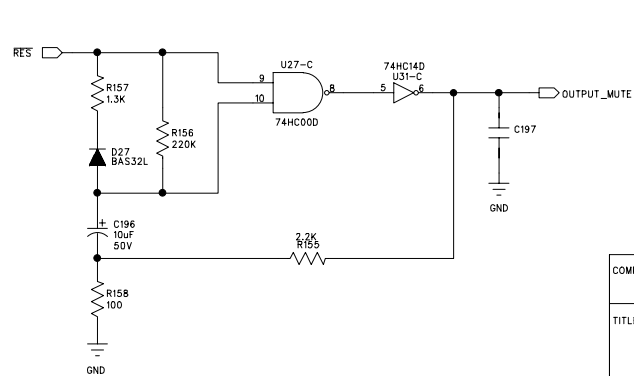
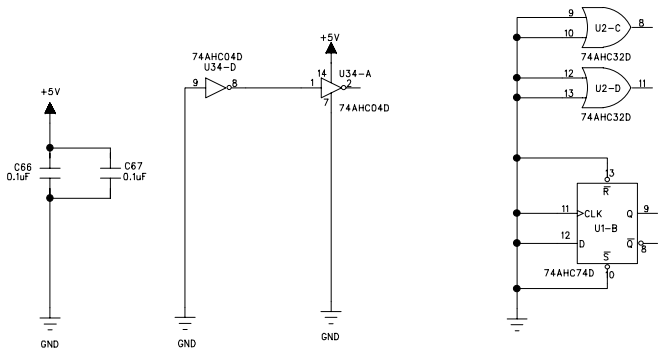
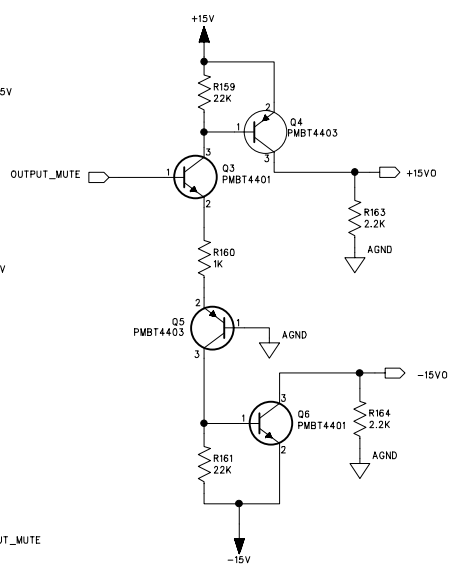
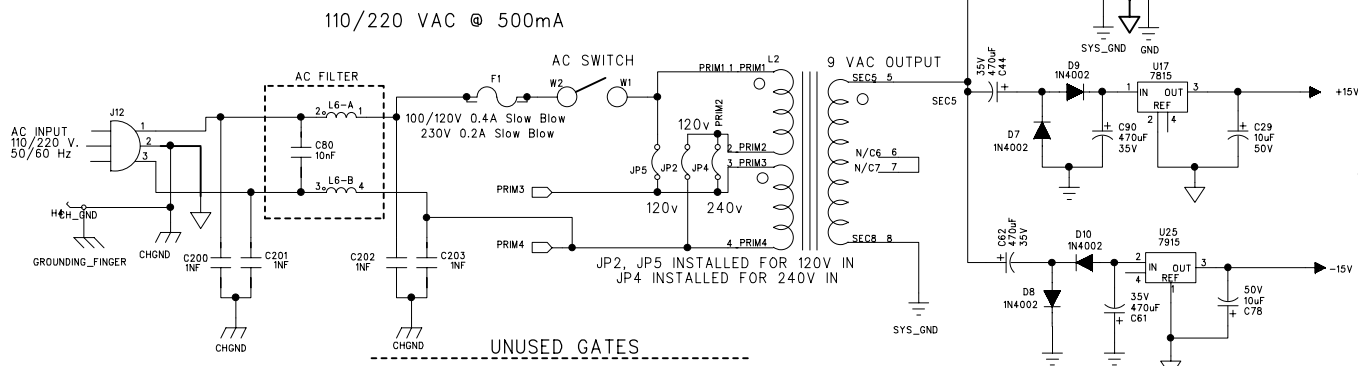
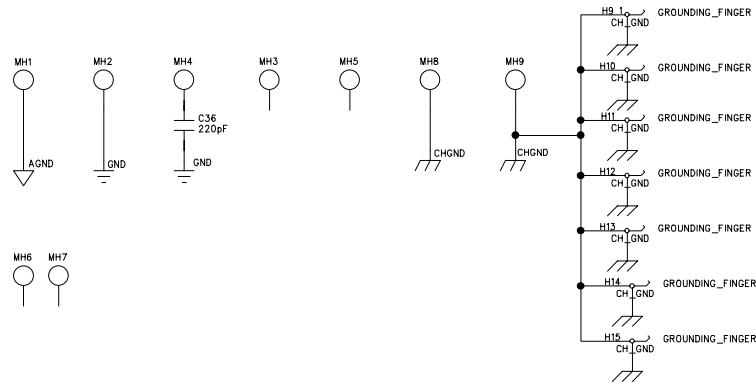
1

ECO# INCLUDED ON THIS SCHEMATIC/PCB REVISION		
ECO NO:	DATE:	DESCRIPTION:
		SEE PAGE 1



COMPANY:	LINE 6		
TITLE:	ROD/BOD MAIN BOARD BASS POD PRO/POD PRO		
PROGRAM:	PADS POWER LOGIC V3.0		
REV:	C		
DRAWN:	D.B.	DATED:	5/23/00
CHECKED:	D.C., T.P.	DATED:	3-20-00
FILENAME:	Data on Ffd/Clients/Ffd/Rod/Hardware/Schematics/ X-REVISIONS/POD PRO MAIN Rev.C.sch		
SCALE:	1:1	SIZE:	C
PART NUMBER:	35-00-0100		SHEET: 5 OF 6

ECO#s INCLUDED ON THIS SCHEMATIC/PCB REVISION		
ECO NO:	DATE:	DESCRIPTION:
		SEE PAGE 1



COMPANY:	LINE 6		
TITLE:	ROD/BOD MAIN BOARD BASS POD PRO/POD PRO		
PROGRAM:	PADS POWER LOGIC V3.0		REV:
			C
DRAWN:	DATED:	FILENAME:	SCALE: 1:1 SIZE: C PART NUMBER: 35-00-0100 SHEET: 6 OF 6
D.B.	5/23/00	Data on Ffd/Clients/Ffd/Rod/Hardware/Schematics/X-REVISIONS/POD PRO MAIN RevC.sch	
CHECKED:	DATED:		
T.P.	3-20-00		

6

5

4

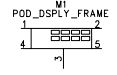
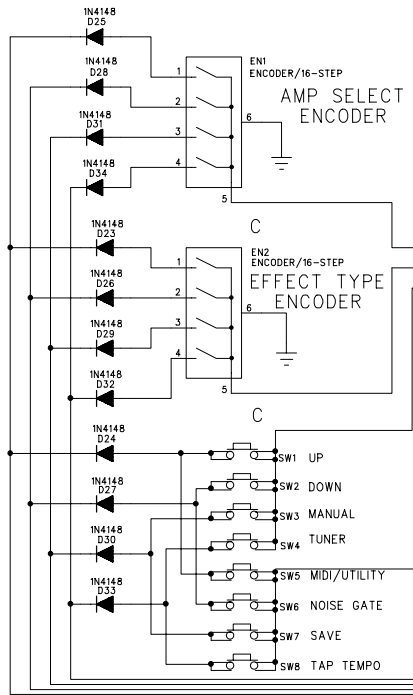
3

2

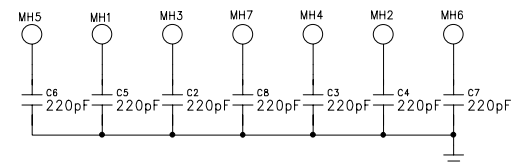
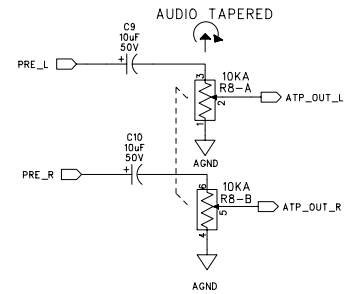
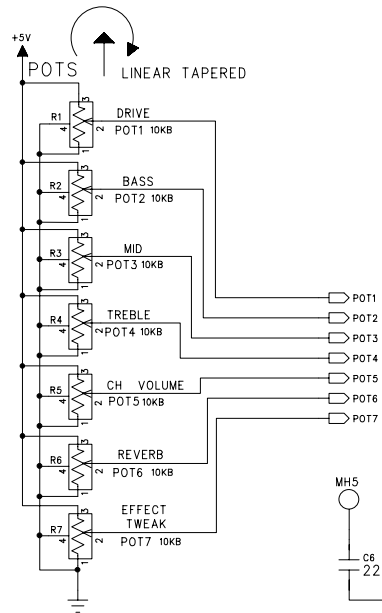
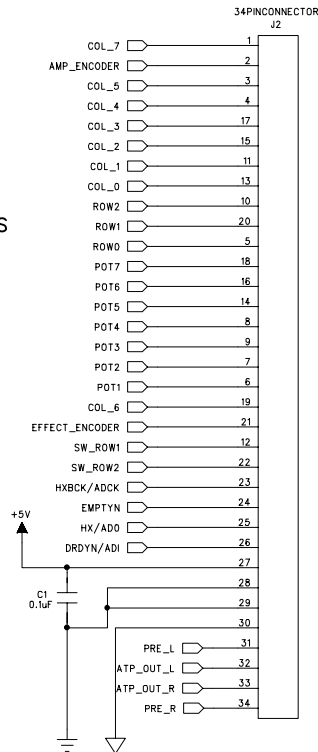
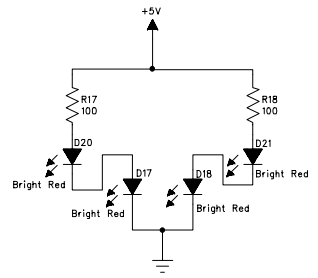
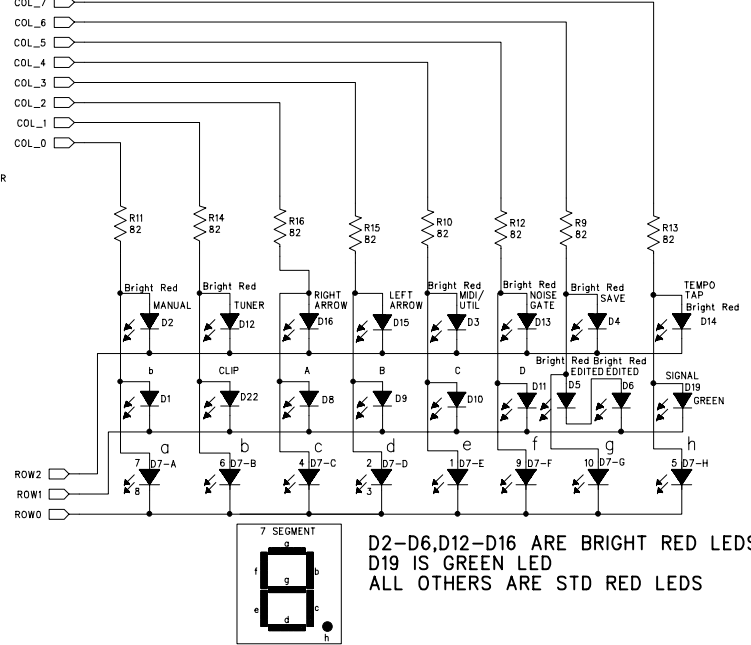
1

THE INFORMATION CONTAINED IN THIS DRAWING IS THE SOLE PROPERTY OF LINE 6 INC. ANY REPRODUCTION IN PART OR WHOLE WITHOUT THE WRITTEN PERMISSION OF LINE 6 INC. IS PROHIBITED

ECO# INCLUDED ON THIS SCHEMATIC/PCB REVISION		
ECO NO:	DATE:	DESCRIPTION:



LED CIRCUITRY



COMPANY:		LINE 6	
TITLE:		THE ROD FRONT	
PROGRAM:		PADS POWER LOGIC V3	
DRAWN: D.B.		DATED: MAR 6, 2000	
CHECKED: T.P.		SIZE: C	
FILENAME: Data on F:\d\Clients\Ffd\Rod\Hardware\Schematics\ROD FRONT RevC.sch		REV: C	
SCALE: 1:1		PART NUMBER: 35-00-0101	
SHEET: 1 OF 1			

6

5

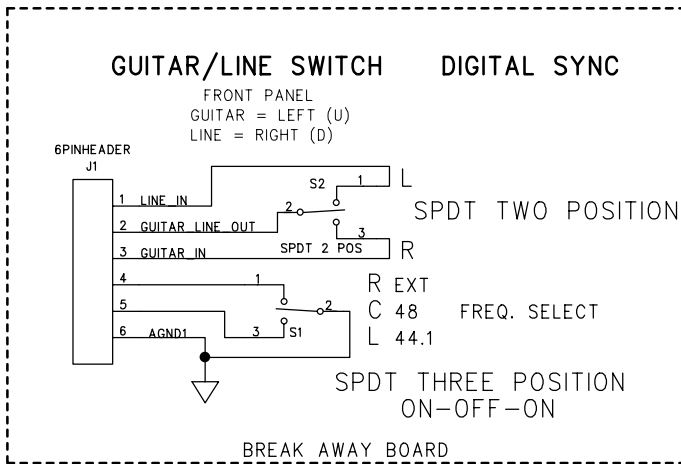
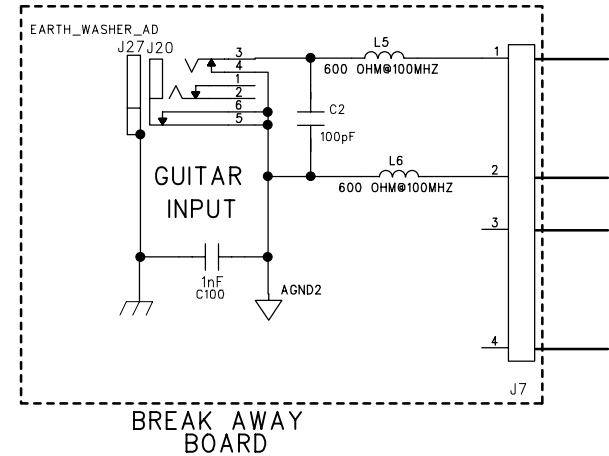
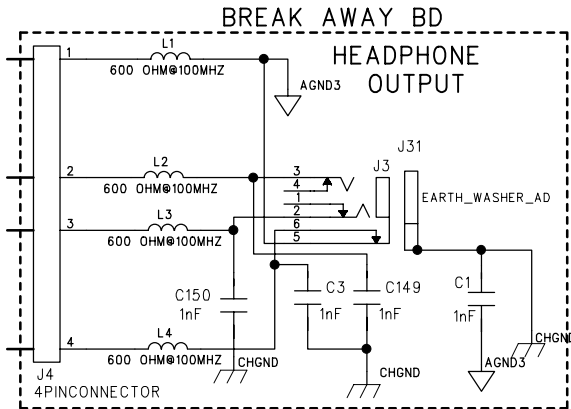
4

3

2

1

REVISION RECORD			
LTR	ECO NO:	APPROVED:	DATE:



COMPANY:		LINE 6	
TITLE:		ROD BREAKAWAY BOARD	
PROGRAM:		PADS POWER LOGIC V3.0	REV:
FILENAME:		Data on Data on Ffd/Clients/Ffd/Rod/Hardware/Schematics/ X REVISIONS/ROD BREAKAWAY.RevBX0.sch	BX0
SCALE: 1:1	SIZE: B	PART NUMBER: XX-XX-XXXX	SHEET: 1 OF 1

DRAWN: dfb	DATED: 2/17/00
CHECKED: Initials	DATED: Date

D

D

C

C

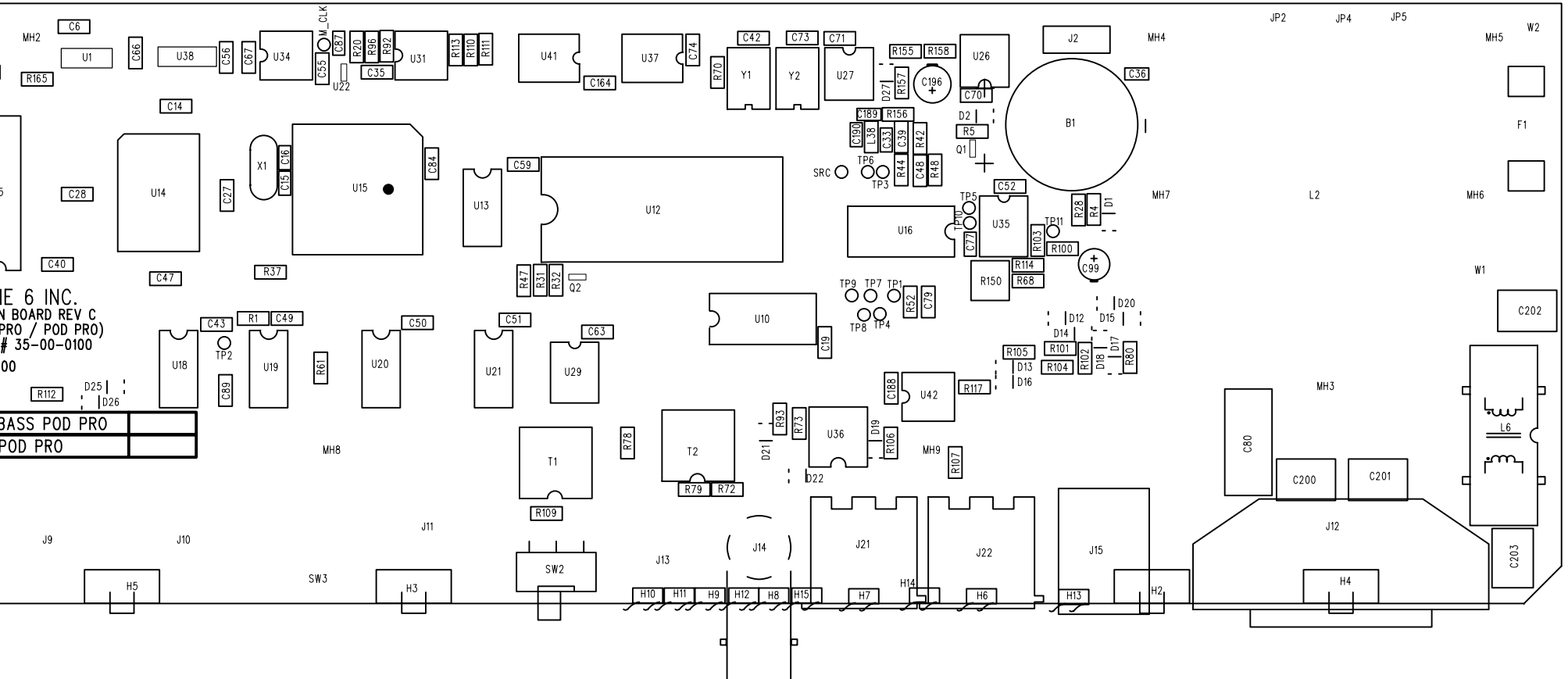
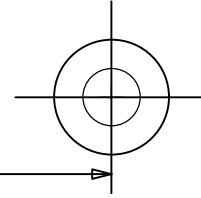
B

B

A

A

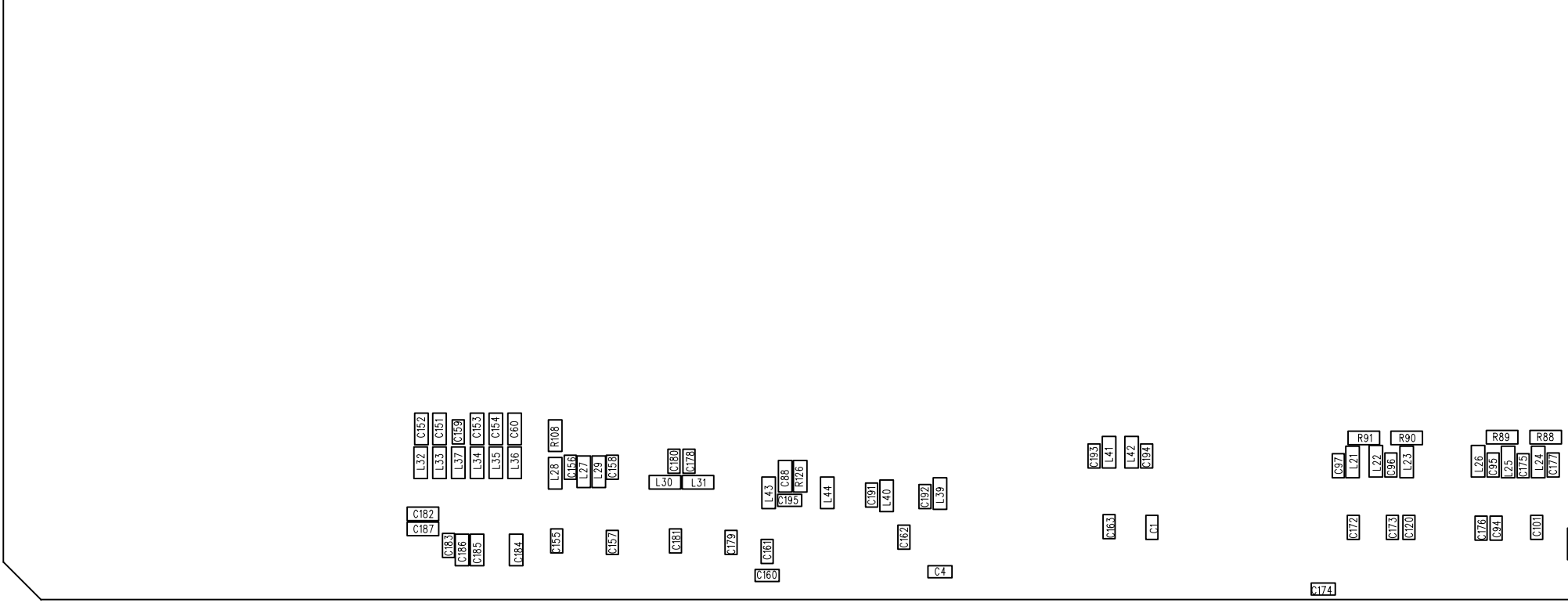
13000Mils



THE 6 INC.
BOARD REV C
PRO / POD PRO
35-00-0100

BASS POD PRO	
POD PRO	

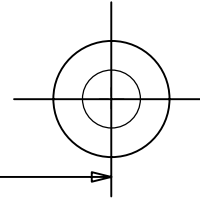
ASSEMBLY DRAWING TOP



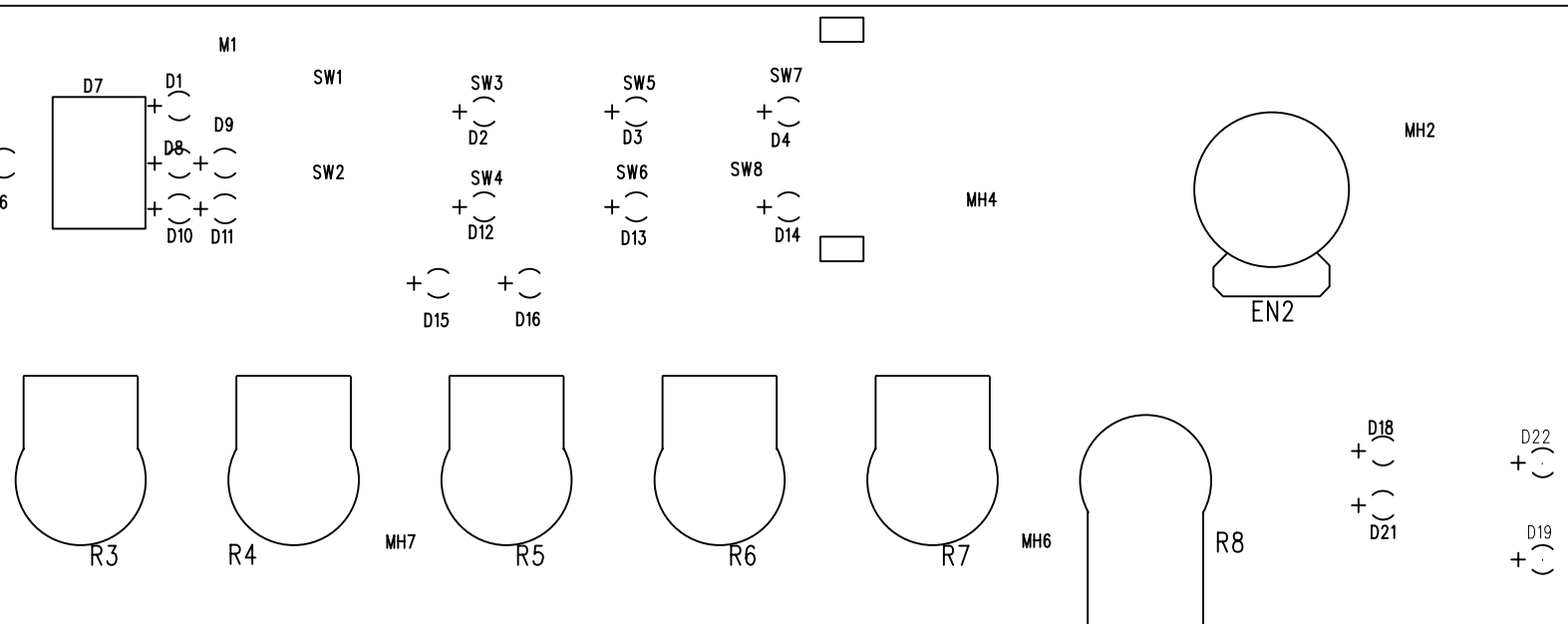
ASSEMBLY DRAWING BOTTOM

COMPANY: LINE 6 INC.	
PROGRAM: PADS POWER PCB 3.0	
FILE: G:/CLIENTS/FFD/RD/Hardware/bcd/REV C/POD_PRO_0100_Rev C.dcp	
SCALE: NONE	REV: C
DATE: JUNE 16, 2000	
TITLE: POD PRO MAIN BOARD	DRAWING NO: 35-00-0100

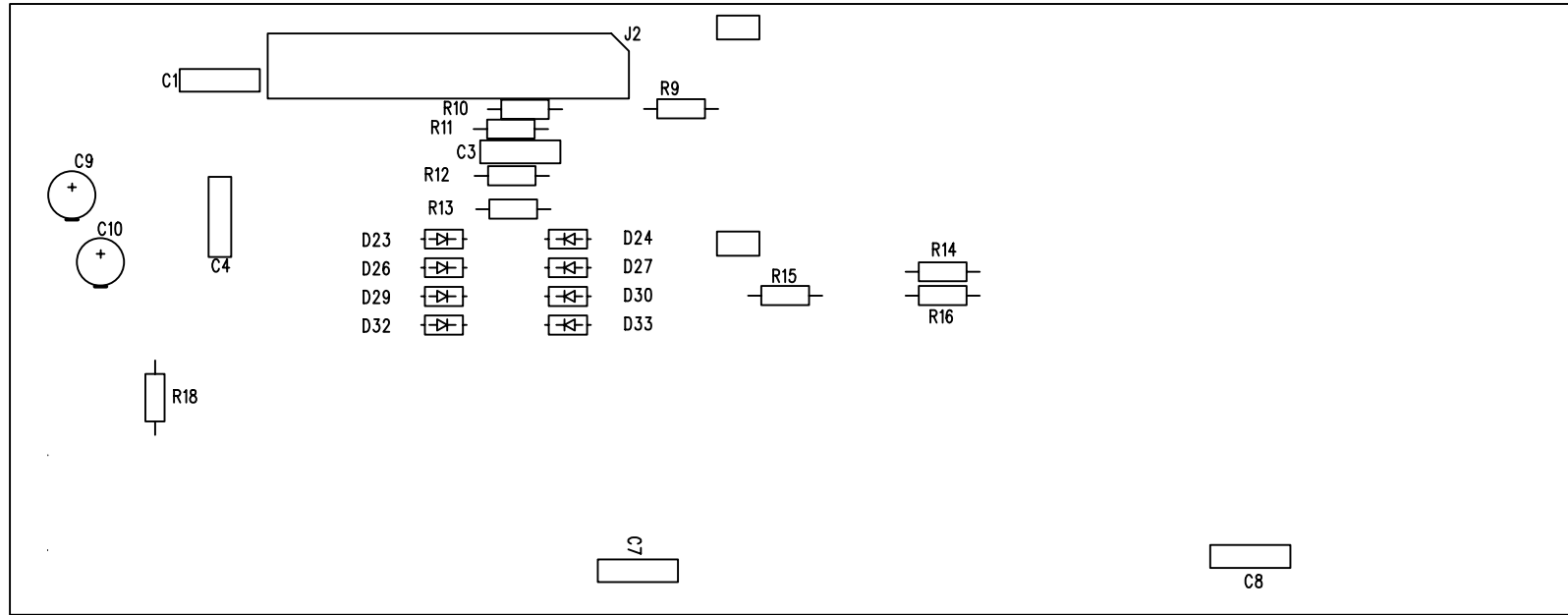
THE INFORMATION CONTAINED IN THIS DRAWING IS THE SOLE PROPERTY OF LINE 6 INC. ANY REPRODUCTION IN PART OR WHOLE WITHOUT THE WRITTEN PERMISSION OF LINE 6 INC. IS PROHIBITED



13000Mils



SILK SCREEN TOP

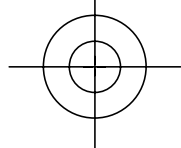
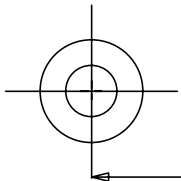


ASSEMBLY DRAWING BOTTOM

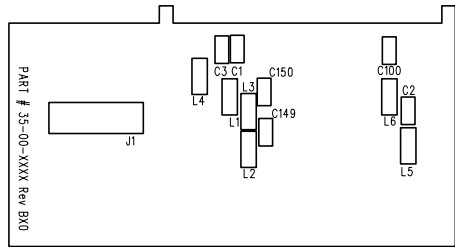
COMPANY:			LINE 6 INC.		
PROGRAM: PADS POWER PCB 3.0					
FILE: Data on Ffd\Clients\FFD\ROD\Hardware\Pcb\REV C\Rod Front RevC.pcb					
SCALE: NONE		REV: C		DATE: JULY 25, 2000	
TITLE: ROD FRONT BOARD				DRAWING NO: 35-00-0101	

COMPANY: LINE 6 INC.		
PROGRAM: PADS POWER PCB 3.0		
FILE: Data on Ffd\Clients\FFD\ROD\Hardware\Pcb\REV C\Rod Front RevC.pcb		
SCALE: NONE		REV: C
DATE: JULY 25, 2000		
DRAWING NO: 35-00-0101		TITLE: ROD FRONT BOARD

THE WRITTEN PERMISSION OF LINE 6 INC. IS PROHIBITED
 LINE 6 INC. ANY REPRODUCTION IN PART OR WHOLE WITHOUT
 THE INFORMATION CONTAINED IN THIS DRAWING IS THE SOLE PROPERTY OF



3000Mils

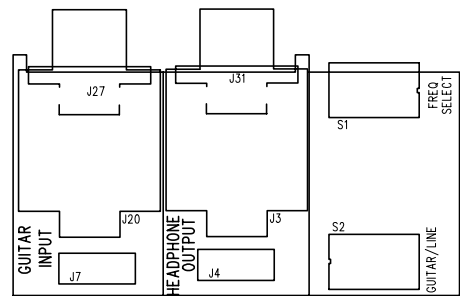
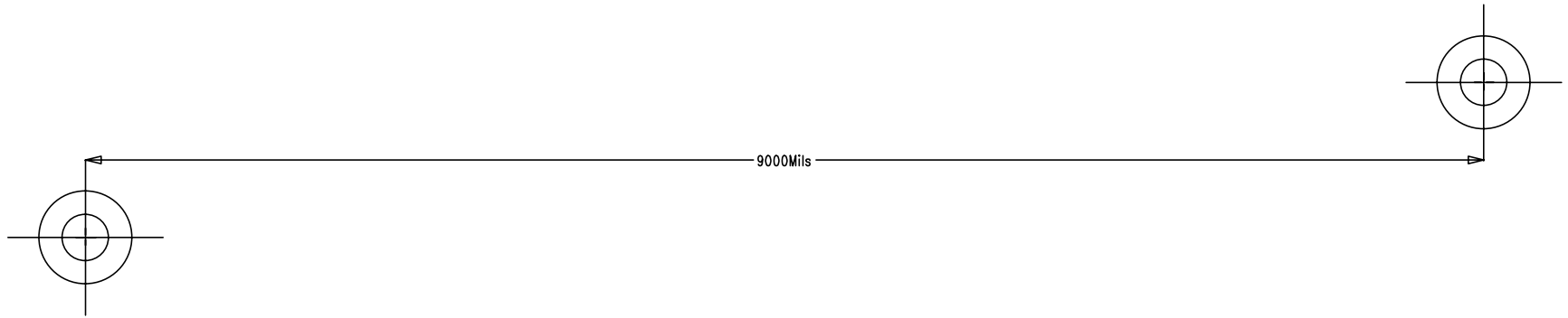


PART # 35-00-XXXX Rev. B10

SILKSCREEN BOTTOM

THE INFORMATION CONTAINED IN THIS DRAWING IS THE SOLE
 PROPERTY OF LINE 6 INC. ANY REPRODUCTION IN PART OR WHOLE
 WITHOUT THE WRITTEN PERMISSION OF LINE 6 INC. IS PROHIBITED

TITLE:		ROD BREAKAWAY BD.	
SCALE: 1:1	REV: B10	DATE: Feb 18, 2000	
FILE: g:/CLIENTS/FFD/RD/Hardware/pcb/Breakaway/X-Revision/RD Breakaway RevB10.pcb			
PROGRAM: PADS POWER PCB 3.0			
COMPANY:		LINE 6	



SILKSCREEN TOP

THE INFORMATION CONTAINED IN THIS DRAWING IS THE SOLE PROPERTY OF LINE 6 INC. ANY REPRODUCTION IN PART OR WHOLE WITHOUT THE WRITTEN PERMISSION OF LINE 6 INC. IS PROHIBITED

COMPANY:			LINE 6		
PROGRAM: PADS POWER PCB 3.0					
FILE: G:\CLIENTS\FDD\ROD\Hardware\pcb\Breakaway\X-Revisions\ROD Brerakaway RevBX0.pcb					
SCALE: 1:1	REV: BX0	DATE: Feb 18, 2000			
TITLE:			ROD BREAKAWAY BD.		

Bass POD Pro Parts List

Items: 99 BOD PRO US

Level	Seq	Component-Item	Component-Description	Qty-Per-Parent
		Parent Item: 99 BOD PRO US	Rack mount BOD, US version	
1		11-30-0300	Universal transformer, board mount	1.000000
			When ordering this transformer, remember to also order the cable tie; part# 30-24-0850	
			Ref: L2	
1		21-33-2004	CAB SIL 4-PIN 2mm 90mm F-F	1.000000
1		21-34-0012	CAB SIL 4-PIN 2mm 45mm F-F	1.000000
1		21-34-1806	Cable Assy, Earthing	1.000000
1		21-34-9002	CAB 1-cond 18AWG 184mm Bare-tinned Spade Lug T-F SHRD	1.000000
1		21-34-9003	CAB 1-COND 18AWG 184mm BARE-TINNED SPADE LUG T-F SHRD	1.000000
1		21-34-9006	CAB SIL 6-COND 24AWG 2mm 105mm Z-TYPE	1.000000
1		21-34-9034	CAB DIL 34-PIN 1.27mm 152.40mm RIBBON	1.000000
1		21-37-1160	CABLE,PWR UL/CSA,SJT,18awg,Blk EL-302 grnded plug,EL701 Sockt	1.000000
1		24-19-4000	FUSE 0.4A 250v slo-blo Littlefuse# H239-400 or equiv.	1.000000
1		24-21-0010	Frame keypad (POD)	1.000000
1		24-21-0011	Bezel keypad POD	1.000000
1		24-24-0606	Power Switch, Rocker - Spider	1.000000
1		24-30-0030	Keypad Rubber Bod	1.000000
1		30-00-0375	SCR 6-32 x .375 LG PHILLIPS PN H STL BLK OXIDE	18.000000
1		30-00-0500	SCR 10-32 x .500 LG SCH STL BL	4.000000

K OXIDE

1	30-00-0610	SCR 6-32 x 5/8 LG PHILLIPS PNH STL ZINC (W/ LK WASH)	14.000000
1	30-00-0633	NUT .305 HEX 6-32 STL BLK OXID E	1.000000
1	30-00-4250	Sheet metal screw, pan head, slf tap., w/ blk oxide, 4 x.250"	6.000000
1	30-00-8375	Sheet metal screw, pan head, slf tap., w/ blk oxide, 8 x.375"	2.000000
1	30-03-0060	Nylon Washer for #6 screw ID .140" OD 5/16 thick 1/32	7.000000
1	30-24-0850	CABLE TIE, 11.5 IN. LG, NYLON (XMFR) PANDUIT PLT3S ONLY	1.000000
1	30-42-0061	DIFFUSER POD 1.5 IN x 5.35 IN (CARDBOARD)	1.000000
1	30-42-0071	DIFFUSER PL ROD 1.0 IN x 1.0 I N (WHT PSLTC TRANSLUCENT)	2.000000
1	30-45-2000	KNOB PLASTIC	10.000000
1	30-51-3001	PANEL TOP CRS 20AWG BLK PWD COAT FINISH (POD PRO)	1.000000
1	30-51-3002	PANEL SIDE 6.27 x 3.21 20AWG CRS BLK PWD COAT FINISH, ROD	2.000000
1	30-51-3003	PANEL BOTTOM CRS 20AWG BLK PWD COAT FINISH (POD PRO)	1.000000
1	30-51-3014	Panel Back CRS 20AWG Blk Pwd coat w/artwork (Bass Pod Pro)	1.000000
1	40-00-0028	Universal Foam R/L BOD Pro	2.000000
1	40-00-0063	Users Manual, BOD PRO	1.000000
1	40-00-0079	Preset chart, Bass Pod	1.000000
1	40-10-0091	Shipping Carton BOD Pro	1.000000
1	40-20-0011	Plastic Bag, 10 x 16, 2 mil	1.000000

1	40-20-0090	Unit bag,Pod Pro,polyethalene 12" x 24" x 2 mil	1.000000
1	40-25-0003	Label, Transparent, 2", Upgd.	1.000000
1	40-25-0015	Label, Grounding, Pod Pro	1.000000
1	40-25-0020	Label, Quality Inspection	1.000000
1	40-25-0101	Label, Bar Code Serial Number 1 panel - LTX 16 1125502	1.000000
1	40-30-0020	Label,Gloss Duropoly 613 Silver 0.1W x 0.5L 2 across	2.000000
1	45-00-1073	EPROM,PROGRAMMED,BASS POD PRO	1.000000
2	15-26-1000 TH	IC EPROM 1M 70ns 32-PIN 27C010	1.000000
1	50-00-2040	BOD Pro Main PCBA Assembly, Rear Location	1.000000
2	01-04-0101	RES 100R 1/8W 5% 1206 SM	4.000000
2	01-04-0102	Ref: R23,R35,R46,R158 RES 1K 1/8W 5% 1206 SM	28.000000
2	01-04-0103	Ref: R1,R29-31,R37,R47,R50,R54-57,R60-62,R65,R71,R80,R84,R95 R98-99,R124,R137,R145-147,R160,R165 RES 10K 1/8W 5% 1206 SM	16.000000
2	01-04-0104	Ref: R5,R8,R9,R14,R15,R20,R40,R70,R73,R92,R96,R114-115,R117,R126 R162 RES 100K 1/8W 5% 1206 SM	4.000000
2	01-04-0105	Ref: R58-59,R122,R135 RES 1M 1/8W 5% 1206 SM	1.000000
2	01-04-0110	Ref: R6 RES 110R 1/8W 5% 1206 SM	1.000000
2	01-04-0132	Ref: R78 RES 1.3K 1/8W 5% 1206 SM	1.000000

2	01-04-0150	Ref: R157 RES 15R 1/8W 5% 1206 SM	6.000000
2	01-04-0152	Ref: R7,R21,R24-25,R42,R166 RES 1.5K 1/8W 5% 1206 SM	3.000000
2	01-04-0162	Ref: R38-39,R41 RES 1.6K 1/8W 5% 1206 SM	4.000000
2	01-04-0163	Ref: R49,R53,R94,R144 RES 16K 1/8W 5% 1206 SM	2.000000
2	01-04-0182	Ref: R151,R153 RES 1.8K 1/8W 5% 1206 SM	1.000000
2	01-04-0202	Ref: R44 RES 2K 1/8W 5% 1206 SM	3.000000
2	01-04-0221	Ref: R75,R87,R100 RES 220R 1/8W 5% 1206 SM	3.000000
2	01-04-0222	Ref: R106-108 RES 2.2K 1/8W 5% 1206 SM	3.000000
2	01-04-0223	Ref: R155,R163,R164 RES 22K 1/8W 5% 1206 SM	8.000000
2	01-04-0224	Ref: R64,R66-67,R77,R81-82,R159,R161 RES 220K 1/8W 5% 1206 SM	2.000000
2	01-04-0302	Ref: R123,R136 RES 3K 1/8W 5% 1206 SM	2.000000
2	01-04-0334	Ref: R101,R105 RES 330K 1/8W 5% 1206 SM	1.000000
2	01-04-0362	Ref: R63 RES 3.6K 1/8W 5% 1206 SM	1.000000
2	01-04-0392	Ref: R68 RES 3.9K 1/8W 5% 1206 SM	4.000000

2	01-04-0470	Ref: R27,R51,R76,R86 RES 47R 1/8W 5% 1206 SM	8.000000
2	01-04-0471	Ref: R10-13,R16-19 RES 470R 1/8W 5% 1206 SM	5.000000
2	01-04-0472	Ref: R32,R93,R102,R104,R148 RES 4.7K 1/8W 5% 1206 SM	1.000000
2	01-04-0473	Ref: R28 RES 47k 1/8w 5% 1206 SM	3.000000
2	01-04-0511	Ref: R48,R52,R103 RES 510R 1/8W 5% 1206 SM	4.000000
2	01-04-0513	Ref: R22,R36,R74,R83 RES 51K 1/8W 5% 1206 SM	2.000000
2	01-04-0561	Ref: R129,R140 RES 560R 1/8W 5% 1206 SM	1.000000
2	01-04-0562	Ref: R4 RES 5.6K 1/8W 5% 1206 SM	2.000000
2	01-04-0622	Ref: R152,R154 RES 6.2K 1/8W 5% 1206 SM	2.000000
2	01-04-0681	Ref: R33,R43 RES 680R 1/8W 5% 1206 SM	5.000000
2	01-04-0912	Ref: R34,R88-91 RES 9.1K 1/8W 5% 1206 SM	2.000000
2	01-08-0163	Ref: R26,R45 RES 16K 5%, 1/8W TH	1.000000
2	01-12-0000	Ref: JP3 RES 0R 1/4W 5% DIP TH	3.000000
2	01-28-1002	Ref: L39-41 RES 10K 1/8W 1% 1206 SM	1.000000
2	01-28-1241	Ref: R110 RES 1.24K 1/8W 1% 1206 SM	1.000000

2	01-28-1823	Ref: R113 RES 182K 1/8W 1% 1206 SM	1.000000
2	01-28-1872	Ref: R149 RES 18.7K 1/8W 1% 1206 SM	2.000000
2	01-28-2002	Ref: R118,R127 RES 20K 1/8W 1% 1206 SM	1.000000
2	01-28-2491	Ref: R111 RES 2.49K 1/8W 1% 1206 SM	1.000000
2	01-28-3242	Ref: R112 RES 32.4K 1/8W 1% 1206 SM	1.000000
2	01-28-3243	Ref: R2 RES 324K 1/8W 1% 1206 SM	2.000000
2	01-28-3740	Ref: R116,R121 RES 374R 1/8W 1% 1206 SM	1.000000
2	01-28-4022	Ref: R79 RES 40.2K 1/8W 1% 1206 SM	4.000000
2	01-28-4222	Ref: R120,R125,R134,R138 RES 42.2K 1/8W 1% 1206 SM	2.000000
2	01-28-4871	Ref: R119,R133 RES 4.87K 1/8W 1% 1206 SM	4.000000
2	01-28-4991	Ref: R130,R132,R141,R143 RES 4.99K 1/8W 1% 1206 SM	1.000000
2	01-28-90R9	Ref: R109 RES 90.9R 1/8W 1% 1206 SM	1.000000
2	01-28-9763	Ref: R72 RES 976K 1/8W 1% 1206 SM	4.000000
2	01-52-0103	Ref: R128,R131,R139,R142 POT TRIM 10K SINGLE-TURN TOP-A DJ 6.8x8.4x10MM 3306F-1-103 Ref: R150	1.000000

2	03-01-0103	CAP 10nF 250V 20% CER DISC TH	1.000000
2	03-12-0338	Ref: C80 CAP 3300uF 16V 20% RAD ELEC TH	1.000000
2	03-14-0107	Ref: C24 CAP 100uF 25V 20% RAD ELEC TH	2.000000
2	03-14-0471	Ref: C3,C5 CAP 470pF 25V 20% RAD ELEC TH	6.000000
2	03-14-0477	Ref: C166-167,C178-181 CAP 470uF 25V 20% RAD ELEC TH	4.000000
2	03-18-0105	Ref: Use on deviation until phase in of eo# 401. See designators C44,C61-C62, C90 CAP 1uF 50V 20% RAD ELEC TH	5.000000
2	03-18-0106	Ref: C9,C18,C21,C99,C131 CAP 10uF 50V 20% RAD ELEC TH	16.000000
2	03-45-0153	Ref: C20,C22,C26,C29-30,C34,C37,C78,C128,C133-134,C136,C138,C140 C142,C196 CAP 15nF 16V 20% 1206 FILM SM	2.000000
2	03-45-0473	Ref: C11,C38 CAP 47nF 16V 20% 1206 FILM SM	2.000000
2	03-46-0104 X7R	Ref: C10,C81 CAP 0.1uF 50V 20% 1206 SM	64.000000
2	03-52-0100 X7R	Ref: C6-7,14,19,23,25,27-28,35,40-43,47-52,55-56,59-60,63,66-74 C79,82,84,88-89,109,115-116,124-125,127,130,132,135,137,139 C141,143,151-154,164,182,184-188,198-199 CAP 10pF 50V 20% 0805 SM	2.000000
2	03-52-0101 X7R 08055A101KATMA	Ref: C112,C121 CAP 100 pF 50V 20% 0805 SM	8.000000
2	03-52-0102 X7R	Ref: C8,C76,C86,C98,C165,C189-190,C197 CAP 1nF 50V 20% 0805 SM	34.000000
		Ref: C17,C32,C53-54,C57,C65,C85,C93-97,C101,C120,C145,C155-C161, C168-C177,C183,C191-195.	

2	03-52-0152 X7R	CAP 1.5nf 50v 20% 0805 SM		2.000000
		Ref: C106,C118		
2	03-52-0220 X7R	CAP 22pF 50V 20% 0805 SM		4.000000
		Ref: C15-16,C87,C103		
2	03-52-0221 X7R	CAP 220pF 50V 20% 0805 SM		8.000000
		Ref: C31,C36,C83,C91-92,C126,C147-148		
2	03-52-0222 X7R	CAP 2.2nF 50V 20% 0805 SM		2.000000
		Ref: C46,C75		
2	03-52-0223 X7R	CAP 22nF 50V 20% 0805 SM		6.000000
		Ref: C2,C102,C104,C107,C110-111		
2	03-52-0224 X7R	CAP .22uf 25V 20% 0805 SM		2.000000
		Ref: C45,C129		
2	03-52-0331 X7R	CAP 330pF 50v 20% 0805 SM		8.000000
		Ref: C105,C108,C113-114,C117,C119,C122-123		
2	03-52-0332 X7R	CAP 3.3nF 50V 20% 0805 SM		2.000000
		Ref: C64,C144		
2	03-52-0391 X7R	CAP 390pF 50V 20% 0805 SM		1.000000
		Ref: C77		
2	03-52-0473 X7R	CAP 47nF 50V 20% 0805 SM		2.000000
		Ref: C12-13		
2	03-52-0474 X7R	CAP .47uF 25V 20% 0805 SM		1.000000
		Ref: C39		
2	03-52-0683 X7R	CAP 68nF 50V 20% 0805 SM		3.000000
		Ref: C204-206		
2	03-52-0822 X7R	CAP 8.2nF 50V 20% 0805 SM		1.000000
		Ref: C33		
2	03-75-0102 Panasonic	CAP 1nf 250v 20% CER TH ECK-ATS102MF		4.000000
		Ref: C200-203		
2	06-04-4002	DIODE POWER 1N4002 TH	Ref: D7-11	5.000000

2	06-20-4148 SM	DIODE SMALL-SIGNAL 4148 DL-35	20.000000
		Ref: D1-4,D12-27	
2	06-28-0310 LIPS-L5226B	DIODE ZENER 3.3V DL-35 SM PHIL	2.000000
		Ref: D5-6	
2	09-10-4401 SM	TRANS NPN SMALL-SIGNAL 2N4401	4.000000
		Ref: Q1-3,Q6	
2	09-10-4403 SM	TRANS PNP SMALL-SIGNAL 2N4403	2.000000
		Ref: Q4-5	
2	11-00-1128 SM	CRYSTAL 11.2896Mhz 4-PIN SOJ	1.000000
		Ref: Y1	
2	11-00-1198 HC-49/u holder	Crystal Osc 11.98080MHz	1.000000
		Ref: X1	
2	11-00-1228 4-pin SOJ	Crystal Osc 12.288Mhz	1.000000
		Ref: Y2	
2	11-10-0601 1206	BEAD FERRITE 600R @100mHZ SM	38.000000
		Ref: L7-44	
2	11-33-0120 UT15612S	Pulse transformer, Rod, mfg p/n	2.000000
		Ref: T1,T2	
2	11-40-0030	BATTERY LITHIUM 3V BR2325-1HG	1.000000
		Ref: B1	
2	12-02-7805	IC REG +5v 1.5 Amp TH	2.000000
		Ref: U8,U32	
2	12-02-7815	IC REG +15V 1AMP TH	1.000000
		Ref: U17	
2	12-02-7915	IC REG -15V 1AMP TH	1.000000
		Ref: U25	
2	12-54-0072	IC OP-AMP DUAL TL072D SM	1.000000
		Ref: U33	

2	12-54-0074	IC OP-AMP TL074 SM	3.000000
		Ref: U30,U39-40	
2	12-54-0084	IC OP AMP Quad TL084CD SM mfg p/n# TL084CD	2.000000
		Ref: U3-4	
2	12-54-2134	IC OP-AMP DUAL OPA2134VA SM	1.000000
		Ref: U7	
2	12-54-4393	IC REG 28V AK4393 SM	1.000000
		Ref: U11	
2	12-54-5538	IC OP-AMP DUAL NE5532D8 SM	3.000000
		Ref: U9,U24,U28	
2	12-64-0542	IC CONVERTER A/D 8-BIT TLC542 SM	1.000000
		Ref: U18	
2	12-64-5383	24 Bit, 96 khz, ic adc, mfg p/n# AK5383	1.000000
		Ref: U23	
2	15-26-1000	IC EPROM 1M 70ns 32-PIN 27C010 TH	1.000000
		Ref: U12	
2	15-40-6138	IC OPTO-ISOLATOR 6N138 TH	1.000000
		Ref: U36	
2	15-50-0002	IC, Surface mount, mfg p/n# 74HC00D	1.000000
		Ref: U27	
2	15-50-0004	IC 74AHC04D INVERTER-HEX SIN SM	1.000000
		Ref: U34	
2	15-50-4046	IC, surface mount, mfg p/n# 74HCT4046AD (Philips only)	1.000000
		Ref: U35	
2	15-62-0014	IC 74HC14 INVERTER-HEX SIN 1-IN SM	2.000000
		Ref: U31,U42	
2	15-62-0138	IC 74HC138 INVERTING-DECODER 3-8 LINE SM	1.000000
		Ref: U29	
2	15-62-0161	IC 74HC161 COUNTER BINARY 4-BIT SM	1.000000
		Ref:U37	

2	15-62-0163	IC, Surface mount, CMOS, mfg p/n# 74HC163	1.000000
		Ref: U38	
2	15-62-0165	IC 74HC165 SHIFT-REGISTER PARLL-IN/SERIAL-OUT SM	1.000000
		Ref: U41	
2	15-62-0273	IC 74HC273 FLIP-FLOP D-TYPE 8-BIT SM	2.000000
		Ref: U20-21	
2	15-62-0393	IC 74HC393 COUNTER BINARY DUAL 4-BIT SM	1.000000
		Ref: U26	
2	15-62-0573	IC 74HC573 BUFFER INVERTING 8-BIT SM	1.000000
		Ref: U13	
2	15-66-0273	IC OCTAL-LATCH D-TYPE TRANS TPIC6B273 SM	1.000000
		Ref: U19	
2	15-70-6256	DRAM FLEXTONE ISSI P/N IS4IC16257-35K	1.000000
		Ref: U5	
2	15-72-0256	IC SRAM 32K X 8 CY62256LL-70SNC 0024 623249	1.000000
		Ref: U10	
2	15-84-8031	IC MPU 80C31 SM	1.000000
		Ref: U15	
2	15-86-7070	IC DSP TMS57070FFT SM	1.000000
		Ref: U14	
2	15-86-8420	IC, Digital Audio Sample Rate Converter, Rod, Mfg# CS8420	1.000000
		Ref: U16	
2	15-92-1812	RESET CHIP DS1812R-5/T&R	1.000000
		Ref: U22	
2	21-00-4420	JACK 1/4" EARTHING-WASHER JB0661-K01-3	6.000000
		Ref: J8,J25-31	
2	21-00-6616	JACK 1/4" STEREO FEMALE PCB-MN 6-PIN FLUSH	6.000000

Ref: J16-19,J23-24

2	21-02-0008	JACK RCA 3-PIN FEMALE PCB-MNT RIGHT-ANG AKY-008	1.000000
		Ref: J13	
2	21-04-5075	JACK DIN 5-PIN FEMALE MIDI PCB-MNT RT-ANG LN 05075	2.000000
		Ref: J21-22	
2	21-06-0520	CON BNC PCB-MNT 591-071-00	1.000000
		Ref: J14	
2	21-08-0013	JACK XLR MALE NEUTRIK-NC3MAH	3.000000
		Ref: J9-J11	
2	21-14-0001	JACL AC 3-PIN MALE PCB-MNT RT-ANG GND SS-7B-1	1.000000
		Ref: J12	
2	21-16-0045	JACK RJ-45 8-PIN FEMALE PCB-MNT RT-ANG	1.000000
		Ref: J15	
2	21-20-0003	HDR SIL 3-PIN MALE PCB-MNT SINGATRON 2018P03VU000	3.000000
		Ref: JP1,JP6,JP7	
2	21-20-0204	HDR SIL 4-PIN 2mm SHRD	2.000000
		Ref: J1,J2	
2	21-20-0206	Header, 6-pin	1.000000
		Ref: J5	
2	21-20-1033	HDR DIL 34-PIN 2mm SHRD MALE	1.000000
		Ref: J6	
2	21-20-2002	JUMPER BLOCK 2-PIN FEM LEOCO 3050SU0001	3.000000
		Ref: JP1,JP6,JP7	
2	21-42-0032	Socket 32 pin th	1.000000
		Ref: U12	
2	21-48-9521	FUSE HOLDER CLIP p/n 19521	2.000000
		Ref: F,F1	
2	21-50-0312	RECEPTACLE SINGLE-PIN XFMR MILL-MAX 0312-0-15-01-34-01100	8.000000
		Ref: L2.	
2	24-09-0222	DPDT SWITCH SK-22H03 Ref:SW3	1.000000

2	24-09-0422	4PDT SWITCH 42MS2R1	1.000000
		Ref: SW1	
2	24-19-2230	Fuse, .4 amp, 250 volt max, Littlefuse# H218 400 or equiv.	1.000000
		Ref: ECO# 25901 pending.	
2	24-24-3001	Switch SPDT side right angle	1.000000
		Ref: SW2	
2	30-00-0607	SCR 6-32 x 7/16 LG PHILLIPS PN H STL ZINC (W/ LK WASH)	1.000000
		Ref: H1	
2	30-06-0623	6-32 nut w/captive star washer	1.000000
		Ref: H1, ECO# 5201	
2	30-51-0057	HEAT SINK, BLACK ANODIZED AL, WAKEFIELD #297-1AB	1.000000
		Ref: H1	
1	50-00-2041	BOD Pro Front PCBA Assembly, Front Location	1.000000
2	01-12-0101	RES 100R 1/4W 5% DIP TH	4.000000
		Ref: R17 - R20	
2	01-12-0820	RES 82R 1/4W 5% DIP TH	8.000000
		Ref: R9 - R16	
2	01-48-0103	POT 10K MONO LINEAR D-SHAFT-25 mm	7.000000
		Ref: R1 - 7	
2	01-48-5103	POT 10KA DUAL 25MM STEREO R161 0G-CC3A10K	1.000000
		Ref: R8	
2	03-00-0104	CAP 100nF 50V 20% CER DISC TH	1.000000
		Ref: C1	
2	03-00-0221	CAP 220pf 50V 20% CER DISC TH ceramic 70ml lead length	7.000000
		Ref: C2-C8	
2	03-18-0106	CAP 10uF 50V 20% RAD ELEC TH	2.000000
		Ref: C9,C10	

2	06-00-4148	DIODE SMALL-SIGNAL 1N4148 4.0n S 100V TH	12.000000
		Ref: D23-D34	
2	18-00-0314	RED LED TH SLX-LX3054ID	8.000000
		Ref: D1, D8-11, D15-16, D22	
2	18-00-3044	Red LED SSL-LX3044SRC/E	12.000000
		Ref: D2-6, D12-14, D17-18, D20-21	
2	18-04-3044	Led, green, thru hole, Digi-key Lumex #SSL-LX3044GD5V	1.000000
		Ref: D19	
2	18-10-0001	1 digit 7 segment red LED TH SC56-11SRWA	1.000000
		Ref: D7	
2	21-20-1033	HDR DIL 34-PIN 2mm SHRD MALE	1.000000
		Ref: J2	
2	24-12-0025	ENCODER SHAFT 16 STEP	2.000000
		Ref: EN1, EN2	
2	30-12-9360	STDF 7.14MM O.D. 3.6MM THRU HO LE 10MM LG STL	7.000000
		Ref: MH1-MH7	
2	30-15-0450	SPCR, LED, .450 H x .145 O.D., (ELM 4-450)	2.000000
1	50-00-2042	BOD Pro Toggle Switch PCBA	1.000000
2	21-20-0206	Header, 6-pin	1.000000
		Ref: J1	
2	24-03-0102	Single pull, double throw, 2 position(on-on) toggle switch	1.000000
		Ref: S2	
2	24-03-0103	Single pull, double throw, 3 pos.(on-off-on) toggle switch	1.000000
		Ref: S1	

1	50-00-2043	BOD Pro Guitar Input PCBA	1.000000
2	03-52-0221	CAP 220pF 50V 20% 0805 SM X7R	1.000000
		Ref: C100	
2	21-00-4420	JACK 1/4" EARTHING-WASHER JB0661-K01-3	1.000000
		Ref: J20	
2	21-00-6617	JACK 1/4" STEREO W/CHROME NUTS & WASHERS	1.000000
		Ref: J20	
2	21-20-0204	HDR SIL 4-PIN 2mm SHRD	1.000000
		Ref: J7	
1	50-00-2044	BOD Pro Headphone Output PCBA	1.000000
2	03-52-0101	CAP 100 pF 50V 20% 0805 SM X7R 08055A101KATMA	2.000000
		Ref: C149,C150	
2	03-52-0221	CAP 220pF 50V 20% 0805 SM X7R	1.000000
		Ref: C146	
2	21-00-4420	JACK 1/4" EARTHING-WASHER JB0661-K01-3	1.000000
		Ref: J3	
2	21-00-6617	JACK 1/4" STEREO W/CHROME NUTS & WASHERS	1.000000
		Ref: J3	
2	21-20-0204	HDR SIL 4-PIN 2mm SHRD	1.000000
		Ref: J4	
1	50-00-3006	Front Face Assy, BOD Pro Complete Assy	1.000000



Service Dept.

6033 De Soto Ave.

Woodland Hills, CA 91367

P. 818-575-3600

F. 818-676-1585

E. service@line6.com

Procedure for reinitialization of Bass POD Pro(Hard reset)

Power unit up while holding down the up and down arrow buttons. Hold for 3 seconds and then release. Factory presets will be re-installed.

Procedure for identifying firmware version of Bass POD Pro

Power unit up while holding down the “manual” button. LED display will read out full number.