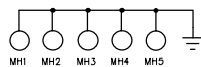
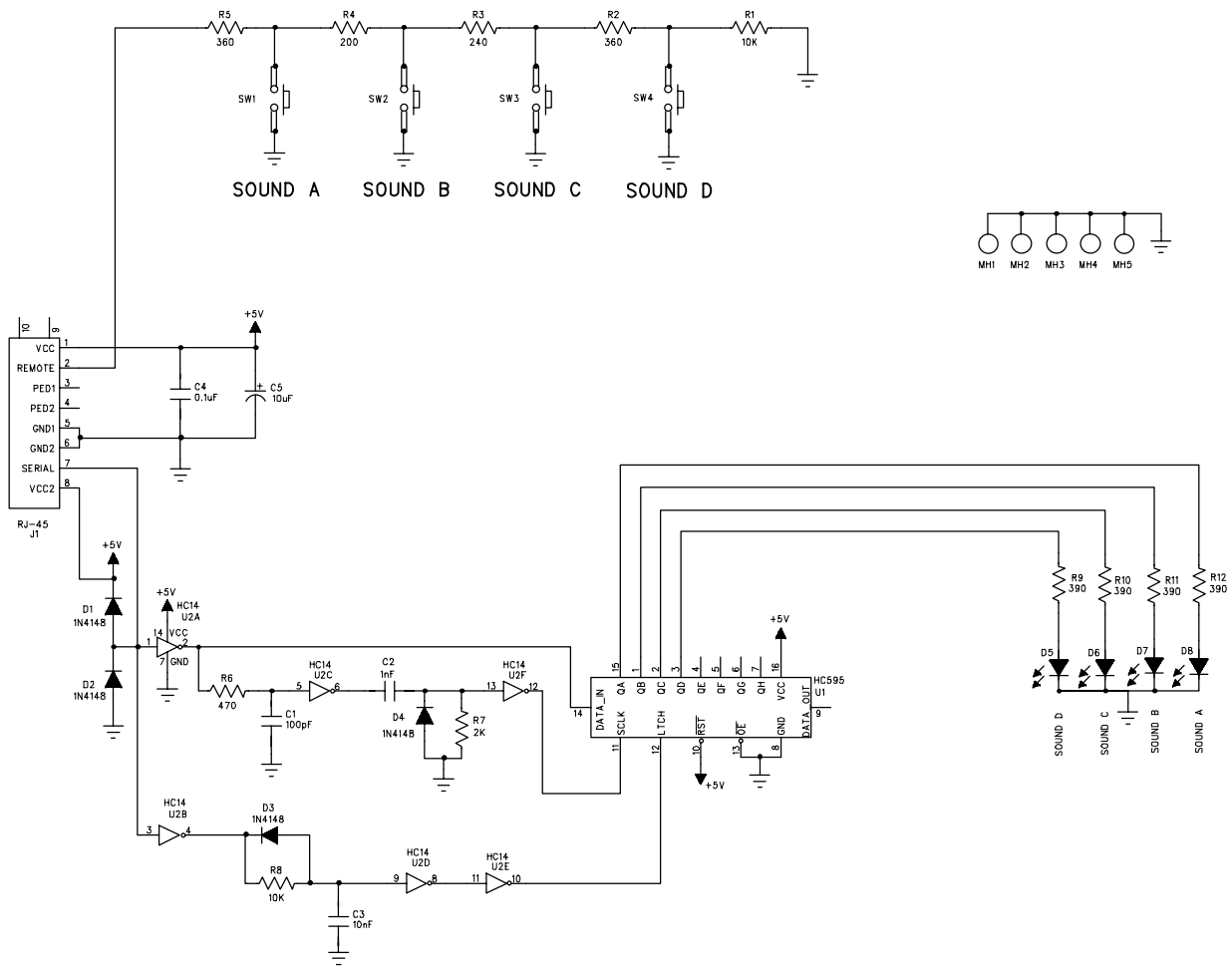


ECO# INCLUDED ON THIS SCHEMATIC/PCB REVISION		
ECO NO:	DATE:	DESCRIPTION:
2	3/6/98	Decreased pad size on tact switches so that the mounting screw hex nut won't touch the tact switch pads.



COMPANY:	LINE 6		
TITLE:	FB4		
PROGRAM:	PADS POWER LOGIC V1.1		REV: B
DRAWN: EVP	DATED: March 6, 1998	FILENAME: Data on Ftd/Clients/Ftd/Ftd/PADS/Schematics/FB4 RevB.sch	
CHECKED: MD	DATED: MO Day, Year	SCALE: 1:1 SIZE: C PART NUMBER: 35-00-0040B	SHEET: 1 OF 1

FB 4 Parts List

Including: Reference Designators

Level	Seq	Component-Item	Component-Description	Opr	UOM				Qty-Per-Parent
=====									
Parent Item:	99	FB4 FT PEDAL	FB4 FOOT PEDAL	Loc:	L6M LLC:	0			
1	10	21-33-2008	CABLE REMOTE RJ 45 LAN, 25'	0	EA	.0	A	Y	1.000000
1	20	24-32-0108	SWITCH ACTUATOR	0	EA	.0	A	Y	4.000000
1	30	30-00-1632	6-32x3/8 philips panhead screw taptite black	0	EA	.0	A	Y	10.000000
1	35	30-03-6836	WASHER FOR PEDAL NYLON 1/32	0	EA	.0	A	Y	2.000000
1	40	30-06-0623	6-32 nut w/captive star washer	0	EA	.0	A	Y	5.000000
1	50	30-15-0687	SPACER FOR PCBA FB4	0	EA	.0	A	Y	5.000000
1	60	30-27-0040	FB4 PLASTIC END CAP LEFT	0	EA	.0	A	Y	1.000000
1	70	30-27-0041	FB4 PLASTIC END CAP RIGHT	0	EA	.0	A	Y	1.000000
1	80	30-42-0040	Overlay, FB4	0	EA	.0	A	Y	1.000000
1	90	30-51-0044	Extrusion, FB4	0	EA	.0	A	Y	1.000000
1	100	30-51-0045	Metal Top Plate, FB4	0	EA	.0	A	Y	1.000000
1	110	30-75-0001	PEDAL RUBBER TOP	0	EA	.0	A	Y	1.000000
1	120	40-00-0040	Manual, User's, FB4	0	EA	.0	A	Y	1.000000
1	130	40-00-1000	Line 6 Warranty Information Ca rd	0	EA	.0	A	Y	1.000000
1	140	40-03-0042	Registration Card	0	EA	.0	A	Y	1.000000
1	150	40-10-0044	Carton, FB4	0	EA	.0	A	Y	1.000000

1	160 40-20-0021	Plastic Bag, 10 x 12, 2 mil Floorboard manual & cable	0 EA	.0 A Y	1.000000
1	170 40-30-0020	Label,Serial No.1wX.5L,2accros Gloss,Silver Duropoly 613	0 EA	.0 A Y	2.000000
1	180 50-00-0040	FB4 PCBA	0 EA	.0 A Y	1.000000
2	10 01-12-0103	RES 10K 1/4W 5% DIP TH	0 EA	.0 A Y	2.000000
2	20 01-12-0201	Ref: R1, R8 RES 200R 1/4W 5% DIP TH	0 EA	.0 A Y	1.000000
2	30 01-12-0202	Ref: R4 RES 2.0K 1/4W 5% DIP TH	0 EA	.0 A Y	1.000000
2	40 01-12-0241	Ref: R7 RES 240R 1/4W 5% DIP TH	0 EA	.0 A Y	1.000000
2	50 01-12-0361	Ref: R3 RES 360R 1/4W 5% DIP TH	0 EA	.0 A Y	2.000000
2	60 01-12-0391	Ref: R2,R5 RES 390R 1/4W 5% DIP TH	0 EA	.0 A Y	4.000000
2	70 01-12-0471	Ref: R9 - R12 RES 470R 1/4W 5% DIP TH	0 EA	.0 A Y	1.000000
2	80 03-00-0101	Ref: R6 CAP 100PF 50V 20% CER DISC TH	0 EA	.0 A Y	1.000000
2	90 03-00-0102	Ref: C1 CAP 1nF 50V 20% CER DISC TH	0 EA	.0 A Y	1.000000
2	100 03-00-0406	Ref: C2 Capacitor, .01uF, 50V MIN	0 EA	.0 A Y	1.000000
2	110 03-18-0106	Ref: C3 CAP 10uF 50V 20% RADIAL ELEC TH Y	0 EA	.0 A Y	1.000000
2	120 03-36-0104	Ref: C5 CAP 0.1uF 50V 20% ESTR TH	0 EA	.0 A Y	1.000000
		Ref: C4			

2	130 06-00-4148	DIODE 4.0 N/S 100V SINGLE JUNCTION 1N4148	0 EA	.0 A Y	4.000000
2	135 15-12-0014	Ref: D1 - D4 HEX SXHMITT INVERTER T.I.	0 EA	.0 A Y	1.000000
2	140 15-62-0595	Ref: U4 OCTAL SHIFT REGISTER T.I. SN7 4HC595N	0 EA	.0 A Y	1.000000
2	150 18-00-0314	Ref: U1 RED LED TH SLX-LX3054ID	0 EA	.0 A Y	4.000000
2	160 21-16-0045	Ref: D5 - D8 CON RJ-45 female 8 conductor	0 EA	.0 A Y	1.000000
2	170 24-31-0100	Ref: J1 TACT SWITCH E SWITCH TL1100D	0 EA	.0 A Y	4.000000
2	180 30-15-0450	Ref: SW1 - SW4 LED Spacer, 450 Mil ELM 4-450	0 EA	.0 A Y	4.000000
		Ref: d5 - d8			