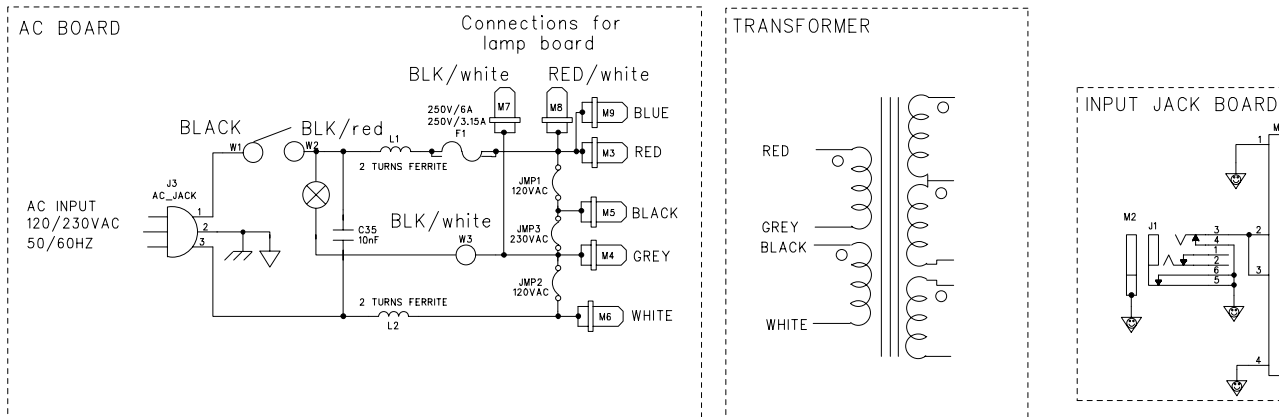


ECO# INCLUDED ON THIS SCHEMATIC/PCB REVISION		
ECO NO:	DATE:	DESCRIPTION:



COMPANY:		LINE 6	
TITLE:		Flexitone HD AC PCB	
PROGRAM:		PADS POWER LOGIC V1.1	
DRAWN:		REV:	
EVP		1	
DATED:		FILENAME:	
June 9, 1998		G:/Clients/Ftd/FlexHD/PADS/Schematics/FlexHD AC Rev1.sch	
CHECKED:		SCALE: 1:1	
EB		SIZE: C	
DATED:		PART NUMBER: 35-00-0052	
April 15, 1998		SHEET: 1 OF 1	

6

5

4

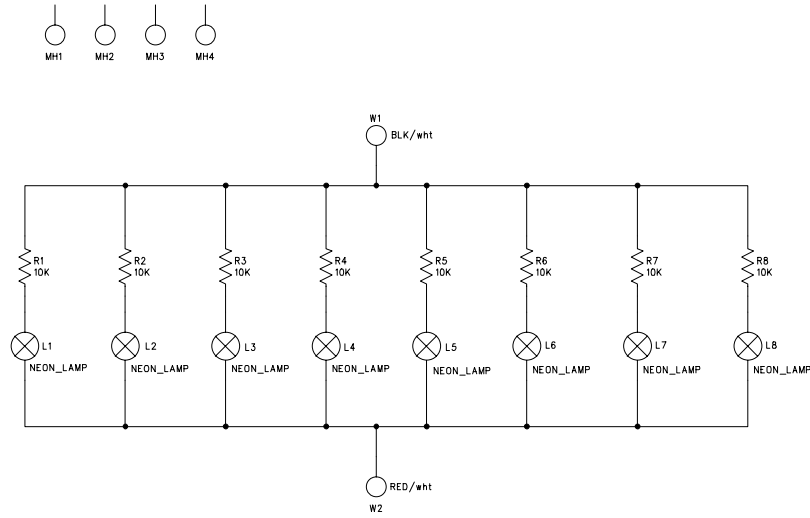
3

2

1

ECO# INCLUDED ON THIS SCHEMATIC/PCB REVISION		
ECO NO:	DATE:	DESCRIPTION:

THE INFORMATION CONTAINED IN THIS DRAWING IS THE SOLE PROPERTY OF LINE 6 INC. ANY REPRODUCTION IN PART OR WHOLE WITHOUT THE WRITTEN PERMISSION OF LINE 6 INC. IS PROHIBITED



COMPANY:		LINE 6	
TITLE:		Flexitone HD Lamp Board	
PROGRAM:		PADS POWER LOGIC V3.0	
DRAWN:		REV: 1	
EVP		November 16, 1999	
CHECKED:		FILENAME:	
INITIALS		Data on Ffd/Clients/Ffd/FlexHD/PADS/Schematics/FlexHD Lamp Rev1.sch	
DATED:		SCALE: 1:1	
MO Day, Year		SIZE: C	
		PART NUMBER: 35-00-0053	
		SHEET: 1 OF 1	

D

C

B

A

D

C

B

A

6 5 4 3 2 1

ECOs INCLUDED ON THIS SCHEMATIC/PCB REVISION		
ECO NO:	DATE:	DESCRIPTION:

D

D

C

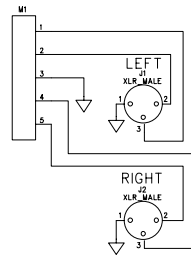
C

B

B

A

A



COMPANY:	LINE 6
TITLE:	FLEXTONE HD XLR BOARD

PROGRAM:	PADS POWER LOGIC V1.1	REV:	0
FILENAME:	G:/Clients/Ffd/FlexHD/PADS/Schematics/FlexHD XLR Rev0.sch		

DRAWN:	DATED:
EVP	June 9, 1998
CHECKED:	DATED:
EB	MO Day, Year

SCALE: 1:1	SIZE: C	PART NUMBER: 35-00-0054	SHEET: 1 OF 1
------------	---------	-------------------------	---------------

6

5

4

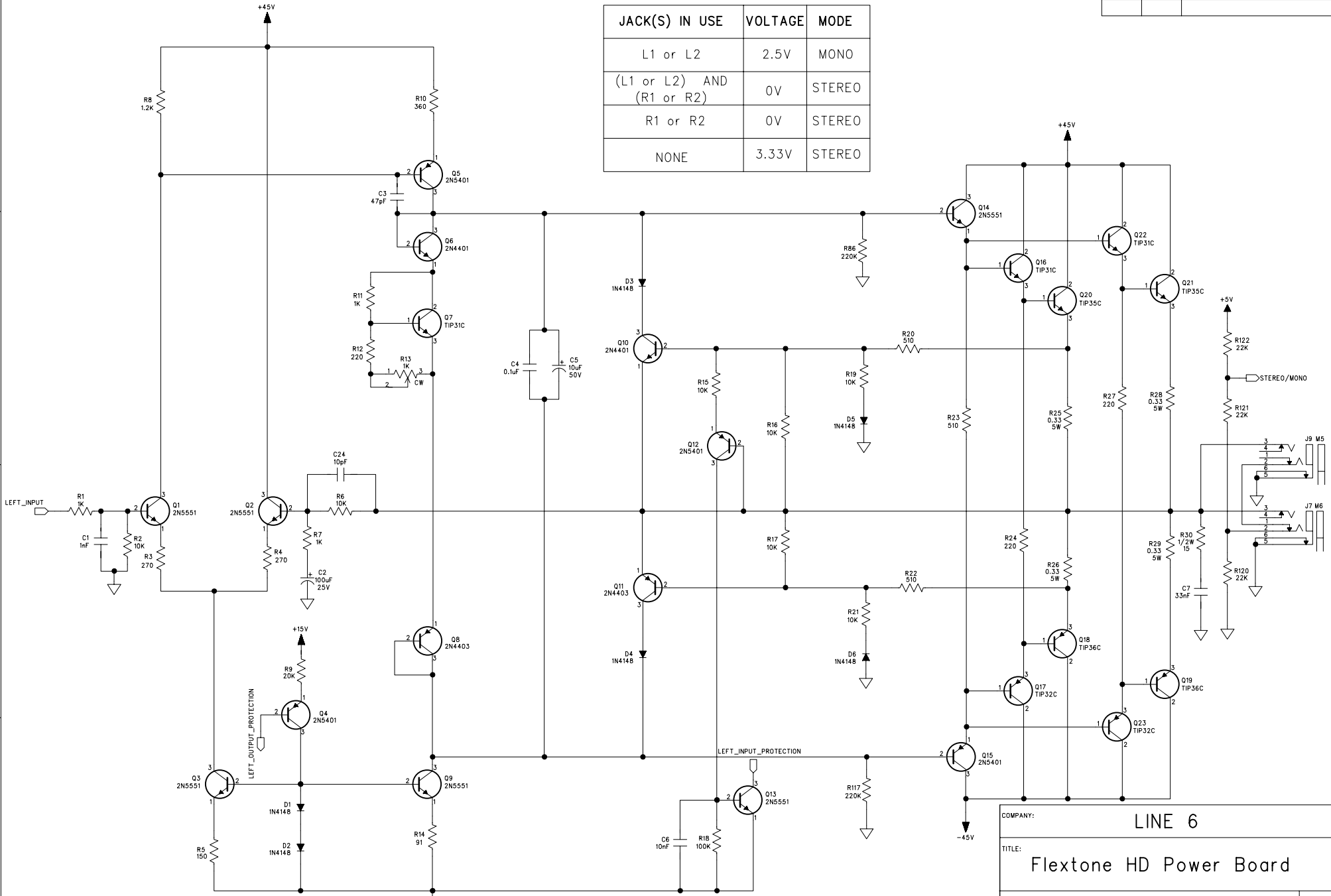
3

2

1

ECO# INCLUDED ON THIS SCHEMATIC/PCB REVISION		
ECO NO:	DATE:	DESCRIPTION:

JACK(S) IN USE	VOLTAGE	MODE
L1 or L2	2.5V	MONO
(L1 or L2) AND (R1 or R2)	0V	STEREO
R1 or R2	0V	STEREO
NONE	3.33V	STEREO



COMPANY: **LINE 6**

TITLE: **Flexitone HD Power Board**

PROGRAM: **PADS POWER LOGIC V1.1**

REV: **1**

FILENAME: G:/Clients/Ftd/Flex HD/PADS/Schematics/FlexHD Power Rev1.sch

SCALE: 1:1 SIZE: C PART NUMBER: 35-00-0050 SHEET: 1 OF 4

DRAWN: EVP	DATED: June 11, 1998
CHECKED: EB, MD	DATED:

6

5

4

3

2

1

ECO: INCLUDED ON THIS SCHEMATIC/PCB REVISION		
ECO NO:	DATE:	DESCRIPTION:

JACK(S) IN USE	VOLTAGE	MODE
L1 or L2	2.5V	MONO
(L1 or L2) AND (R1 or R2)	0V	STEREO
R1 or R2	0V	STEREO
NONE	3.33V	STEREO

D

C

B

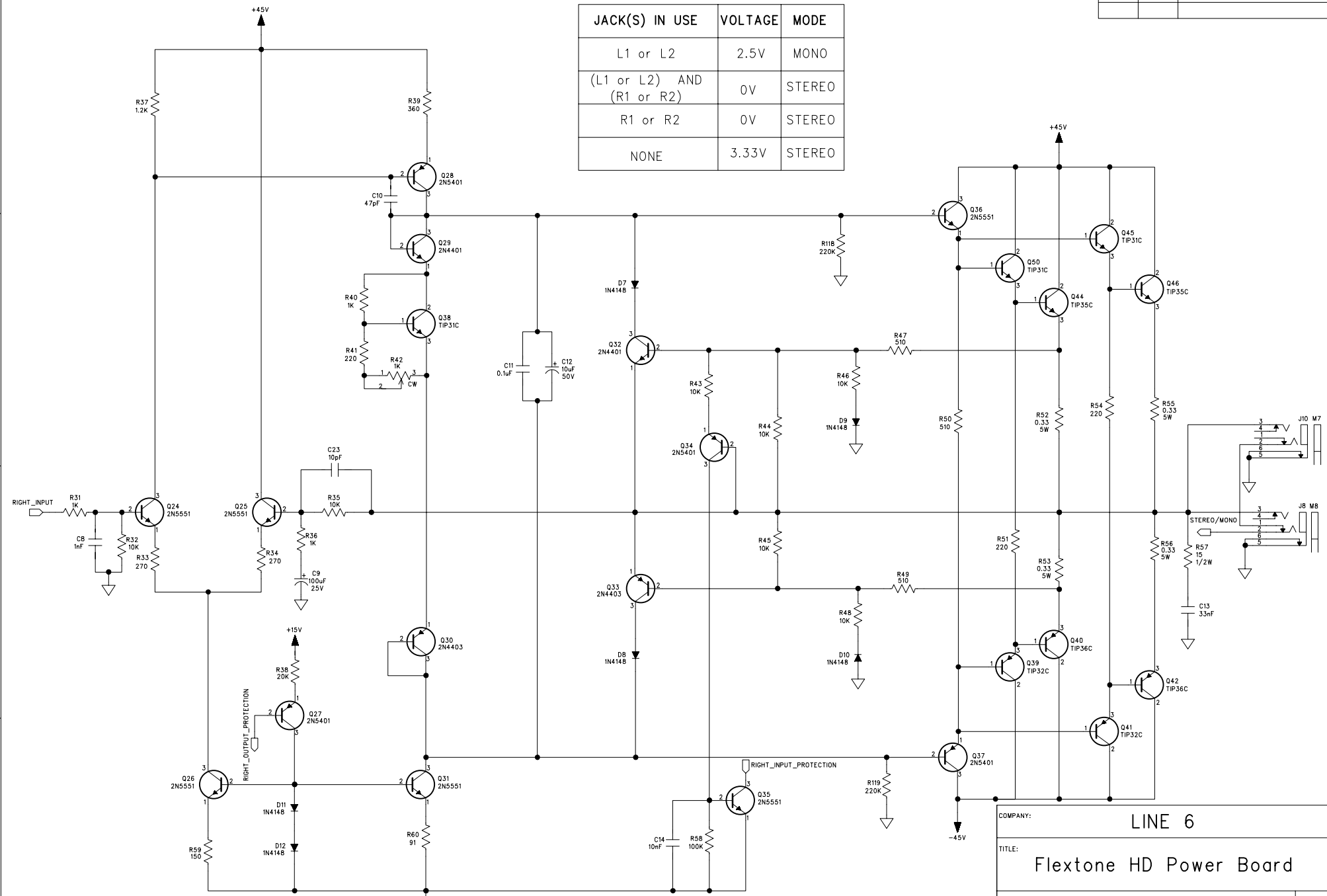
A

D

C

B

A



COMPANY: LINE 6

TITLE: Flexitone HD Power Board

PROGRAM: PADS POWER LOGIC V1.1

REV: 1

FILENAME: G:/Clients/Ftd/FlexHD/PADS/Schematics/FlexHD Power Rev1.sch

SCALE: 1:1 SIZE: C PART NUMBER: 35-00-0050 SHEET: 2 OF 4

DRAWN: EVP	DATED: June 11, 1998
CHECKED: EB, MD	DATED:

6 5 4 3 2 1

ECO# INCLUDED ON THIS SCHEMATIC/PCB REVISION		
ECO NO:	DATE:	DESCRIPTION:

XFMR 230VAC: part number
XFMR 120VAC: part number

D

C

B

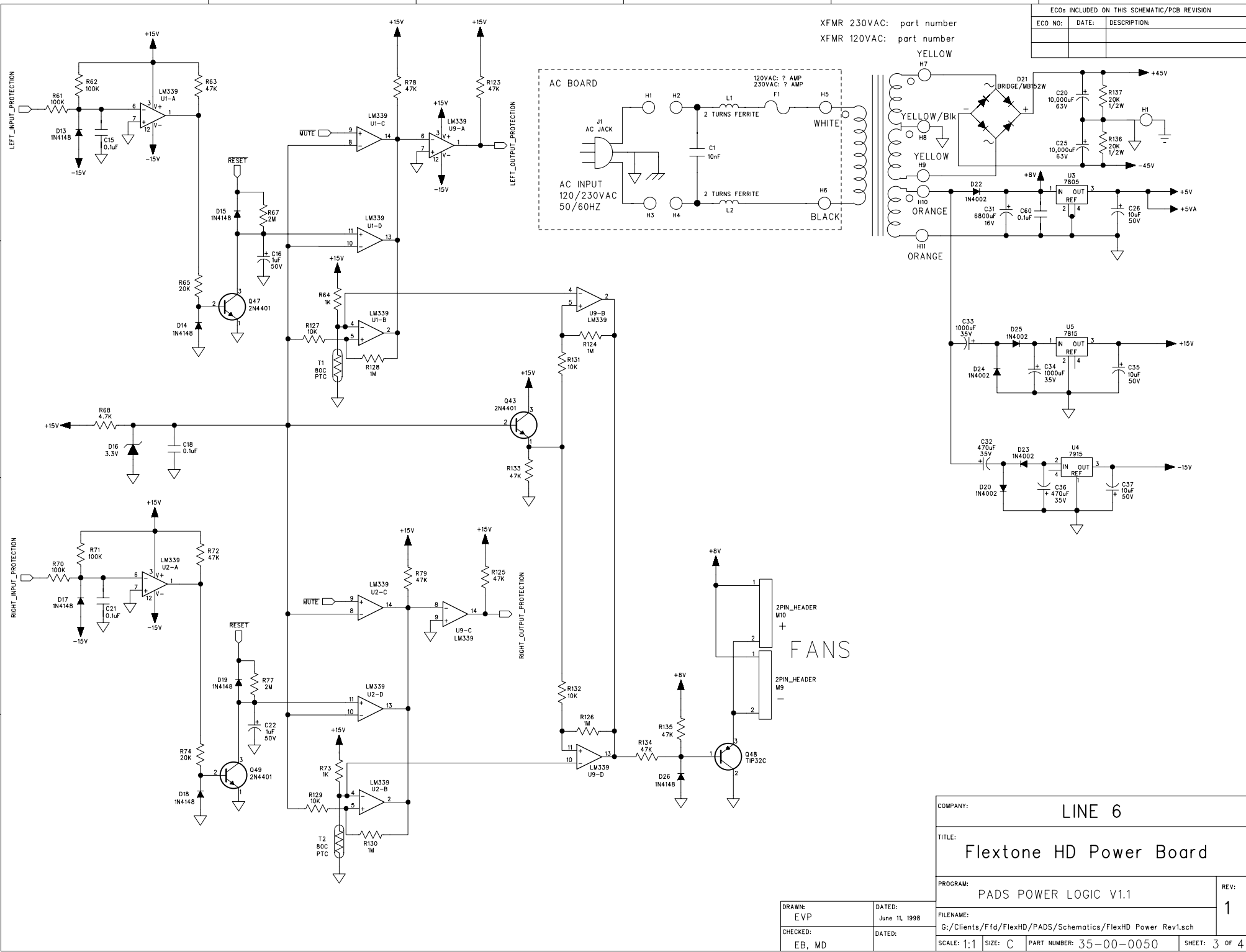
A

D

C

B

A



COMPANY:	LINE 6		
TITLE:	Flextone HD Power Board		
PROGRAM:	PADS POWER LOGIC V1.1		REV:
			1
DRAWN:	DATE:	FILENAME:	
EVP	June 11, 1998	G:/Clients/Ftd/FlexHD/PADS/Schematics/FlexHD Power Rev1.sch	
CHECKED:	DATE:	SCALE: 1:1	SIZE: C
EB, MD		PART NUMBER: 35-00-0050	SHEET: 3 OF 4

6

5

4

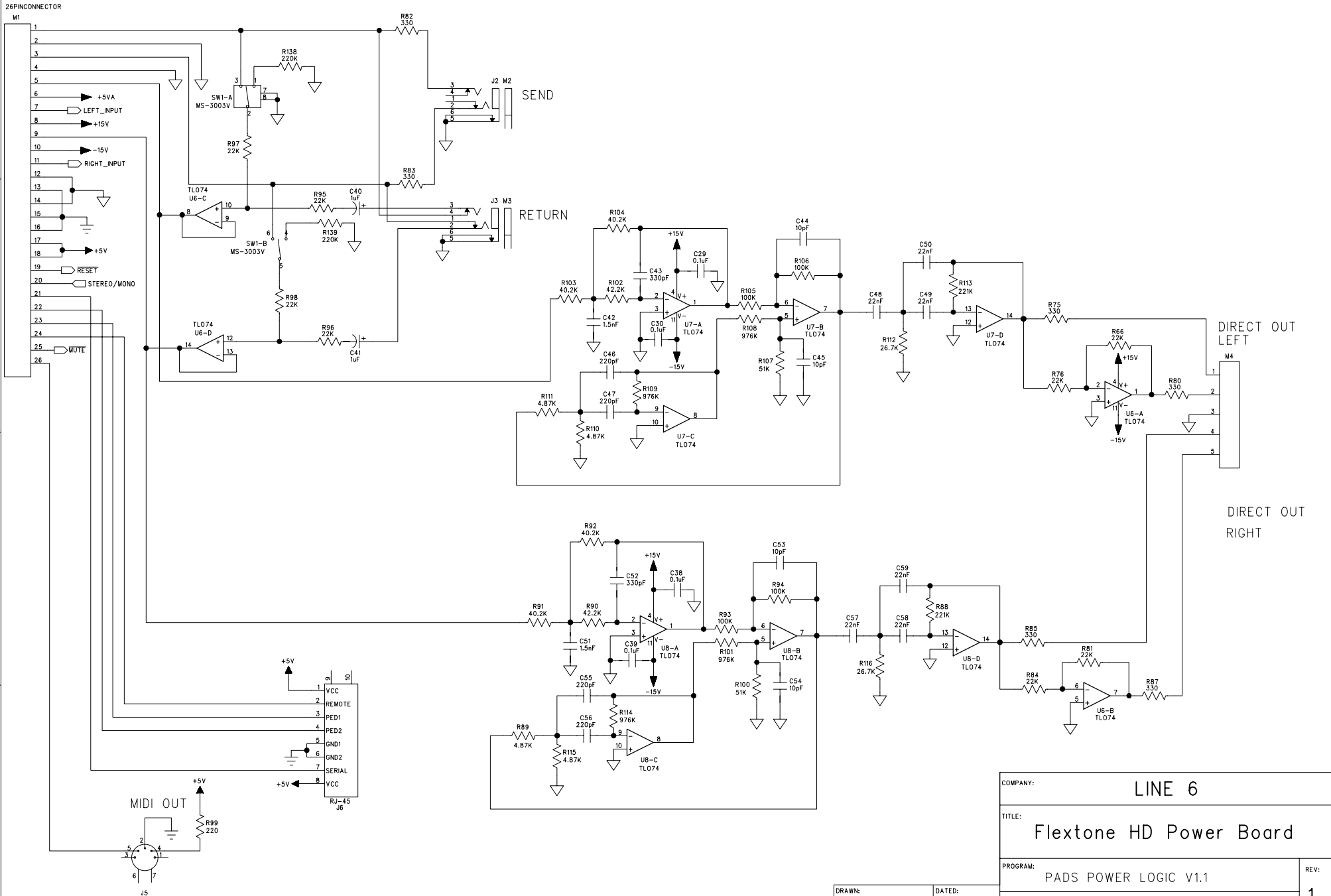
3

2

1

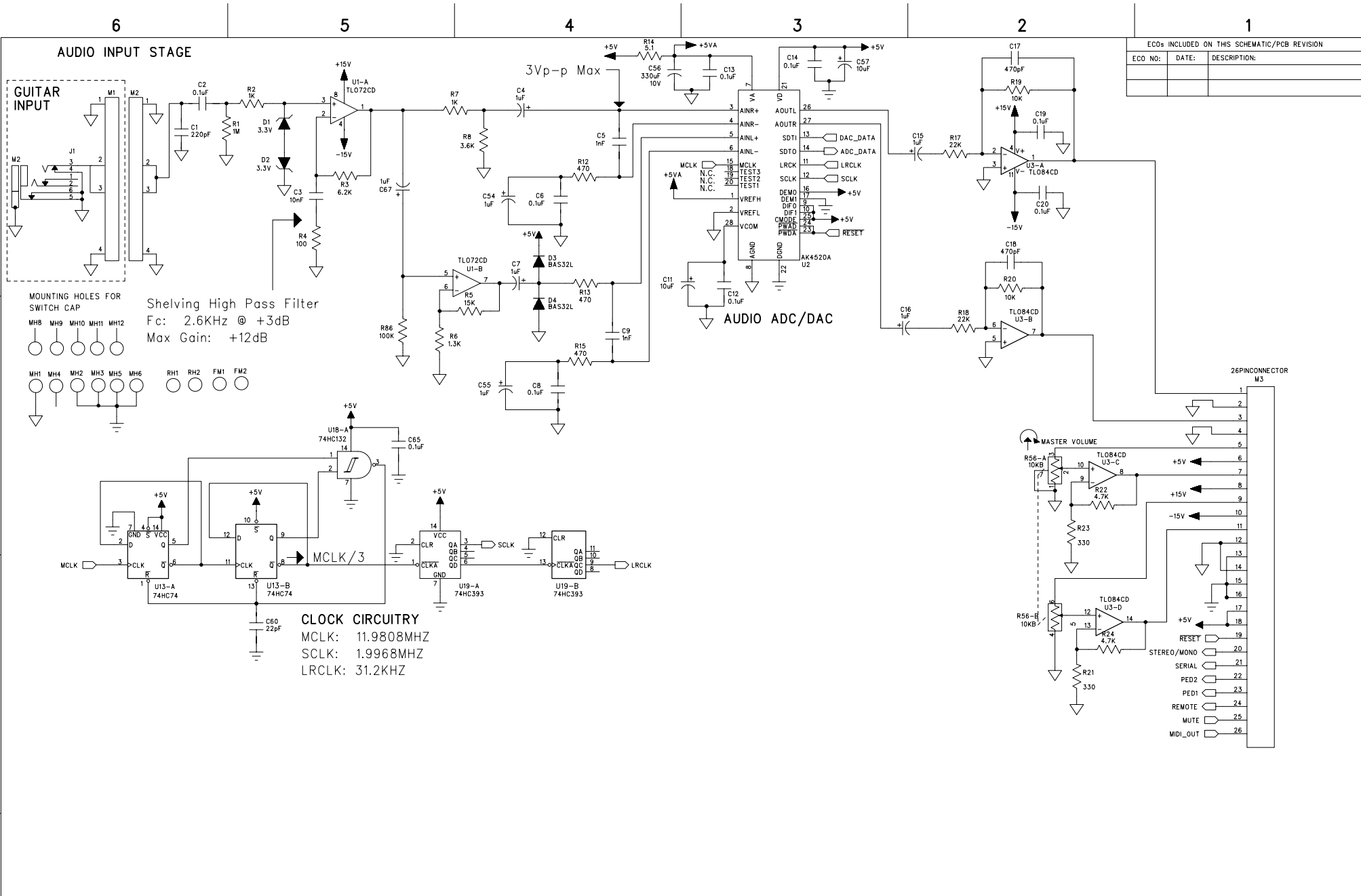
ECO# INCLUDED ON THIS SCHEMATIC/PCB REVISION		
ECO NO:	DATE:	DESCRIPTION:

Pins 5,9 go to master volume
 Pins 7,11 are outputs from master volume



DIRECT OUT LEFT
 DIRECT OUT RIGHT

COMPANY:	LINE 6		
TITLE:	Flexitone HD Power Board		
PROGRAM:	PADS POWER LOGIC V1.1		REV:
FILENAME:	Data on Ffd/Clients/Ffd/FlexHD/PADS/Schematics/FlexHD Power Rev1.sch		1
CHECKED:	EB, MD	DATED:	
DRAWN:	EVP	DATED:	June 11, 1998
SCALE: 1:1	SIZE: C	PART NUMBER: 35-00-0050	SHEET: 4 OF 4



ECOs INCLUDED ON THIS SCHEMATIC/PCB REVISION		
ECO NO:	DATE:	DESCRIPTION:

Sheling High Pass Filter
 $F_c: 2.6\text{KHz} @ +3\text{dB}$
 Max Gain: +12dB

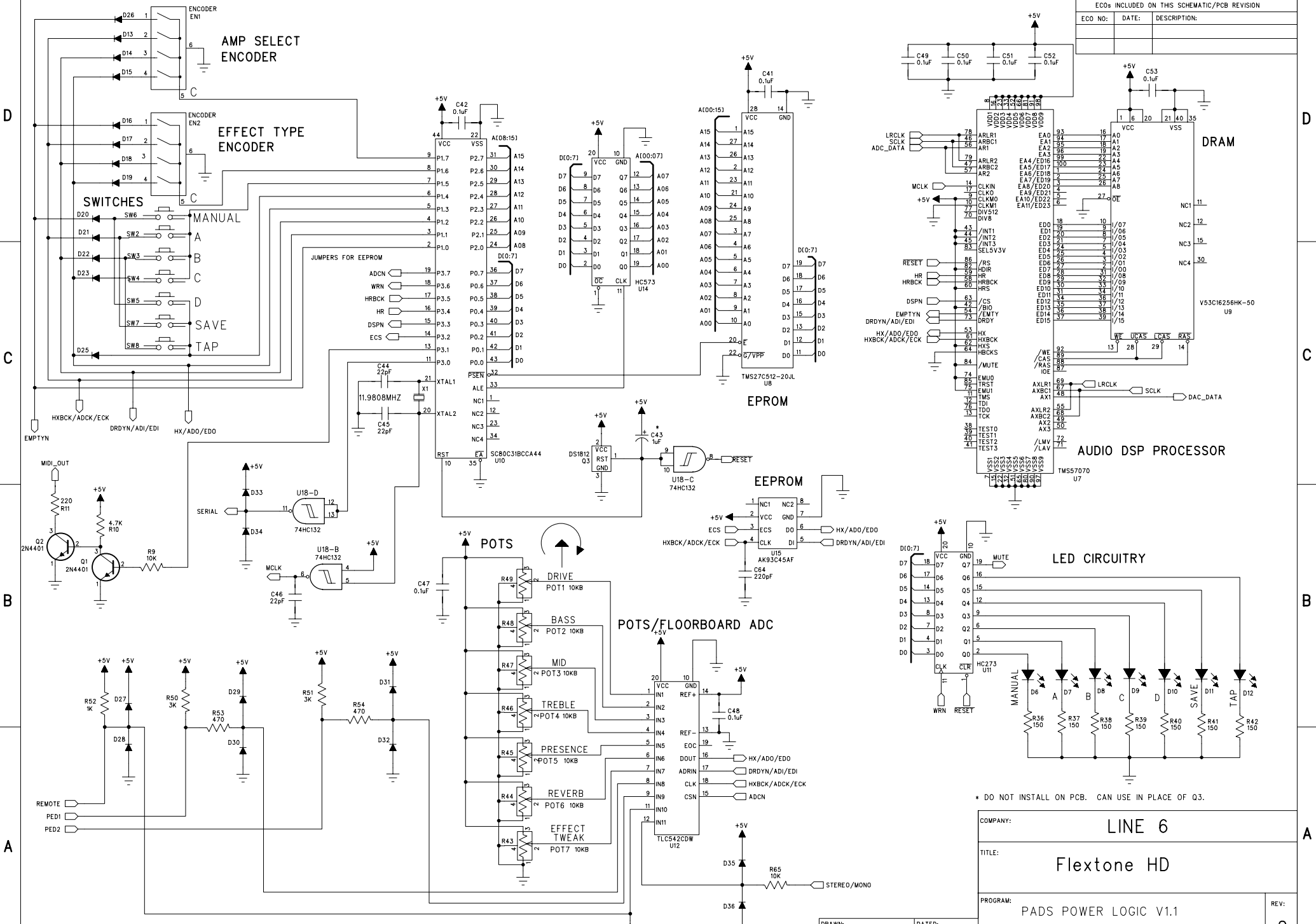
MOUNTING HOLES FOR SWITCH CAP
 MH8 MH9 MH10 MH11 MH12
 MH1 MH4 MH2 MH3 MH5 MH6
 RH1 RH2 FM1 FM2

CLOCK CIRCUITRY
 MCLK: 11.9808MHZ
 SCLK: 1.9968MHZ
 LRCLK: 31.2KHZ

COMPANY:	LINE 6		
TITLE:	Flexitone HD		
PROGRAM:	PADS POWER LOGIC v1.1		REV: 2
FILENAME:	Data on Ffd/Clients/Ffd/FlexHD/PADS/Schematics/FlexHD Main Rev2.sch		
SCALE: 1:1	SIZE: C	PART NUMBER: 35-00-0050	SHEET: 1 OF 2

DRAWN: EVP	DATED: June 9, 1998
CHECKED: MD, EB	DATED: MO Day, Year

ECO# INCLUDED ON THIS SCHEMATIC/PCB REVISION		
ECO NO:	DATE:	DESCRIPTION:

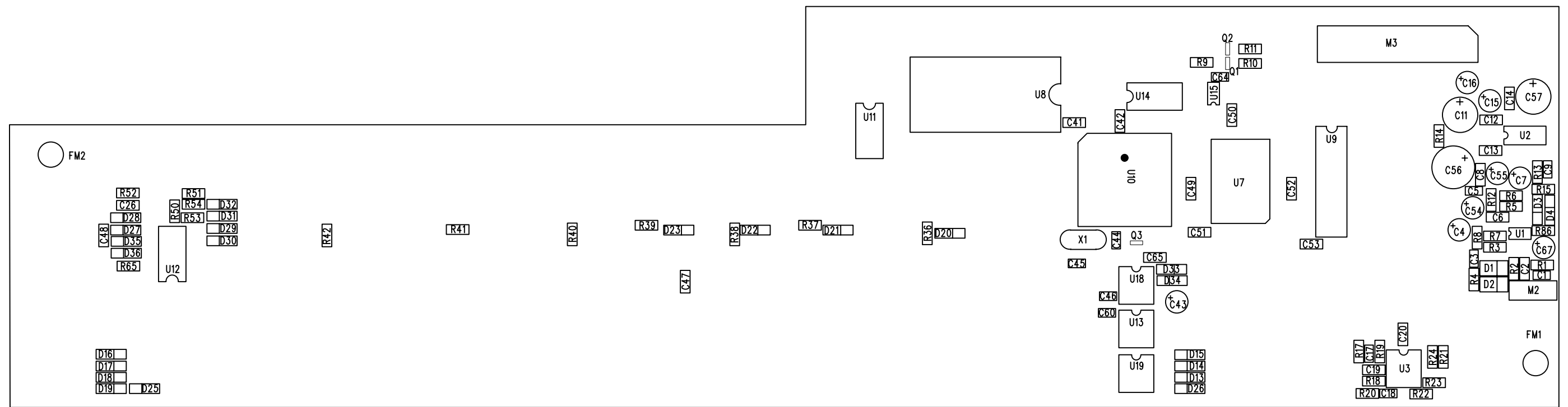


* DO NOT INSTALL ON PCB. CAN USE IN PLACE OF Q3.

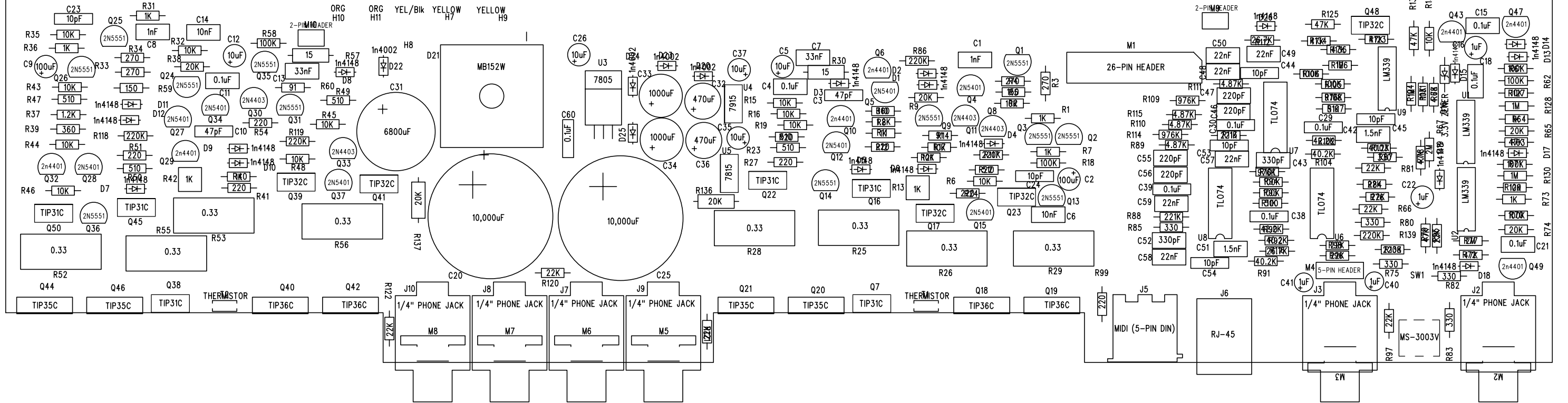
COMPANY: LINE 6	
TITLE: Flexitone HD	
PROGRAM: PADS POWER LOGIC V1.1	REV: 2
FILENAME: Data on Ffd/Clients/Ffd/FlexHD/PADS/Schematics/FlexHD Main Rev2.sch	
SCALE: 1:1	SIZE: C
PART NUMBER: 35-00-0050	SHEET: 2 OF 2

REMOTE JACK FOR FB4 AND FLOORBOARD

DRAWN: EVP	DATED: June 9, 1998
CHECKED: MD, EB	DATED: MO Day, Year



(c) Fast Forward Designs, Inc 1998 PART#: 35-00-0051 Rev:1



Flexitone HD Parts List

Including: Reference Designators

Level	Seq	Component-Item	Component-Description	Opr	UOM				Qty-Per-Parent
=====									
Parent Item: 99 FLEX HD 120 FLEXTONE HEAD 120V AMP FINAL Loc: L6M LLC: 0									
1	10	11-30-0021	POWER TRANSFORMER, 115/230, FLEXTONE HD	0	EA	.0	A	Y	1.000000
1	20	11-50-0812	Fan, 12v DC	0	EA	.0	A	Y	2.000000
1	30	21-20-0002	Contact pin, 2mm	0	EA	.0	A	Y	2.000000
1	40	21-23-2600	Cable, ribbon, 26 pin, 100mm	0	EA	.0	A	Y	1.000000
1	50	21-34-0012	Cable Input jack assy	0	EA	.0	A	Y	1.000000
1	60	21-34-0013	Cable master volume assy	0	EA	.0	A	Y	1.000000
1	70	21-34-0202	Cable Assy, Fan	0	EA	.0	A	Y	2.000000
1	80	21-37-1160	CABLE,PWR UL/CSA,SJT,18awg,Blk EL-302 grnded plug,EL701 Sockt	0	EA	.0	A	Y	1.000000
1	90	24-19-8250	FUSE 8 AMP Littlefuse 217008	0	EA	.0	A	Y	1.000000
1	100	24-21-1111	SWITCH CAP	0	EA	.0	A	Y	1.000000
1	110	24-24-0011	AC POWER SWITCH ILLUMINATED	0	EA	.0	A	Y	1.000000
1	120	30-00-0607	6-32x7/16 Phil Panhead zinc mach. screw w/ext. lock washer	0	EA	.0	A	Y	31.000000
1	130	30-00-0610	Screw, 6-32 x 5/8, SEMS ext. washer	0	EA	.0	A	Y	6.000000
1	140	30-00-0821	Screw, 8-32 x 1 1/4 SEMS blk. washer	0	EA	.0	A	Y	8.000000
1	150	30-00-1020	SCREW, 10-24 X 1 1/4 PH OVAL MACHINE SCREW BLACK	0	EA	.0	A	Y	2.000000
1	160	30-00-1052	Screw/Transformer 10-32 x 3.25 round slot machine screw, zinc	0	EA	.0	A	Y	4.000000

1	170	30-00-1124	10-32 x 1-1/2 black waxed zinc	0	EA	.0	A	Y	5.000000
1	180	30-00-1632	6-32x3/8 philips panhead screw taptite black	0	EA	.0	A	Y	12.000000
1	185	30-00-9358	#3-1/2 PHILIPS OVAL SCREW BLK. Sustitute for 30-00-0358	0	EA	.0	A	Y	4.000000
1	190	30-03-0011	Washer,#10 Finishing, Black Countersunk, Black Oxide,Waxed	0	EA	.0	A	Y	5.000000
1	200	30-03-6836	WASHER FOR PEDAL NYLON 1/32	0	EA	.0	A	Y	4.000000
1	210	30-06-0025	10-32 nut, w/ a nylon insert	0	EA	.0	A	Y	4.000000
1	220	30-06-0832	Nut Cap, 8/32 Star Washer	0	EA	.0	A	Y	8.000000
1	230	30-12-2210	STANDOFF 1/2" F 6-32 Full THD. F.F. Keystone 2210	0	EA	.0	A	Y	1.000000
1	240	30-12-2212	STANDOFF 1" HEX ALUMINUM F/F	0	EA	.0	A	Y	1.000000
1	250	30-12-8418	STANDOFF 1" HEX M/F 6-32	0	EA	.0	A	Y	1.000000
1	260	30-15-0750	SPACER #10 NYLON 3/4" LENGTH	0	EA	.0	A	Y	4.000000
1	270	30-24-0003	CABLE TIE Panduit 3 7/8" clear Panduit PLT1M-M	0	EA	.0	A	Y	7.000000
1	280	30-24-0030	CABLE TIE BLACK Panduit mfg. p/n PLT1M-CO	0	EA	.0	A	Y	2.000000
1	285	30-60-2005	LOGO, Flextone HD	0	EA	.0	A	Y	1.000000
1	290	30-27-0050	FHD LAMP LENS EXTRUSION	0	EA	.0	A	Y	1.000000
1	300	30-42-0034	Overlay, FHD	0	EA	.0	A	Y	1.000000
1	310	30-45-2000	Knob	0	EA	.0	A	Y	10.000000
1	320	30-51-0050	Metal Chassis, FHD	0	EA	.0	A	Y	1.000000
1	330	30-51-0051	Metal Cover, FHD	0	EA	.0	A	Y	1.000000

1	340 30-51-0052	Heat Sink, FHD	0 EA	.0 A Y	2.000000
1	350 30-51-0053	Metal Fan Shroud, FHD	0 EA	.0 A Y	2.000000
1	360 30-51-0054	Metal Clamp, FHD	0 EA	.0 A Y	2.000000
1	370 30-57-0580	HANDLE/STRAP Heavy Duty, Black	0 EA	.0 A Y	1.000000
1	380 30-57-0581	END CAPS,Black,Textured Finish	0 EA	.0 A Y	2.000000
1	385 30-60-2010	LOGO, Line 6, large	0 EA	.0 A Y	1.000000
1	390 30-63-0003	THERMAL INSULATOR 1.5" wide	0 FT	.0 A Y	.710000
1	400 30-63-1111	FM 1/8" thick 1/2" sq. adhesive on 1 side,3m# 4508	0 EA	.0 A Y	2.000000
1	410 40-00-0030	Manual, User's, Flextone P/D	0 EA	.0 A Y	1.000000
1	420 40-00-0032	Chart, Patch, Flextone P/D	0 EA	.0 A Y	1.000000
1	430 40-00-1000	Line 6 Warranty Information Ca rd	0 EA	.0 A Y	1.000000
1	440 40-03-0100	Registration Card - Flextone	0 EA	.0 A Y	1.000000
1	450 40-10-0035	Carton, Flextone HD	0 EA	.0 A Y	1.000000
2	10 40-10-0043L	FLEXTONE TOP LEFT FOAM BLOCK	0 EA	.0 A Y	1.000000
2	20 40-10-0043R	FLEXTONE TOP RIGHT FOAM BLOCK	0 EA	.0 A Y	1.000000
2	30 40-10-0043B	Foam Block,Bottom-Flextone	0 EA	.0 A Y	2.000000
1	470 40-20-0011	Plastic Bag, 10 x 16, 2 mil	0 EA	.0 A Y	1.000000
1	480 40-20-0010	Plastic Bag,43"x38"x.004,clear	0 EA	.0 A Y	1.000000
1	485 40-30-0020	Label,Serial No.1wX.5L,2accros Gloss,Silver Duropoly 613	0 EA	.0 A Y	2.000000
1	490 50-00-0060	FHD Main PCBA	0 EA	.0 A Y	1.000000

2	10 01-04-0051	RES 5.1R 1/8W 5% 1206 SM	0 EA	.0 A Y	1.000000
		Ref: R14			
2	20 01-04-0101	RES 100 OHM 5% 1/8W	0 EA	.0 A Y	1.000000
		Ref: R4			
2	30 01-04-0102	RES 1K 1/8W 5% 1206 SM	0 EA	.0 A Y	3.000000
		Ref: R2, R7, R52			
2	40 01-04-0103	RES 10K 1/8W 5% 1206 SM	0 EA	.0 A Y	4.000000
		Ref: R9, R19, R20, R65			
2	50 01-04-0104	RES 100K 1/8W 5% 1206 SM	0 EA	.0 A Y	1.000000
		Ref: R86			
2	60 01-04-0105	RES 1M 1/8W 5% 1206 SM	0 EA	.0 A Y	1.000000
		Ref: R1			
2	70 01-04-0132	RES 1.3K 1/8W 5% 1206 SM	0 EA	.0 A Y	1.000000
		Ref: R6			
2	80 01-04-0151	RES 150R 1/8W 5% 1206 SM	0 EA	.0 A Y	7.000000
		Ref: R36 - R42			
2	90 01-04-0153	RES CHIP 15K 5% 1/8W 1206, Thick Film	0 EA	.0 A Y	1.000000
		Ref: R5			
2	100 01-04-0221	RES 220R 1/8W 5% 1206 SM	0 EA	.0 A Y	1.000000
		Ref: R11			
2	110 01-04-0223	RES 22K 1/8W 5% 1206 SM	0 EA	.0 A Y	2.000000
		Ref: R17, R18			
2	120 01-04-0302	RES 3K 1/8W 5% 1206 SM	0 EA	.0 A Y	2.000000
		Ref: R50, R51			
2	130 01-04-0331	RES 330R 1/8W 5% 1206 SM	0 EA	.0 A Y	2.000000
		Ref: R21, R23			
2	140 01-04-0362	RES 3.6K 1/8W 5% 1206 SM	0 EA	.0 A Y	1.000000
		Ref: R8			

2	150 01-04-0471	RES 470R 1/8W 5% 1206 SM	0 EA	.0 A Y	5.000000
2	160 01-04-0472	Ref: R12, R13, R15, R53, R54 RES 4.7K 1/8W 5% 1206 SM	0 EA	.0 A Y	3.000000
2	170 01-04-0622	Ref: R10, R22, R24 RES 6.2K 1/8W 5% 1206 SM	0 EA	.0 A Y	1.000000
2	180 01-48-0103 mm	Ref: R3 POT 10K MONO LINEAR D-SHAFT-25	0 EA	.0 A Y	7.000000
2	190 01-48-4103	Ref: R43 - R49 POT 10K Stereo Linear	0 EA	.0 A Y	1.000000
2	200 03-10-0331 TH	Ref: R56 CAP 330uF 10V 20% RADIAL ELEC	0 EA	.0 A Y	1.000000
2	210 03-18-0105	Ref: C56 CAP 1uF 50V 20% RADIAL ELEC TH	0 EA	.0 A Y	7.000000
2	220 03-18-0106 TH	Ref: C4, C7, C15, C16, C54, C55, C67 CAP 10uF 50V 20% RADIAL ELEC	0 EA	.0 A Y	2.000000
2	225 03-36-0104	Ref: C11, C57 CAP 0.1uF 50V 20% ESTR TH	0 EA	.0 A Y	1.000000
2	230 03-46-0104	Ref: D36+ CAP 0.1uF 50V 20% 1206 X7R SM	0 EA	.0 A Y	19.000000
2	240 03-52-0102	Ref: C2, C6, C8, C12-C14, C19,, C20, C26, C41, C42, C47-C53, C65 CAP 1nF 50V min 20% max 0805	0 EA	.0 A Y	2.000000
2	260 03-52-0220	Ref: C5, C9 CAP 22pF 50V min 20% max 0805	0 EA	.0 A Y	4.000000
2	270 03-52-0221	Ref: C44, C45, C46, C60 CAP 220pF 50V 20%	0 EA	.0 A Y	2.000000
2	280 03-52-0471	Ref: C1, C64 CAP 470pF 50V SMT	0 EA	.0 A Y	2.000000
2	285 03-53-0103 0805,	Ref: C17, C18 CAP 10nF 50V SMT	0 EA	.0 A Y	1.000000

2	290 06-20-4148	DIODE, SMALL SIGNAL, GREEN	0 EA	.0 A Y	25.000000
2	300 06-28-0310	Ref: D13 - D23, D25 - D36, D3, D4 Diode Zener 3.3 volt SMT Philips PMLL5226B,DL-35 pkg	0 EA	.0 A Y	2.000000
2	310 09-10-4401	Ref: D1, D2 TRANS NPN Small Signal TH	0 EA	.0 A Y	2.000000
2	320 11-00-1198	Ref: Q1, Q2 11.98080 MHZ crystal in HC-49/ u holder	0 EA	.0 A Y	1.000000
2	330 12-54-0072	Ref: X1 IC, OP-AMP TL072D	0 EA	.0 A Y	1.000000
2	340 12-54-0084	Ref: U1 IC OP AMP Quad, surface mount, mfg p/n# TL084CD	0 EA	.0 A Y	1.000000
2	350 12-64-0542	Ref: U3 IC ADC 8 bit	0 EA	.0 A Y	1.000000
2	360 12-64-4520	Ref: U12 IC STEREO 20 bit CODEC SMT	0 EA	.0 A Y	1.000000
2	380 15-62-0074	Ref: U2 DUAL D-TYPE FLIP-FLOP SMT	0 EA	.0 A Y	1.000000
2	390 15-62-0132	Ref: U13 QUAD SCHMITT NAND SMT	0 EA	.0 A Y	1.000000
2	400 15-62-0273	Ref: U18 OCTICAL LATCH D TYPE WITH CLEA R SMT	0 EA	.0 A Y	1.000000
2	410 15-62-0393	Ref: U11 8 BIT DIVIDER SMT	0 EA	.0 A Y	1.000000
2	420 15-62-0573	Ref: U19 IC Octal Latch D-Type *Transpa rent	0 EA	.0 A Y	1.000000
2	430 15-70-6256	Ref: U14 DRAM FLEXTONE ISSI P/N IS41C16257-35K	0 EA	.0 A Y	1.000000
2	440 15-78-4096	Ref: U9 IC, EEPROM 4K	0 EA	.0 A Y	1.000000

2	450 15-84-8031	Ref: U15 IC Microprocessor 8031	0 EA	.0 A Y	1.000000
2	460 15-86-7070	Ref: U10 IC DASP	0 EA	.0 A Y	1.000000
2	470 15-92-1812	Ref: U7 RESET CHIP DS1812R-5/T&R	0 EA	.0 A Y	1.000000
2	480 18-02-0034	Ref: Q3 YELLOW LED TH L34YDLK	0 EA	.0 A Y	7.000000
2	490 21-20-0204	Ref: D6 - D12 Header 4-pin 2MM	0 EA	.0 A Y	1.000000
2	500 21-23-1302	Ref: M2 HEADER, 26 PIN 0.1" RIBBON	0 EA	.0 A Y	1.000000
2	540 21-42-0028	Ref: M3 SOCKET 28 pin TH	0 EA	.0 A Y	1.000000
2	550 24-12-0025	Ref: U8 ENCODER SHAFT 16 STEP	0 EA	.0 A Y	2.000000
2	560 24-31-1105	Ref: EN1, EN2 TACK SWITCH	0 EA	.0 A Y	7.000000
2	565 30-00-0607	Ref: SW2 - SW8 6-32x7/16 Phil Panhead zinc mach. screw w/ext. lock washer	0 EA	.0 A Y	1.000000
2	585 45-00-0046	EPROM, Programmed, FHD	0 EA	.0 A Y	1.000000
3	10 15-26-0512	Ref: U8 IC EPROM 64K X 8 Not Prgmd Winbond W27E512-70	0 EA	.0 A Y	1.000000
1	500 50-00-0061	FHD Rear PCBA	0 EA	.0 A Y	1.000000

2	10	01-12-0102	RES 1K 1/4W 5% DIP TH	0	EA				10.000000
2	20	01-12-0103	Ref: R1, R31, R64, R73, R69, R140, R23, R50, (C48,C57-ECO#3) RES 10K 1/4W 5% DIP TH	0	EA				17.000000
2	30	01-12-0104	Ref: R2, R6, R15, R16, R17, R19, R21, R32, R35, R43-R46, R48, R127, R129, R131, R132 RES 100K 1/4W 5% DIP TH	0	EA				8.000000
2	40	01-12-0105	Ref: R18, R58, R61, R62, R70, R71, R94, R106 RES 1M 1/4W 5% DIP TH	0	EA	.0	A	Y	4.000000
2	45	01-12-0121	Ref: R124, R126, R128, R130 RES 120R 1/4W 5% DIP TH	0	EA	.0	A	Y	2.000000
2	50	01-12-0122	Ref: R14, R60 RES 1.2K 1/4W 5% DIP TH	0	EA	.0	A	Y	2.000000
2	60	01-12-0151	Ref: R8, R37 RES 150R 1/4W 5% DIP TH	0	EA	.0	A	Y	2.000000
2	70	01-12-0202	Ref: R5, R59 RES 2.0K 1/4W 5% DIP TH	0	EA	.0	A	Y	1.000000
2	80	01-12-0203	Ref: R134 RES 20K 1/4W 5% DIP TH	0	EA	.0	A	Y	6.000000
2	90	01-12-0205	Ref: R9, R38, R65, R74, R136, R137 RES 2M 1/4W 5% DIP TH	0	EA	.0	A	Y	2.000000
2	100	01-12-0221	Ref: R67, R77 RES 220R 1/4W 5% DIP TH	0	EA	.0	A	Y	7.000000
2	110	01-12-0223	Ref: R12, R24, R27, R41, R54, R99 RES 22K 1/4W 5% DIP TH	0	EA	.0	A	Y	13.000000
2	120	01-12-0224	Ref: R66, R76, R81, R84, R95, R96, R97, R98, R120, R121, R122, R112, R116 RES 220K 1/4W 5% DIP TH	0	EA				000000
2	130	01-12-0271	Ref: R86, R93, R105, R117, R118, R119, R138, R139 RES 270R 1/4W 5% DIP TH	0	EA				4.000000
			Ref: R3, R4, R33, R34						

2	140 01-12-0331	RES 330R 1/4W 5% DIP TH	0 EA	.0 A Y	6.000000
2	150 01-12-0361	Ref: R75, R80, R82, R83, R85, R87 RES 360R 1/4W 5% DIP TH	0 EA	.0 A Y	2.000000
2	160 01-12-0472	Ref: R10, R39 RES 4.7K 1/4W 5% DIP TH	0 EA	.0 A Y	1.000000
2	170 01-12-0473	Ref: R68, RES 47K 1/4W 5% DIP TH	0 EA	.0 A Y	8.000000
2	180 01-12-0511	Ref: R63, R72, R123, R125, R78, R79, R133, R135 RES 510R 1/4W 5% DIP TH	0 EA	.0 A Y	6.000000
2	190 01-12-0513	Ref: R7, R20, R22, R23, R36, R47, R49, R50 RES 51K 1/4W 5% DIP TH	0 EA	.0 A Y	2.000000
2	200 01-12-0561	Ref: R100, R107 RES 560R 1/4W 5% DIP TH	0 EA	.0 A Y	2.000000
2	220 01-16-0150	Ref: R11, R40 RES 15R 1/2W 5% DIP TH	0 EA	.0 A Y	2.000000
2	230 01-20-5033	Ref: R30, R57 Resistor, 0.33 5% 5W TH	0 EA	.0 A Y	8.000000
2	240 01-36-3013	Ref: R25, R26, R28, R29, R52, R53, R55, R56 RES 301K 1/4W 1% DIP TH	0 EA	.0 A Y	2.000000
2	250 01-36-4022	Ref: R88, R113 RES 40.2K 1/4W 1% DIP TH	0 EA	.0 A Y	4.000000
2	260 01-36-4222 LM TH	Ref: R91, R92, R103, R104 RES 42.2K 1/4W 1% DIP METAL-FI	0 EA	.0 A Y	2.000000
2	270 01-36-4871	Ref: R90, R102 RES 4.87K 1/4W 1% DIP TH	0 EA	.0 A Y	4.000000
2	280 01-36-9763	Ref: R89, R110, R111, R115 RES 976K 1/4W 1% DIP TH	0 EA	.0 A Y	4.000000
2	290 01-52-0102	Ref: R101, R108 TRIMMER POTENTIOMETER 1K OHM	0 EA	.0 A Y	2.000000

2	300 01-70-0080	Ref: R13, R42 THERMISTOR, PTC, 80C, TH	0 EA	.0 A Y	2.000000
2	310 03-00-0100	Ref: T1, T2 CAP 10PF 50V 20% CER DISC TH	0 EA	.0 A Y	4.000000
2	320 03-00-0102	Ref: C23, C24, C45, C54 CAP 1nF 50V 20% CER DISC TH	0 EA	.0 A Y	2.000000
2	330 03-00-0104	Ref: C1, C8 CAP 0.1uF 50V 20% CER DISC TH	0 EA	.0 A Y	8.000000
2	340 03-00-0470	Ref: C4, C11, C18, C29, C30, C38, C39, C60 CAP 47pF 50V 20% CER DISC TH	0 EA	.0 A Y	2.000000
2	350 03-12-0688 TH	Ref: C3, C10 CAP 6800uF 16V 20% RADIAL ELEC	0 EA	.0 A Y	1.000000
2	360 03-14-0107 TH	Ref: C31 CAP 100uF 25V 20% RADIAL ELEC	0 EA	.0 A Y	2.000000
2	370 03-16-0108 TH	Ref: C2, C9 CAP 1000uF 35V 20% RADIAL ELEC	0 EA	.0 A Y	2.000000
2	380 03-16-0477 70mmLS TH	Ref: C33, C34 CAP 470uF 35V 20% RADIAL ELEC	0 EA	.0 A Y	2.000000
2	390 03-18-0105	Ref: C32, C36 CAP 1uF 50V 20% RADIAL ELEC TH	0 EA	.0 A Y	4.000000
2	400 03-18-0106 TH	Ref: C16, C22, C40, C41 CAP 10uF 50V 20% RADIAL ELEC	0 EA	.0 A Y	5.000000
2	410 03-20-0109 EC TH	Ref: C5, C12, C26, C35, C37 CAP 10,000uF 63V 20% RADIAL EL	0 EA	.0 A Y	2.000000
2	420 03-36-0103	Ref: C20, C25 CAP 10nF 50V 5% ESTR TH	0 EA	.0 A Y	2.000000
2	430 03-36-0104	Ref: C6, C14 CAP 0.1uF 50V 20% ESTR TH	0 EA	.0 A Y	2.000000
		Ref: C15, C21			

2	440 03-36-0152	CAP 1.5nF 50V 5% ESTR TH	0 EA	.0 A Y	2.000000
2	450 03-36-0223	Ref: C42, C51 CAP 22nF 50V 5% ESTR TH	0 EA	.0 A Y	6.000000
2	460 03-36-0331	Ref: C48, C49, C50, C57, C58, C59 CAP 330pF 50V 5% ESTR TH	0 EA	.0 A Y	8.000000
2	470 03-36-0333	Ref: C43, C44, C46, C47, C52, C53, C55, C56 CAP 33nF 50V 5% ESTR TH	0 EA	.0 A Y	2.000000
2	480 06-00-4148	Ref: C7, C13 DIODE 4.0 N/S 100V SINGLE JUNCTION 1N4148	0 EA	.0 A Y	19.000000
2	490 06-04-4002	Ref: D1-D15, D17-D19, D26 Diode, Mid Power TH	0 EA	.0 A Y	5.000000
2	500 06-08-0330	Ref: D20, D22, D23, D24, D25 Diode ZENER, 3.3 VOLT TH	0 EA	.0 A Y	1.000000
2	510 06-16-0252	Ref: D16 Diode Bridge, TH 25 Amp	0 EA	.0 A Y	1.000000
2	520 09-00-0014	Ref: D21 TRANS, NPN SMALL DARLINGTON TH	0 EA	.0 A Y	3.000000
2	530 09-00-4401	Ref: Q43, Q06, Q29 TRANS NPN Small Signal TH	0 EA	.0 A Y	4.000000
2	540 09-00-4403	Ref: Q10, Q32, Q47, Q49 TRANS PNP Small Signal TH	0 EA	.0 A Y	4.000000
2	550 09-00-5401	Ref: Q8, Q11, Q30, Q33 TRANSISTOR, PNP SMALL SIGNAL	0 EA	.0 A Y	8.000000
2	560 09-00-5551	Ref: Q4, Q5, Q12, Q15, Q27, Q28, Q34, Q37 TRANSISTOR, NPN SMALL SIGNAL	0 EA	.0 A Y	12.000000
2	570 09-03-0031	Ref: Q1-Q3, Q9, Q13, Q14, Q24-Q26, Q31, Q35, Q36 TRANSISTOR, NPN MED POWER TIP31C	0 EA	.0 A Y	6.000000
2	580 09-03-0032	Ref: Q7, Q16, Q22, Q38, Q45, Q50 TRANSISTOR, PNP MED POWER TIP32C	0 EA	.0 A Y	5.000000

2	590 09-03-0035 TIP35C	Ref: Q17, Q23, Q39, Q41, Q48 TRANSISTOR, NPN POWER	0 EA	.0 A Y	4.000000
2	600 09-03-0036 TIP36C	Ref: Q20, Q21, Q44, Q46 TRANSISTOR, PNP POWER	0 EA	.0 A Y	4.000000
2	610 12-02-7805	Ref: Q18, Q19, Q40, Q42 Regulator, +5v, 1.5 Amp TH	0 EA	.0 A Y	1.000000
2	615 12-02-7815	Ref: U3 REGULATOR, +15V, 1AMP	0 EA	.0 A Y	1.000000
2	620 12-02-7915	Ref: U5 REGULATOR, -15V, 1AMP	0 EA	.0 A Y	1.000000
2	630 12-04-0074	Ref: U5 QUAD OP AMP TH TL074	0 EA	.0 A Y	3.000000
2	640 12-08-0339	Ref: U6, U7, U8 QUAD COMPARATOR	0 EA	.0 A Y	3.000000
2	650 21-00-6616 6 pin	Ref: U1, U2, U9 JACK 1/4" phone Stereo Female	0 EA	.0 A Y	6.000000
2	660 21-04-5075 LN 05075	Ref: J2, J3, J7, J8, J9, J10 JACK MIDI 5 pin DIN female	0 EA	.0 A Y	1.000000
2	670 21-16-0045	Ref: J5 CON RJ-45 female 8 conductor	0 EA	.0 A Y	1.000000
2	680 21-18-4301 pcb mount	Ref: J6 Conn. quick discon, 1/4"	0 EA	.0 A Y	5.000000
2	690 21-20-0202	Header 2-Pin 2MM	0 EA	.0 A Y	2.000000
2	700 21-20-0205	Ref: M9, M10 Header 5-pin 2mm	0 EA	.0 A Y	1.000000
2	710 21-23-1302	Ref: M4 HEADER, 26 PIN 0.1" RIBBON	0 EA	.0 A Y	1.000000
2	711 21-34-0200	Ref: M1 Cable Assembly, 20mm Faston	0 EA	.0 A Y	1.000000

YELLOW W/ BLACK

2	712 21-34-0204	Ref: H8 Cable Assy, yellow, Faston	0 EA	.0	A	Y	2.000000
2	713 21-34-0205	Ref: H7,H9 Cable Assy, Orange, Faston	0 EA	.0	A	Y	2.000000
2	720 24-09-3003	Ref: H10,H11 DPDT SWITCH	0 EA	.0	A	Y	1.000000
2	730 30-00-3684 ZINC	Ref: SW1 10-24x3/4 PH TRUSS MACH. SCREW	0 EA	.0	A	Y	1.000000
2	732 30-06-0024	NUT 10-24 with nylon insert	0 EA	.0	A	Y	1.000000
2	735 30-51-0055	Heat Sink, Diode, FHD	0 EA	.0	A	Y	1.000000
2	736 30-51-0056	Black tubing, HD Rear, 3M	0 FT	.0	A	Y	.625000
1	510 50-00-0062	FHD AC & IN PCBA	0 EA	.0	A	Y	1.000000
2	10 03-01-0103	CAP 10nF 250V 20% CER DISC TH	0 EA	.0	A	Y	1.000000
2	20 11-10-2020	Ref: C35 Wide band choke 1-5 turns	0 EA	.0	A	Y	2.000000
2	30 21-00-6616 6 pin	Ref: L1, L2 JACK 1/4" phone Stereo Female	0 EA	.0	A	Y	1.000000
2	40 21-14-0001 grounded	Ref: J1 POWER AC receptacle standard SS-7B-1	0 EA	.0	A	Y	1.000000
2	50 21-18-4301 pcb mount	Ref: J3 Conn. quick discon,1/4"	0 EA	.0	A	Y	7.000000
2	60 21-20-0204	Ref: M3-M9 Header 4-pin 2MM	0 EA	.0	A	Y	1.000000

		Ref: M1					
2	70 21-34-1116	Cable, Earthing FHD green with yellow strip	0 EA	.0	A	Y	1.000000
		Ref: J3					
2	80 21-34-2300	Cable, FHD AC switch black w/white stripe	0 EA	.0	A	Y	1.000000
		Ref: W3					
2	90 21-34-2900	Cable Assy, HD A/C , black	0 EA	.0	A	Y	1.000000
		Ref: W2					
2	100 21-34-2902	Cable Assy, HD A/C, black w/red strip	0 EA	.0	A	Y	1.000000
		Ref: W2					
2	110 21-48-9521	FUSE HOLDER CLIP p/n 19521	0 EA	.0	A	Y	2.000000
		Ref: F1					
1	520 50-00-0063	FHD Lamp PCBA	0 EA	.0	A	Y	1.000000
2	10 01-16-0822	RES 8.2K 1/2W 5% DIP TH	0 EA	.0	A	Y	8.000000
		Ref: R1 - R8					
2	20 18-48-0010	LAMP NEON Lumex P/N GT-NE6E1925T ONLY	0 EA	.0	A	Y	8.000000
		Ref: L1-L8					
2	30 21-34-3000	Cable, Lamp Assy. FHD blk w/white stripe	0 EA	.0	A	Y	1.000000
		Ref: W1					
2	40 21-34-3002	Cable, Lamp Assy. FHD red w/white stripe	0 EA	.0	A	Y	1.000000
		Ref: W2					
1	530 50-00-0064	FHD XLR PCBA	0 EA	.0	A	Y	1.000000
2	10 21-08-0003	JACK XLR MALE XLM-3PH	0 EA	.0	A	Y	2.000000

Ref: J1,J2

2	20 21-20-1205	Header, 5pin, 2mm, side entry	0 EA	.0	A	Y	1.000000
---	---------------	-------------------------------	------	----	---	---	----------

Ref: M4

1	540 50-00-0065	FHD Wood Box Assembly	0 EA	.0	A	Y	1.000000
2	20 30-00-0812	Screw,#8x3/4,Philips Truss(A) T/S,Black Oxide W/WAX (CORNER)	0 EA	.0	A	Y	16.000000
2	40 30-06-1024	NUT 10-24 X 5/16 Tee Plain steel, Tape/reel package	0 EA	.0	A	Y	2.000000
2	50 30-27-1010	VENT PLASTIC TRIM	0 EA	.0	A	Y	3.000000
2	60 30-30-1530	TEXTURED CORNERS, W/ 2 legs & a cut out	0 EA	.0	A	Y	8.000000
2	70 30-36-0001	FAB Vinyl Black-Axsys 212 ASC03 Black Bronco 54" Wide	0 YD	.0	A	Y	.625000
2	80 30-48-1686	Rubber Feet, AX2-HD-XL-212s	0 EA	.0	A	Y	4.000000



Service Dept.

6033 De Soto Ave.

Woodland Hills, CA 91367

P. 818-575-3600

F. 818-676-1585

E. service@line6.com

Procedure for reinitialization of Flexitone and Flexitone 2 amps
(Hard reset)

Power unit up while holding down the A, B, C, and D buttons. Hold for 3 seconds and then release. Factory presets will be re-installed.

Procedure for identifying firmware version of Flexitone and
Flexitone 2 amps

Power unit up while holding down the “C” button. “D” button will flash for major version; “Save” button will flash for minor version.

Example: For Flexitone 2.1 software, the “D” button will flash 2 times and then the “Save” button will flash once.

Biasing Procedure for Flexitone HD

Right Channel

1. Connect Multimeter across one of the resistors **R28, R25, R26 or R29**.
2. Set the range on multimeter to mV.
3. Connect ¼" phone plug to one of the speaker outputs.
4. Turn pot **R13** counterclockwise all the way.
5. Turn on the power.
6. Slowly turn the **R13** pot clockwise until voltage appears on multimeter. Turn it back slowly until voltage just barely hits zero.

Left Channel

1. Connect multimeter across one of the resistors **R52, R55, R53 or R56**.
2. Set the range on multimeter to mV.
3. Connect ¼" phone plug to one of the speaker outputs.
4. Turn pot **R42** counterclockwise all the way.
5. Turn on the power.
6. Slowly turn **R42** clockwise until voltage appears on multimeter. Turn it back slowly until voltage just barely hits zero.