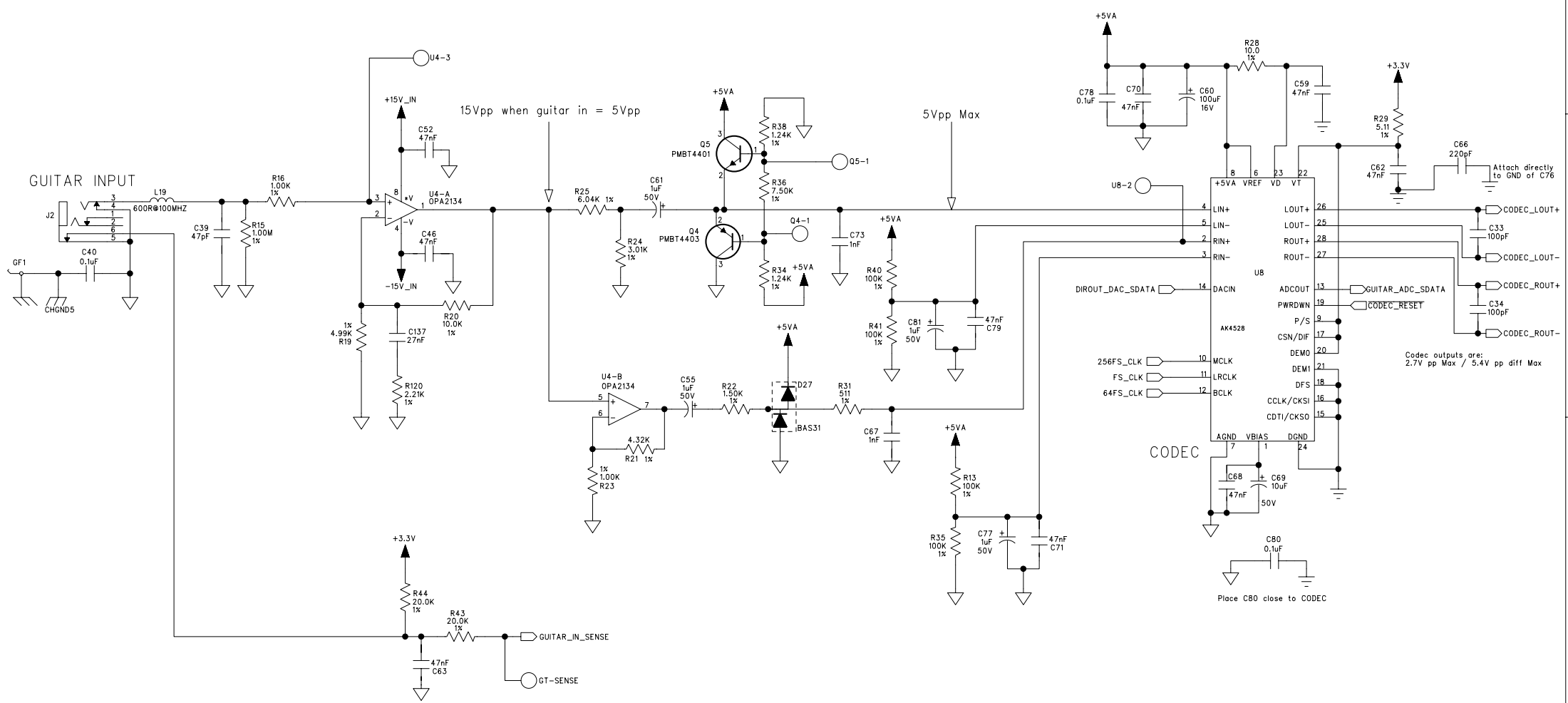


ANALOG IN

| ECOs INCLUDED ON THIS SCHEMATIC/PCB REVISION | | |
|--|----------|--|
| ECO NO: | DATE: | DESCRIPTION: |
| 0313603 | 05.16.03 | Moved trace shorting to NUT Added PCB A ID boxes. NO PART CHANGES |



Codec outputs are:
2.7V pp Max / 5.4V pp diff Max

Place C80 close to CODEC

THE INFORMATION CONTAINED IN THIS DRAWING IS THE SOLE PROPERTY OF LINE 6 INC. ANY REPRODUCTION IN PART OR WHOLE WITHOUT THE WRITTEN PERMISSION OF LINE 6 INC. IS PROHIBITED

This board: All resistors are 1% Tolerance

| | |
|---|------------------|
| COMPANY: LINE 6 | REV: E |
| TITLE: SHARCPD/BOD MAIN ANALOG IN | |
| PROGRAM: PADS POWER LOGIC V4 | |
| FILENAME: ...Sharcpod/Electrical/Schematic/Main/Rev D/Sharcpod Main Rev D.sch | |
| DRAWN: D. MOLNAR | DATED: 3/12/2003 |
| CHECKED: Name (F.Last) | DATED: 00/00/01 |
| SCALE: 1:1 | SIZE: C |
| PART NUMBER: 35-00-0134 | SHEET: 1 OF 9 |

6

5

4

3

2

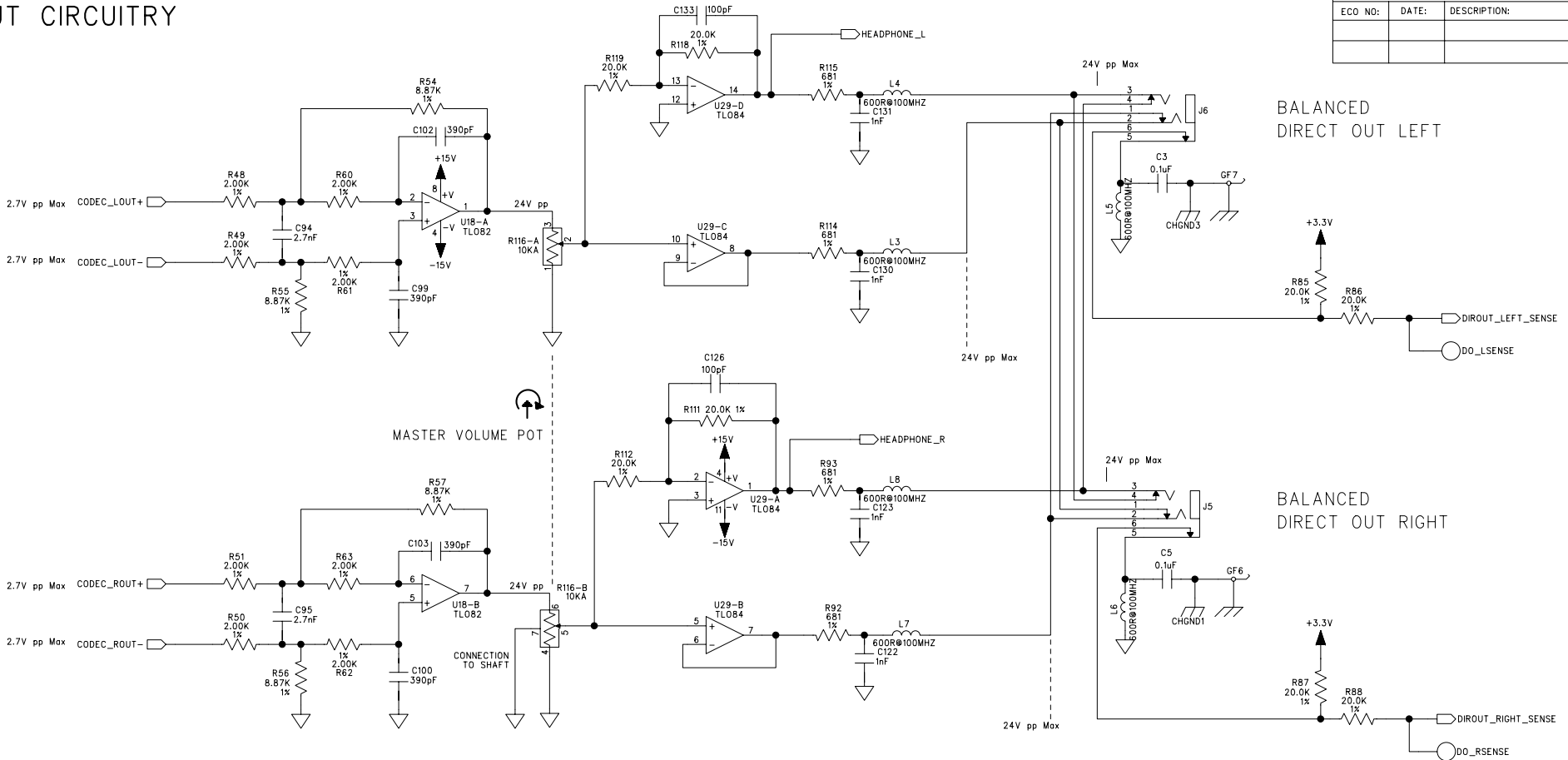
1

AUDIO OUTPUT CIRCUITRY

| ECOs INCLUDED ON THIS SCHEMATIC/PCB REVISION | | |
|--|-------|--------------|
| ECO NO: | DATE: | DESCRIPTION: |
| | | |
| | | |

D

D

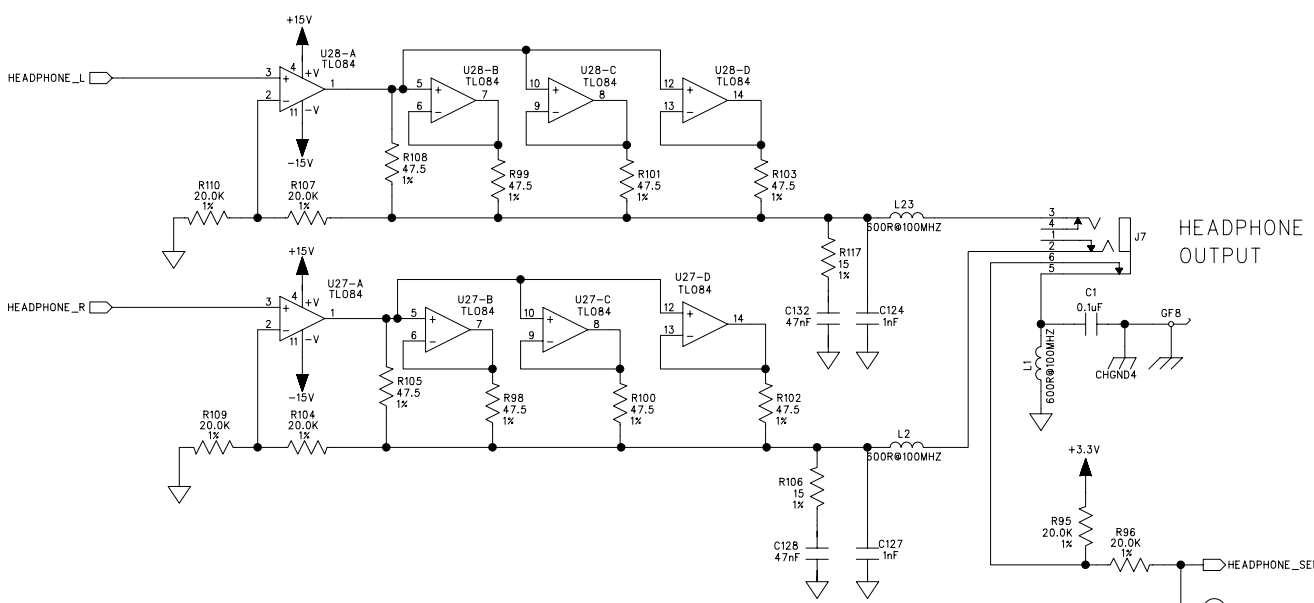


C

C

B

B



A

A

HEADPHONE AMPLIFIER

THE INFORMATION CONTAINED IN THIS DRAWING IS THE SOLE PROPERTY OF LINE 6 INC. ANY REPRODUCTION IN PART OR WHOLE WITHOUT THE WRITTEN PERMISSION OF LINE 6 INC. IS PROHIBITED

| | |
|-------------------------|---|
| COMPANY: | LINE 6 |
| TITLE: | SHARCPD/BOD MAIN AUDIO OUT |
| PROGRAM: | PADS POWER LOGIC V4 |
| FILENAME: | ...Sharcpod/Electrical/Schematic/Main/Rev D/Sharcpod Main Rev D.sch |
| SCALE: 1:1 | SIZE: C |
| PART NUMBER: 35-00-0134 | SHEET: 2 OF 9 |

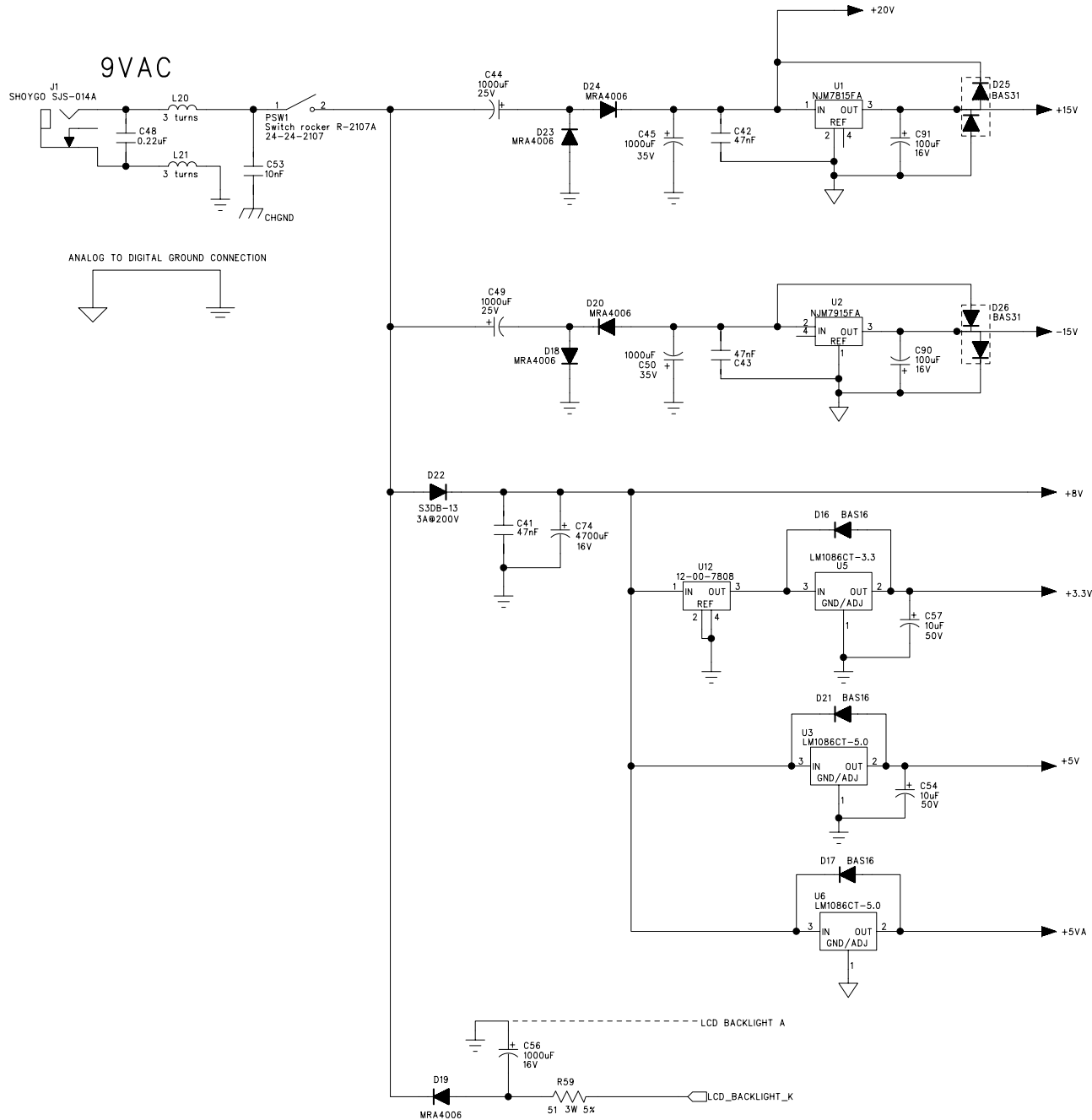
| | | | |
|----------|---------------|--------|-----------|
| DRAWN: | D. MOLNAR | DATED: | 3/12/2003 |
| CHECKED: | Name (F.Last) | DATED: | 00/00/01 |

REV: E

| ECOs INCLUDED ON THIS SCHEMATIC/PCB REVISION | | |
|--|-------|--------------|
| ECO NO: | DATE: | DESCRIPTION: |
| | | |
| | | |

POWER SECTION

D



C

B

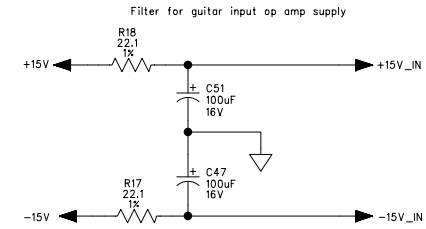
A

D

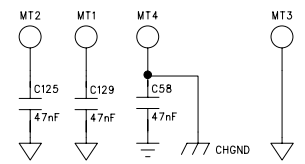
C

B

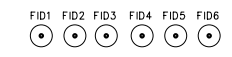
A



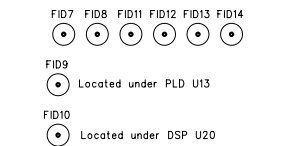
BOARD MOUNTING HOLES



TOP SIDE FIDUCIALS



BOTTOM SIDE FIDUCIALS



THE INFORMATION CONTAINED IN THIS DRAWING IS THE SOLE PROPERTY OF LINE 6 INC. ANY REPRODUCTION IN PART OR WHOLE WITHOUT THE WRITTEN PERMISSION OF LINE 6 INC. IS PROHIBITED

| | |
|-------------------------|---|
| COMPANY: | LINE 6 |
| TITLE: | SHARCPD/BOD MAIN POWER |
| PROGRAM: | PADS POWER LOGIC V4 |
| FILENAME: | ...Sharcpod/Electrical/Schematic/Main/Rev D/Sharcpod Main Rev D.sch |
| SCALE: 1:1 | SIZE: C |
| PART NUMBER: 35-00-0134 | SHEET: 3 OF 9 |

| | |
|---------------|-----------|
| DRAWN: | DATED: |
| D. MOLNAR | 3/12/2003 |
| CHECKED: | DATED: |
| Name (F.Last) | 00/00/01 |

REV: E

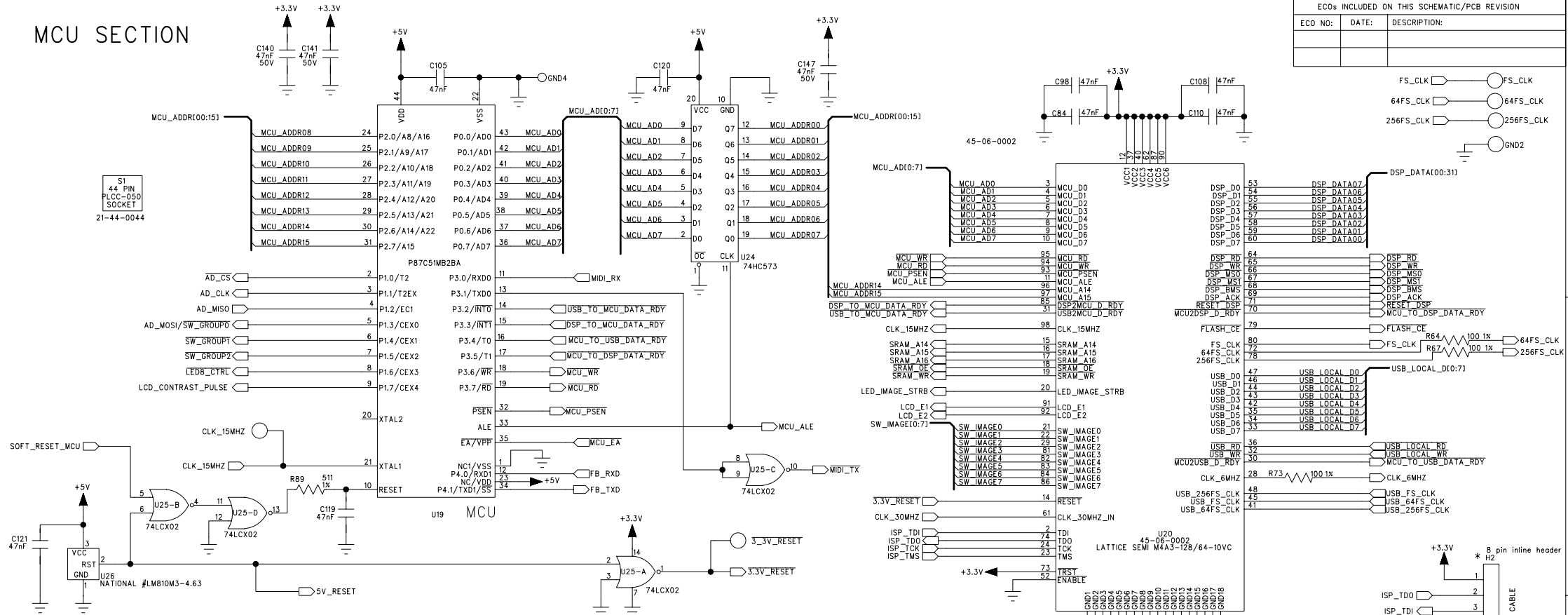
MCU SECTION

D

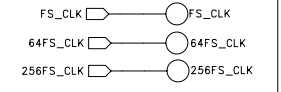
C

B

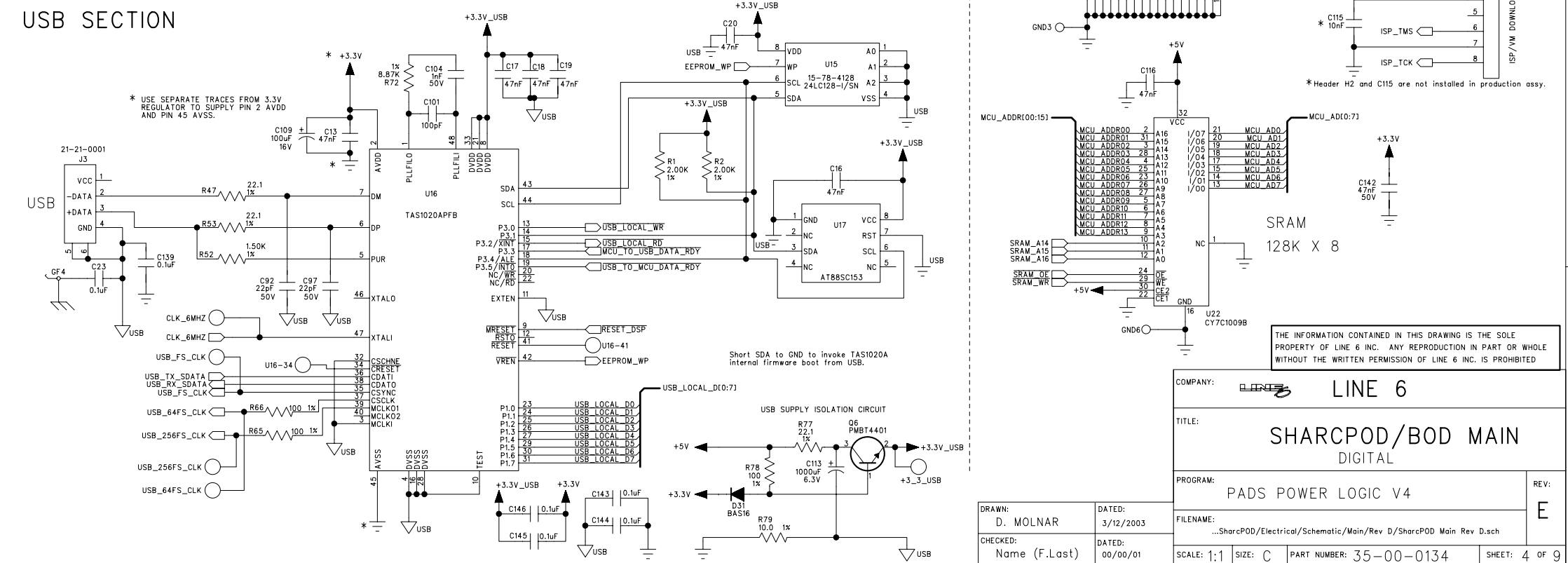
A



| ECOs INCLUDED ON THIS SCHEMATIC/PCB REVISION | | |
|--|-------|--------------|
| ECO NO: | DATE: | DESCRIPTION: |
| | | |



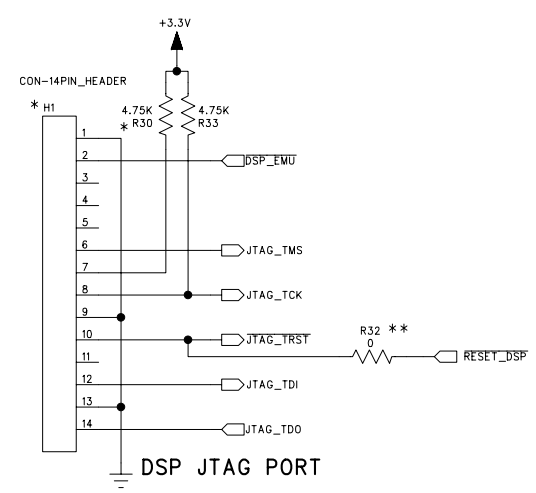
USB SECTION



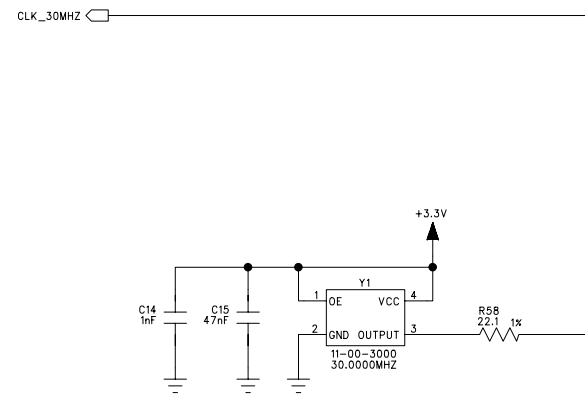
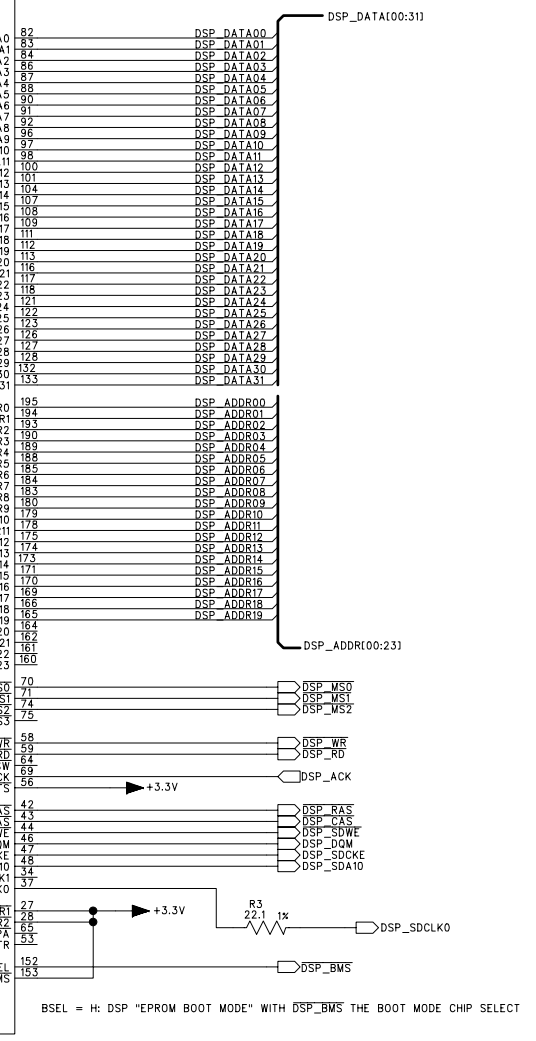
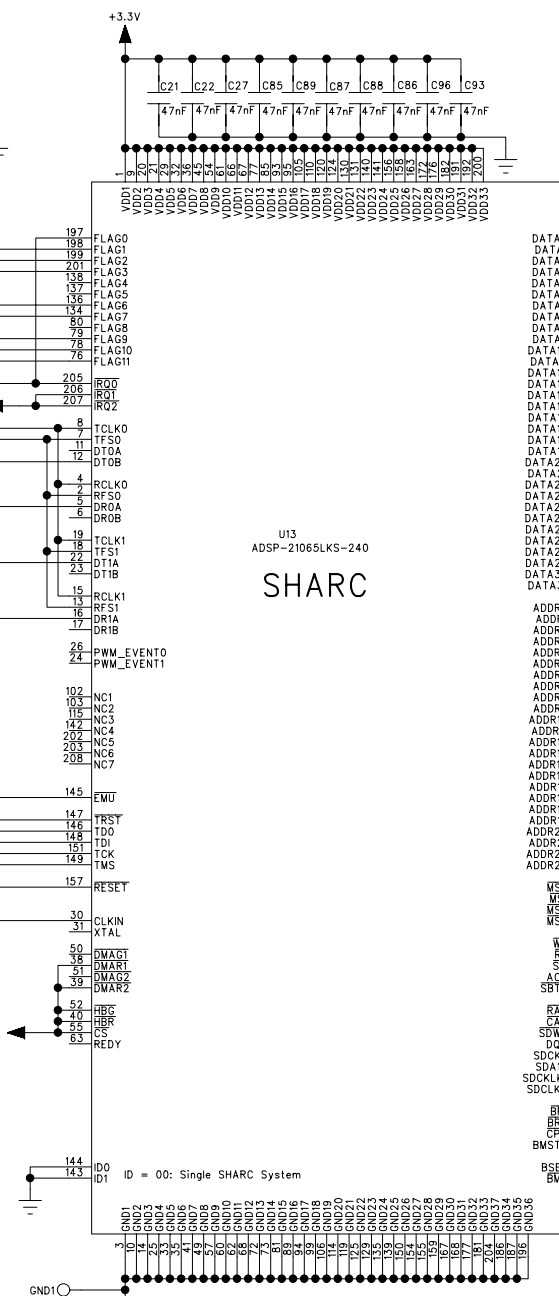
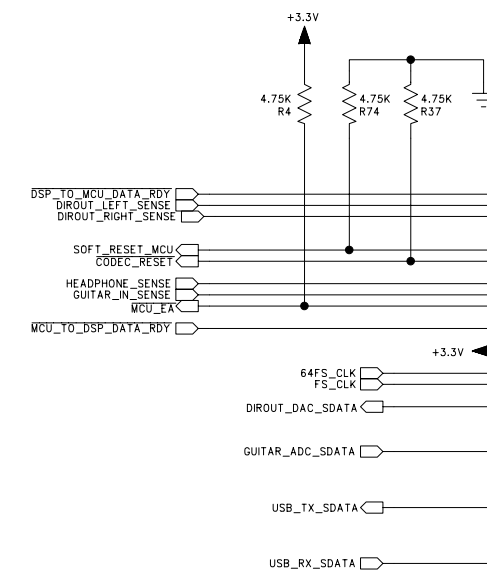
THE INFORMATION CONTAINED IN THIS DRAWING IS THE SOLE PROPERTY OF LINE 6 INC. ANY REPRODUCTION IN PART OR WHOLE WITHOUT THE WRITTEN PERMISSION OF LINE 6 INC. IS PROHIBITED

| | | | |
|--------------|---|--------|-----------|
| COMPANY: | LINE 6 | | |
| TITLE: | SHARCPD/BOD MAIN DIGITAL | | |
| PROGRAM: | PADS POWER LOGIC V4 | | |
| FILENAME: | ...Sharcpod/Electrical/Schematic/Main/Rev D/Sharcpod Main Rev D.sch | | |
| DRAWN: | D. MOLNAR | DATED: | 3/12/2003 |
| CHECKED: | Name (F.Last) | DATED: | 00/00/01 |
| SCALE: | 1:1 | SIZE: | C |
| PART NUMBER: | 35-00-0134 | SHEET: | 4 OF 9 |

| ECOs INCLUDED ON THIS SCHEMATIC/PCB REVISION | | |
|--|-------|--------------|
| ECO NO: | DATE: | DESCRIPTION: |
| | | |
| | | |



* Do Not Install H1 and R30 in Production Assy.
 ** Remove R32 when using the DSP emulator.



THE INFORMATION CONTAINED IN THIS DRAWING IS THE SOLE PROPERTY OF LINE 6 INC. ANY REPRODUCTION IN PART OR WHOLE WITHOUT THE WRITTEN PERMISSION OF LINE 6 INC. IS PROHIBITED

| | |
|-------------------------|---|
| COMPANY: | LINE 6 |
| TITLE: | SHARCPD/BOD MAIN DSP |
| PROGRAM: | PADS POWER LOGIC V4 |
| FILENAME: | ...SharCPD/Electrical/Schematic/Main/Rev D/SharCPD Main Rev D.sch |
| SCALE: 1:1 | SIZE: C |
| PART NUMBER: 35-00-0134 | SHEET: 5 OF 9 |

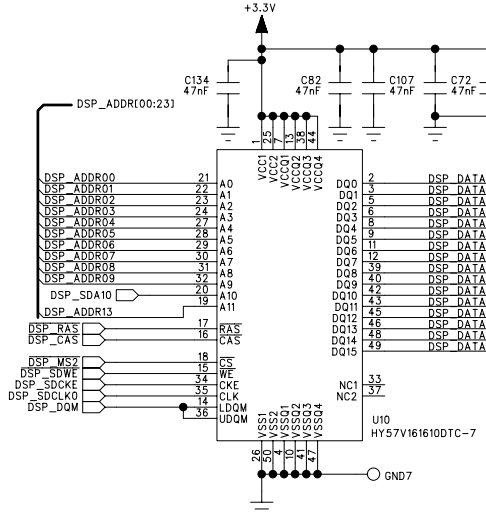
| | |
|---------------|-----------|
| DRAWN: | DATED: |
| D. MOLNAR | 3/12/2003 |
| CHECKED: | DATED: |
| Name (F.Last) | 00/00/01 |

REV: E

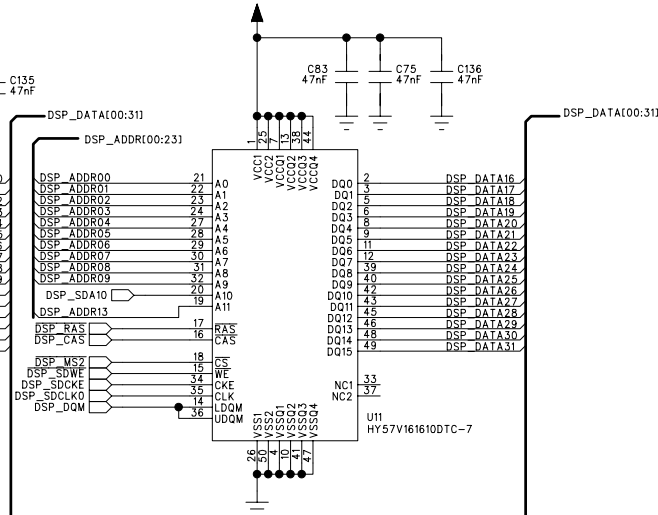
DSP MEMORY

| ECOs INCLUDED ON THIS SCHEMATIC/PCB REVISION | | |
|--|-------|--------------|
| ECO NO: | DATE: | DESCRIPTION: |
| | | |

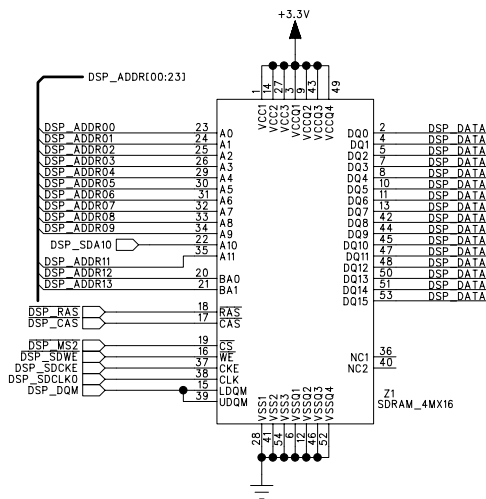
SDRAM LOWER 1M X 16



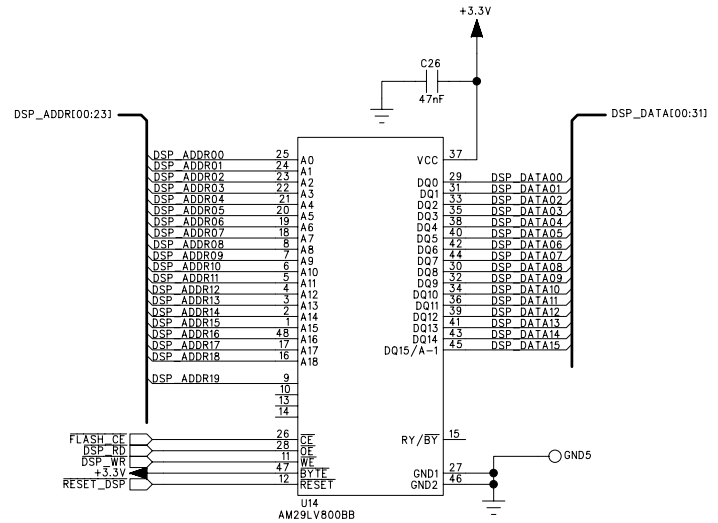
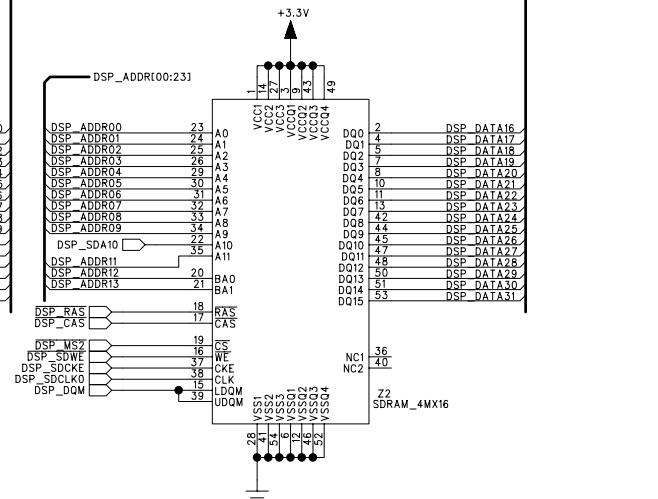
SDRAM UPPER 1M X 16



SDRAM LOWER 4M X 16



SDRAM UPPER 4M X 16



FLASH MEMORY

NOTE: The PCB layout is configured to install Either the 1M X 16 or the 4M X 16 parts but not both!

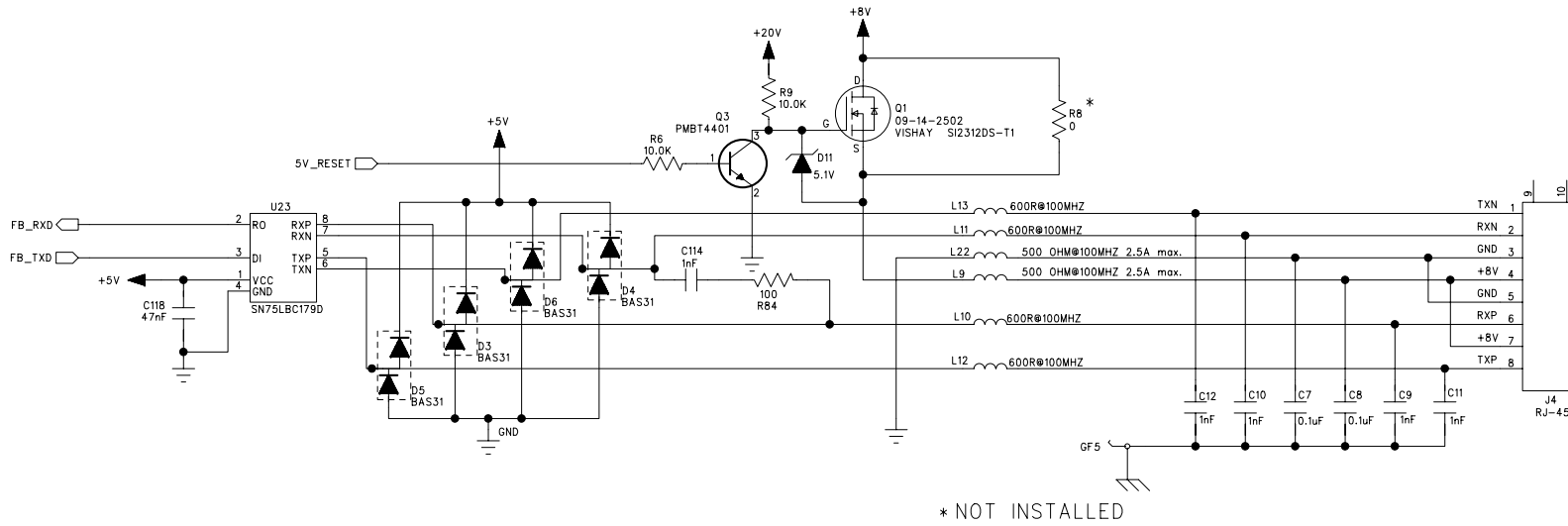
| | |
|-------------------------|---|
| COMPANY: | LINE 6 |
| TITLE: | SHARCPD/BOD MAIN DSP MEMORY |
| PROGRAM: | PADS POWER LOGIC V4 |
| FILENAME: | ...SharcpOD/Electrical/Schematic/Main/Rev D/SharcpOD Main Rev D.sch |
| SCALE: 1:1 | SIZE: C |
| PART NUMBER: 35-00-0134 | SHEET: 6 OF 9 |

| | |
|------------------------|------------------|
| DRAWN: D. MOLNAR | DATED: 3/12/2003 |
| CHECKED: Name (F.Last) | DATED: 00/00/01 |

REV: E

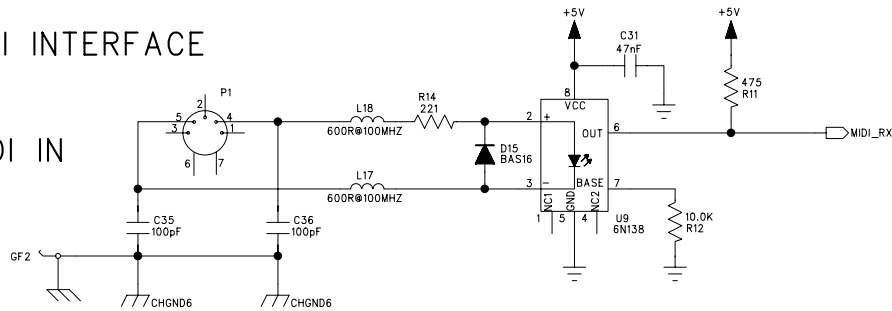
FBX CLASS FOOT CONTROLLER INTERFACE

| ECOs INCLUDED ON THIS SCHEMATIC/PCB REVISION | | |
|--|-------|--------------|
| ECO NO: | DATE: | DESCRIPTION: |
| | | |
| | | |

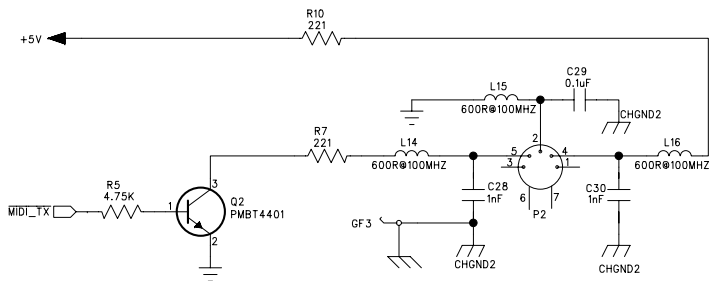


MIDI INTERFACE

MIDI IN



MIDI OUT



THE INFORMATION CONTAINED IN THIS DRAWING IS THE SOLE PROPERTY OF LINE 6 INC. ANY REPRODUCTION IN PART OR WHOLE WITHOUT THE WRITTEN PERMISSION OF LINE 6 INC. IS PROHIBITED

| | | |
|---|---------|---------------|
| COMPANY: LINE 6 | | REV: E |
| TITLE: SHARCPD/BOD MAIN INTERFACE | | |
| PROGRAM: PADS POWER LOGIC V4 | | SHEET: 7 OF 9 |
| FILENAME: ...Sharcpod/Electrical/Schematic/Main/Rev D/Sharcpod Main Rev D.sch | | |
| SCALE: 1:1 | SIZE: C | |

| | |
|------------------------|------------------|
| DRAWN: D. MOLNAR/-db | DATED: 3/12/2003 |
| CHECKED: Name (F.Last) | DATED: 00/00/01 |

6

5

4

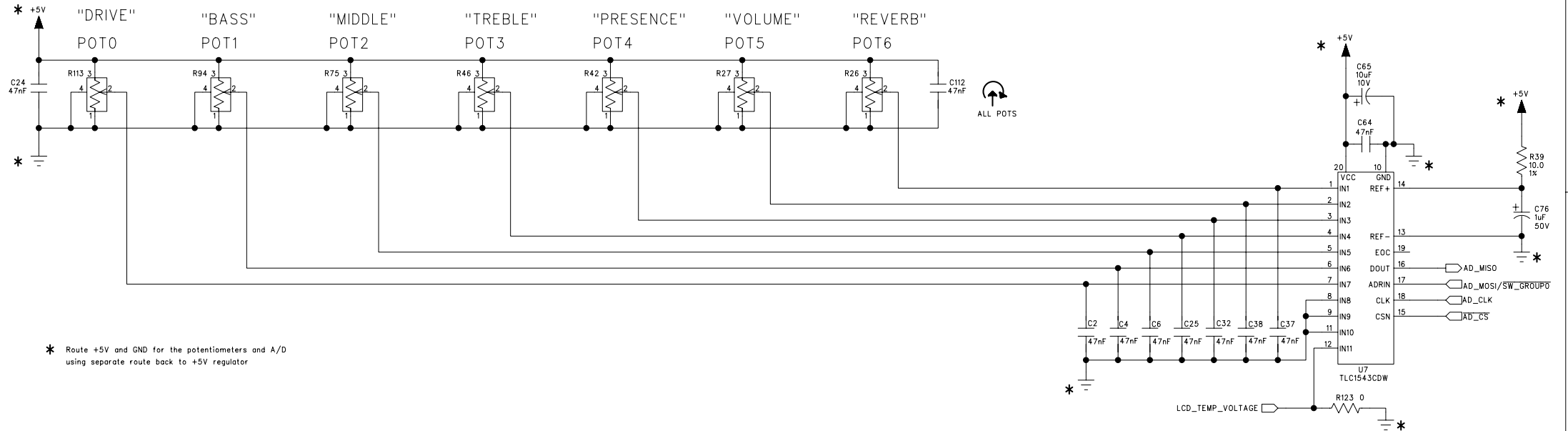
3

2

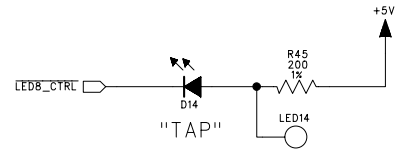
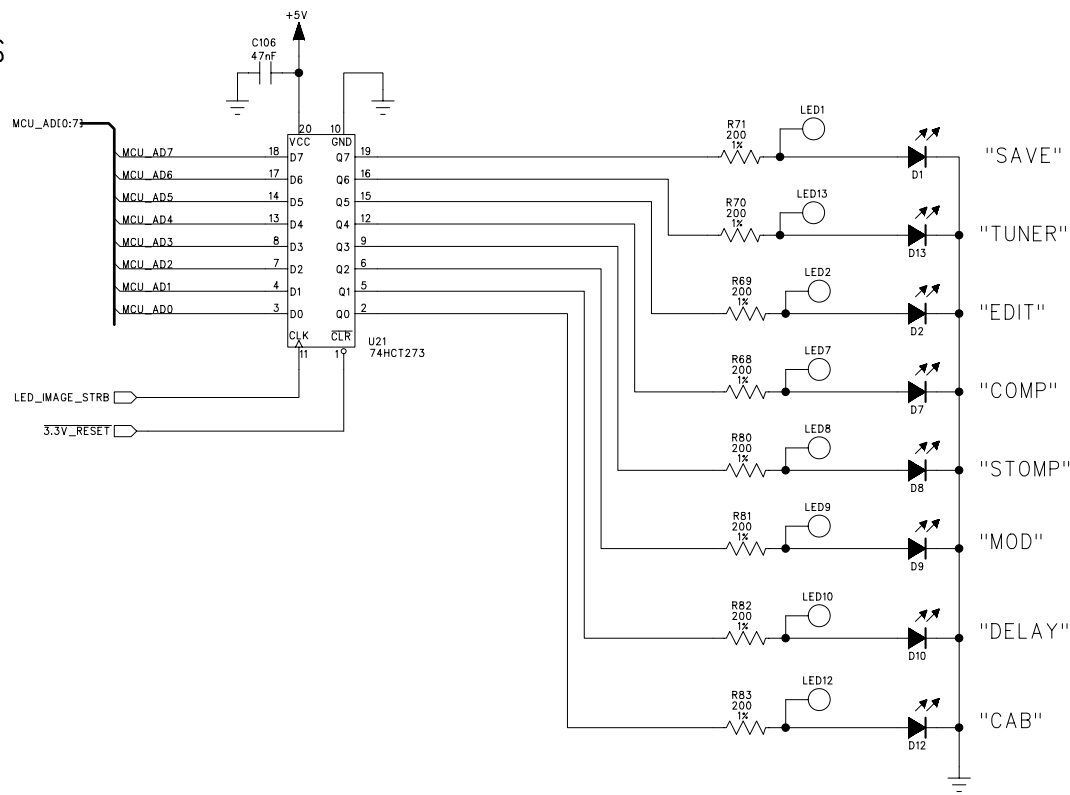
1

| ECOs INCLUDED ON THIS SCHEMATIC/PCB REVISION | | |
|--|-------|--------------|
| ECO NO: | DATE: | DESCRIPTION: |
| | | |
| | | |

POTENTIOMETERS



LEDS



| | | |
|------------|---|-------------------------|
| COMPANY: | | LINE 6 |
| TITLE: | SHARCPD/BOD MAIN POTS / LEDES | |
| PROGRAM: | PADS POWER LOGIC V4 | REV: E |
| FILENAME: | ...Sharcpod/Electrical/Schematic/Main/Rev D/Sharcpod Main Rev D.sch | |
| DRAWN: | D. MOLNAR | DATED: 3/12/2003 |
| CHECKED: | Name (F.Last) | DATED: 00/00/01 |
| SCALE: 1:1 | SIZE: C | PART NUMBER: 35-00-0134 |
| SHEET: 8 | | OF 9 |

6

5

4

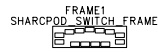
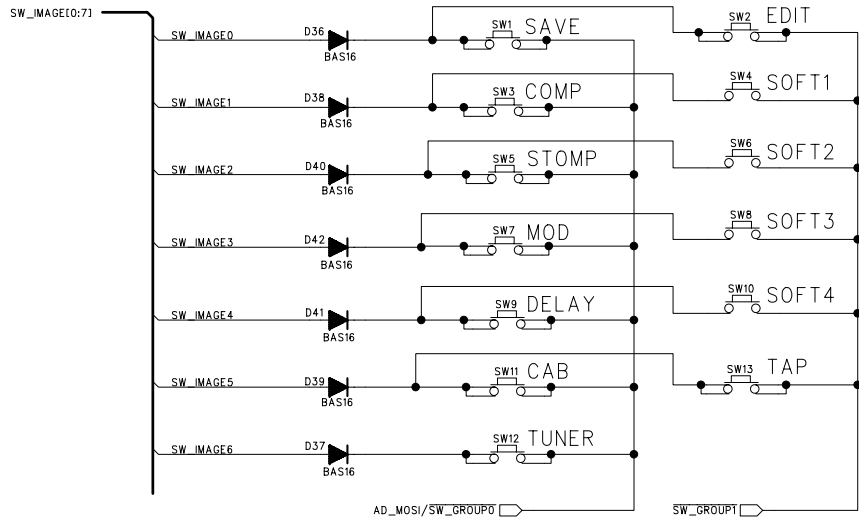
3

2

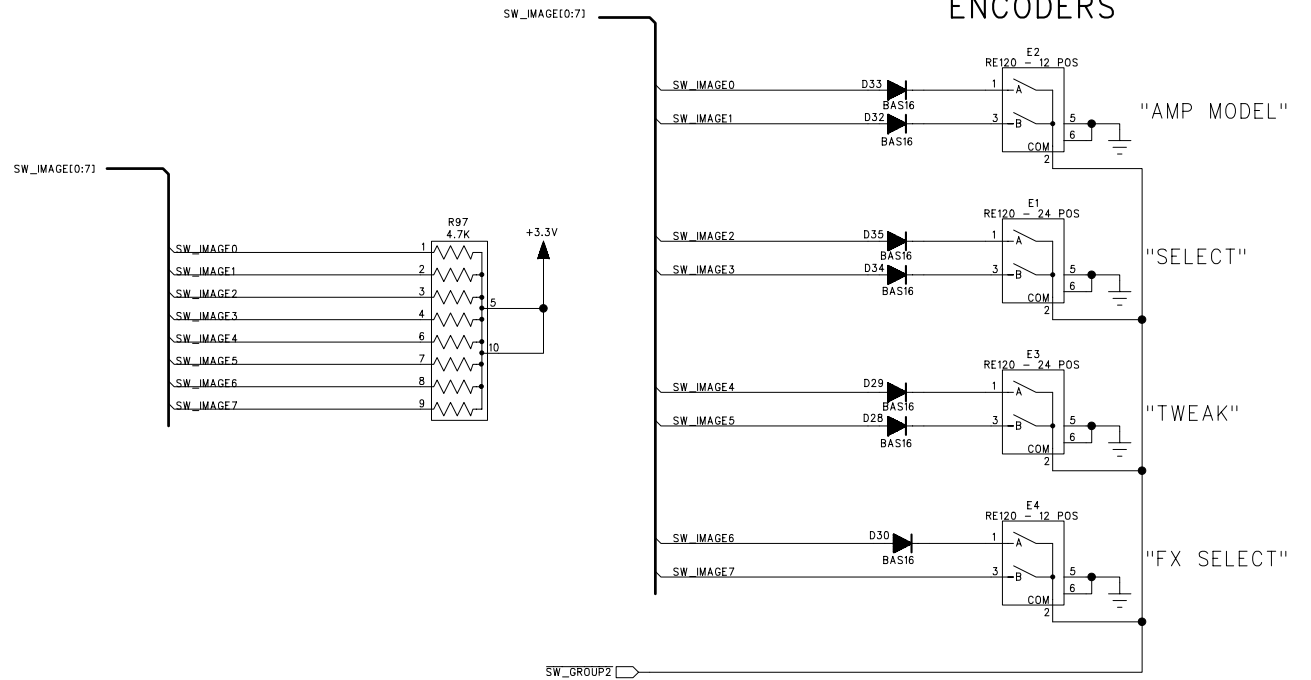
1

| ECOs INCLUDED ON THIS SCHEMATIC/PCB REVISION | | |
|--|-------|--------------|
| ECO NO: | DATE: | DESCRIPTION: |
| | | |
| | | |

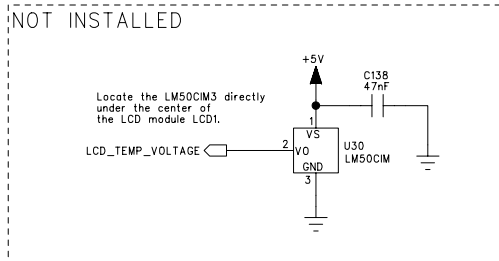
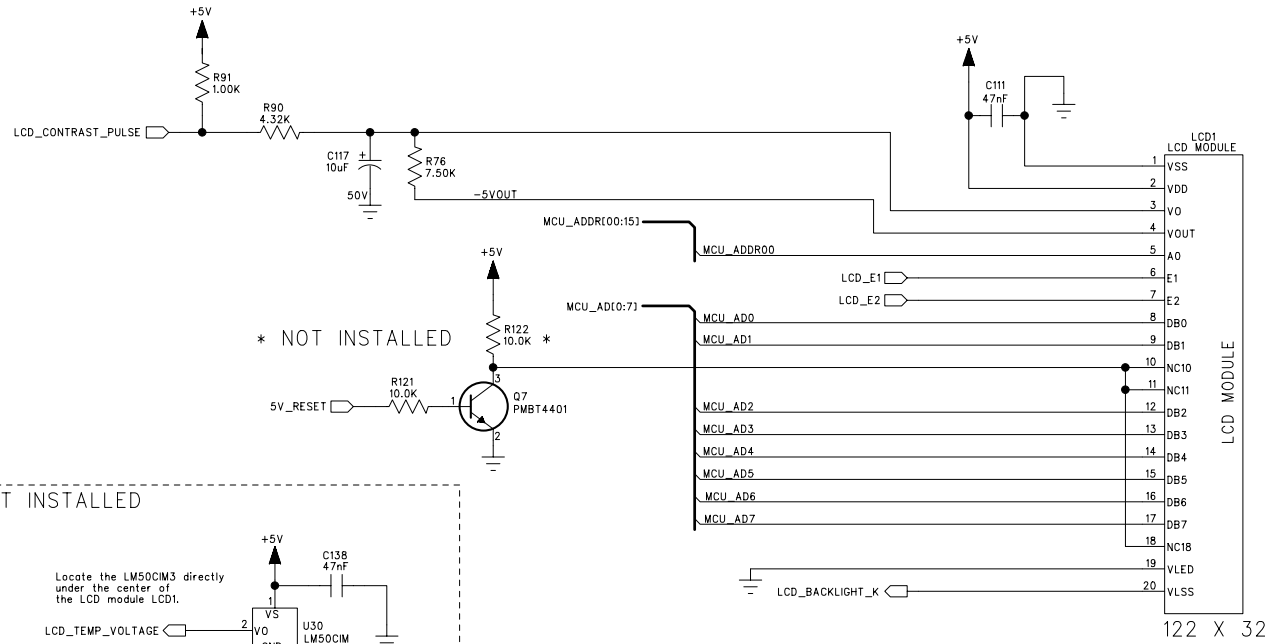
SWITCHES



ENCODERS



LCD MODULE AND SUPPORT CIRCUITRY



| | | | |
|---|---------|-------------------------|---------------|
| COMPANY: | | LINE 6 | |
| TITLE: SHARCPD/BOD MAIN SWITCHES / ENCODERS / LCD | | | |
| PROGRAM: PADS POWER LOGIC V4 | | REV: E | |
| DRAWN: D. MOLNAR | | DATED: 3/12/2003 | |
| CHECKED: Name (F.Last) | | DATED: 00/00/01 | |
| SCALE: 1:1 | SIZE: C | PART NUMBER: 35-00-0134 | SHEET: 9 OF 9 |

99-060-0505

Bass Pod XT

| Part Number | Description | Qty Per Parent | SC Cost | MSRP | Reference Designator |
|-------------|---|----------------|------------------|------------------|----------------------|
| 11-32-0000 | XFMR PX2 120VAC/60Hz 9VAC/2A UL 2464 VW-1 6FT. BLK US | 1 | \$3.59 | \$5.39 | |
| 21-34-2001 | CBL USB w/FERRITE 2 METER HIGH SPEED BLK | 1 | N/A at this time | N/A at this time | |
| 30-00-1632 | SCREW 6-32 x 3/8IN PPB TAP-TITE STL | 4 | \$0.05 | \$0.08 | |
| 30-27-0025 | KNOB SM ENCDR .55Dx.57 H IMP ABS MICROTEx | 2 | \$0.18 | \$0.27 | |
| 30-27-0027 | KNOB LGE ENCDR .80Dx.60 H IMP ABS MICROTEx | 2 | \$0.20 | \$0.30 | |
| 30-27-0055 | BEZEL USER PANEL POLYCARBONATE(PLASTIC) | 1 | \$0.51 | \$0.77 | |
| 30-42-0160 | LABEL PATENT U.S. POD/BOD-XT | 1 | N/A at this time | N/A at this time | |
| 30-45-2000 | KNOB POT PLASTIC BLACK w/WHITEINDICATOR LINE | 8 | \$0.18 | \$0.27 | |
| 30-48-0010 | FOOT RUBBER POD/BOD-SERIES/ MINISTOMP | 4 | \$0.11 | \$0.17 | |
| 30-51-0160 | SHELL BASE 8.0x5.05 AL BLACK SHARCBOD | 1 | N/A at this time | N/A at this time | |
| 30-60-2013 | LOGO LINE6 CAST-ALUMN BLK/SILV1.5" | 1 | \$0.57 | \$0.86 | |
| 40-25-0020 | LABEL INSPECTION QUALITY | 1 | \$0.06 | \$0.09 | |
| 40-25-0101 | LABEL BAR CODE S/N 2-PNL LTX 16 1125502 | 1 | \$0.08 | \$0.12 | |
| 50-02-0134 | PCBA MAIN SHARCBOD | 1 | N/A at this time | N/A at this time | |
| 50-03-0201 | ASSY SHELL TOP w/ARTWORK SHARCBOD | 1 | N/A at this time | N/A at this time | |

50-02-0134

Bass Pod XT Main PCBA

| Part Number | Description | Qty Per Parent | SC Cost | MSRP | Reference Designator |
|-------------|--|----------------|------------------|------------------|--|
| 01-00-0000 | RES 0R 5% 0805 | 2 | N/A at this time | N/A at this time | R32, R123 |
| 01-23-0510 | RES METAL OXIDE 51R 3W 5% TH FORMED LEADS @ 20mm SPACING | 1 | N/A at this time | N/A at this time | R59 |
| 01-24-1000 | RES 100R 1% 0805 | 7 | N/A at this time | N/A at this time | R64, R65, R66, R67, R73, R78, R84 |
| 01-24-1001 | RES 1.00K 1% 0805 | 3 | N/A at this time | N/A at this time | R16, R23, R91 |
| 01-24-1002 | RES 10.0K 1% 0805 | 5 | N/A at this time | N/A at this time | R6, R9, R12, R20, R121 |
| 01-24-1003 | RES 100K 1% 0805 | 4 | N/A at this time | N/A at this time | R13, R35, R40, R41 |
| 01-24-1004 | RES 1.00M 1% 0805 | 1 | N/A at this time | N/A at this time | R15 |
| 01-24-10R0 | RES 10.0R 1% 0805 | 3 | N/A at this time | N/A at this time | R28, R39, R79 |
| 01-24-1241 | RES 1.24K 1% 0805 | 2 | N/A at this time | N/A at this time | R34, R38 |
| 01-24-1501 | RES 1.50K 1% 0805 | 2 | N/A at this time | N/A at this time | R22, R52 |
| 01-24-15R0 | RES 15R 1% 0805 | 2 | N/A at this time | N/A at this time | R106, R117 |
| 01-24-2000 | RES 200R 1% 0805 | 9 | N/A at this time | N/A at this time | R45, R68, R69, R70, R71, R80, R81, R82, R83 |
| 01-24-2001 | RES 2.00K 1% 0805 | 10 | N/A at this time | N/A at this time | R1, R2, R48, R49, R50, R51, R60, R61, R62, R63 |
| 01-24-2002 | RES 20.0K 1% 0805 | 16 | N/A at this time | N/A at this time | R43, R44, R85, R86, R87, R88, R95, R96, R104, R107, R109, R110, R111, R112, R118, R119 |
| 01-24-2210 | RES 221R 1% 0805 | 3 | N/A at this time | N/A at this time | R7, R10, R14 |
| 01-24-2211 | RES 2.21K 1% 0805 | 1 | N/A at this time | N/A at this time | R120 |
| 01-24-22R1 | RES 22.1R 1% 0805 | 7 | N/A at this time | N/A at this time | R3, R17, R18, R47, R53, R58, R77 |
| 01-24-3011 | RES 3.01K 1% 0805 | 1 | N/A at this time | N/A at this time | R24 |
| 01-24-4321 | RES 4.32K 1% 0805 | 2 | N/A at this time | N/A at this time | R21, R90 |

50-02-0134

Bass Pod XT Main PCBA

| Part Number | Description | Qty Per Parent | SC Cost | MSRP | Reference Designator |
|-------------|---|----------------|------------------|------------------|--|
| 01-24-4750 | RES 475R 1% 0805 | 1 | N/A at this time | N/A at this time | R11 |
| 01-24-4751 | RES 4.75K 1% 0805 | 5 | N/A at this time | N/A at this time | R4, R5, R33, R37, R74 |
| 01-24-47R5 | RES 47.5R 1% 0805 | 8 | \$0.01 | \$0.02 | R98, R99, R100, R101, R102, R103, R105, R108 |
| 01-24-4991 | RES 4.99K 1% 0805 | 1 | N/A at this time | N/A at this time | R19 |
| 01-24-5110 | RES 511R 1% 0805 | 2 | N/A at this time | N/A at this time | R31, R89 |
| 01-24-5R11 | RES 5.11R 1% 0805 | 1 | N/A at this time | N/A at this time | R29 |
| 01-24-6041 | RES 6.04K 1% 0805 | 1 | N/A at this time | N/A at this time | R25 |
| 01-24-6810 | RES 681R 1% 0805 | 4 | N/A at this time | N/A at this time | R92, R93, R114, R115 |
| 01-24-7501 | RES 7.50K1% 0805 | 2 | \$0.01 | \$0.02 | R36, R76 |
| 01-24-8871 | RES 8.87K 1% 0805 | 5 | N/A at this time | N/A at this time | R54, R55, R56, R57, R72 |
| 01-48-0103 | POT MONO 10KB LINEAR TAPER 25 mm D-SHAFT | 7 | \$0.10 | \$0.15 | R26, R27, R42, R46, R75, R94, R113 |
| 01-48-5103 | POT DUAL 10KA AUDIO TAPER 25mm | 1 | \$0.36 | \$0.54 | R116 |
| 01-60-0472 | RES NETWORK 4.7K BUSSED 1/8W 5% SM | 1 | N/A at this time | N/A at this time | R97 |
| 03-10-0106 | CAP ELEC 10uF 10V 20% RADIAL 5/11/5 | 1 | N/A at this time | N/A at this time | C65 |
| 03-10-6108 | CAP ELEC 1000uF 6.3V 20% RADIAL 8/11.5/5 | 1 | N/A at this time | N/A at this time | C113 |
| 03-12-0107 | CAP ELEC 100uF 16V 20% RADIAL 6.3/11/5 | 6 | \$0.04 | \$0.06 | C47, C51, C60, C90, C91, C109 |
| 03-12-0108 | CAP ELEC 1000uF 16V 20% RADIAL 10/16/5 | 1 | \$0.17 | \$0.26 | C56 |
| 03-12-0478 | CAP ELEC 4700uF 16V 20% RADIAL 16/25/7.5 | 1 | \$0.50 | \$0.75 | C74 |
| 03-14-0108 | CAP ELEC 1000uF 25V 20% RADIAL 10/20/5 | 2 | N/A at this time | N/A at this time | C44, C49 |
| 03-16-2108 | CAP ELEC 1000uF 35V 20% 105C RADIAL 12.5/25/5 | 2 | N/A at this time | N/A at this time | C45, C50 |
| 03-18-0105 | CAP ELEC 1uF 50V 20% RADIAL 5/11/5 | 5 | \$0.01 | \$0.02 | C55, C61, C76, C77, C81 |
| 03-18-0106 | CAP ELEC 10uF 50V 20% RADIAL 5/11/5 | 4 | \$0.02 | \$0.03 | C54, C57, C69, C117 |
| 03-24-0273 | CAP MET-POLY 27nF 50V 5% TH 7.3/3.2/5/5 | 1 | N/A at this time | N/A at this time | C137 |

50-02-0134

Bass Pod XT Main PCBA

| Part Number | Description | Qty Per Parent | SC Cost | MSRP | Reference Designator |
|-------------|--|----------------|------------------|------------------|---|
| 03-36-0224 | CAP ESTR 0.22uF 50V 5% TH 11/6/11.5/7.5 | 1 | \$0.07 | \$0.11 | C48 |
| 03-46-0104 | CAP X7R 0.1uF 50V 20% 1206 | 1 | \$0.03 | \$0.05 | C40 |
| 03-50-0101 | CAP NPO 100pF 50V 10% 0805 | 5 | \$0.01 | \$0.02 | C33, C34, C35, C36, C101 |
| 03-50-0102 | CAP NPO 1nF 50V 5% 0805 | 17 | \$0.02 | \$0.03 | C9, C10, C11, C12, C14, C28, C30, C67, C73, C104, C114, C122, C123, C124, C127, C130, C131 |
| 03-50-0220 | CAP NPO 22pF 50V 20% 0805 | 2 | \$0.02 | \$0.03 | C92, C97 |
| 03-50-0221 | CAP NPO 220pF 50V 20% 0805 | 1 | \$0.01 | \$0.02 | C66 |
| 03-50-0272 | CAP NPO 2.7nF 50V 5% 0805 | 2 | \$0.02 | \$0.03 | C94, C95 |
| 03-50-0391 | CAP NPO 390pF 50v 5% 0805 | 4 | N/A at this time | N/A at this time | C99, C100, C102, C103 |
| 03-50-0470 | CAP NPO 47pF 50V 10% 0805 | 1 | \$0.11 | \$0.17 | C39 |
| 03-52-0101 | CAP X7R 100pF 50V 20% 0805 | 2 | \$0.01 | \$0.02 | C126, C133 |
| 03-52-0103 | CAP X7R 10nF 50V 20% 0805 | 1 | \$0.01 | \$0.02 | C53 |
| 03-52-0104 | CAP X7R 0.1uF 50V 20% 0805 | 14 | \$0.02 | \$0.03 | C1, C3, C5, C7, C8, C23, C29, C78, C80, C139, C143, C144, C15, C146 |
| 03-52-0473 | CAP X7R 47nF 50V 20% 0805 | 66 | \$0.02 | \$0.03 | C2, C4, C6, C13, C15, C16, C17, C18, C19, C20, C21, C22, C24, C25, C26, C27, C31, C32, C37, C38, C41, C42, C43, C46, C52, C58, C59, C62, C63, C64, C68, C70, C71, C72, C75, C79, C82, C83, C84, C85, C86, C87, C88, C89, C93, C96, C98, C105, C106, C107, C108, C110, C111, C112, C116, C118, C119, C120, C121, C125, C128, C129, C132, C134, C1354, C136 |
| 04-04-0001 | FERRITE BEAD 3-TURN 600R@ 100MHz MATERIAL-61 RADIAL TH | 2 | \$0.37 | \$0.56 | L20, L21 |
| 06-20-0099 | DIODE GEN PUR DUAL 70V 215mA 6nS SOT-23 SM BAV99 | 7 | \$0.02 | \$0.03 | D3, D4, D5, D6, D25, D26, D27 |
| 06-28-8451 | DIODE ZENER 5.1V 5% 350mW SOT-23 SM BZX84C5V1 | 1 | N/A at this time | N/A at this time | D11 |
| 06-32-0313 | DIODE RECTIFIER 200V 3A SMB SM S3DB-13 | 1 | N/A at this time | N/A at this time | D22 |
| 06-32-4006 | DIODE RECTIFIER 800V 1A SMA SM MRA4006T3 | 5 | \$0.06 | \$0.09 | D18, D19, D20, D23, D24 |
| 06-34-0016 | DIODE SWITCHING 75V 200mA 6nS SOT-23 SM BAS16LT1 | 19 | \$0.01 | \$0.02 | D15, D16, D17, D21, D28, D29, D30, D31, D32, D33, D34, D35, D36, D37, D38, D39, D40, D41, D42 |
| 09-10-4401 | TRANS NPN SMALL-SIGNAL MBT4401SOT-23 SM | 5 | \$0.01 | \$0.02 | Q2, Q3, Q5, Q6, Q7 |
| 09-10-4403 | TRANS PNP SMALL-SIGNAL MBT4403SOT-23 SM | 1 | \$0.03 | \$0.05 | Q4 |
| 09-14-2502 | TRANS MOSFET N-CHAN 20V 3.77A .045R SOT-23 SM VISHAY | 1 | \$0.29 | \$0.44 | Q1 |
| 11-00-3000 | CRYSTAL OSCILLATOR 30MHz 3.3V DIP4 METAL-CAN TH | 1 | \$0.89 | \$1.34 | Y1 |
| 11-10-0501 | FERRITE BEAD 500R @100mHZ 2.5A 1206 SM | 2 | \$0.05 | \$0.08 | L9, L22 |

50-02-0134

Bass Pod XT Main PCBA

| Part Number | Description | Qty Per Parent | SC Cost | MSRP | Reference Designator |
|-------------|--|----------------|------------------|------------------|---|
| 11-10-2012 | FERRITE BEAD 600R@100MHZ 300mA 0805 SM | 19 | \$0.03 | \$0.05 | L1, L2, L3, L4, L5, L6, L7, L8, L10, L11, L12, L13, L14, L15, L16, L17, L18, L19, L23 |
| 12-00-7808 | IC REG +8V 1A TO-220 TH LM7808 | 1 | N/A at this time | N/A at this time | U12 |
| 12-02-0015 | IC REG +15V 1.5AMP TO-220F TH NJM7815FA | 1 | \$0.25 | \$0.38 | U1 |
| 12-02-0115 | IC REG -15V 1.5AMP TO-220F TH NJM7915FA | 1 | \$0.38 | \$0.57 | U2 |
| 12-02-1086 | IC REG +3.3V TO-220 TH LM1086 | 1 | \$0.33 | \$0.50 | U5 |
| 12-02-1087 | IC REG +5.0V TO-220 TH LM1086 | 2 | \$0.40 | \$0.60 | U3, U6 |
| 12-54-0082 | IC OP AMP DUAL TL082CD SO-8 SM | 1 | \$0.13 | \$0.20 | U18 |
| 12-54-0084 | IC OP AMP QUAD TL084CD SM | 3 | \$0.22 | \$0.33 | U27, U28, U29 |
| 12-54-2134 | IC OP-AMP DUAL OPA2134UA SM SO-8 | 1 | \$1.16 | \$1.74 | U4 |
| 12-64-1543 | IC ADC 10 BIT 11 CHANNEL SM TLC1543CDW | 1 | \$1.86 | \$2.79 | U7. |
| 12-64-4528 | IC CONVERTER 24B 48/96KHz AUDIO CODEC SM AK4528 | 1 | \$2.30 | \$3.45 | U8 |
| 15-40-6138 | IC 6N138 OPTO-ISOLATOR DIP-8 TH | 1 | \$0.49 | \$0.74 | U9 |
| 15-62-0573 | IC 74HC573 LATCH TRANSPARENT 8-BIT W/3-S SO-20 SM | 1 | \$0.20 | \$0.30 | U24 |
| 15-64-0273 | IC 74HCT273 FLIP-FLOP D-TYPE 8-BIT SO-20 SM | 1 | \$0.10 | \$0.15 | U21 |
| 15-65-0002 | IC 74LCX02 LOW VOLTAGE CMOS QUAD 2 INPUT NOR SO-14 SM | 1 | \$0.10 | \$0.15 | U25 |
| 15-67-0179 | IC RS-485 LOW PWR DIFF TRANSCEIVER SN75LBC179 SO-8 SM | 1 | \$0.77 | \$1.16 | U23 |
| 15-68-1020 | IC CONTROLLER USB TAS1020BPFB SM | 1 | \$2.95 | \$4.43 | U16 |
| 15-70-1610 | IC DRAM 1M X 16 SDRAM HY57V161610DTC-7 SM | 2 | \$4.60 | \$6.90 | U10, U11 |
| 15-72-1009 | IC SRAM 128K X 8 CY7C1009B 15nS SOJ-32 (V32) SM | 1 | \$1.83 | \$2.75 | U22 |
| 15-78-4128 | IC EEPROM 128KBIT I2C SERIAL 24LC128-I/SN SOIC8 SM | 1 | \$0.90 | \$1.35 | U15 |
| 15-79-0088 | IC MEMORY SECURE AT88SC153-00 -2.7 8S1 (SO-8) SM | 1 | \$0.49 | \$0.74 | U17 |
| 15-86-1065 | IC DSP SHARC ADSP-21065LKS-240 MQFP208 SM | 1 | \$12.50 | \$18.75 | U13 |
| 15-92-5810 | IC RESET 5V 5% ACTIVE-HI SOT-23 SM LM810 | 1 | \$0.27 | \$0.41 | U26 |
| 18-21-0002 | LED ORANGE 3mmX2mm SM Kingbrite APK3020SEC | 9 | \$0.14 | \$0.21 | D1, D2, D7, D8, D9, D10, D12, D13, D14 |
| 21-00-0014 | JACK BARREL PCB MT 2.5mm DC PWR 3-PIN TH | 1 | \$0.34 | \$0.51 | J1 |
| 21-00-6616 | JACK 1/4" TRS 6-PIN PCB MT HORIZ TH | 4 | \$0.22 | \$0.33 | J2, J5, J6, J7 |
| 21-04-5075 | JACK DIN 5-PIN FEMALE MIDI PCB-MNT RT-ANG LN 05075 | 2 | \$0.15 | \$0.23 | P1, P2 |
| 21-16-0045 | JACK RJ-45 8-PIN FEMALE PCB-MNT RT-ANG | 1 | \$0.64 | \$0.96 | J4 |
| 21-21-0001 | JACK USB-B SHIELDED PCB-MNT BLACK WIESON 3700-4ABN4S1W | 1 | \$0.22 | \$0.33 | J3 |
| 21-44-0044 | SOCKET 44 PIN PLCC - .050 LOW PROFILE SMT | 1 | \$0.16 | \$0.24 | S1 |
| 24-12-0001 | ENCODER 24-STEP W/25mm SHFT RE120-40-25F-24P TH | 2 | \$0.33 | \$0.50 | E1, E3 |

50-02-0134

Bass Pod XT Main PCBA

| Part Number | Description | Qty Per Parent | SC Cost | MSRP | Reference Designator |
|-------------|---|----------------|------------------|------------------|--|
| 24-12-0002 | ENCODER 12-STEP W/25mm SHFT RE120-40-25F-12P TH | 2 | \$0.30 | \$0.45 | E2, E4 |
| 24-24-2107 | SWITCH ROCKER ON-OFF 2-PIN HOR MNT | 1 | \$0.19 | \$0.29 | PSW1 |
| 24-30-0003 | KEYPAD RUBBER w/SILKSCREEN 5.30 x 2.47 SHARCBOD SERIES | 1 | N/A at this time | N/A at this time | |
| 30-00-0607 | SCREW 6-32 x 7/16IN w/LK WASH PPZ STL | 3 | \$0.02 | \$0.03 | U3, U5, U12 |
| 30-12-2210 | STANDOFF HEX .250 6-32 F-F .500 LG AL | 3 | \$0.10 | \$0.15 | U3, U5, U12 |
| 30-18-3030 | CLIP GND PCB .30x.30x.07 | 8 | \$0.02 | \$0.03 | GF1, GF2, GF3, GF4, GF5, GF6, GF7, GF8 |
| 30-27-0053 | ISOLATION FRAME 5.38x2.83 HIGH IMPACT ABS BLK | 1 | \$0.07 | \$0.11 | LCD Assy |
| 30-65-0009 | TAPE INSULATING 1/8W x 2 INL (NON-SPECIFIC) | 1 | N/A at this time | N/A at this time | |
| 35-00-0134 | PCB MAIN REV.E SHARCPD/BOD | 1 | N/A at this time | N/A at this time | Unpopulated PCBA- This part is NOT AVAILABLE! |
| 40-30-2000 | LABEL S/N 38.10 x 6.35mm THERMAL XFR GLOSSY WHITE | 1 | \$0.01 | \$0.02 | Place Bar Code Label Here |
| 45-01-0002 | IC PROGRAMMED MCU v1.03 c/s= 96FB SHARC/FLOORPOD/BOD-SERIES | 1 | \$3.95 | \$5.93 | U19 |
| 45-02-0008 | IC PROGRAMMED FLASH v1.01 c/s=0x488A4C4 SHARCBOD | 1 | N/A at this time | N/A at this time | U14 |
| 45-06-0002 | IC PROGRAMMED PLD REV.D SHARCPD/BOD | 1 | \$6.70 | \$10.05 | U20 |
| 50-00-0133 | PCBA DISPLAY LCD GRAPHIC W/20MALE HDR 6 O'CLOCK XMIS NEG | 1 | \$7.70 | \$11.55 | LCD1 |