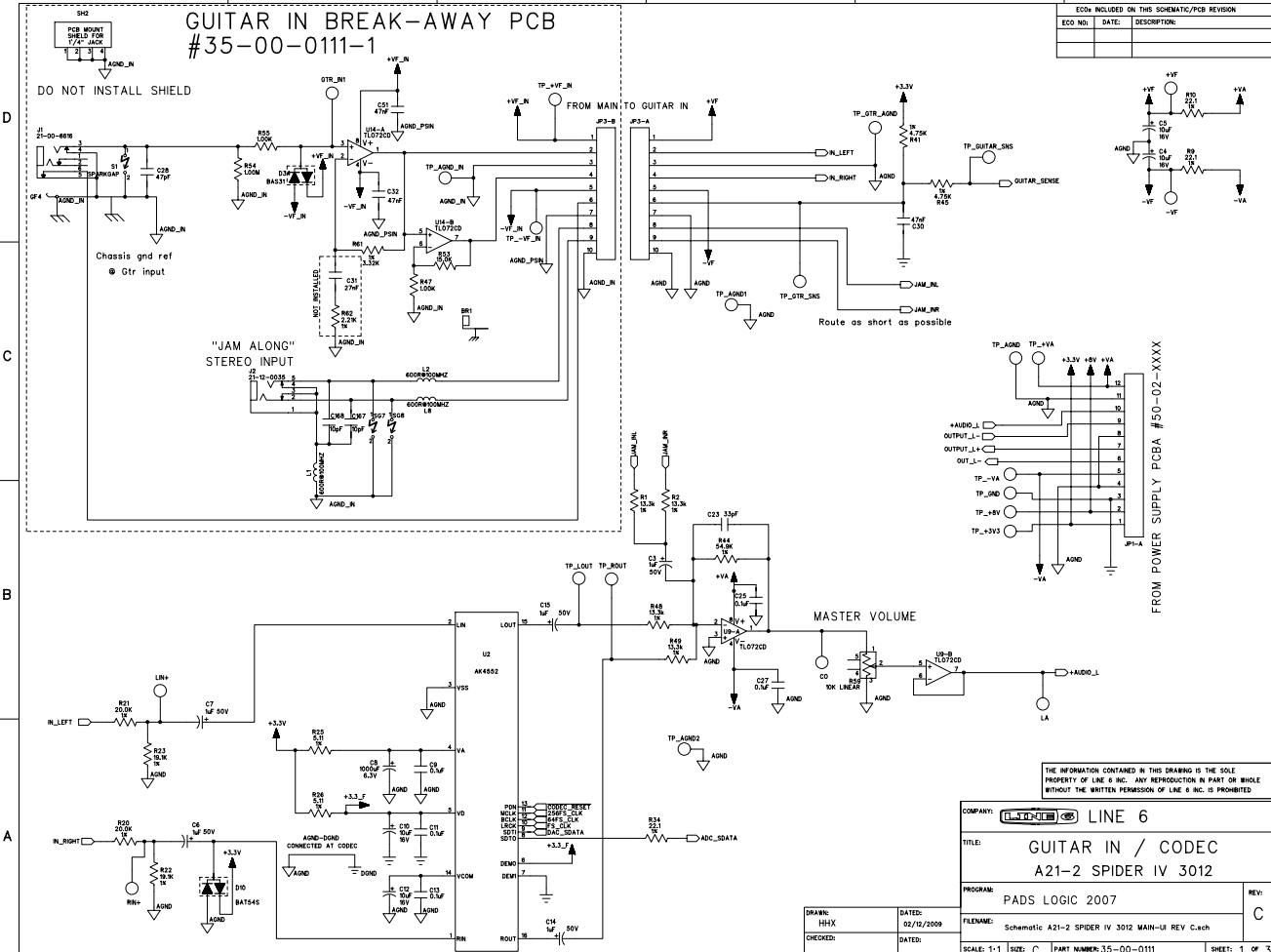


# GUITAR IN BREAK-AWAY PCB #35-00-0111-1

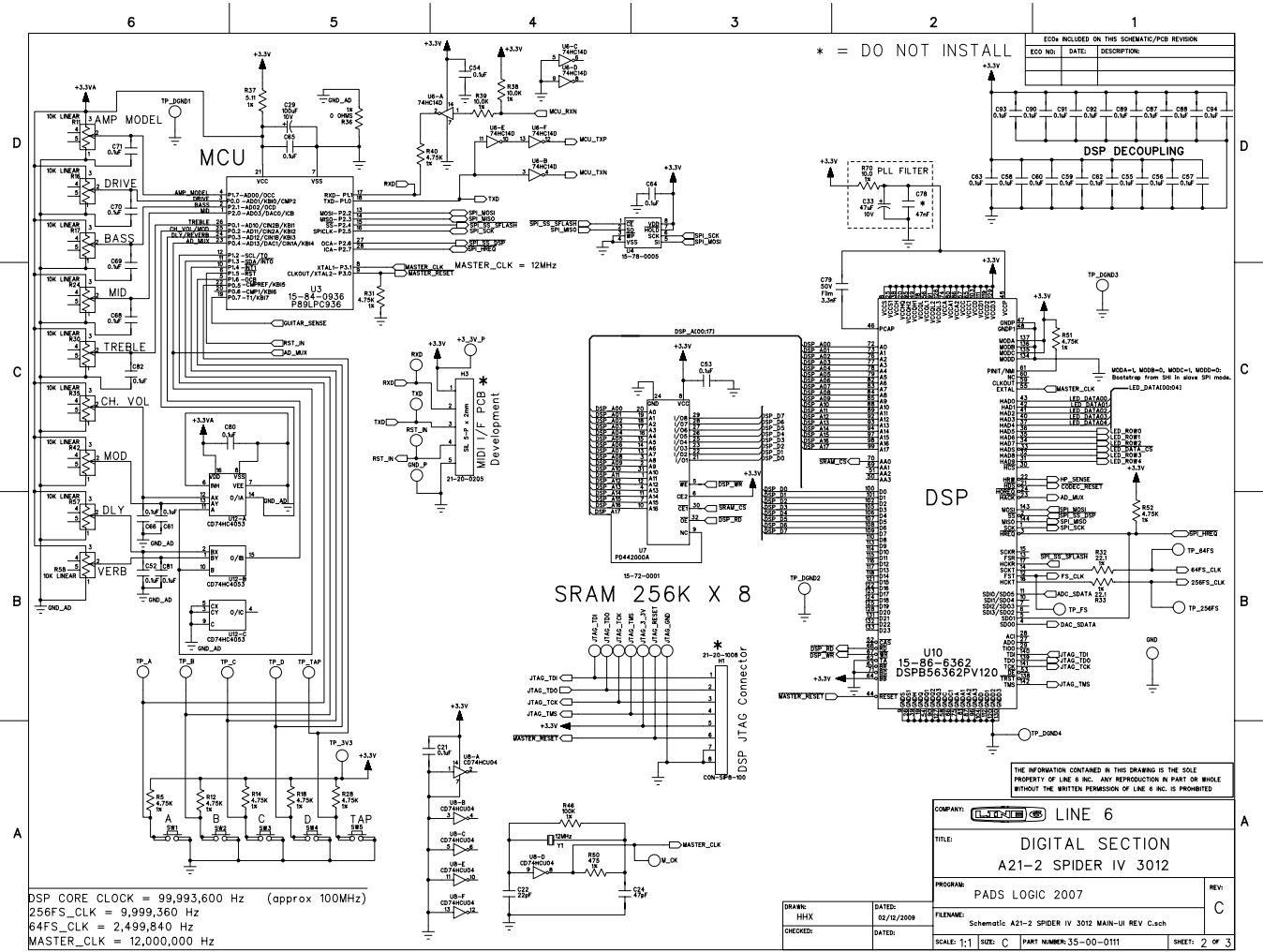
ECO# INCLUDED ON THIS SCHEMATIC/PCB REVISION		
ECO NO:	DATE:	DESCRIPTION:



THE INFORMATION CONTAINED IN THIS DRAWING IS THE SOLE PROPERTY OF LINE 6 INC. ANY REPRODUCTION IN PART OR WHOLE WITHOUT THE WRITTEN PERMISSION OF LINE 6 INC. IS PROHIBITED.

COMPANY:	LINE 6
TITLE:	GUITAR IN / CODEC A21-2 SPIDER IV 3012
PROGRAM:	PADS LOGIC 2007
FILENAME:	Schematic A21-2 SPIDER IV 3012 MAIN-LI REV C.sch
SCALE:	1:1
SIZE:	C
PART NUMBER:	35-00-0111
SHEET:	1 OF 3

DRAWN:	HHX	DATED:	02/12/2009
CHECKED:		DATED:	



DSP CORE CLOCK = 99,993,600 Hz (approx 100MHz)  
 256FS\_CLK = 9,999,360 Hz  
 64FS\_CLK = 2,499,840 Hz  
 MASTER\_CLK = 12,000,000 Hz

DRAWN: HHX	DATE: 02/12/2009	FILENAME: Schematic A21-2 SPIDER IV 3012 MAIN-UI REV C.sch	REV: C
CHECKED:	DATE:	SCALE: 1:1	SHEET: 2 OF 3

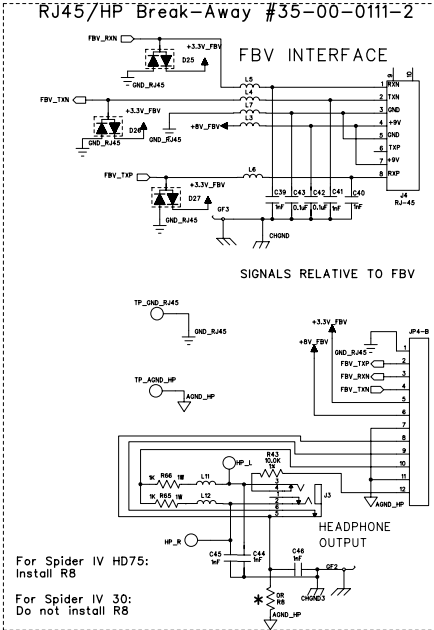
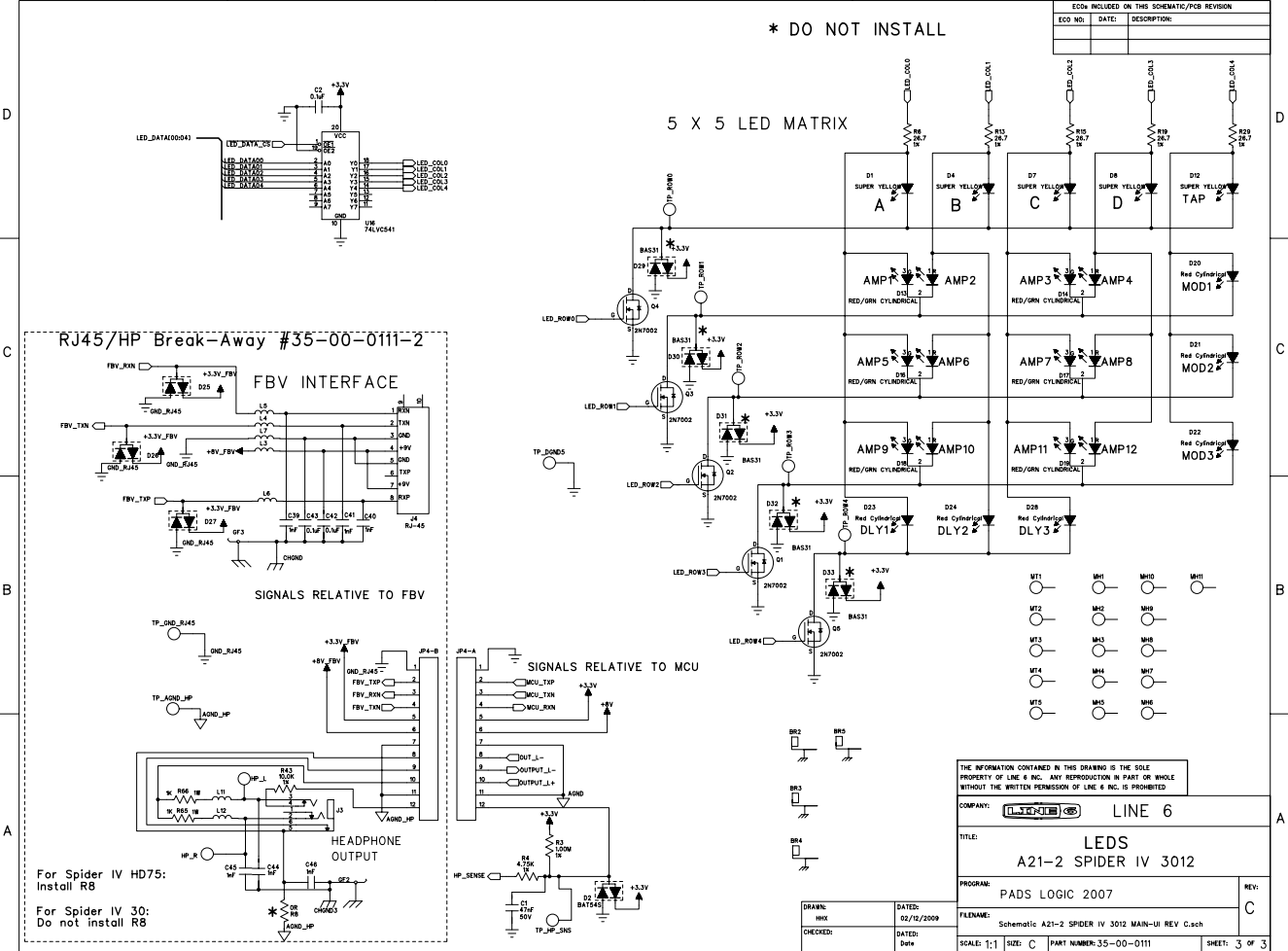
COMPANY:	LINE 6
DIGITAL SECTION A21-2 SPIDER IV 3012	
PROGRAM:	PADS LOGIC 2007

THE INFORMATION CONTAINED IN THIS DRAWING IS THE SOLE PROPERTY OF LINE 6 INC. ANY REPRODUCTION IN PART OR WHOLE WITHOUT THE WRITTEN PERMISSION OF LINE 6 INC. IS PROHIBITED.

6 5 4 3 2 1

\* DO NOT INSTALL

ECO# INCLUDED ON THIS SCHEMATIC/PCB REVISION		
ECO NO:	DATE:	DESCRIPTION:



THE INFORMATION CONTAINED IN THIS DRAWING IS THE SOLE PROPERTY OF LINE 6 INC. ANY REPRODUCTION IN PART OR WHOLE WITHOUT THE WRITTEN PERMISSION OF LINE 6 INC. IS PROHIBITED.

COMPANY: **LINE 6**

TITLE: **LEDS A21-2 SPIDER IV 3012**

PROGRAM: **PADS LOGIC 2007**

DRAWN: <b>MMK</b>	DATE: <b>02/12/2009</b>	FILENAME: <b>Schematic A21-2 SPIDER IV 3012 MAIN-UI REV C.sch</b>	REV: <b>C</b>
CHECKED: <b>Date</b>	DATE: <b>Date</b>	SCALE: <b>1:1</b>	SIZE: <b>C</b>
PART NUMBER: <b>35-00-0111</b>		SHEET: <b>3</b> OF <b>3</b>	

99-010-3305 - A21-2 AMP SPIDER IV 30 US 120V

Level	Item	Part Number	Qty	UOM	Refdes	Find	Rev	Description
1	1	21-37-1160	1	EA				CBL PWR UL/CSA SJT 8.2FT BLK E L-302 w/GND EL70
1	2	40-00-0095	1	EA		A		INSERT SPIDER IV 30 COLLATERALS A21-2
1	3	40-00-0190	1	EA		E		MANUAL USER SPIDER IV 30 A21-2
1	4	40-00-1000	1	EA		H		CARD WARRANTY LINE 6
1	5	40-01-0016	1	EA		C		CARD LICENSE-AGREEMNT END-USER ALL-PRODUCTS
1	6	40-03-0031	1	EA		B		CARD REGISTRATION UK
1	7	40-03-2000	1	EA		F		CARD REGISTRATION US
1	8	40-03-2000-1	1	EA		A		CARD REGISTRATION EUROPE
1	9	40-10-0108	8	EA				PROTECTOR CORNER CARTON SPIDER2-1508/3012
1	10	40-10-0118	1	EA		A		INSERT HNDL-PROTEC 485mm x 260 mm X 3mm SPIDER2-3012
1	11	40-10-0255	1	EA		XO		CARTON GIFT SPIDER IV-30 A21-2
1	12	40-10-0293	1	EA		A		BOX MASTER-CARTON SPIDER 4 A21-2 3012
1	13	40-10-0313	0.5			A		INSERT SEPARATOR 2 PACK 495MM X 475 MM X 3MM SPIDER4-3012
1	14	40-10-0314	1			A		INSERT TOP BOTTOM 2 PACK 495MM X 530 MM X 3MM SPIDER4-3012
1	15	40-15-0022	3	EA				SILICA GEL PACK 3.0" x 3.5"
1	16	40-15-0023	1	EA				ANTISEPTIC PACK (5g/package)
1	17	40-20-0011	1	EA		A		BAG PLASTIC 10 x 16 2 mil
1	18	40-20-2525	1	EA		A		BAG PLASTIC 25" x 25" 4-MIL
1	19	40-25-0020	1	EA		A		LABEL INSPECTION QUALITY
1	20	40-25-0024	1	EA		B		STICKER ART SEAL EULA
1	21	40-25-0100	1	EA				LABEL BAR CODE SERIAL NUMBER 4-PANEL LABEL
1	22	40-25-0130	1	EA		A		STICKER SPEAKER-GRILL PROMO SPIDER IV-30 A21-2
1	23	59-00-0046-2	1	EA		D		ASSY UNIT COMPLETE SPIDER IV- 30 A21-2 JA US
2	1	11-20-0006	1	EA				1 SPEAKER 12" 4 OHM 50W CH-CONE
3	1	40-25-0057	1			A		LABEL SPEAKER 12-IN 4-OHM CELESTION G12E-50 (11-20-0006)
2	2	30-00-0015	4	EA				SCREW 10-24 UNC x 1.000" TRUSS-HD BLACK-OXIDE
2	3	30-00-0402	1	EA				SCREW #4 x 1/2IN SEMS w/EXT. TOOTH WASHER STL/ZNC
2	4	30-00-0676	4	EA				SCREW WOOD NO.6 x 3/4" PHIL OVAL HD BLK
2	5	30-00-1129	4	EA				SCREW 10-32 x 1-1/4 OVAL CTSK PB STL w/PILOT TIP
2	6	30-03-0035	4	EA				WASHER #10 SPLIT LK WASH ZINC
2	7	30-03-0112	12	EA				WASHER FINISHING #10 FLANGED STL BLK OXIDE
2	8	30-03-1010	4	EA				WASHER #10 FLAT .20-.25 ID, .45-.55 OD, .04-.05 THK ZINC
2	9	30-27-0379	1	EA		A		LOGO FRAME X.X X X.X X .XX ABS S BLK W/SILVER MTLK FILM A21-2
2	10	40-25-0217	1	EA		A		LABEL ETL SPIDER IV 30 LONGJOIN 2"X 1"
2	11	50-03-0059	1	EA		H		ASSY CABINET SPIDER IV-30 A21-2
3	1	30-00-0812	16	EA				SCREW w/WAX 8 x 3/4 PTB
3	2	30-00-0858	4	EA				SCREW #8 x 5/8IN PHIL-TRUSS BLACK w/WAX
3	3	30-00-1024	2	EA				SCREW 10-24 x 1IN OVAL CTSK PPB STL WAXED
3	4	30-00-8112	14	EA				SCREW WOOD #8 x 1 1/2" OVAL PH H STL BLK OXIDE
3	5	30-03-0112	2	EA				WASHER FINISHING #10 FLANGED STL BLK OXIDE
3	6	30-06-1024	6	EA				NUT-T 10-24 X 5/16 STEEL
3	7	30-27-0351-1	1	EA		C		CORNER FRONT RT 4.0 X 3.6 X .90 BLK PLASTIC A21
3	8	30-27-0351-2	1	EA		C		CORNER FRONT LEFT 4.0 X 3.6 X .90 BLK PLASTIC A21
3	9	30-27-0352	6	EA		B		CORNER SMALL 1.3 X 1.3 X 1.3 PLASTIC A21
3	10	30-36-0005	1	EA		A		COVER VINYL TEXTURED BLACK SEMI GLOSS
3	11	30-39-0013	1	EA				GRILL CLOTH BLACK SPIDER3

3	12 30-51-0387	1 EA	
3	13 30-57-0580	1 EA	
3	14 30-57-0581	2 EA	
3	15 40-25-0083	1 EA	
2	12 50-04-0071-2	1 EA	
3	1 11-30-0013	1 EA	
3	2 24-19-0002	1 EA	
3	3 50-04-0071	1 EA	
4	1 21-34-0055-2	1 EA	
4	2 21-34-1015	1 EA	
4	3 21-34-9036	1 EA	
4	4 24-24-0002	1 EA	
4	5 30-00-0043	6 EA	
4	6 30-00-0402	1 EA	
4	7 30-00-0606	4 EA	
4	8 30-00-0610	1 EA	
4	9 30-03-0400	1 EA	
4	10 30-03-0425	1 EA	
4	11 30-06-0440	1 EA	
4	12 30-06-0832	4 EA	
4	13 30-15-0404	1 EA	
4	14 30-15-4020	1 EA	
4	15 30-24-0003	3 EA	
4	16 30-27-0353	5 EA	
4	17 30-42-0062	1 EA	
5	1 41-00-0213	1 EA	
4	18 30-45-0023	10 EA	
4	19 30-51-0388	1 EA	
5	1 41-00-0210	1 EA	
4	20 30-63-0049-1	1 EA	
4	21 30-63-1550	2 EA	
4	22 30-63-4003	1 EA	
4	23 30-75-9600	1 EA	
4	24 40-25-0148	1 EA	
4	25 50-00-0001	1 EA	
5	1 21-14-0002	1	
5	2 21-34-1116	1	
4	26 50-02-0111	1 EA	
5	1 01-24-1002	2 EA	R38 R39
5	2 01-24-1003	1 EA	R46
5	3 01-24-1004	1 EA	R3
5	4 01-24-10R0	1 EA	R70
5	5 01-24-1332	4 EA	R1 R2 R48 R49
5	6 1/24/1912	2 EA	R22 R23
5	7 1/24/2002	2 EA	R20 R21
5	8 01-24-22R1	5 EA	R9 R10 R32 R33 R34
5	9 01-24-26R7	5 EA	R6 R13 R15 R19 R29
5	10 1/24/4750	1 EA	R50
5	11 1/24/4751	12 EA	R4 R5 R12 R14 R18 R28 R31 R40 R41 R45 R51 R52

A	TONE BAR 16.5 X 1.4 X .72 EGS STL SPIDER VI A21-2
A	HANDLE STRAP HEAVY DUTY BLACK
A	ENDCAPS BLACK TEXTURED FINISH
4	STICKER CARB WOOD CABINET
B	ASSY E/M CHASSIS SPIDER IV-15 A21-2 JA US
A	XFMR 100/120VAC 16.5VAC x 2 / 7.2VAC SPIDER2-3012
	FUSE 1A 250V 5MM x 20mm FRNT
C	ASSY E/M CHASSIS COMMON-PARTS SPIDER IV-30 A21-2
B	CBL ASSY 2 PIN 11" LG
	CBL FSTN .187-RCPT/.250-F FLAG 1-COND 161.34MM STRND 18AWG BK
A	CABLE ASSEMBLY - 12 PIN 22 AWG
	SWITCH POWER ROCKER PNL MNT M R21S
A	SCREW 6-32 X 5/16 LG WITH LOCK WASHER PHIL PAN ZINC-PLATED STEEL
	SCREW #4 x 1/2IN SEMS w/EXT. TOOTH WASHER STL/ZNC
	SCREW 6-32 x 7/16 w/LK WASHER STL PPB
	SCREW 6-32 x 5/8 IN PPZ STL ZINC w/LOCK WASHER
	WASHER #4 SPLIT LOCKWASHER ZINC
	WASHER #4 0.125" ID x .233" OD .018 HEIGHT ZINC PLATE
	NUT HEX .242 4-40 STL/ZNC
	NUT .335 HEX 8-32 STL ZINC W/ TOOTH WASHER
	SHOULDER BUSHING TO-220
A	SPACER .31 IN .164 IN .35 IN NYLON
	CABLE TIE 4" CLEAR
E	BUTTON PLASTIC CLEAR W/CHROME TOP A21
E	OVERLAY UI 16.5 X 2.3 X .020 PC CLEAR SPIDER IV A21-2
D	ARTWORK SILKSCREEN FRONT PANEL SPIDER IV-30 A21-2
D	KNOB 0.77" DIA X 0.71" HT PLAS TIC CHROME PLATED A21
E	CHASSIS 16.5 X 5.9 X 3.3 ALUM SPIDER IV A21-2
D	ARTWORK SILKSCREEN CHASSIS REAR SPIDER IV-30 A21-2
B	FOAM W/ADHESIVE 1 SIDE 419MM X 6.35MM X 2MM A21-2
	FOAM W/ADH. 15.50" x 0.25" x 0.06" VOLARAPOLEFIN
	PAD THERMAL TO-220 TYPE: K6 BERG K6AC-58
	GROMMET RUBBER 7/16-D x 1/16 GRV x 3/4" GRV-DIA BLACK
A	LABEL ETL RYDER 2"X 1" INTERTEK
A	ASSY RECEPTACLE-A/C W/GND WIRE SNAP-IN
	JACK IEC w/FUSE MALE 3 PIN PAN EL MOUNT SNAP IN VERT
C	CBL EARTHING w/EYELET 16AWG 5" GREEN w/YELLOW STRIPE
B	PCBA MAIN-UI A21-2 SPIDER IV 30
	RES 10.0K 1% 0805
	RES 100K 1% 0805
	RES 1.00M 1% 0805
	RES 10.0R 1% 0805
	RES 13.3K 1% 0805
	RES 19.1K 1% 0805
	RES 20.0K 1% 0805
	RES 22.1R 1% 0805
	RES 26.7R 1% 0805
	RES 475R 1% 0805
	RES 4.75K 1% 0805

5	12	1/24/5492	1 EA	R44		RES 54.9K 1% 0805
5	13	01-24-5R11	2 EA	R25 R26		RES 5.11R 1% 0805
5	14	01-25-0000	1 EA	R36		RES OR 1% 0603
5	15	01-25-5R11	1 EA	R37		RES 5.11R 1% 0603
5	16	01-48-6103	10 EA	R11 R16 R17 R24 R30 R35 R42 R57 R58 R59		POT MONO 10KB LINEAR TAPER 25MM W/9MM NUT D-SHAFT
5	17	03-45-0332	1 EA	C79		CAP FILM 3.3nF 50V 5% 1206
5	18	03-50-0220	1 EA	C22		CAP NPO 22pF 50V 5% 0805
5	19	03-50-0330	1 EA	C23		CAP NPO 33pF 50V 5% 0805
5	20	03-50-0470	1 EA	C24		CAP NPO 47pF 50V 5% 0805
				C2 C9 C11 C13 C21 C25 C27 C52 C53 C54 C55 C56 C57 C58 C59 C60 C61 C62 C63		
5	21	03-52-0104	37 EA	C64 C65 C66 C68 C69 C70 C71 C80 C81 C82 C87 C88 C89 C90 C91 C92 C93 C94		CAP X7R 0.1uF 50V 10% 0805
5	22	03-52-0473	2 EA	C1 C30		CAP X7R 47nF 50V 10% 0805
5	23	03-80-0107	1 EA	C29		CAP ELEC 100uF 10V 20% SM 6.3/5.4/7.8
5	24	03-80-0108	1 EA	C8		CAP ELEC 1000uF 6.3V 20% SM 10/10.2/12
5	25	03-80-0476	1 EA	C33		CAP ELEC 47uF 10V 20% SM 5/5.4/6.5
5	26	03-82-0106	4 EA	C4 C5 C10 C12		CAP ELEC 10uF 16V 20% SM 4/5.4/5.5
5	27	03-88-0105	5 EA	C3 C6 C7 C14 C15		CAP ELEC 1uF 50V 20% VS SM
5	28	06-23-0054	2 EA	D2 D10		DIODE SCHOTTKY DUAL 30V 200mA 5nS SOT-23 SM
5	29	9/6/7002	5 EA	Q1 Q2 Q3 Q4 Q5		TRANS MOSFET N-CHAN 60V 7R5 SOT-23 SM
5	30	11-00-1201	1 EA	Y1		CRYSTAL 12MHz SHORT CAN HC49 T H
5	31	12-54-0072	1 EA	U9		IC OP AMP DUAL TL072 SM
5	32	12-62-0053	1 EA	U12		IC SWITCH ANALOG TRIPLE 2-CHAN TSSOP-16 SM
5	33	12-64-4552	1 EA	U2		IC CONVERTER 3V 24 BIT 96KHz AUDIO CODEC AK4552 SM
5	34	15-52-0541	1 EA	U16	A	IC 74LVC541A LOW VOLT OCTAL BU FFER/DRIVER SOIC-20 SM
5	35	15-62-0014	1 EA	U6		IC 74HC14 HEX SCHMITT TRIGGER INVERTERS SO-14 SM
5	36	15-62-1009	1 EA	U8		IC 74HCU04 HI SPEED CMOS LOGIC HEX INVERTER TSSOP-14 SM
5	37	15-72-0001	1 EA	U7		IC SRAM 256K x 8 BIT TSOP32 SM
5	38	15-86-6362	1 EA	U10		IC DSP 24 BIT AUDIO DSP56362 TQFP-144 SM
5	39	18-00-0003	6 EA	D20 D21 D22 D23 D24 D28		LED RED CYLINDRICAL LAMP T-1 3 MM 627nm TH
5	40	18-06-0003	6 EA	D13 D14 D16 D17 D18 D19		LED RED/GRN CYLINDRICAL T-1 3M M 3-PIN COM-CATH 627/565nm TH
5	41	18-22-0003	5 EA	D1 D4 D7 D8 D12		LED YELLOW SUPER BRIGHT 2MM x 1.25MM SM
5	42	21-18-0002	4 EA	BR2 BR3 BR4 BR5		TERMINAL SCREW PCB MOUNT RIGHT ANGLE SNAP-IN 6-32 THREAD
5	43	21-20-0018	1 EA	JP1_A	X0	HEADER 12 PIN SIL 2.54MM MALE SHROUDED KEYED VERTICLE TH
5	44	21-26-6376	1 EA	JP4	A	CABLE 12 2.54MM 90.0MM BARE-ENDS
5	45	21-26-6377	1 EA	JP3	A	CABLE RIBBON 10-PIN 24 AWG 2.54MM 65.0MM BARE-ENDS
5	46	24-31-1105	5 EA	SW1 SW2 SW3 SW4 SW5		SWITCH TACT 6MM SQ 4 PIN TH
5	47	30-27-0365	12 EA	FOR LED D13 D14 D16 D17 D18 D19 D20 D21 D22 D23 D24 D28	A	SPACER LED 0.2" DIA X 0.3" HIGH ABS BLK
5	48	35-00-0111	1 EA		C	PCB MAIN\UI A21-2 SPIDER IV 30
5	49	45-01-0056	1 EA	U3	B	IC PROGRAMMED MCU SPIDER IV 3012 V1.03 A21-2
6	1	15-84-0936	1 EA	U3		IC MCU 16KB FLASH P89LPC936 TS SOP-28 SM
5	50	45-02-0055	1 EA	U4	A	IC PROGRAMMED FLASH V1.00 SPIDER4-3012 A21-2
6	1	15-78-0005	1 EA	U4	A	IC FLASH 512Kb SPI SERIAL SOIC -8 SM
4	27	50-02-0337	1 EA		A	PCBA POWER SUPPLY A21-2 SPIDER IV 30
5	1	01-24-1000	3	R54 R61 R64		RES 100R 1% 0805
5	2	01-24-1002	2	R53 R55		RES 10.0K 1% 0805
5	3	01-24-1620	1	R63		RES 162R 1% 0805
5	4	03-10-0107	1	C37		CAP ELEC 100uF 10V 20% RADIAL 6.3/8/5
5	5	03-12-0107	2	C30 C34		CAP ELEC 100uF 16V 20% RADIAL 6.3/11/5
5	6	03-12-1338	1	C38		CAP ELEC 3300uF 16V 20% RADIAL 12.5/25/5

5	7	03-18-0106	2	C31-C32			CAP ELEC 10uF 50V 20% RADIAL 5/11/5
5	8	03-18-0228	2	C35-C36			CAP ELEC 2200uF 50V 20% RADIAL 16/31.5/7.5
5	9	03-52-0102	2	C50-C51			CAP X7R 1nF 50V 10% 0805
5	10	03-52-0104	1	C1			CAP X7R 0.1uF 50V 10% 0805
5	11	6/4/4002	8	D1-D4,D21-D24			DIODE SMALL-SIGNAL 100V 30A DO-41 AXIAL TH 1N4002
5	12	6/28/8410	2	D13-D14			DIODE ZENER 10V 5% 350mW SOT-2 3 SM
5	13	09-00-5401	1	Q4			TRANS PNP SMALL SIGNAL 2N5401 TH
5	14	09-00-5551	1	Q3			TRANS NPN SMALL SIGNAL 2N5551 TH
5	15	12-00-0317	1	U11	A		IC VREG ADJ 1.2V-37V 1.5 AMP TO-220 LM317 TH
5	16	21-20-1564	1	H4			HDR SIL PCB-MT 4 PIN x .156 MA LE VERT MNT FRIC LOCK
5	17	21-20-1565	1	H5			HDR SIL PCB-MT 5 PIN x .156 MA LE VERT MNT FRIC LOCK
5	18	21-30-0014	1		A		CBL SIL 7 PIN 22AWG 2.54MM x 7 6MM S/T
5	19	35-00-0112	1		B		PCB POWER SUPPLY A21-2 SPIDER IV 30
4	28	50-02-0338	1 EA		A		PCBA POWER AMP A21-2 SPIDER IV 30
5	1	01-20-0R22	1	R51			RES METAL OXIDE 0.22R 2W 5% TH S/B 01-22-0R22
5	2	01-22-02R2	1	R52			RES METAL OXIDE 2.2R 2W 5% TH
5	3	1/24/3241	1	R2			RES 3.24K 1% 0805
5	4	1/24/3921	1	R43			RES 3.92K 1% 0805
5	5	1/24/7502	1	R46			RES 75.0K 1% 0805
5	6	03-18-0106	1	C21			CAP ELEC 10uF 50V 20% RADIAL 5/11/5
5	7	03-18-0107	2	C2 C29			CAP ELEC 100uF 50V 20% 105C LOW Z 0.2R RADIAL 8/20/5
5	8	03-52-0104	3	C22 C24 C26			CAP X7R 0.1uF 50V 10% 0805
5	9	12/30/2050	1	U8			IC POWER AMP 32W TDA2050 TO-22 0/5 TH
5	10	35-00-0113	1		C		PCB POWER AMP A21-2 SPIDER IV 30
4	29	50-02-0339	1 EA		A		PCBA HEADPHONE RJ45 A21-2 SPIDERIV
5	1	01-21-0102	2	R65-R66			RES METAL OXIDE 1K 1W 5% TH
5	2	01-24-1002	1	R43			RES 10.0K 1% 0805
5	3	03-52-0102	6	C39-C41,C44-C46			CAP X7R 1nF 50V 10% 0805
5	4	03-52-0104	2	C42-C43			CAP X7R 0.1uF 50V 10% 0805
5	5	06-34-0031	3	D25-D27			DIODE GEN PUR DUAL 120V 600mA 50ns SOT-23 SM
5	6	11/10/2012	7	L3-L7,L11-L12			FERRITE BEAD 600R @ 100MHz 300 mA 0805 SM
5	7	21-00-6616	1	J3	B		JACK 1/4" TRS PCB MOUNT 6 PIN HORIZONTAL TH
5	8	21-16-0045	1	J4			JACK RJ-45 MOD 8/8 RT/A FEMALE PCB 50AU
5	9	30-18-3030	2	GF2-GF3			CLIP GROUND PCB .30 x .30 x .07
5	10	35-00-0111-2	1		C		PCB HEADPHONE\RJ45 A21-2 SPIDER IV 30 REV B
4	30	50-02-0340	1 EA		A		PCBA GUITAR IN MP3 A21-2 SPIDER IV 30
5	1	01-24-1001	2	R47 R55			RES 1.00K 1% 0805
5	2	01-24-1004	1	R54			RES 1.00M 1% 0805
5	3	01-24-1502	1	R53			RES 15.0K 1% 0805
5	4	1/24/3321	1	R61			RES 3.32K 1% 0805
5	5	03-52-0100	2	C167-C168			CAP X7R 10pF 50V 10% 0805
5	6	03-52-0470	1	C28			CAP X7R 47pF 50V 10% 0805
5	7	03-52-0473	2	C32 C51			CAP X7R 47nF 50V 10% 0805
5	8	06-34-0031	1	D34			DIODE GEN PUR DUAL 120V 600mA 50ns SOT-23 SM
5	9	11/10/2012	3	L1-L2,L8			FERRITE BEAD 600R @ 100MHz 300 mA 0805 SM
5	10	12-54-0072	1	U14			IC OP AMP DUAL TL072 SM
5	11	21-00-6616	1	J1	B		JACK 1/4" TRS PCB MOUNT 6 PIN HORIZONTAL TH
5	12	21-12-0035	1	J2			JACK 3.5MM STEREO 5 PIN CRIMPE D LEADS NON-THREADED
5	13	21-18-0002	1	BR1			TERMINAL SCREW PCB MOUNT RIGHT ANGLE SNAP-IN 6-32 THREAD

5	14 30-18-3030	1	GF4
5	15 35-00-0111-1	1	

C	CLIP GROUND PCB .30 x .30 x .07
	PCB GUITAR INJAM IN A21-2 SPIDER IV 30 REV B