

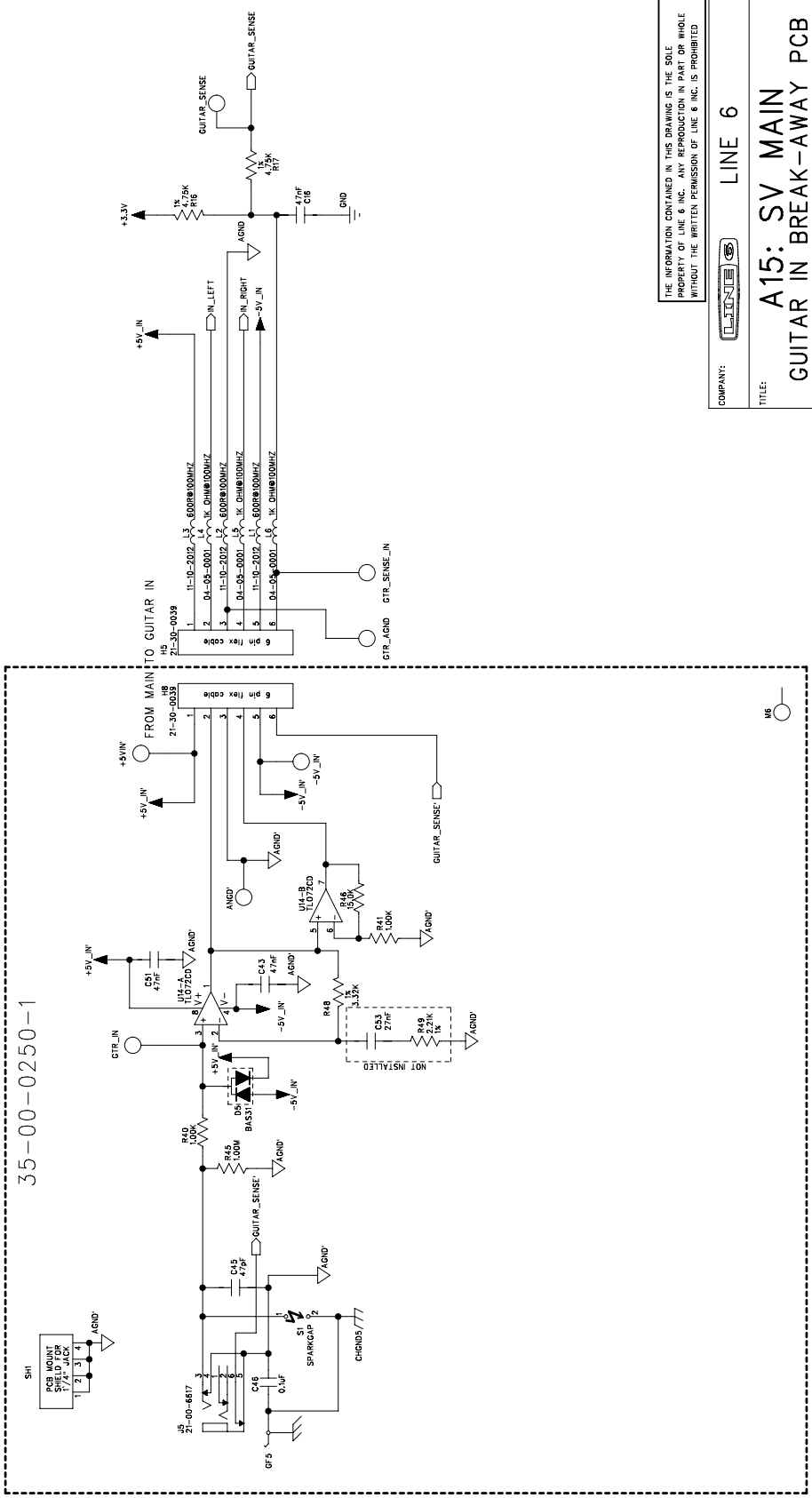
1 2 3 4 5 6

D C B A

ECOs INCLUDED ON THIS SCHEMATIC/PCB REVISION	
ECO NO:	DESCRIPTION:
0775903	06.08.07 Released as rev.A

GUITAR IN BREAK-AWAY PCB

35-00-0250-1



COMPANY:	LINE 6
TITLE:	A15: SV MAIN GUITAR IN BREAK-AWAY PCB
PROGRAM:	PADS POWER LOGIC 2004
REV:	A
FILENAME:	
DRAWN:	G. Kirtley/ D Mohler
DATE:	06/08/2007
CHECKED:	review panel
DATE:	
SCALE:	1:1
SHEET:	C
PART NUMBER:	35-00-0250
SHEET:	1 of 6

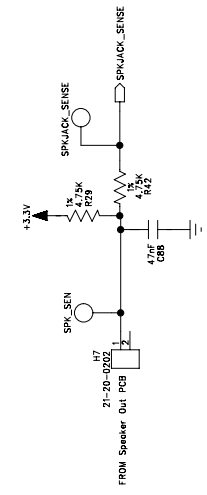
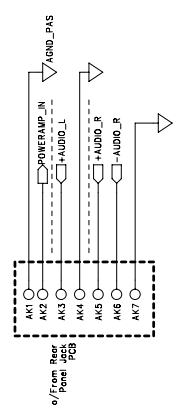
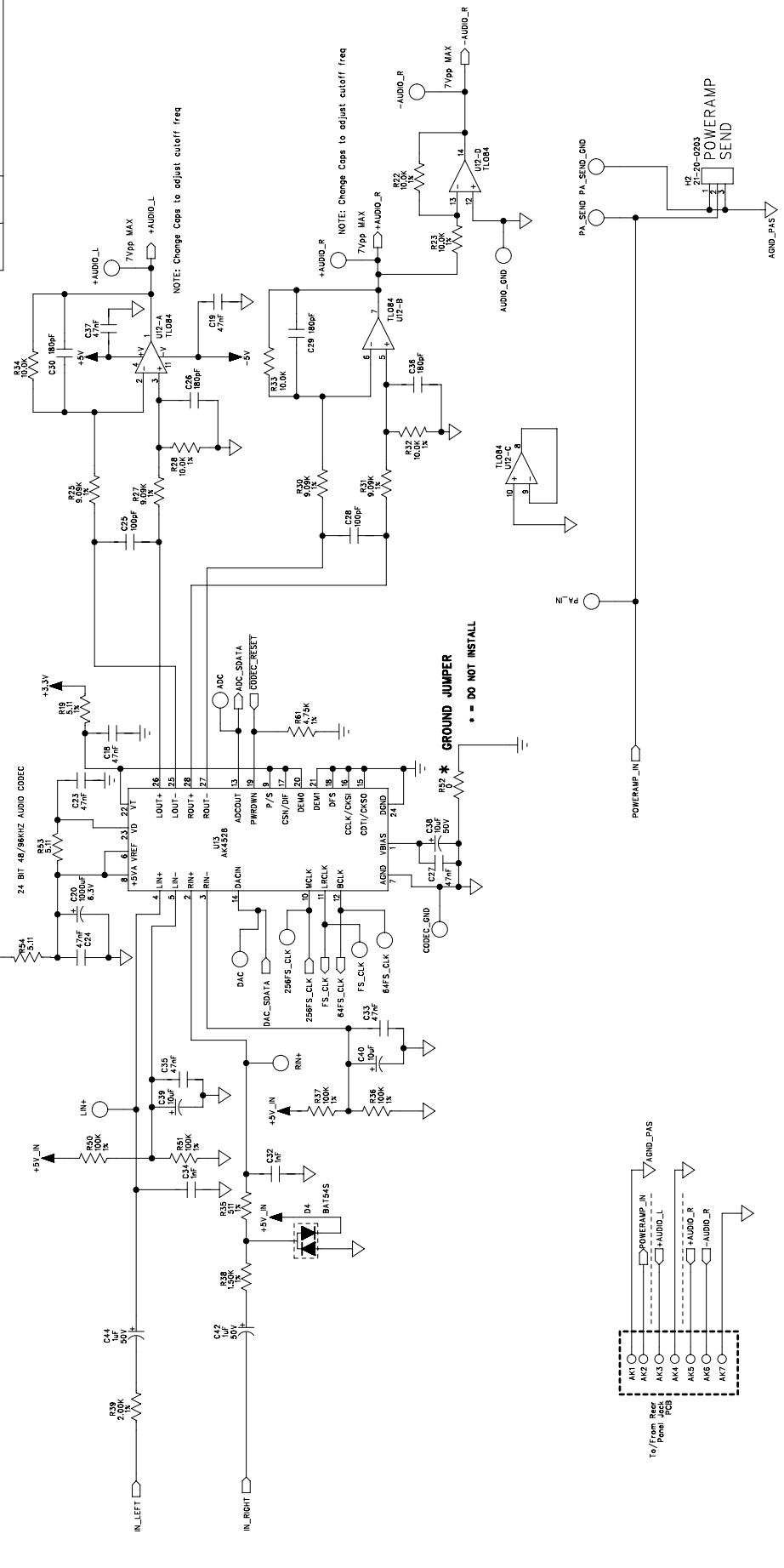
THE INFORMATION CONTAINED IN THIS DRAWING IS THE SOLE PROPERTY OF LINE 6 INC. ANY REPRODUCTION IN PART OR WHOLE WITHOUT THE WRITTEN PERMISSION OF LINE 6 INC. IS PROHIBITED.

CODEC/DIROUT/PASEND/ETC

1 2 3 4 5 6

ECOs INCLUDED ON THIS SCHEMATIC/PCB REVISION	
ECO NO:	DATE:
DESCRIPTION:	

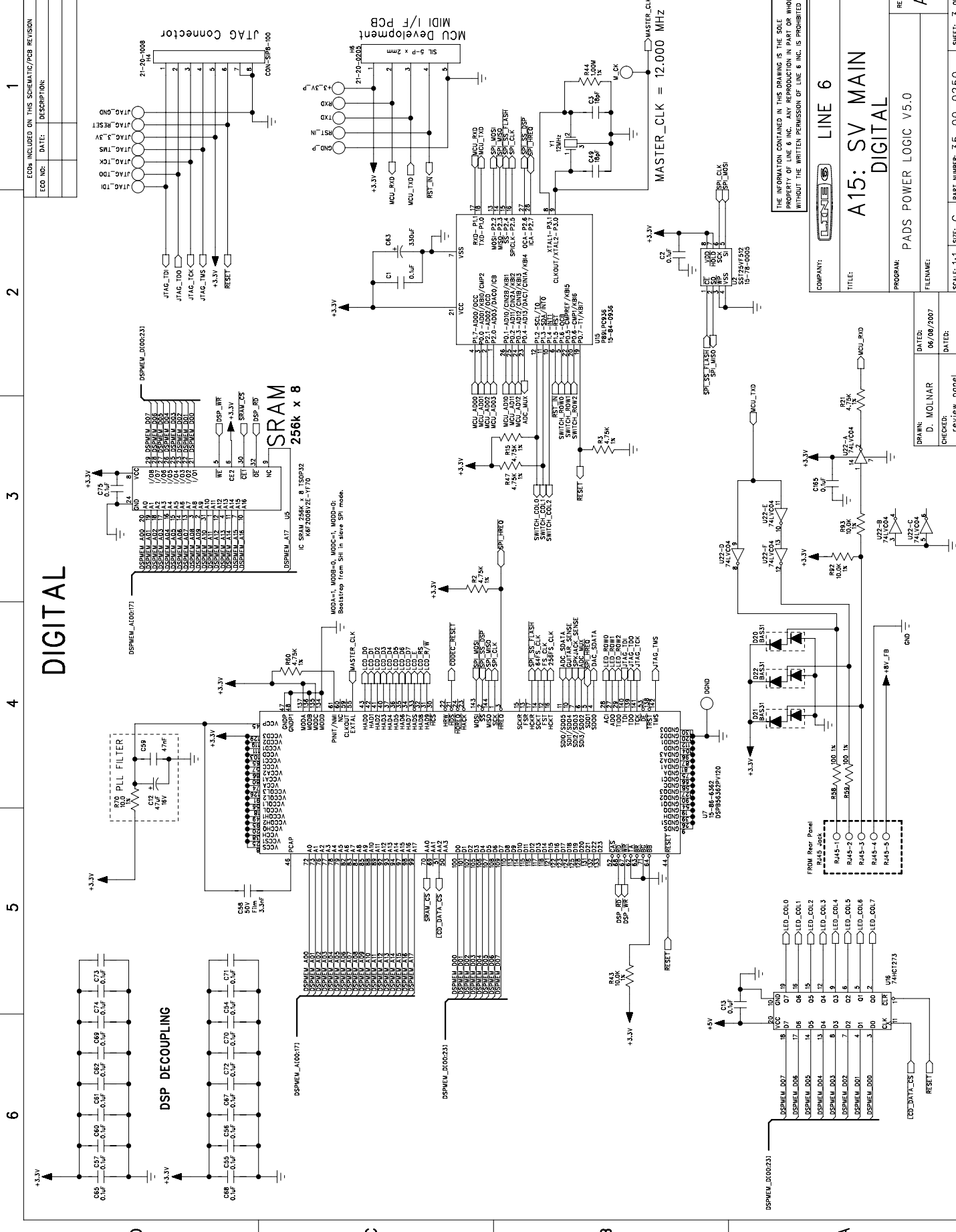
COREC Outputs Are:
2.7Vpp Max / 5.4Vpp diff Max



THE INFORMATION CONTAINED IN THIS DRAWING IS THE SOLE PROPERTY OF LINE 6 INC. ANY REPRODUCTION IN PART OR WHOLE WITHOUT THE WRITTEN PERMISSION OF LINE 6 INC. IS PROHIBITED.

COMPANY: LINE 6	
TITLE: A15: SV MAIN	
PROGRAM: PADS POWER LOGIC 2004	REV: A
DRAWN: G. Kirtley / D. McIner	FILENAME:
CHECKED: review panel	DATED: 06/08/2007
SCALE: 1:1	SHEET: C
PART NUMBER: 35-00-0250	SHEET: 2 of 6

DIGITAL



ECOs INCLUDED ON THIS SCHEMATIC/PCB REVISION

ECO NO:	DATE:	DESCRIPTION:

COMPANY: LINE 6

THE INFORMATION CONTAINED IN THIS DRAWING IS THE SOLE PROPERTY OF LINE 6 INC. ANY REPRODUCTION IN PART OR WHOLE WITHOUT THE WRITTEN PERMISSION OF LINE 6 INC. IS PROHIBITED.

TITLE: A15: SV MAIN

DIGITAL

PROGRAM: PADS POWER LOGIC V5.0

DATE: 06/08/2007

FILENAME: review panel

SCALE: 1:1

SHEET: C

PART NUMBER: 35-00-0250

SHEET: 3 of 6

REV: A

DRAWN: D. MOLNAR

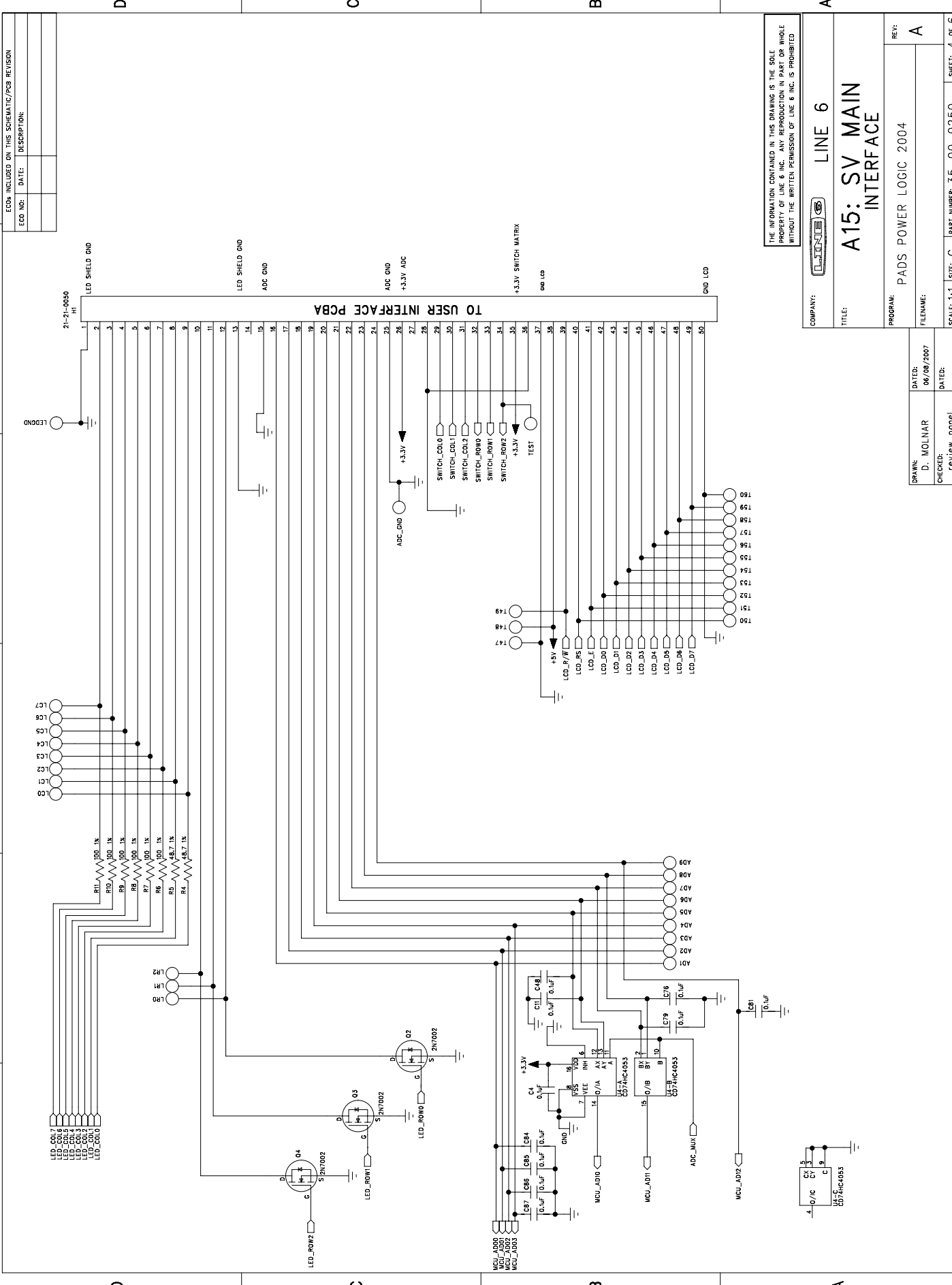
CHECKED: review panel

DATE: 06/08/2007

DATE: 06/08/2007

DATE: 06/08/2007

1 2 3 4 5 6



ECOs INCLUDED ON THIS SCHEMATIC/PCB REVISION

ECO NO:	DATE:	DESCRIPTION:

THE INFORMATION CONTAINED IN THIS DRAWING IS THE SOLE PROPERTY OF LINE 6 INC. ANY REPRODUCTION IN PART OR WHOLE WITHOUT THE WRITTEN PERMISSION OF LINE 6 INC. IS PROHIBITED.

COMPANY: **LINE 6**

TITLE: **A15: SV MAIN INTERFACE**

PROGRAM: **PADS POWER LOGIC 2004**

REV: **A**

FILENAME: **review_panel**

DATED: **06/08/2007**

CHECKED: **review_panel**

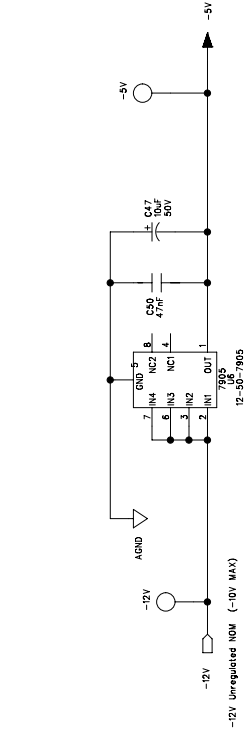
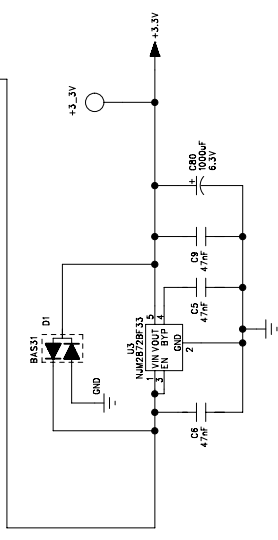
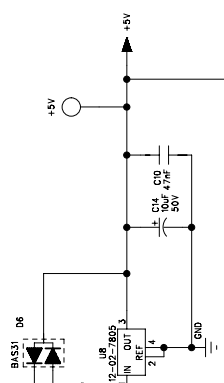
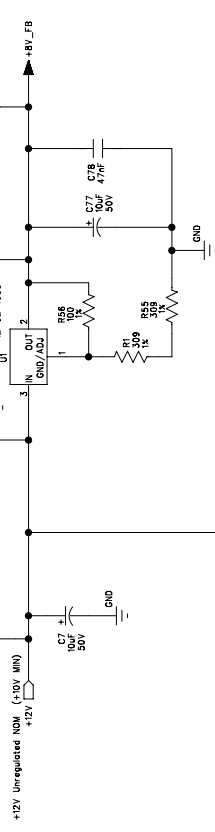
DATED:

SCALE: **1:1** | SIZE: **C** | PART NUMBER: **35-00-0250** | SHEET: **4 of 6**

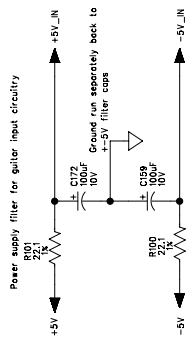
1 2 3 4 5 6

POWER

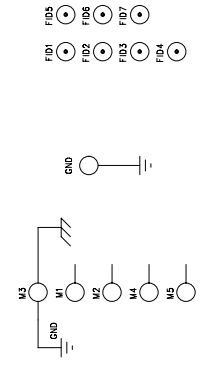
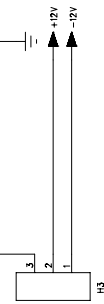
ECOs INCLUDED ON THIS SCHEMATIC/PCB REVISION	
ECD NO:	DATE:
DESCRIPTION:	



GND and ACND connected at supply



FROM SUPPLY PCB

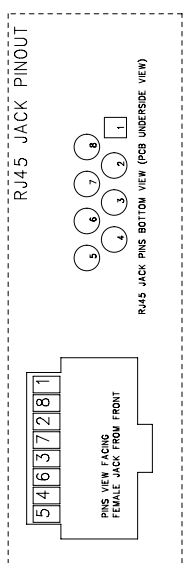
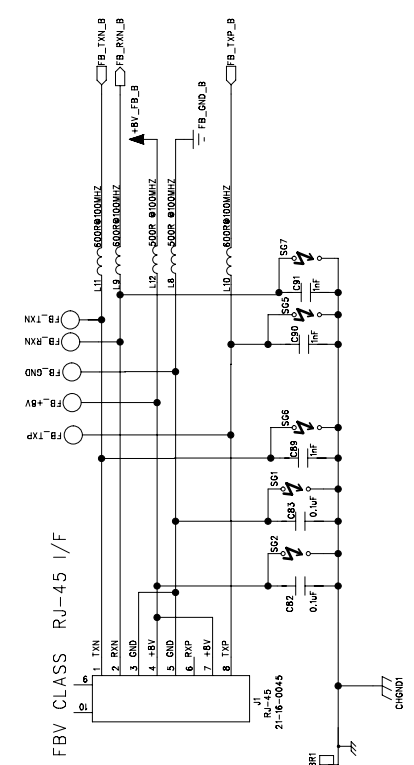
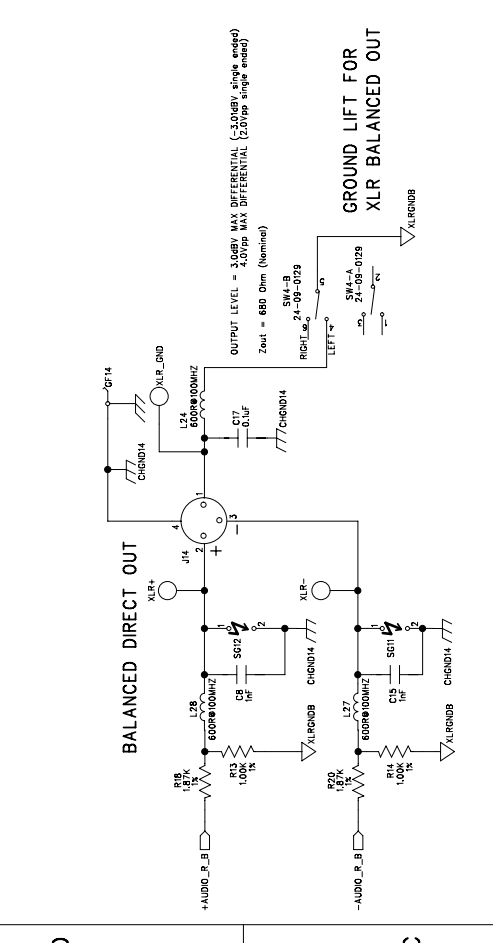
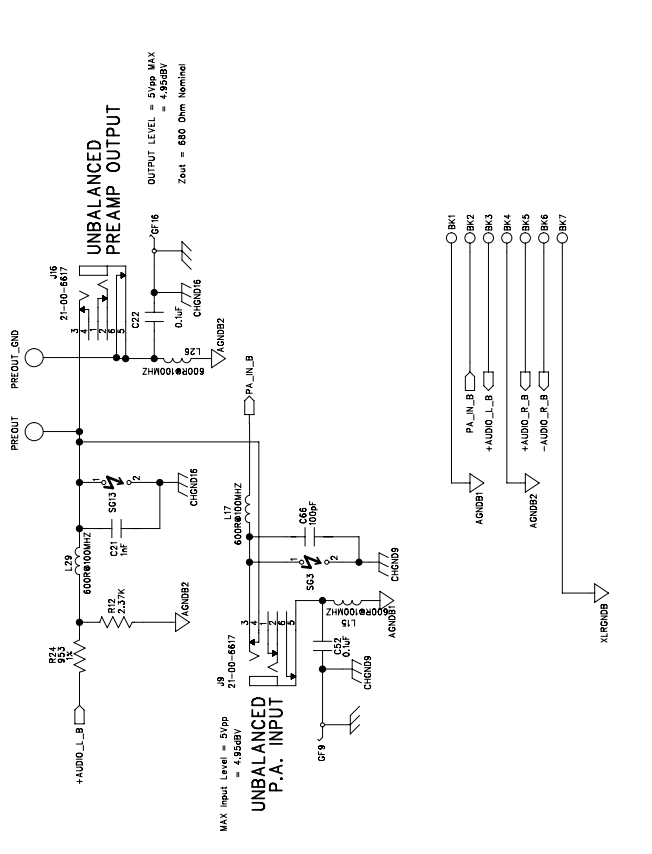


THE INFORMATION CONTAINED IN THIS DRAWING IS THE SOLE PROPERTY OF LINE 6 INC. ANY REPRODUCTION IN PART OR WHOLE WITHOUT THE WRITTEN PERMISSION OF LINE 6 INC. IS PROHIBITED.

COMPANY:	LINE 6
TITLE:	A15: SV MAIN POWER
PROGRAM:	PADS POWER LOGIC 2004
REV:	A
FILENAME:	
SCALE:	1:1
SHEET:	C
PART NUMBER:	35-00-0250
SHEET:	5 of 6

DRAWN:	DATED:
D. Mohr / C. Kirtley	06/08/2007
CHECKED:	DATED:
review panel	

ECOS INCLUDED ON THIS SCHEMATIC/PCB REVISION
 ECO NO: DATE: DESCRIPTION:



THE INFORMATION CONTAINED IN THIS DRAWING IS THE SOLE PROPERTY OF LINE 6 INC. ANY REPRODUCTION IN PART OR WHOLE WITHOUT THE WRITTEN PERMISSION OF LINE 6 INC. IS PROHIBITED.

COMPANY: **LINE 6**

TITLE: **A15: SV MAIN REAR PANEL JACKS BREAKAWAY PCB**

PROGRAM: **PADS LOGIC 2004**

REV: **A**

FILENAME: _____

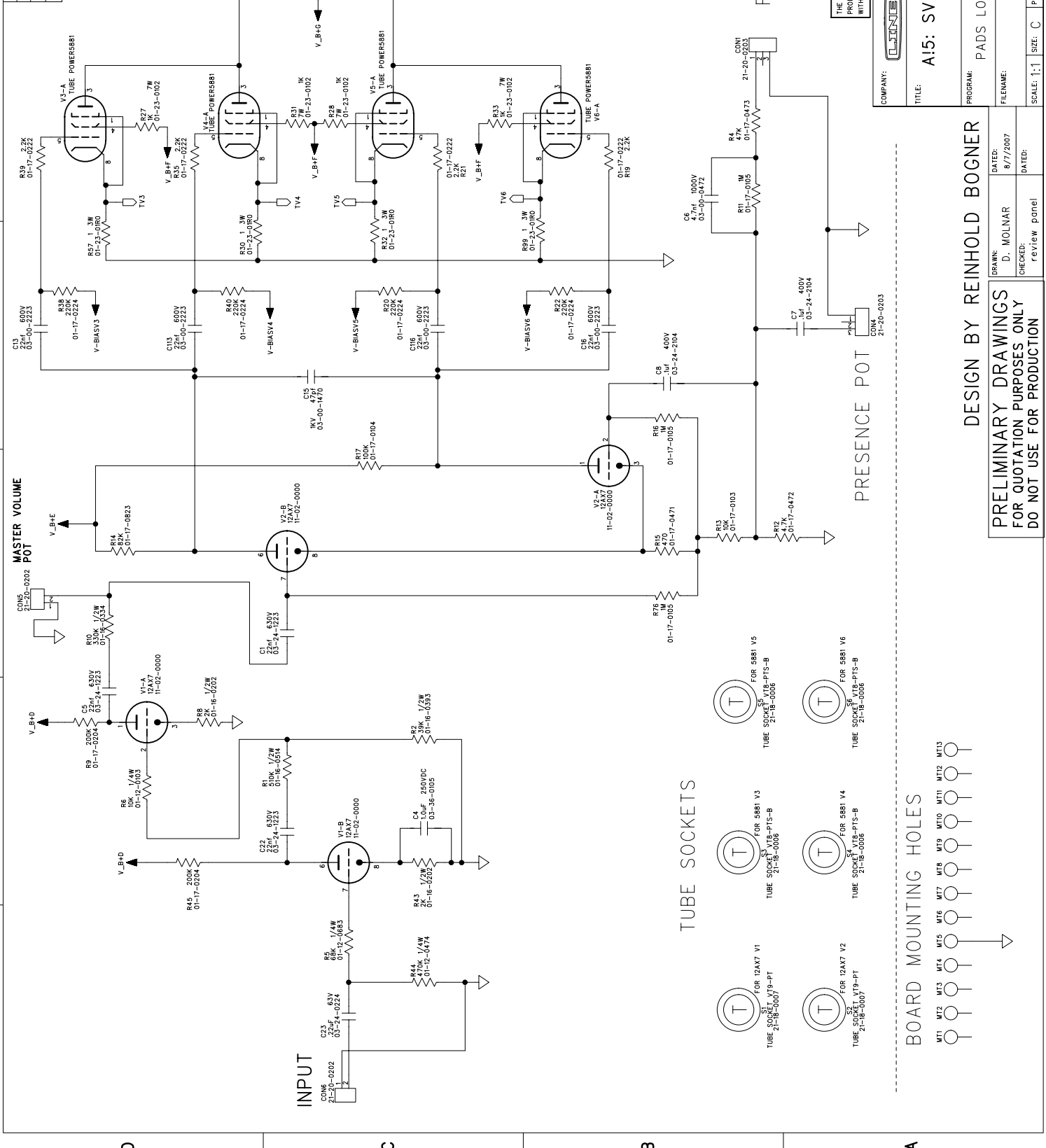
DRAWN: **D. MOLNAR** DATED: **06/08/2007**

CHECKED: **review panel** DATED: _____

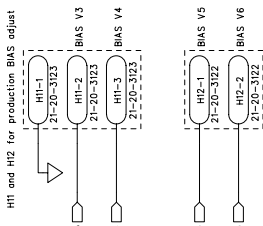
SCALE: **1:1** SHEET: **C** PART NUMBER: **35-00-0250-2** SHEET: **6 of 6**

PRELIMINARY DRAWINGS FOR QUOTATION PURPOSES ONLY DO NOT USE FOR PRODUCTION

ECO# INCLUDED ON THIS SCHEMATIC/PCB REVISION	
ECO NO.:	DATE:
DESCRIPTION:	



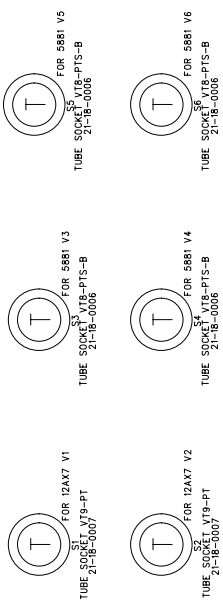
TO OUTPUT TRANSFORMER PRIMARY



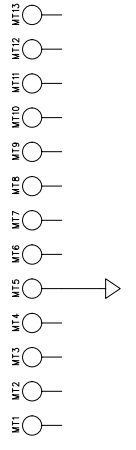
FEEDBACK

PRESENCE POT

TUBE SOCKETS



BOARD MOUNTING HOLES



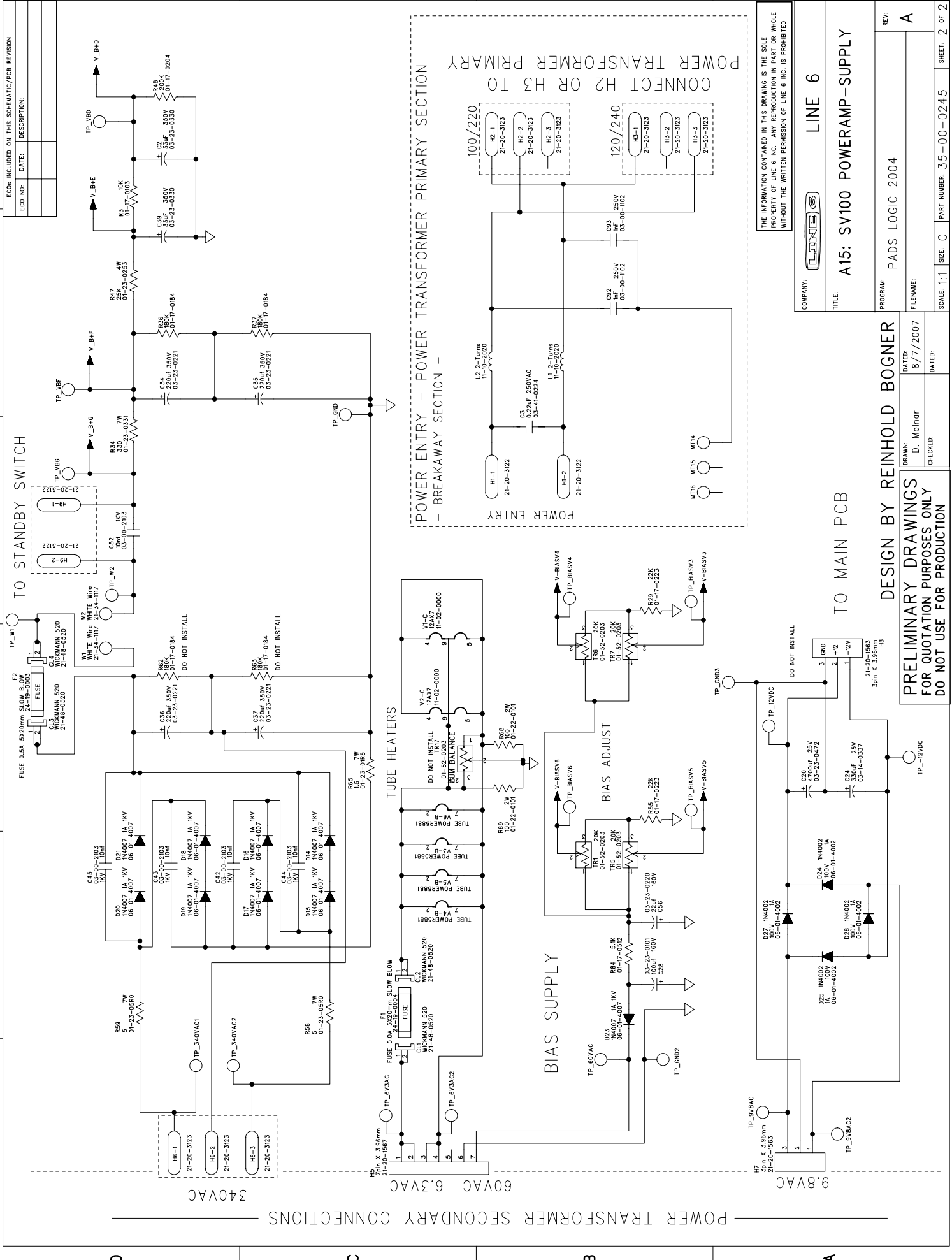
THE INFORMATION CONTAINED IN THIS DRAWING IS THE SOLE PROPERTY OF LINE 6 INC. ANY REPRODUCTION IN PART OR WHOLE WITHOUT THE WRITTEN PERMISSION OF LINE 6 INC. IS PROHIBITED.

COMPANY: LINE 6	
TITLE: A15: SV100 POWERAMP-SUPPLY	
PROGRAM: PADS LOGIC 2004	REV: A
FILENAME:	
SCALE: 1:1	SHEET: 1 OF 2

DESIGN BY REINHOLD BOGNER

PRELIMINARY DRAWINGS
FOR QUOTATION PURPOSES ONLY
DO NOT USE FOR PRODUCTION

DRAWN: D. MOLNAR	DATED: 8/7/2007
CHECKED: review panel	DATED:



ECO# INCLUDED ON THIS SCHEMATIC/PCB REVISION	
ECO NO:	DATE:
	DESCRIPTION:

COMPANY:	LINE 6
TITLE:	A15: SV100 POWERAMP-SUPPLY
PROGRAM:	PADS LOGIC 2004
FILENAME:	
DRAWN:	D. Molinar
CHECKED:	
DATED:	8/7/2007
SCALE:	1:1
SIZE:	C
PART NUMBER:	35-00-0245
SHEET:	2 OF 2

THE INFORMATION CONTAINED IN THIS DRAWING IS THE SOLE PROPERTY OF LINE 6 INC. ANY REPRODUCTION IN PART OR WHOLE WITHOUT THE WRITTEN PERMISSION OF LINE 6 INC. IS PROHIBITED.

DESIGN BY REINHOLD BOGNER

PRELIMINARY DRAWINGS FOR QUOTATION PURPOSES ONLY DO NOT USE FOR PRODUCTION

1

2

3

4

5

6

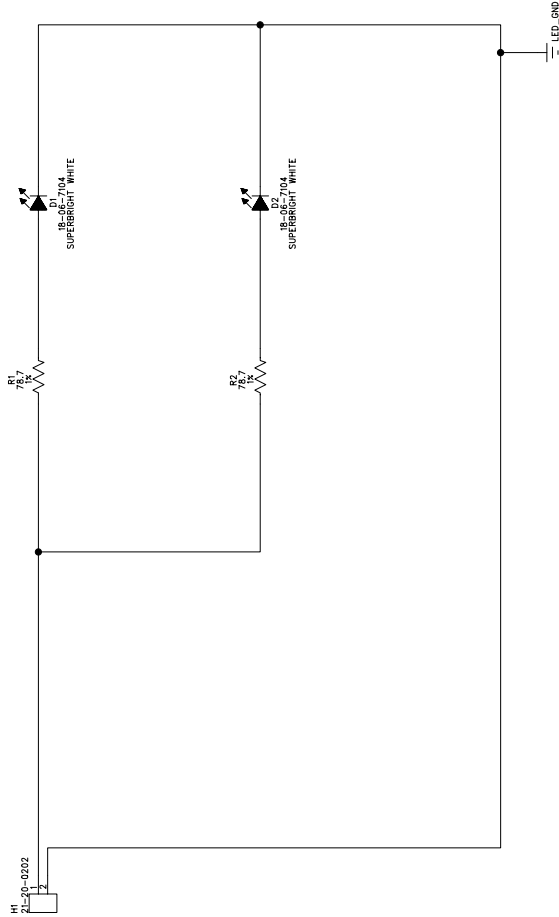
D

C

B

A

ECCS INCLUDED ON THIS SCHEMATIC/PCB REVISION	
ECC NO:	DATE:
DESCRIPTION:	



THE INFORMATION CONTAINED IN THIS DRAWING IS THE SOLE PROPERTY OF LINE 6 INC. ANY REPRODUCTION IN PART OR WHOLE WITHOUT THE WRITTEN PERMISSION OF LINE 6 INC. IS PROHIBITED.

COMPANY:	LINE 6
TITLE:	A15: SV LED BOARD
PROGRAM:	PADS LOGIC 2004
REV:	A
FILENAME:	
SCALE: 1:1	SHEET: 1 OF 1

DRAWN:	D. MOLNAR	DATED:	7/3/2007
CHECKED:	review panel	DATED:	
<p>PRELIMINARY DRAWINGS FOR QUOTATION PURPOSES ONLY DO NOT USE FOR PRODUCTION</p>			

D

C

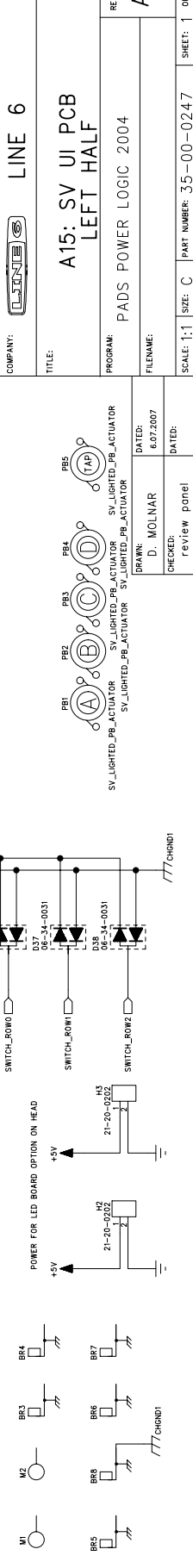
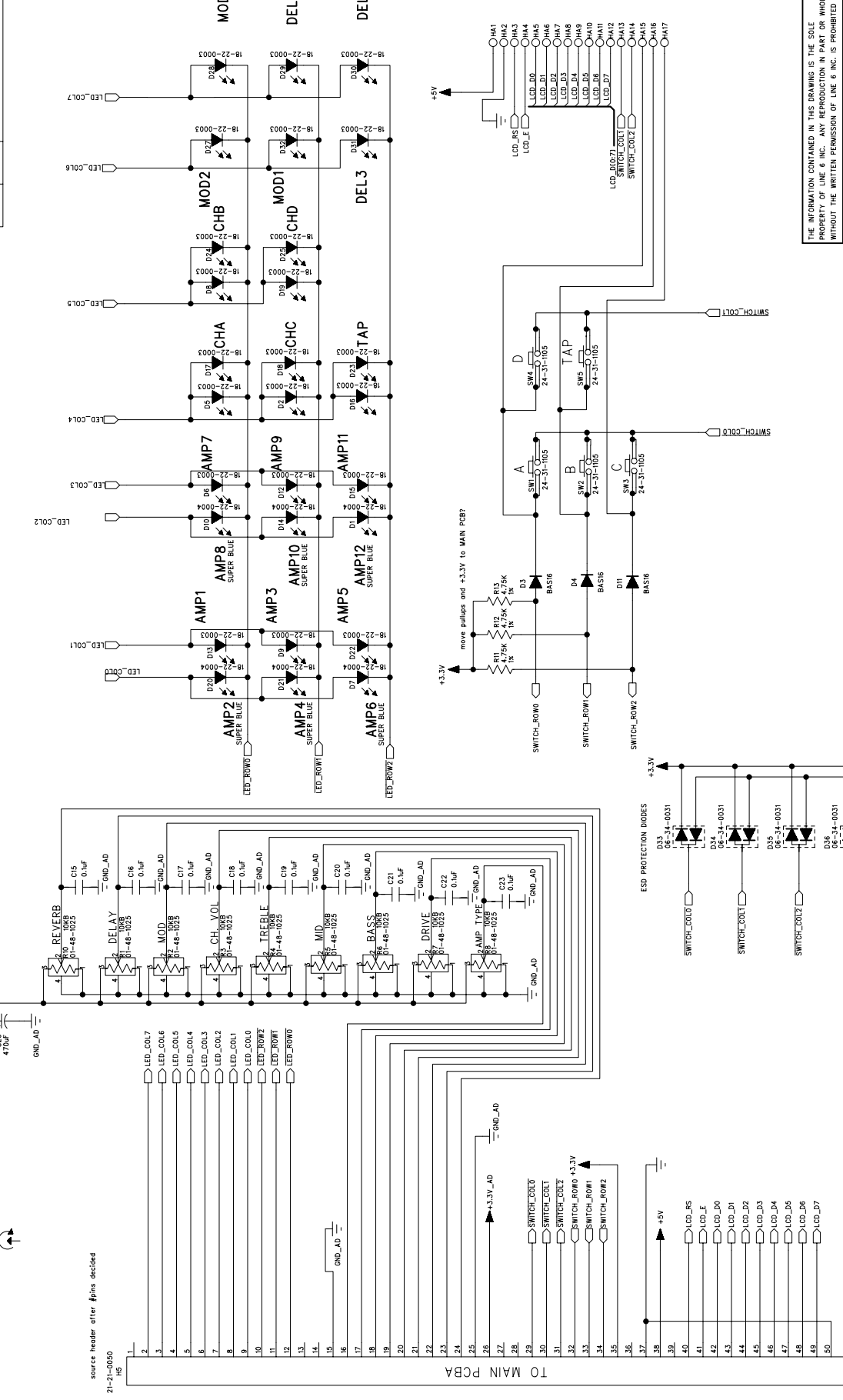
B

A

All Pots - Linear Taper

USER INTERFACE

ECOs INCLUDED ON THIS SCHEMATIC/PCB REVISION	
ECO NO:	DATE:
DESCRIPTION:	



COMPANY: LINE 6

TITLE: A15: SV UI PCB LEFT HALF

PROGRAM: PADS POWER LOGIC 2004

REV: A

FILENAME:
 DRAWN: D. MOLNAR
 CHECKED: review panel
 DATED: 6.07.2007

SCALE: 1:1 SIZE: C PART NUMBER: 35-00-0247 SHEET: 1 OF 3

THE INFORMATION CONTAINED IN THIS DRAWING IS THE SOLE PROPERTY OF LINE 6 INC. ANY REPRODUCTION IN PART OR WHOLE WITHOUT THE WRITTEN PERMISSION OF LINE 6 INC. IS PROHIBITED.



1

2

3

4

5

6

D

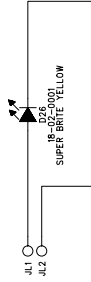
C

B

A

ECOs INCLUDED ON THIS SCHEMATIC/PCB REVISION	
ECO NO:	DATE:
DESCRIPTION:	

JEWEL LIGHT LED PCB



THE INFORMATION CONTAINED IN THIS DRAWING IS THE SOLE PROPERTY OF LINE 6 INC. ANY REPRODUCTION IN PART OR WHOLE WITHOUT THE WRITTEN PERMISSION OF LINE 6 INC. IS PROHIBITED.



COMPANY: LINE 6

TITLE:
A15: SV UI
JEWEL LIGHT LED PCB

PROGRAM:	PADS LOGIC 2004	REV:	A
FILENAME:		SCALE:	1:1
SIZE:	C	PART NUMBER:	35-00-0247-2
SHEET:	3	OF:	3

DRAWN:	D. MOLNAR	DATED:	6.07.2007
CHECKED:	review panel	DATED:	

**PRELIMINARY DRAWINGS
FOR QUOTATION PURPOSES ONLY
DO NOT USE FOR PRODUCTION**

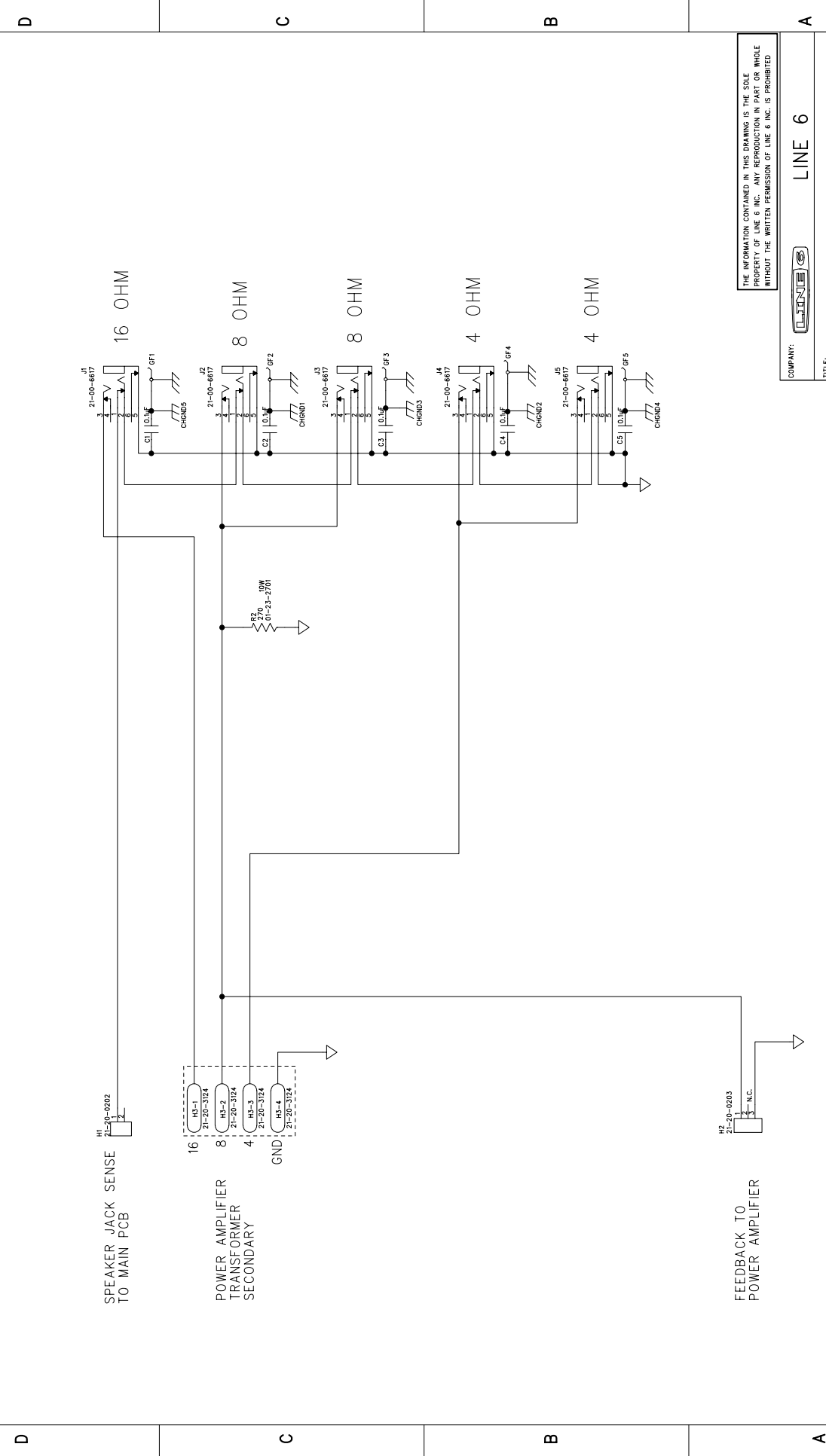
D

C

B

A

1 2 3 4 5 6



ECOs INCLUDED ON THIS SCHEMATIC/PCB REVISION	
ECD NO:	DATE:
	DESCRIPTION:

THE INFORMATION CONTAINED IN THIS DRAWING IS THE SOLE PROPERTY OF LINE 6 INC. ANY REPRODUCTION IN PART OR WHOLE WITHOUT THE WRITTEN PERMISSION OF LINE 6 INC. IS PROHIBITED.

COMPANY:	LINE 6
TITLE:	A15: SV100 SPEAKER OUT
PROGRAM:	PADS LOGIC 2004
REV:	A
FILENAME:	
SCALE:	1:1
SHEET:	1 OF 1

DRAWN:	D. MOLNAR	DATED:	8/8/2007
CHECKED:	review panel	DATED:	

PRELIMINARY DRAWINGS FOR QUOTATION PURPOSES ONLY DO NOT USE FOR PRODUCTION