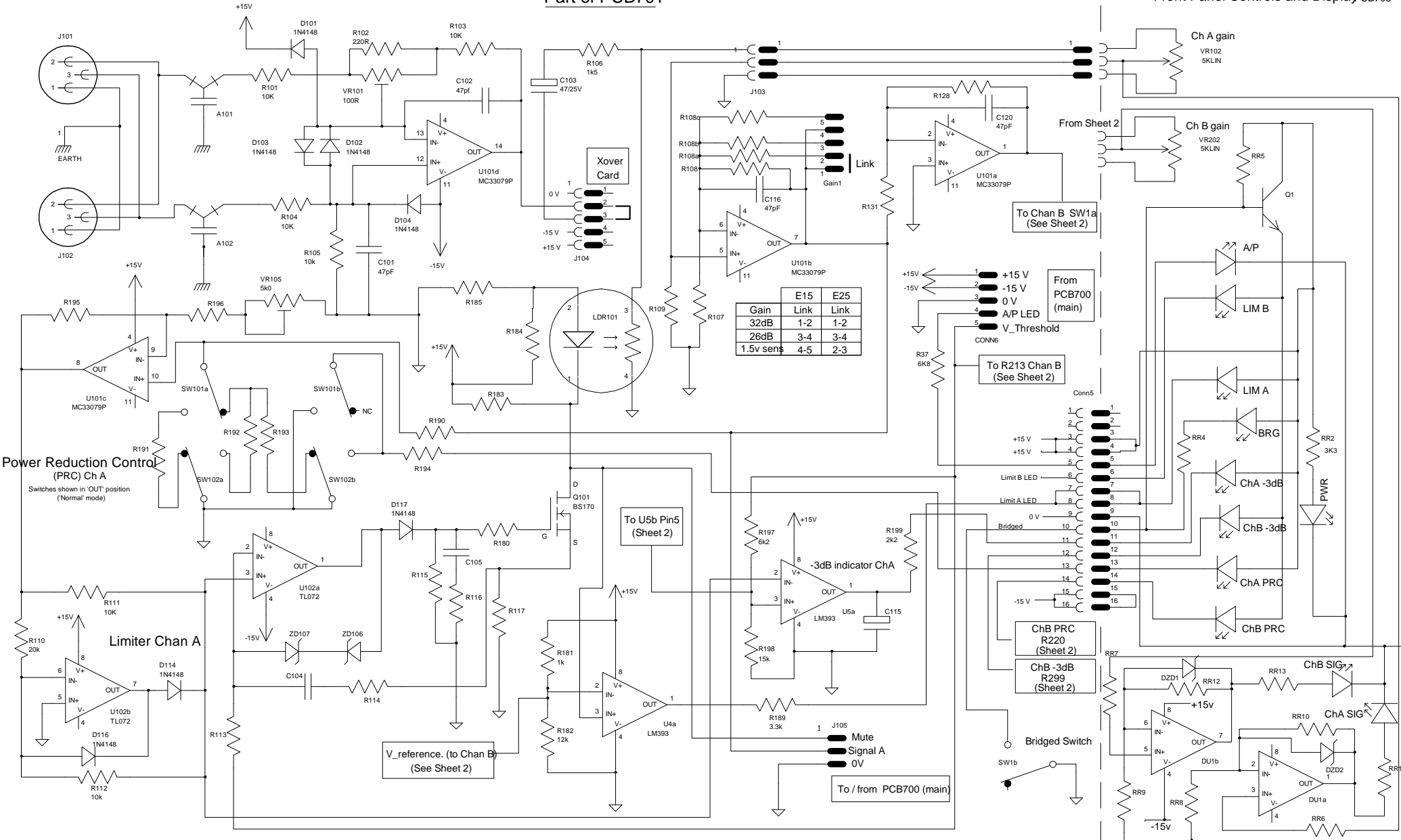


Part of PCB701

Front Panel Controls and Display PCB703



	E15	E25
Gain	32dB	26dB
Link	1-2	3-4
1.5v sens	4-5	2-3

Power Reduction Control (PRC) Ch A
Switches shown in 'OUT' position ('Normal' mode)

Limiter Chan A

To U5b Pin5 (Sheet 2)

V_reference. (to Chan B) (See Sheet 2)

To / from PCB700 (main)

ChB PRC R220 (Sheet 2)

ChB -3dB R299 (Sheet 2)