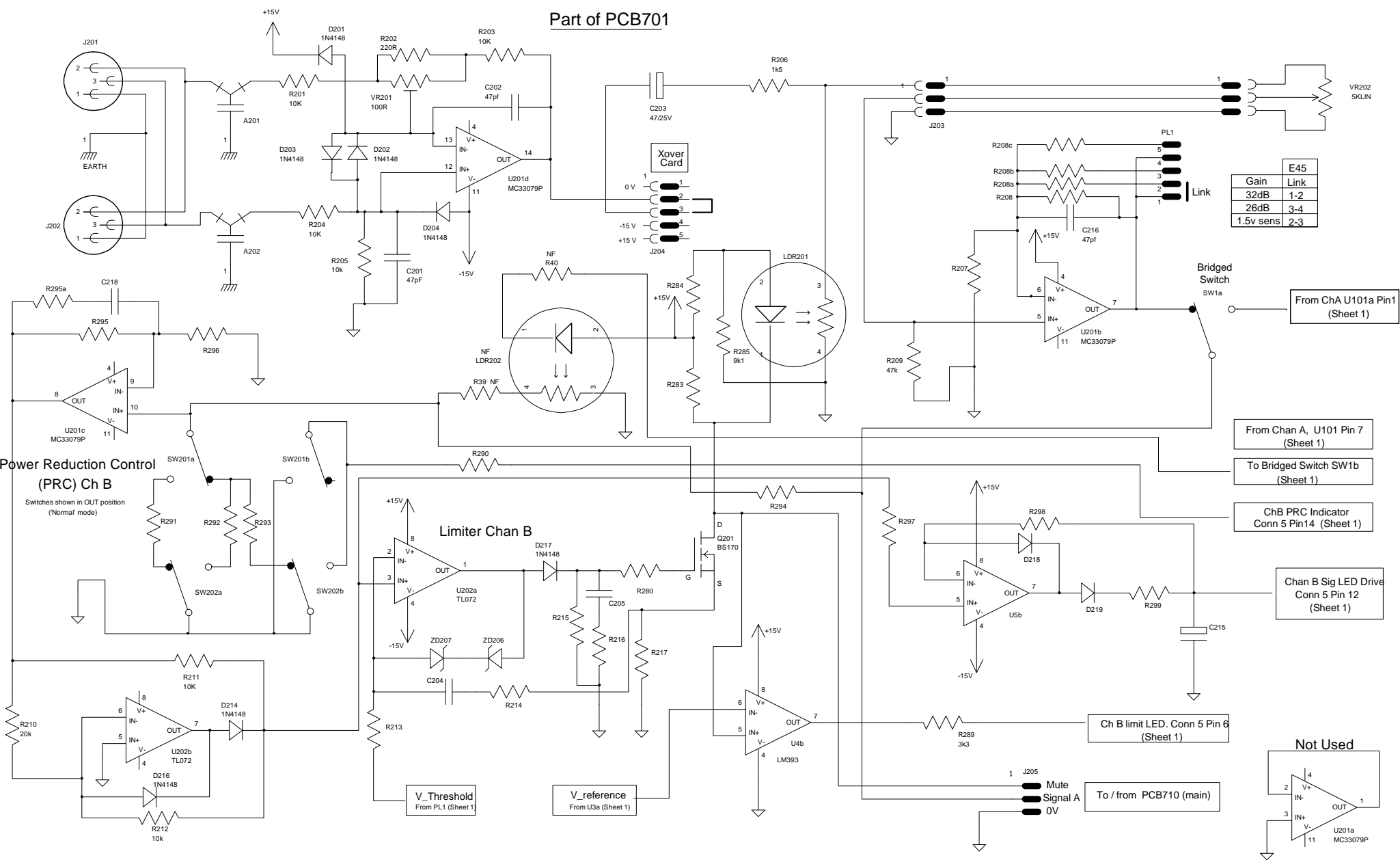


Part of PCB701



E45	
Gain	Link
32dB	1-2
26dB	3-4
1.5v sens	2-3

Power Reduction Control (PRC) Ch B
Switches shown in OUT position (Normal mode)

Limiter Chan B

From Chan A, U101 Pin 7 (Sheet 1)

To Bridged Switch SW1b (Sheet 1)

ChB PRC Indicator Conn 5 Pin14 (Sheet 1)

Chan B Sig LED Drive Conn 5 Pin 12 (Sheet 1)

Ch B limit LED. Conn 5 Pin 6 (Sheet 1)

To / from PCB701 (main)

