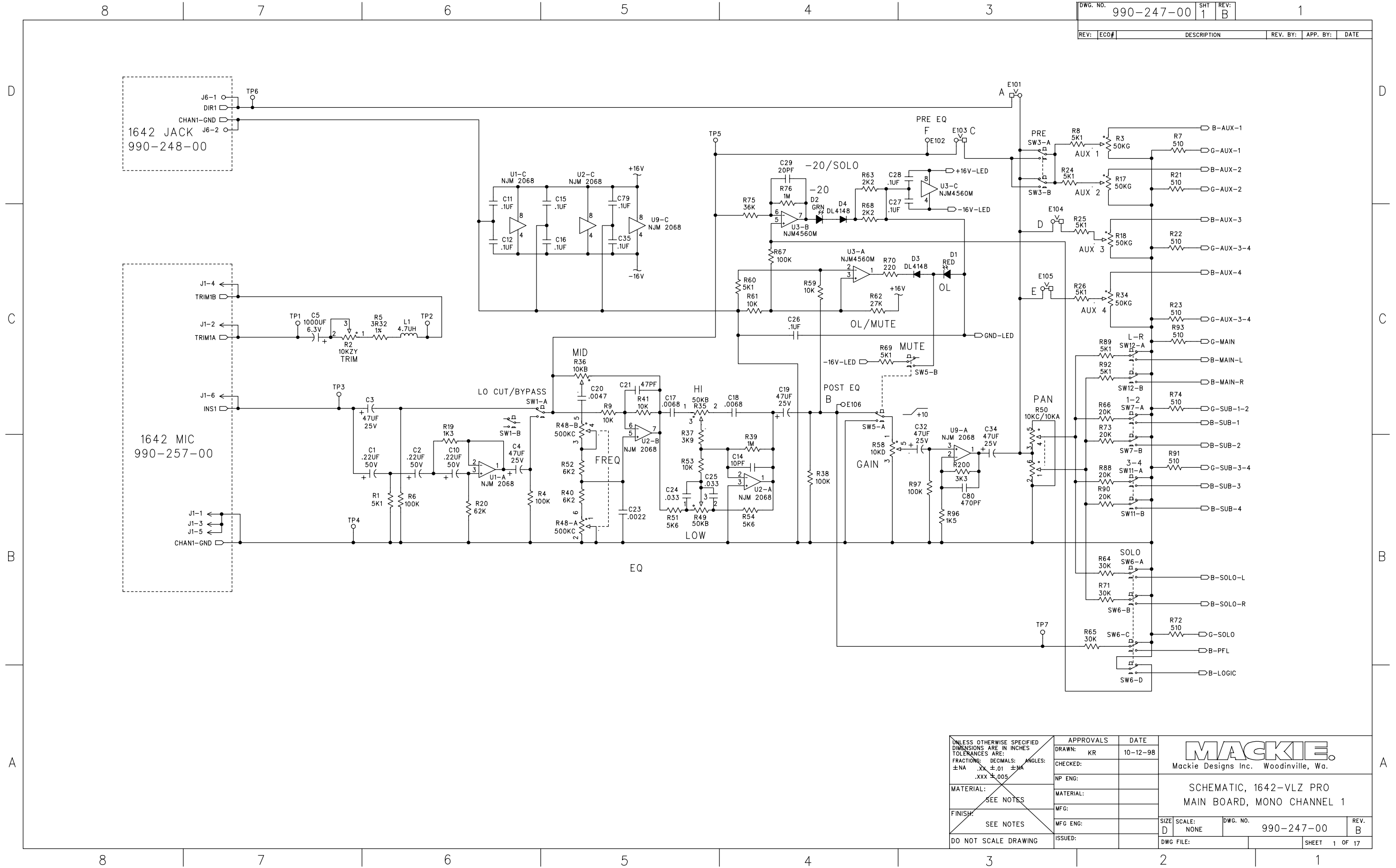
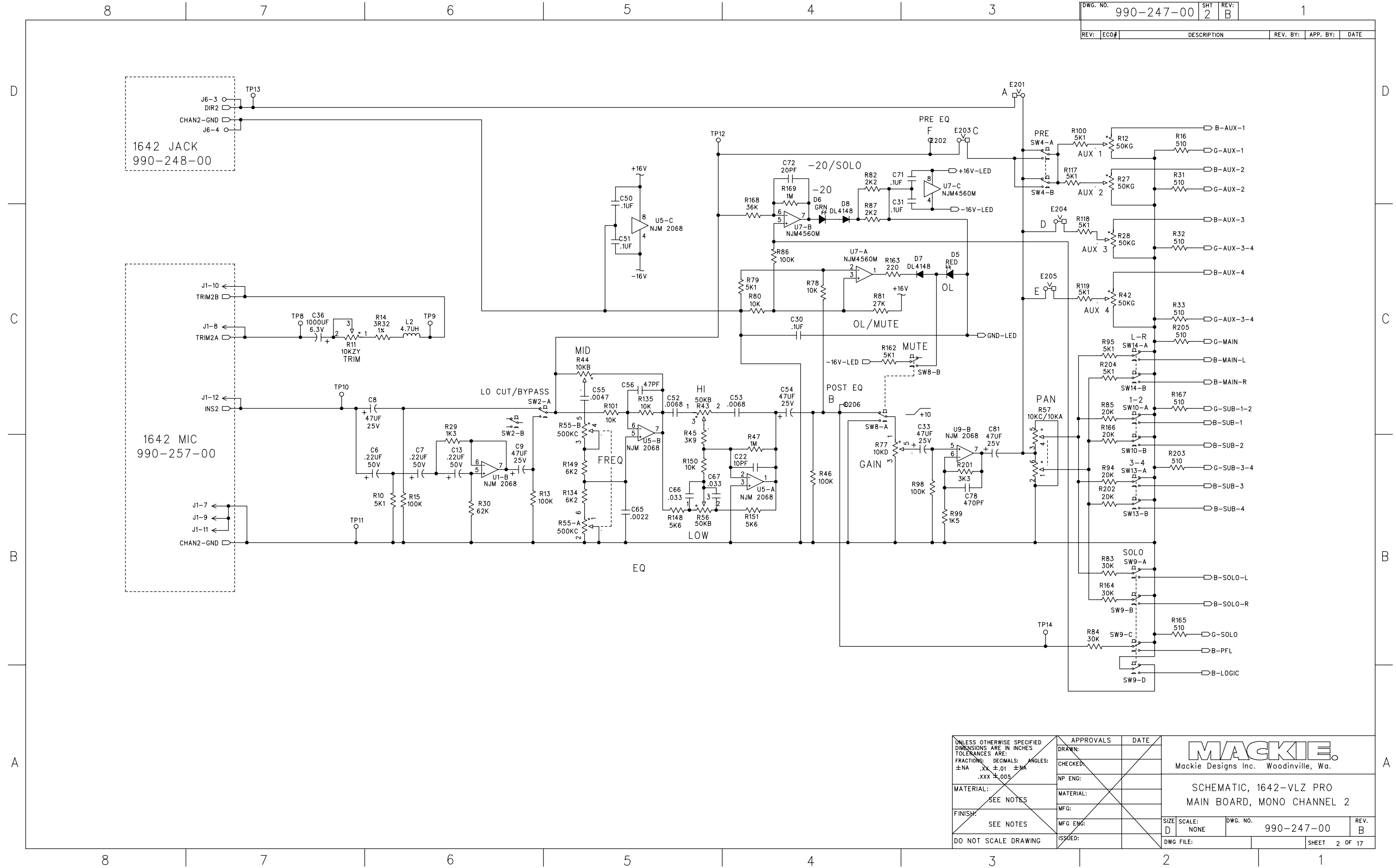


DWG. NO.	990-247-00	SHT	1	REV:	B
REV:	ECDF	DESCRIPTION	REV. BY:	APP. BY:	DATE

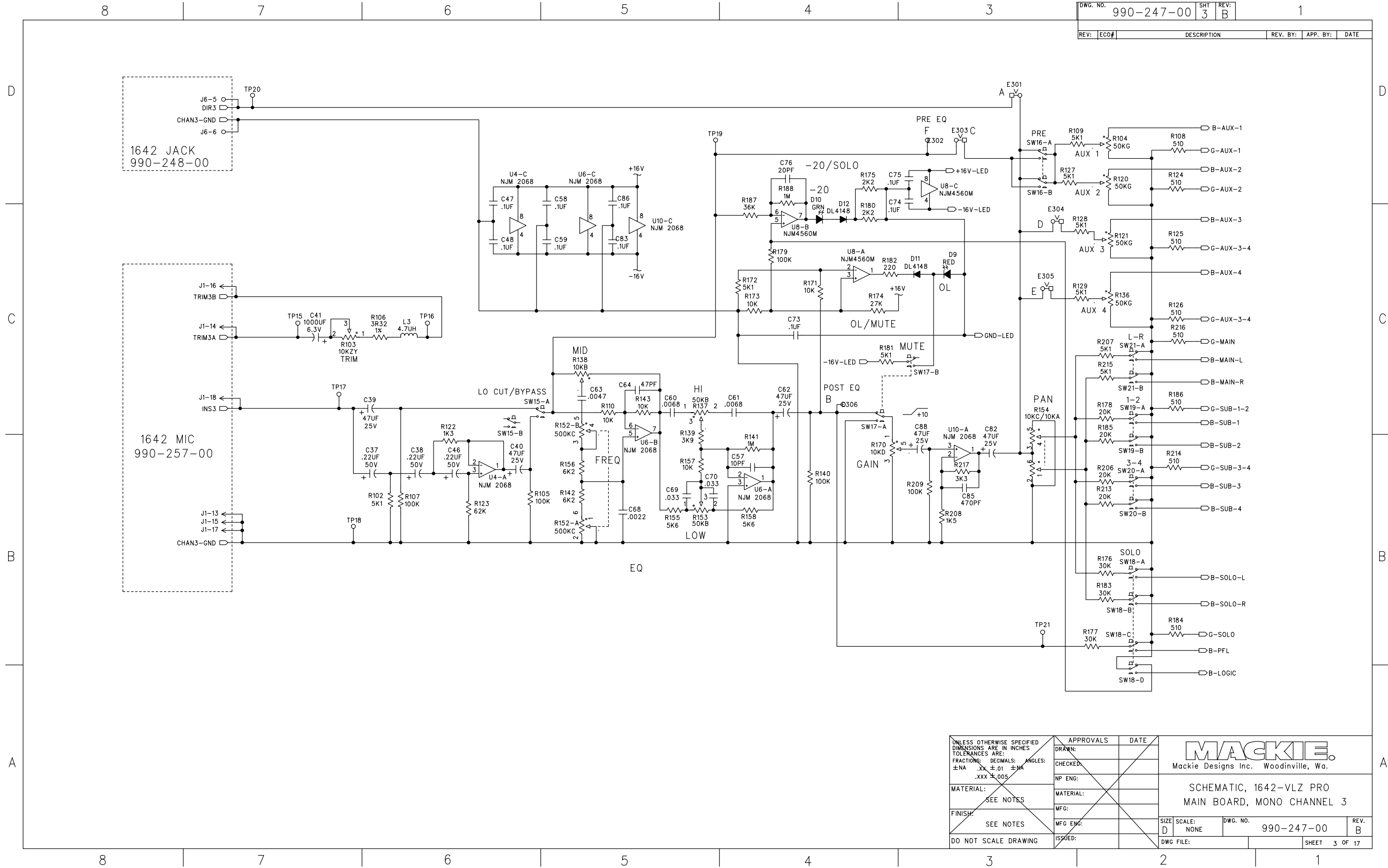


UNLESS OTHERWISE SPECIFIED DIMENSIONS ARE IN INCHES TOLERANCES ARE: FRACTIONS: DECIMALS: ANGLES: ±.NA .XX ±.01 ±.NA .XXX ±.005 MATERIAL: SEE NOTES FINISH: SEE NOTES DO NOT SCALE DRAWING	APPROVALS	DATE	MACKIE Mackie Designs Inc. Woodinville, Wa. SCHEMATIC, 1642-VLZ PRO MAIN BOARD, MONO CHANNEL 1
	DRAWN: KR	10-12-98	
	CHECKED:		
	NP ENG:		
	MATERIAL:		SIZE SCALE: DWG. NO. REV.
	MFG:		D NONE 990-247-00 B
	MFG ENG:		DWG. NO. 990-247-00 REV. B
	ISSUED:		SIZE SCALE: DWG. NO. REV. B
			DWG. NO. 990-247-00 REV. B
			SIZE SCALE: DWG. NO. REV. B
			DWG. NO. 990-247-00 REV. B
			SIZE SCALE: DWG. NO. REV. B
			DWG. NO. 990-247-00 REV. B



UNLESS OTHERWISE SPECIFIED DIMENSIONS ARE IN INCHES TOLERANCES ARE: FRACTIONS: DECIMALS: ANGLES: ±NA .XX ±.01 ±MA .XXX ±.005	APPROVALS	DATE	Mackie Designs Inc. Woodinville, Wa. SCHEMATIC, 1642-VLZ PRO MAIN BOARD, MONO CHANNEL 2
	DRAWN:		
	CHECKED:		
	NP ENG:		
MATERIAL:	MATERIAL:		SIZE: D SCALE: NONE DWG. NO. 990-247-00 REV. B DWG FILE: SHEET 2 OF 17
SEE NOTES	MFG:		
FINISH:	MFG ENG:		
SEE NOTES	ISSUED:		
DO NOT SCALE DRAWING			

DWG. NO.	990-247-00	SHT	3	REV.	B	1
REV:	ECO#	DESCRIPTION	REV. BY:	APP. BY:	DATE	

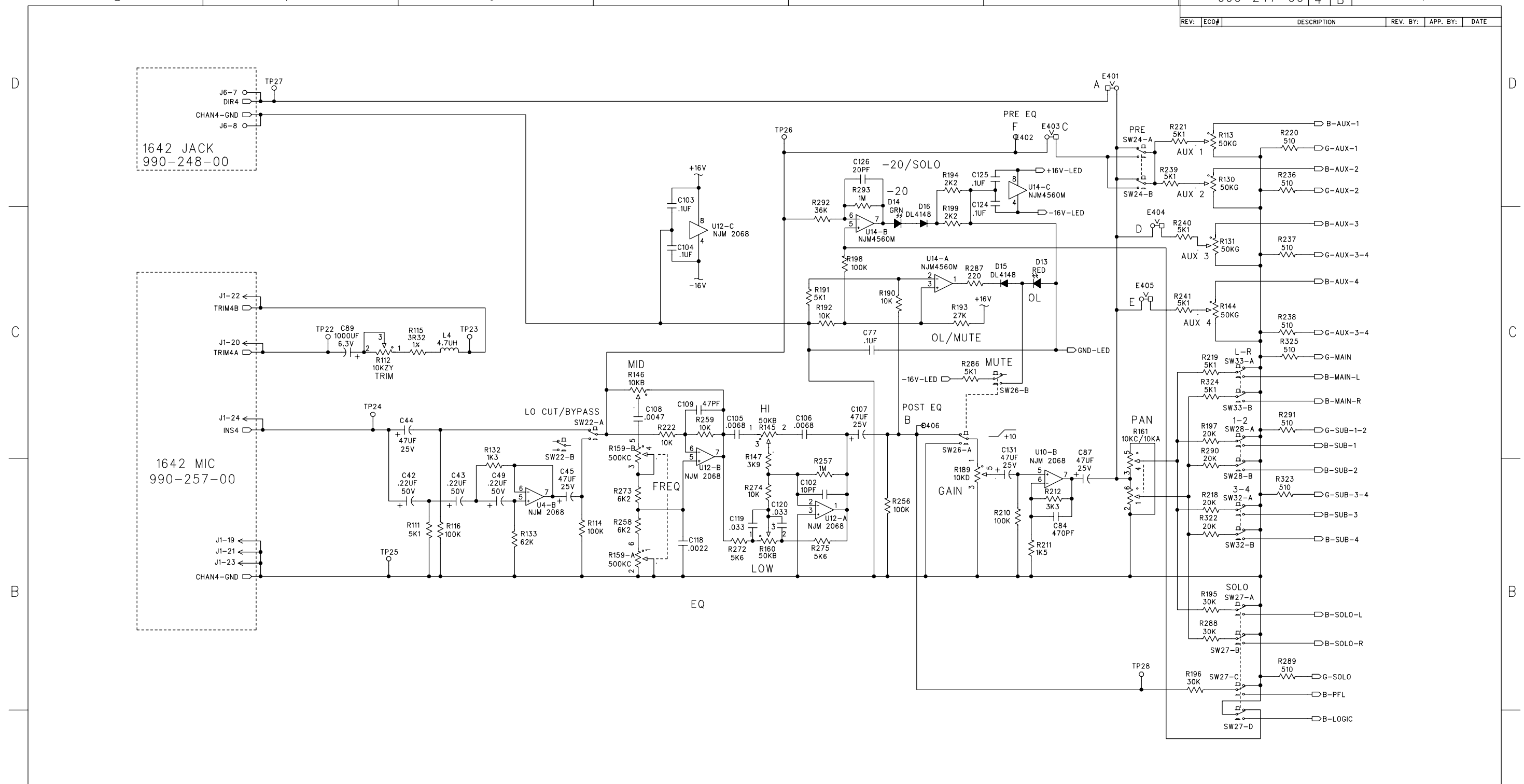


UNLESS OTHERWISE SPECIFIED DIMENSIONS ARE IN INCHES TOLERANCES ARE: FRACTIONS: DECIMALS: ANGLES: ±.NA .XX ±.01 ±.NA .XXX ±.005	APPROVALS	DATE
MATERIAL: SEE NOTES	DRAWN:	
FINISH: SEE NOTES	CHECKED:	
DO NOT SCALE DRAWING	NP ENG:	
	MATERIAL:	
	MFG:	
	MFG ENG:	
	ISSUED:	

MACKIE
Mackie Designs Inc. Woodinville, Wa.

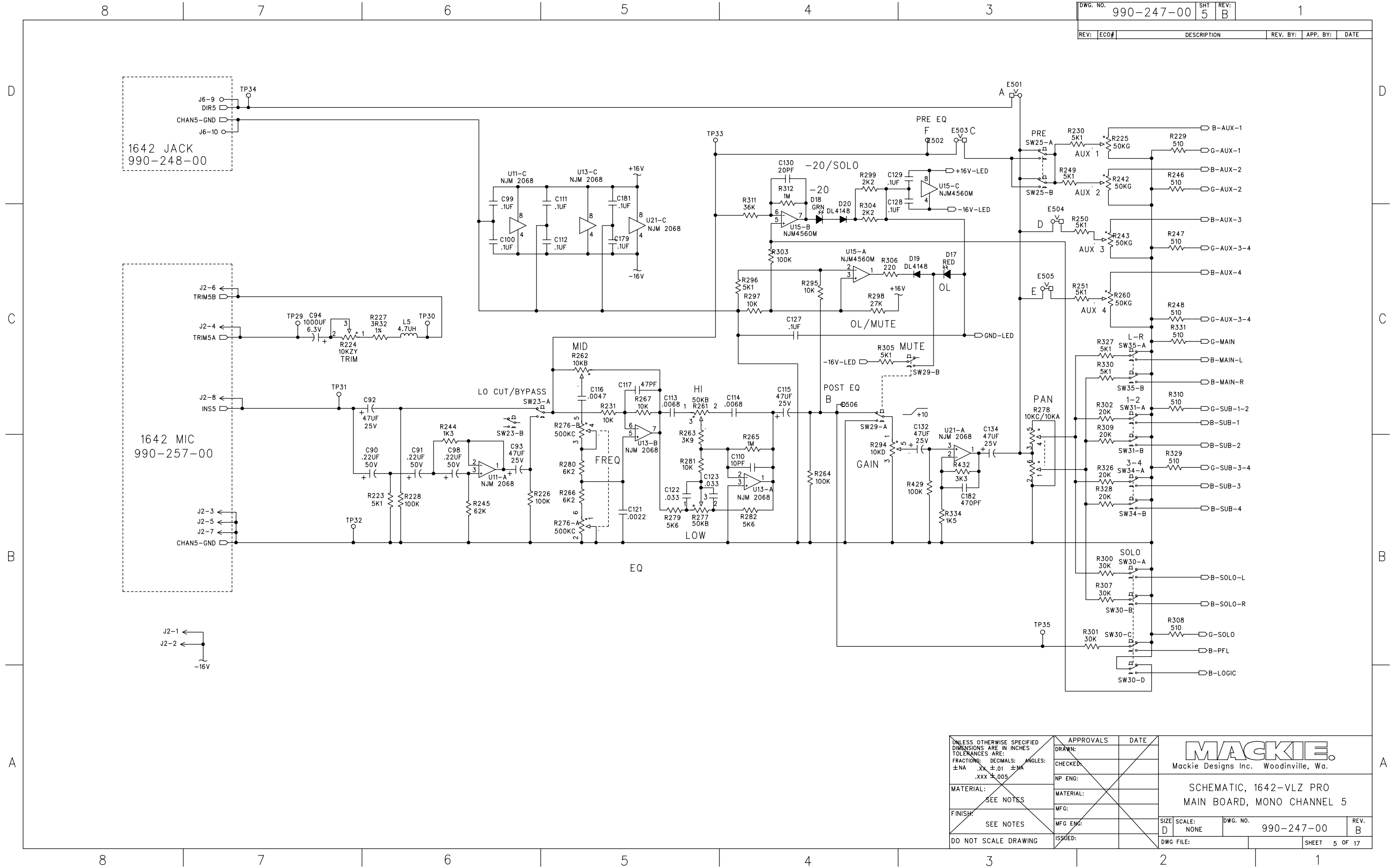
SCHEMATIC, 1642-VLZ PRO
MAIN BOARD, MONO CHANNEL 3

SIZE	SCALE:	DWG. NO.	REV.
D	NONE	990-247-00	B
DWG FILE:		SHEET	3 OF 17

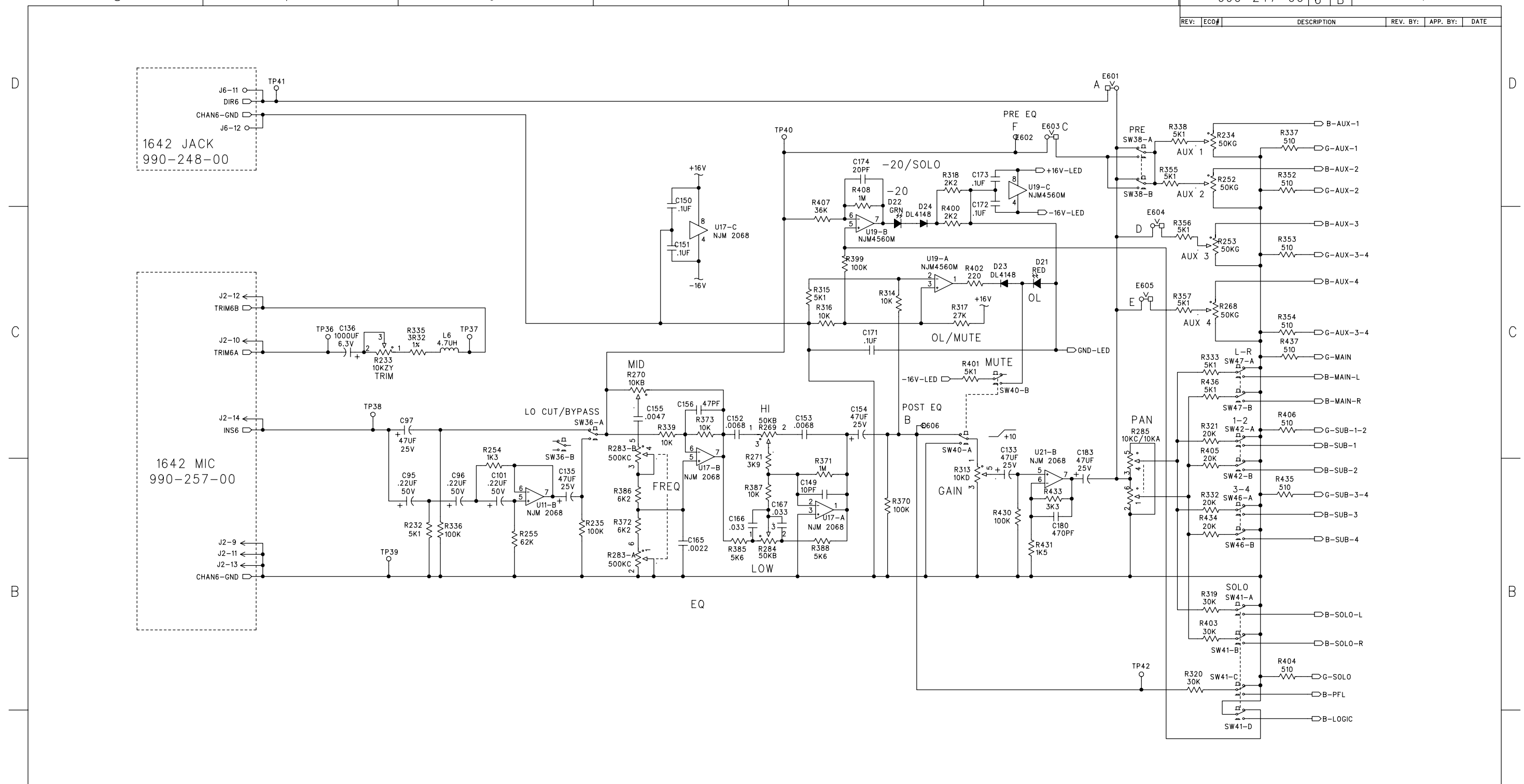


UNLESS OTHERWISE SPECIFIED DIMENSIONS ARE IN INCHES TOLERANCES ARE: FRACTIONS: DECIMALS: ANGLES: ±NA .XX ±.01 ±MA .XXX ±.005	APPROVALS	DATE		
	DRAWN:			
	CHECKED:			
	NP ENG:			
MATERIAL:	MATERIAL:		SCHEMATIC, 1642-VLZ PRO MAIN BOARD, MONO CHANNEL 4	
SEE NOTES	MFG:			
SEE NOTES	MFG ENG:			
DO NOT SCALE DRAWING	ISSUED:			
	SIZE	SCALE	DWG. NO.	REV.
	D	NONE	990-247-00	B
	DWG FILE:			SHEET 4 OF 17

DWG. NO.	990-247-00	SHT	5	REV.	B	1
REV:	ECDF	DESCRIPTION	REV. BY:	APP. BY:	DATE	

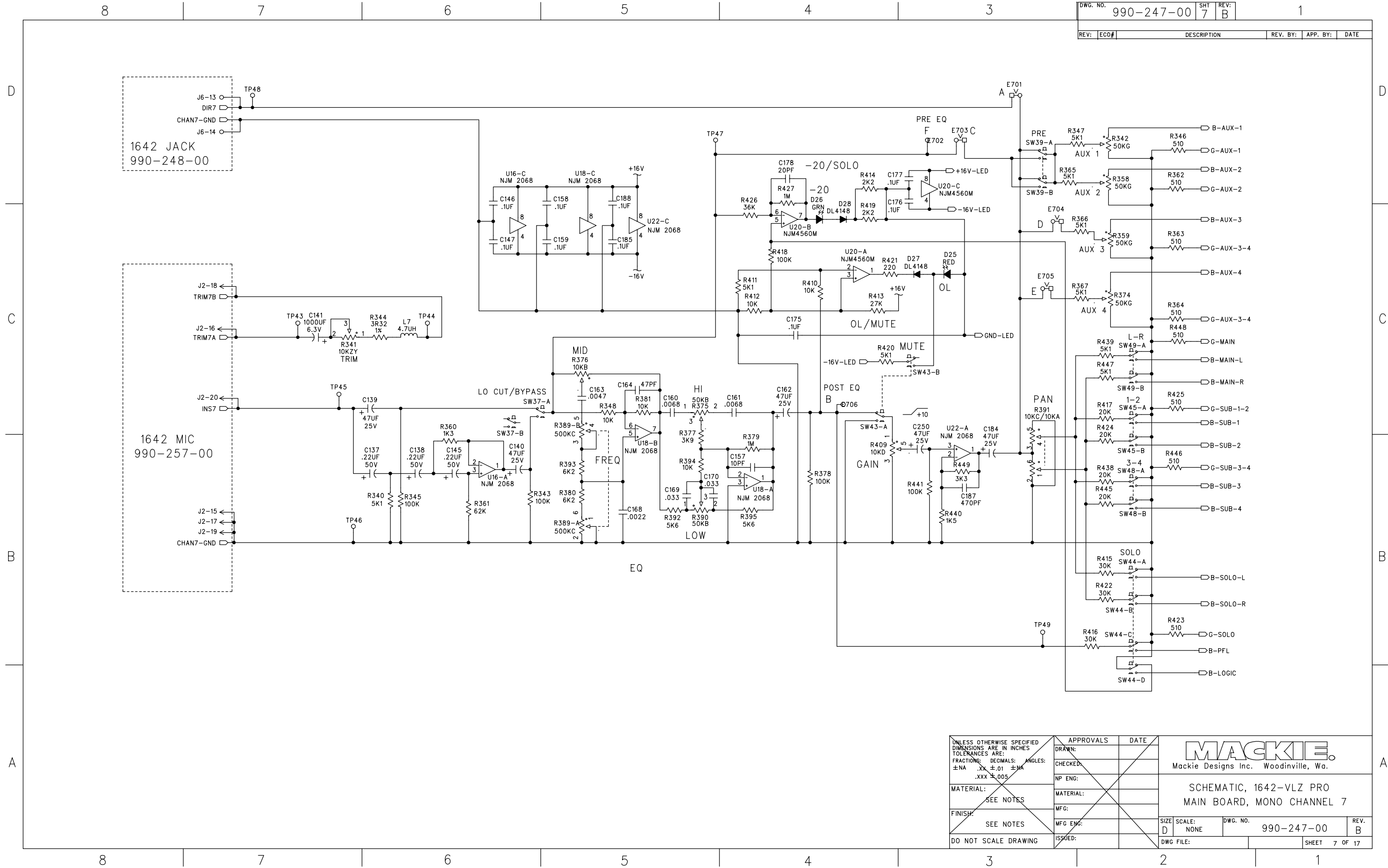


UNLESS OTHERWISE SPECIFIED DIMENSIONS ARE IN INCHES TOLERANCES ARE: FRACTIONS: DECIMALS: ANGLES: ±.NA .XX ±.01 ±.NA .XXX ±.005	APPROVALS	DATE	 Mackie Designs Inc. Woodinville, Wa. SCHEMATIC, 1642-VLZ PRO MAIN BOARD, MONO CHANNEL 5
	DRAWN:		
	CHECKED:		
	NP ENG:		
MATERIAL:	MATERIAL:		SIZE SCALE: DWG. NO. REV. D NONE 990-247-00 B
FINISH:	MFG:		
SEE NOTES	MFG ENG:		DWG FILE: SHEET 5 OF 17
SEE NOTES	ISSUED:		
DO NOT SCALE DRAWING			



UNLESS OTHERWISE SPECIFIED DIMENSIONS ARE IN INCHES TOLERANCES ARE: FRACTIONS: DECIMALS: ANGLES: ±NA .XX ±.01 ±MA .XXX ±.005	APPROVALS	DATE	<p>Mackie Designs Inc. Woodinville, Wa.</p> <p>SCHEMATIC, 1642-VLZ PRO MAIN BOARD, MONO CHANNEL 6</p>
	DRAWN:		
	CHECKED:		
	NP ENG:		
MATERIAL:	MATERIAL:		SIZE: D SCALE: NONE DWG. NO. 990-247-00 REV. B DWG FILE: SHEET 6 OF 17
SEE NOTES	MFG:		
FINISH:	MFG ENG:		
SEE NOTES	ISSUED:		
DO NOT SCALE DRAWING			

DWG. NO.	990-247-00	SHT	7	REV.	B	1
REV:	ECDF	DESCRIPTION	REV. BY:	APP. BY:	DATE	

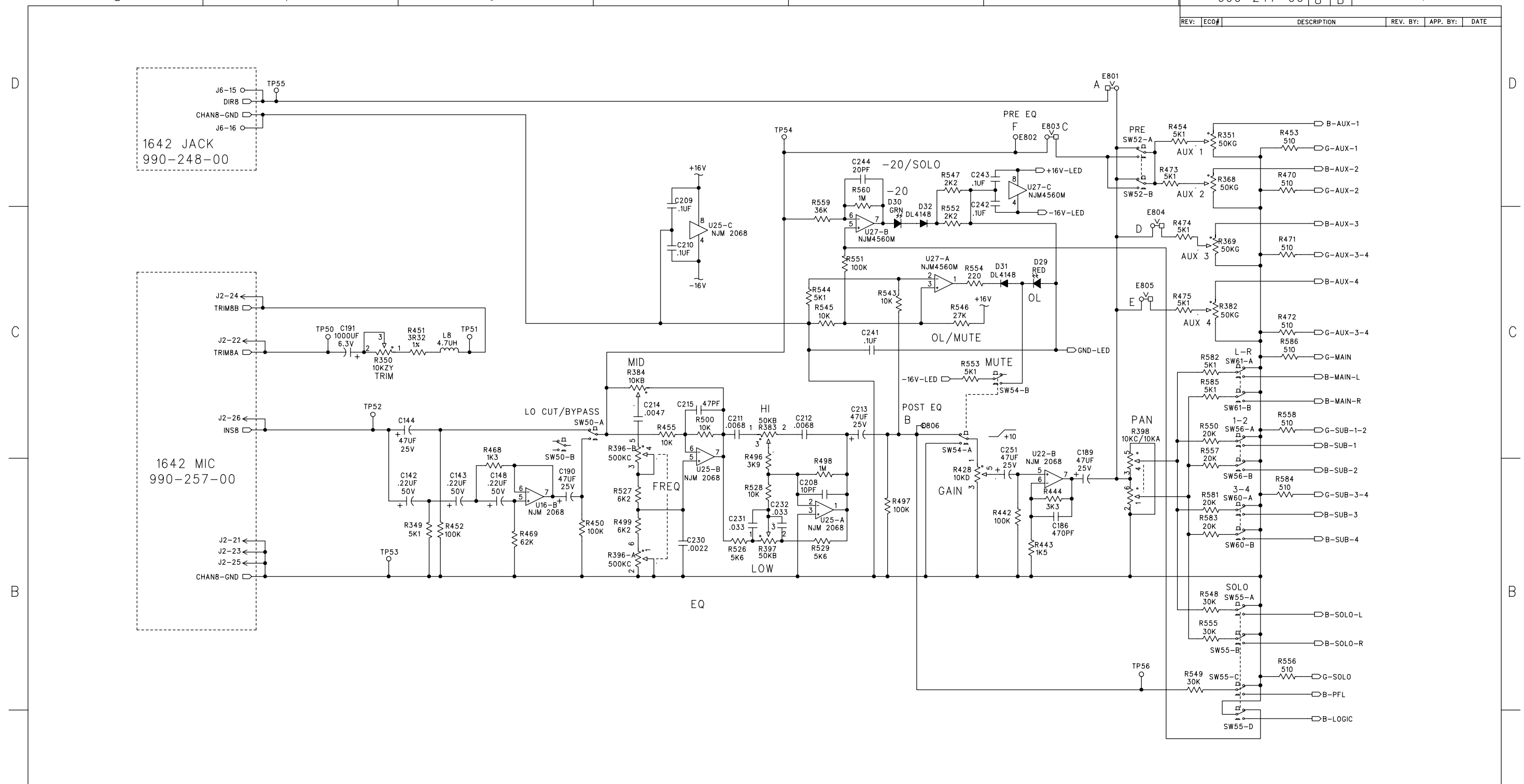


UNLESS OTHERWISE SPECIFIED DIMENSIONS ARE IN INCHES TOLERANCES ARE: FRACTIONS: DECIMALS: ANGLES: ±.NA .XX ±.01 ±.NA .XXX ±.005	APPROVALS	DATE
	DRAWN:	
	CHECKED:	
	NP ENG:	
MATERIAL:	MATERIAL:	
FINISH:	MFG:	
SEE NOTES	MFG ENG:	
DO NOT SCALE DRAWING	ISSUED:	

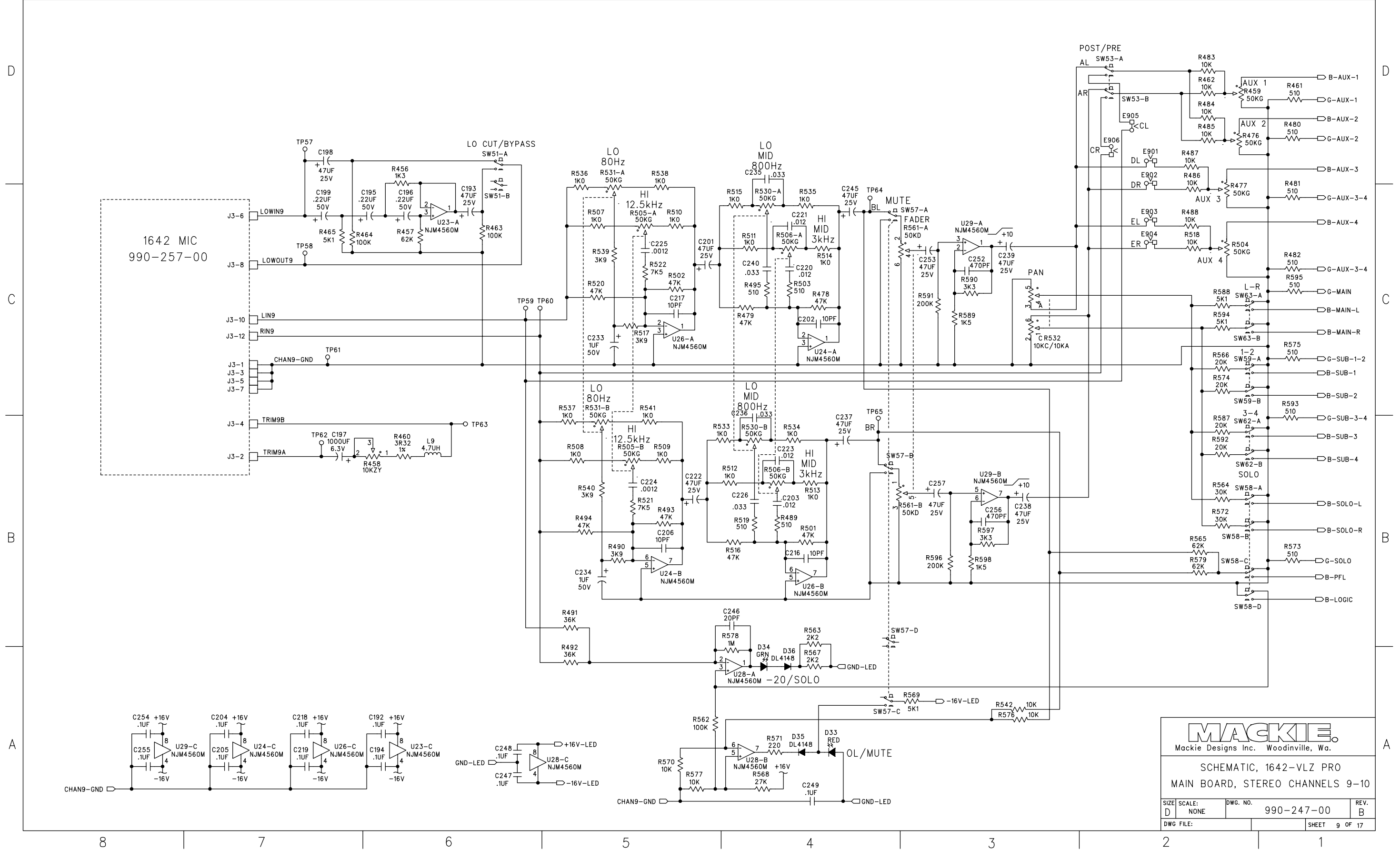
MACKIE
Mackie Designs Inc. Woodinville, Wa.

SCHEMATIC, 1642-VLZ PRO
MAIN BOARD, MONO CHANNEL 7

SIZE	SCALE:	DWG. NO.	REV.
D	NONE	990-247-00	B
DWG FILE:		SHEET	7 OF 17



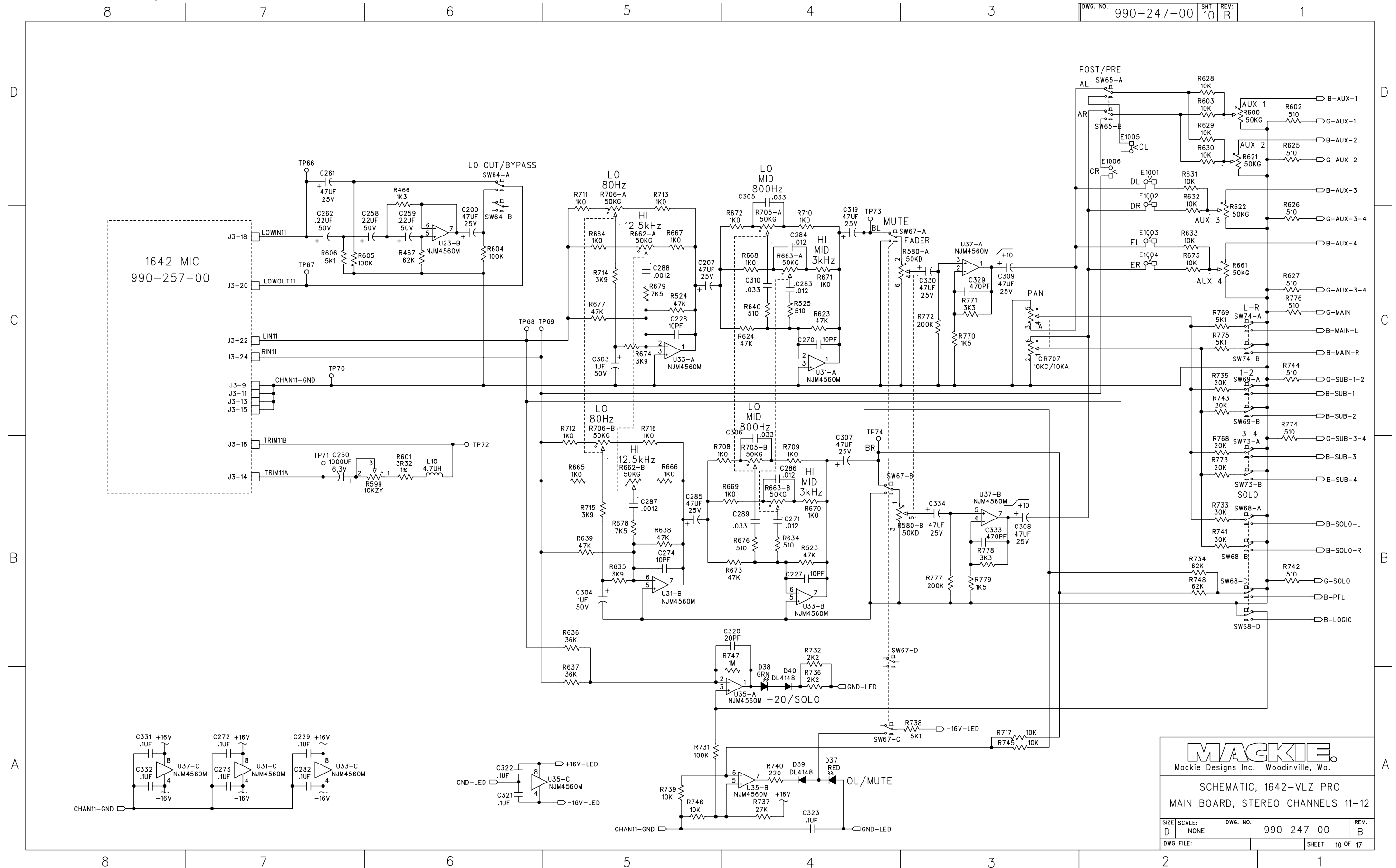
UNLESS OTHERWISE SPECIFIED DIMENSIONS ARE IN INCHES TOLERANCES ARE: FRACTIONS: DECIMALS: ANGLES: ±NA .XX ±.01 ±MA .XXX ±.005	APPROVALS	DATE	<p>Mackie Designs Inc. Woodinville, Wa.</p> <p>SCHEMATIC, 1642-VLZ PRO MAIN BOARD, MONO CHANNEL 8</p>
	DRAWN:		
	CHECKED:		
	NP ENG:		
MATERIAL:	MATERIAL:		SIZE: D SCALE: NONE DWG. NO. 990-247-00 REV. B DWG FILE: SHEET 8 OF 17
SEE NOTES	MFG:		
FINISH:	MFG ENG:		
DO NOT SCALE DRAWING	ISSUED:		



MACKIE
Mackie Designs Inc. Woodinville, Wa.

SCHMATIC, 1642-VLZ PRO
MAIN BOARD, STEREO CHANNELS 9-10

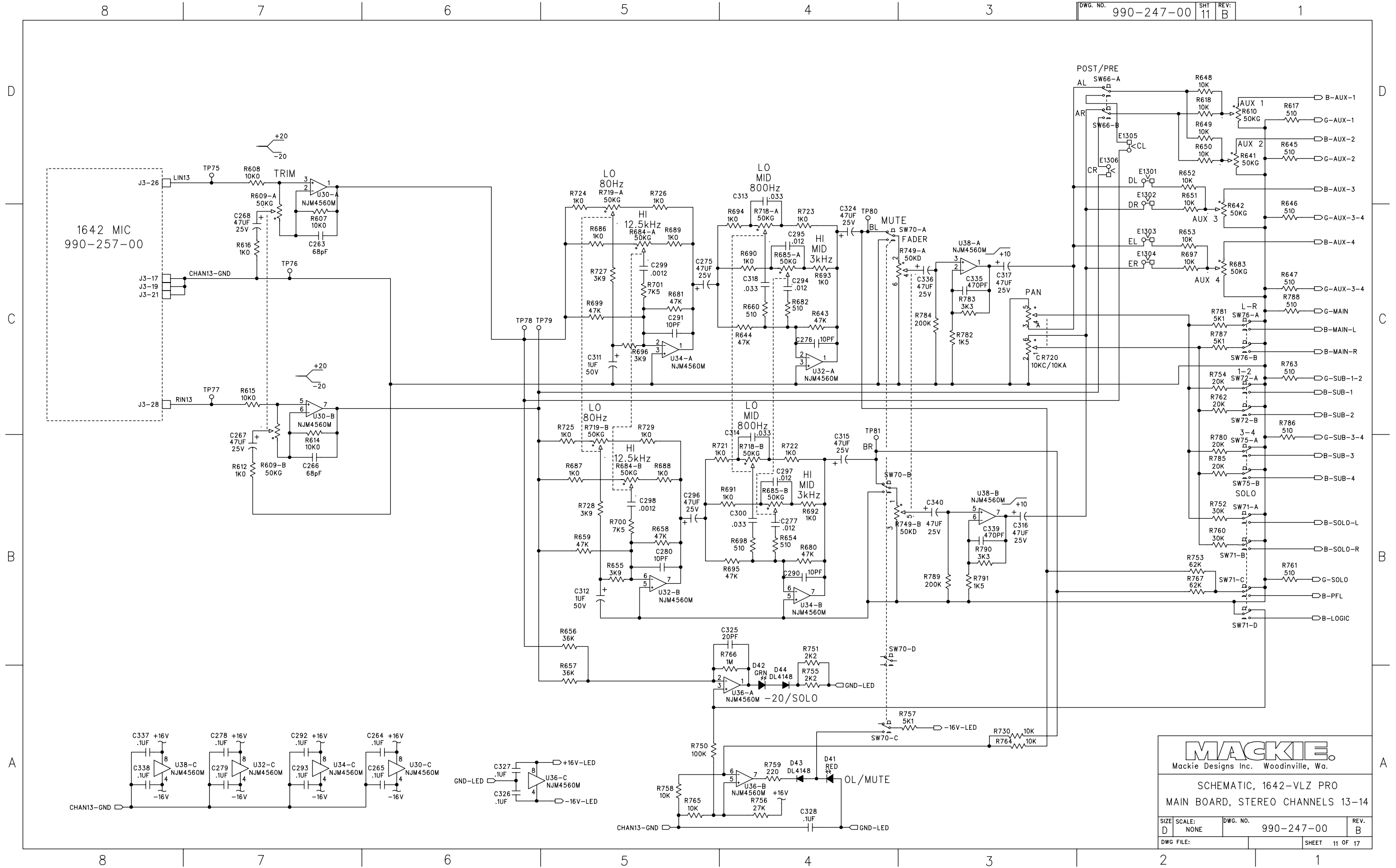
SIZE	SCALE:	DWG. NO.	REV.
D	NONE	990-247-00	B
DWG FILE:	SHEET 9 OF 17		



MACKIE
Mackie Designs Inc. Woodinville, Wa.

SCHMATIC, 1642-VLZ PRO
MAIN BOARD, STEREO CHANNELS 11-12

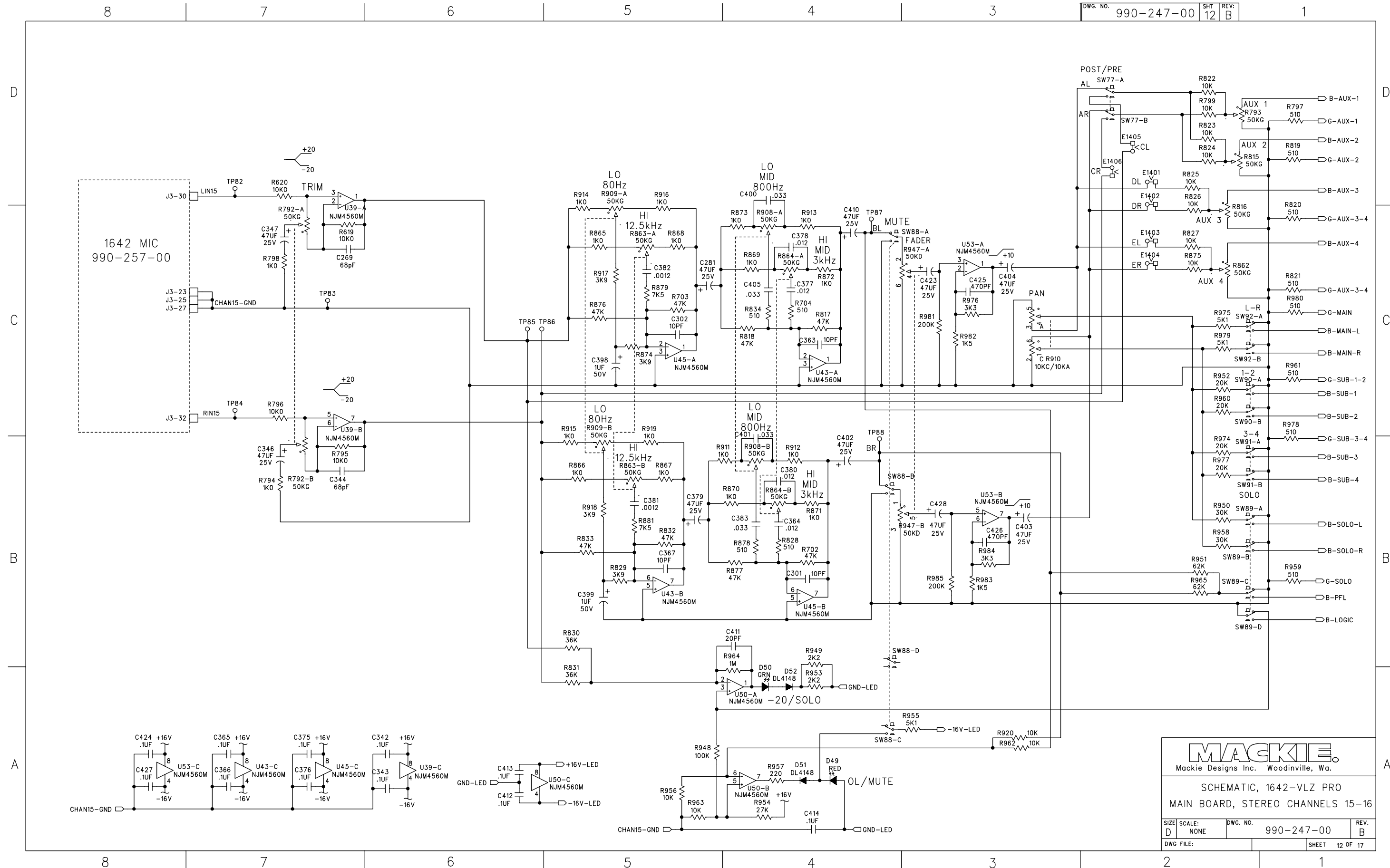
SIZE: D	SCALE: NONE	DWG. NO. 990-247-00	REV. B
DWG FILE:		SHEET 10 OF 17	



MACKIE
Mackie Designs Inc. Woodinville, Wa.

SCHMATIC, 1642-VLZ PRO
MAIN BOARD, STEREO CHANNELS 13-14

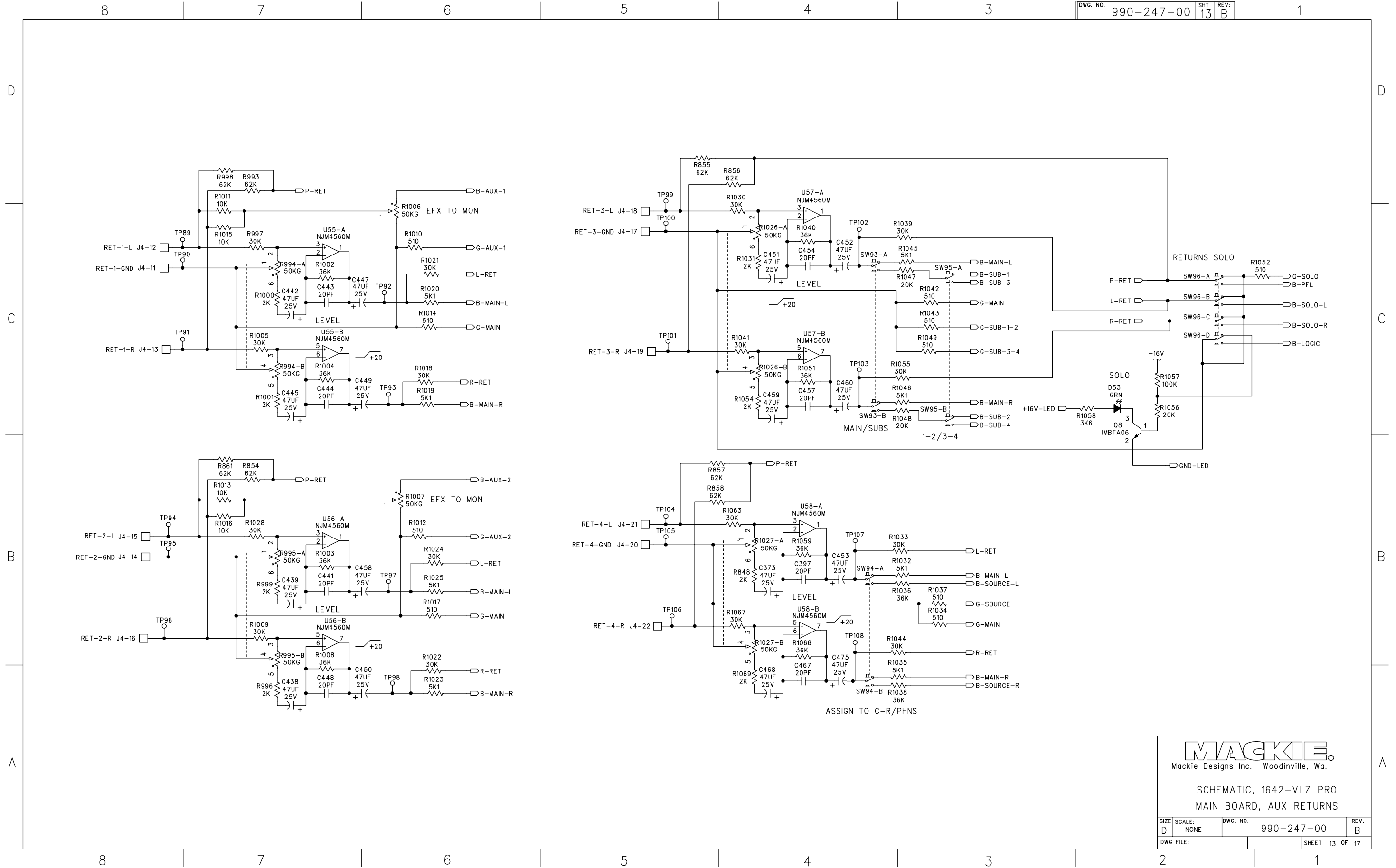
SIZE: D	SCALE: NONE	DWG. NO. 990-247-00	REV. B
DWG. FILE:		SHEET 11 OF 17	



MACKIE
Mackie Designs Inc. Woodinville, Wa.

SCHMATIC, 1642-VLZ PRO
MAIN BOARD, STEREO CHANNELS 15-16

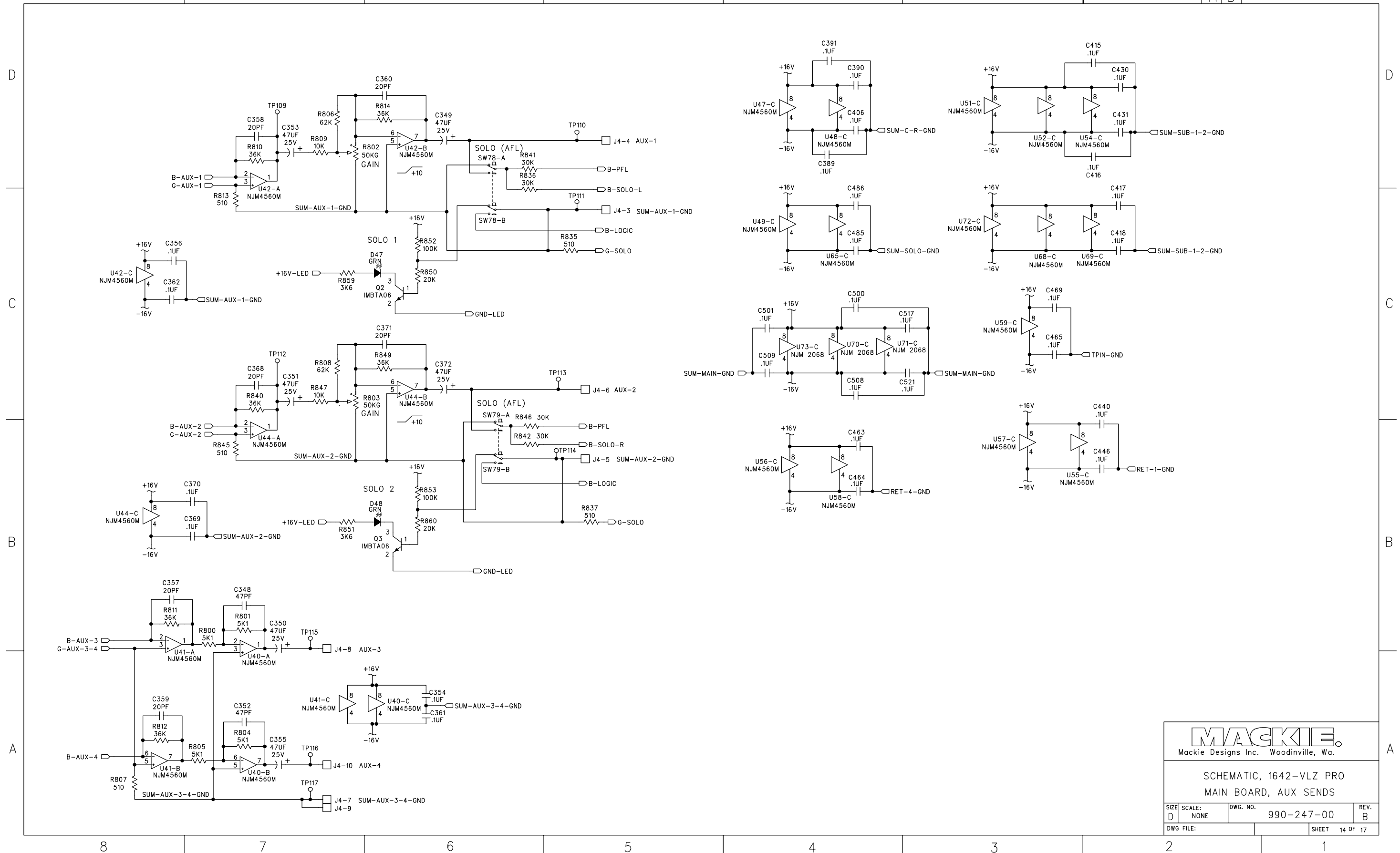
SIZE: D	SCALE: NONE	DWG. NO.: 990-247-00	REV. B
DWG FILE:		SHEET 12 OF 17	



MACKIE
Mackie Designs Inc. Woodinville, Wa.

SCHEMATIC, 1642-VLZ PRO
MAIN BOARD, AUX RETURNS

SIZE D	SCALE: NONE	DWG. NO. 990-247-00	REV. B
DWG FILE:		SHEET 13 OF 17	

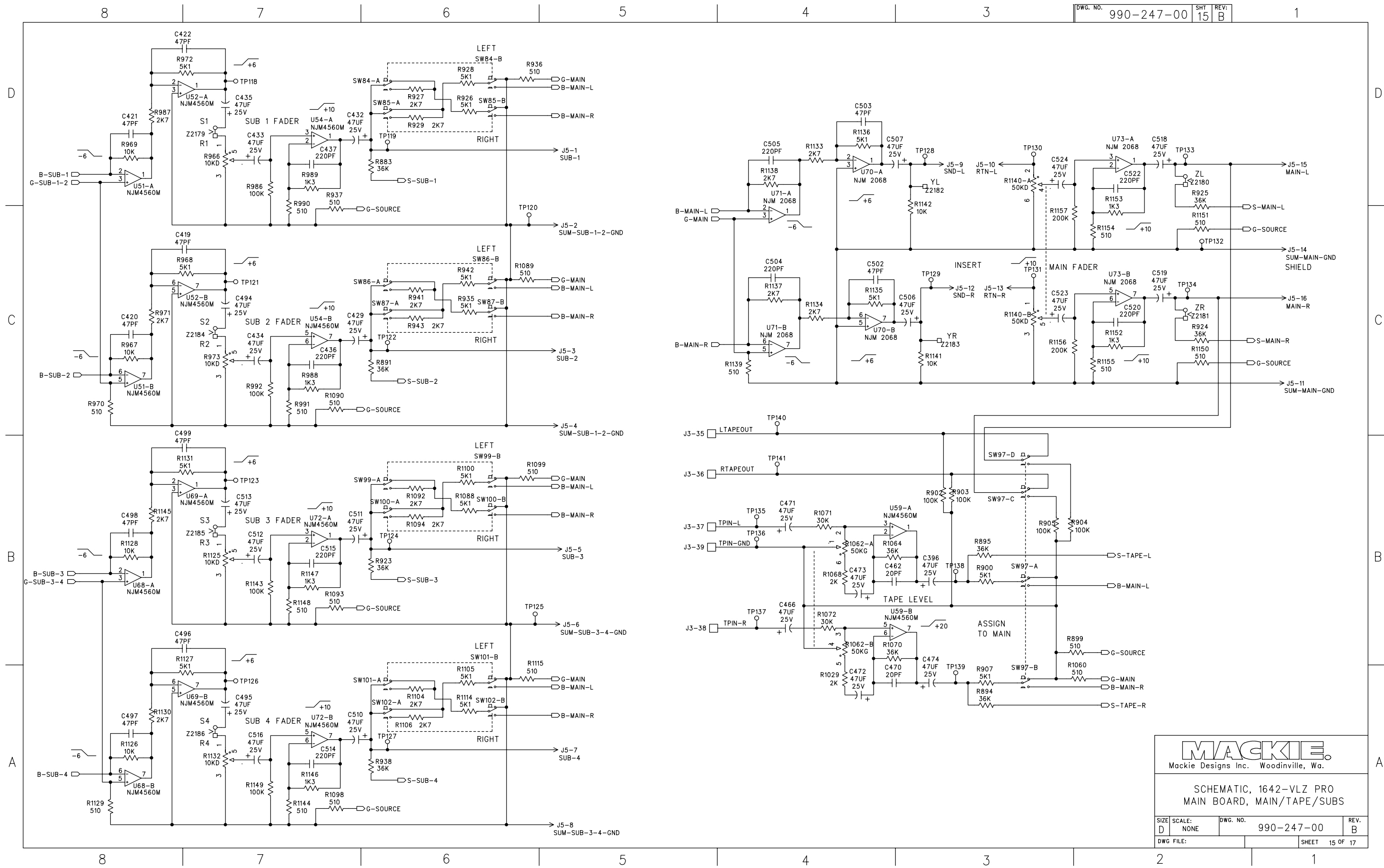


247-14 MAIN BOARD 247 REV B

MACKIE
Mackie Designs Inc. Woodinville, Wa.

SCHEMATIC, 1642-VLZ PRO
MAIN BOARD, AUX SENDS

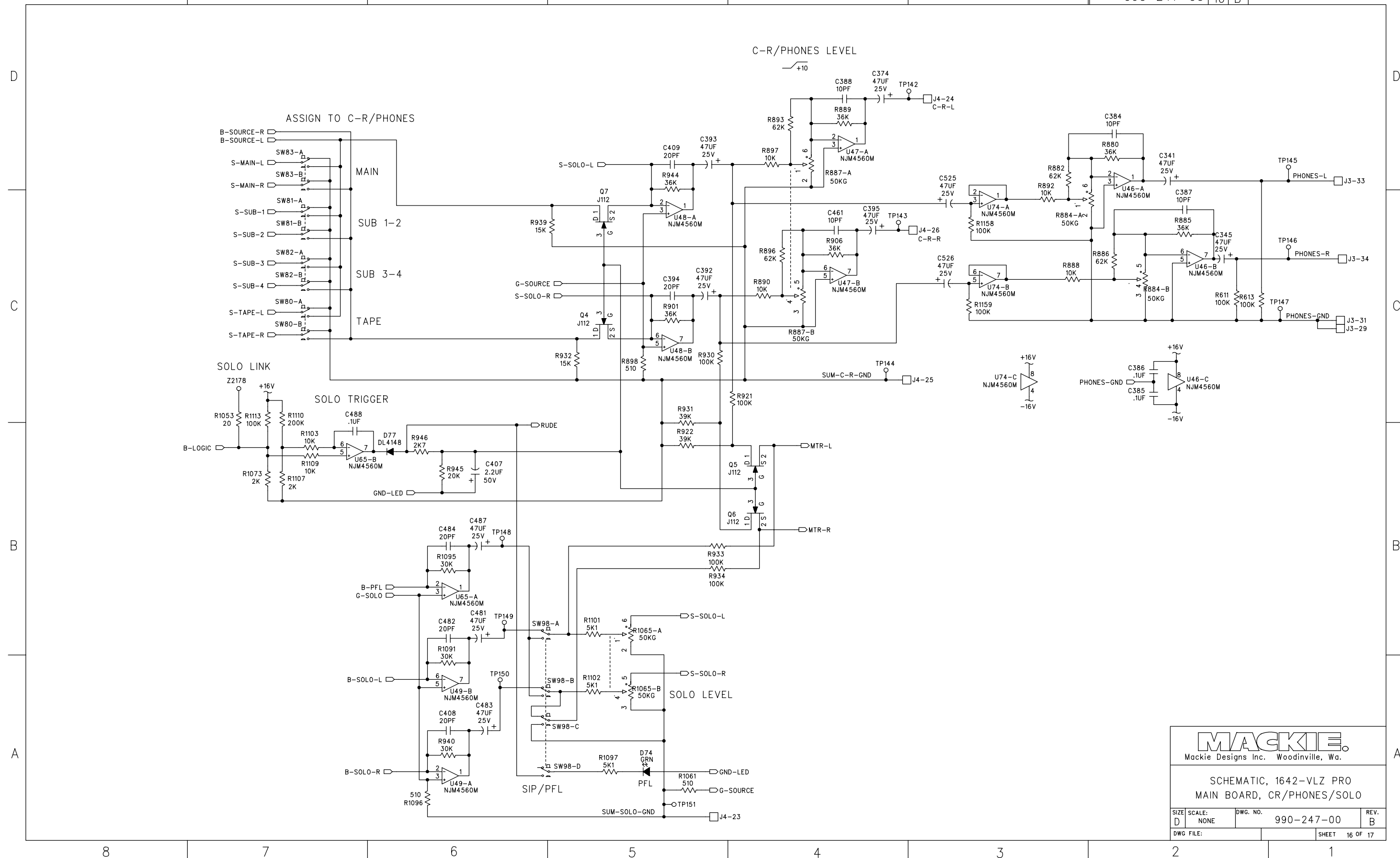
SIZE: D	SCALE: NONE	DWG. NO. 990-247-00	REV. B
DWG FILE:		SHEET 14 OF 17	



MACKIE
Mackie Designs Inc. Woodinville, Wa.

SCHMATIC, 1642-VLZ PRO
MAIN BOARD, MAIN/TAPE/SUBS

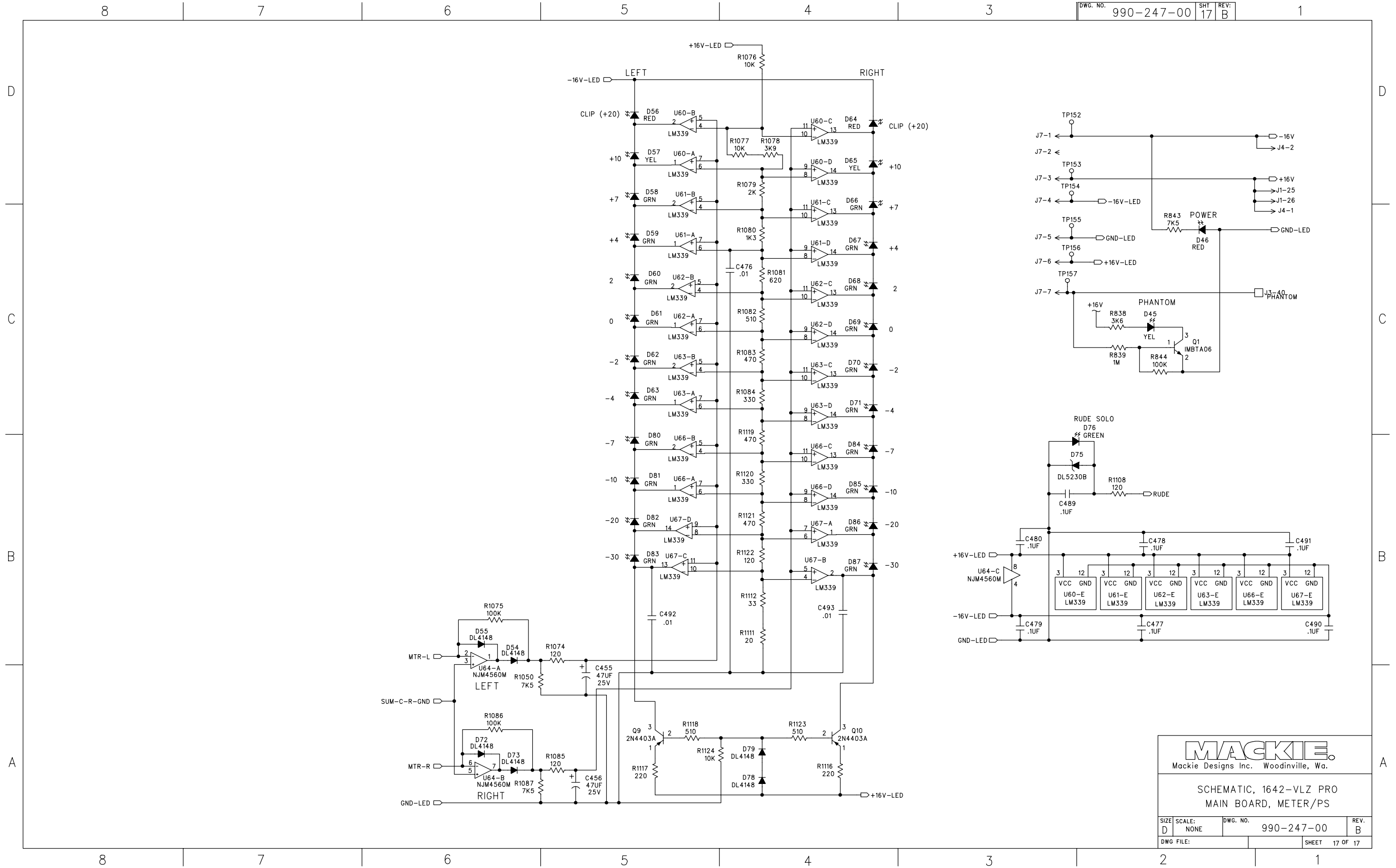
SIZE: D	SCALE: NONE	DWG. NO. 990-247-00	REV. B
DWG FILE:		SHEET 15 OF 17	



MACKIE.
Mackie Designs Inc. Woodinville, Wa.

SCHEMATIC, 1642-VLZ PRO
MAIN BOARD, CR/PHONES/SOLO

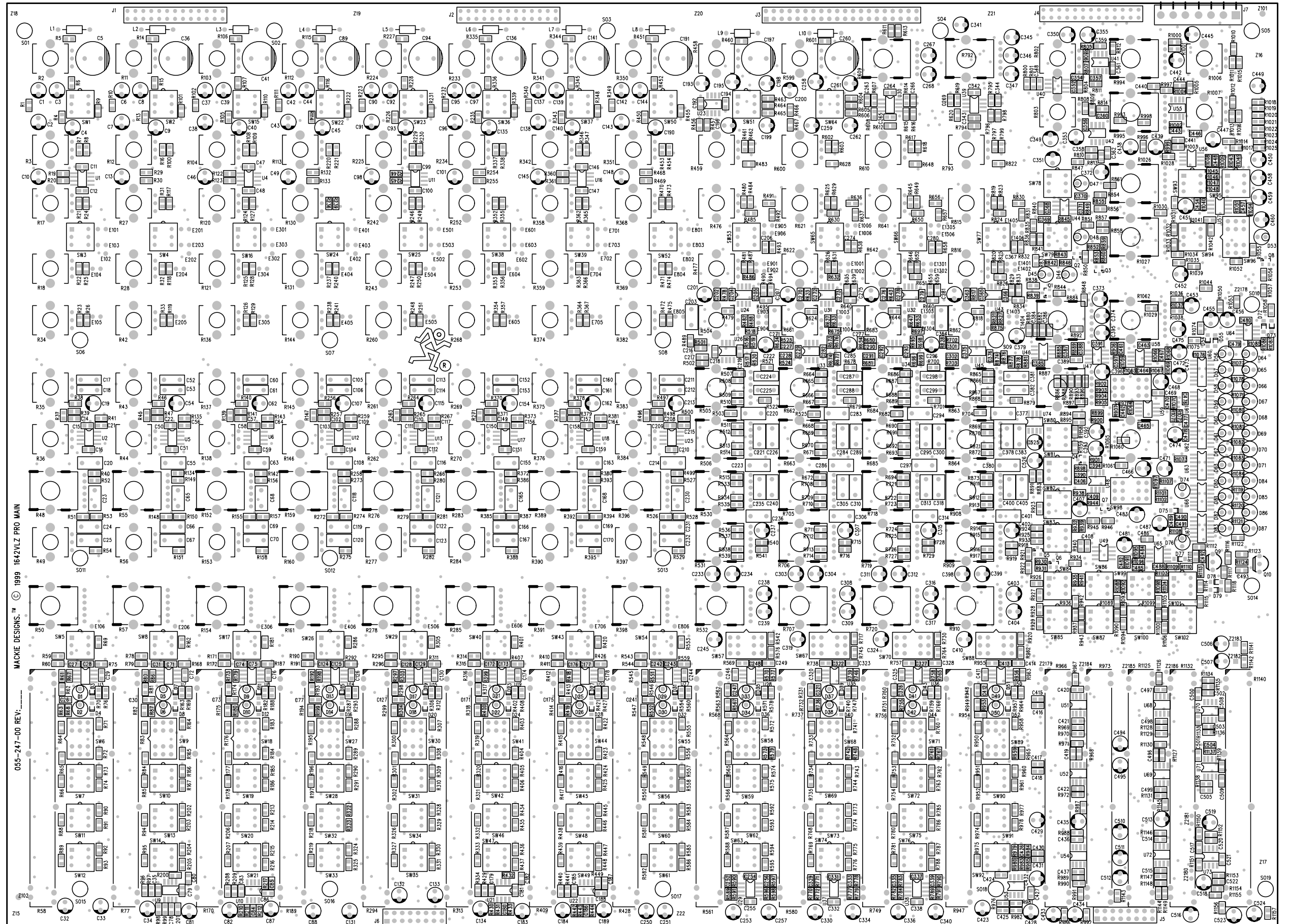
SIZE: D	SCALE: NONE	DWG. NO. 990-247-00	REV. B
DWG FILE:		SHEET 16 OF 17	



MACKIE
Mackie Designs Inc. Woodinville, Wa.

SCHMATIC, 1642-VLZ PRO
MAIN BOARD, METER/PS

SIZE: D	SCALE: NONE	DWG. NO. 990-247-00	REV. B
DWG FILE:		SHEET 17 OF 17	



055-247-00 REV. 1
MACKIE DESIGNS, INC. © 1999 1642VLZ PRO MAIN