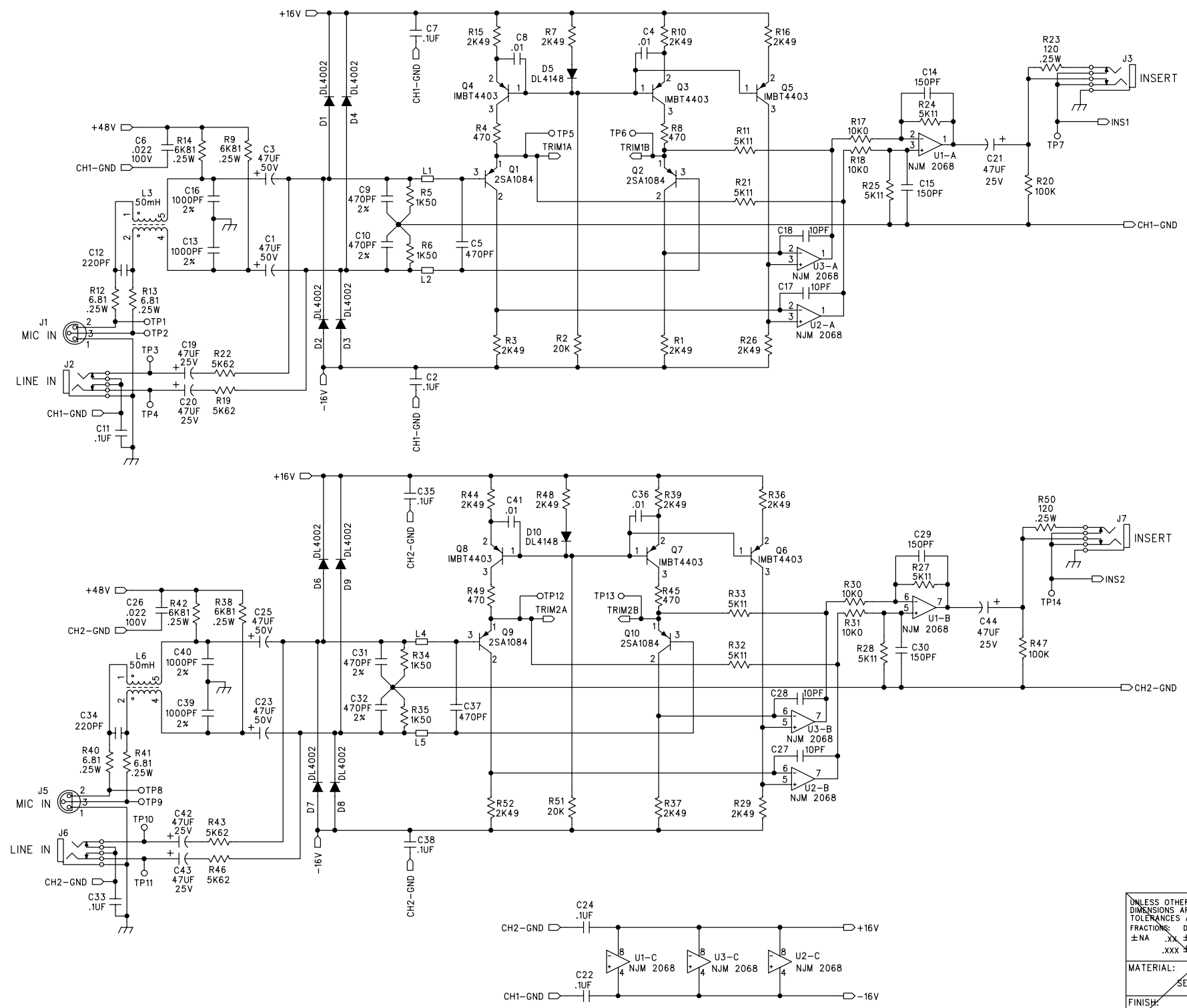
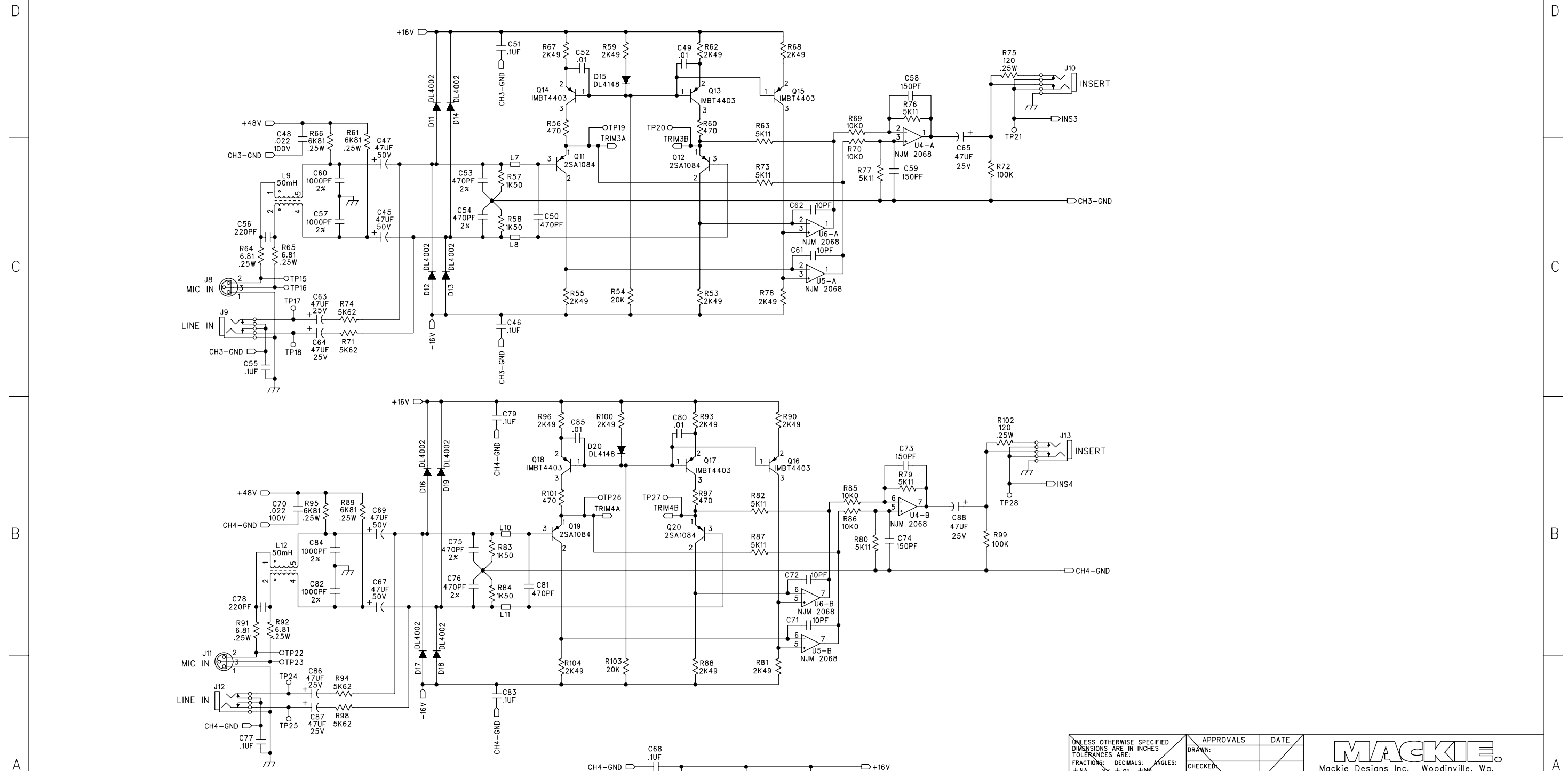


DWG. NO.	990-257-00	SHT	1	REV	A
REV.	ECO#	DESCRIPTION	REV. BY:	APP. BY:	DATE



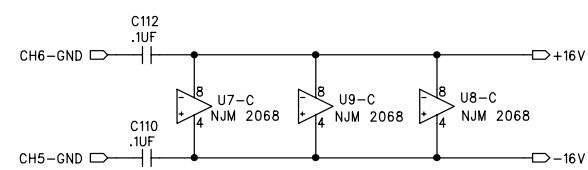
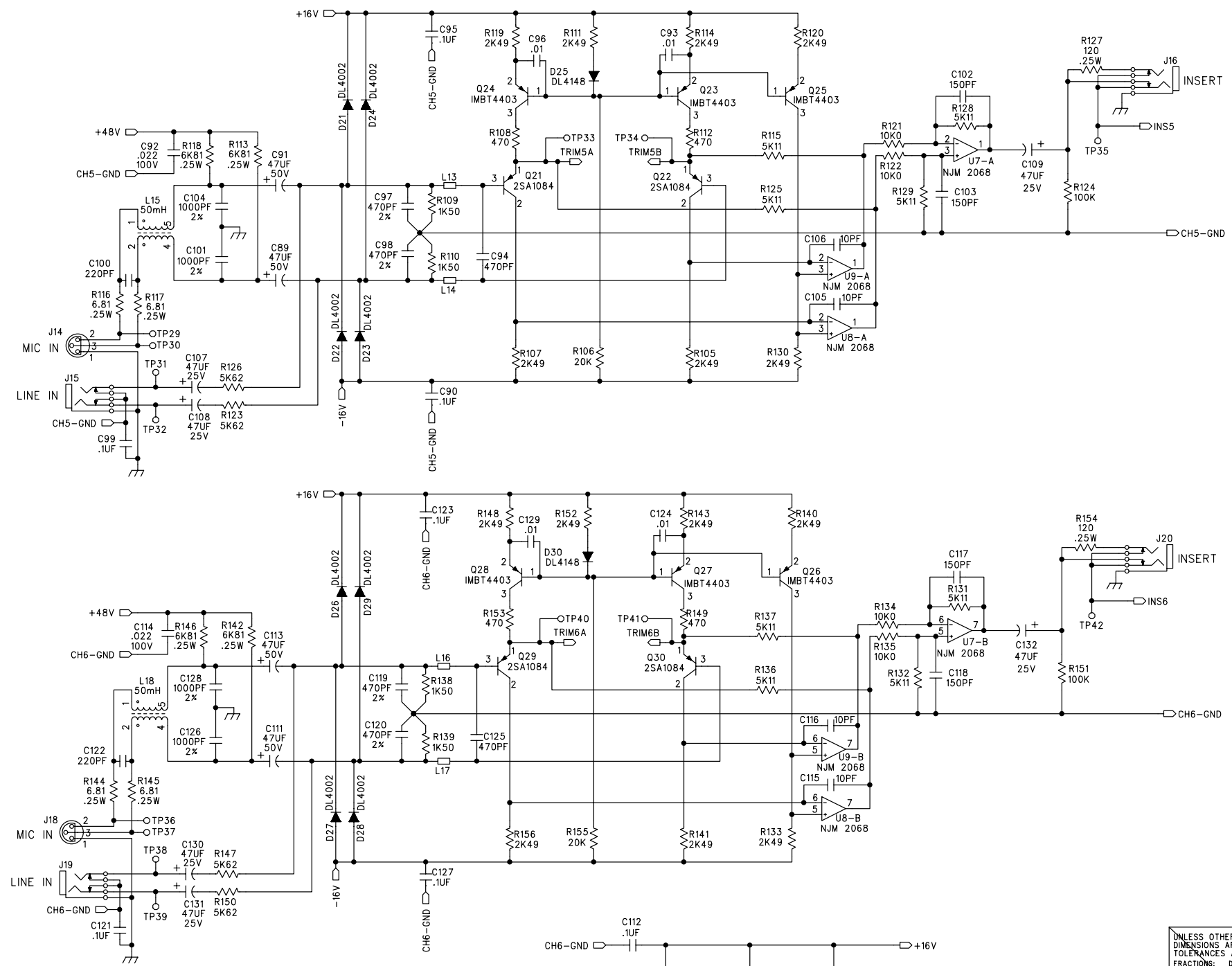
UNLESS OTHERWISE SPECIFIED DIMENSIONS ARE IN INCHES TOLERANCES ARE: FRACTIONS: DECIMALS: ANGLES: ±.NA .XX ±.01 ±.NA .XXX ±.005	APPROVALS	DATE	 Mackie Designs Inc. Woodinville, Wa.
	DRAWN: KR	2-17-99	
	CHECKED:		
	NP ENG:		
MATERIAL:	MATERIAL:		SCHEMATIC, 1642VLZ PRO MIC INPUT, CH 1/2
FINISH:	MFG:		
SEE NOTES	MFG ENG:		
DO NOT SCALE DRAWING	ISSUED:		SIZE SCALE: DWG. NO. 990-257-00 REV. A DWG FILE: SHEET 1 OF 6



UNLESS OTHERWISE SPECIFIED DIMENSIONS ARE IN INCHES FRACTIONS: DECIMALS: ANGLES: ±NA .XX ±.01 ±NA .XXX ±.005	APPROVALS	DATE	<p>Mackie Designs Inc. Woodinville, Wa.</p> <p>SCHEMATIC, 1642VLZ PRO MIC INPUT, CH 3/4</p>
	DRAWN:		
	CHECKED:		
	NP ENG:		
MATERIAL:	MATERIAL:		SIZE: D
SEE NOTES	MFG:		SCALE: NONE
SEE NOTES	MFG ENG:		DWG. NO. 990-257-00
DO NOT SCALE DRAWING	ISSUED:		REV. A
			DWG FILE:
			SHEET 2 OF 6

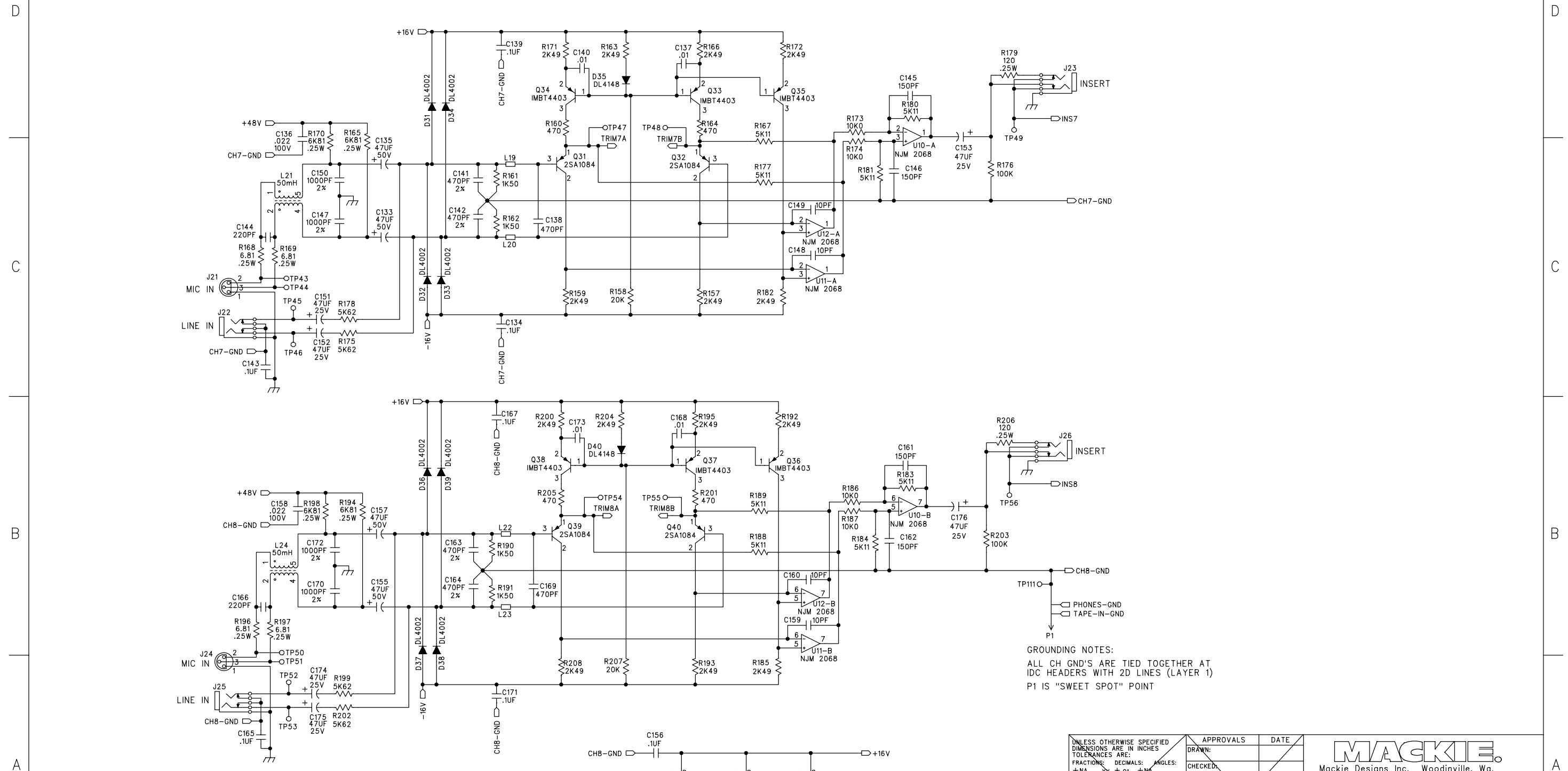
257-2 MIC INPUT BOARD 257 REV A

DWG. NO.	990-257-00	SHT	REV	1	
		3	A		
REV:	ECO#	DESCRIPTION	REV. BY:	APP. BY:	DATE



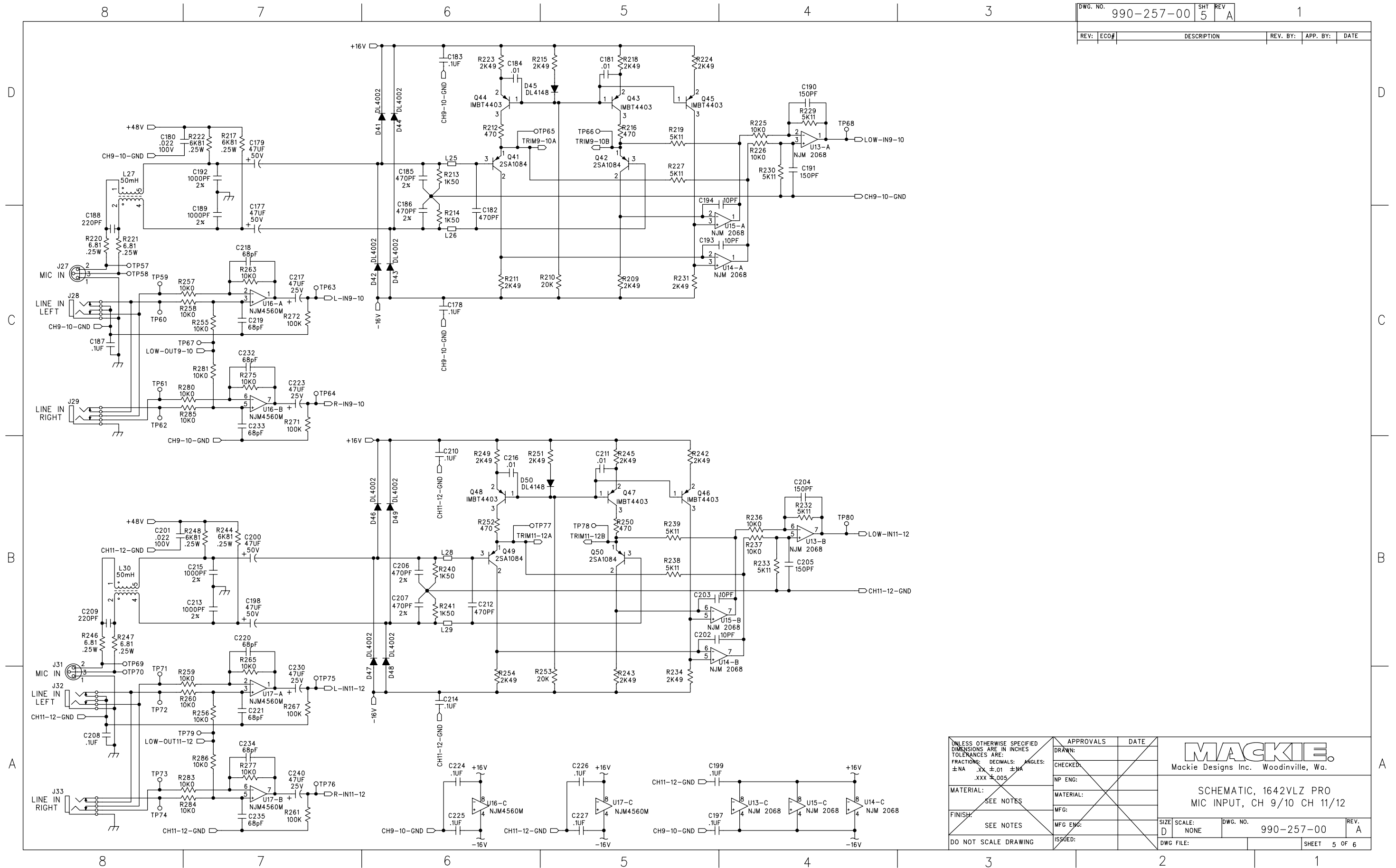
UNLESS OTHERWISE SPECIFIED DIMENSIONS ARE IN INCHES TOLERANCES ARE: FRACTIONS: DECIMALS: ANGLES: ±.NA .XX ±.01 ±NA .XXX ±.005	APPROVALS	DATE
	DRAWN:	
	CHECKED:	
	NP ENG:	
MATERIAL:	MATERIAL:	
FINISH:	MFG:	
DO NOT SCALE DRAWING	MFG ENG:	
	ISSUED:	

<b>MACKIE</b> Mackie Designs Inc. Woodinville, Wa.	
SCHEMATIC, 1642VLZ PRO MIC INPUT, CH 5/6	
SIZE: D	SCALE: NONE
DWG. NO. 990-257-00	REV. A
DWG FILE:	SHEET 3 OF 6



GROUNDING NOTES:  
 ALL CH GND'S ARE TIED TOGETHER AT  
 IDC HEADERS WITH 2D LINES (LAYER 1)  
 P1 IS "SWEET SPOT" POINT

UNLESS OTHERWISE SPECIFIED DIMENSIONS ARE IN INCHES TOLERANCES ARE: FRACTIONS: DECIMALS: ANGLES: ±.NA .XX ±.01 ±NA .XXX ±.005	APPROVALS	DATE	 Mackie Designs Inc. Woodinville, Wa.
	DRAWN:		
	CHECKED:		
	NP ENG:		
MATERIAL:	MATERIAL:		SCHEMATIC, 1642VLZ PRO MIC INPUT, CH 7/8
SEE NOTES	MFG:		
SEE NOTES	MFG ENG:		
DO NOT SCALE DRAWING	ISSUED:		
	SIZE: D	SCALE: NONE	DWG. NO. 990-257-00
			REV. A
	DWG FILE:		SHEET 4 OF 6

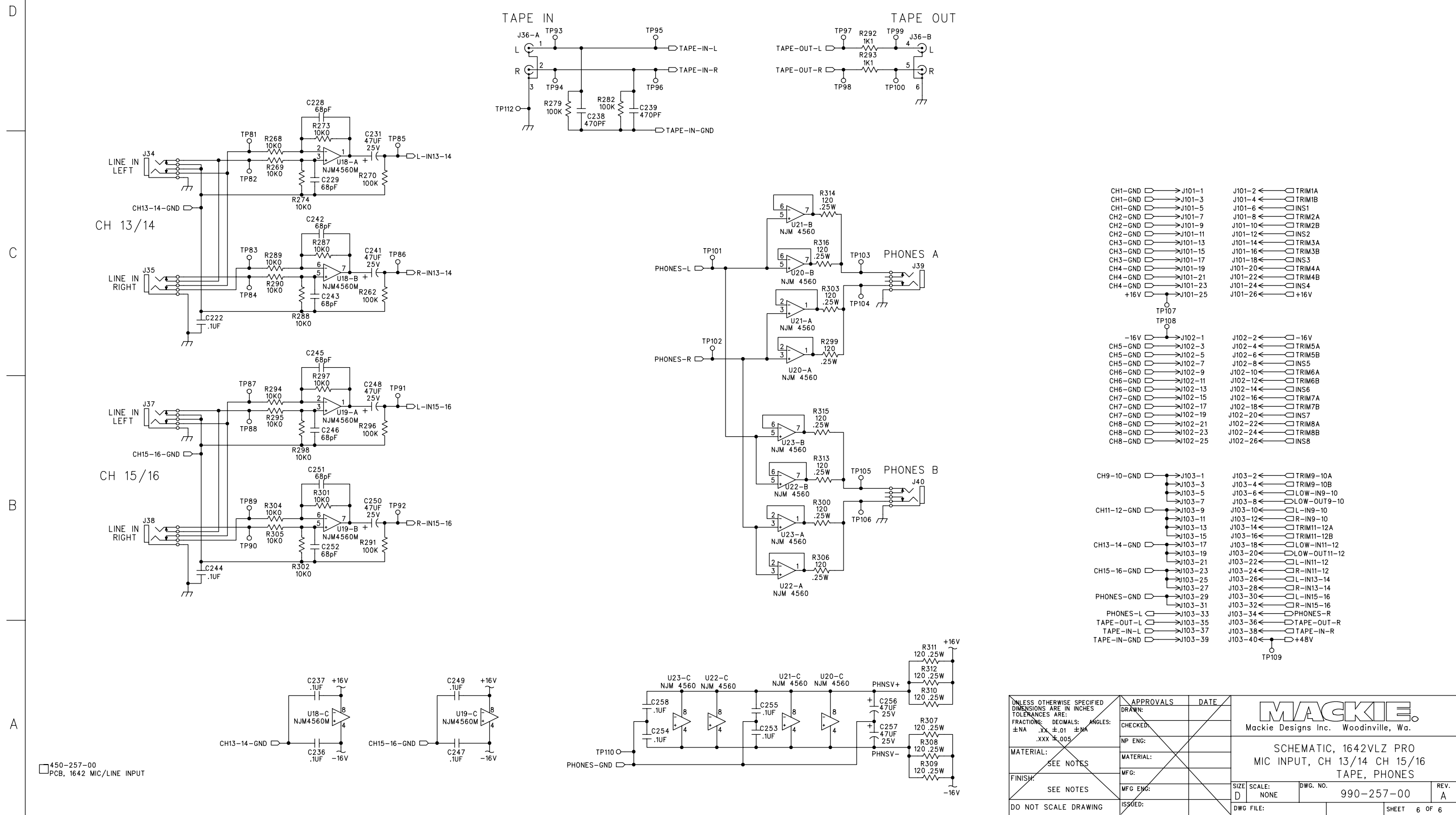


UNLESS OTHERWISE SPECIFIED DIMENSIONS ARE IN INCHES TOLERANCES ARE: FRACTIONS: .XX ±.01 DECIMALS: .XXX ±.005 ANGLES: MATERIAL: FINISH: DO NOT SCALE DRAWING	APPROVALS	DATE
	DRAWN:	
	CHECKED:	
	NP ENG:	

**MACKIE**  
Mackie Designs Inc. Woodinville, Wa.

SCHMATIC, 1642VLZ PRO  
MIC INPUT, CH 9/10 CH 11/12

SIZE	SCALE:	DWG. NO.	REV.
D	NONE	990-257-00	A
DWG FILE:		SHEET 5 OF 6	



UNLESS OTHERWISE SPECIFIED DIMENSIONS ARE IN INCHES TOLERANCES ARE: FRACTIONS: DECIMALS: ANGLES: ±NA .XX ±.01 ±NA .XXX ±.005	APPROVALS	DATE	<p>Mackie Designs Inc. Woodinville, Wa.</p> <p>SCHMATIC, 1642VLZ PRO MIC INPUT, CH 13/14 CH 15/16 TAPE, PHONES</p>			
	CHECKED:					
	NP ENG:					
	MATERIAL:					
SEE NOTES	MATERIAL:		SIZE: D	SCALE: NONE	DWG. NO. 990-257-00	REV. A
SEE NOTES	MFG:		DWG FILE:			SHEET 6 OF 6
DO NOT SCALE DRAWING	MFG ENG:					
	ISSUED:					

