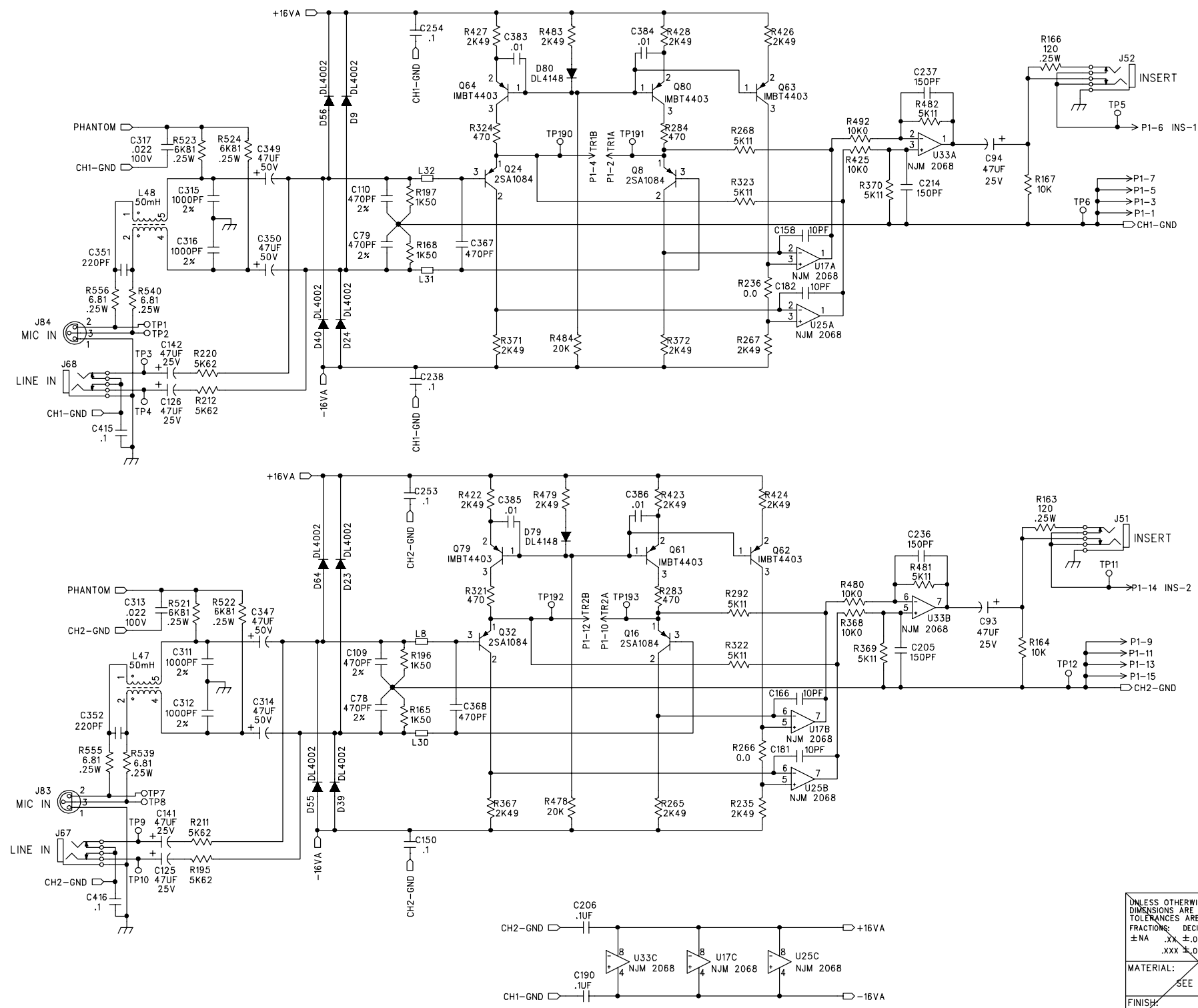
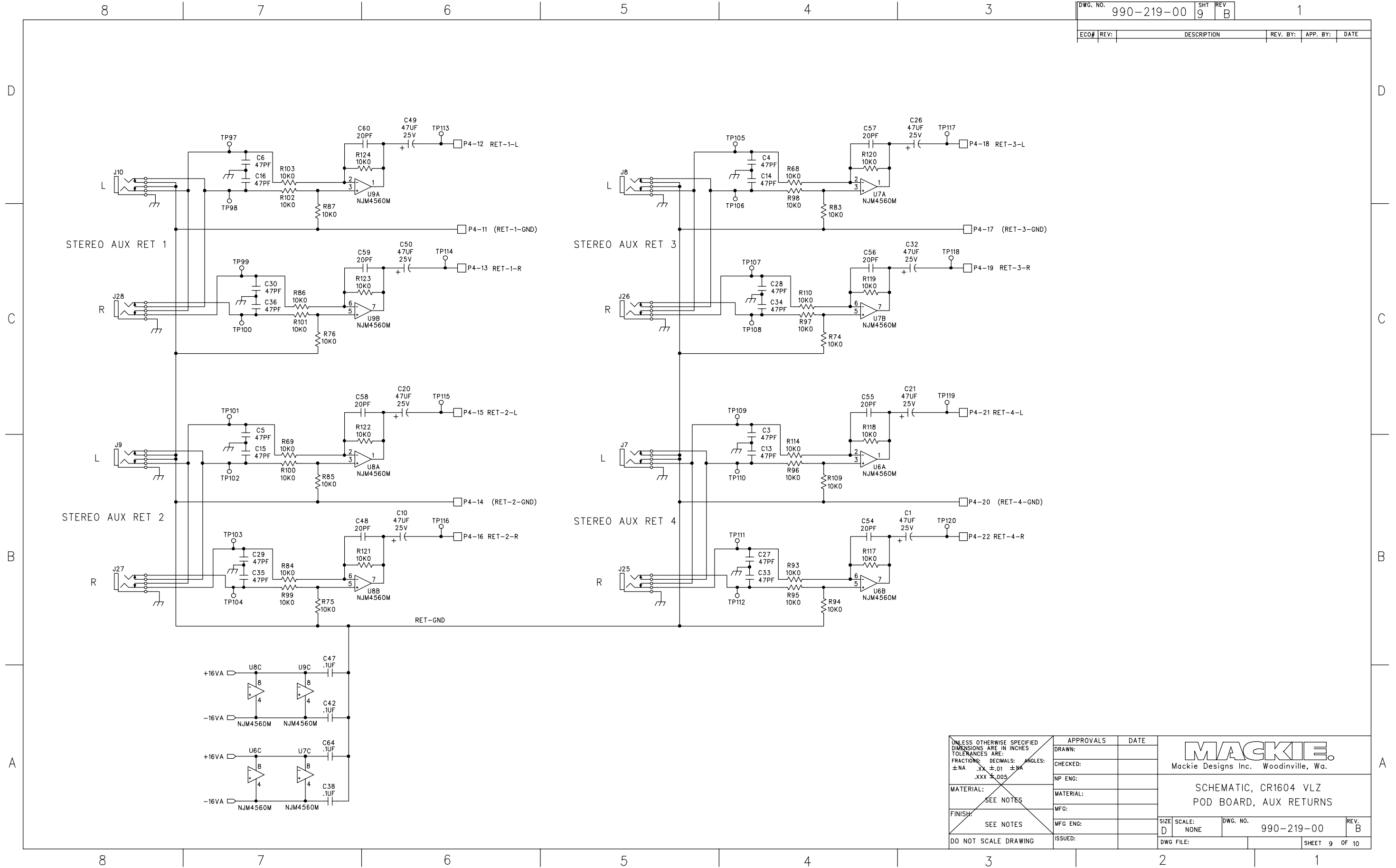


| | | | | | |
|----------|------------|---------------------|----------|----------|--------|
| DWG. NO. | 990-219-00 | SHT | 1 | REV | B |
| REV: | ECO# | DESCRIPTION | REV. BY: | APP. BY: | DATE |
| B | 2165 | ADD LABEL TO B.O.M. | KR | | 2-3-99 |
| | 2180 | MOVE CHOKES | | | |

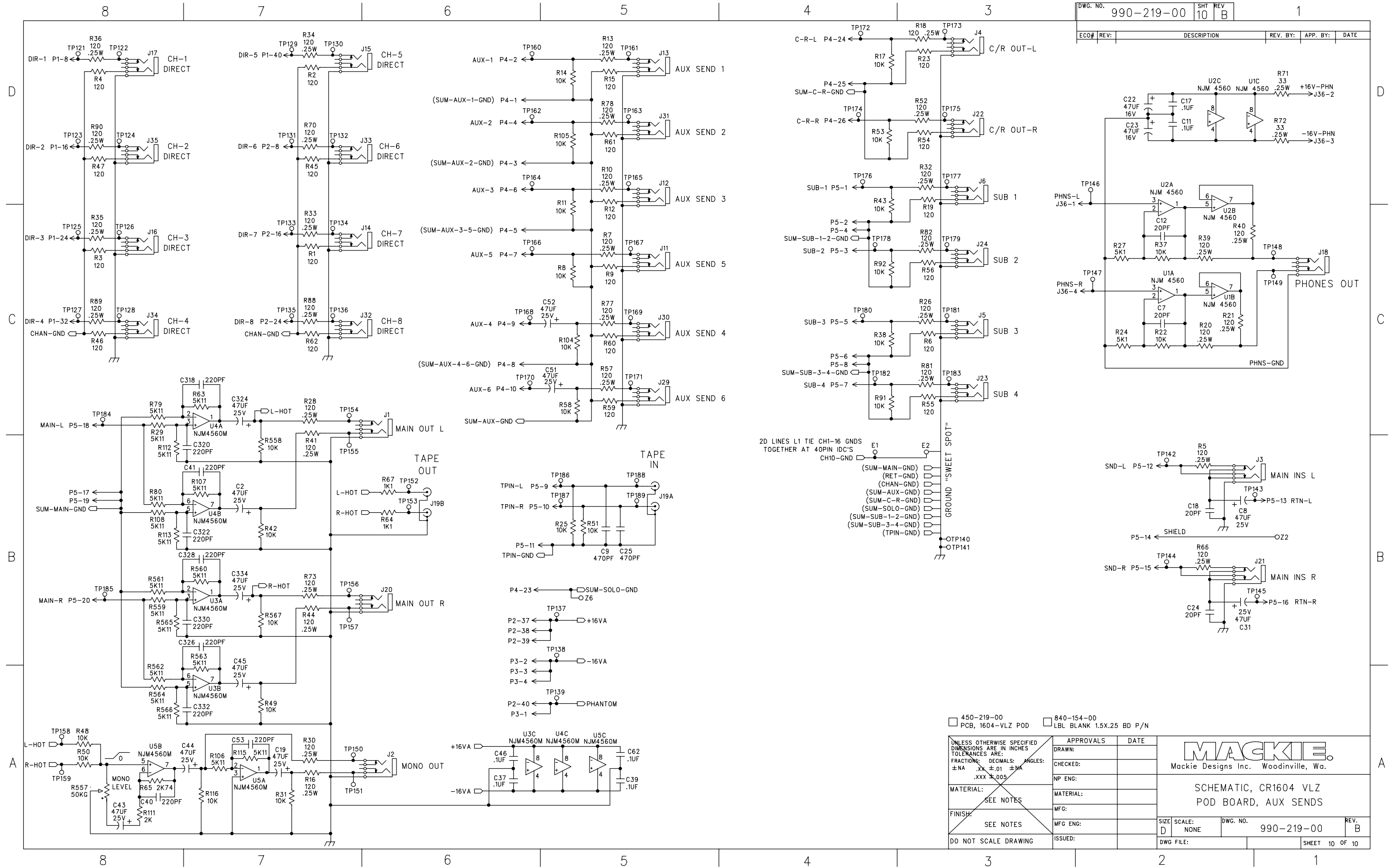


| | | | |
|---|---------------|---------|---|
| UNLESS OTHERWISE SPECIFIED DIMENSIONS ARE IN INCHES TOLERANCES ARE: FRACTIONS: DECIMALS: ANGLES: ±.NA .XX ±.01 ±.NA .XXX ±.005 | APPROVALS | DATE | Mackie Designs Inc. Woodinville, Wa. |
| | DRAWN: KR | 4-21-98 | |
| | CHECKED: | | |
| | NP ENG: CW | 12-2-98 | |
| MATERIAL: | MATERIAL: | | SCHEMATIC, CR1604 VLZ POD, CH 1/2 |
| FINISH: | MFG: | | |
| DO NOT SCALE DRAWING | MFG ENG: | | |
| | ISSUED: LEIGH | 12-3-98 | SIZE: D SCALE: NONE DWG. NO.: 990-219-00 REV.: B DWG FILE: SHEET 1 OF 10 |



| | | |
|--|-----------|------|
| UNLESS OTHERWISE SPECIFIED DIMENSIONS ARE IN INCHES TOLERANCES ARE: FRACTIONS: .XX ±.01 ±.01 DECIMALS: .XXX ±.005 ANGLES: MATERIAL: FINISH: DO NOT SCALE DRAWING | APPROVALS | DATE |
| | DRAWN: | |
| | CHECKED: | |
| | NP ENG: | |
| SEE NOTES | MATERIAL: | |
| SEE NOTES | MFG: | |
| | MFG ENG: | |
| | ISSUED: | |

| | | | |
|---|--------|---------------|------|
| MACKIE Mackie Designs Inc. Woodinville, Wa. | | | |
| SCHEMATIC, CR1604 VLZ POD BOARD, AUX RETURNS | | | |
| SIZE | SCALE: | DWG. NO. | REV. |
| D | NONE | 990-219-00 | B |
| DWG FILE: | | SHEET 9 OF 10 | |

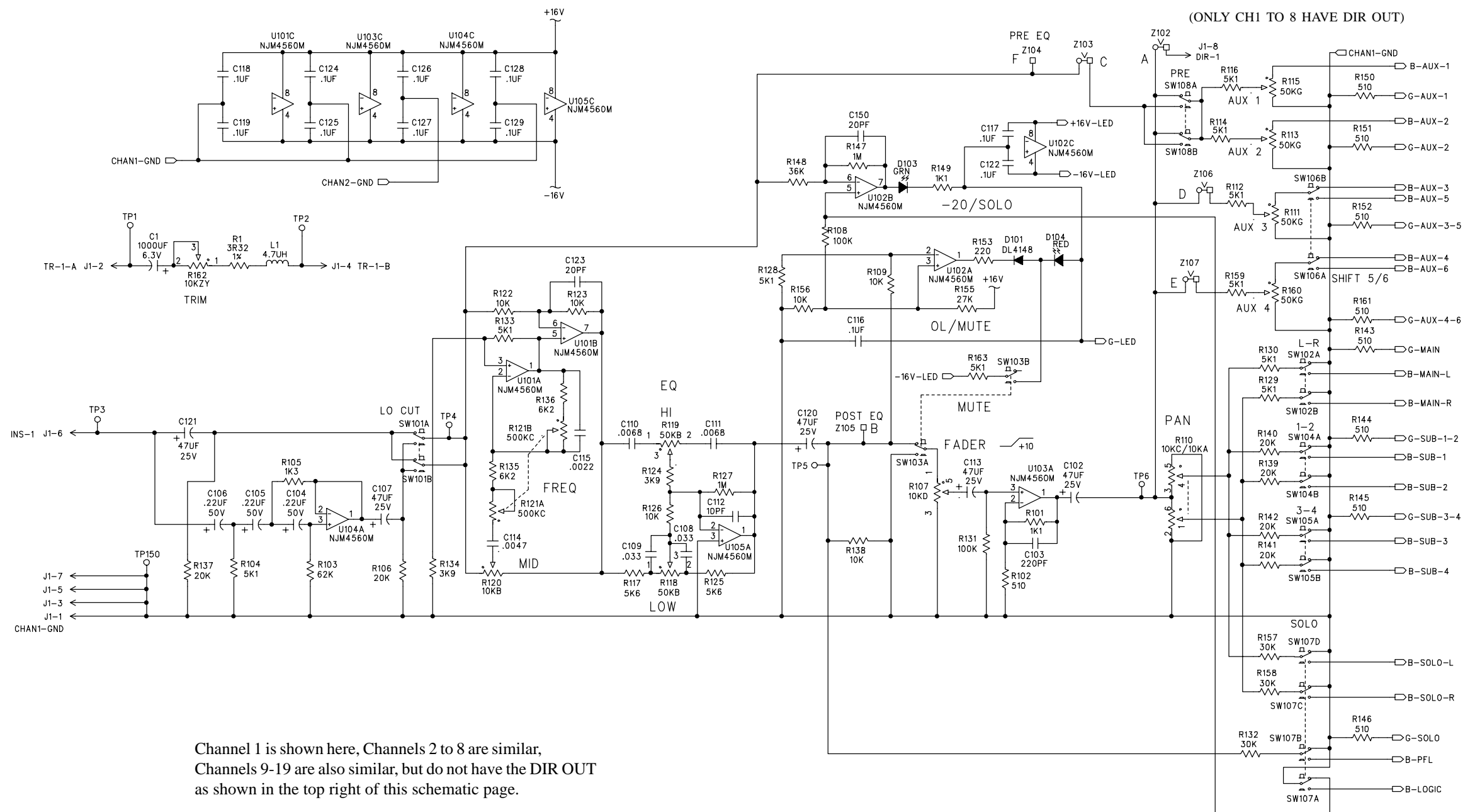


| ECO# | REV | DESCRIPTION | REV. BY | APP. BY | DATE |
|------|-----|-------------|---------|---------|------|
| | | | | | |

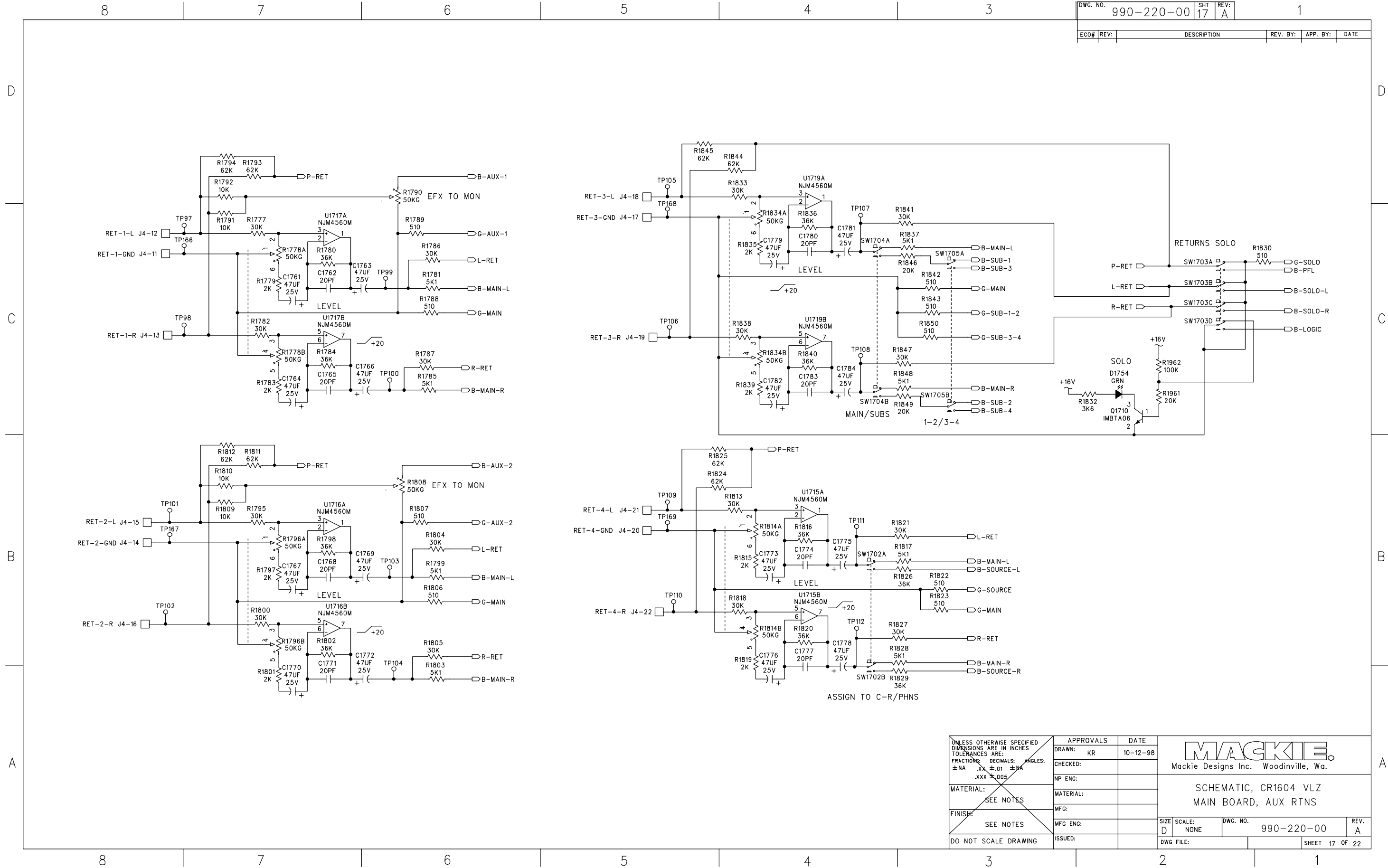
| | | |
|---|-----------|------|
| UNLESS OTHERWISE SPECIFIED DIMENSIONS ARE IN INCHES TOLERANCES ARE: | APPROVALS | DATE |
| FRACTIONS: DECIMALS: ANGLES: | DRAWN: | |
| ±NA .XX ±.01 ±MA .XXX ±.005 | CHECKED: | |
| MATERIAL: | NP ENG: | |
| SEE NOTES | MATERIAL: | |
| FINISH: | MFG: | |
| SEE NOTES | MFG ENG: | |
| DO NOT SCALE DRAWING | ISSUED: | |

| | |
|---|-------------------------------------|
| 450-219-00 PCB, 1604-VLZ POD | 840-154-00 LBL BLANK 1.5X.25 BD P/N |
| MACKIE Mackie Designs Inc. Woodinville, Wa. | |
| SCHEMATIC, CR1604 VLZ POD BOARD, AUX SENDS | |
| SIZE: D | SCALE: NONE |
| DWG. NO. 990-219-00 | REV. B |
| DWG FILE: | SHEET 10 OF 10 |

219-3 POD BOARD 219 REV B



| | | | |
|---|-----------|----------|---|
| UNLESS OTHERWISE SPECIFIED DIMENSIONS ARE IN INCHES TOLERANCES ARE: FRACTIONS: DECIMALS: ANGLES: ±NA .XX ±.01 ±NA .XXX ±.005 | APPROVALS | DATE | <p>Mackie Designs Inc. Woodinville, Wa.</p> <p>SCHMATIC, CR1604 VLZ MAIN BOARD, CHANNEL 1</p> |
| | DRAWN: KR | 10-12-98 | |
| | CHECKED: | | |
| | NP ENG: | | |
| MATERIAL: | MATERIAL: | | SIZE: D SCALE: NONE DWG. NO. 990-220-00 REV. A DWG FILE: SHEET 1 OF 22 |
| FINISH: SEE NOTES | MFG: | | |
| DO NOT SCALE DRAWING | MFG ENG: | | |
| | ISSUED: | | |

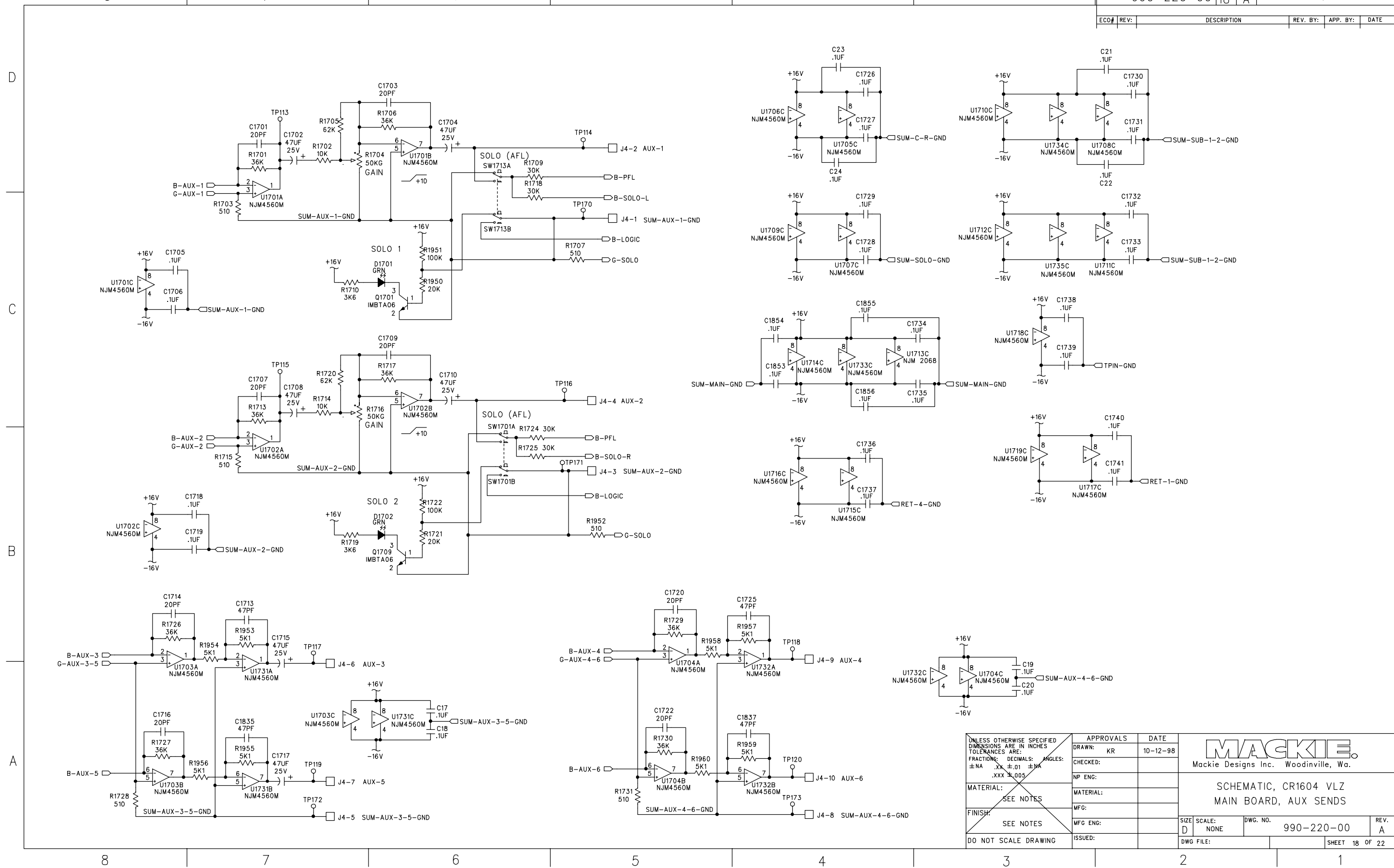


| | | |
|---|-----------|----------|
| UNLESS OTHERWISE SPECIFIED DIMENSIONS ARE IN INCHES TOLERANCES ARE: FRACTIONS: .XX ±.01 ±.005 DECIMALS: .XXX ±.005 ANGLES: ±NA ±.01 ±NA .XXX ±.005 | APPROVALS | DATE |
| | DRAWN: KR | 10-12-98 |
| | CHECKED: | |
| | NP ENG: | |
| MATERIAL: | MATERIAL: | |
| FINISH: | MFG: | |
| SEE NOTES | MFG ENG: | |
| DO NOT SCALE DRAWING | ISSUED: | |

MACKIE
Mackie Designs Inc. Woodinville, Wa.

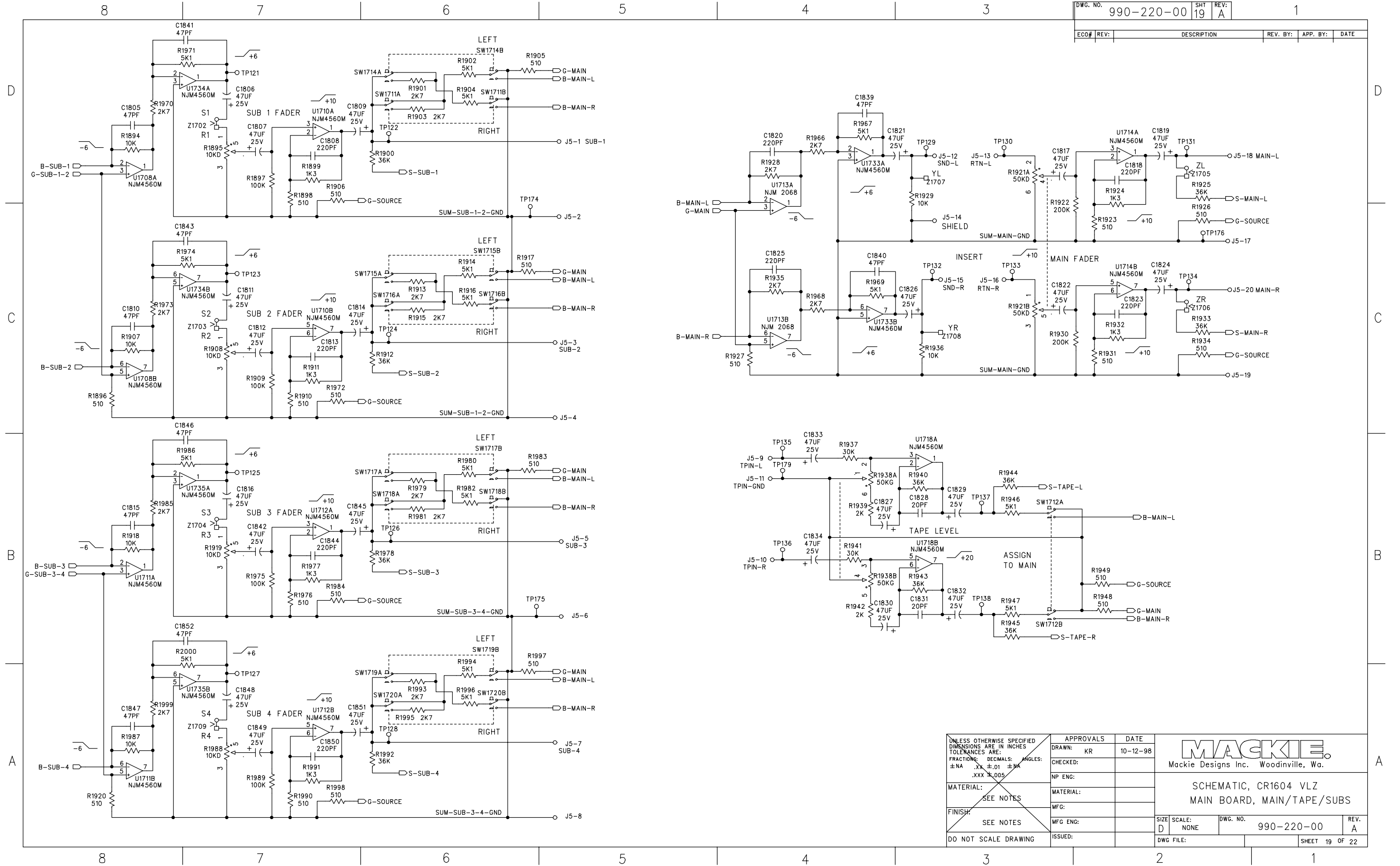
SCHEMATIC, CR1604 VLZ
MAIN BOARD, AUX RTNS

| | | | |
|-----------|----------------|------------|------|
| SIZE | SCALE: | DWG. NO. | REV. |
| D | NONE | 990-220-00 | A |
| DWG FILE: | SHEET 17 OF 22 | | |



| | | | |
|--|-----------|-------------|--|
| UNLESS OTHERWISE SPECIFIED DIMENSIONS ARE IN INCHES FRACTIONS: DECIMALS: ANGLES: ±NA .XX ±.01 ±MA .XXX ±.005 | APPROVALS | DATE | MACKIE. Mackie Designs Inc. Woodinville, Wa. |
| | DRAWN: KR | 10-12-98 | |
| | CHECKED: | | |
| | NP ENG: | | |
| MATERIAL: | MATERIAL: | | SCHEMATIC, CR1604 VLZ MAIN BOARD, AUX SENDS |
| SEE NOTES | MFG: | | |
| SEE NOTES | MFG ENG: | | |
| DO NOT SCALE DRAWING | ISSUED: | | |
| | SIZE: D | SCALE: NONE | DWG. NO. 990-220-00 |
| | | | REV. A |
| | DWG FILE: | | SHEET 18 OF 22 |

220-3 MAIN BOARD 220 REV A

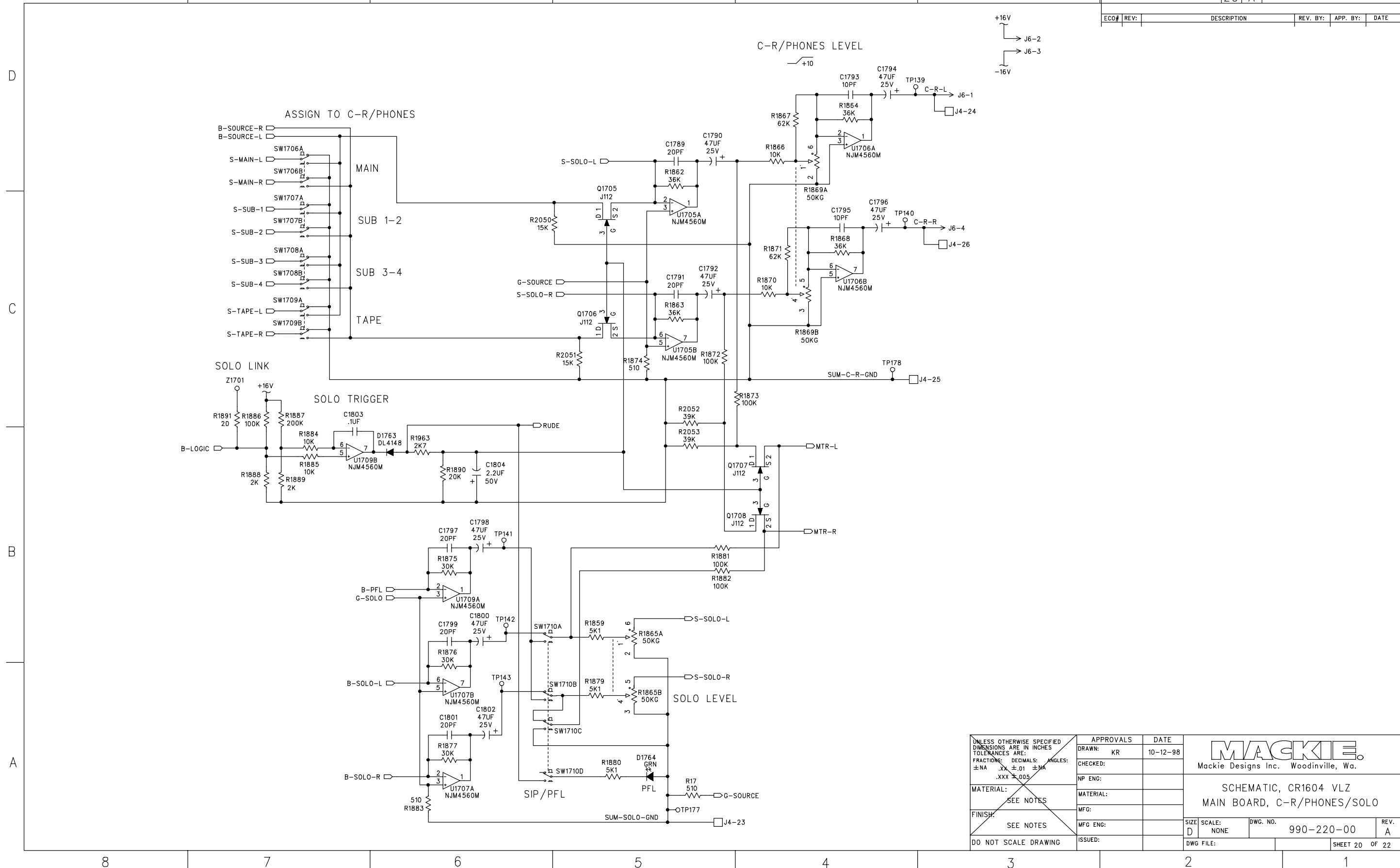


| | | |
|---|-----------|----------|
| UNLESS OTHERWISE SPECIFIED DIMENSIONS ARE IN INCHES TOLERANCES ARE: FRACTIONS: DECIMALS: ANGLES: ±.NA .XX ±.01 ±.NA .XXX ±.005 | APPROVALS | DATE |
| | DRAWN: KR | 10-12-98 |
| | CHECKED: | |
| | NP ENG: | |
| MATERIAL: | MATERIAL: | |
| FINISH: | MFG: | |
| DO NOT SCALE DRAWING | MFG ENG: | |
| | ISSUED: | |

MACKIE
Mackie Designs Inc. Woodinville, Wa.

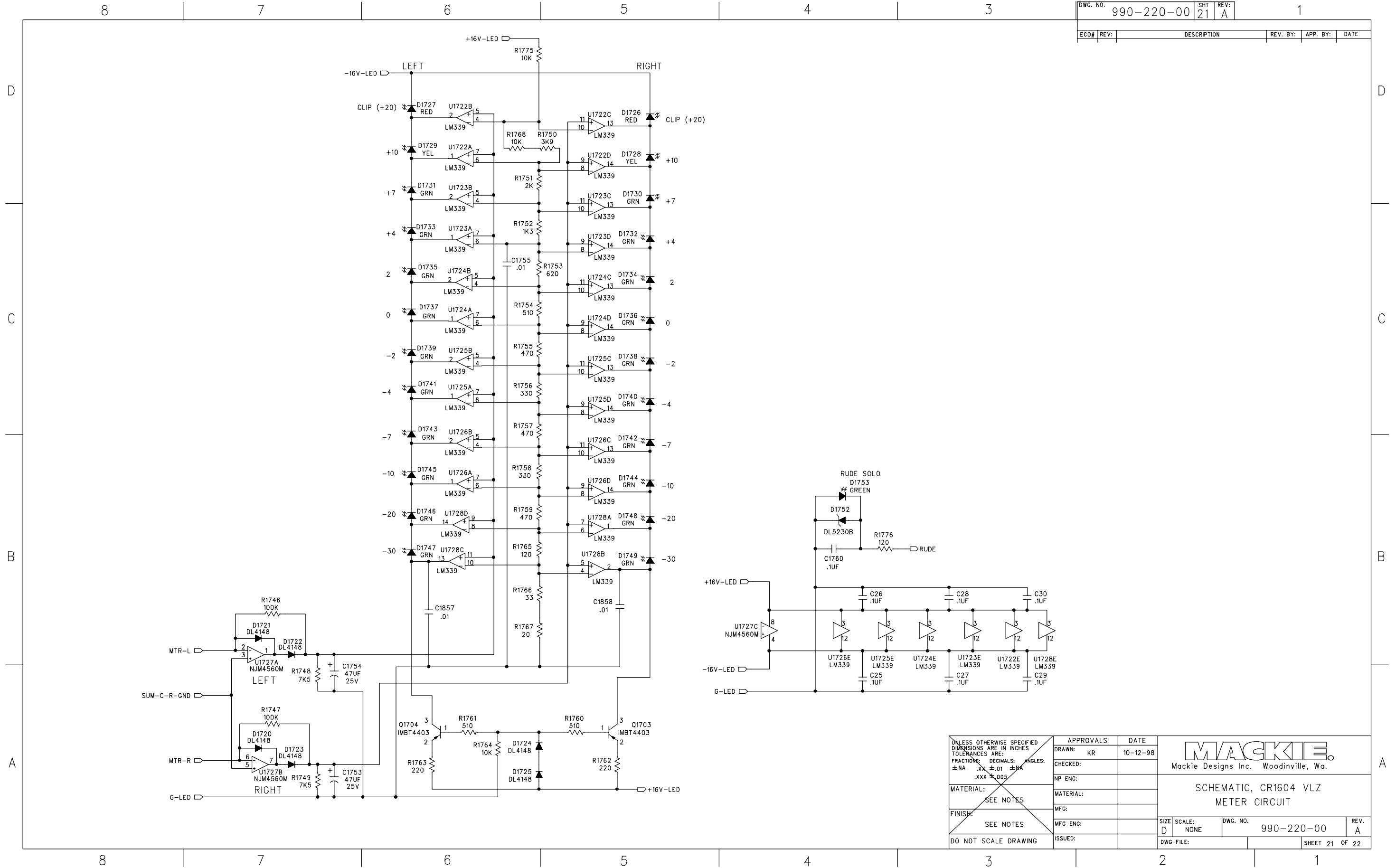
SCHEMATIC, CR1604 VLZ
MAIN BOARD, MAIN/TAPE/SUBS

| | | | |
|------------|----------------|------------|------|
| SIZE | SCALE: | DWG. NO. | REV. |
| D | NONE | 990-220-00 | A |
| DWG. FILE: | SHEET 19 OF 22 | | |



| | | | |
|---|-----------|----------|--|
| UNLESS OTHERWISE SPECIFIED DIMENSIONS ARE IN INCHES TOLERANCES ARE: FRACTIONS: DECIMALS: ANGLES: ±NA .XX ±.01 ±MA .XXX ±.005 | APPROVALS | DATE | |
| | DRAWN: KR | 10-12-98 | |
| | CHECKED: | | |
| | NP ENG: | | |
| | MATERIAL: | | |
| SEE NOTES | MATERIAL: | | SCHEMATIC, CR1604 VLZ MAIN BOARD, C-R/PHONES/SOLO |
| SEE NOTES | MFG: | | |
| DO NOT SCALE DRAWING | MFG ENG: | | |
| | ISSUED: | | |
| | | | SIZE: D SCALE: NONE DWG. NO. 990-220-00 REV. A DWG FILE: SHEET 20 OF 22 |

220-5 MAIN BOARD 220 REV A

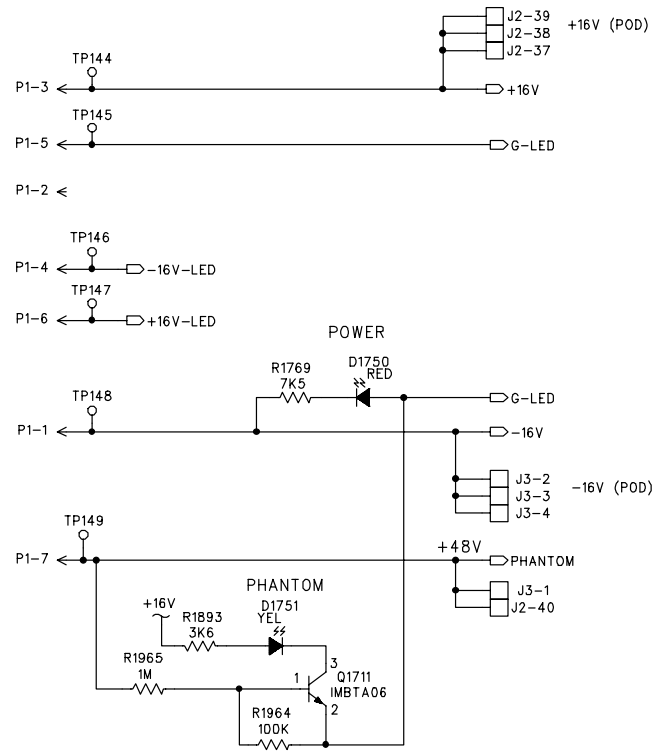


| | | | |
|---|-----------|--|---|
| UNLESS OTHERWISE SPECIFIED DIMENSIONS ARE IN INCHES TOLERANCES ARE: FRACTIONS: DECIMALS: ANGLES: ±.NA .XX ±.01 ±.NA .XXX ±.005 | APPROVALS | DATE | MACKIE Mackie Designs Inc. Woodinville, Wa. |
| | DRAWN: KR | 10-12-98 | |
| | CHECKED: | | |
| | NP ENG: | | |
| MATERIAL: | MATERIAL: | SCHEMATIC, CR1604 VLZ METER CIRCUIT | |
| FINISH: | MFG: | SIZE | D |
| SEE NOTES | MFG ENG: | SCALE: | NONE |
| DO NOT SCALE DRAWING | ISSUED: | DWG. NO. | 990-220-00 |
| | | REV. | A |
| | | DWG FILE: | SHEET 21 OF 22 |

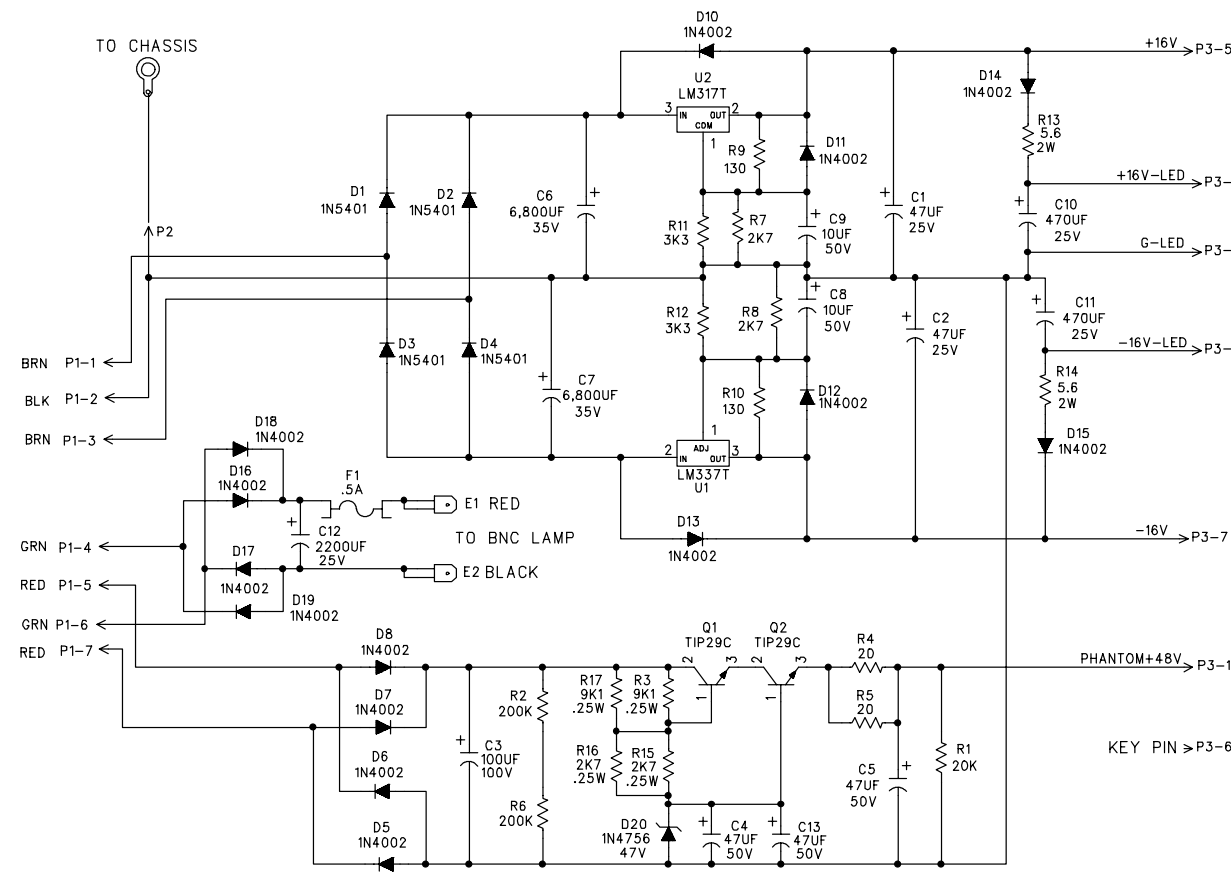
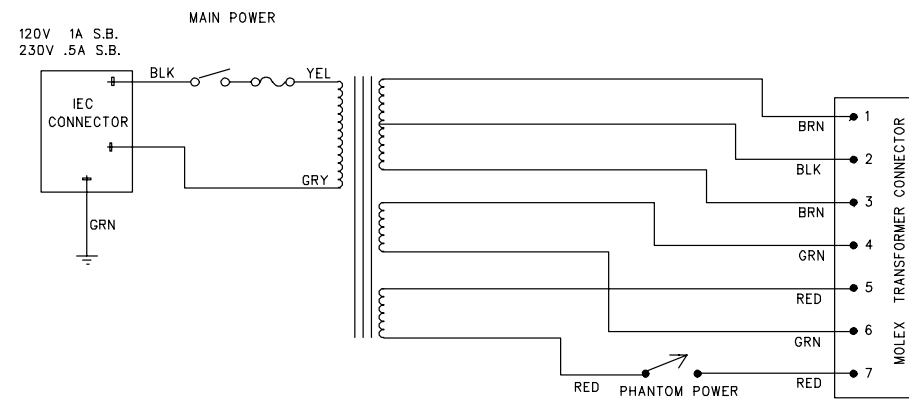
| ECO# | REV: | DESCRIPTION | REV. BY: | APP. BY: | DATE |
|------|------|-------------|----------|----------|------|
|------|------|-------------|----------|----------|------|

QUANTITY

- 20 706-033-02
STDF SWAGE NO.4 X .555L F
- 132 760-107-00
BTN 2 COLOR 9X5MM
- 16 760-108-00
BTN 2 COLOR 9X9MM
- 1 706-009-00
SPACER, NYLON, LED .385
- 1 620-023-00
FLAT CBL 4 PIN 3.5"
- 1 450-220-00
PCB, 1604 VLZ-MAIN



| | | | | | | |
|---|-----------|----------|---------------------------------------|--------|------------|----------------|
| UNLESS OTHERWISE SPECIFIED DIMENSIONS ARE IN INCHES TOLERANCES ARE: FRACTIONS: DECIMALS: ANGLES: ±NA .XX ±.01 ±MA .XXX ±.005 | APPROVALS | DATE | | | | |
| | DRAWN: KR | 10-12-98 | | | | |
| | CHECKED: | | | | | |
| | NP ENG: | | | | | |
| MATERIAL: | MATERIAL: | | SCHEMATIC, CR1604 VLZ POWER SUPPLY | | | |
| SEE NOTES | MFG: | | | | | |
| FINISH: | MFG ENG: | | SIZE | SCALE: | DWG. NO. | REV. |
| DO NOT SCALE DRAWING | ISSUED: | | D | NONE | 990-220-00 | A |
| | | | DWG FILE: | | | SHEET 22 OF 22 |



- 400-060-00 FUSE CLIP PCMT
- 400-060-00 FUSE CLIP PCMT
- 450-249-00 PCB, 1604 VLZ II POWER SUPPLY
- 706-008-00 STANDOFF, SWAGE 4-40 X .34
- 706-008-00 STANDOFF, SWAGE 4-40 X .34

| | | | |
|--|-----------|----------|--|
| UNLESS OTHERWISE SPECIFIED DIMENSIONS ARE IN INCHES TOLERANCES ARE: FRACTIONS: DECIMALS: ANGLES: ±.NA .XX ±.01 ±.NA .XXX ±.005 | APPROVALS | DATE | <p>Mackie Designs Inc. Woodinville, Wa.</p> <p>SCHEMATIC, CR1604 VLZ II POWER SUPPLY</p> |
| | DRAWN: KR | 11-30-98 | |
| | CHECKED: | | |
| | NP ENG: | | |
| MATERIAL: | MATERIAL: | | SIZE SCALE: DWG. NO. 990-249-00 REV. A DWG FILE: SHEET 1 OF 1 |
| FINISH: SEE NOTES | MFG: | | |
| DO NOT SCALE DRAWING | MFG ENG: | | |
| | ISSUED: | | |