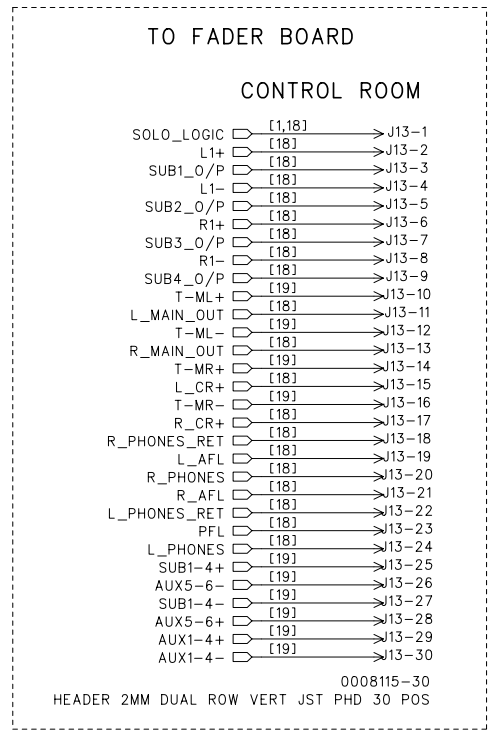
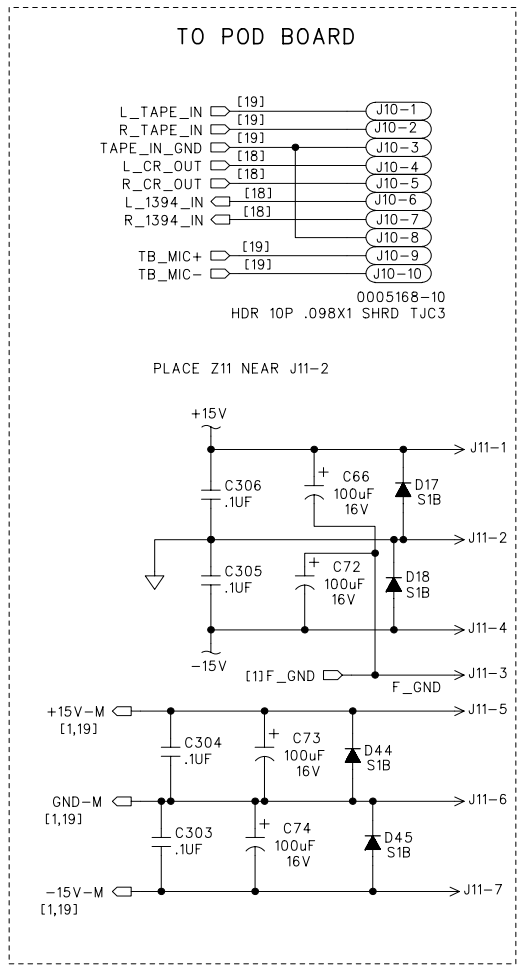
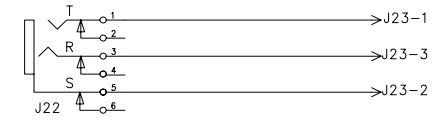


ECO#	REV:	DESCRIPTION	REV. BY:	DATE
6959	A00	RELEASE TO PRODUCTION	mfp	04/02/04
6996	A01	REVISED GAIN POTS	SDPL	05/27/04
7144	A02	CHG TWO RESISTORS-TALKBACK IN PHONES	DB	06/10/04
7182	B00	UPDATE S1B FOOTPRINT, DFM CHANGES	KR	07/06/04
7320	C00	ADD HI-Z PAD CIRCUIT	DB	08/26/04

HEAD PHONE JACK BOARD



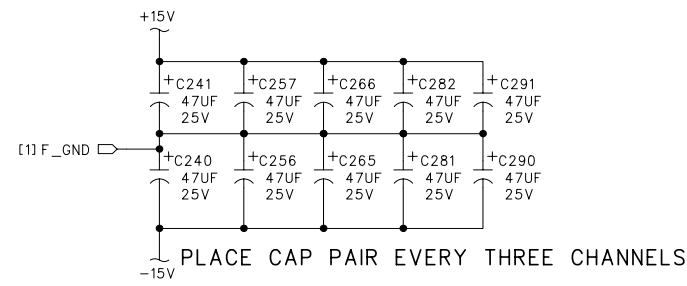
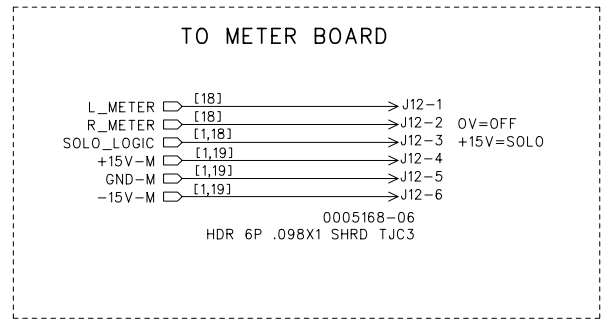
- SM RECTANGLE BUTTON 5X7mm CONTROL GREY
0008793-03
- B1 B8 B15 B22
 - B2 B9 B16 B23
 - B3 B10 B17 B24
 - B4 B11 B18 B25
 - B5 B12 B19 B26
 - B6 B13 B20 B27
 - B7 B14 B21 B28

- B63 SM RECTANGLE BUTTON 5X7mm CONTROL GREY "FIREWIRE" (SYMBOL)
0008793-21
- B45 SM RECTANGLE BUTTON 5X7mm CONTROL GREY "GUITAR" (SYMBOL)
0008793-23
- B46

- SM RECTANGLE BUTTON 5X7mm CONTROL GREY "48V"
0008793-06
- B29 B33 B37 B41
 - B30 B34 B38 B42
 - B31 B35 B39 B43
 - B32 B36 B40 B44

- B64 MED RECTANGLE BUTTON 11.5 x 8.5 mm CONTROL GREY
0008794-02

- SM RECTANGLE BUTTON 5X7mm CONTROL GREY "LOW CUT" (SYMBOL)
0008793-09
- B47 B51 B55 B59
 - B48 B52 B56 B60
 - B49 B53 B57 B61
 - B50 B54 B58 B62



- S01 0008320-01
- STDF SWAGE M3 X .13.8MM 4.7 DIA
- S02 S07 S012 S017
- S03 S08 S013 S018
- S04 S09 S014 S019
- S05 S10 S015 S020
- S06 S11 S016

Z100 0007960-02
PCB, EQ, 1604 VLZII

APPROVALS		DATE
DRAWN:	TH	9/2/03
CHECKED:		
NP ENG:		
MATERIAL:		
MFG:		
MFG ENG:		
ISSUED:		

Mackie Designs Inc. Woodinville, Wa.

SCH0007961

SIZE	SCALE:	DWG. NO.	REV.
D	NONE	SCH0007961	C00
DWG FILE:		SHEET 1 OF 19	

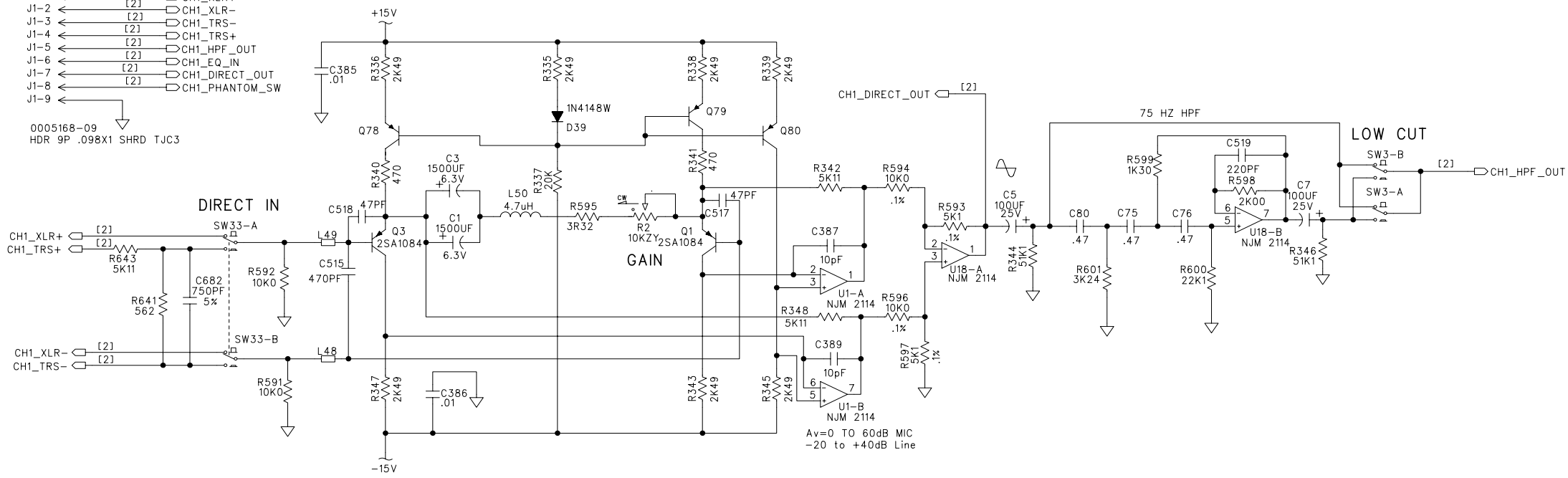
©2003 MACKIE DESIGNS INC.
ALL RIGHTS RESERVED
THE INFORMATION CONTAINED HEREIN
IS PROPRIETARY AND CONFIDENTIAL
PROPERTY OF MACKIE DESIGNS INC.

D

D

CHANNEL 1 (TO POD)

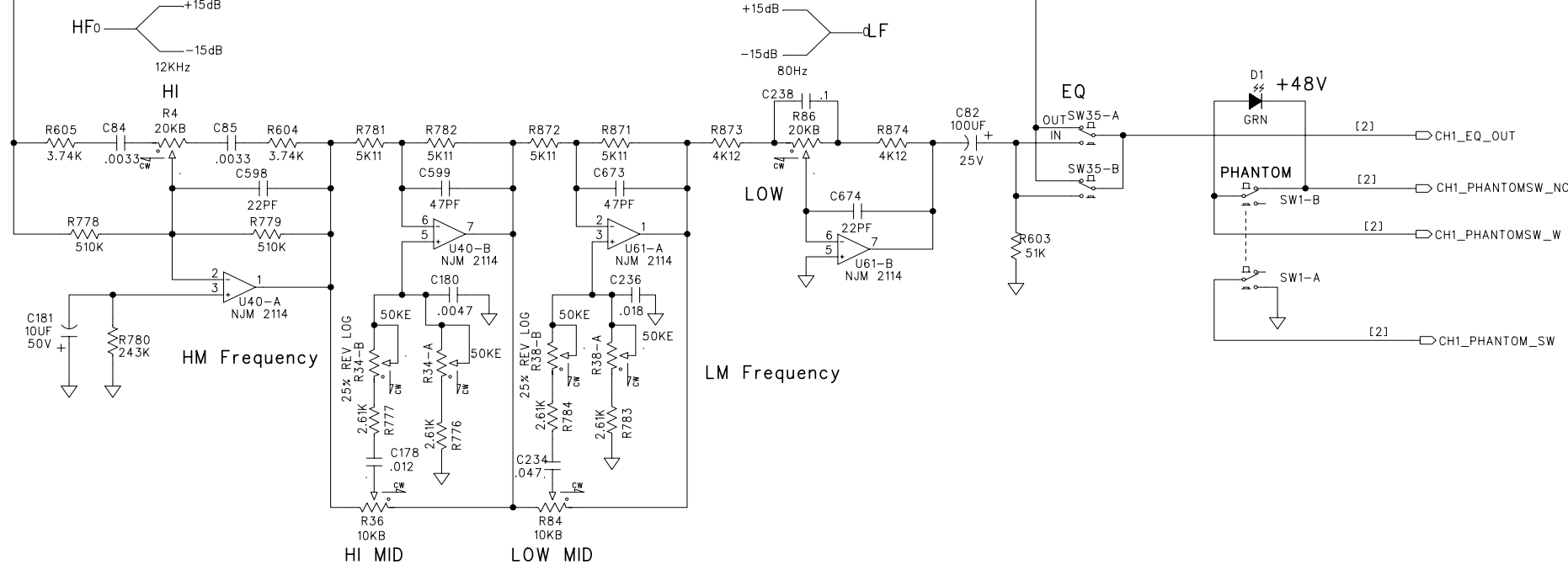
- J1-1 [2] CH1_XLR+
 - J1-2 [2] CH1_XLR-
 - J1-3 [2] CH1_TRS+
 - J1-4 [2] CH1_TRS-
 - J1-5 [2] CH1_HPF_OUT
 - J1-6 [2] CH1_EQ_IN
 - J1-7 [2] CH1_DIRECT_OUT
 - J1-8 [2] CH1_PHANTOM_SW
 - J1-9 [2]
- 0005168-09
HDR 9P .098X1 SHRD TJC3



C

C

CH1_EQ_IN [2]



B

B

CHANNEL 1 (TO FADER)

- CH1_EQ_OUT [2] J21-1
 - CH1_PHANTOMSW_W [2] J21-2
 - CH1_PHANTOMSW_NC [2] J21-3
 - [2] J21-4
- 0005168-08
HDR 8P .098X1 SHRD TJC3

A

A

MACKIE
Mackie Designs Inc. Woodinville, Wa.

SCHMATIC, EQ, ONYX 1640
CHANNEL 1 PREAMP/EQ

SIZE	SCALE:	DWG. NO.	REV.
D	NONE	SCH0007961	C00
DWG FILE:		SHEET 2 OF 19	

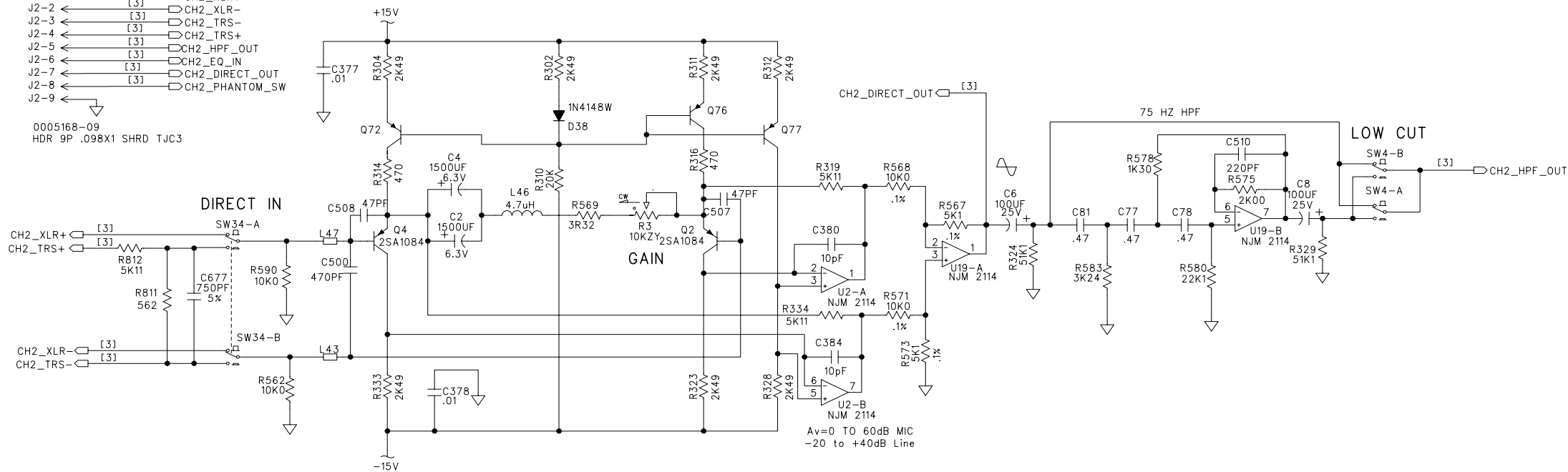
D

D

CHANNEL 2 (TO POD)

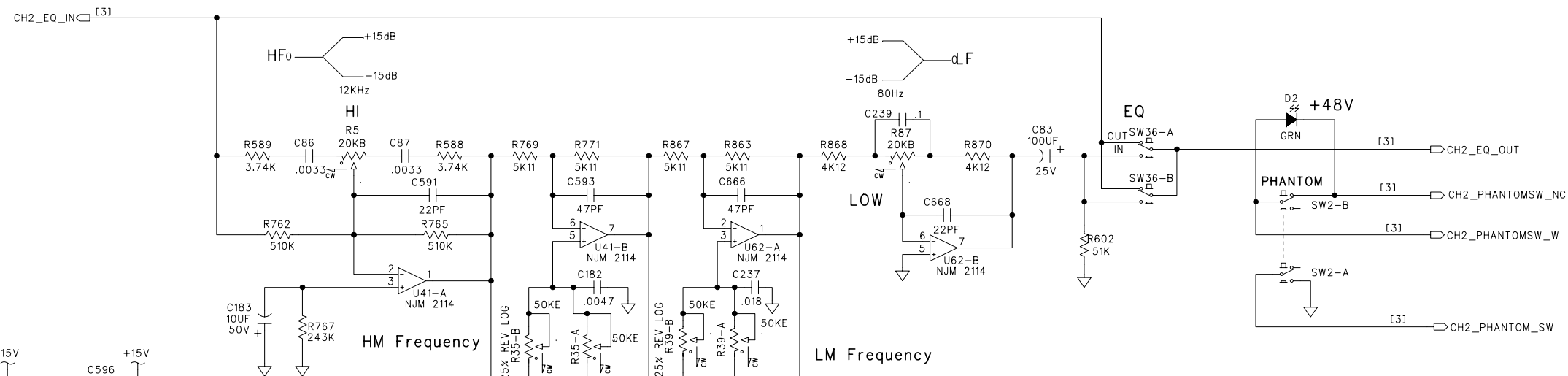
- J2-1 ← [3] CH2_XLR+
- J2-2 ← [3] CH2_XLR-
- J2-3 ← [3] CH2_TRS-
- J2-4 ← [3] CH2_TRS+
- J2-5 ← [3] CH2_HPF_OUT
- J2-6 ← [3] CH2_EQ_IN
- J2-7 ← [3] CH2_DIRECT_OUT
- J2-8 ← [3] CH2_PHANTOM_SW
- J2-9 ←

0005168-09
HDR 9P .098X1 SHRD TJC3



C

C



CHANNEL 2 (TO FADER)

- CH2_EQ_OUT [3] → J21-5
- CH2_PHANTOMSW_W [3] → J21-6
- CH2_PHANTOMSW_NC [3] → J21-7
- J21-8

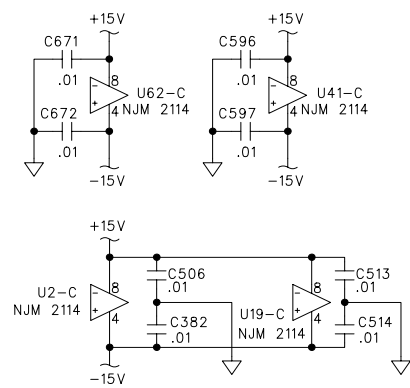
0005168-08
HDR 8P .098X1 SHRD TJC3

B

B

A

A



MACKIE
Mackie Designs Inc. Woodinville, Wa.

SCHMATIC, EQ, ONYX 1640
CHANNEL 2 PREAMP/EQ

SIZE: D	SCALE: NONE	DWG. NO.: SCH0007961	REV. C00
DWG FILE:		SHEET 3 OF 19	

D

D

C

C

B

B

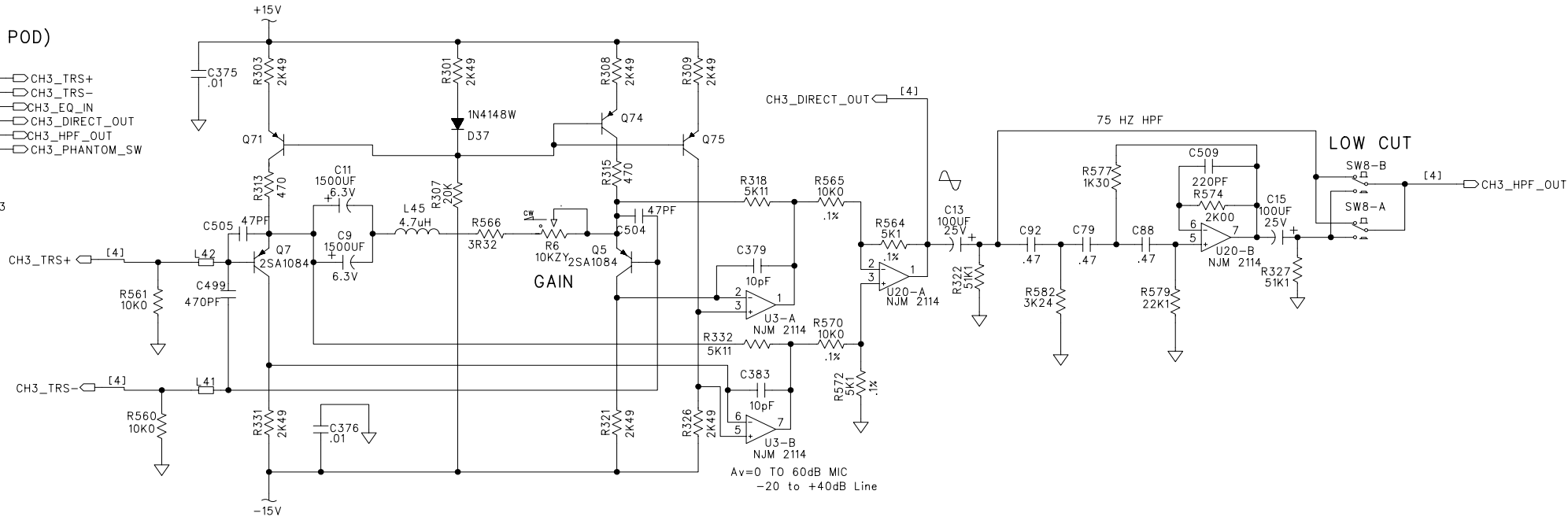
A

A

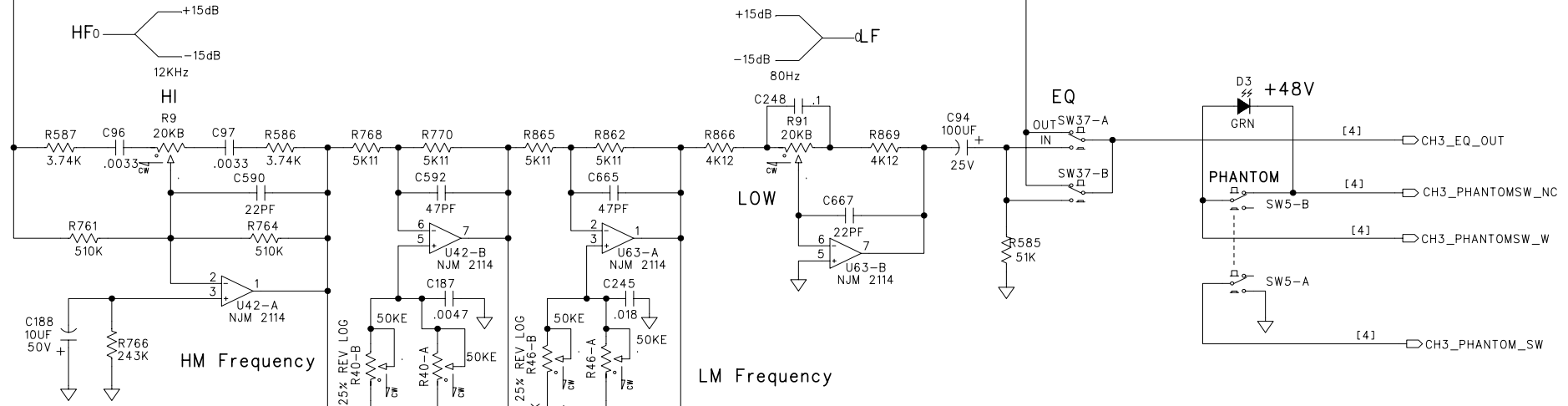
CHANNEL 3 (TO POD)

- J3-1 [4] CH3_TRS+
- J3-2 [4] CH3_TRS-
- J3-3 [4] CH3_EQ_IN
- J3-4 [4] CH3_DIRECT_OUT
- J3-5 [4] CH3_HPF_OUT
- J3-6 [4] CH3_PHANTOM_SW
- J3-7 [4]

0005168-14
HDR 14P .098X1 SHRD TJC3



CH3_EQ_IN [4]



CHANNEL 3 (TO FADER)

- CH3_EQ_OUT [4] J20-1
- CH3_PHANTOMSW_W [4] J20-2
- CH3_PHANTOMSW_NC [4] J20-3
- J20-4

0005168-08
HDR 8P .098X1 SHRD TJC3

MACKIE
Mackie Designs Inc. Woodinville, Wa.

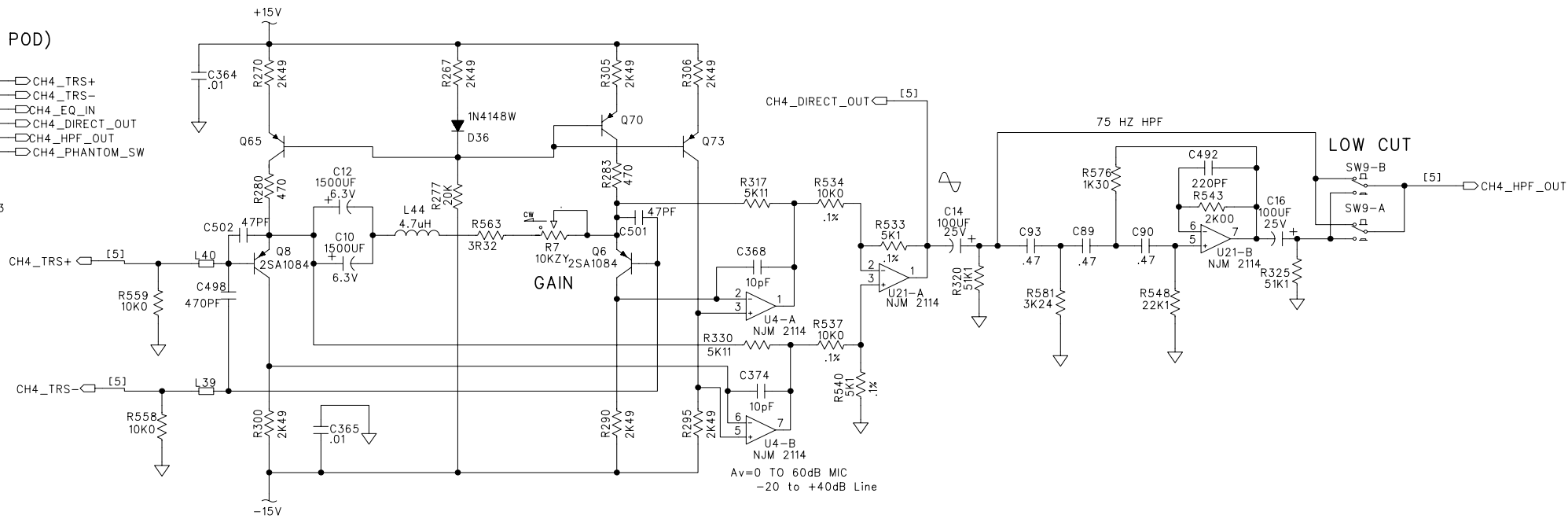
SCH0007961
REV. C00

SIZE: D SCALE: NONE DWG. NO. SCH0007961 SHEET 4 OF 19

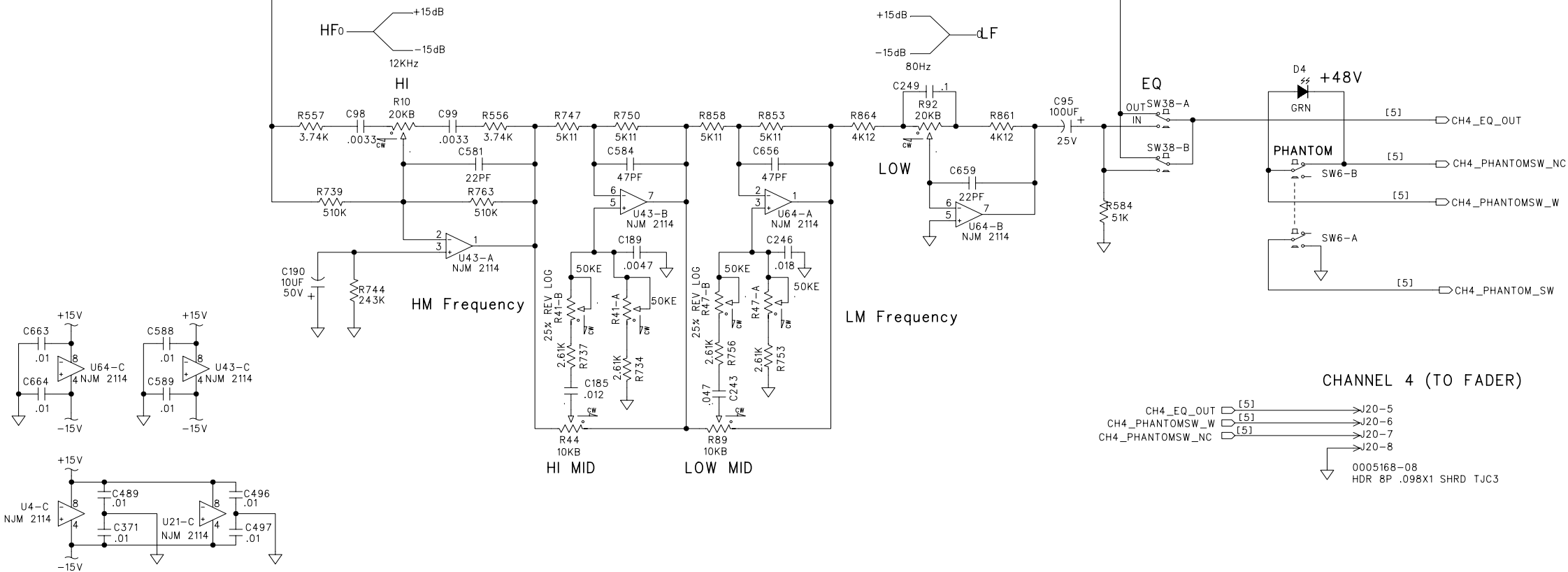
CHANNEL 4 (TO POD)

- J3-14 ← [5] CH4_TRS+
- J3-13 ← [5] CH4_TRS-
- J3-12 ← [5] CH4_EQ_IN
- J3-11 ← [5] CH4_DIRECT_OUT
- J3-10 ← [5] CH4_HPF_OUT
- J3-9 ← [5] CH4_PHANTOM_SW
- J3-8 ←

0005168-14
HDR 14P .098X1 SHRD TJC3



CH4_EQ_IN [5]



CHANNEL 4 (TO FADER)

- CH4_EQ_OUT [5] → J20-5
 - CH4_PHANTOMSW_W [5] → J20-6
 - CH4_PHANTOMSW_NC [5] → J20-7
 - J20-8
- 0005168-08
HDR 8P .098X1 SHRD TJC3

MACKIE
Mackie Designs Inc. Woodinville, Wa.

SCHMATIC, EQ, ONYX 1640
CHANNEL 4 PREAMP/EQ

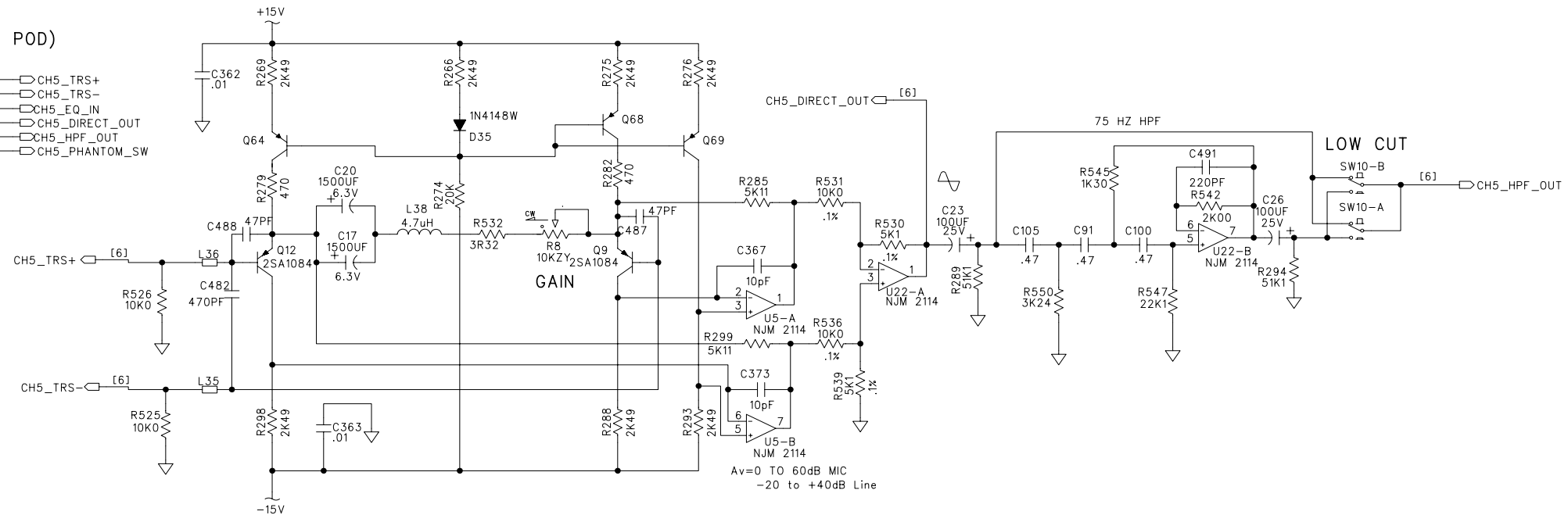
SIZE: D	SCALE: NONE	DWG. NO.: SCH0007961	REV.: C00
DWG FILE:			SHEET 5 OF 19

D

D

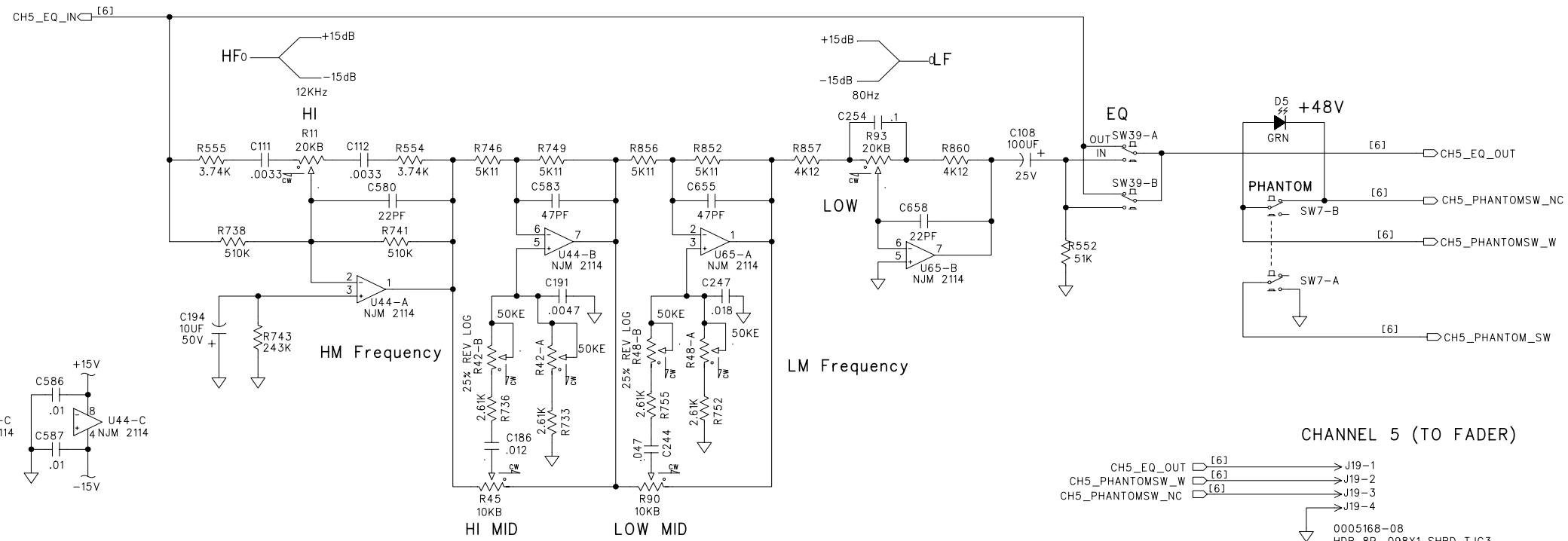
CHANNEL 5 (TO POD)

- J4-1 ← [6] CH5_TRS+
 - J4-2 ← [6] CH5_TRS-
 - J4-3 ← [6] CH5_EQ_IN
 - J4-4 ← [6] CH5_DIRECT_OUT
 - J4-5 ← [6] CH5_HPF_OUT
 - J4-6 ← [6] CH5_PHANTOM_SW
 - J4-7 ← [6]
- 0005168-14
HDR 14P .098X1 SHRD TJC3



C

C



B

B

CHANNEL 5 (TO FADER)

- CH5_EQ_OUT [6] → J19-1
 - CH5_PHANTOMSW_W [6] → J19-2
 - CH5_PHANTOMSW_NC [6] → J19-3
 - CH5_PHANTOM_SW [6] → J19-4
- 0005168-08
HDR 8P .098X1 SHRD TJC3

A

A

MACKIE
Mackie Designs Inc. Woodinville, Wa.

SCHMATIC, EQ, ONYX 1640
CHANNEL 5 PREAMP/EQ

SIZE: D	SCALE: NONE	DWG. NO.: SCH0007961	REV. C00
DWG FILE:		SHEET 6 OF 19	

D

D

C

C

B

B

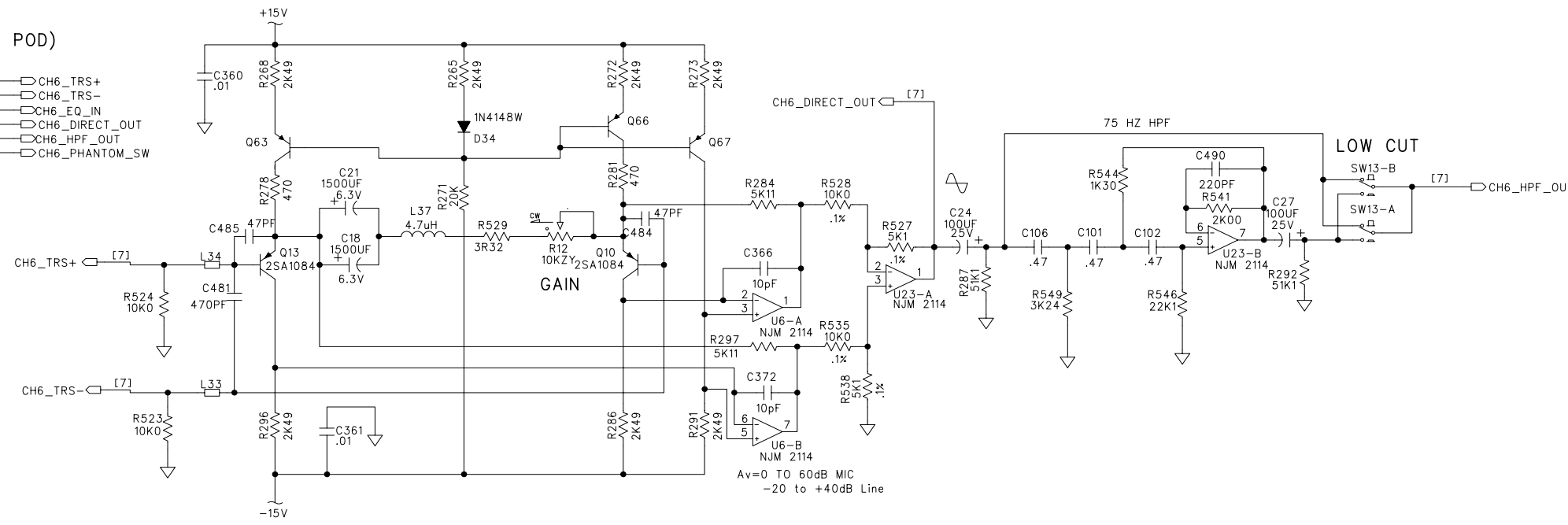
A

A

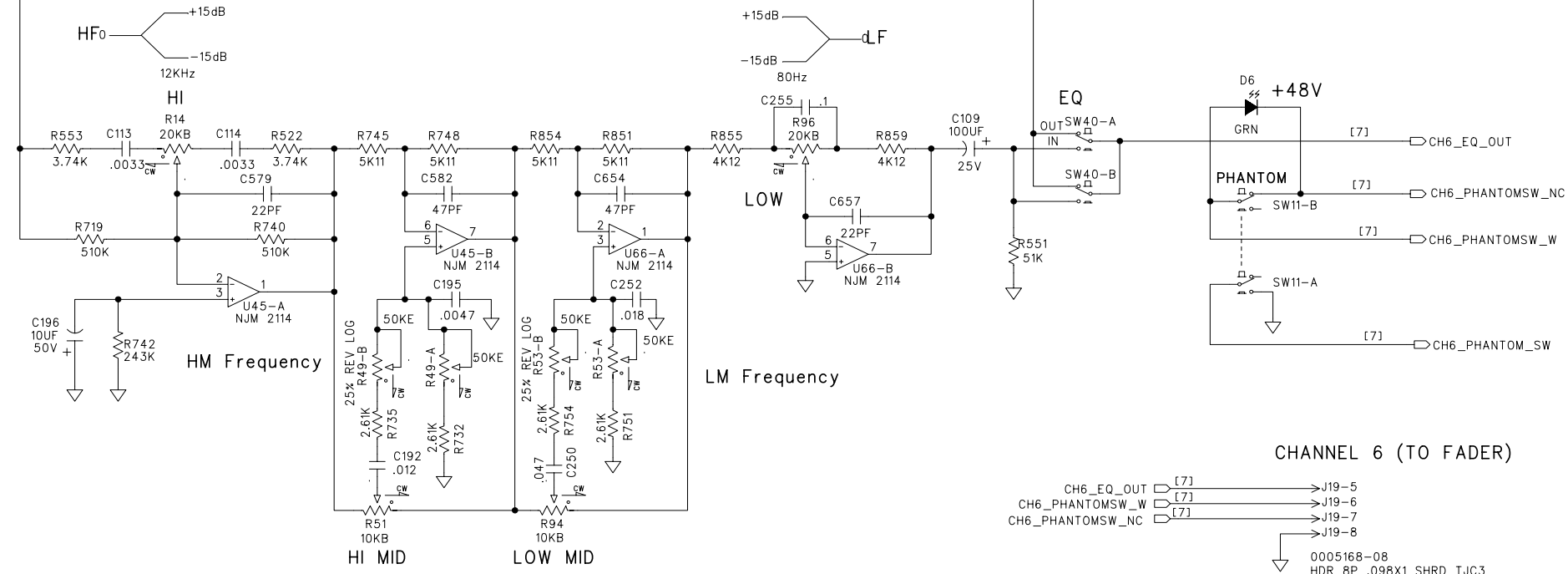
CHANNEL 6 (TO POD)

- J4-14 [7] CH6_TRS+
- J4-13 [7] CH6_TRS-
- J4-12 [7] CH6_EQ_IN
- J4-11 [7] CH6_DIRECT_OUT
- J4-10 [7] CH6_HPF_OUT
- J4-9 [7] CH6_PHANTOM_SW

HDR 14P .098X1 SHRD TJC3



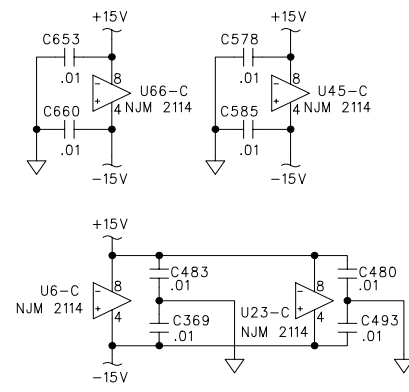
CH6_EQ_IN [7]



CHANNEL 6 (TO FADER)

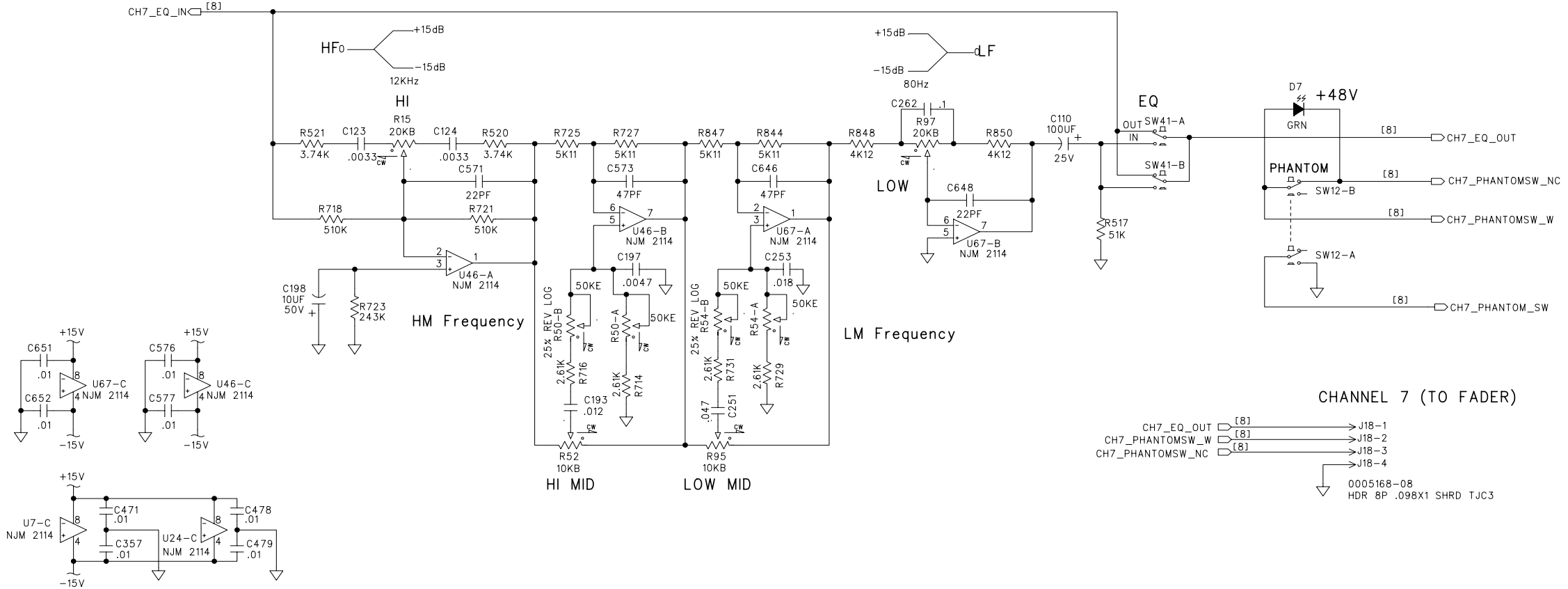
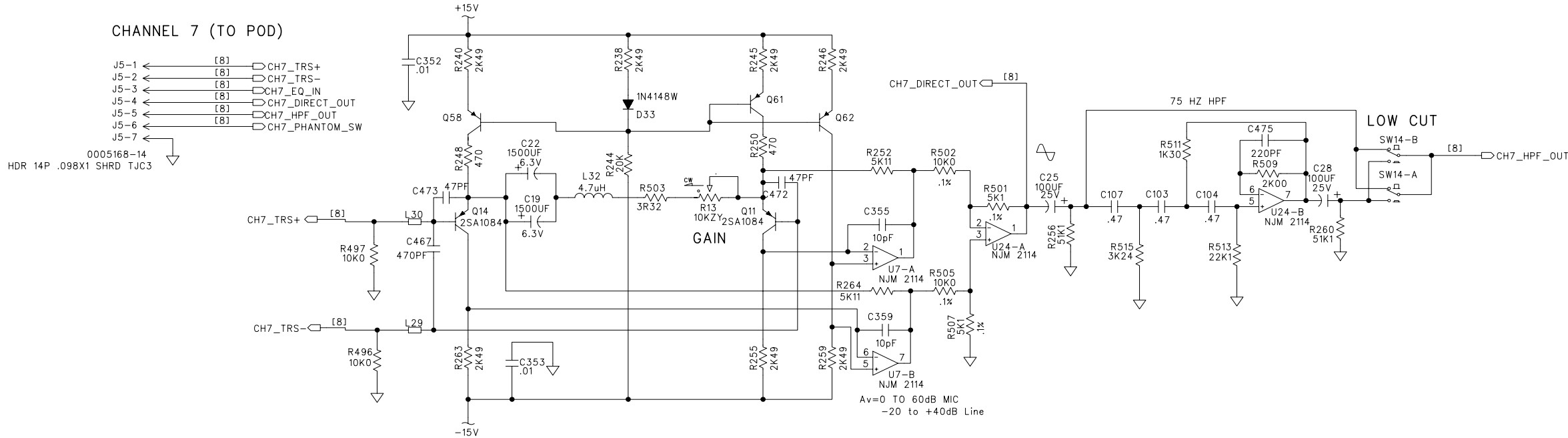
- CH6_EQ_OUT [7] J19-5
- CH6_PHANTOMSW_W [7] J19-6
- CH6_PHANTOMSW_NC [7] J19-7
- J19-8

0005168-08 HDR 8P .098X1 SHRD TJC3



MACKIE
Mackie Designs Inc. Woodinville, Wa.

SCH0007961
SHEET 7 OF 19



MACKIE
Mackie Designs Inc. Woodinville, Wa.

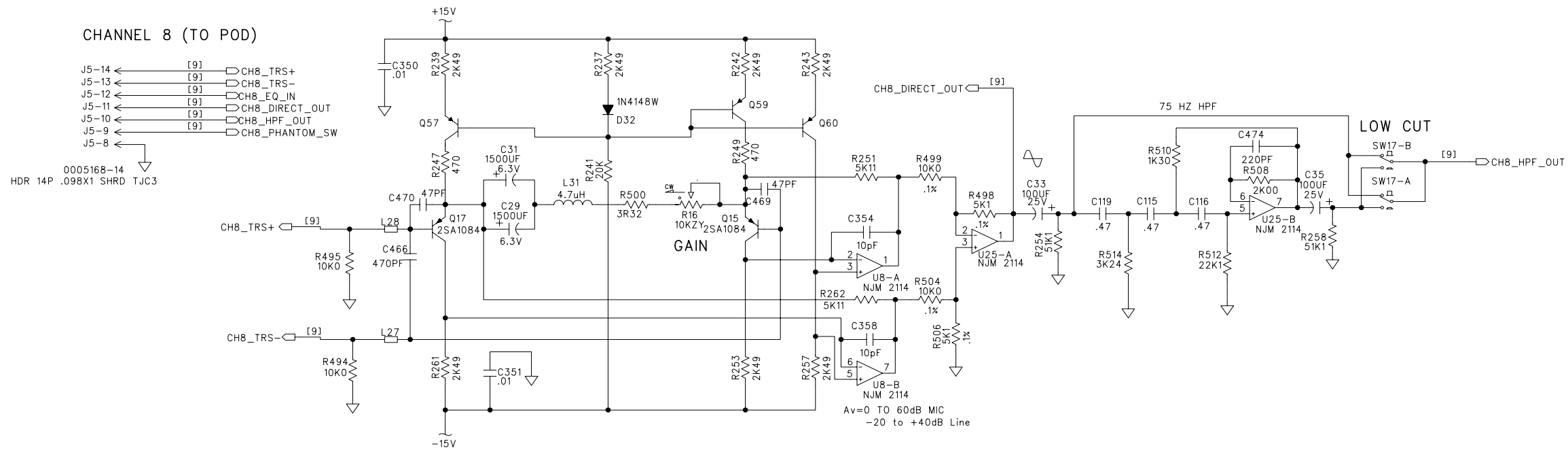
SCH0007961

REV. C00

SHEET 8 OF 19

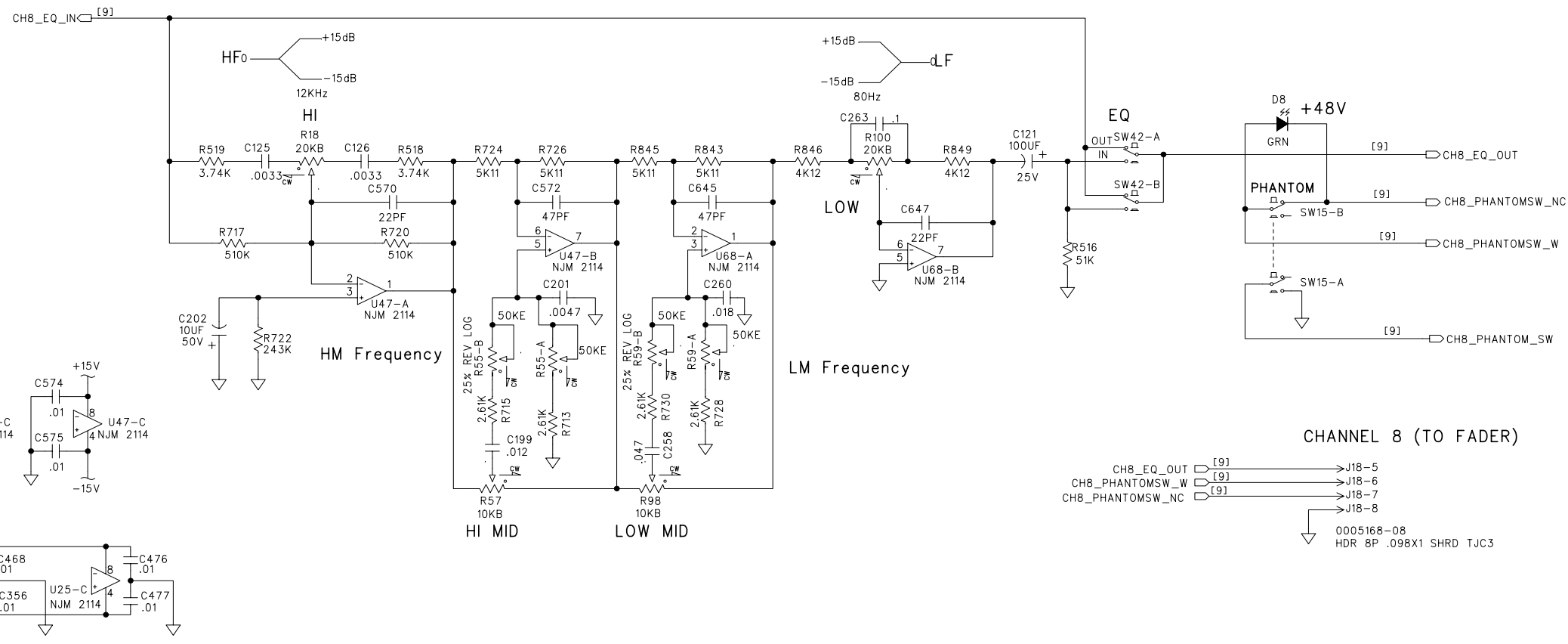
D

D



C

C



B

B

A

A

MACKIE
Mackie Designs Inc. Woodinville, Wa.

SCH0007961

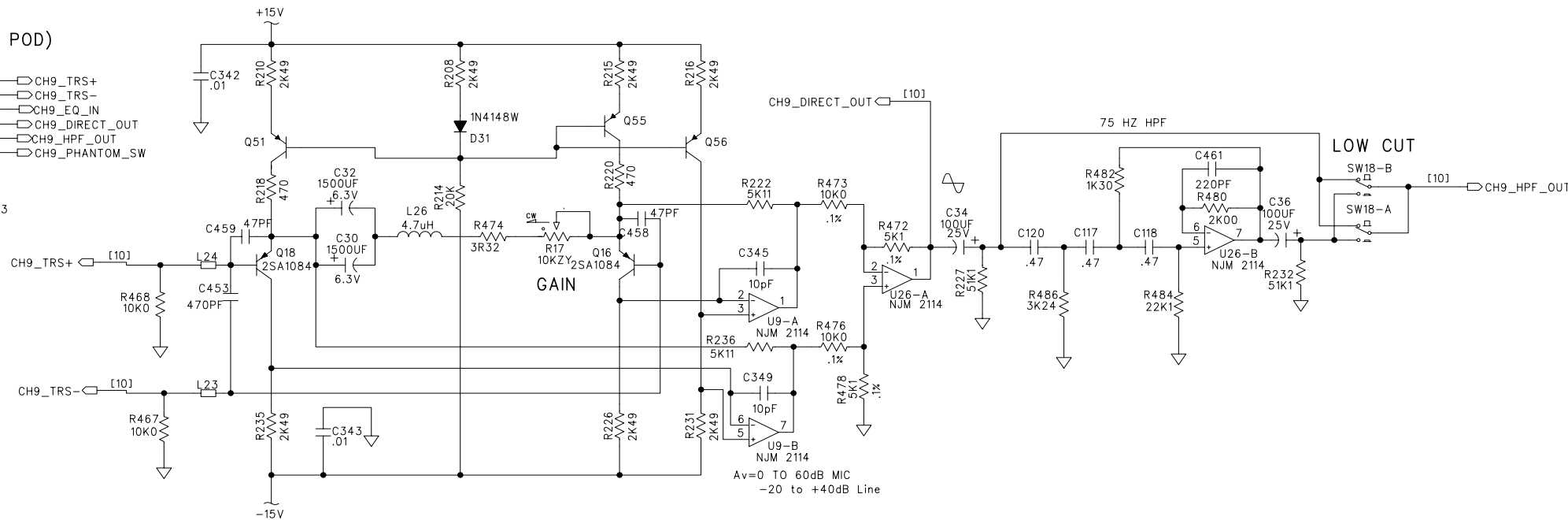
REV. C00

SHEET 9 OF 19

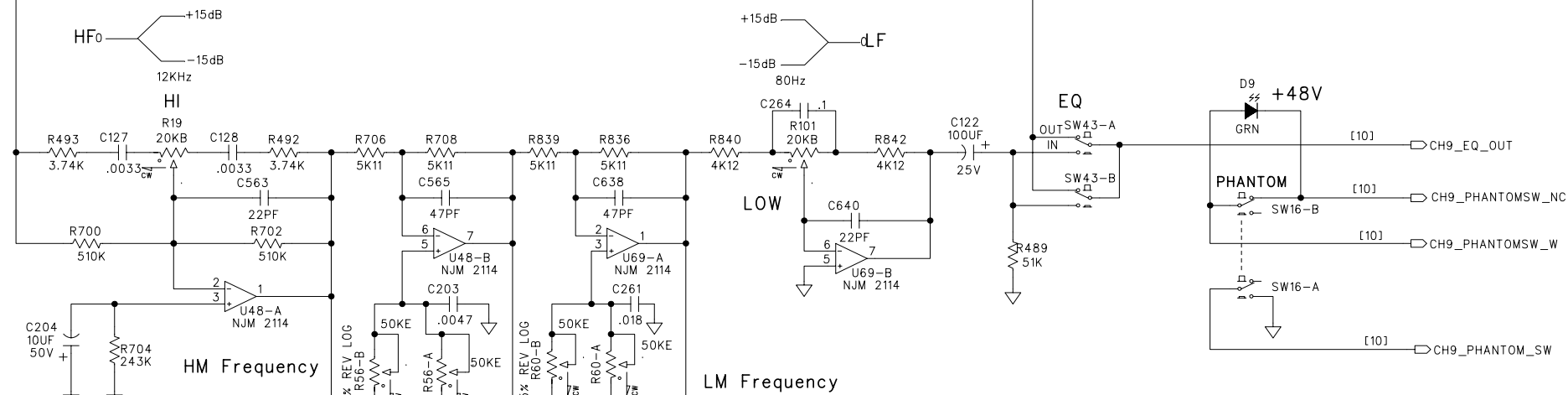
CHANNEL 9 (TO POD)

- J6-1 ← [10] CH9_TRS+
- J6-2 ← [10] CH9_TRS-
- J6-3 ← [10] CH9_EQ_IN
- J6-4 ← [10] CH9_DIRECT_OUT
- J6-5 ← [10] CH9_HPF_OUT
- J6-6 ← [10] CH9_PHANTOM_SW
- J6-7 ←

0005168-14
HDR 14P .098X1 SHRD TJC3



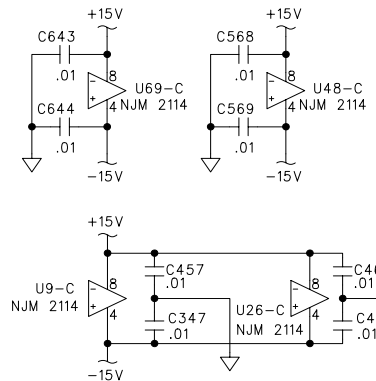
CH9_EQ_IN [10]



CHANNEL 9 (TO FADER)

- CH9_EQ_OUT [10] → J17-1
- CH9_PHANTOMSW_W [10] → J17-2
- CH9_PHANTOMSW_NC [10] → J17-3
- J17-4

0005168-08
HDR 8P .098X1 SHRD TJC3



MACKIE
Mackie Designs Inc. Woodinville, Wa.

SCHMATIC, EQ, ONYX 1640
CHANNEL 9 PREAMP/EQ

SIZE: D	SCALE: NONE	DWG. NO.: SCH0007961	REV.: C00
DWG FILE:		SHEET 10 OF 19	

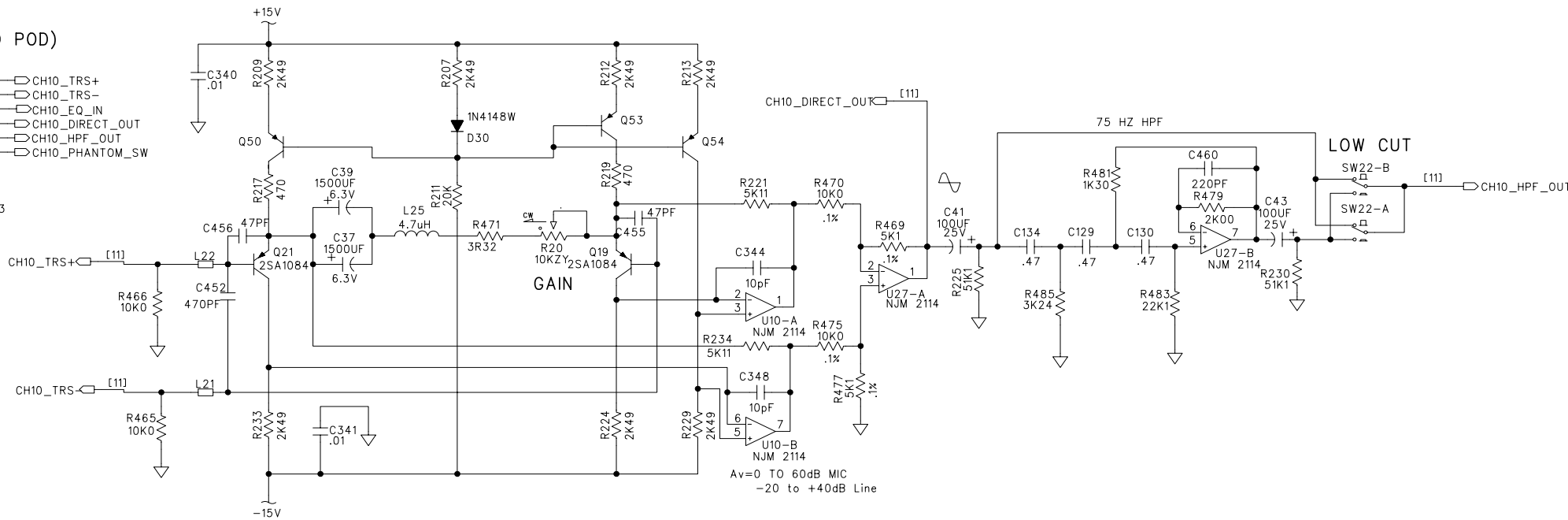
D

D

CHANNEL 10 (TO POD)

- J6-14 ← [11] CH10_TRS+
- J6-13 ← [11] CH10_TRS-
- J6-12 ← [11] CH10_EQ_IN
- J6-11 ← [11] CH10_DIRECT_OUT
- J6-10 ← [11] CH10_HPF_OUT
- J6-9 ← [11] CH10_PHANTOM_SW

0005168-14
HDR 14P .098X1 SHRD TJC3



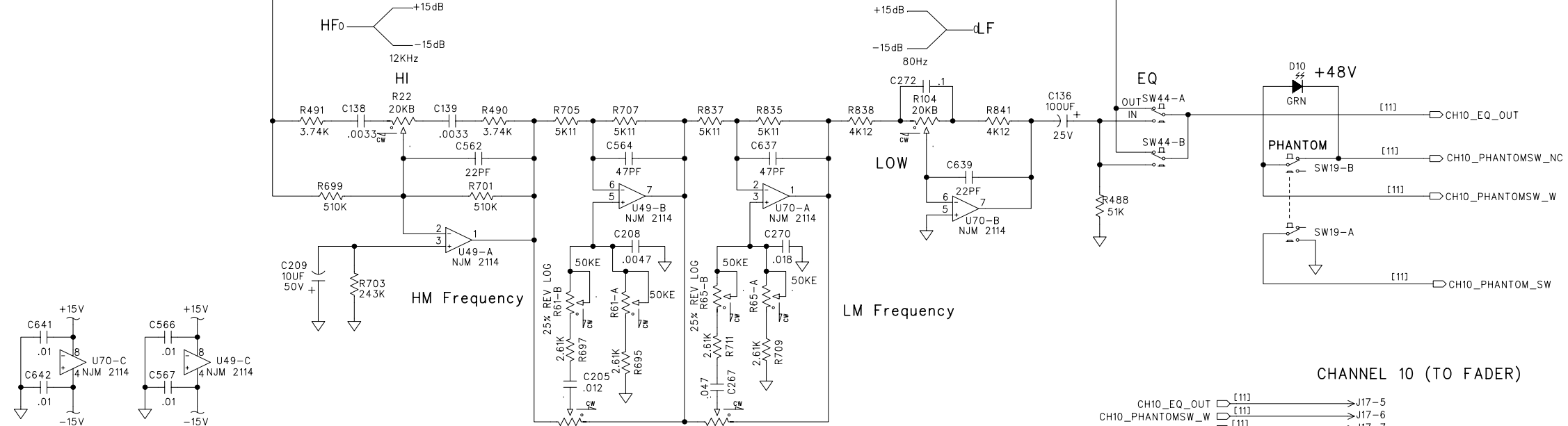
C

C

B

B

CH10_EQ_IN [11]



CHANNEL 10 (TO FADER)

- CH10_EQ_OUT [11] → J17-5
- CH10_PHANTOMSW_W [11] → J17-6
- CH10_PHANTOMSW_NC [11] → J17-7
- J17-8

0005168-08
HDR 8P .098X1 SHRD TJC3

A

A

MACKIE
Mackie Designs Inc. Woodinville, Wa.

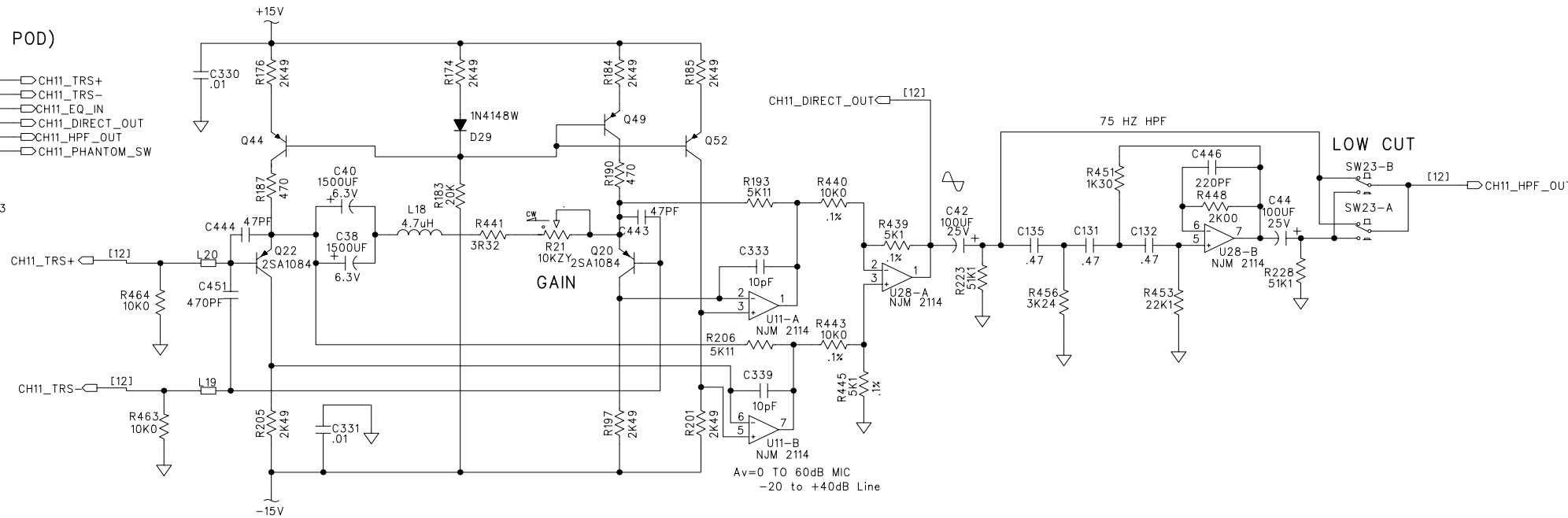
SCHEMATIC, EQ, ONYX 1640
CHANNEL 10 PREAMP/EQ

SIZE: D	SCALE: NONE	DWG. NO.: SCH0007961	REV. C00
DWG FILE:		SHEET 11 OF 19	

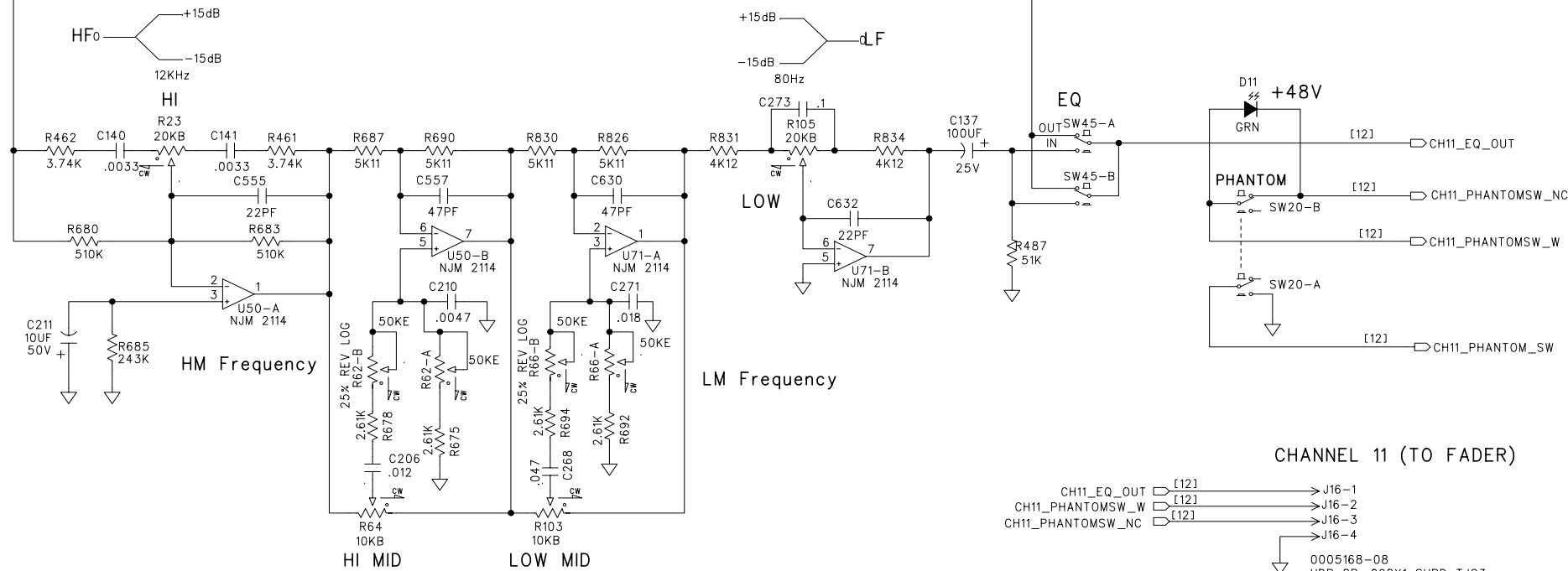
CHANNEL 11 (TO POD)

- J7-1 ← [12] CH11_TRS+
- J7-2 ← [12] CH11_TRS-
- J7-3 ← [12] CH11_EQ_IN
- J7-4 ← [12] CH11_DIRECT_OUT
- J7-5 ← [12] CH11_HPF_OUT
- J7-6 ← [12] CH11_PHANTOM_SW
- J7-7 ←

0005168-14
HDR 14P .098X1 SHRD TJC3



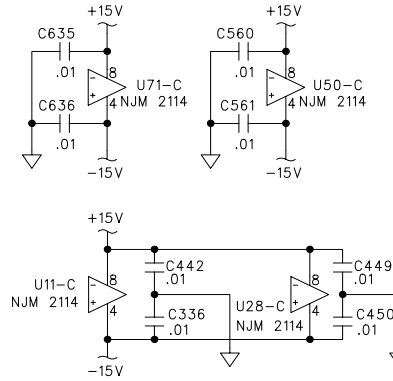
CH11_EQ_IN [12]



CHANNEL 11 (TO FADER)

- CH11_EQ_OUT [12] → J16-1
- CH11_PHANTOMSW_W [12] → J16-2
- CH11_PHANTOMSW_NC [12] → J16-3
- J16-4

0005168-08
HDR 8P .098X1 SHRD TJC3



MACKIE
Mackie Designs Inc. Woodinville, Wa.

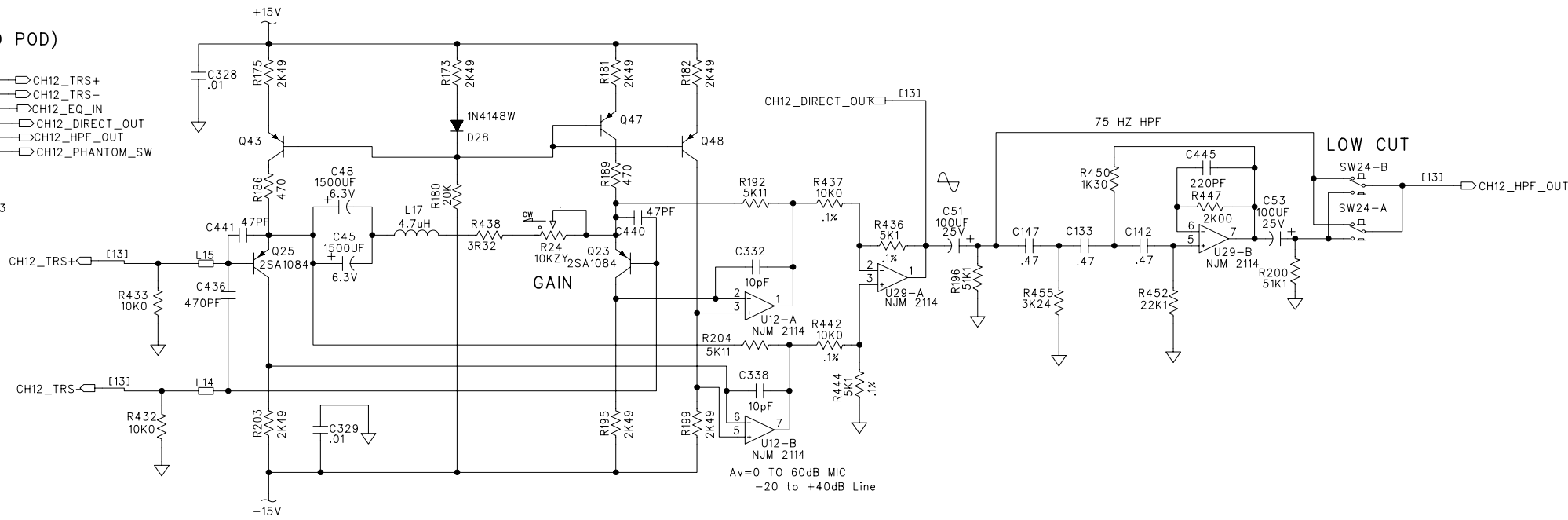
SCHMATIC, EQ, ONYX 1640
CHANNEL 11 PREAMP/EQ

SIZE: D	SCALE: NONE	DWG. NO.: SCH0007961	REV.: C00
DWG FILE:		SHEET 12 OF 19	

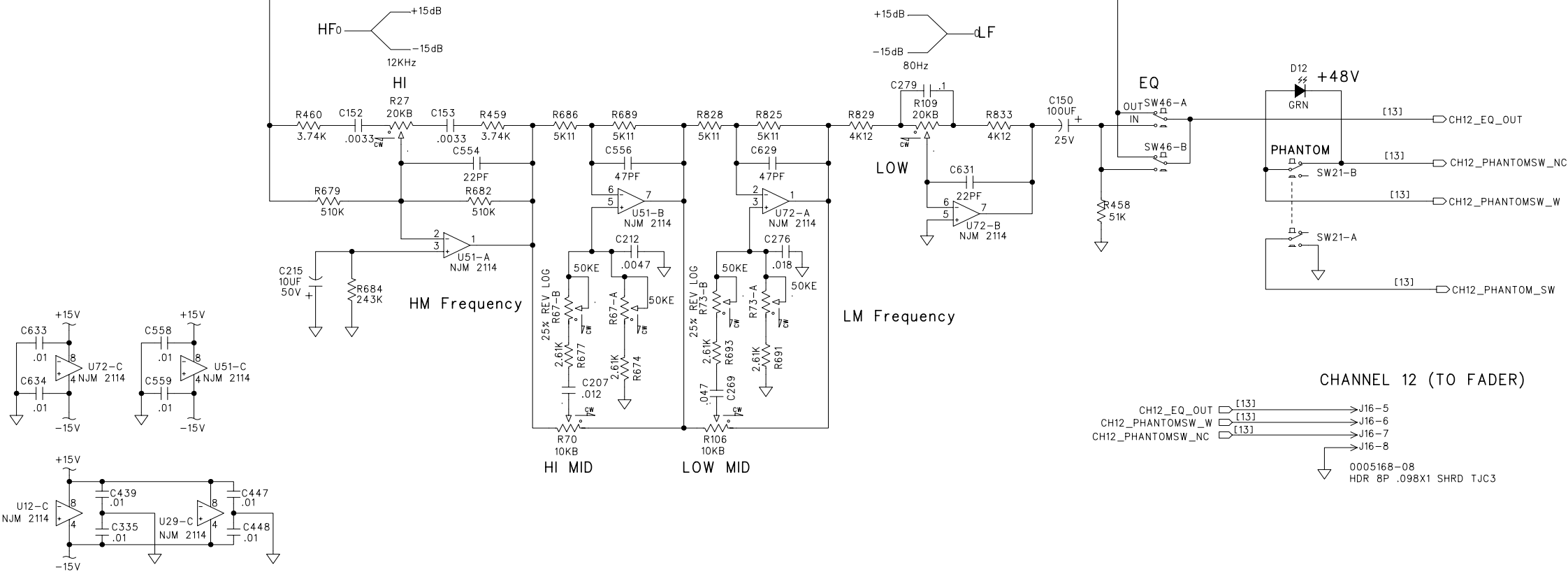
CHANNEL 12 (TO POD)

- J7-14 ← [13] CH12_TRS+
- J7-13 ← [13] CH12_TRS-
- J7-12 ← [13] CH12_EQ_IN
- J7-11 ← [13] CH12_DIRECT_OUT
- J7-10 ← [13] CH12_HPF_OUT
- J7-9 ← [13] CH12_PHANTOM_SW
- J7-8 ← [13]

0005168-14
HDR 14P .098X1 SHRD TJC3



CH12_EQ_IN [13]



CHANNEL 12 (TO FADER)

- CH12_EQ_OUT [13] → J16-5
- CH12_PHANTOMSW_W [13] → J16-6
- CH12_PHANTOMSW_NC [13] → J16-7
- J16-8

0005168-08
HDR 8P .098X1 SHRD TJC3

MACKIE
Mackie Designs Inc. Woodinville, Wa.

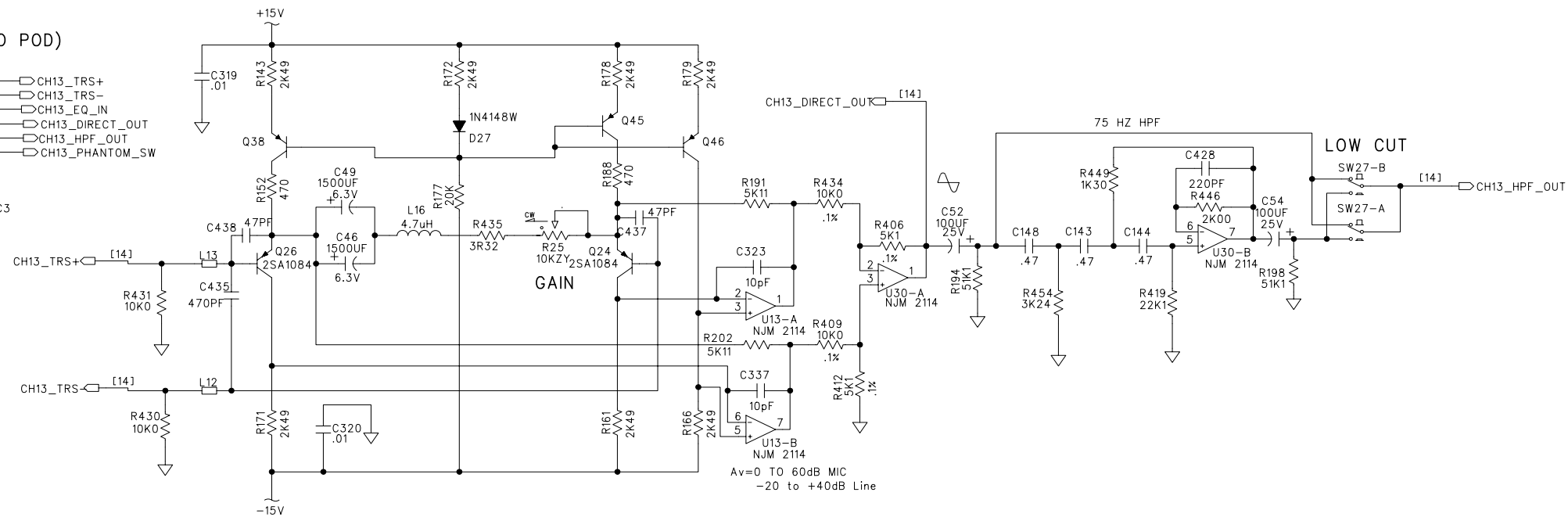
SCH0007961
REV. C00

SIZE: D SCALE: NONE DWG. NO. SCH0007961 REV. C00
DWG FILE: SHEET 13 OF 19

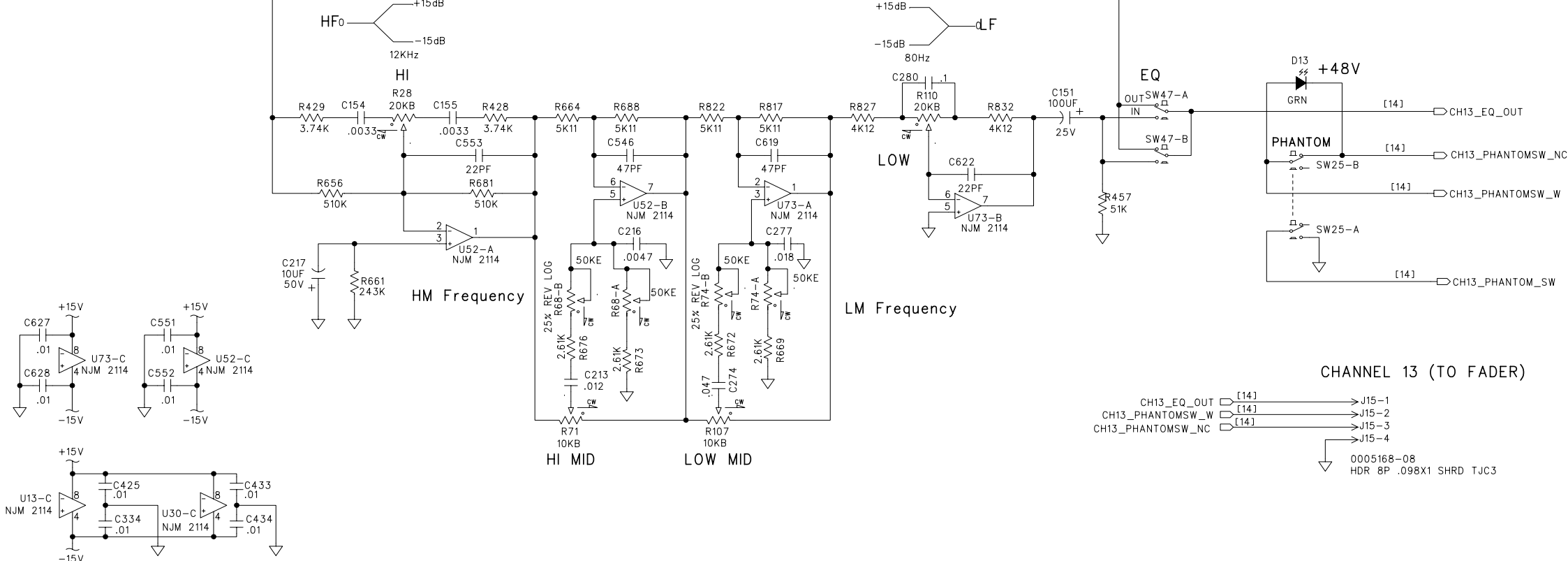
CHANNEL 13 (TO POD)

- J8-1 ← [14] CH13_TRS+
- J8-2 ← [14] CH13_TRS-
- J8-3 ← [14] CH13_EQ_IN
- J8-4 ← [14] CH13_DIRECT_OUT
- J8-5 ← [14] CH13_HPF_OUT
- J8-6 ← [14] CH13_PHANTOM_SW
- J8-7

0005168-14
HDR 14P .098X1 SHRD TJC3



CHANNEL 13 (TO FADER)



- CH13_EQ_OUT [14] → J15-1
- CH13_PHANTOMSW_W [14] → J15-2
- CH13_PHANTOMSW_NC [14] → J15-3

0005168-08
HDR 8P .098X1 SHRD TJC3

MACKIE
Mackie Designs Inc. Woodinville, Wa.

SCH0007961

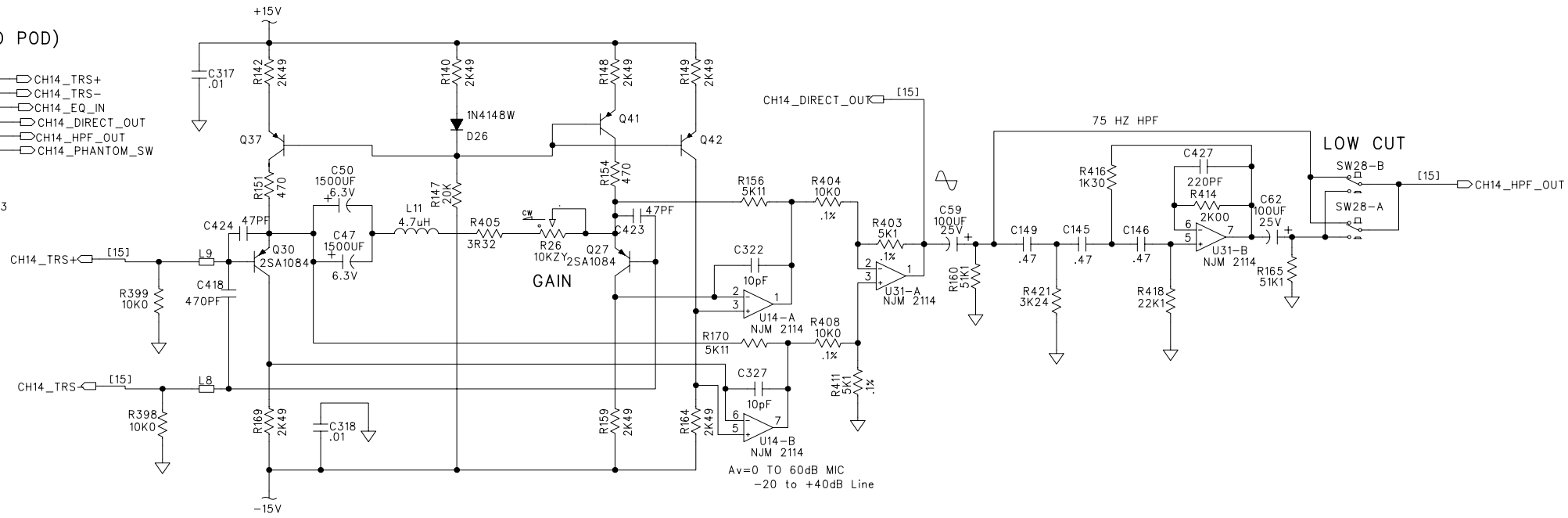
REV. C00

SHEET 14 OF 19

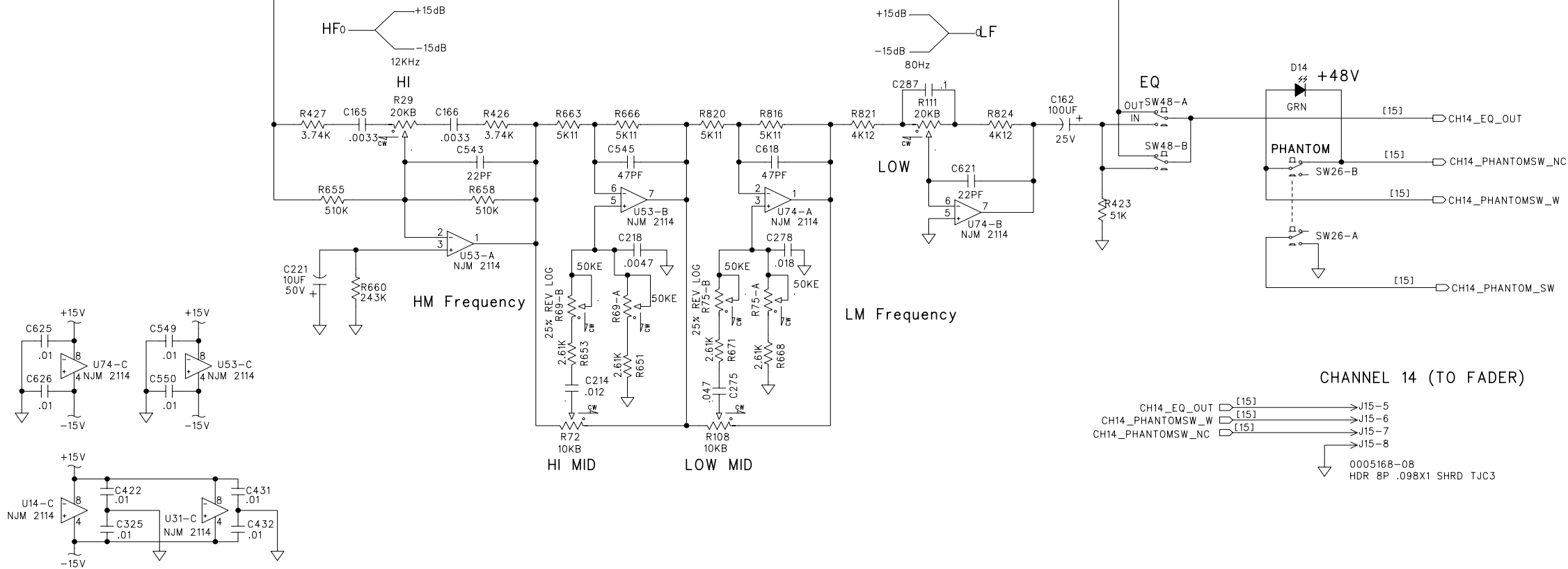
CHANNEL 14 (TO POD)

- J8-14 ← [15] CH14_TRS+
- J8-13 ← [15] CH14_TRS-
- J8-12 ← [15] CH14_EQ_IN
- J8-11 ← [15] CH14_DIRECT_OUT
- J8-10 ← [15] CH14_HPF_OUT
- J8-9 ← [15] CH14_PHANTOM_SW
- J8-8 ↓

0005168-14
HDR 14P .098X1 SHRD TJC3



CHANNEL 14 (TO FADER)



- CH14_EQ_OUT [15] → J15-5
 - CH14_PHANTOMSW_W [15] → J15-6
 - CH14_PHANTOMSW_NC [15] → J15-7
 - J15-8
- 0005168-08
HDR 8P .098X1 SHRD TJC3

MACKIE
Mackie Designs Inc. Woodinville, Wa.

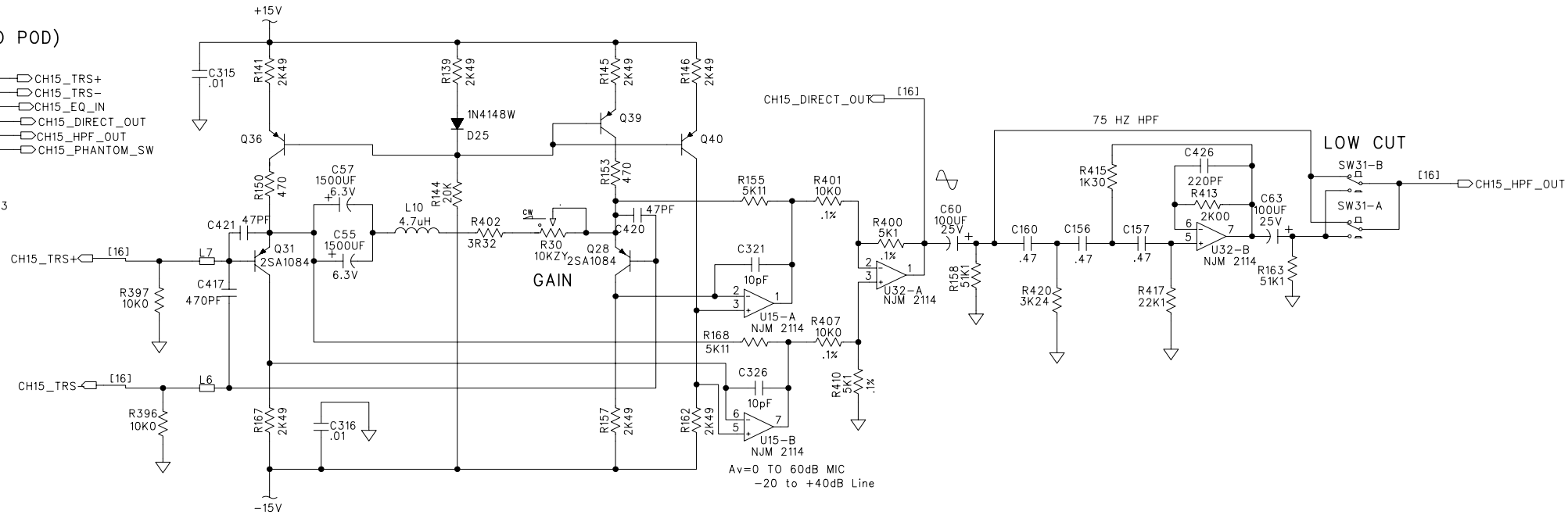
SCHMATIC, EQ, ONYX 1640
CHANNEL 14 PREAMP/EQ

SIZE: D	SCALE: NONE	DWG. NO.: SCH0007961	REV.: C00
DWG FILE:		SHEET 15 OF 19	

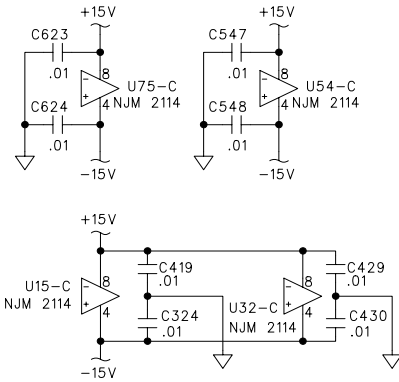
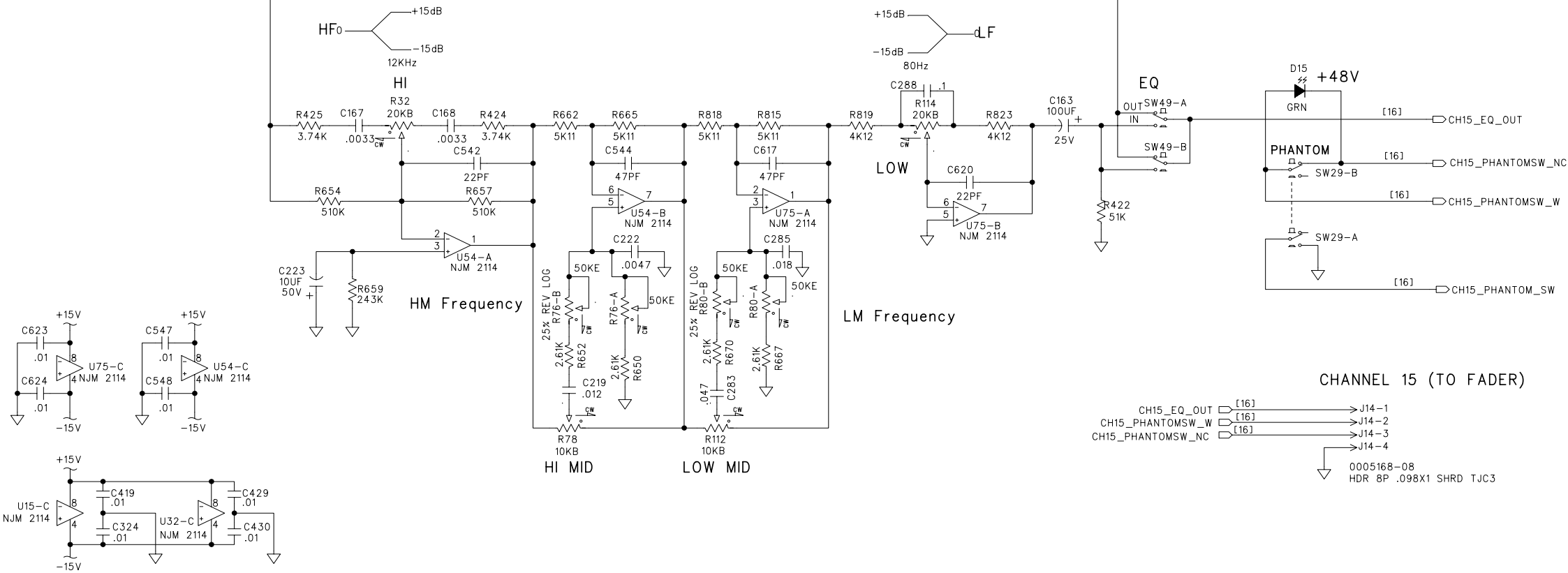
CHANNEL 15 (TO POD)

- J9-1 [16] CH15_TRS+
- J9-2 [16] CH15_TRS-
- J9-3 [16] CH15_EQ_IN
- J9-4 [16] CH15_DIRECT_OUT
- J9-5 [16] CH15_HPF_OUT
- J9-6 [16] CH15_PHANTOM_SW
- J9-7

0005168-14
HDR 14P .098X1 SHRD TJC3



CHANNEL 15 (TO FADER)



MACKIE
Mackie Designs Inc. Woodinville, Wa.

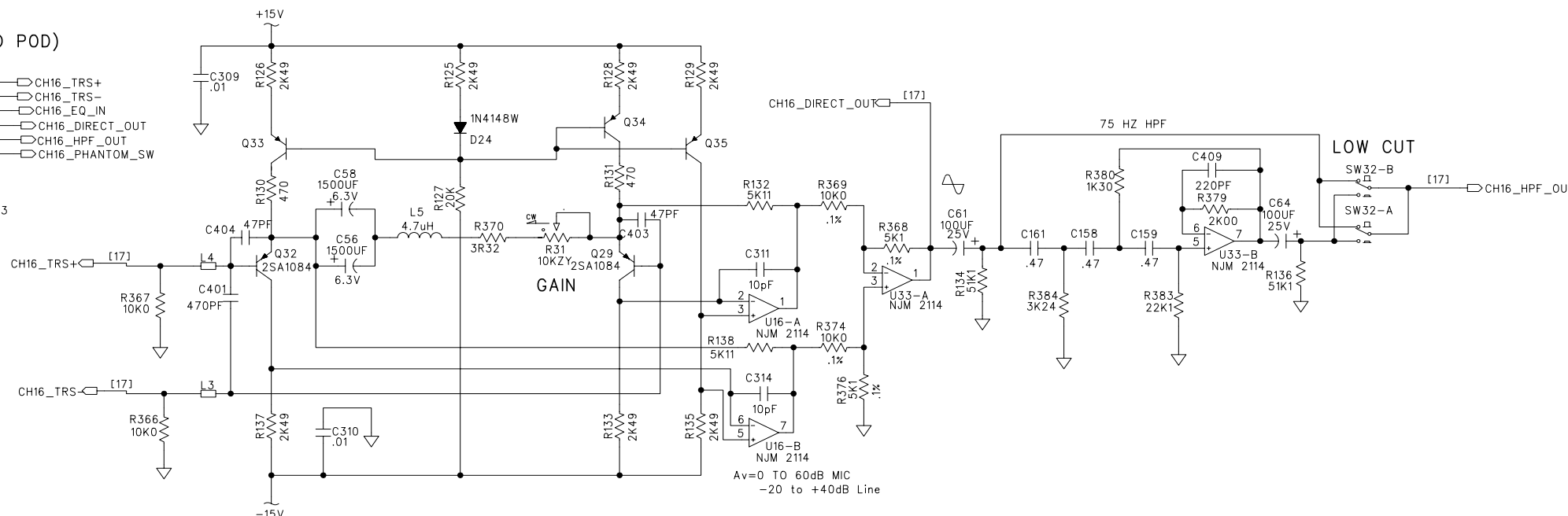
SCHMATIC, EQ, ONYX 1640
CHANNEL 15 PREAMP/EQ

SIZE: D	SCALE: NONE	DWG. NO.: SCH0007961	REV.: C00
DWG FILE:		SHEET 16 OF 19	

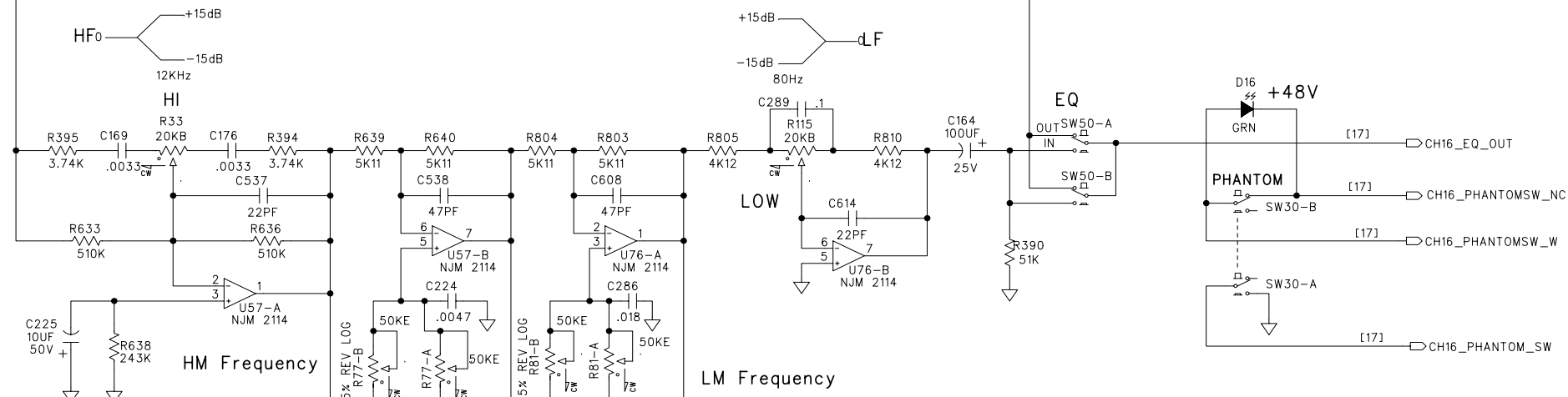
CHANNEL 16 (TO POD)

- J9-14 [17] CH16_TRS+
- J9-13 [17] CH16_TRS-
- J9-12 [17] CH16_EQ_IN
- J9-11 [17] CH16_DIRECT_OUT
- J9-10 [17] CH16_HPF_OUT
- J9-9 [17] CH16_PHANTOM_SW
- J9-8

0005168-14
HDR 14P .098X1 SHRD TJC3



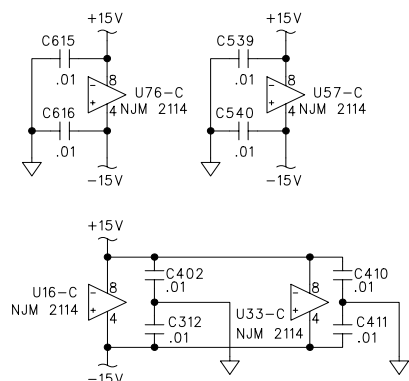
CH16_EQ_IN [17]



CHANNEL 16 (TO FADER)

- CH16_EQ_OUT [17] J14-5
- CH16_PHANTOMSW_W [17] J14-6
- CH16_PHANTOMSW_NC [17] J14-7
- J14-8

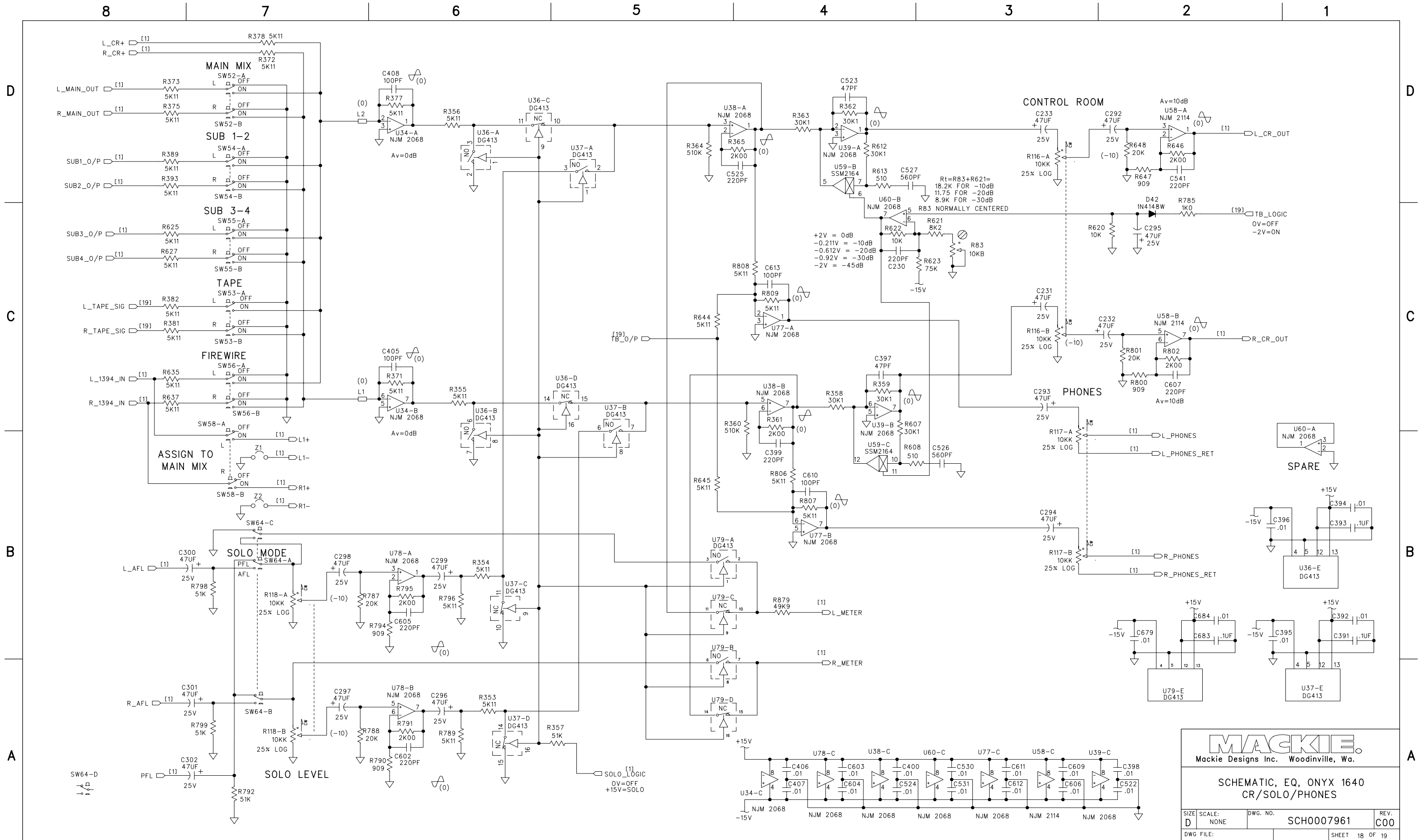
0005168-08
HDR 8P .098X1 SHRD TJC3



MACKIE
Mackie Designs Inc. Woodinville, Wa.

SCHMATIC, EQ, ONYX 1640
CHANNEL 16 PREAMP/EQ

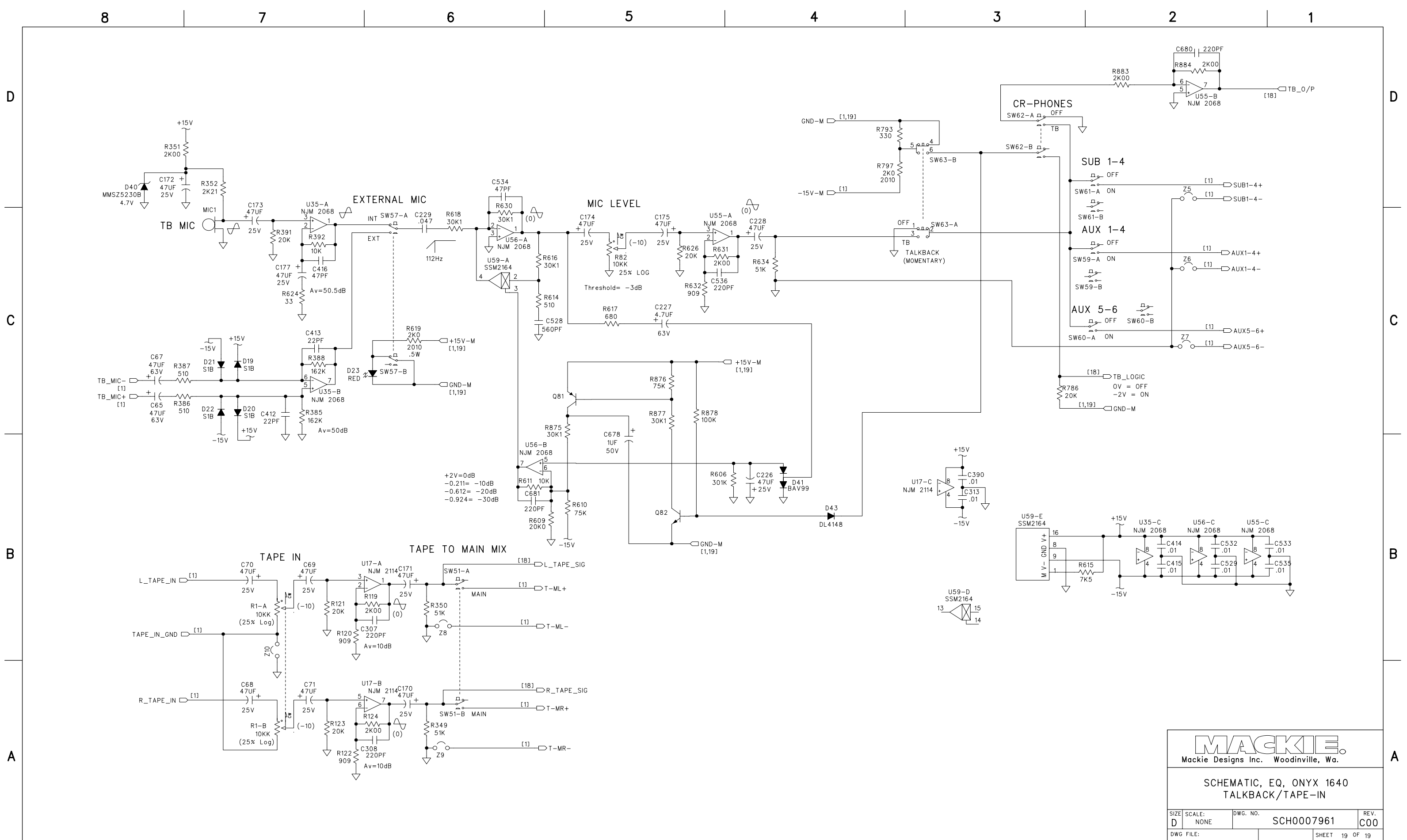
SIZE: D	SCALE: NONE	DWG. NO.: SCH0007961	REV. C00
DWG FILE:		SHEET 17 OF 19	



MACKIE
 Mackie Designs Inc. Woodinville, Wa.

SCH0007961
 CR/SOLO/PHONES

SIZE: D	SCALE: NONE	DWG. NO. SCH0007961	REV. C00
DWG FILE:		SHEET 18 OF 19	



MACKIE
Mackie Designs Inc. Woodinville, Wa.

SCHEMATIC, EQ, ONYX 1640
TALKBACK/TAPE-IN

SIZE: D	SCALE: NONE	DWG. NO.: SCH0007961	REV. C00
DWG. FILE:		SHEET 19 OF 19	