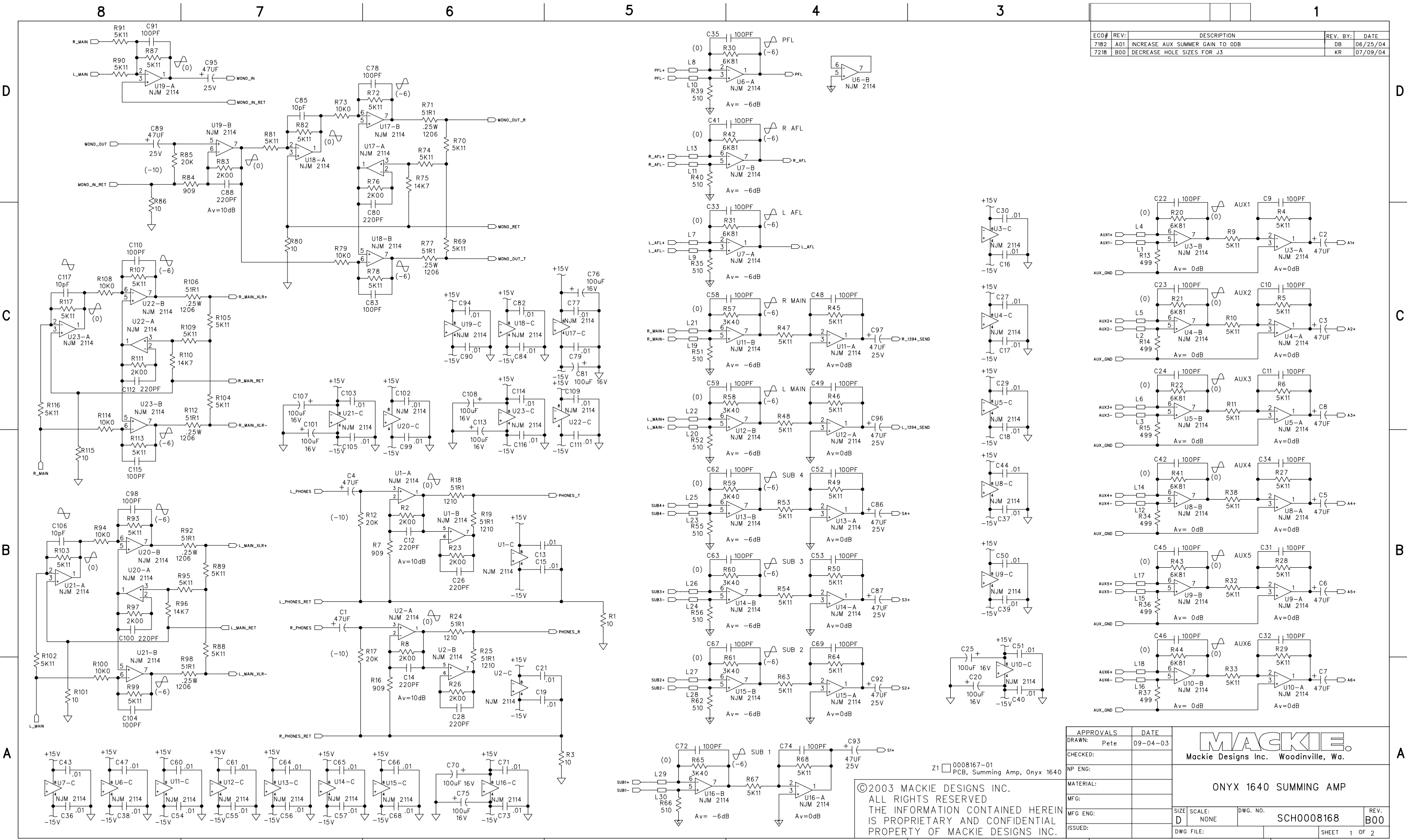


ECO#	REV.	DESCRIPTION	REV. BY.	DATE
7182	A01	INCREASE AUX SUMMER GAIN TO ODB	DB	06/25/04
7218	B00	DECREASE HOLE SIZES FOR J3	KR	07/09/04



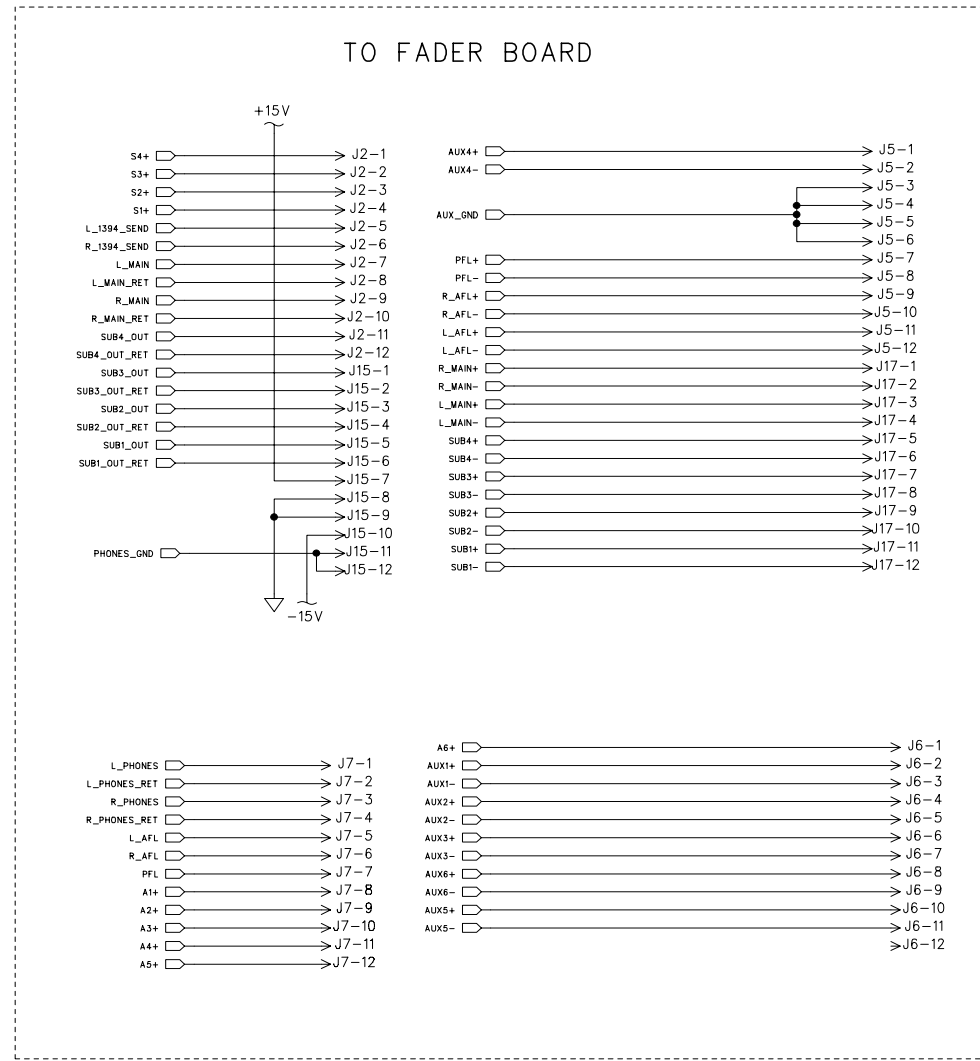
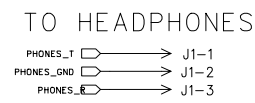
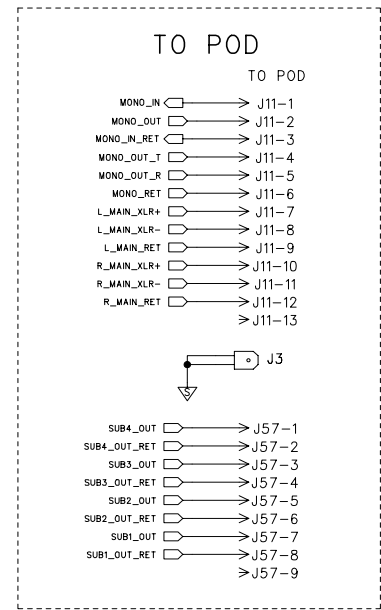
APPROVALS	DATE
Drawn: Pete	09-04-03
CHECKED:	
NP ENG:	
MATERIAL:	
MFG:	
MFG ENG:	
ISSUED:	

MACKIE
Mackie Designs Inc. Woodinville, Wa.

ONYX 1640 SUMMING AMP

SIZE: D	SCALE: NONE	DWG. NO. SCH0008168	REV. B00
DWG FILE:		SHEET 1 OF 2	

©2003 MACKIE DESIGNS INC.
ALL RIGHTS RESERVED
THE INFORMATION CONTAINED HEREIN
IS PROPRIETARY AND CONFIDENTIAL
PROPERTY OF MACKIE DESIGNS INC.



MACKIE
Mackie Designs Inc. Woodinville, Wa.

ONYX 1640
SUMMING AMP

SIZE	SCALE:	DWG. NO.	REV.
D	NONE	SCH0008168	B00
DWG FILE:		SHEET 2 OF 2	