

7

6

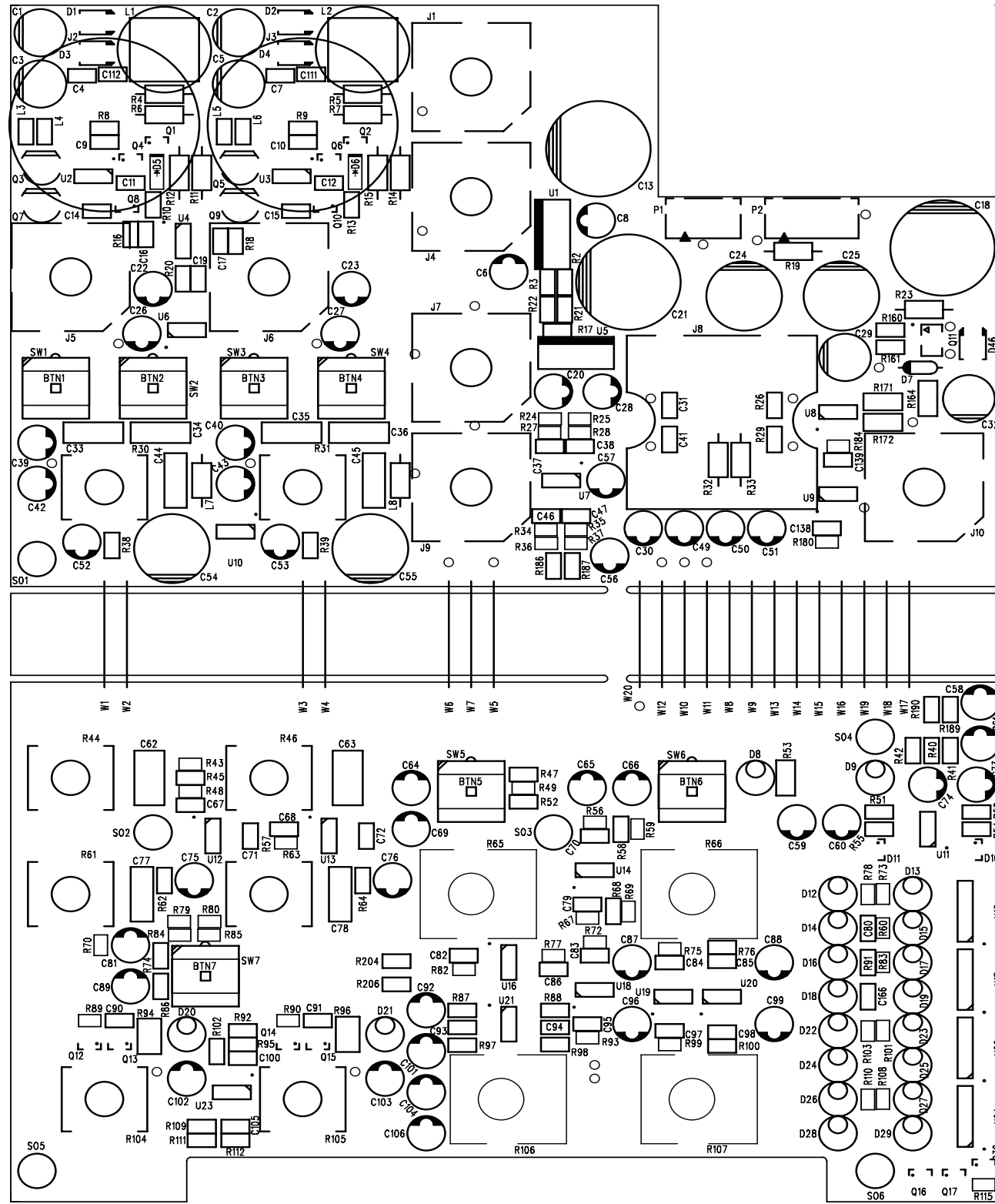
5

4

3


1

ASSEMBLY TOP



LOUD TECHNOLOGIES INC. 0027004-00 REV:A00

©2007 LOUD TECHNOLOGIES INC.
 ALL RIGHTS RESERVED
 THE INFORMATION CONTAINED HEREIN
 IS PROPRIETARY AND CONFIDENTIAL
 PROPERTY OF LOUD TECHNOLOGIES INC.

UNLESS OTHERWISE SPECIFIED DIMENSIONS ARE IN INCHES TOLERANCES ARE: FRACTIONS: DECIMALS: ANGLES: ± NA .XX ± NA ± NA .XXX ± NA	APPROVALS	DATE	 LOUD Technologies Inc. 16220 WOOD-RED RD NE WOODINVILLE, WA 98072
	DRAWN: KR	7-31-07	
MATERIAL:	CHECKED:	MP ENGINEERING:	PCB ASSY, 402 VLZ3
FINISH:	MANUFACTURING:	MFG ENGINEERING:	
DO NOT SCALE DRAWING	ISSUED:	SIZE SCALE:	DWG. NO. 0027005-00 REV. AXX
		DWG FILE:	SHEET 1 OF 2

7

6

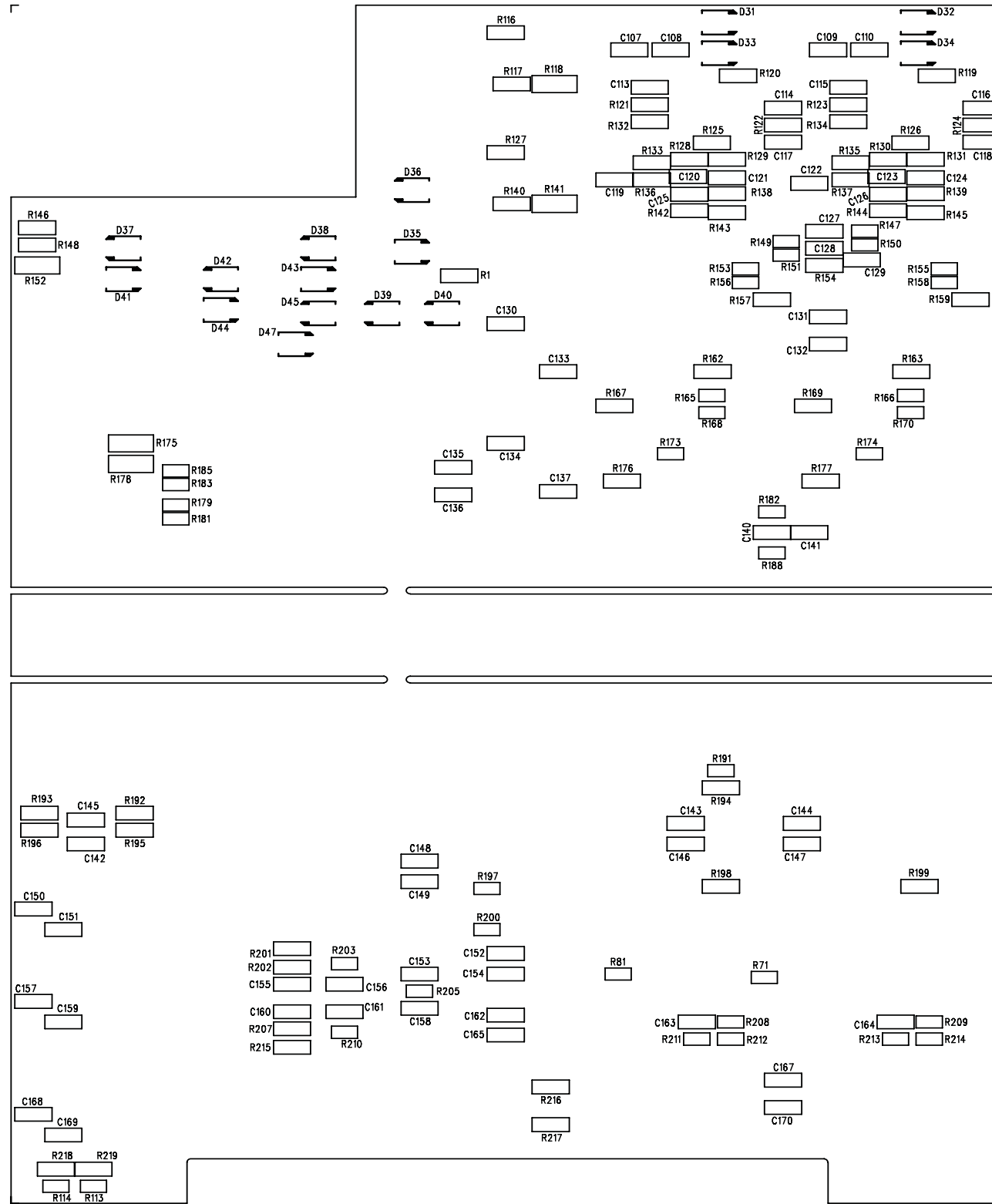
5

4

3


1

ASSEMBLY BOTTOM



LOUD TECHNOLOGIES INC. 0027005-00 REV:000

©2007 LOUD TECHNOLOGIES INC.
 ALL RIGHTS RESERVED
 THE INFORMATION CONTAINED HEREIN
 IS PROPRIETARY AND CONFIDENTIAL
 PROPERTY OF LOUD TECHNOLOGIES INC.

UNLESS OTHERWISE SPECIFIED DIMENSIONS ARE IN INCHES TOLERANCES ARE: FRACTIONS: DECIMALS: ANGLES: \pm NA .XX \pm NA \pm NA \pm NA .XXX \pm NA	APPROVALS	DATE	 LOUD Technologies Inc. <small>16220 WOOD-RED RD NE WOODINVILLE, WA 98072</small>	
	DRAWN:			
	CHECKED:			
	MP ENGINEERING:			
	MATERIAL:			
FINISH:	MANUFACTURING:		PCB ASSY, 402 VLZ3	
DO NOT SCALE DRAWING	ISSUED:			
	SIZE	SCALE:	DWG. NO.	REV.
			0027005-00	AXX
	DWG FILE:			SHEET 2 OF 2

7

6

5

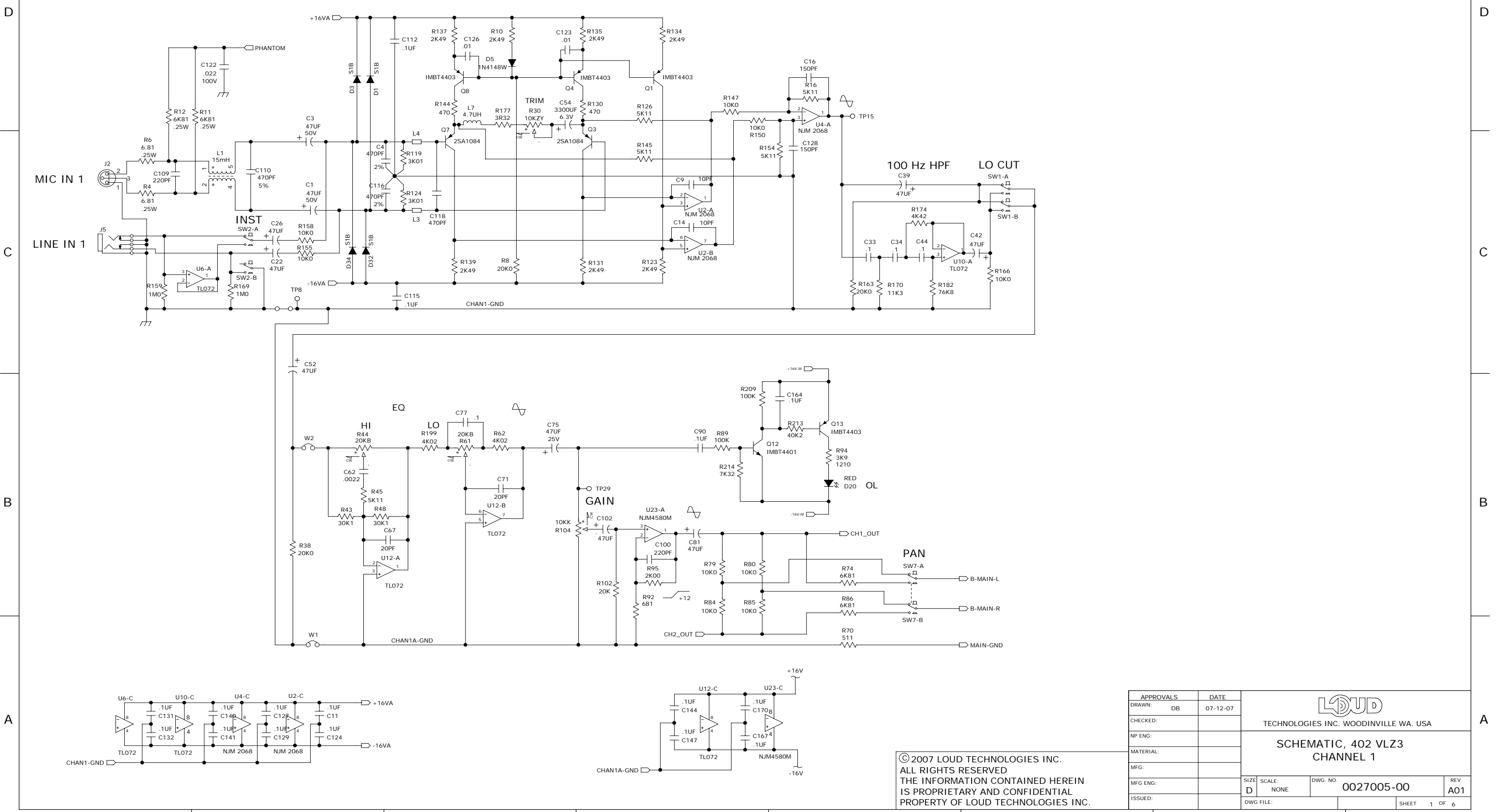
4

3

2


1

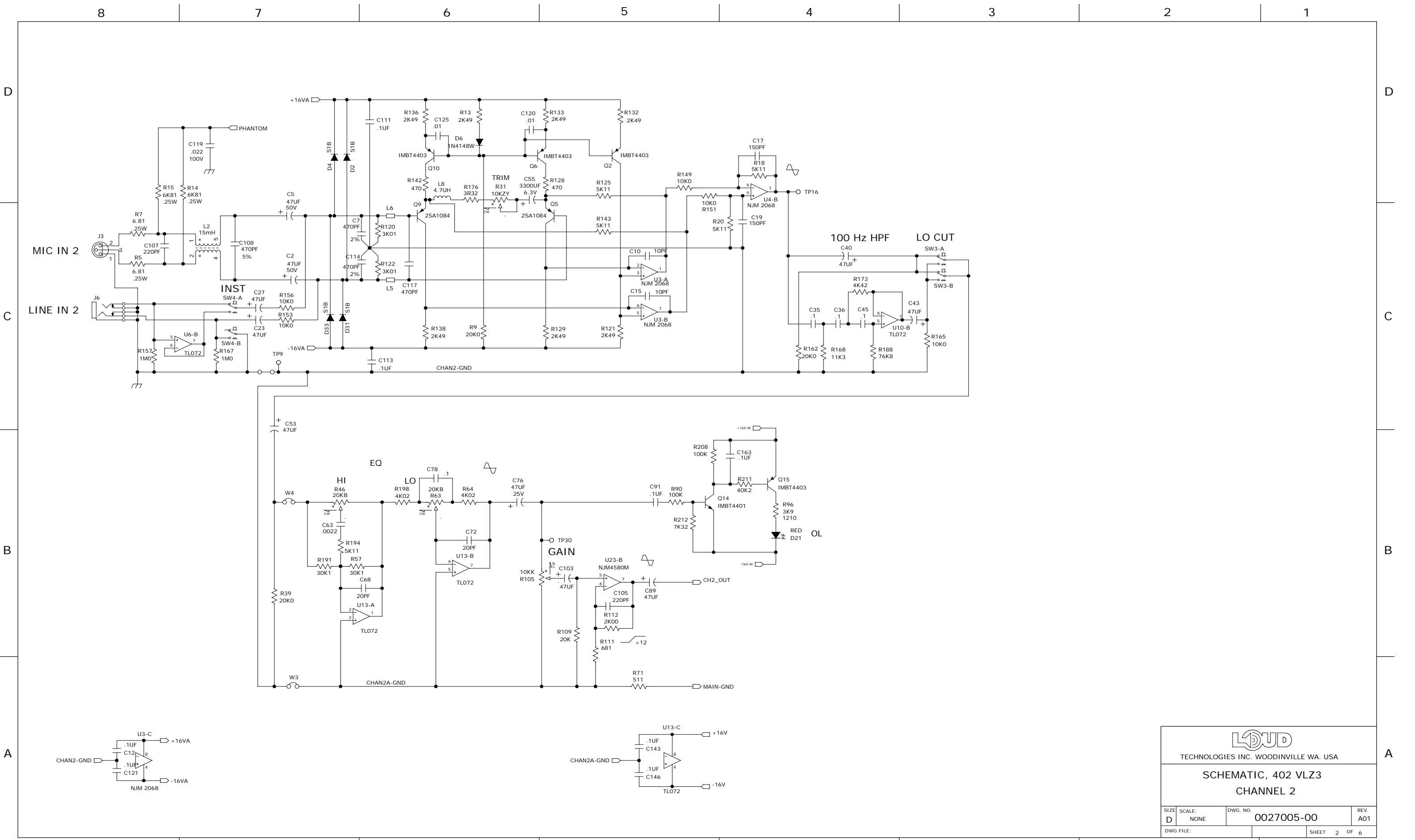
ECO#	REV.	DESCRIPTION	REV. BY:	APP. BY:	DATE



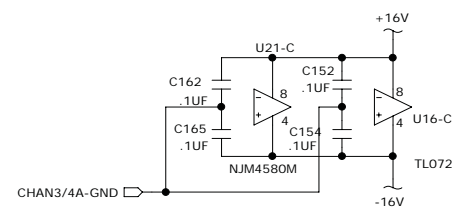
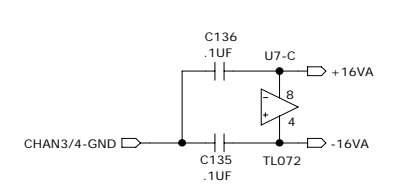
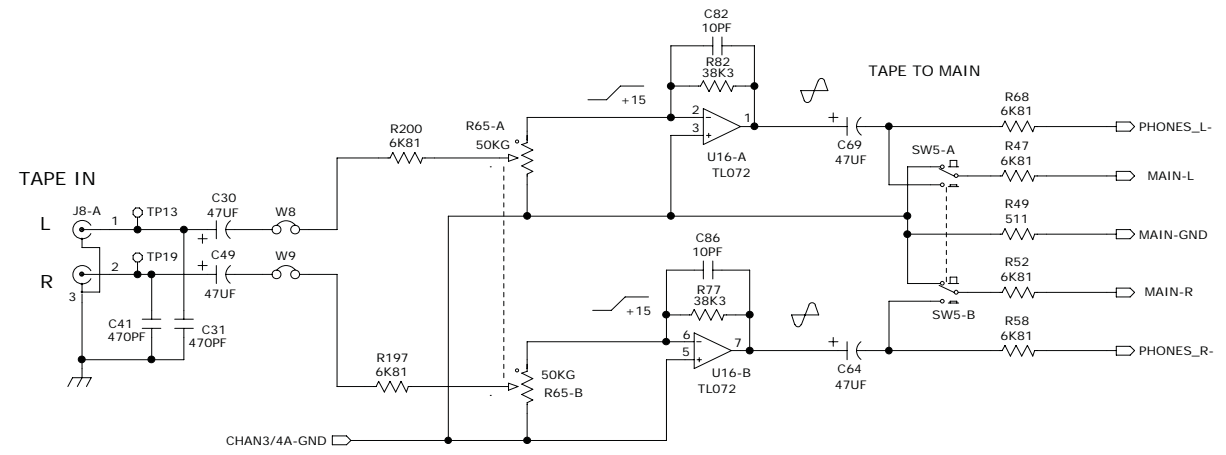
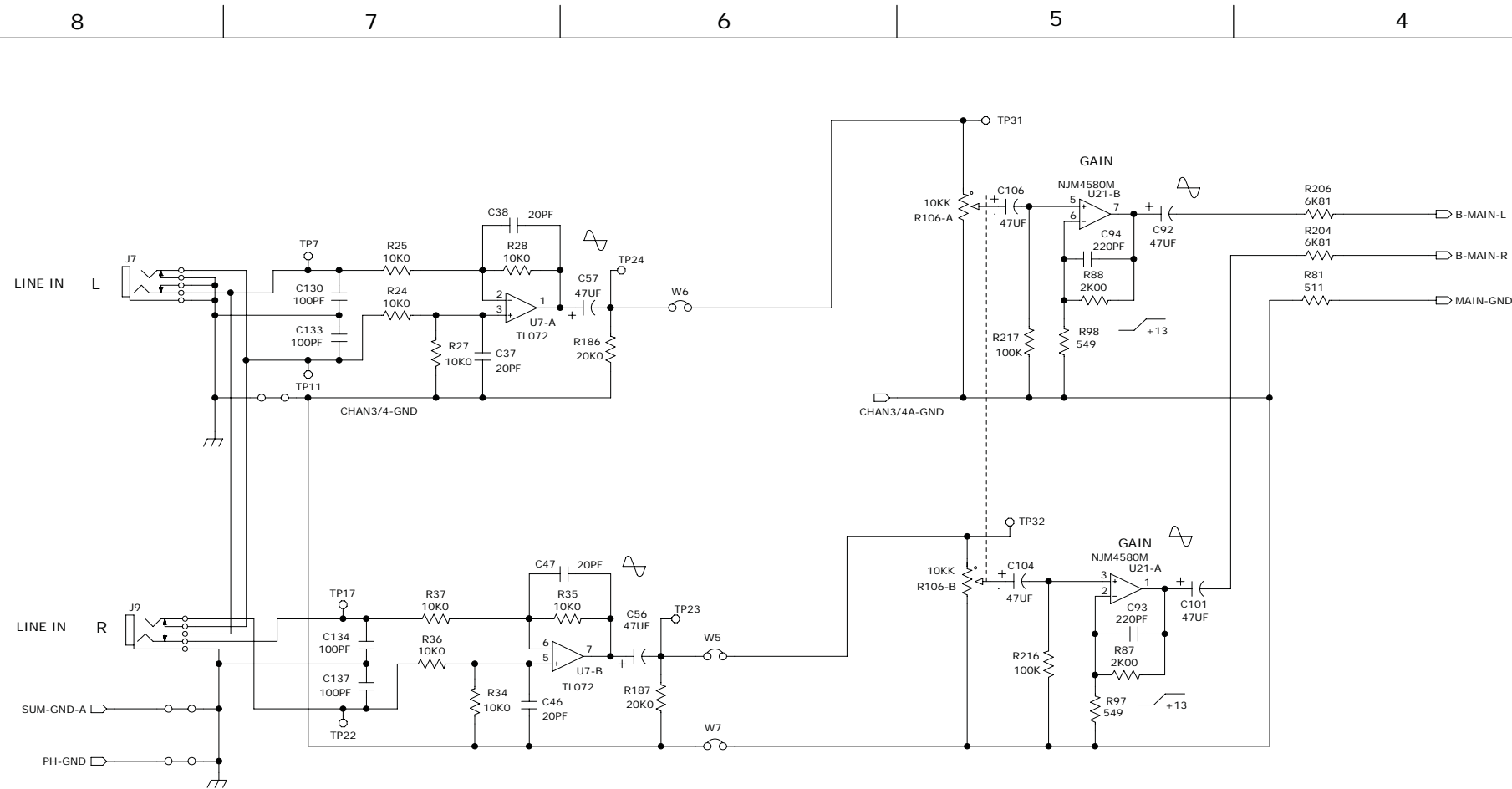
© 2007 LOUD TECHNOLOGIES INC.
 ALL RIGHTS RESERVED
 THE INFORMATION CONTAINED HEREIN
 IS PROPRIETARY AND CONFIDENTIAL
 PROPERTY OF LOUD TECHNOLOGIES INC.

APPROVALS		DATE
DRAWN: DB		07-12-07
CHECKED:		
MP ENG:		
MATERIAL:		
MFG:		
MFG ENG:		
ISSUED:		

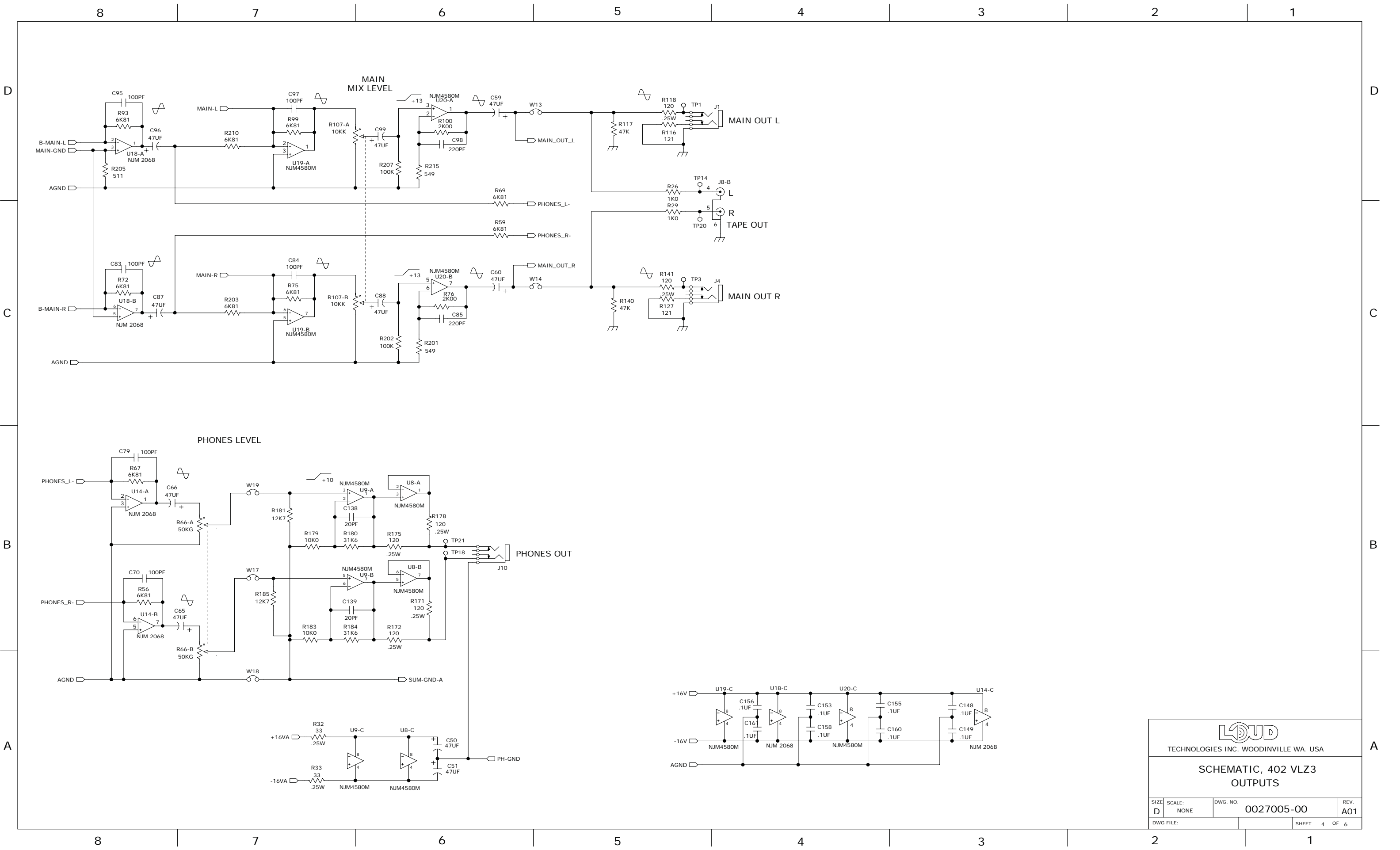
 TECHNOLOGIES INC. WOODINVILLE WA. USA		
SCHEMATIC, 402 VLZ3 CHANNEL 1		
SIZE: D	SCALE: NONE	DWG. NO. 0027005-00
		REV. A01
DWG FILE:		SHEET 1 OF 6



 TECHNOLOGIES INC. WOODINVILLE WA. USA			
SCHEMATIC, 402 VLZ3 CHANNEL 2			
SIZE: D	SCALE: NONE	DWG. NO. 0027005-00	REV. A01
DWG FILE:		SHEET 2 OF 6	



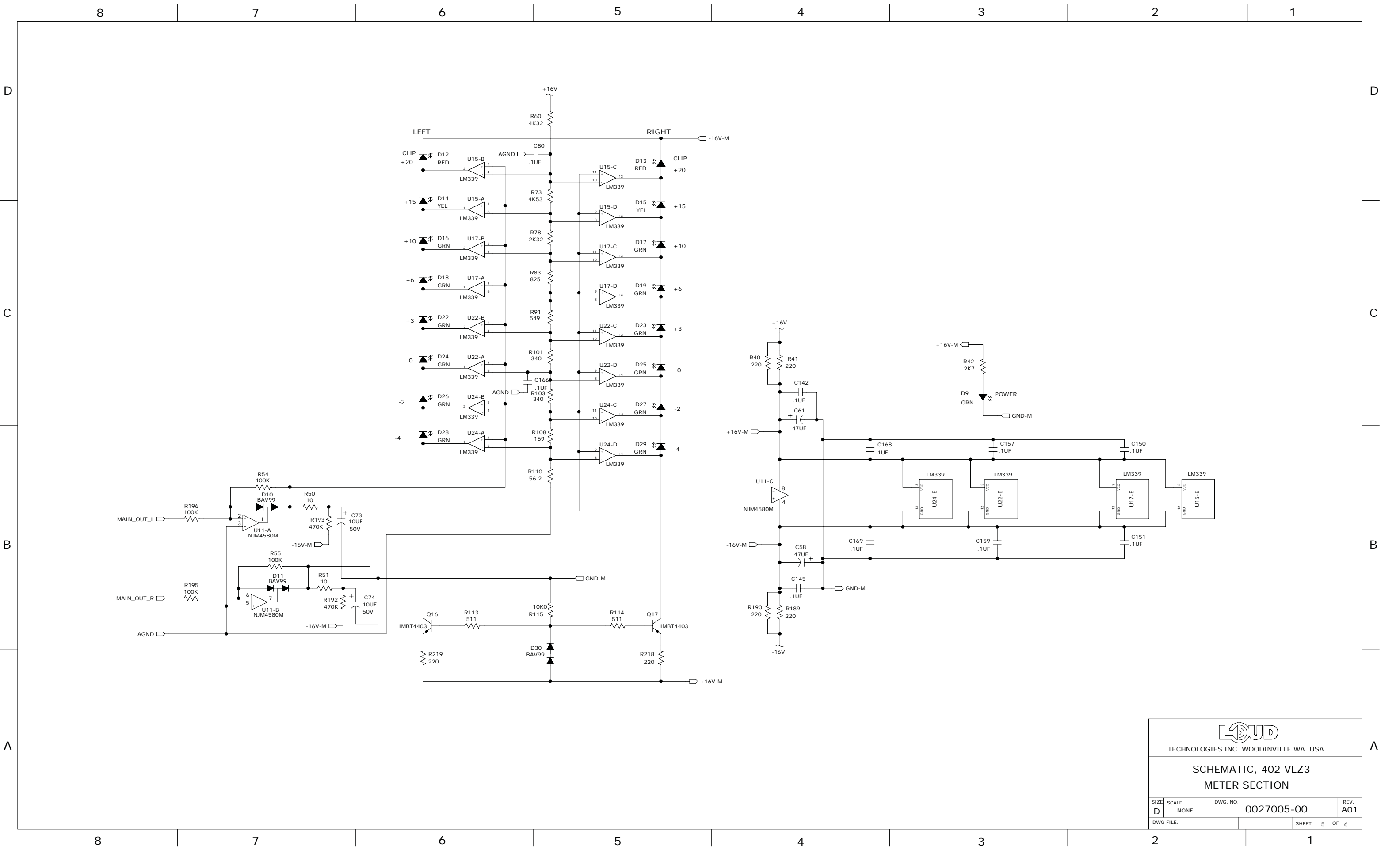
 TECHNOLOGIES INC. WOODINVILLE WA. USA			
SCHEMATIC, 402 VLZ3 CHANNELS 3/4			
SIZE: D	SCALE: NONE	DWG. NO. 0027005-00	REV. A01
DWG FILE:		SHEET 3 OF 6	



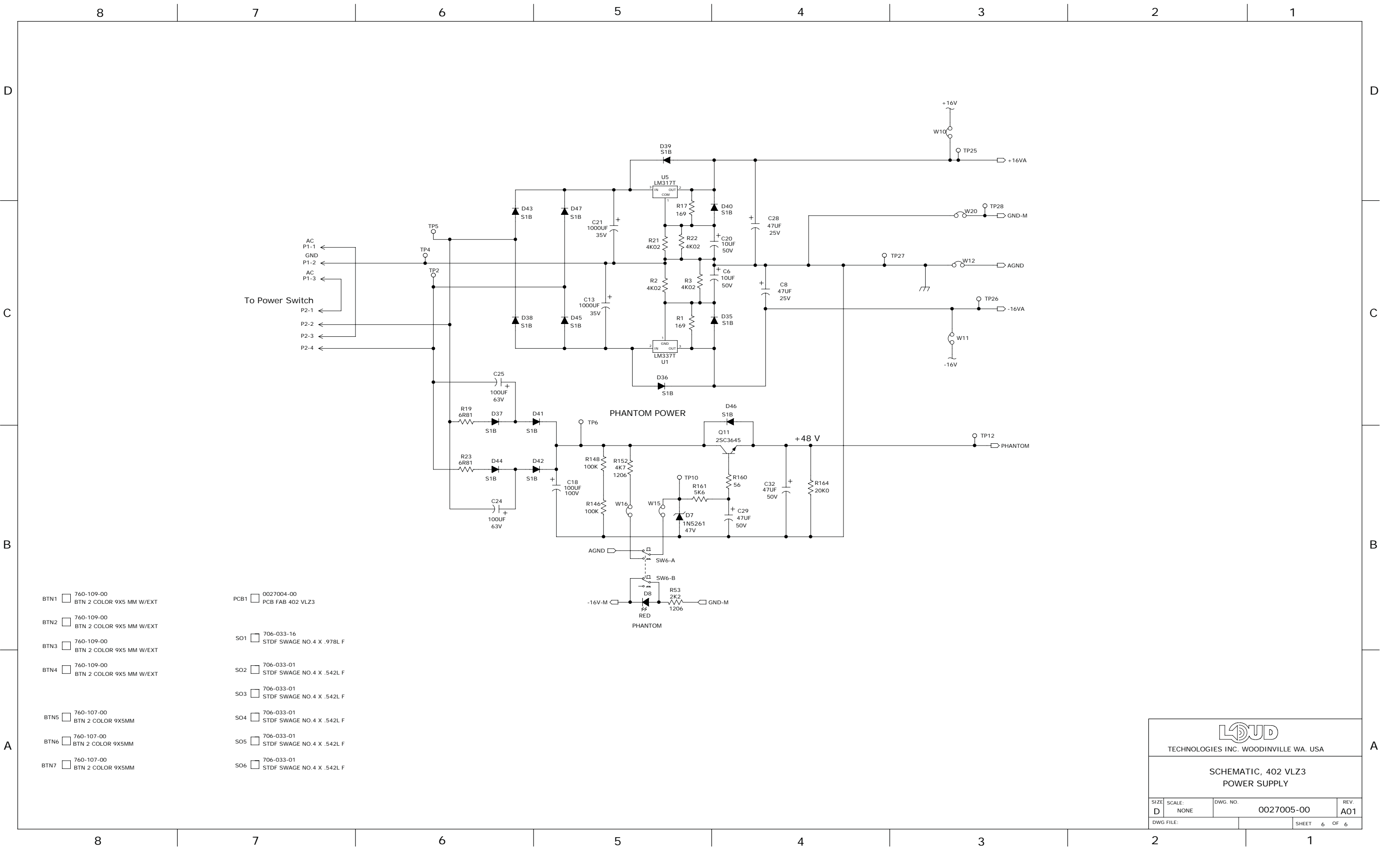
LOUD
TECHNOLOGIES INC. WOODINVILLE WA. USA

**SCHEMATIC, 402 VLZ3
OUTPUTS**

SIZE: D	SCALE: NONE	DWG. NO. 0027005-00	REV. A01
DWG FILE:		SHEET 4 OF 6	



 TECHNOLOGIES INC. WOODINVILLE WA. USA			
SCHEMATIC, 402 VLZ3 METER SECTION			
SIZE: D	SCALE: NONE	DWG. NO. 0027005-00	REV. A01
DWG FILE:		SHEET 5 OF 6	



- BTN1 760-109-00
BTN 2 COLOR 9X5 MM W/EXT
- BTN2 760-109-00
BTN 2 COLOR 9X5 MM W/EXT
- BTN3 760-109-00
BTN 2 COLOR 9X5 MM W/EXT
- BTN4 760-109-00
BTN 2 COLOR 9X5 MM W/EXT
- BTN5 760-107-00
BTN 2 COLOR 9X5MM
- BTN6 760-107-00
BTN 2 COLOR 9X5MM
- BTN7 760-107-00
BTN 2 COLOR 9X5MM
- PCB1 0027004-00
PCB FAB 402 VLZ3
- SO1 706-033-16
STDF SWAGE NO.4 X .978L F
- SO2 706-033-01
STDF SWAGE NO.4 X .542L F
- SO3 706-033-01
STDF SWAGE NO.4 X .542L F
- SO4 706-033-01
STDF SWAGE NO.4 X .542L F
- SO5 706-033-01
STDF SWAGE NO.4 X .542L F
- SO6 706-033-01
STDF SWAGE NO.4 X .542L F

TECHNOLOGIES INC. WOODINVILLE WA. USA			
SCHEMATIC, 402 VLZ3 POWER SUPPLY			
SIZE D	SCALE: NONE	DWG. NO. 0027005-00	REV. A01
DWG FILE:		SHEET 6 OF 6	