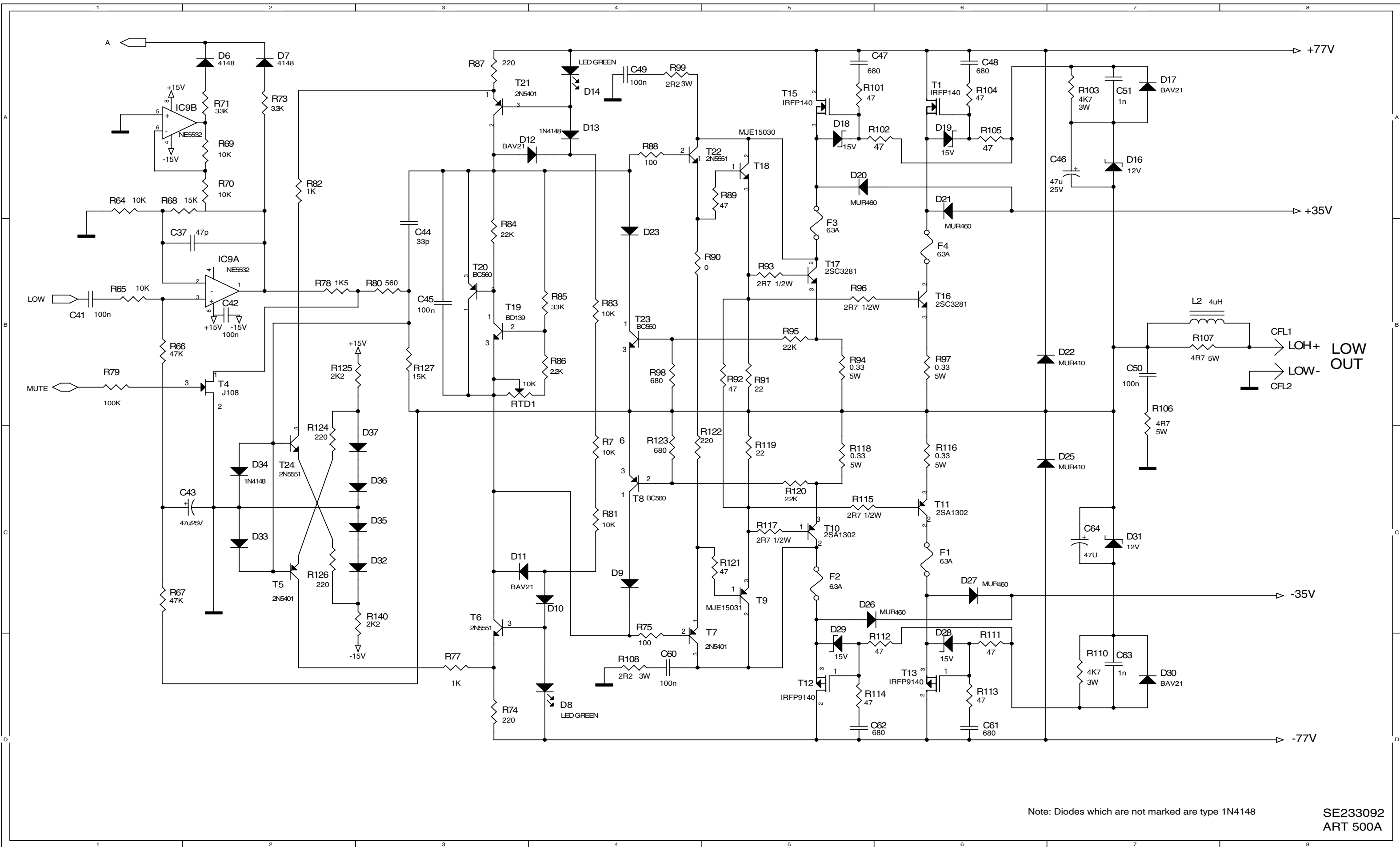
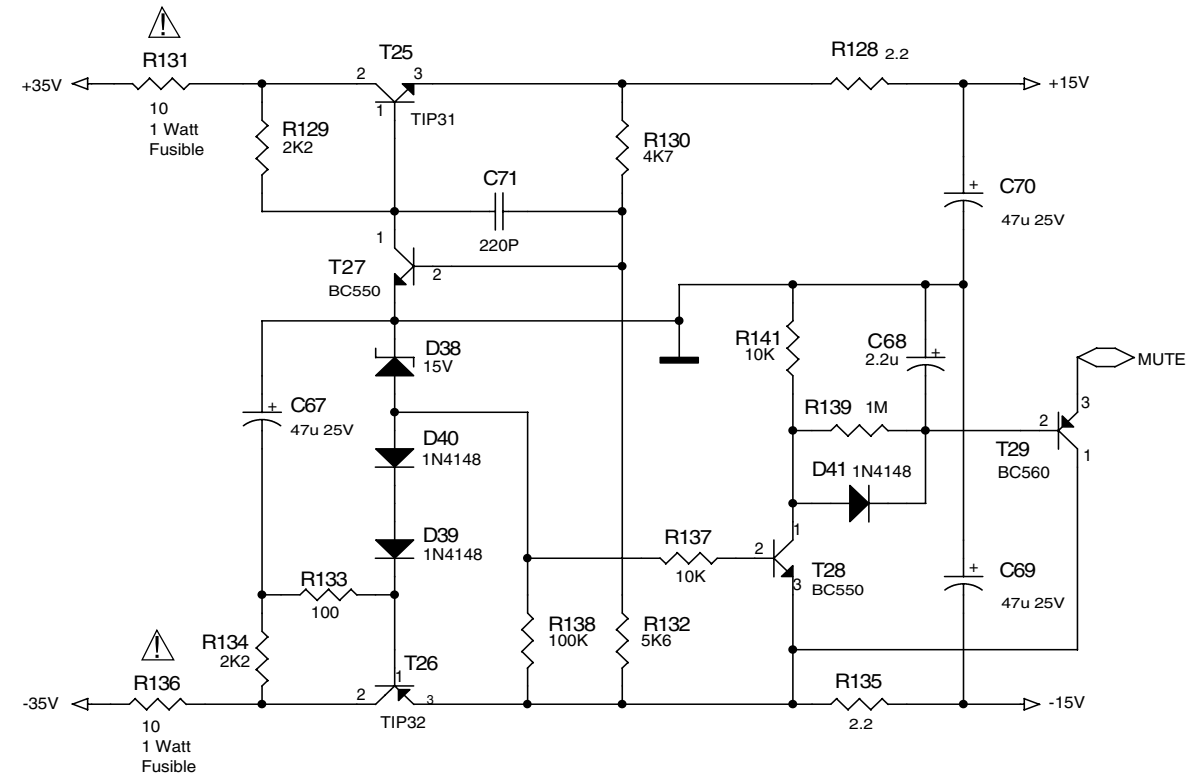
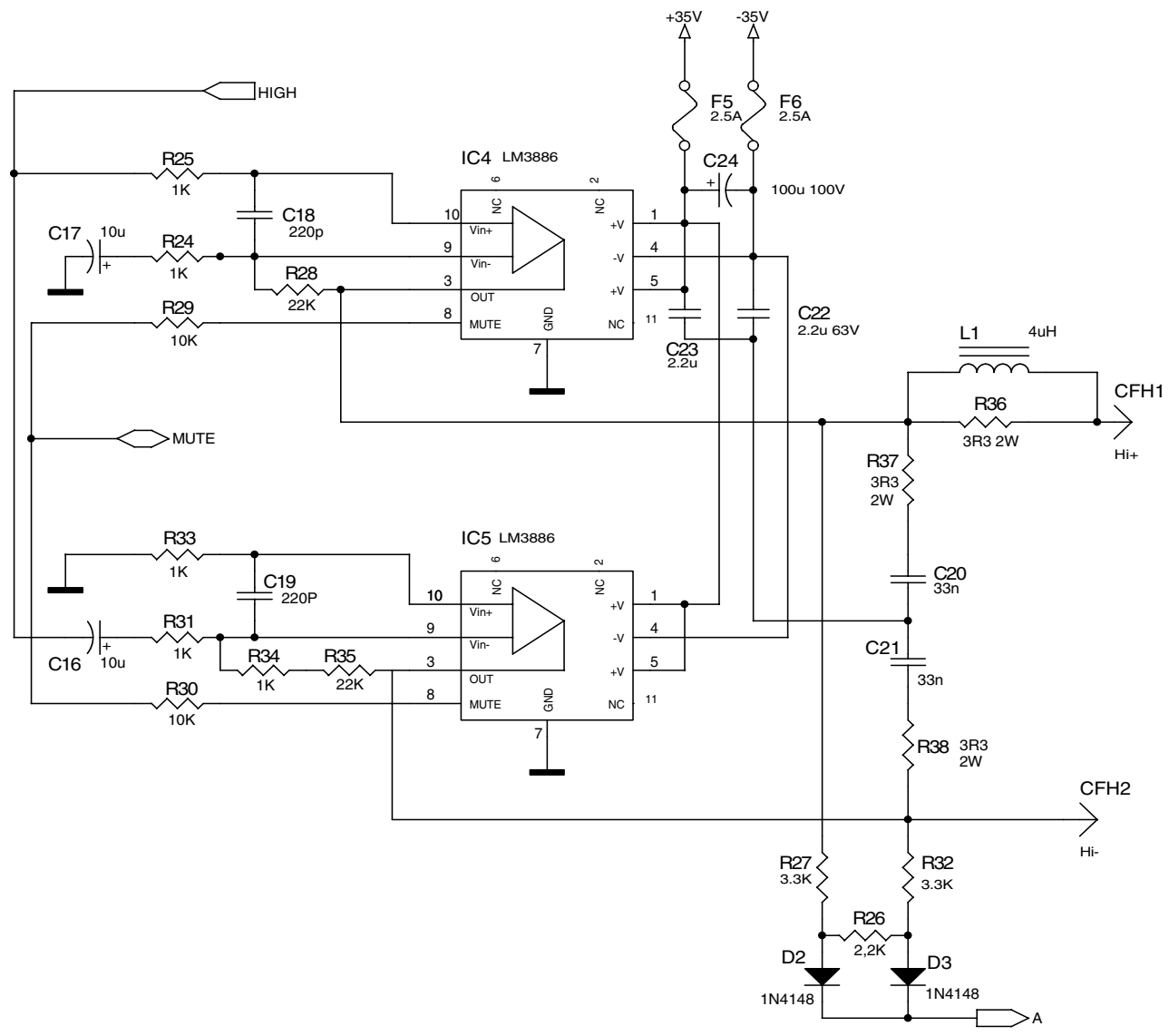
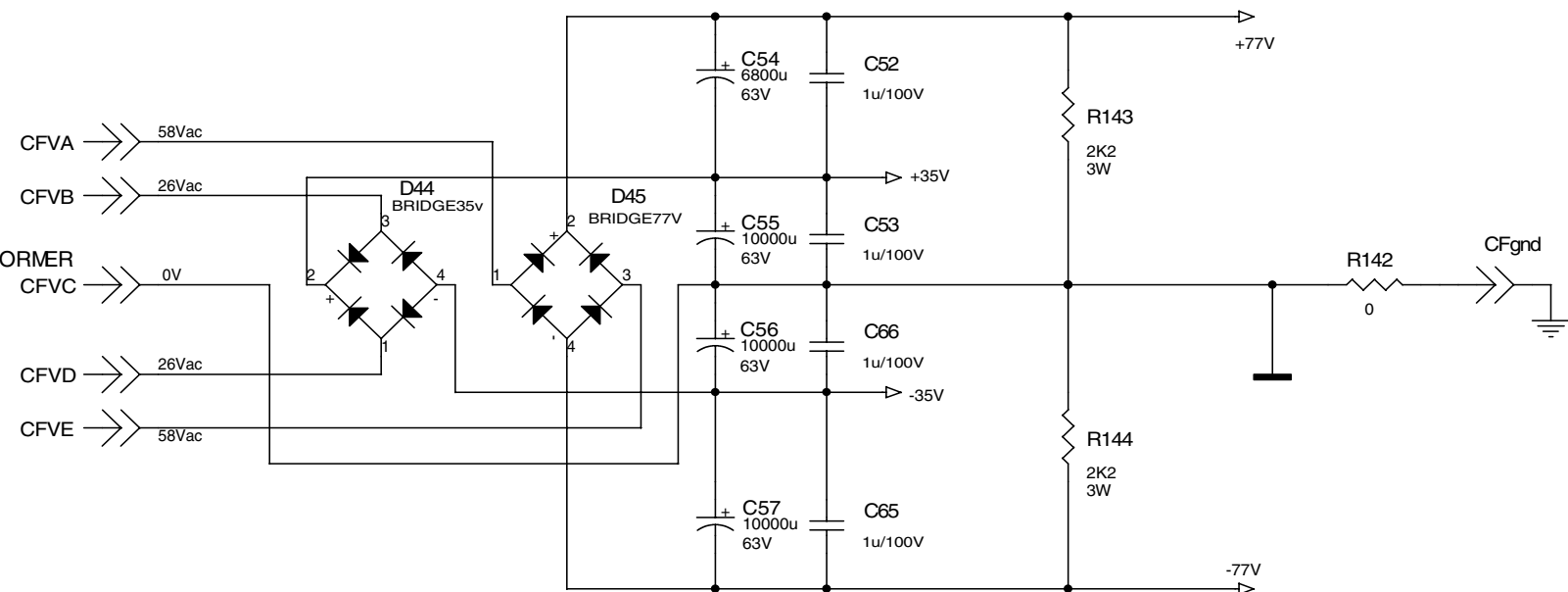
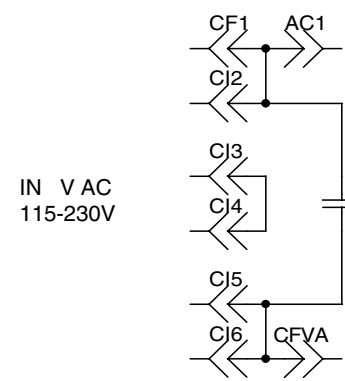


Note: Diodes which are not marked are type 1N4148
 SE233092
 ART500A



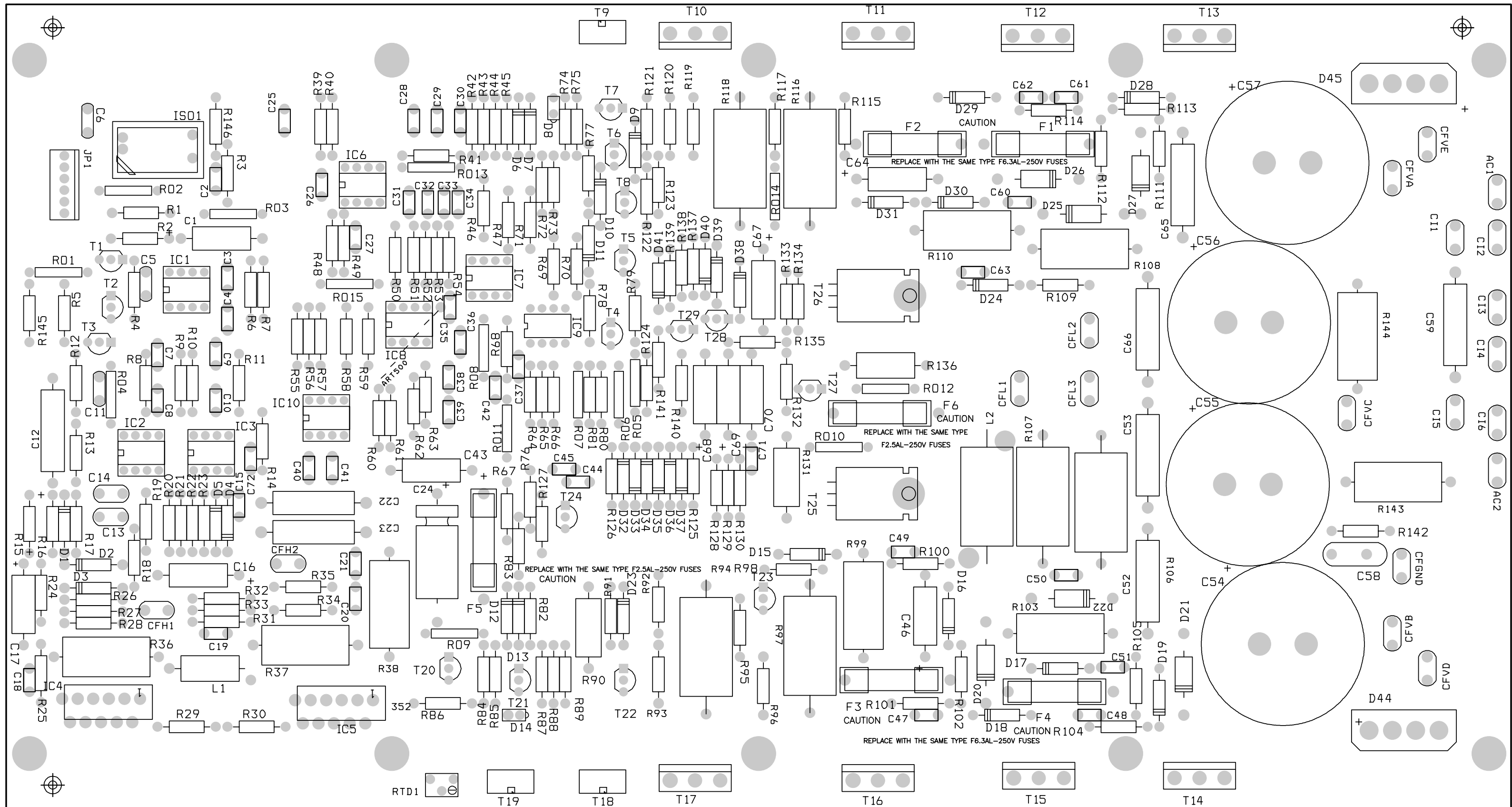
Note: Diodes which are not marked are type 1N4148

SE233092
ART 500A



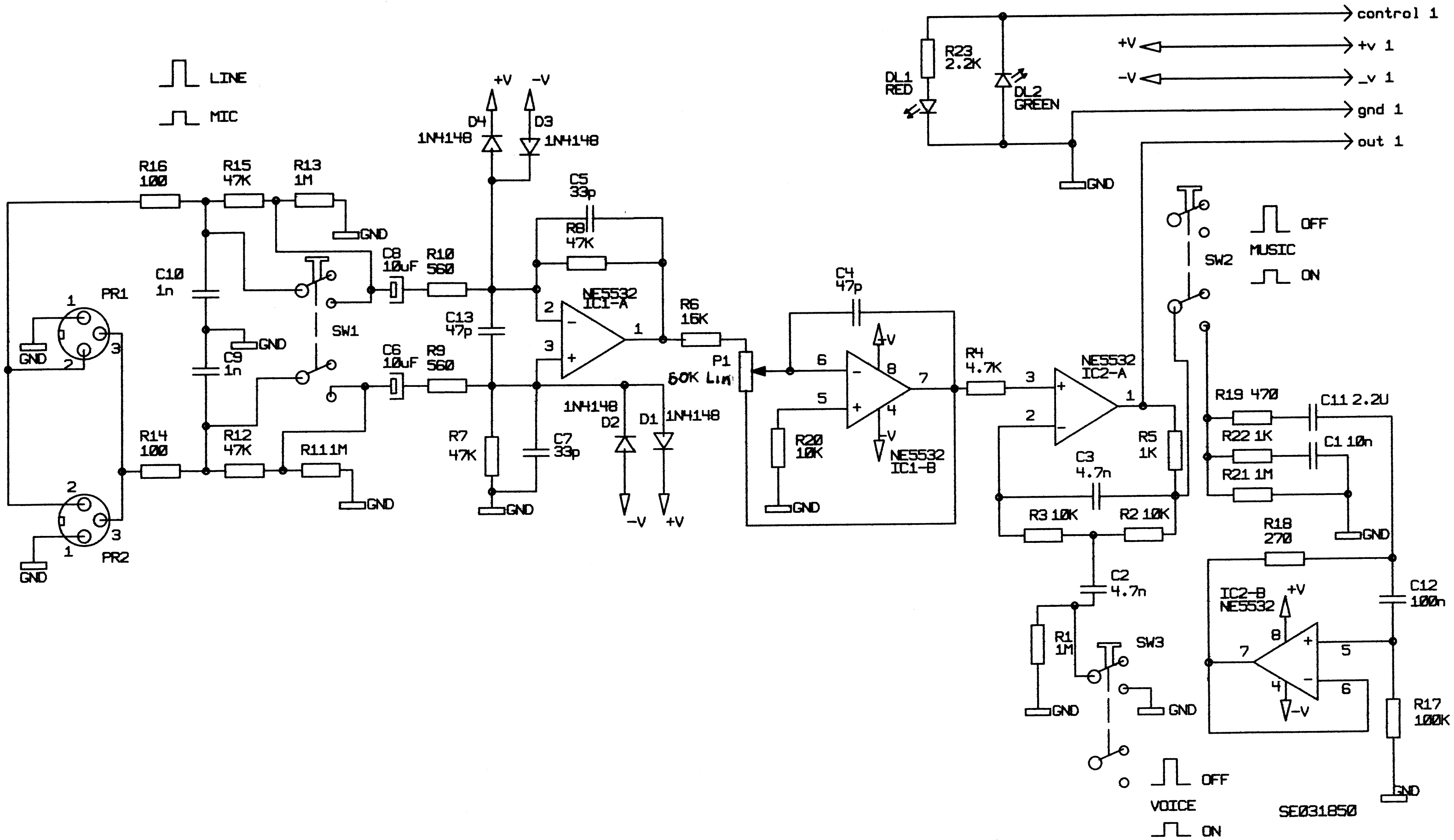
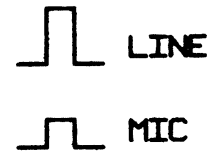
Note: Diodes which are not marked are type 1N4148

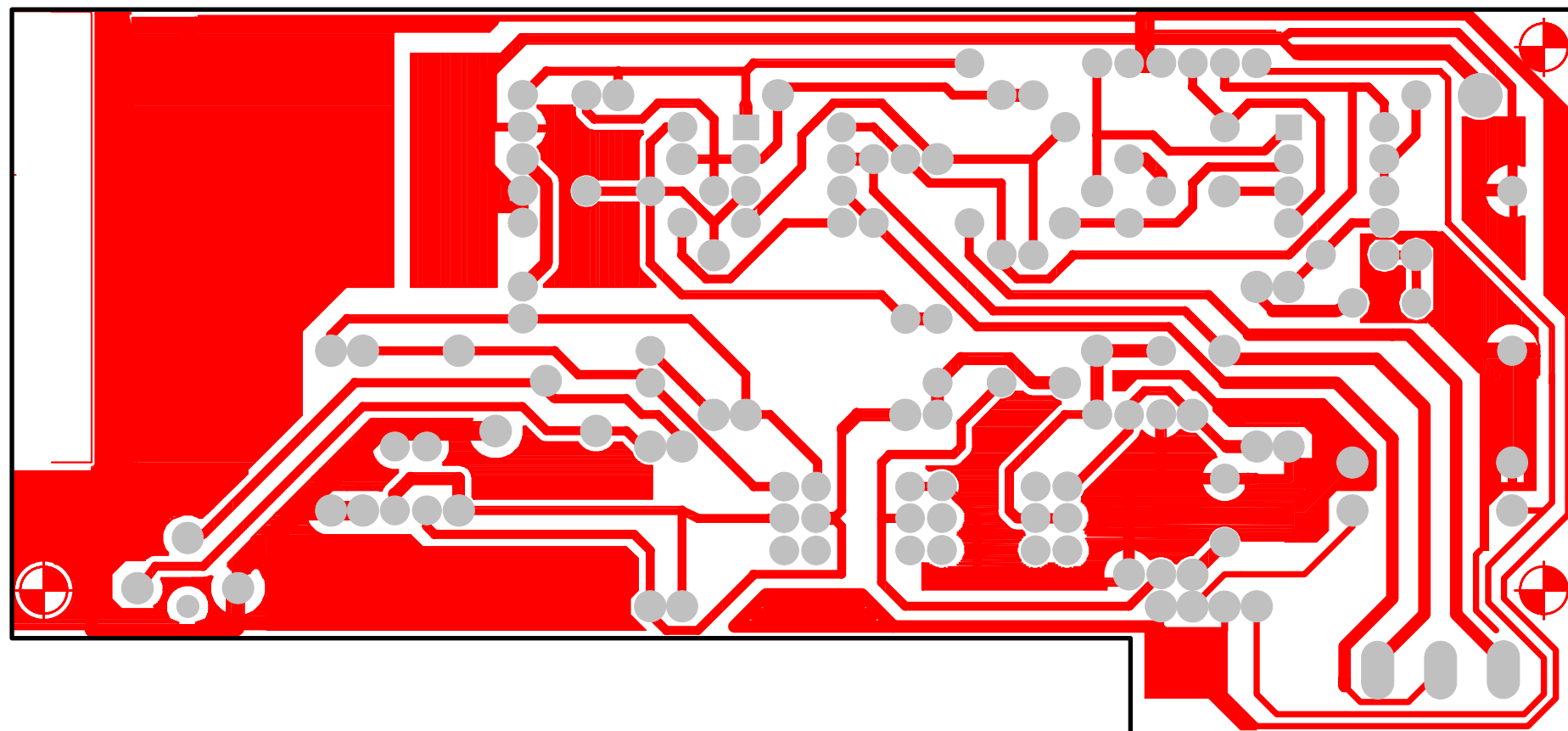
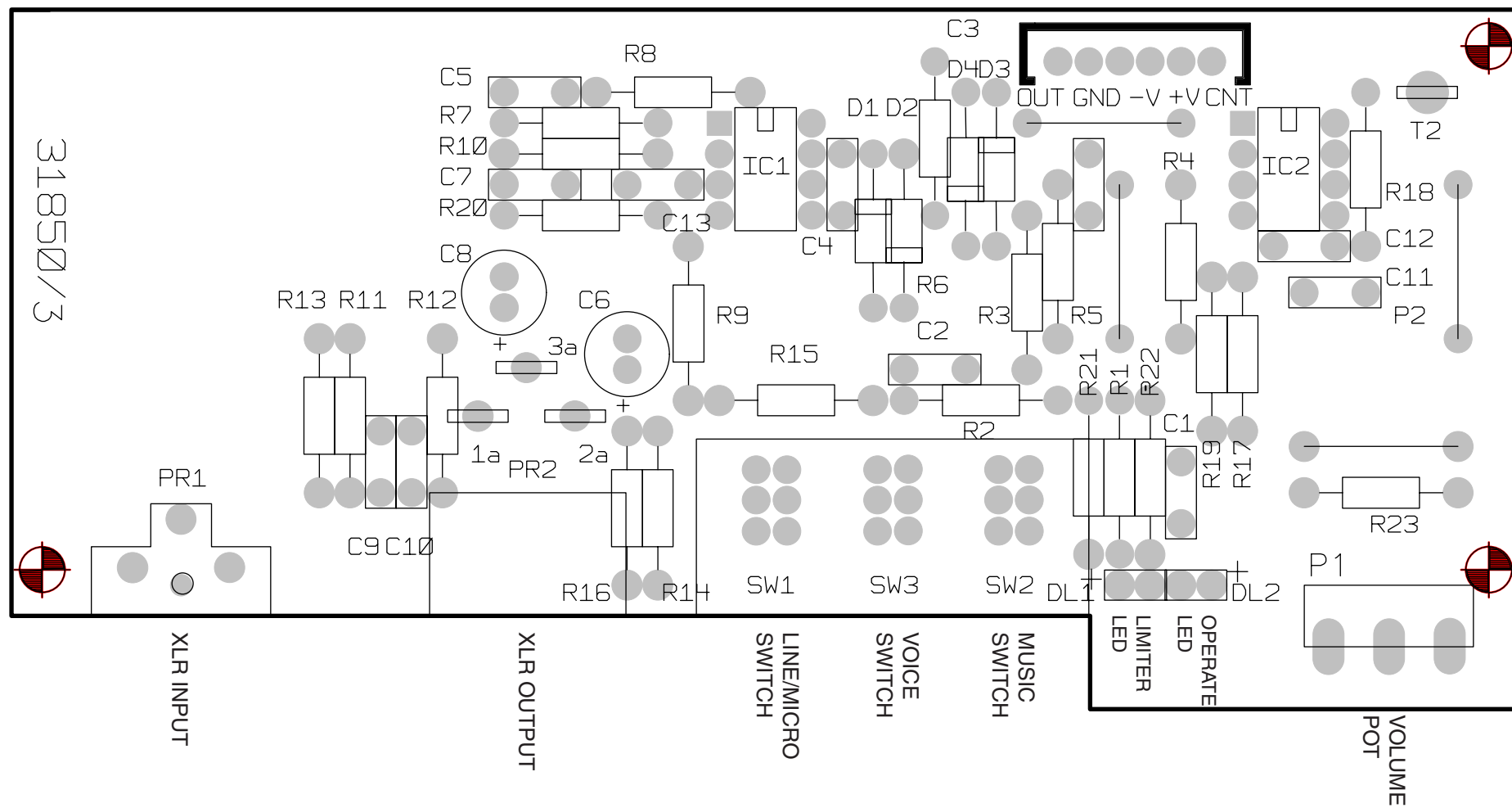
SE233092
ART500A



Note: This is the same board as used in the less powerful ART400A, with more parts stuffed.
 The ART400A uses one pair of output transistors for the Low Frequency Amplifier, the ART500A uses two pairs.
 The ART400A uses one IC amplifier for the High Frequency Amplifier, the ART500A uses two ICs.

32030390
 33092/3





Note:
The same input board is used on
the ART300A, ART400A and
ART500A.