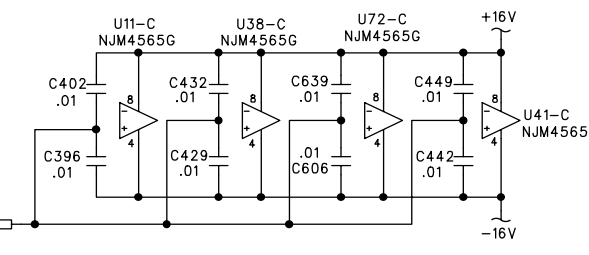
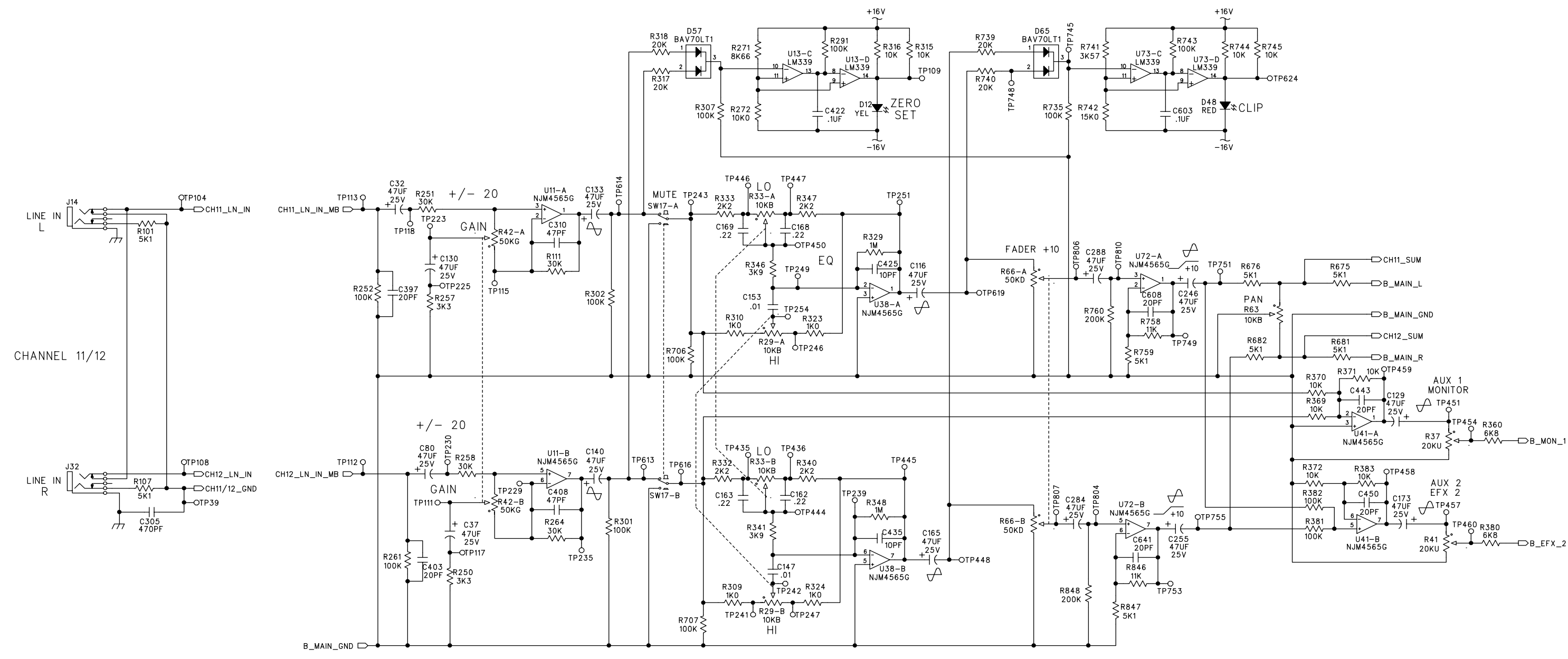


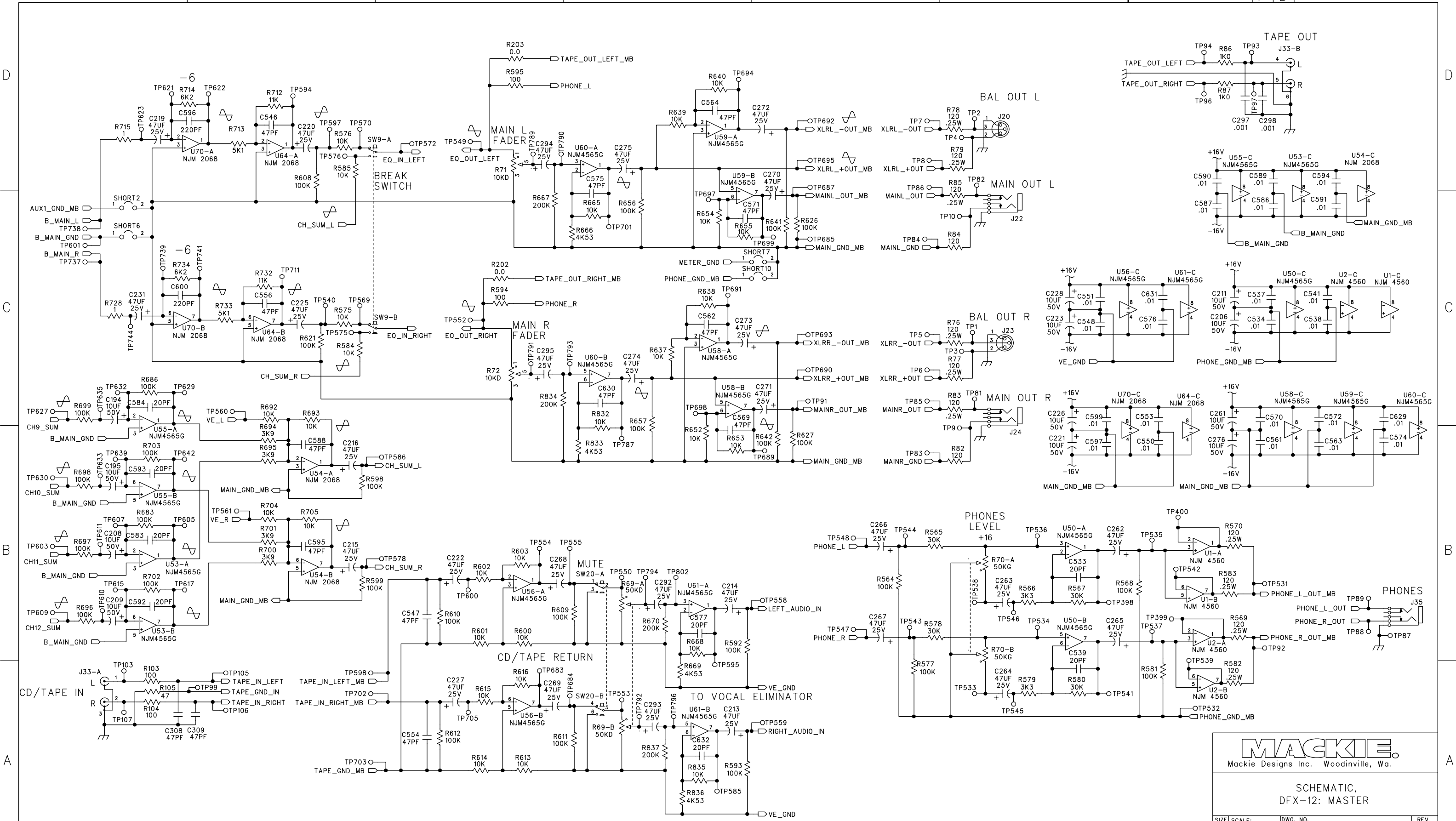
D
C
B
A



MACKIE
Mackie Designs Inc. Woodinville, Wa.

SCHMATIC,
DFX-12: ST. CH. 11/12

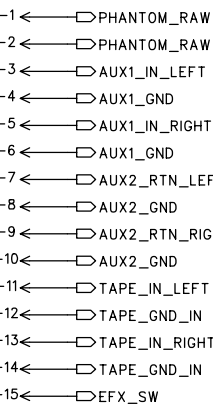
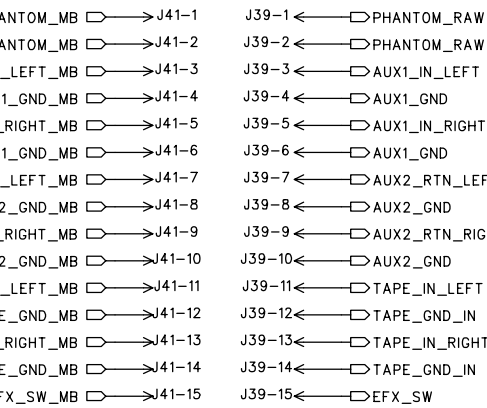
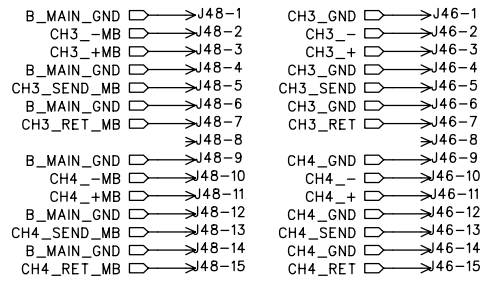
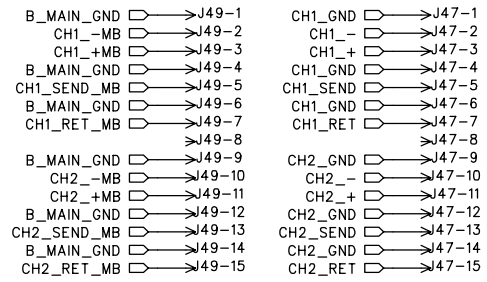
SIZE: D	SCALE: NONE	DWG. NO. 990-396-00	REV. B
DWG FILE:		SHEET 6 OF 12	



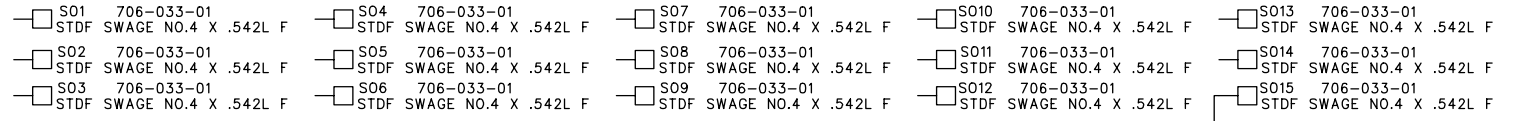
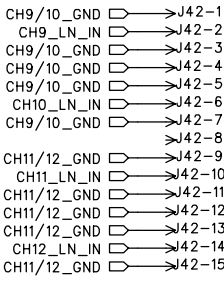
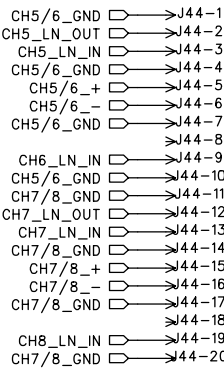
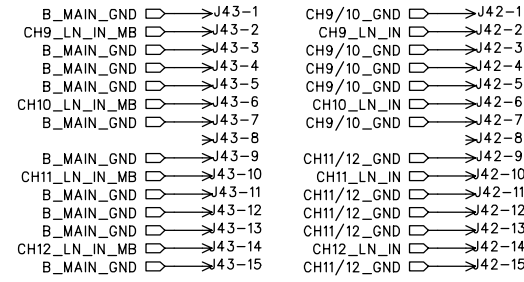
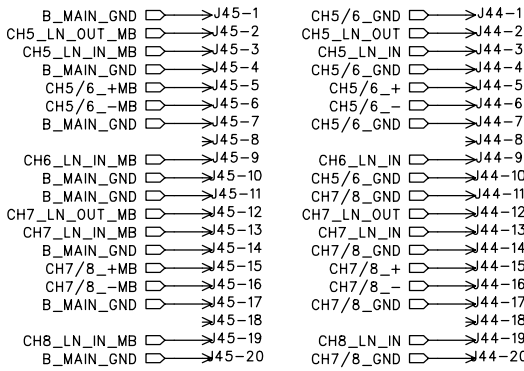
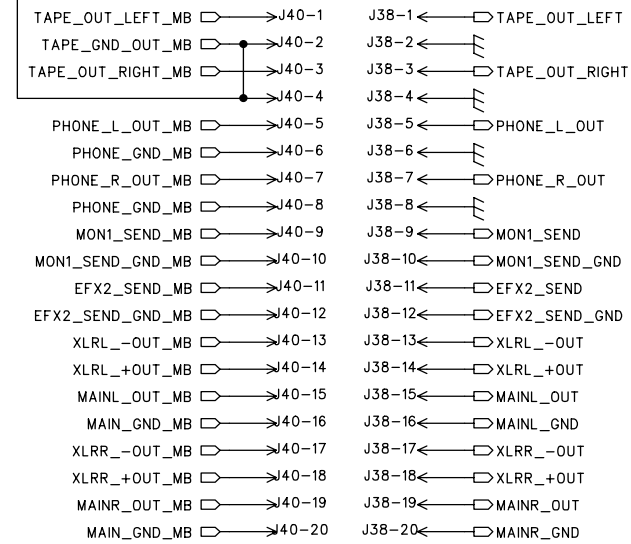
MACKIE
Mackie Designs Inc. Woodinville, Wa.

SCHMATIC,
DFX-12: MASTER

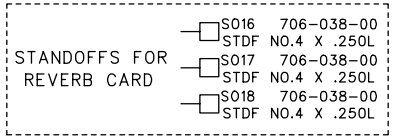
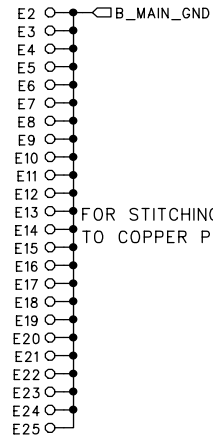
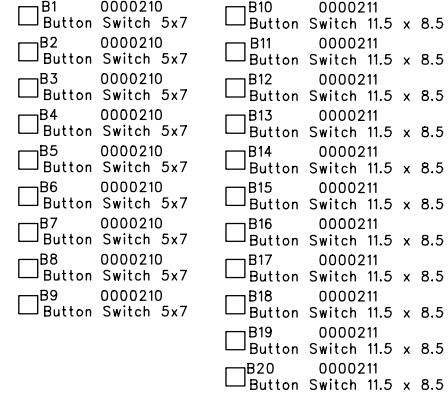
SIZE: D	SCALE: NONE	DWG. NO. 990-396-00	REV. B
DWG FILE:		SHEET 7 OF 12	



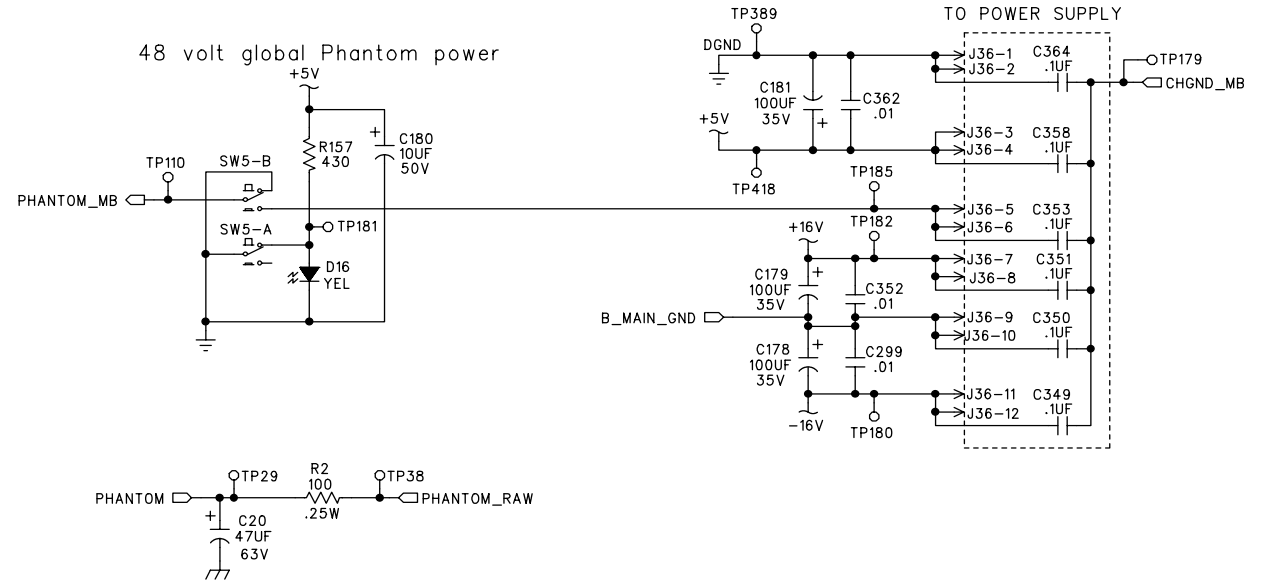
E10 SHIELD TRACE, FOLLOWS EQ_OUT_LEFT&RIGHT TO MAIN FADERS.



Z100 450-396-01 PCB MAIN DFX-12

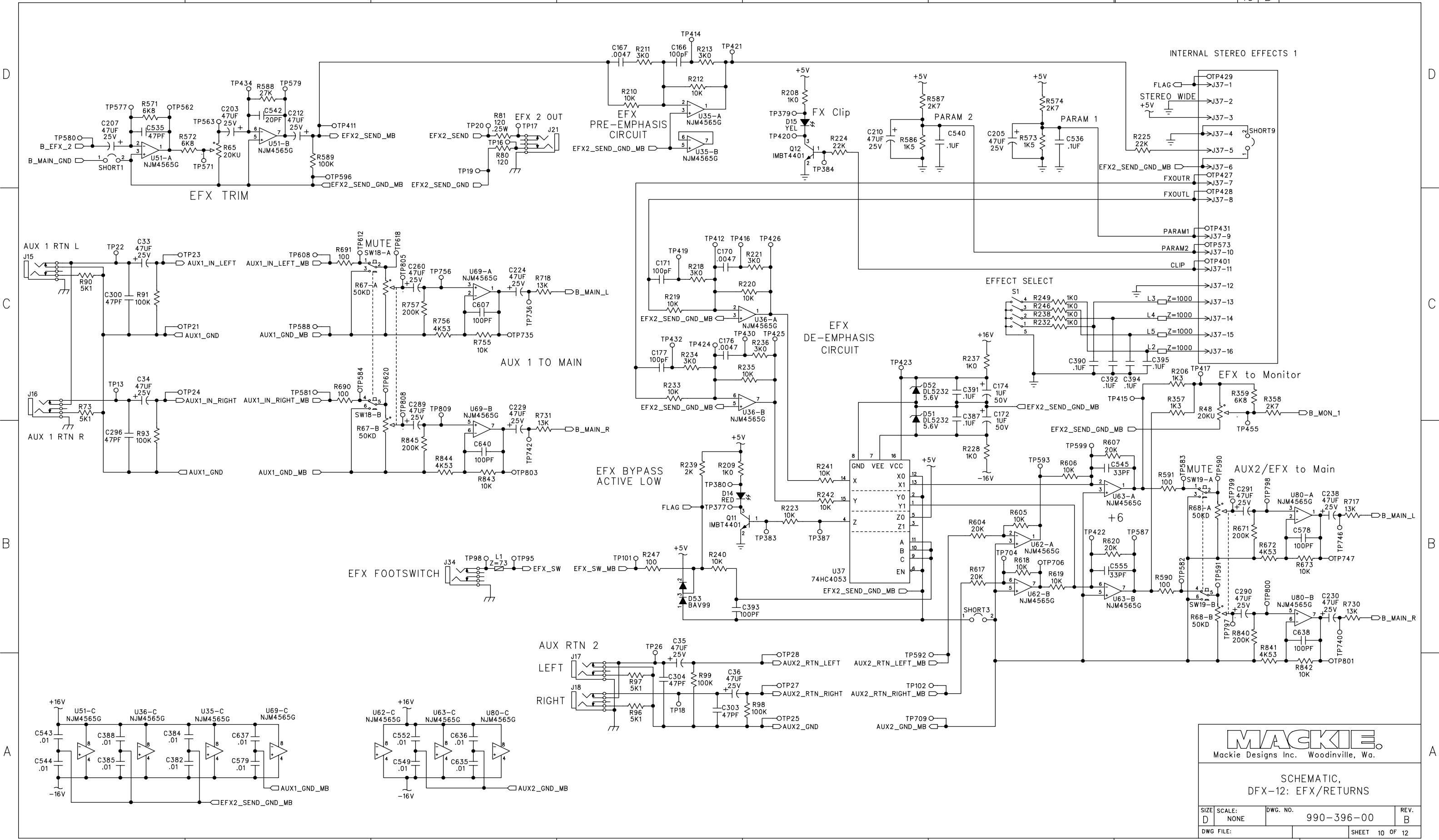


48 volt global Phantom power



SCHEMATIC, DFX-12: CONNECTORS/POWER

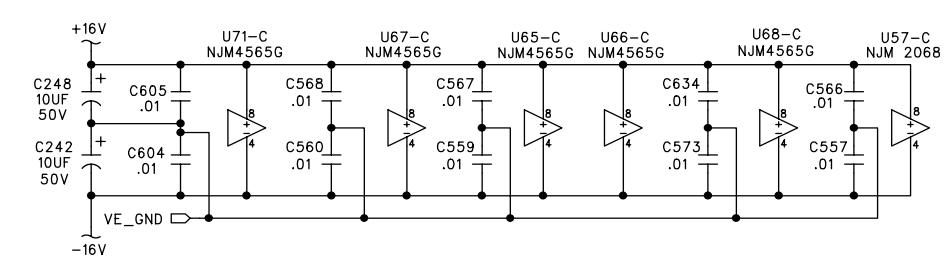
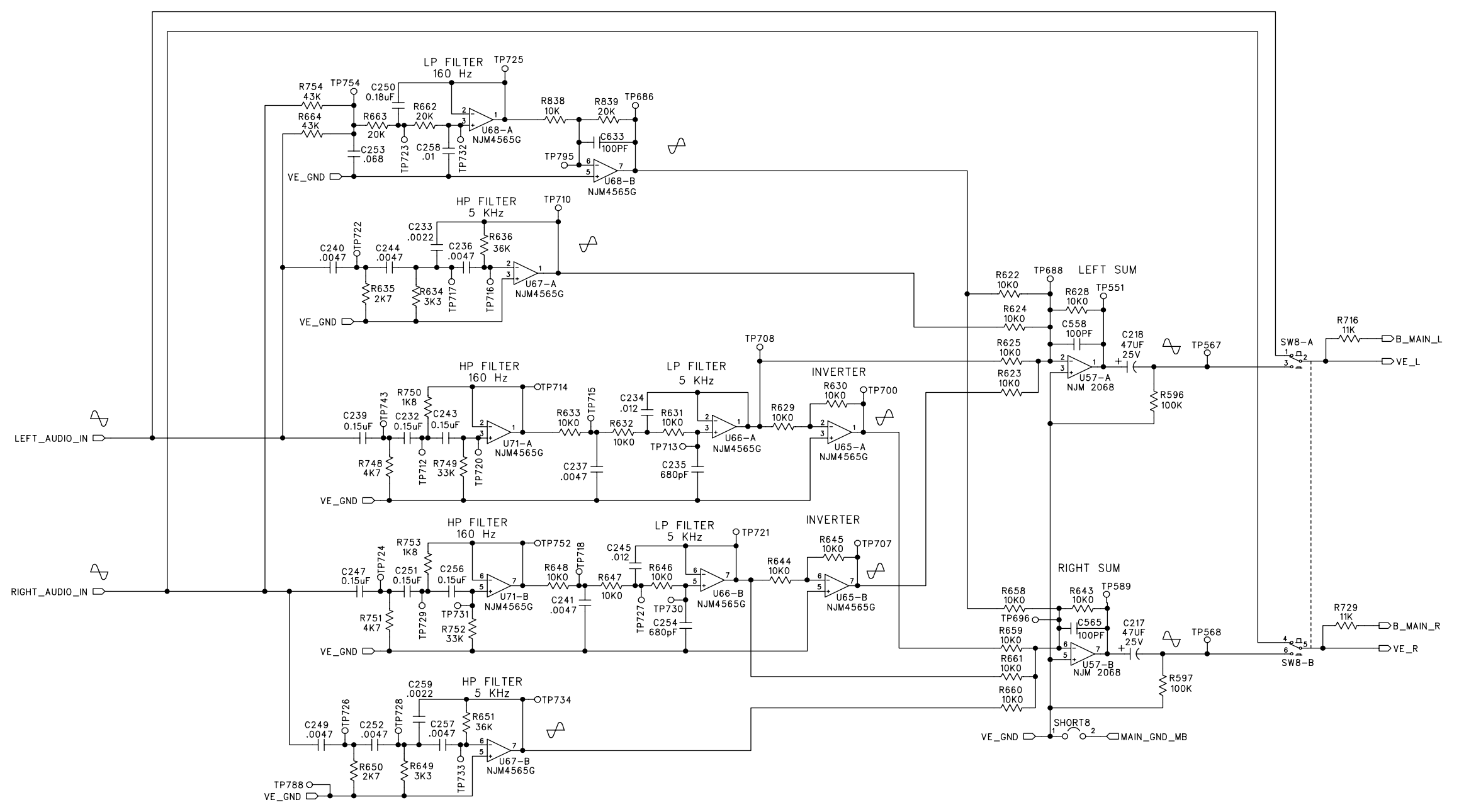
SIZE: D	SCALE: NONE	DWG. NO.: 990-396-00	REV. B
DWG FILE:		SHEET 8 OF 12	



MACKIE
Mackie Designs Inc. Woodinville, Wa.

SCHMATIC,
DFX-12: EFX/RETURNS

SIZE: D	SCALE: NONE	DWG. NO. 990-396-00	REV. B
DWG FILE:		SHEET 10 OF 12	

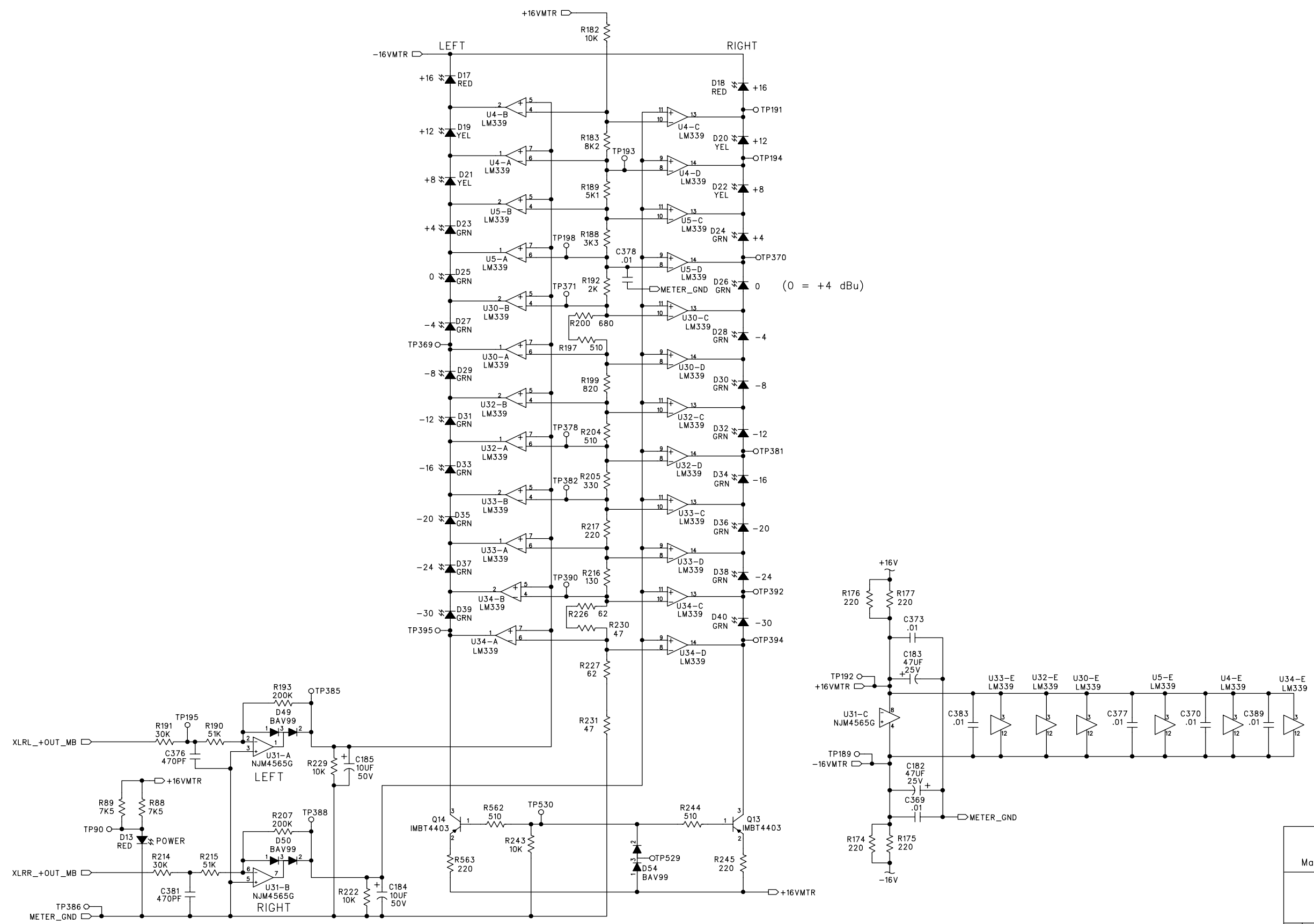


MACKIE
Mackie Designs Inc. Woodinville, Wa.

SCHMATIC,
DFX-12: VOCAL ELIMINATOR

SIZE: D	SCALE: NONE	DWG. NO.: 990-396-00	REV.: B
DWG FILE:		SHEET 11 OF 12	

D
C
B
A



MACKIE
Mackie Designs Inc. Woodinville, Wa.

SCHMATIC,
DFX-12: METER

SIZE: D	SCALE: NONE	DWG. NO. 990-396-00	REV. B
DWG FILE:		SHEET 12 OF 12	