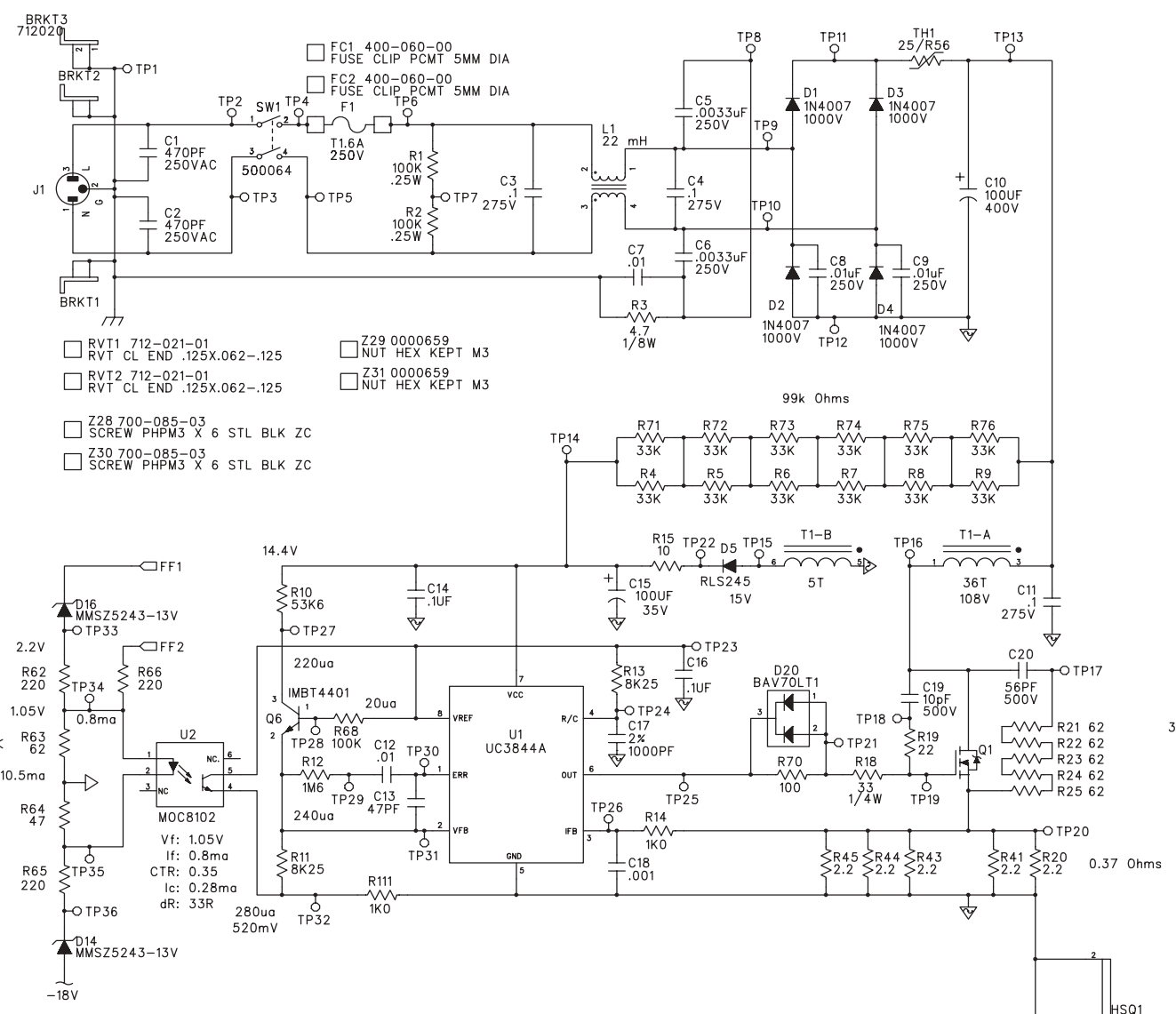


ECO#	REV:	DESCRIPTION	REV. BY:	APP. BY:	DATE
4723	A01	Change R63 to P/N 140-044-00 Change C5 and C6 to P/N 200-064-00	MFP		03/26/02

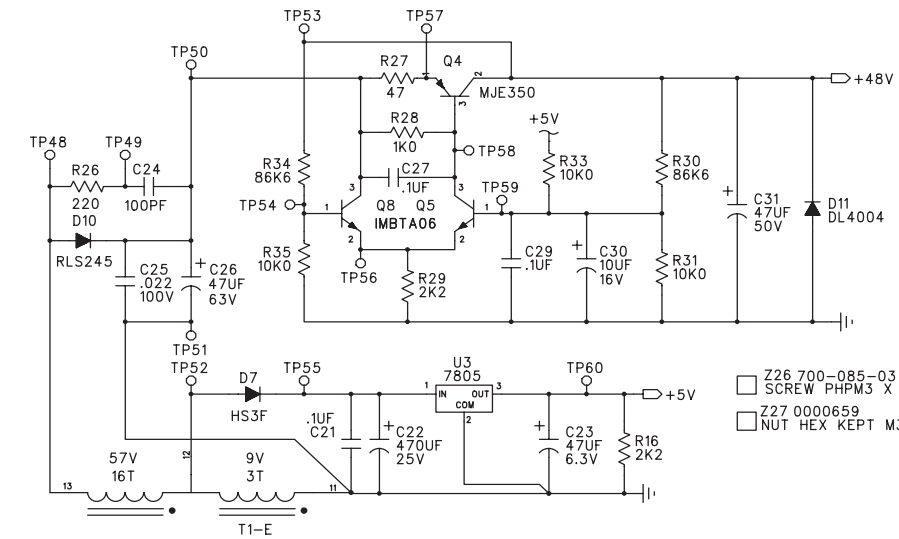
- RVT5 712-021-01
RVT CL END .125X.062-.125
- RVT6 712-021-01
RVT CL END .125X.062-.125
- RVT3 712-021-01
RVT CL END .125X.062-.125
- RVT4 712-021-01
RVT CL END .125X.062-.125

AC IN



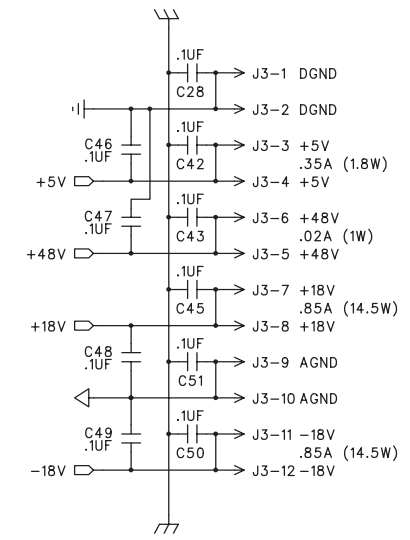
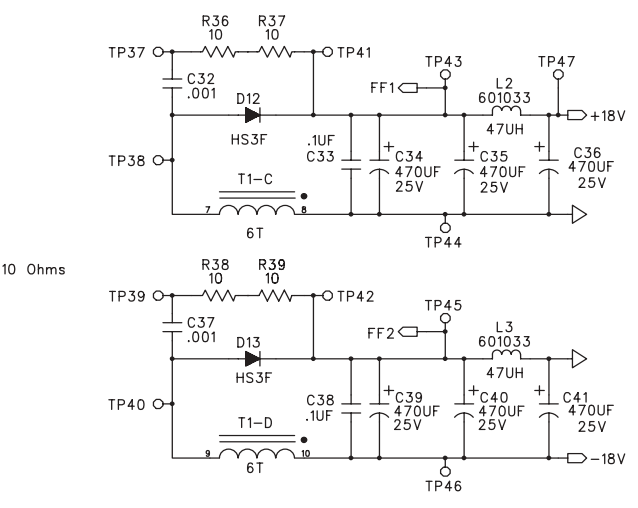
- Z1 0000176-00
PCB, DFX POWER SUPPLY

- Z24 700-085-03
SCREW PPHM3 X 6 STL BLK ZC
- Z25 0000659
NUT HEX KEPT M3



- Z26 700-085-03
SCREW PPHM3 X 6 STL BLK ZC
- Z27 0000659
NUT HEX KEPT M3

DC OUT



APPROVALS	DATE
DRAWN: MFP	8-28-01
CHECKED:	
NP ENG:	
MATERIAL:	
MFG:	
MFG ENG:	
ISSUED:	

MACKIE
Mackie Designs Inc. Woodinville, Wa.

SCHEMATIC, DFX POWER SUPPLY

©2000 MACKIE DESIGNS INC.
ALL RIGHTS RESERVED
THE INFORMATION CONTAINED HEREIN
IS PROPRIETARY AND CONFIDENTIAL
PROPERTY OF MACKIE DESIGNS INC.

SIZE	SCALE	DWG. NO.	REV.
D	NONE	0000175-00	A
DWG FILE:		SHEET 1 OF 1	

