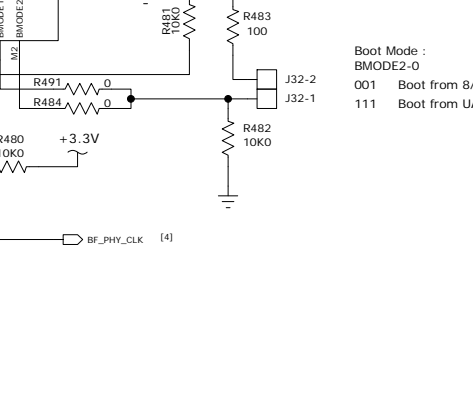
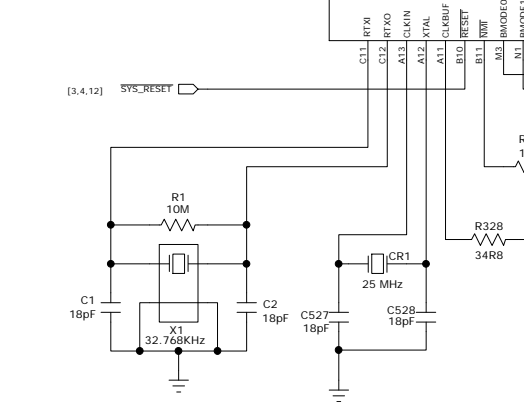
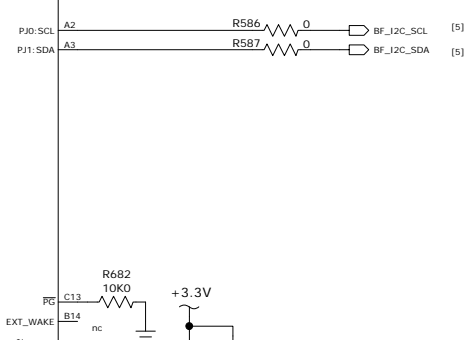
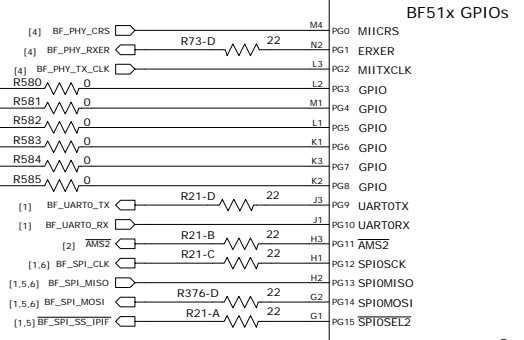
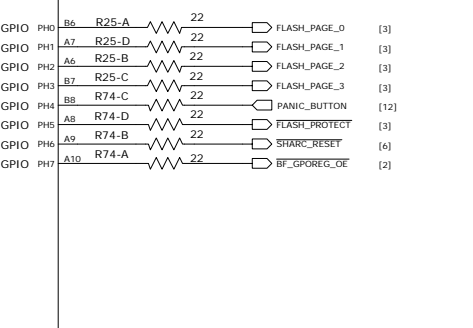
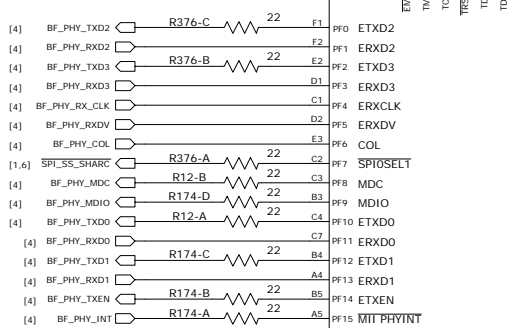
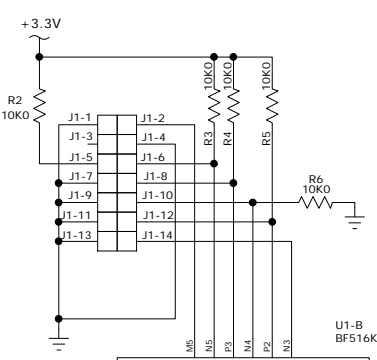
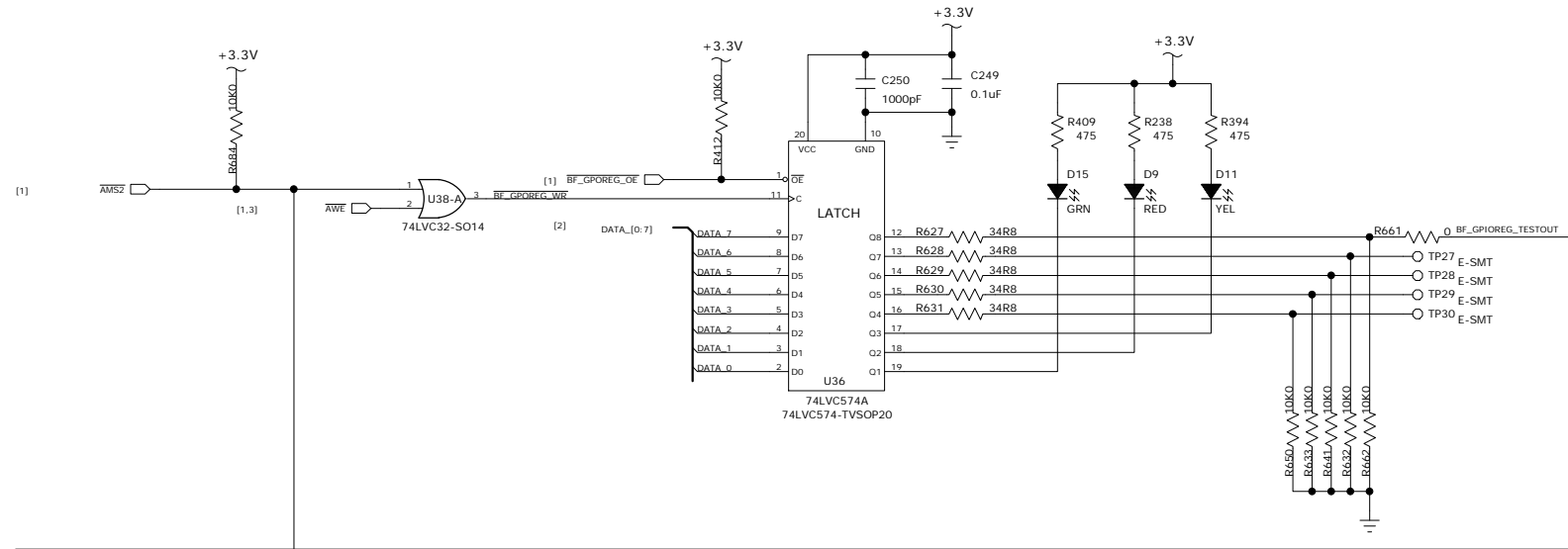


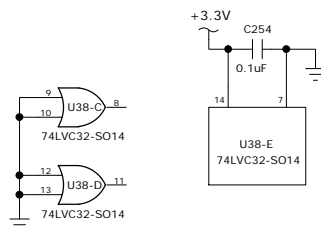
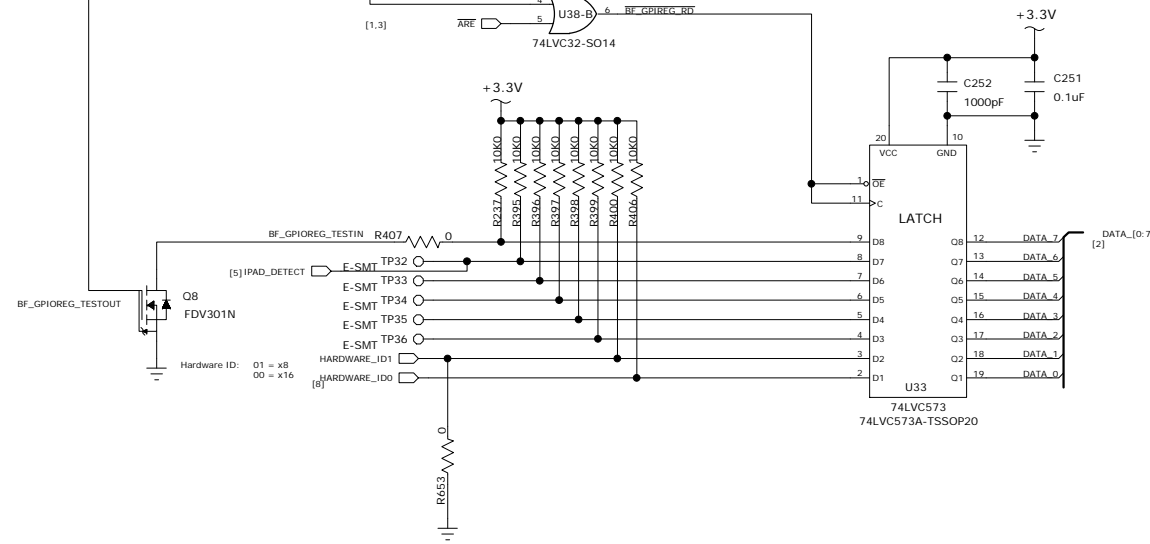
J1 NO STUFF FOR PRODUCTION




GPIO OUTPUTS

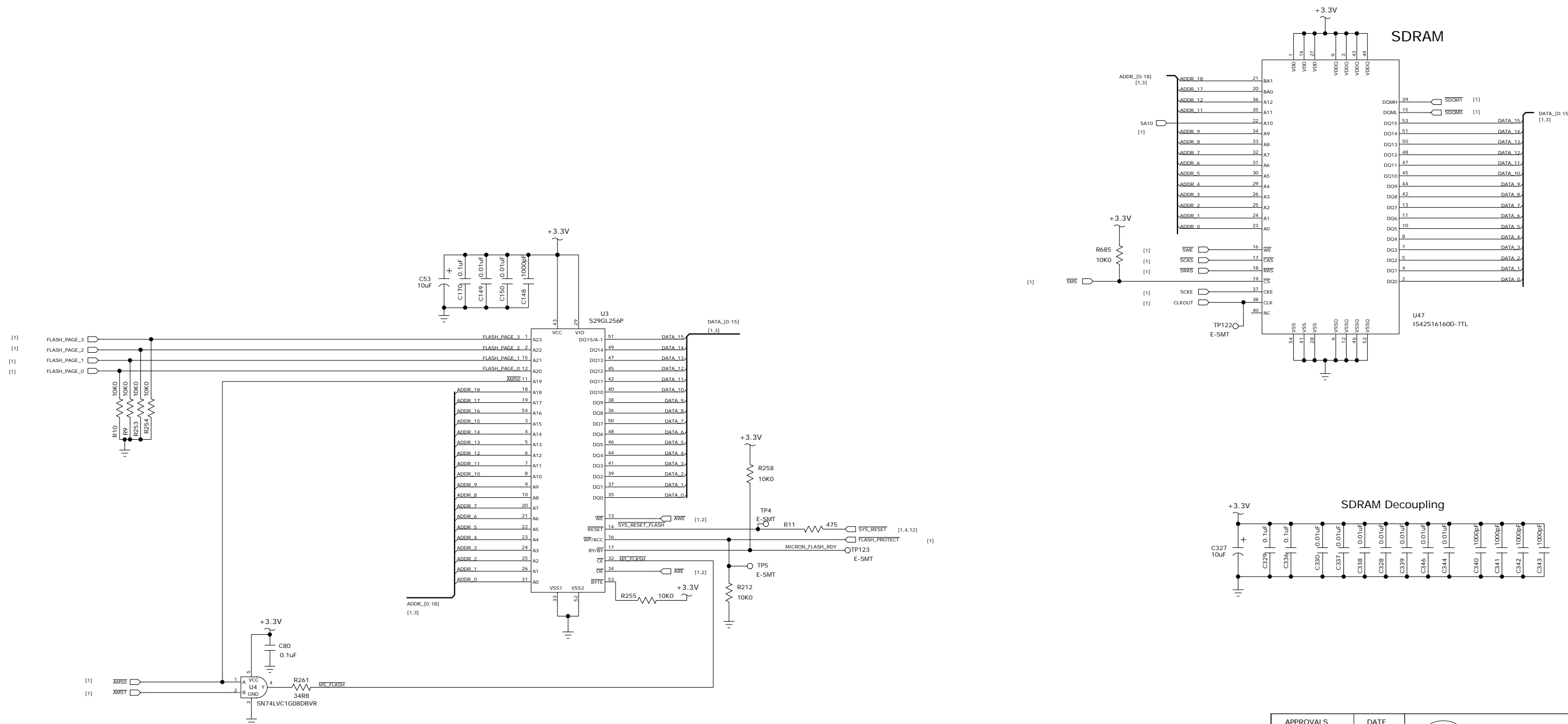


GPIO INPUTS



APPROVALS	DATE	 LOUD Technologies Inc. 16220 WOOD-RED RD NE WOODINVILLE, WA 98072		
DRAWN:		DL806/DL1608 MAIN MK2 BLACKFIN_GPIO		
CHECKED:				
NP ENG:				
MATERIAL:				
MFG:				
MFG ENG:		SIZE: D SCALE: NONE	DWG. NO.: 2041831-XX	REV. D00
ISSUED:		DWG FILE: 2041831-XX-D00.sch		SHEET 2 OF 13

© 2011 LOUD TECHNOLOGIES INC.
 ALL RIGHTS RESERVED
 THE INFORMATION CONTAINED HEREIN
 IS PROPRIETARY AND CONFIDENTIAL
 PROPERTY OF LOUD TECHNOLOGIES INC.



APPROVALS	DATE	LOUD Technologies Inc.	
DRAWN:		16220 WOOD-RED RD NE WOODINVILLE, WA 98072	
CHECKED:		DL806/DL1608 MAIN MK2	
NP ENG:		BLACKFIN_MEM	
MATERIAL:		SIZE: D	SCALE: NONE
MFG:		DWG. NO.:	2041831-XX
MFG ENG:		REV.:	D00
ISSUED:		DWG. FILE:	2041831-XX-D00.sch
		SHEET:	3 OF 13

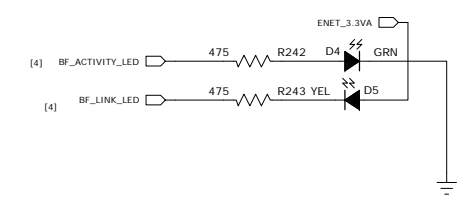
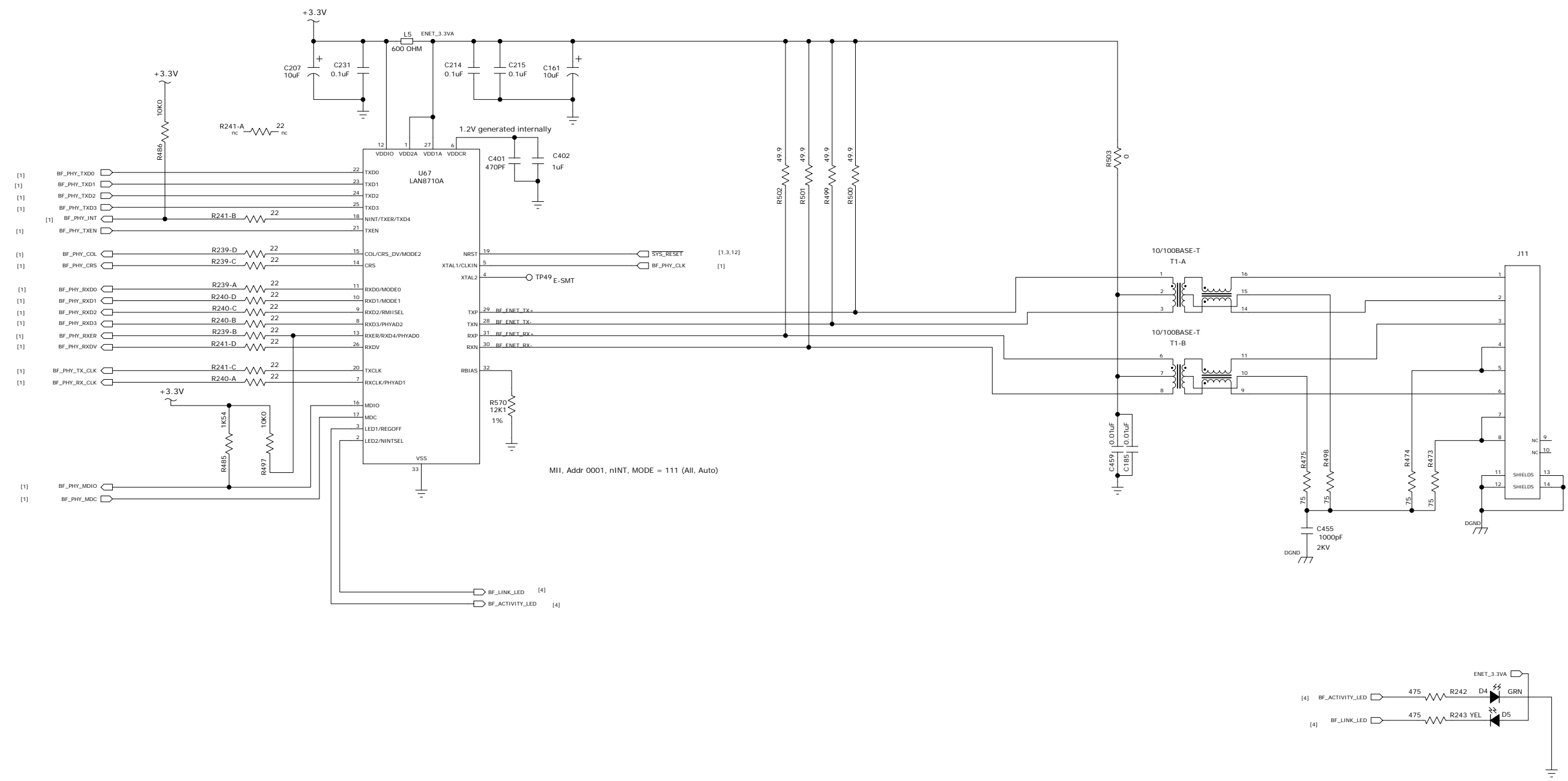
© 2011 LOUD TECHNOLOGIES INC.
 ALL RIGHTS RESERVED
 THE INFORMATION CONTAINED HEREIN
 IS PROPRIETARY AND CONFIDENTIAL
 PROPERTY OF LOUD TECHNOLOGIES INC.

D

C

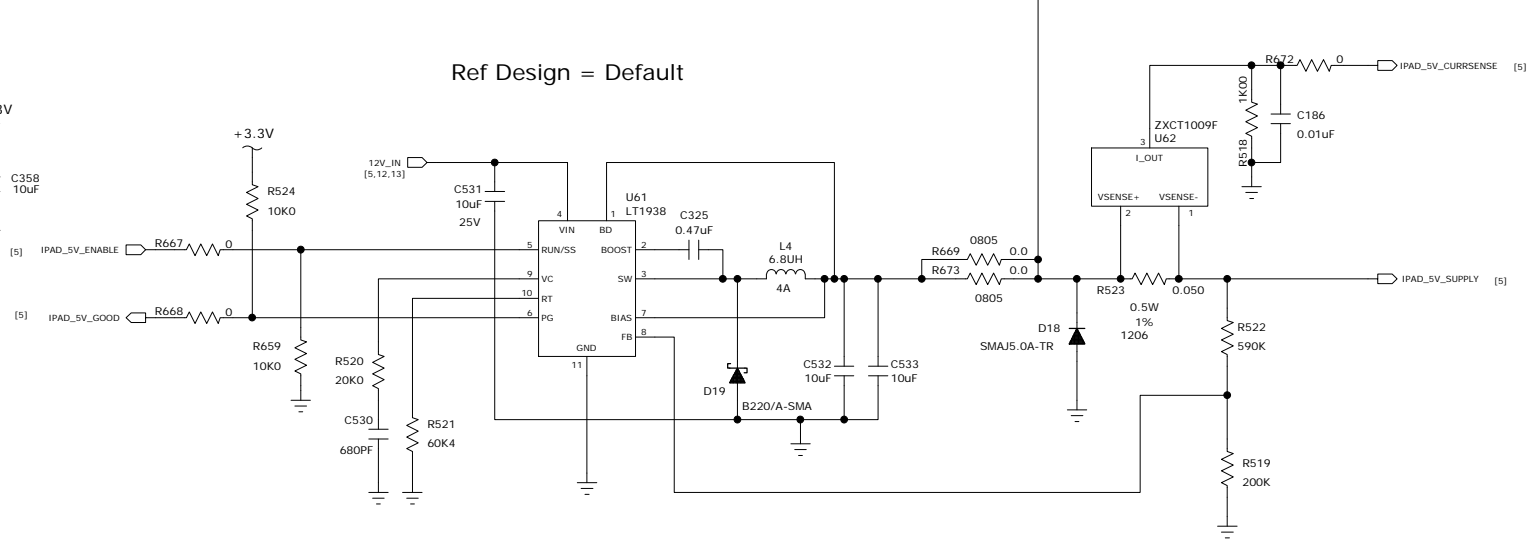
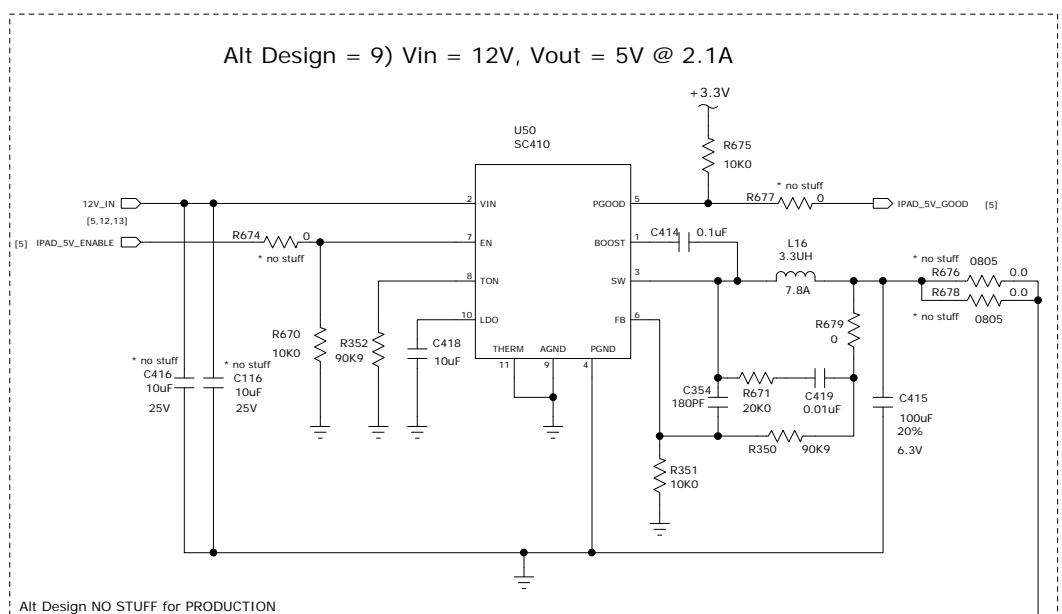
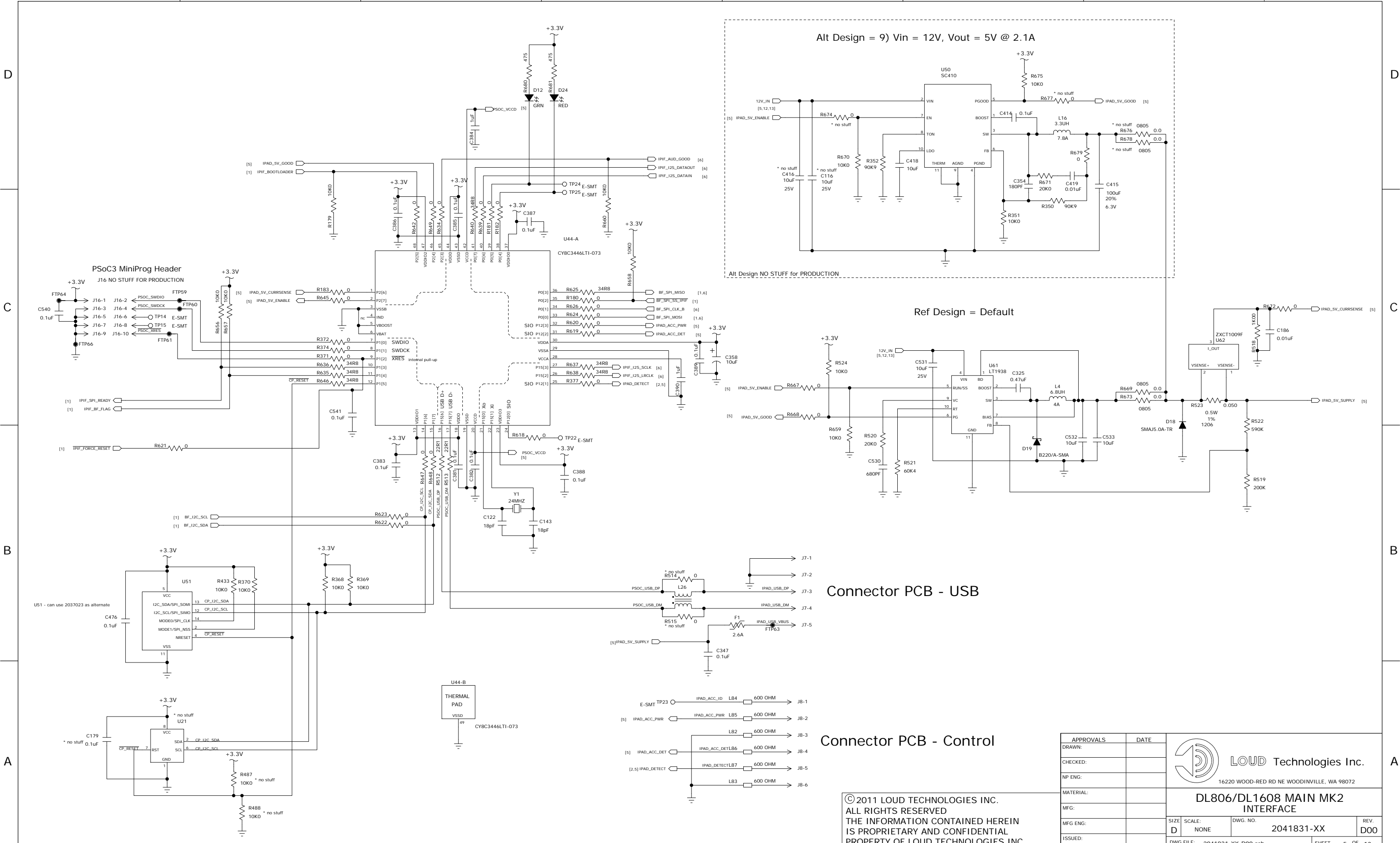
B

A

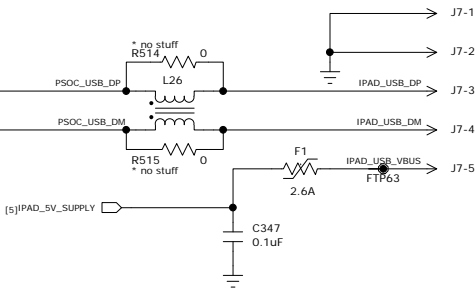


© 2011 LOUD TECHNOLOGIES INC.
 ALL RIGHTS RESERVED
 THE INFORMATION CONTAINED HEREIN
 IS PROPRIETARY AND CONFIDENTIAL
 PROPERTY OF LOUD TECHNOLOGIES INC.

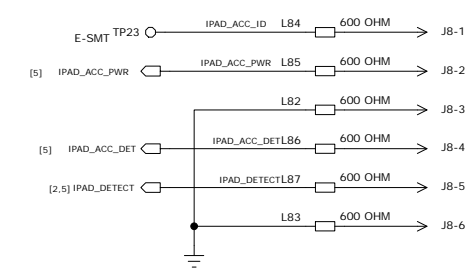
APPROVALS	DATE	LOUD Technologies Inc.	
DRAWN:		16220 WOOD-RED RD NE WOODINVILLE, WA 98072	
CHECKED:		DL806/DL1608 MAIN MK2	
NP ENG:		BLACKFIN_ENET	
MATERIAL:		SIZE: D	SCALE: NONE
MFG:		DWG. NO. 2041831-XX	REV. D00
MFG ENG:		DWG. FILE: 2041831-XX-D00.sch	
ISSUED:		SHEET 4 OF 13	



Connector PCB - USB



Connector PCB - Control



© 2011 LOUD TECHNOLOGIES INC.
 ALL RIGHTS RESERVED
 THE INFORMATION CONTAINED HEREIN
 IS PROPRIETARY AND CONFIDENTIAL
 PROPERTY OF LOUD TECHNOLOGIES INC.

APPROVALS	DATE	LOUD Technologies Inc.	
DRAWN:		16220 WOOD-RED RD NE WOODINVILLE, WA 98072	
CHECKED:		DL806/DL1608 MAIN MK2 INTERFACE	
MP ENG:		SIZE: D	SCALE: NONE
MATERIAL:		DWG. NO.:	2041831-XX
MFG:		REV.:	D00
MFG ENG:		DWG. NO.:	2041831-XX
ISSUED:		DWG. FILE:	2041831-XX-D00.sch
		SHEET:	5 OF 13

D

C

B

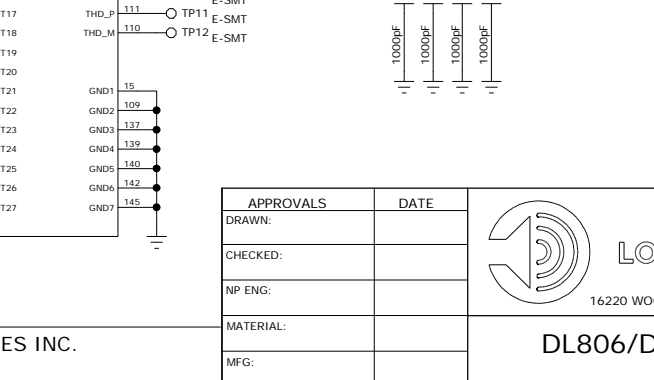
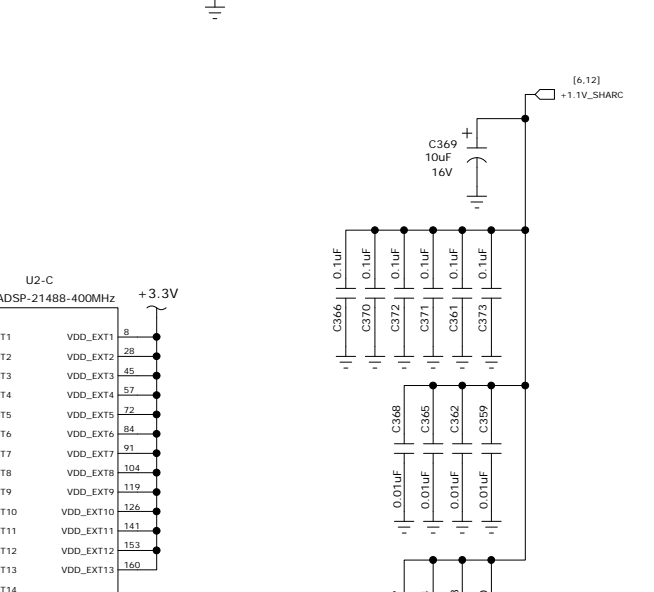
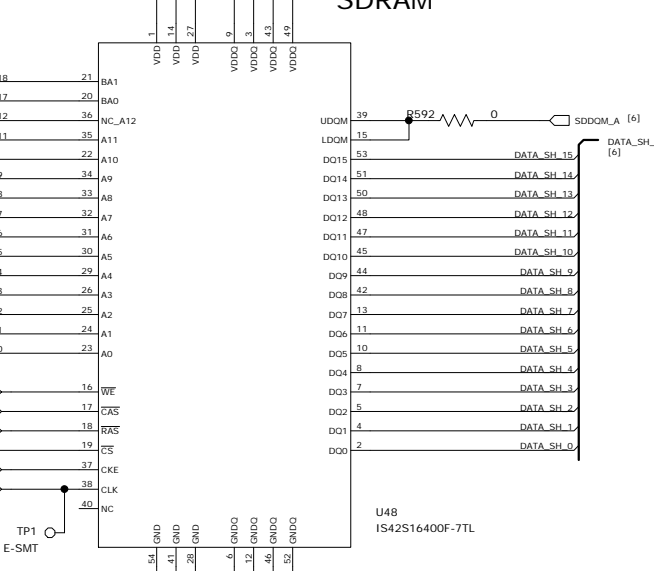
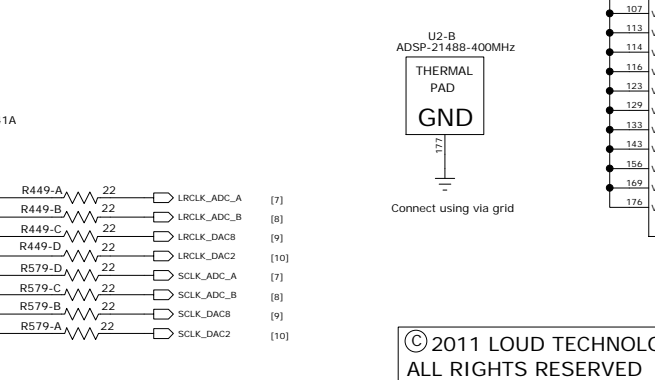
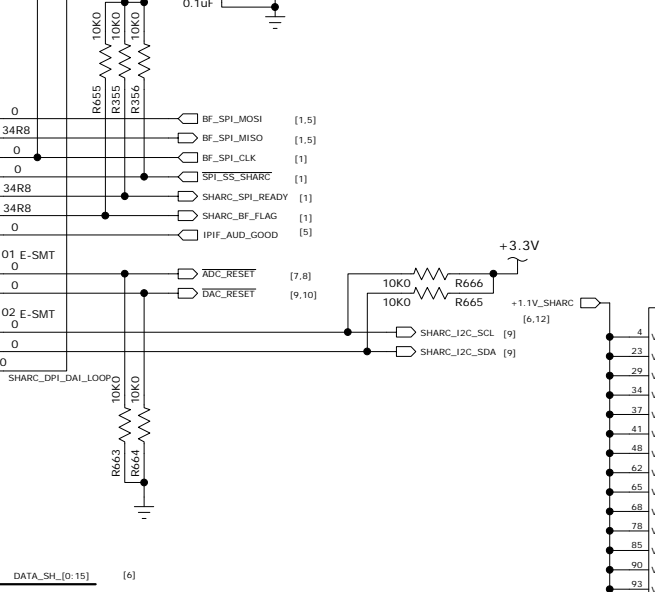
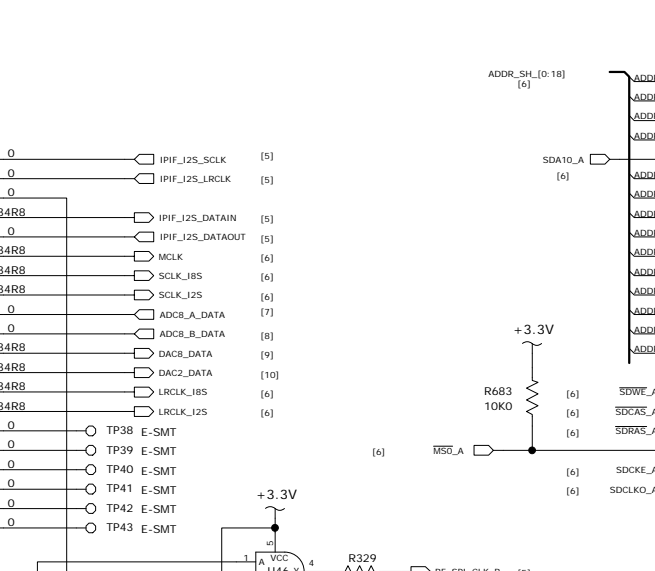
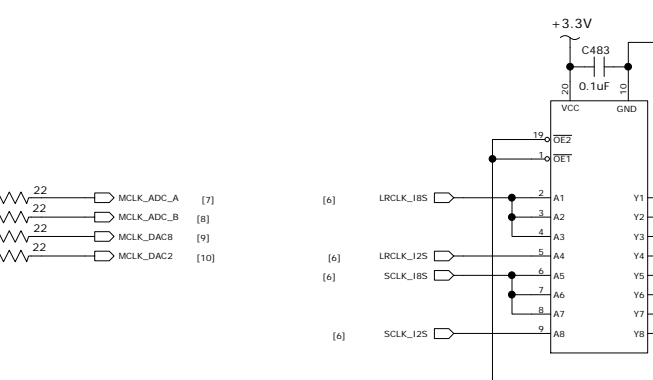
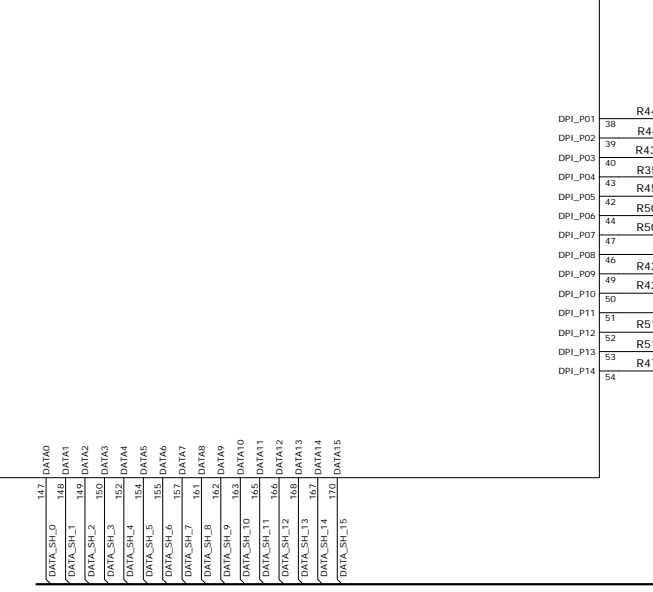
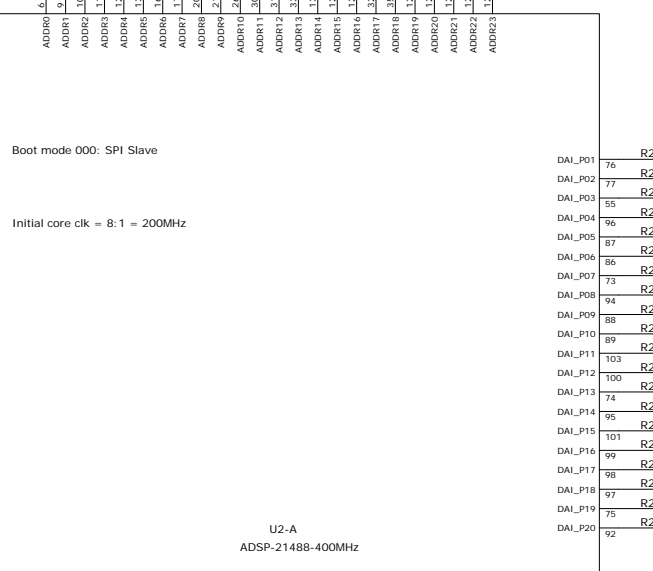
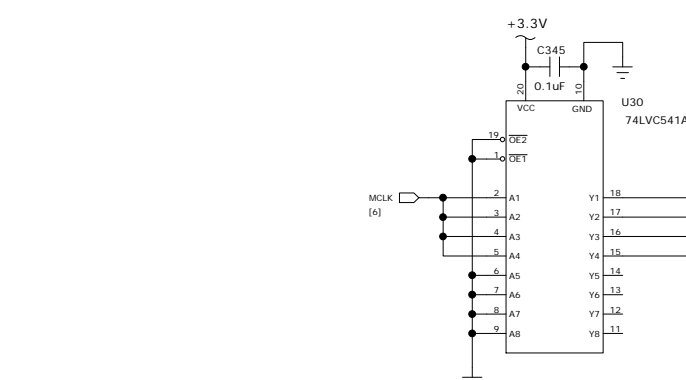
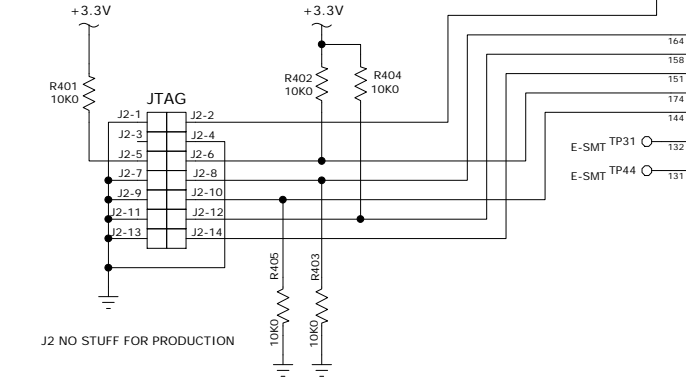
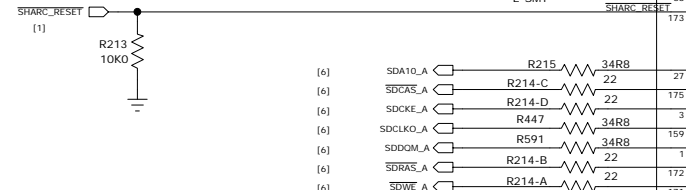
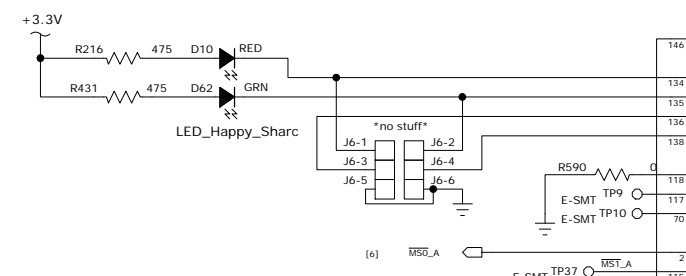
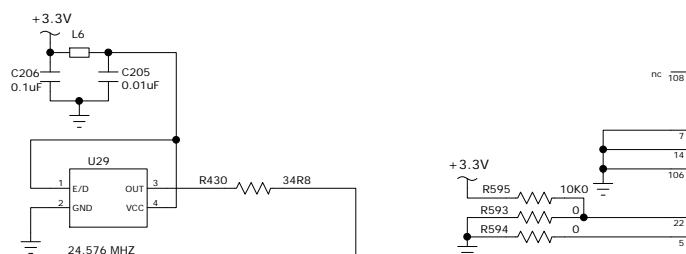
A

D

C

B

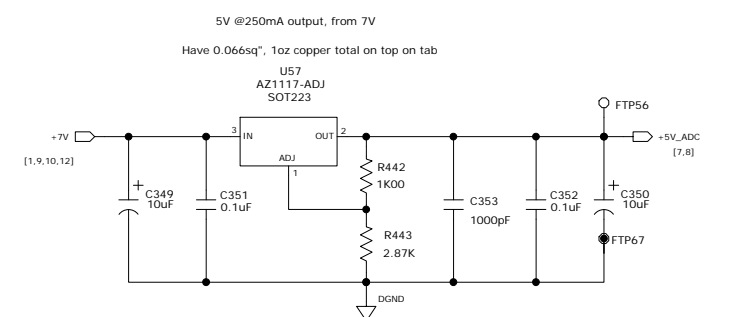
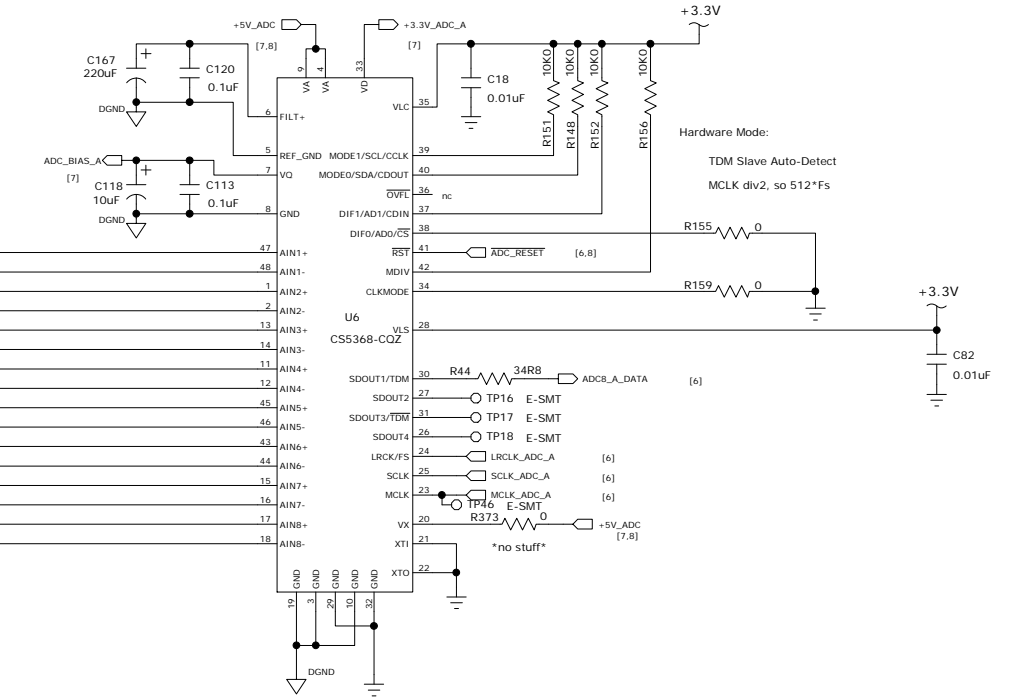
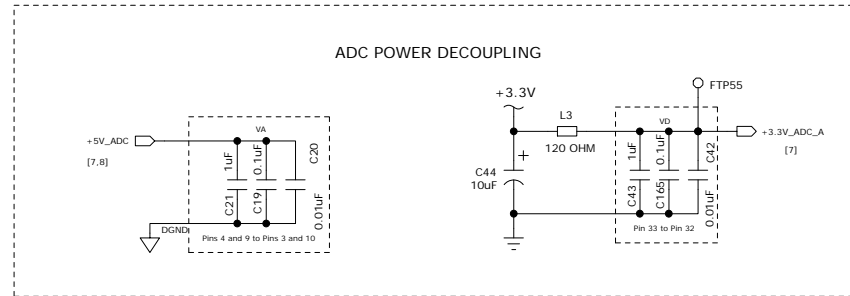
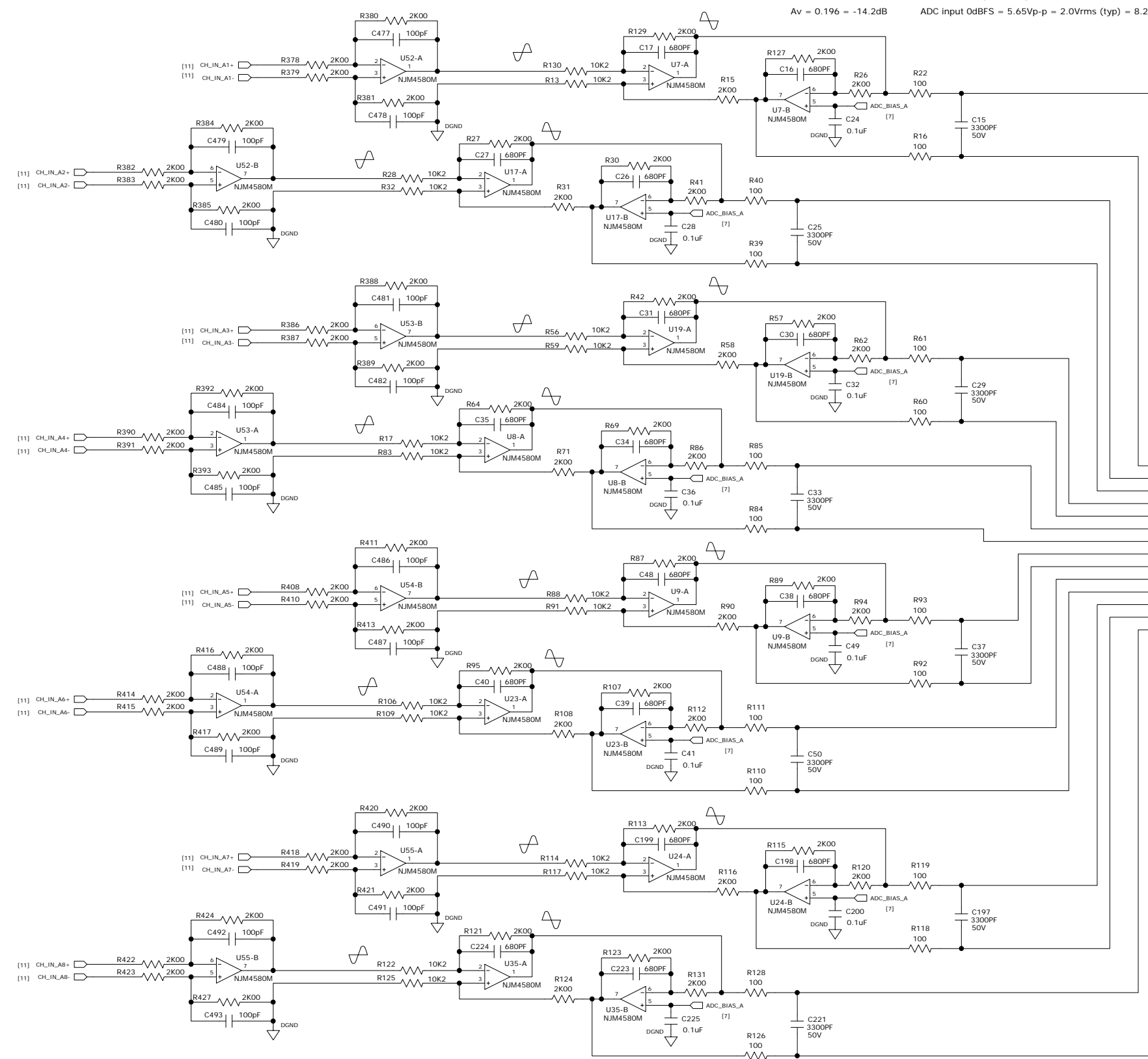
A



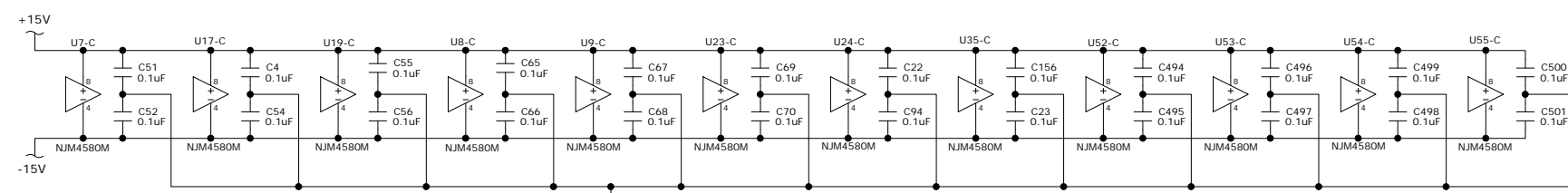
© 2011 LOUD TECHNOLOGIES INC.
 ALL RIGHTS RESERVED
 THE INFORMATION CONTAINED HEREIN
 IS PROPRIETARY AND CONFIDENTIAL
 PROPERTY OF LOUD TECHNOLOGIES INC.

APPROVALS	DATE	LOUD Technologies Inc.	
DRAWN:		16220 WOOD-RED RD NE WOODINVILLE, WA 98072	
CHECKED:		DL806/DL1608 MAIN MK2 SHARC	
NP ENG:		SIZE: D	SCALE: NONE
MATERIAL:		DWG. NO.:	2041831-XX
MFG:		REV.:	D00
MFG ENG:		DWG FILE:	2041831-XX-D00.sch
ISSUED:		SHEET:	6 OF 13

OdBFS = 2.0V/0.196 = 10.2V (22.4dBu)
 Av = 0.196 = -14.2dB ADC input OdBFS = 5.65Vp-p = 2.0Vrms (typ) = 8.24dBu

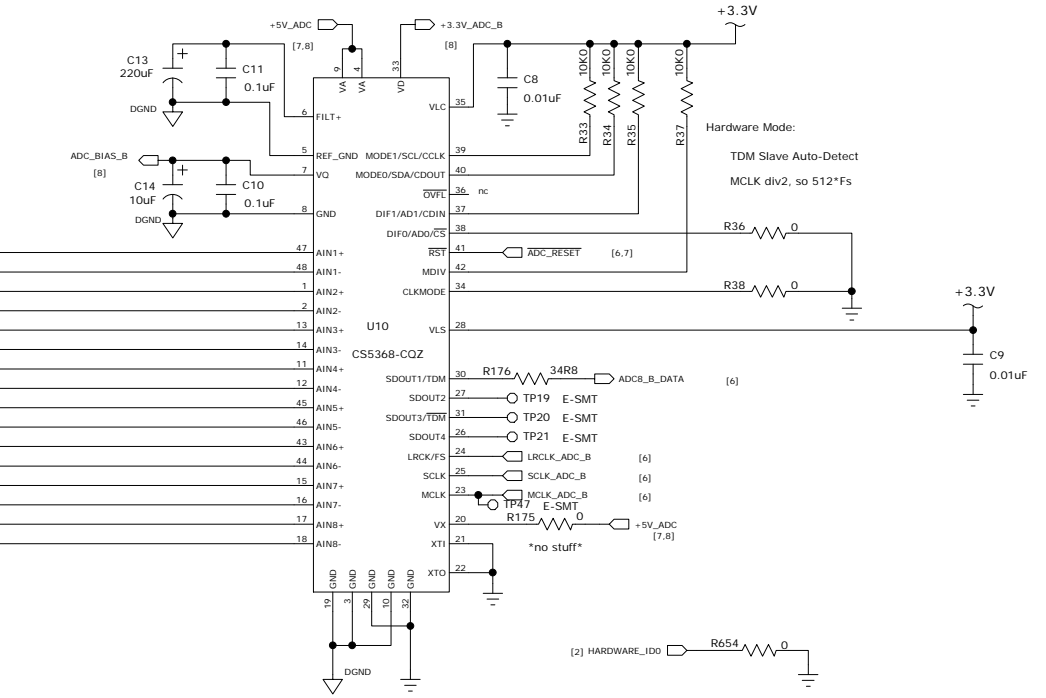
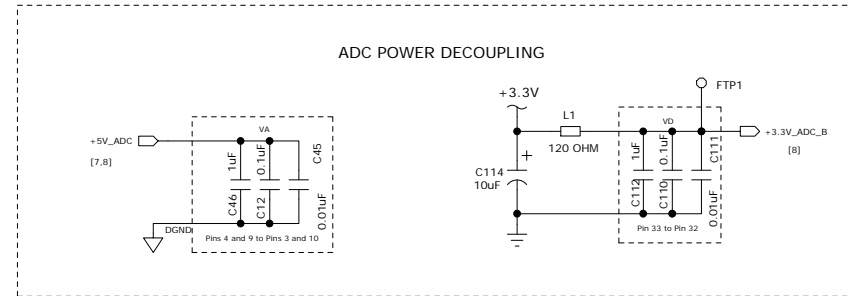
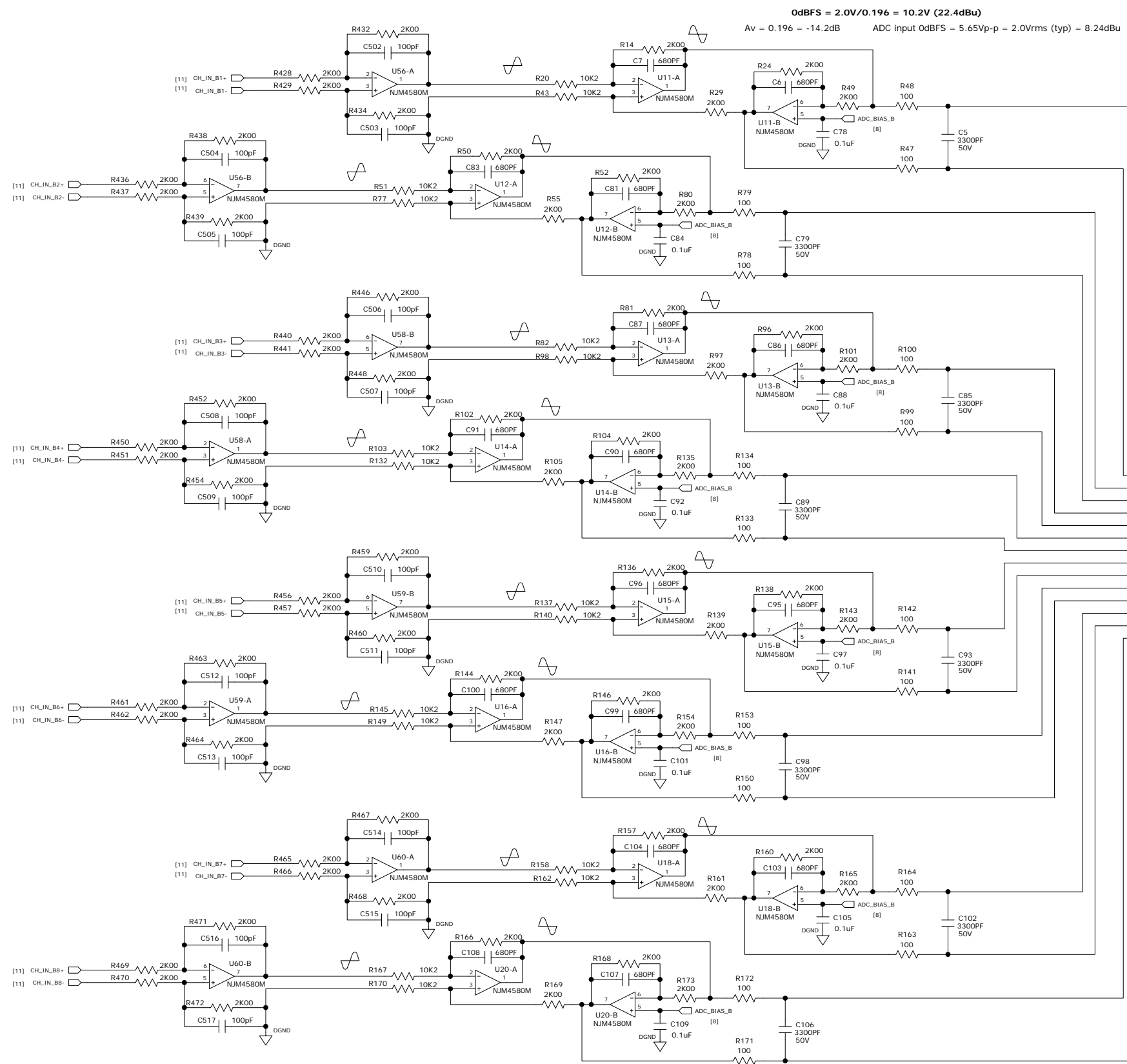


ALL COMPONENTS AND TRACES ON THIS PAGE OVER 'ANALOG GROUND' AREA



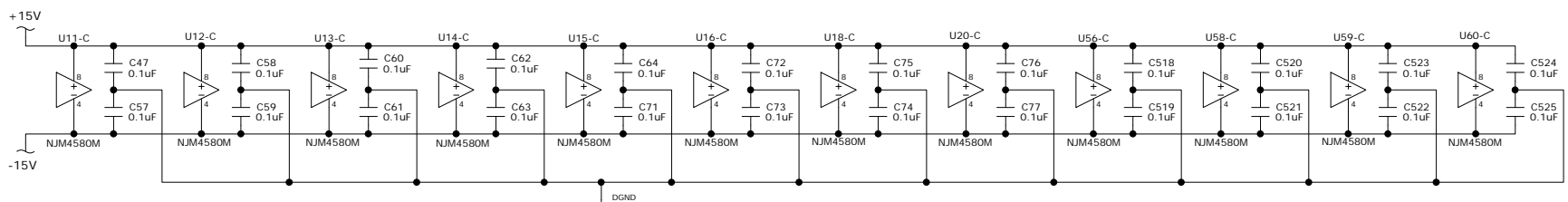
© 2011 LOUD TECHNOLOGIES INC.
 ALL RIGHTS RESERVED
 THE INFORMATION CONTAINED HEREIN
 IS PROPRIETARY AND CONFIDENTIAL
 PROPERTY OF LOUD TECHNOLOGIES INC.

APPROVALS	DATE	
DRAWN:		
CHECKED:		SIZE: D SCALE: NONE DWG. NO. 2041831-XX REV. D00 DWG FILE: 2041831-XX-D00.sch SHEET 7 OF 13
NP ENG:		
MATERIAL:		
MFG:		
MFG ENG:		
ISSUED:		



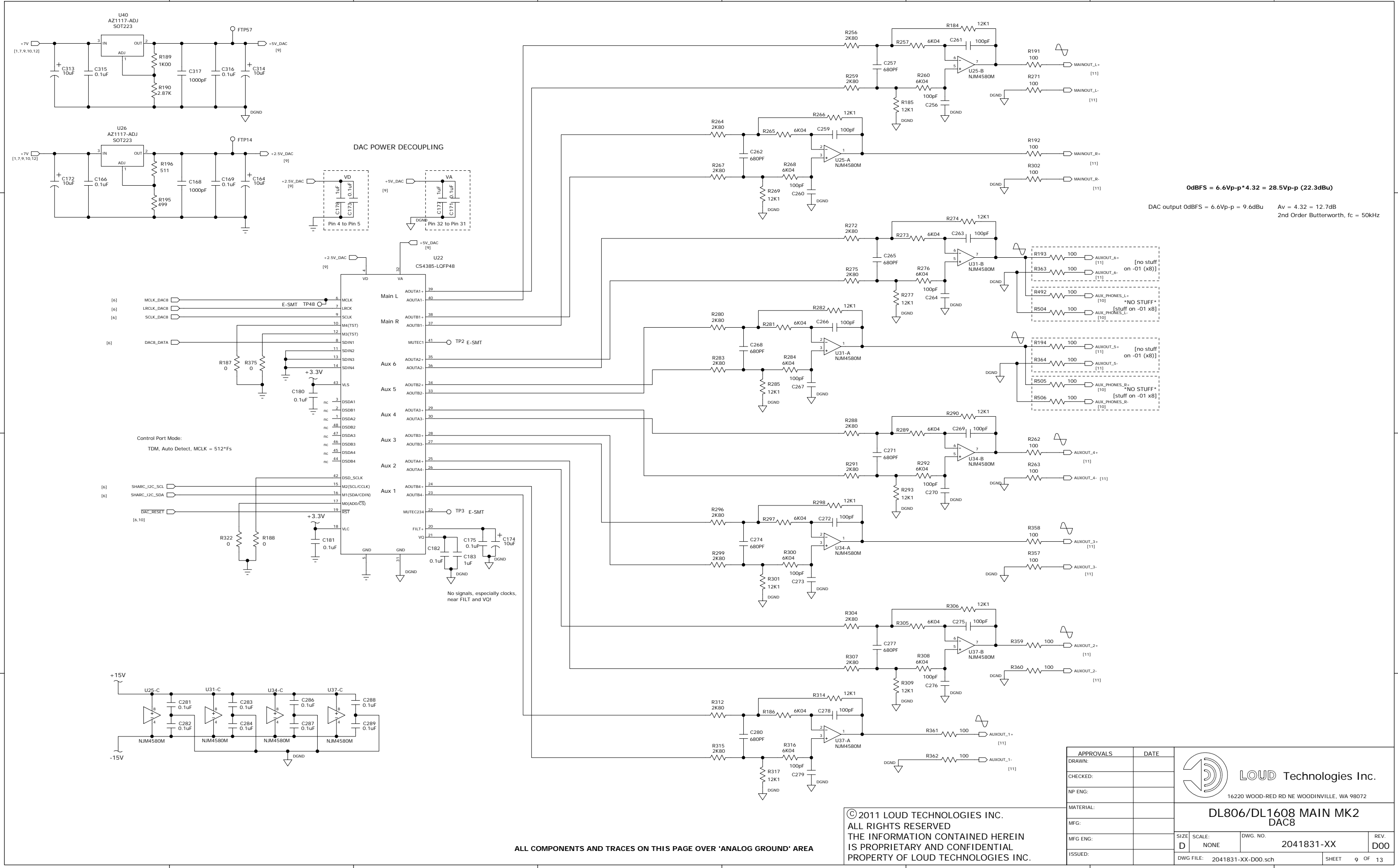
No-stuff on -01 (Small x8)

ALL COMPONENTS AND TRACES ON THIS PAGE OVER 'ANALOG GROUND' AREA



© 2011 LOUD TECHNOLOGIES INC.
 ALL RIGHTS RESERVED
 THE INFORMATION CONTAINED HEREIN
 IS PROPRIETARY AND CONFIDENTIAL
 PROPERTY OF LOUD TECHNOLOGIES INC.

APPROVALS	DATE		16220 WOOD-RED RD NE WOODINVILLE, WA 98072
DRAWN:			
CHECKED:		DL806/DL1608 MAIN MK2 ADC8_B	
NP ENG:			
MATERIAL:		SIZE: D	SCALE: NONE
MFG:		DWG. NO.:	2041831-XX
MFG ENG:		REV.:	D00
ISSUED:		DWG. FILE:	2041831-XX-D00.sch
		SHEET:	8 OF 13



OdBFS = 6.6Vp-p * 4.32 = 28.5Vp-p (22.3dBu)
 DAC output OdBFS = 6.6Vp-p = 9.6dBu
 Av = 4.32 = 12.7dB
 2nd Order Butterworth, fc = 50kHz

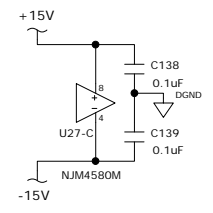
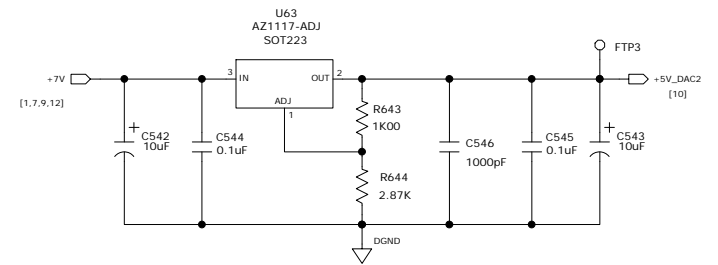
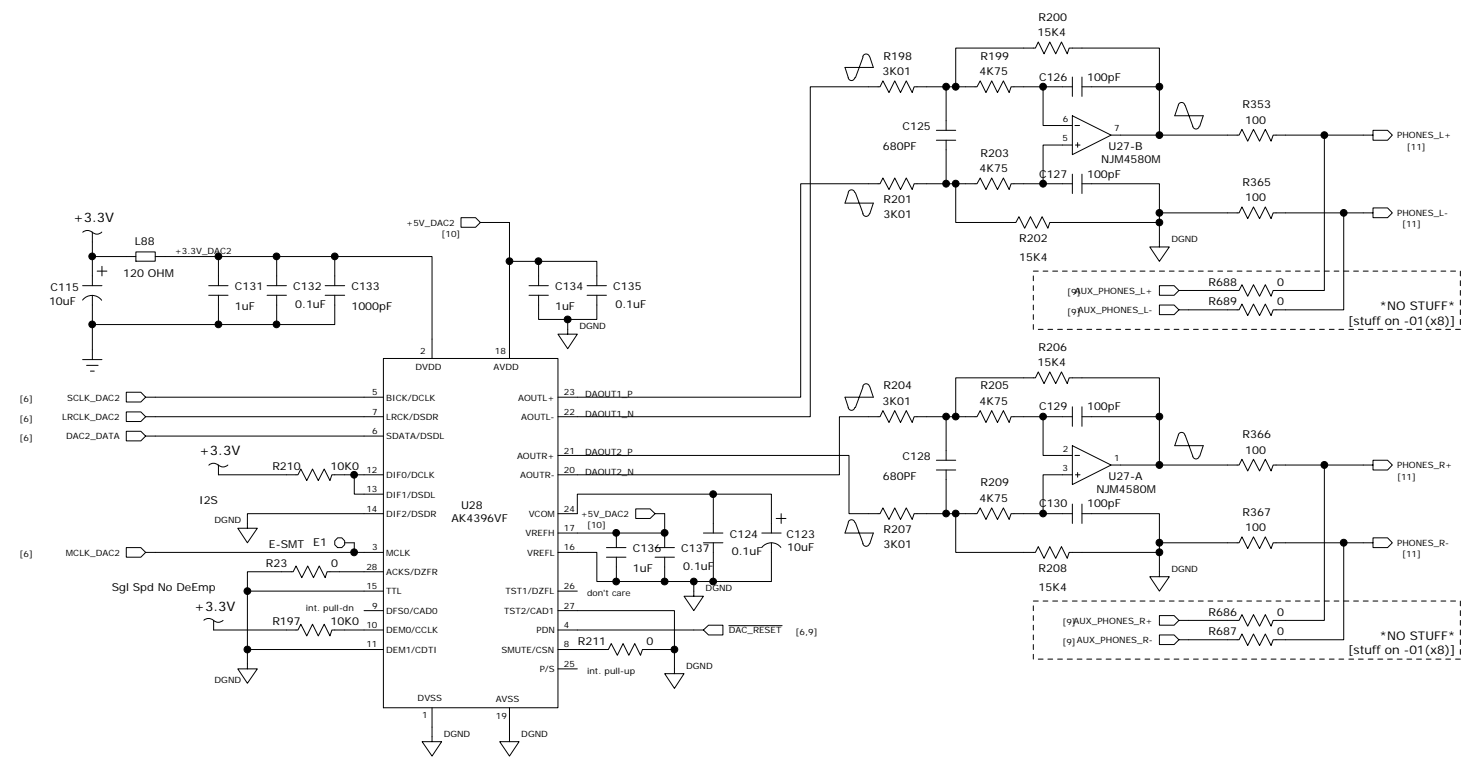
ALL COMPONENTS AND TRACES ON THIS PAGE OVER 'ANALOG GROUND' AREA

© 2011 LOUD TECHNOLOGIES INC.
 ALL RIGHTS RESERVED
 THE INFORMATION CONTAINED HEREIN
 IS PROPRIETARY AND CONFIDENTIAL
 PROPERTY OF LOUD TECHNOLOGIES INC.

APPROVALS	DATE	LOUD Technologies Inc.	
DRAWN:		16220 WOOD-RED RD NE WOODINVILLE, WA 98072	
CHECKED:		DL806/DL1608 MAIN MK2	
NP ENG:		DAC8	
MATERIAL:		SIZE: D	SCALE: NONE
MFG:		DWG. NO.:	2041831-XX
MFG ENG:		REV.:	D00
ISSUED:		DWG FILE:	2041831-XX-D00.sch
		SHEET:	9 OF 13

$OdBFS = 5.6Vp-p * 5.12 = 28.7Vp-p (22.3dBu)$


DAC output $OdBFS = 5.6Vp-p = 2.0Vrms (typ) = 8.2dBu$ $Av = 5.12 = 14.2dB$
 2nd Order Butterworth, $fc = 50kHz$

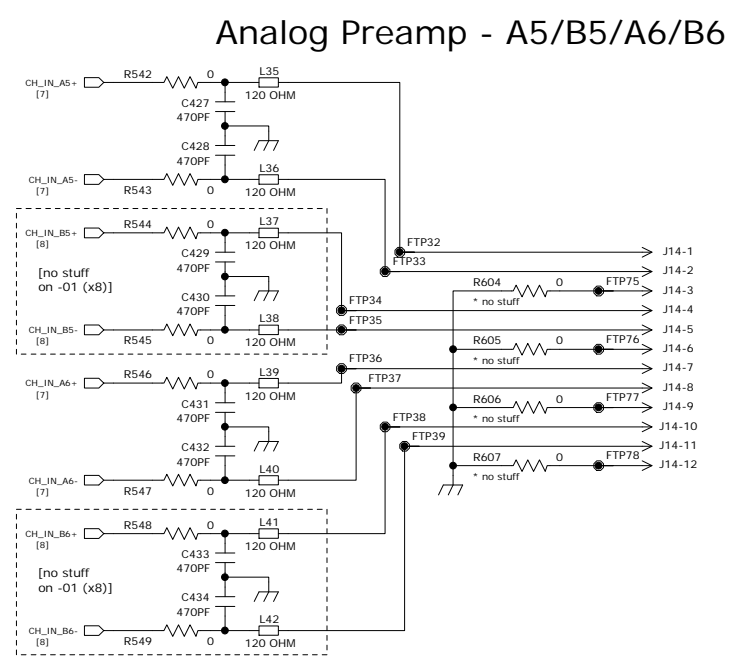
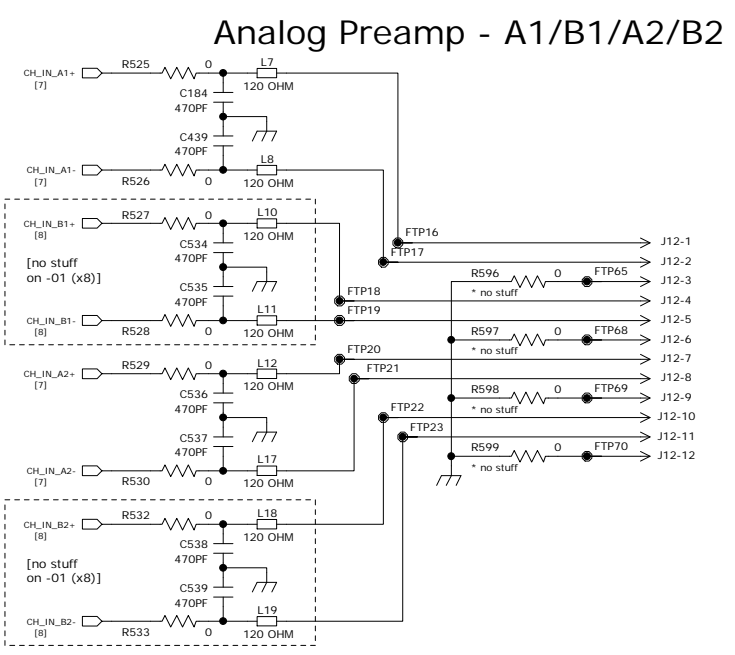
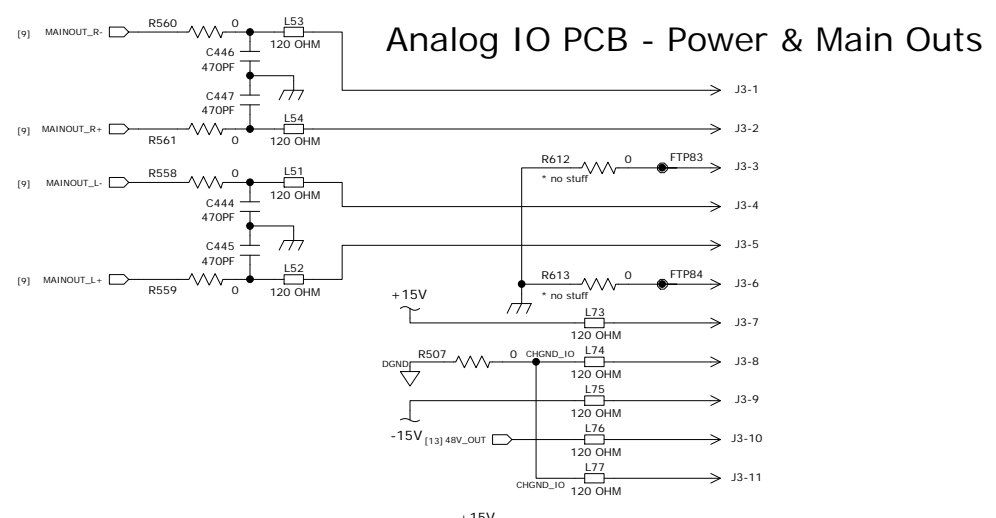


No-stuff on -01 (Small x8)

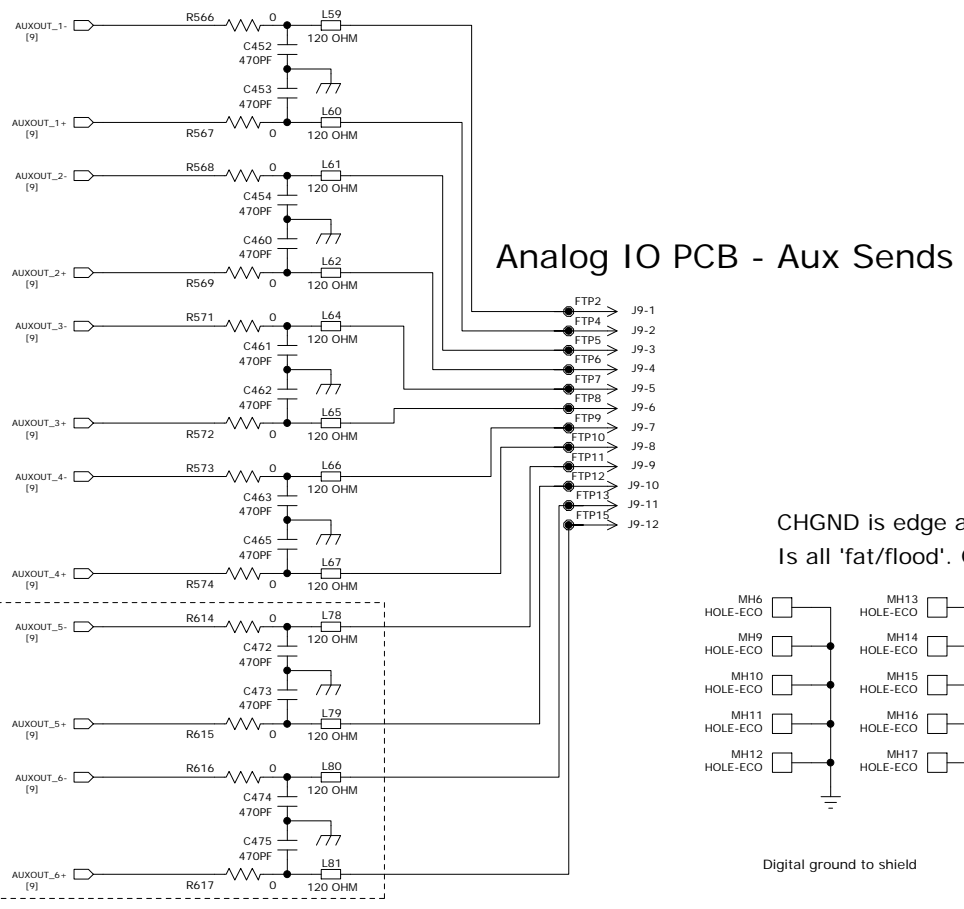
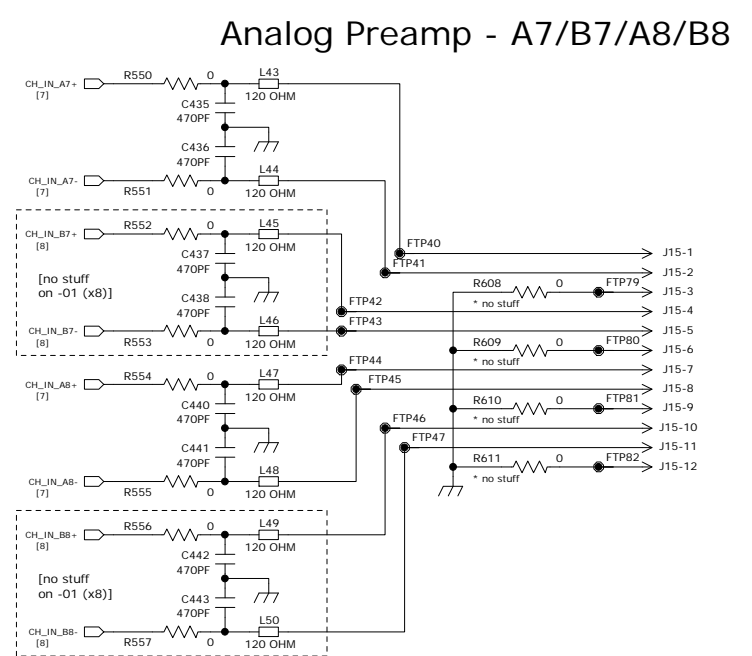
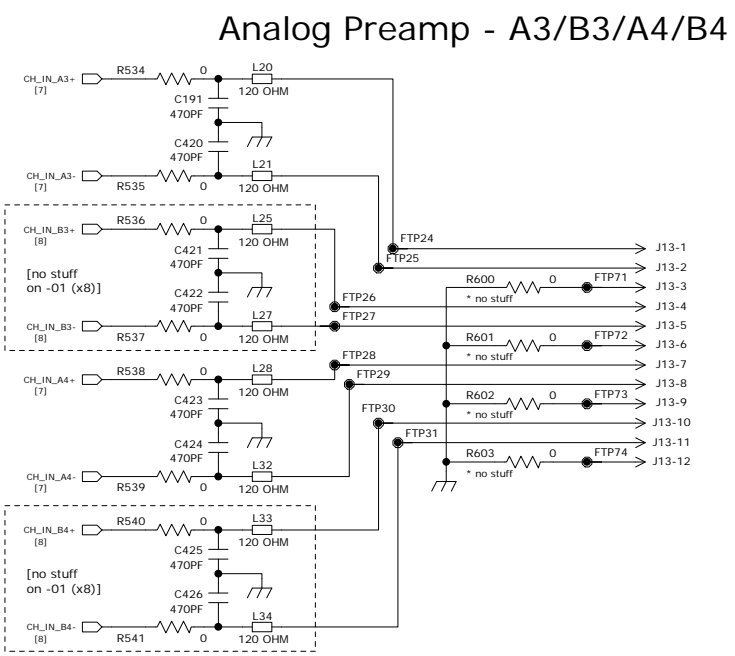
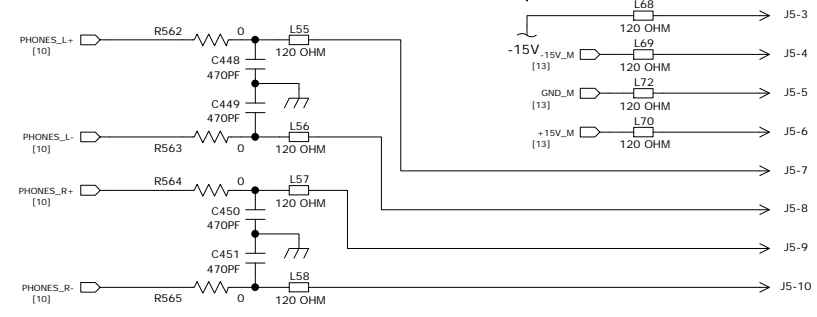
ALL COMPONENTS AND TRACES ON THIS PAGE OVER 'ANALOG GROUND' AREA

© 2011 LOUD TECHNOLOGIES INC.
 ALL RIGHTS RESERVED
 THE INFORMATION CONTAINED HEREIN
 IS PROPRIETARY AND CONFIDENTIAL
 PROPERTY OF LOUD TECHNOLOGIES INC.

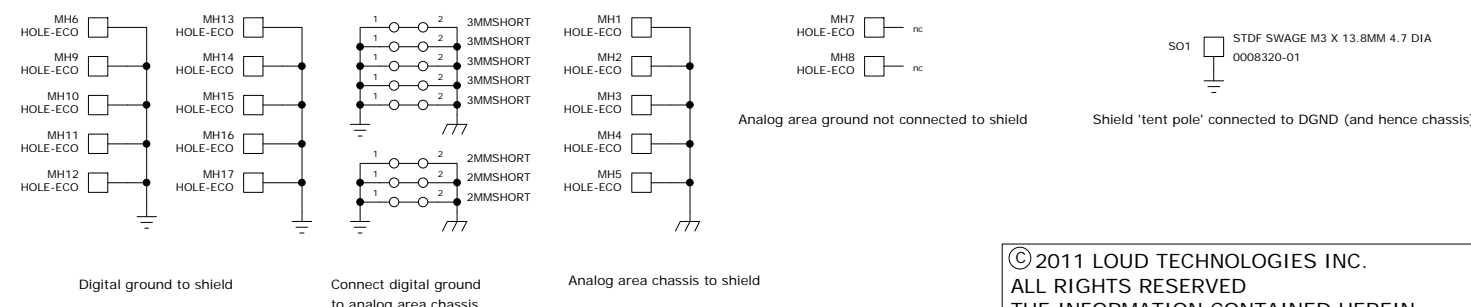
APPROVALS	DATE	 LOUD Technologies Inc. 16220 WOOD-RED RD NE WOODINVILLE, WA 98072
DRAWN:		
CHECKED:		
NP ENG:		
MATERIAL:		
MFG:		
MFG ENG:		DL806/DL1608 MAIN MK2 DAC2
ISSUED:		SIZE: D SCALE: NONE DWG. NO. 2041831-XX REV. D00 DWG FILE: 2041831-XX-D00.sch SHEET 10 OF 13



Analog Preamp PCB - Power/Phones



CHGND is edge area around analog for shield - on top or bottom
Is all 'fat/flood'. Connects to Main Ground in digital area

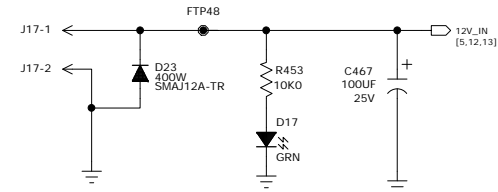


© 2011 LOUD TECHNOLOGIES INC.
ALL RIGHTS RESERVED
THE INFORMATION CONTAINED HEREIN
IS PROPRIETARY AND CONFIDENTIAL
PROPERTY OF LOUD TECHNOLOGIES INC.

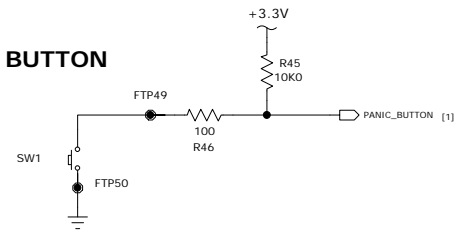
APPROVALS	DATE	LOUD Technologies Inc.	
DRAWN:		16220 WOOD-RED RD NE WOODINVILLE, WA 98072	
CHECKED:		DL806/DL1608 MAIN MK2	
NP ENG:		ANALOG_CONN	
MATERIAL:		SIZE: D	SCALE: NONE
MFG:		DWG. NO.:	2041831-XX
MFG ENG:		REV.:	D00
ISSUED:		DWG. FILE:	2041831-XX-D00.sch
		SHEET:	11 OF 13

Vin = 12V, Vout = 1.1V @ 1.5A, 3.3V @ 1A, 7V @ 500mA

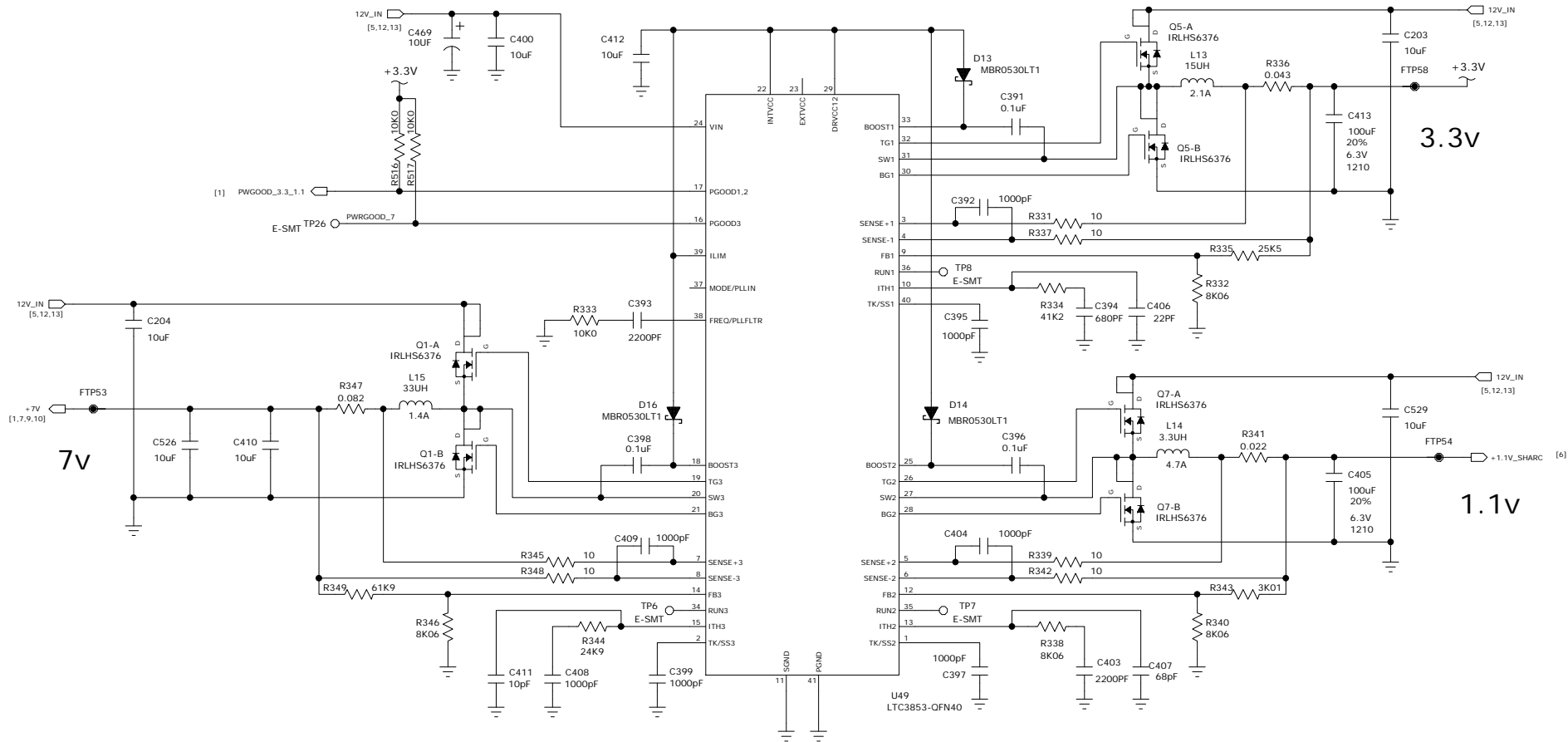
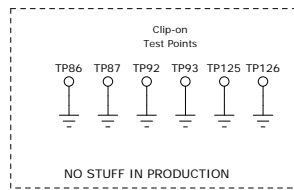
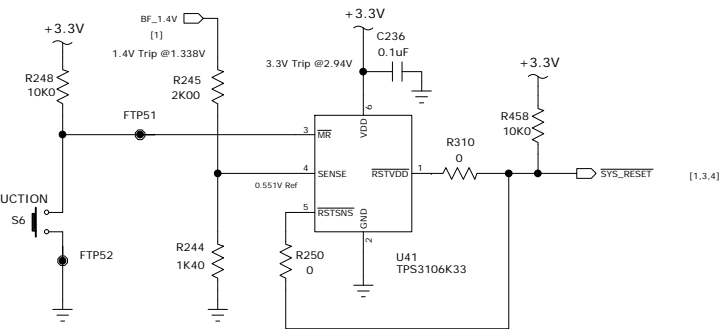
SWITCHED 12V INPUT



PANIC BUTTON




RESET



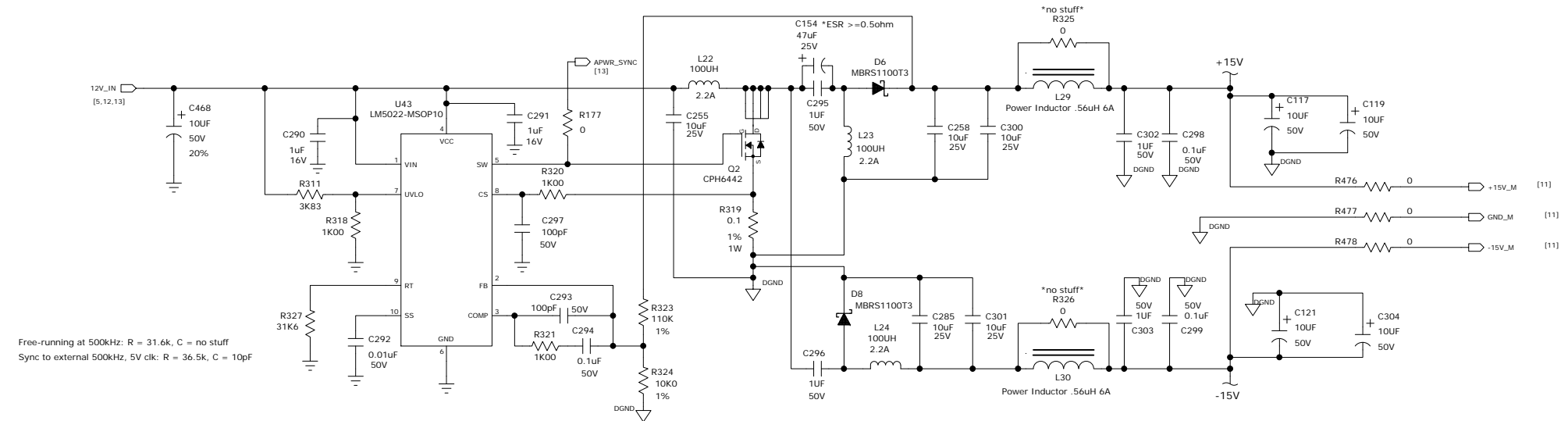
3.3v

1.1v

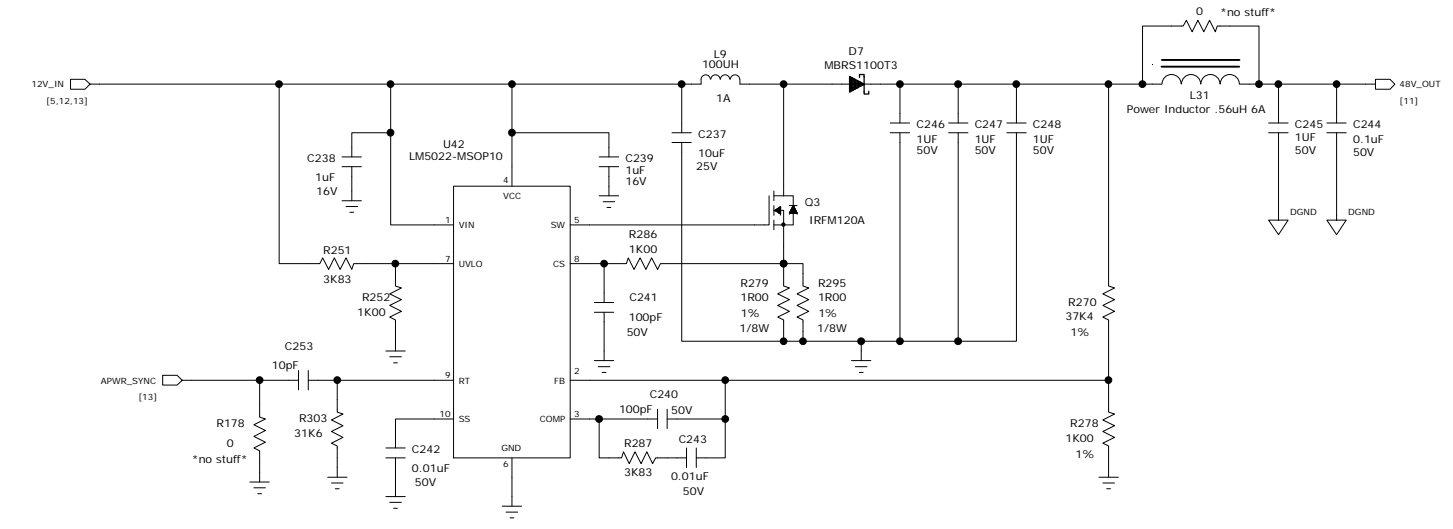
APPROVALS	DATE	 LOUD Technologies Inc. 16220 WOOD-RED RD NE WOODINVILLE, WA 98072	
DRAWN:			
CHECKED:			
NP ENG:			
MATERIAL:			
MFG:			
DL806/DL1608 MAIN MK2 POWER			
SIZE	SCALE: NONE	DWG. NO. 2041831-XX	REV. D00
ISSUED:	DWG FILE: 2041831-XX-D00.sch	SHEET 12 OF 13	


© 2011 LOUD TECHNOLOGIES INC. ALL RIGHTS RESERVED THE INFORMATION CONTAINED HEREIN IS PROPRIETARY AND CONFIDENTIAL PROPERTY OF LOUD TECHNOLOGIES INC.

Vin = 12V, Vout = +/-15V @ 500mA



Vin = 7V to 14V, Vout = 48V @ 125mA



APPROVALS	DATE	 LOUD Technologies Inc. 16220 WOOD-RED RD NE WOODINVILLE, WA 98072
DRAWN:		
CHECKED:		
NP ENG:		
MATERIAL:		
MFG:		
DL806/DL1608 MAIN MK2 ANALOG_POWER		REV. D00
SIZE	SCALE: NONE	DWG. NO. 2041831-XX
MFG ENG:		
ISSUED:		
DWG FILE: 2041831-XX-D00.sch		SHEET 13 OF 13

© 2011 LOUD TECHNOLOGIES INC.
 ALL RIGHTS RESERVED
 THE INFORMATION CONTAINED HEREIN
 IS PROPRIETARY AND CONFIDENTIAL
 PROPERTY OF LOUD TECHNOLOGIES INC.