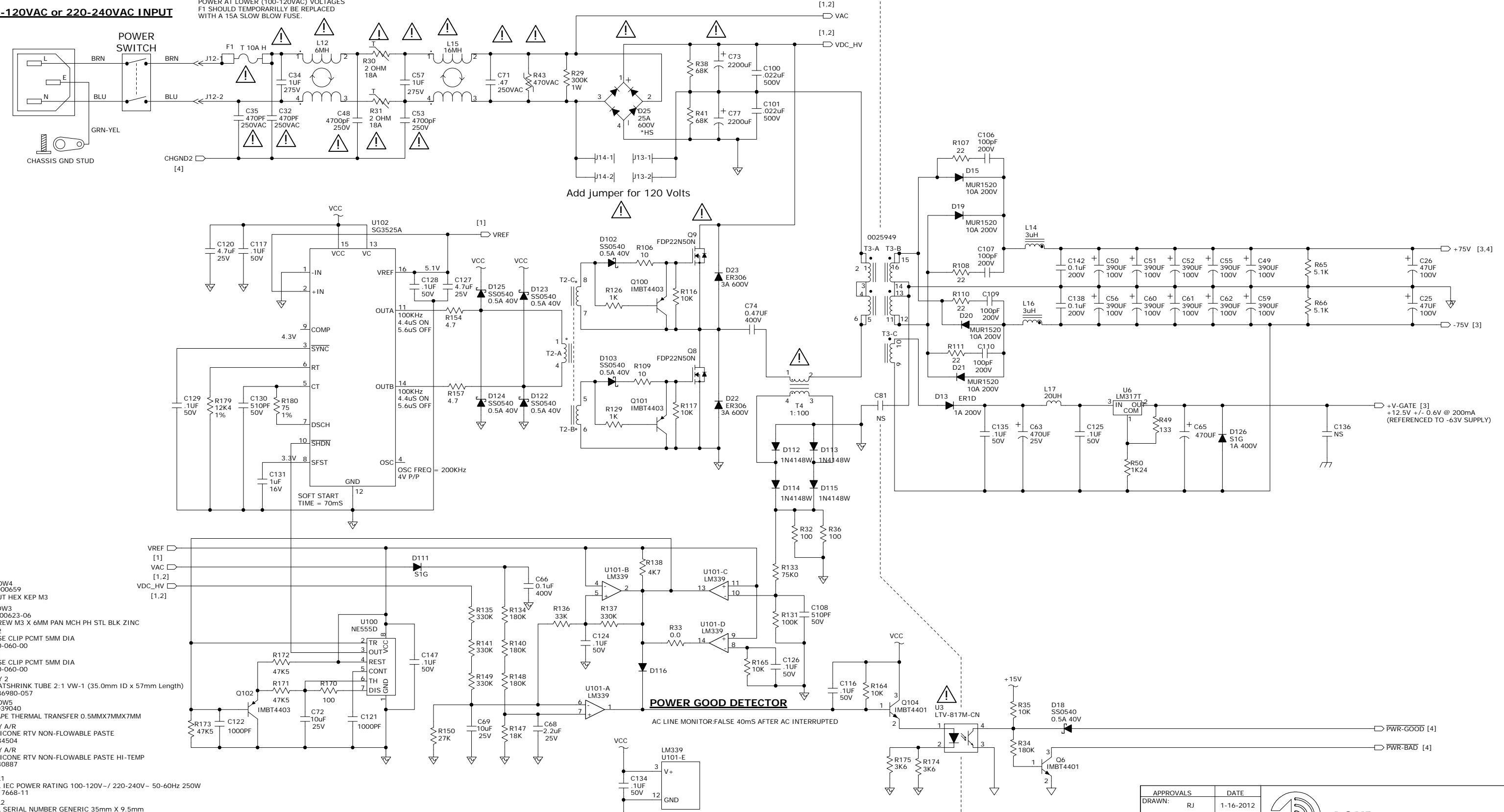


**100-120VAC or 220-240VAC INPUT**

NOTE: F1 SIZED TO ONLY ALLOW FOR FULL OUTPUT POWER DELIVERY AT 240VAC. WHEN SERVICING AND CHECKING FULL POWER AT LOWER (100-120VAC) VOLTAGES F1 SHOULD TEMPORARILLY BE REPLACED WITH A 15A SLOW BLOW FUSE.

**PRIMARY COMPONENTS**

**SECONDARY COMPONENTS**



- HDW4 0000659 NUT HEX KEP M3
- HDW3 0000623-06 SCREW M3 X 6MM PAN MCH PH STL BLK ZINC
- FC2 FUSE CLIP PCMT 5MM DIA 400-060-00
- FC1 FUSE CLIP PCMT 5MM DIA 400-060-00
- QTY 2 HEATSHRINK TUBE 2:1 VW-1 (35.0mm ID x 57mm Length) 2036980-057
- HDW5 2039040 TAPE THERMAL TRANSFER 0.5MMX7MMX7MM
- QTY A/R SILICONE RTV NON-FLOWABLE PASTE 2034504
- QTY A/R SILICONE RTV NON-FLOWABLE PASTE HI-TEMP 2040887
- LBL1 LBL IEC POWER RATING 100-120V~/220-240V- 50-60Hz 250W 0017668-11
- LBL2 LBL SERIAL NUMBER GENERIC 35mm X 9.5mm 0032856
- COMP1 COMP PACK MACKIE NANO SHADOW COMPO617

- SCH1 SCHEMATIC PCB ASSY NANO SHADOW 2039275-XX
- PCB1 PCB FAB NANO SHADOW 2039274-03

**POWER GOOD DETECTOR**


AC LINE MONITOR: FALSE 40ms AFTER AC INTERRUPTED

**PRIMARY COMPONENTS**

**SECONDARY COMPONENTS**

© 2012-2013 LOUD TECHNOLOGIES INC. ALL RIGHTS RESERVED THE INFORMATION CONTAINED HEREIN IS PROPRIETARY AND CONFIDENTIAL PROPERTY OF LOUD TECHNOLOGIES INC.

APPROVALS	DATE
DRAWN: RJ	1-16-2012
CHECKED:	
NP ENG: Cam Jones Rene Jaeger	
MATERIAL:	
MFG:	
MFG ENG:	
ISSUED:	



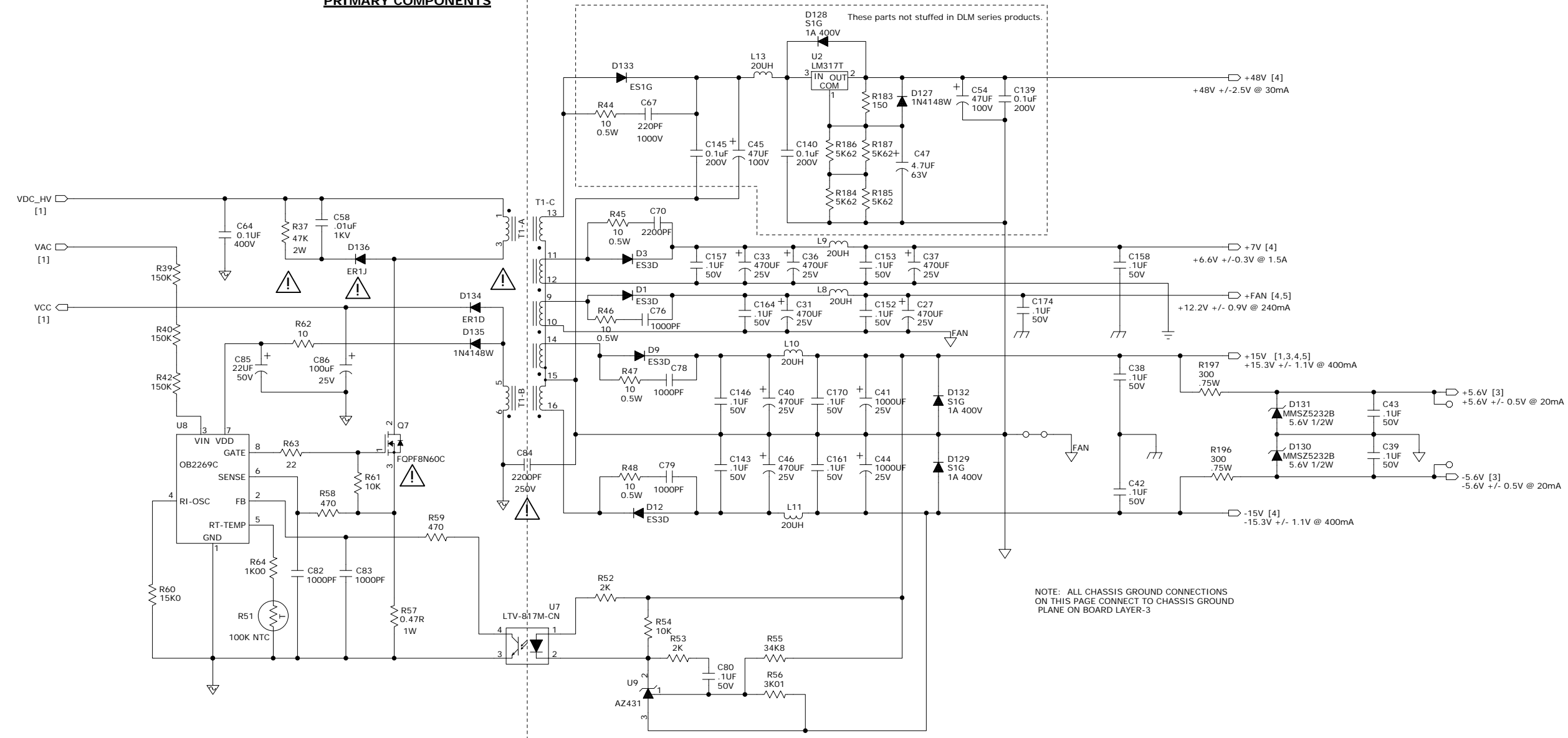
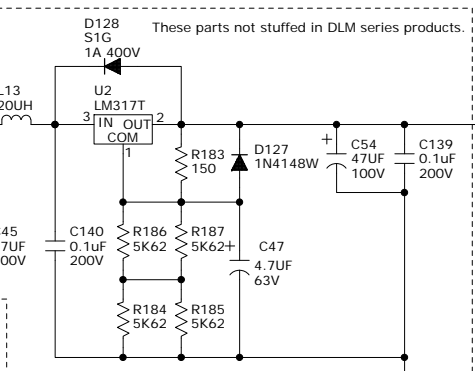
**LOUD Technologies Inc.**  
16220 WOOD-RED RD NE WOODINVILLE, WA 98072

**SCH, NANO SHADOW  
INPUT\_Q-RES\_SUPPLY**

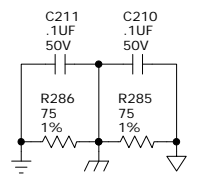
SIZE SCALE: D NONE	DWG. NO. 2039275-XX	REV. D01
DWG FILE: 2039275-XX-D01.sch		SHEET 1 OF 5

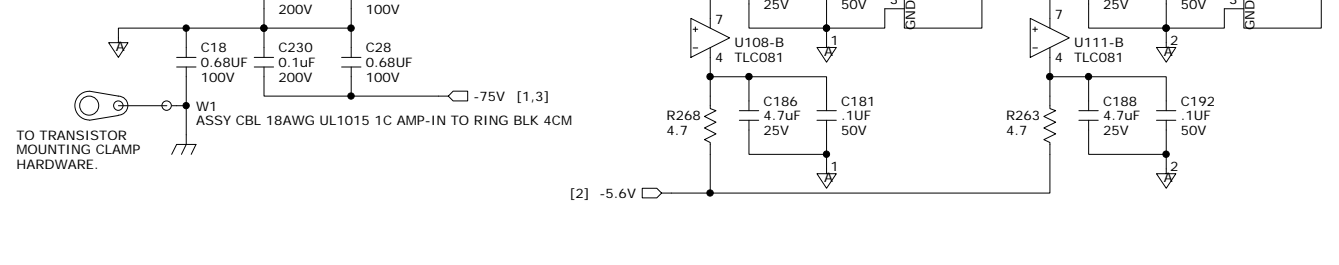
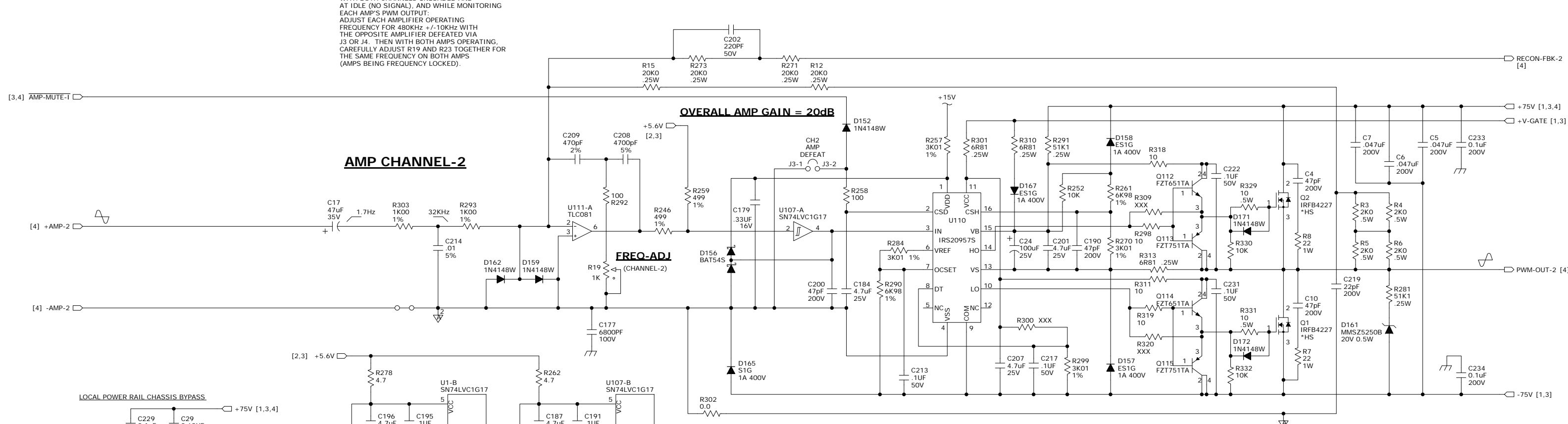
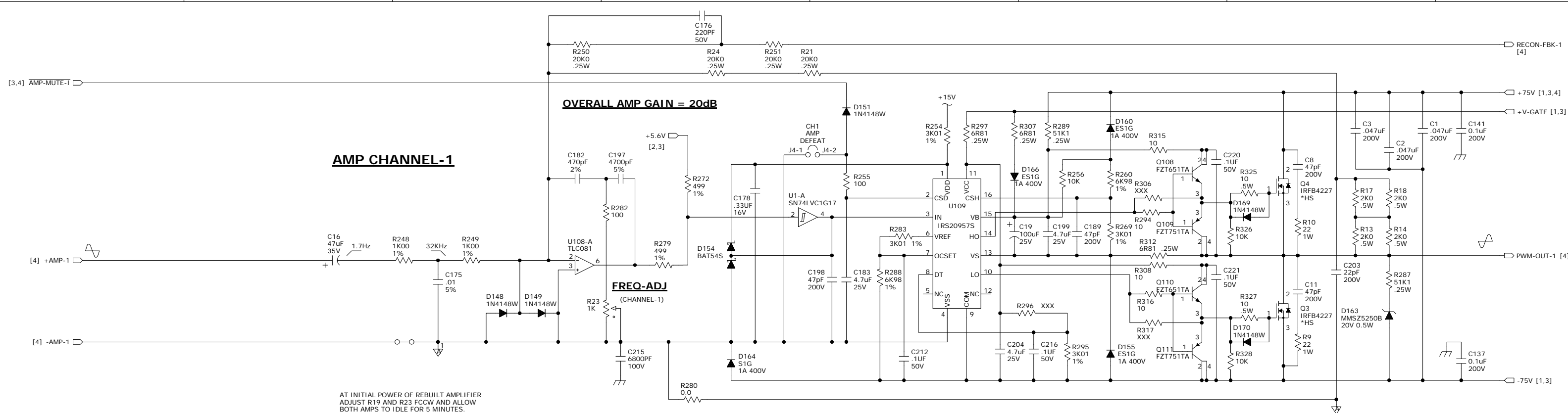
PRIMARY COMPONENTS

SECONDARY COMPONENTS



NOTE: ALL CHASSIS GROUND CONNECTIONS ON THIS PAGE CONNECT TO CHASSIS GROUND PLANE ON BOARD LAYER-3

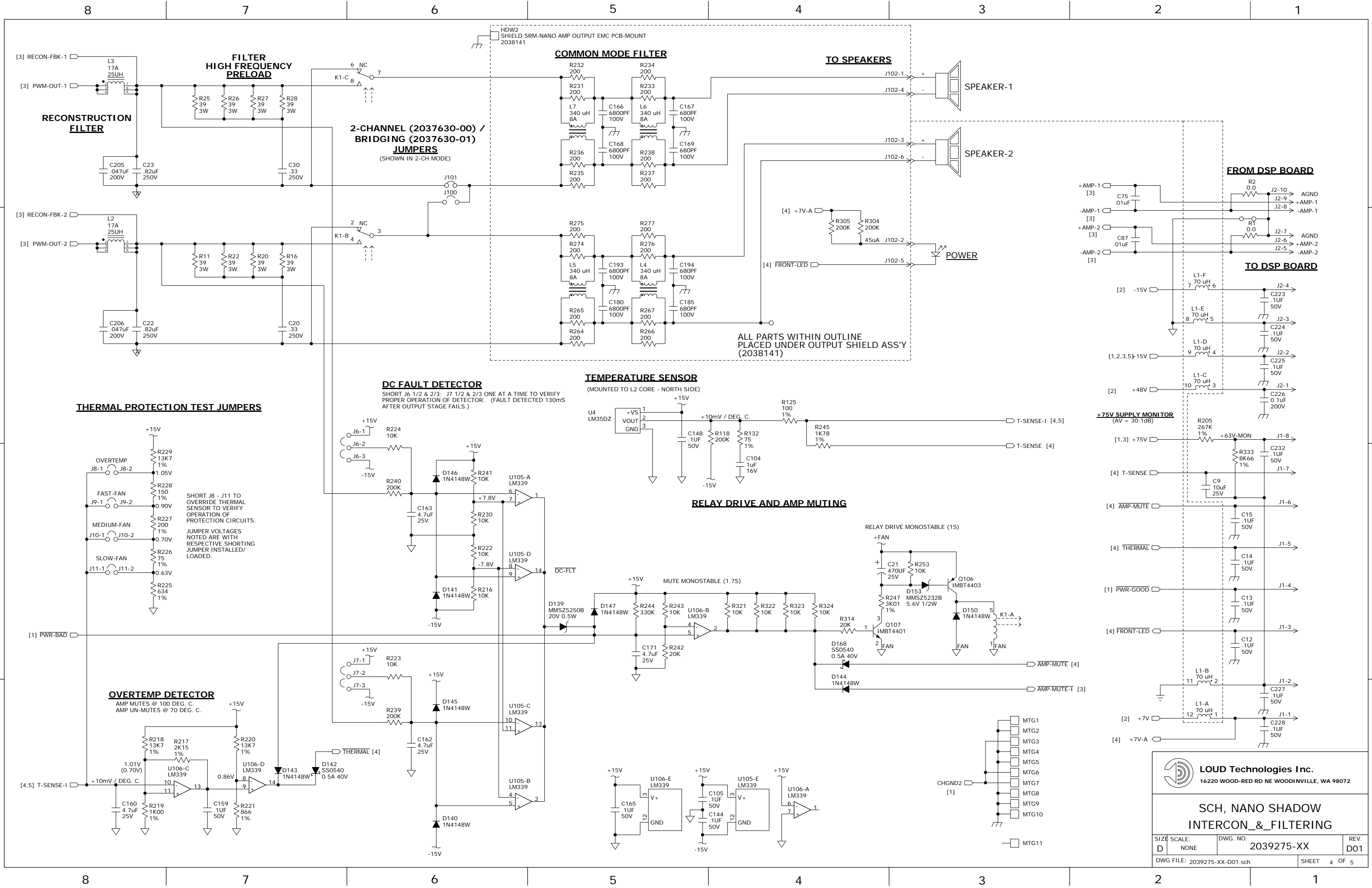




**LOUD Technologies Inc.**  
 16220 WOOD-RED RD NE WOODINVILLE, WA 98072

**SCH, NANO SHADOW  
 POWER\_AMP**

SIZE	SCALE:	DWG. NO.	REV.
D	NONE	2039275-XX	D01
DWG FILE: 2039275-XX-D01.sch		SHEET 3 OF 5	



**RECONSTRUCTION FILTER**

**FILTER HIGH FREQUENCY PRELOAD**

**COMMON MODE FILTER**

**TO SPEAKERS**

**2-CHANNEL (2037630-00) / BRIDGING (2037630-01) JUMPERS**  
(SHOWN IN 2-CH MODE)

**THERMAL PROTECTION TEST JUMPERS**

**DC FAULT DETECTOR**  
SHORT J6 1/2 & 2/3; J7 1/2 & 2/3 ONE AT A TIME TO VERIFY PROPER OPERATION OF DETECTOR. (FAULT DETECTED 130ms AFTER OUTPUT STAGE FAILS.)

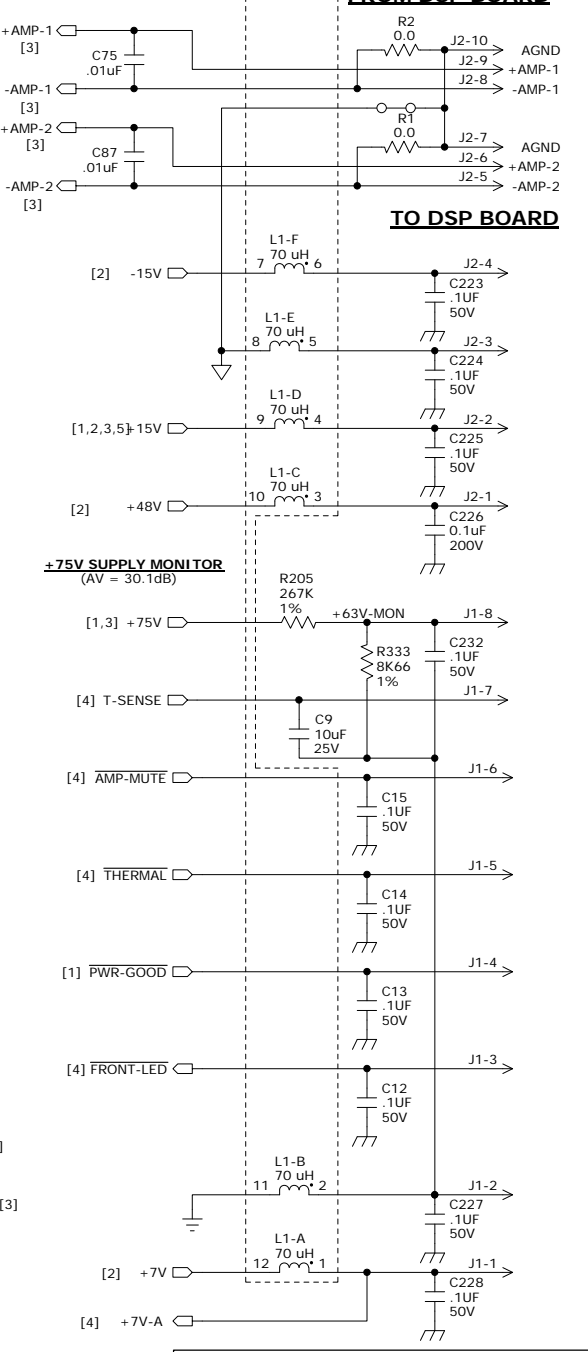
**TEMPERATURE SENSOR**  
(MOUNTED TO L2 CORE - NORTH SIDE)

**RELAY DRIVE AND AMP MUTING**

**OVERTEMP DETECTOR**  
AMP MUTES @ 100 DEG. C.  
AMP UN-MUTES @ 70 DEG. C.

**FROM DSP BOARD**

**TO DSP BOARD**



**LOUD Technologies Inc.**  
16220 WOOD-RED RD NE WOODINVILLE, WA 98072

**SCH, NANO SHADOW INTERCON & FILTERING**

SIZE: D	SCALE: NONE	DWG. NO.: 2039275-XX	REV. D01
DWG FILE: 2039275-XX-D01.sch		SHEET 4 OF 5	

- MTG1
- MTG2
- MTG3
- MTG4
- MTG5
- MTG6
- MTG7
- MTG8
- MTG9
- MTG10
- MTG11

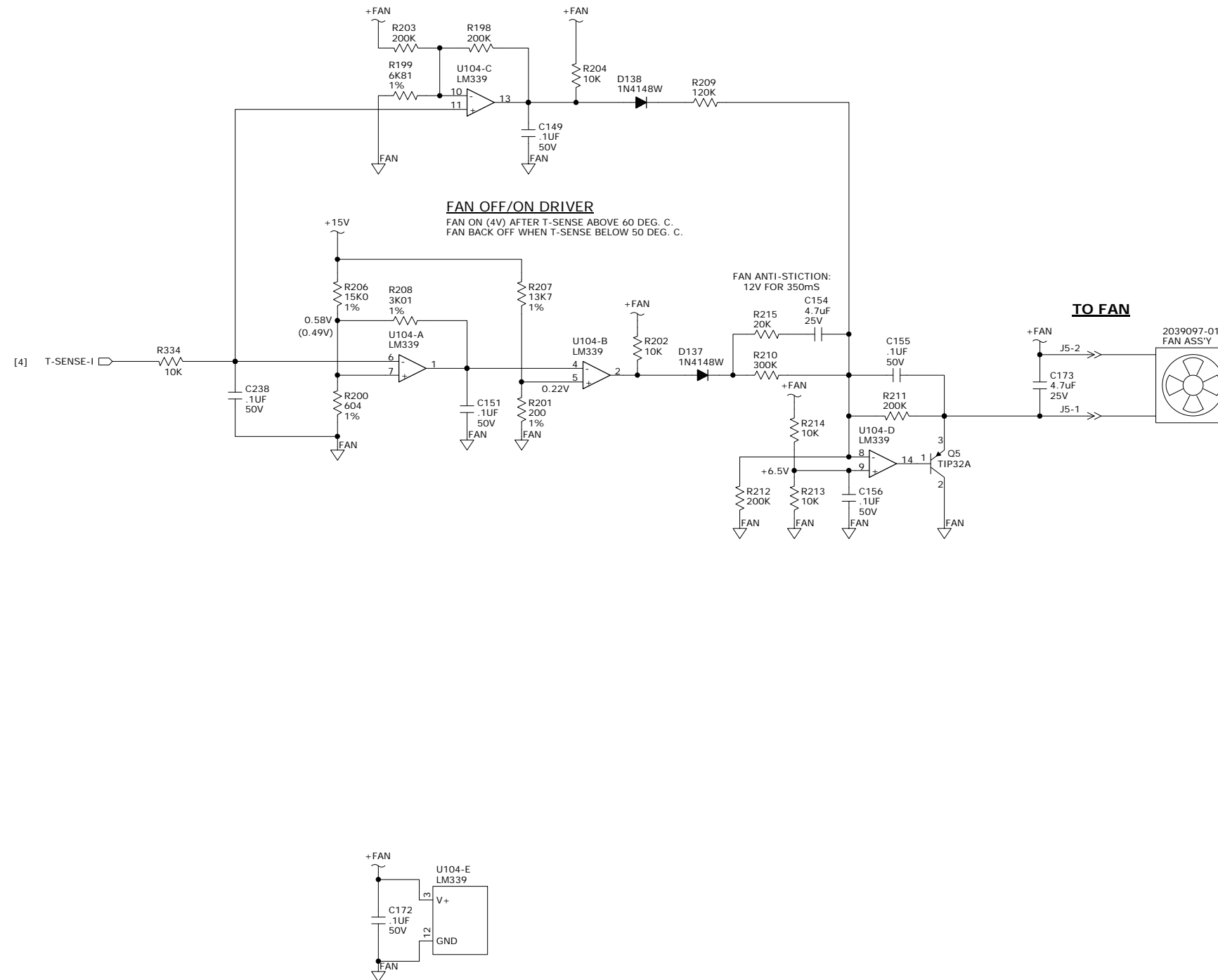
ALL PARTS WITHIN OUTLINE PLACED UNDER OUTPUT SHIELD ASS'Y (2038141)

**VARIABLE SPEED FAN DRIVER**

FAN @ 4V WHEN T-SENSE 63 DEG C. OR BELOW.  
FAN VOLTAGE RAMPES FROM 4V TO 12V FROM 63 DEG. C. TO 79 DEG C.

**FAN OFF/ON DRIVER**

FAN ON (4V) AFTER T-SENSE ABOVE 60 DEG. C.  
FAN BACK OFF WHEN T-SENSE BELOW 50 DEG. C.



**LOUD Technologies Inc.**  
 16220 WOOD-RED RD NE WOODINVILLE, WA 98072

**SCH, NANO SHADOW  
 FAN\_DRIVER**

SIZE	SCALE:	DWG. NO.	REV.
D	NONE	2039275-XX	D01
DWG FILE: 2039275-XX-D01.sch			SHEET 5 OF 5