

PCB PART No 0027669-00

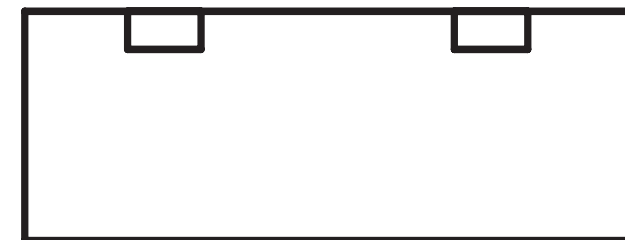
0025483-00 PCB ASSY DISPLAY BOARD FRS SERIES

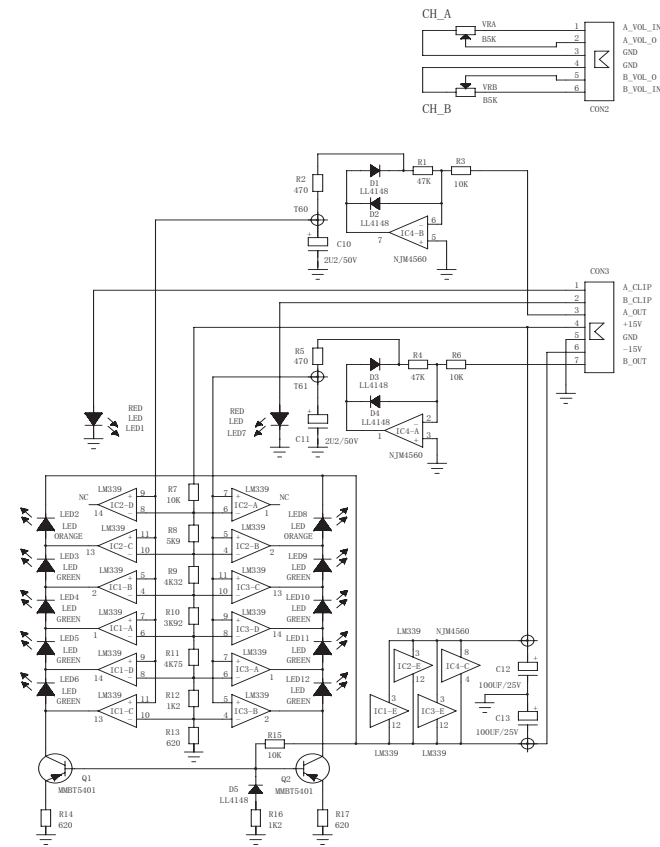
FRS SERIES
 DISPLAY BOARD
 REV:A00
 09.18.2007

CON3



CON2





APPROVALS		DATE		MACKIE ™			
DRAWN: YOUNG		24.12.2007					
CHECKED:				FRS SERIES DISPLAY BOARD			
NP ENGINEERING:							
MATERIAL:							
MANUFACTURING:							
MFG ENGINEERING:				SIZE: A3	SCALE: NONE	DWG. NO. 0025483-00	REV. A00
ISSUED:				FILE:	LABEL	SHEET 1 OF 1	