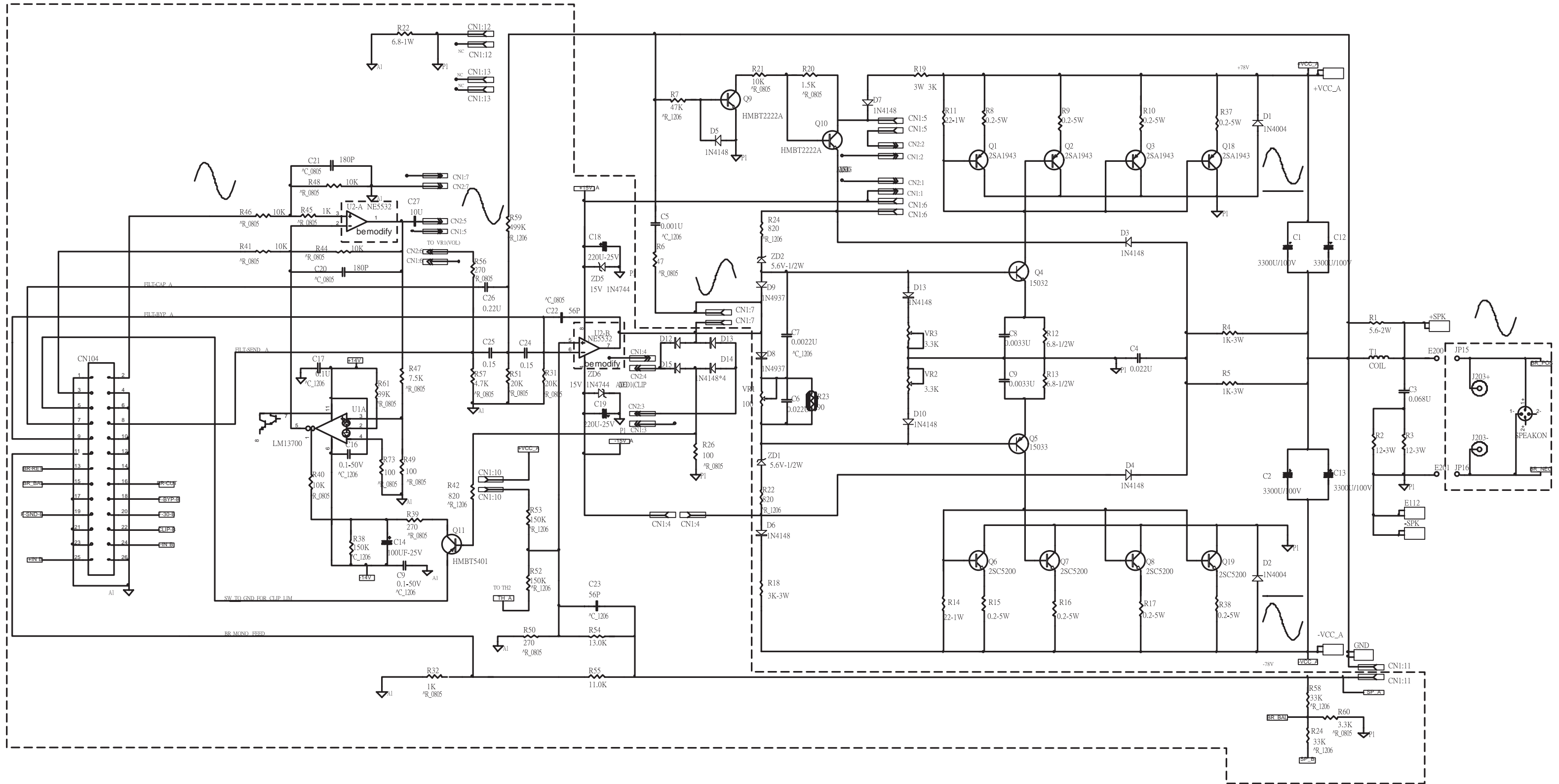
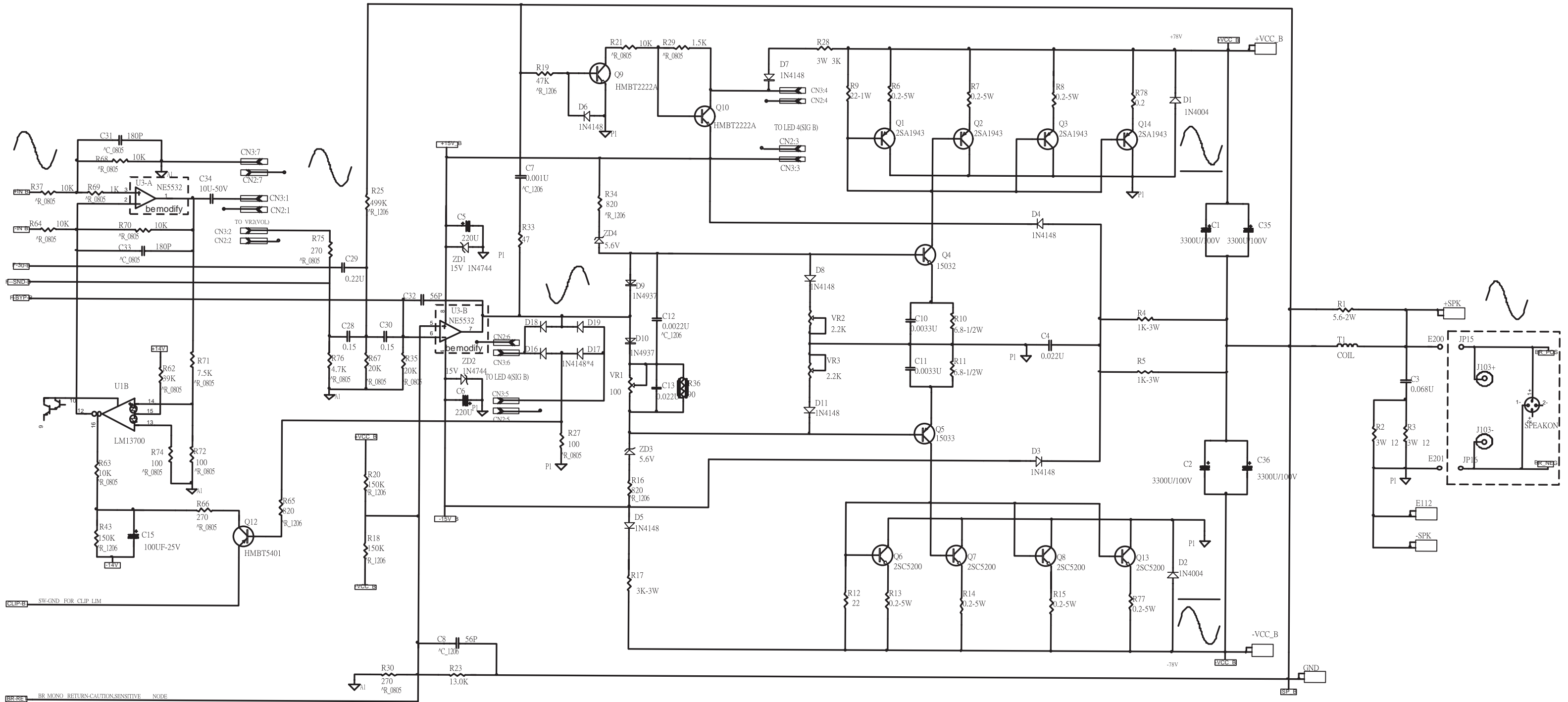
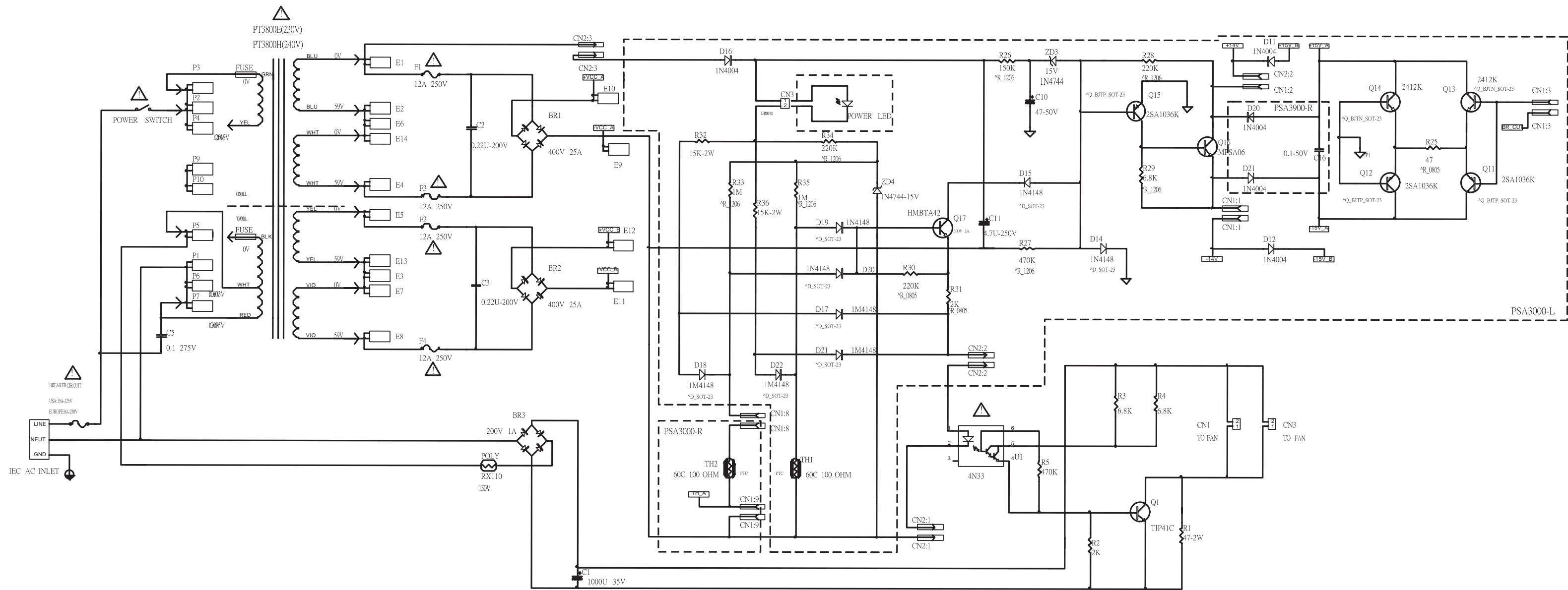


CHANNEL-A



CHANNEL-B





Power Supply

