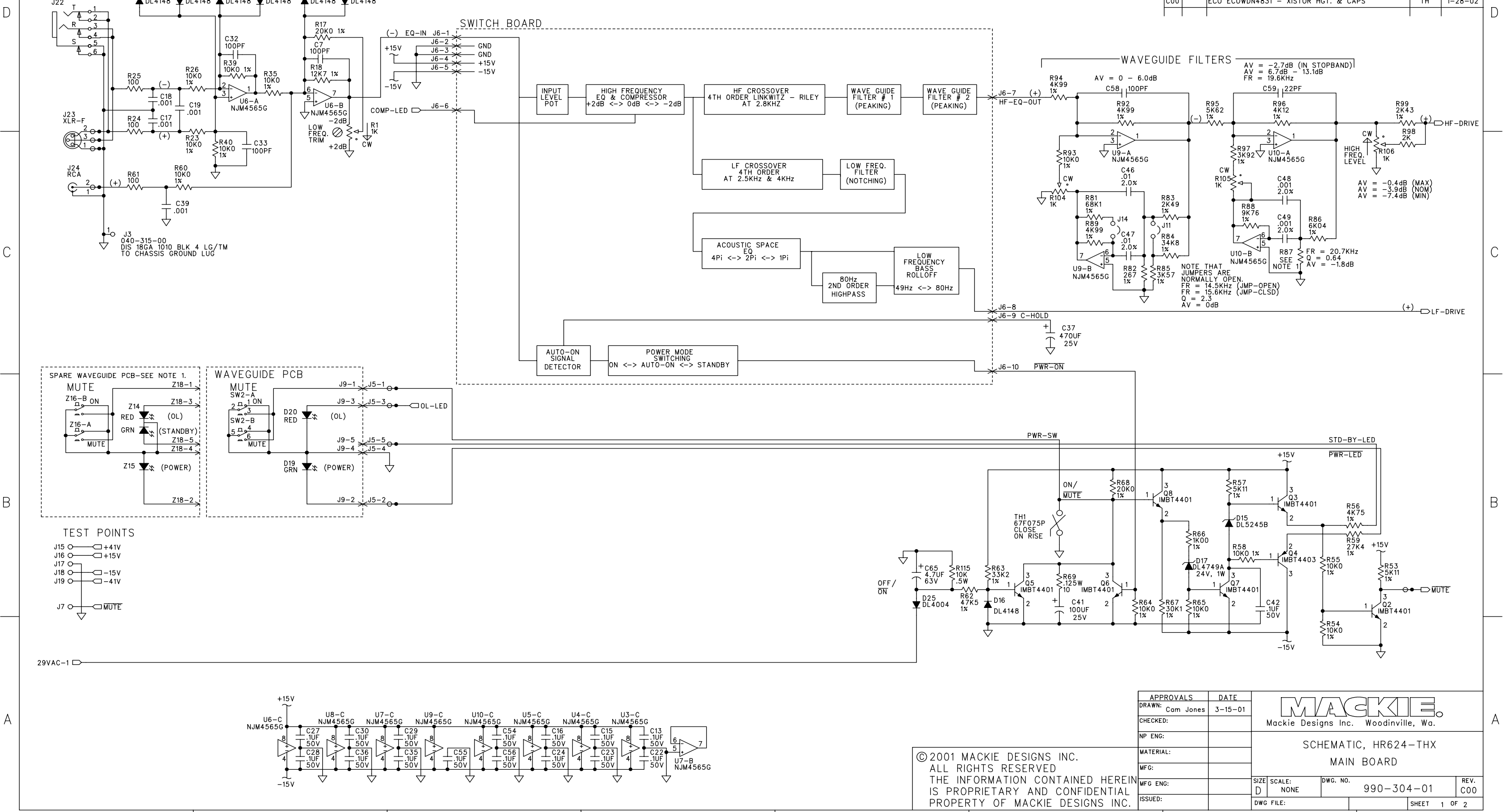


NOTES: 1. PCB DATABASE USES ASSEMBLY OPTION 055-304-01 NOT INSTALLED: R87, Z14-16,Z18  
 2. IF IMPORTING A BOM INTO AGILE, MANUALLY EDIT QTY OF 730-028-00 TO 0 (DENOTES A/R)

REV.	ECO#	DESCRIPTION	REV. BY:	DATE
A		PRODUCTION RELEASE.	JJI	10-22-01
B	4543	(D) 700-030-04 & 705-001-00 FROM BOM		
	4579	UPDATE V-TRIM POT PCB DECALS	KR	11-14-01
	4582	(C) QTY OF 730-028-00 TO 0 (DENOTES A/R)		
	4583	(C) R16 TO 11K0, C12 TO 0.12UF		
C00		ECO ECOWDN4831 - XISTOR HGT. & CAPS	TH	1-28-02



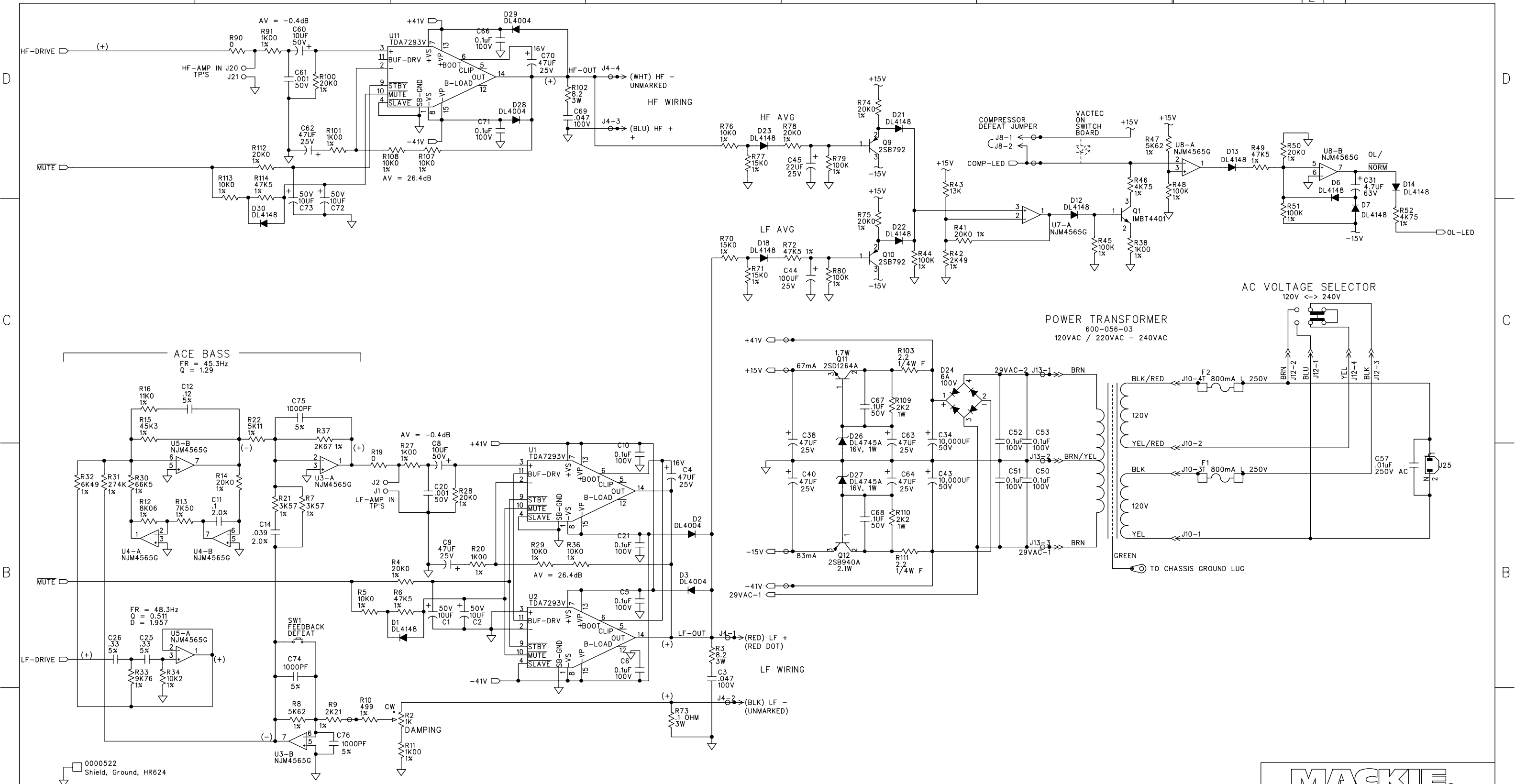
APPROVALS	DATE
DRAWN: Cam Jones	3-15-01
CHECKED:	
NP ENG:	
MATERIAL:	
MFG:	
MFG ENG:	
ISSUED:	

Mackie Designs Inc. Woodinville, Wa.

SCHEMATIC, HR624-THX  
MAIN BOARD

SIZE: D	SCALE: NONE	DWG. NO. 990-304-01	REV. C00
DWG FILE:		SHEET 1 OF 2	

© 2001 MACKIE DESIGNS INC. ALL RIGHTS RESERVED. THE INFORMATION CONTAINED HEREIN IS PROPRIETARY AND CONFIDENTIAL PROPERTY OF MACKIE DESIGNS INC.



- 0000522 Shield, Ground, HR624
- 450-304-02 PCB MAIN HR624 THX
- 730-038-00 JET MELT 3M 3779-Q QTY A/R
- 400-060-00 FUSE CLIP PCMT 5MM DIA
- 400-060-00 FUSE CLIP PCMT 5MM DIA

**MACKIE**  
Mackie Designs Inc. Woodinville, Wa.

SCHEMATIC, HR624-THX  
MAIN BOARD

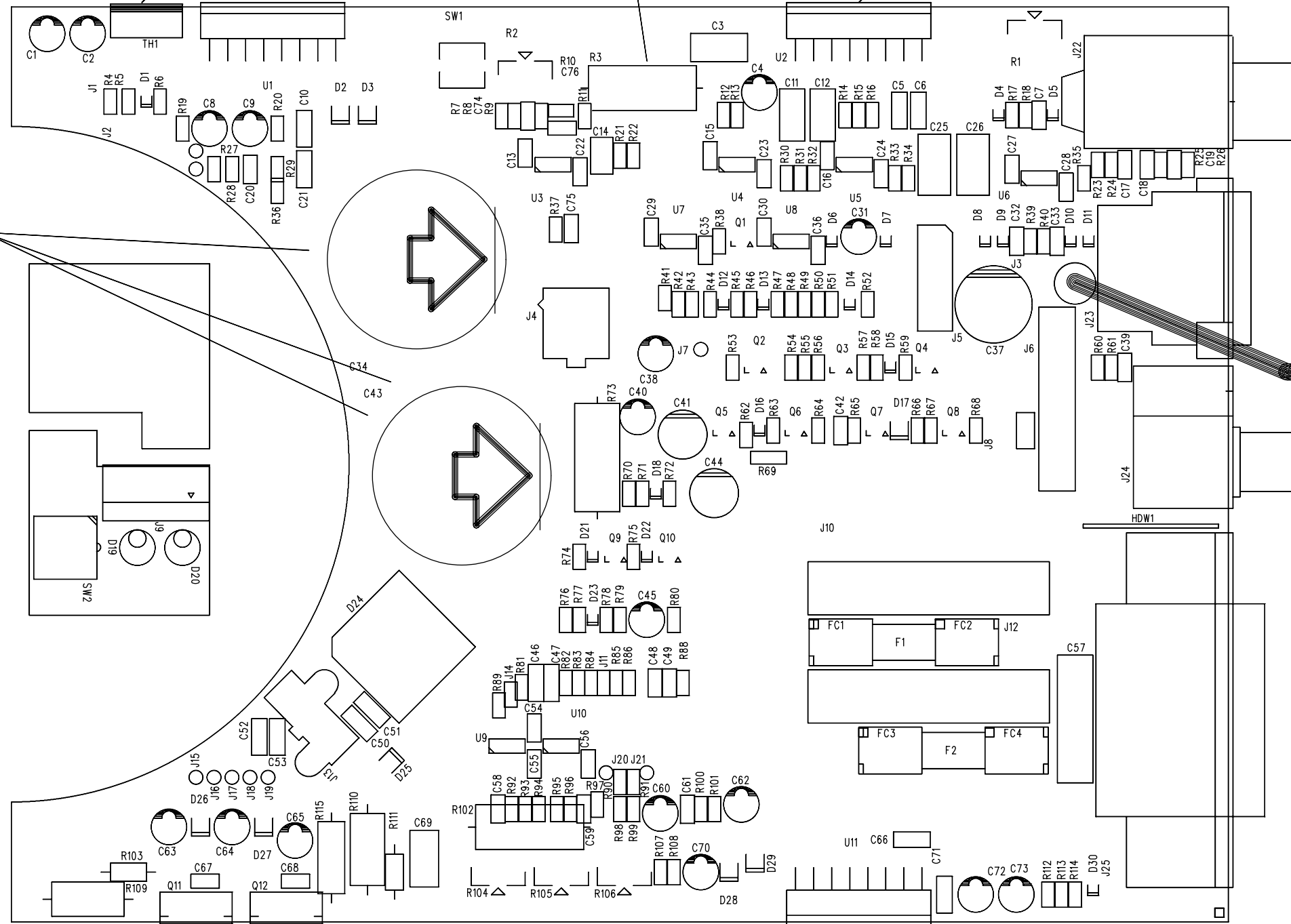
SIZE: D	SCALE: NONE	DWG. NO. 990-304-01	REV. C00
DWG FILE:		SHEET 2 OF 2	

2-PIN THERMISTAT  
TO MOUNT 0.900 OFF DECK.  
(MEASURED FROM TOP SIDE  
OF PCB TO CENTERLINE OF  
MOUNTING HOLE)

MOUNT ALL 1W AND 3W POWER RESISTORS  
A MINIMUM OF 0.300" OFF OF PCB.  
THIS INCLUDES R3, R73, R102, R109 & R110.

15-PIN POWER DEVICES (X3)  
TO MOUNT 0.760 OFF DECK.  
(MEASURED FROM TOP SIDE  
OF PCB TO CENTERLINE OF  
MOUNTING HOLE)

SECURE BOTH C34 AND C43 TO PCB  
AND TOGETHER USING MACKIE ADHESIVE  
730-038-00



040-315-00  
DIS 18GA 1010 BLK 4 LG/TM

3-PIN POWER DEVICES (X2)  
TO MOUNT 0.900 OFF DECK.  
(MEASURED FROM TOP SIDE  
OF PCB TO CENTERLINE OF  
MOUNTING HOLE)

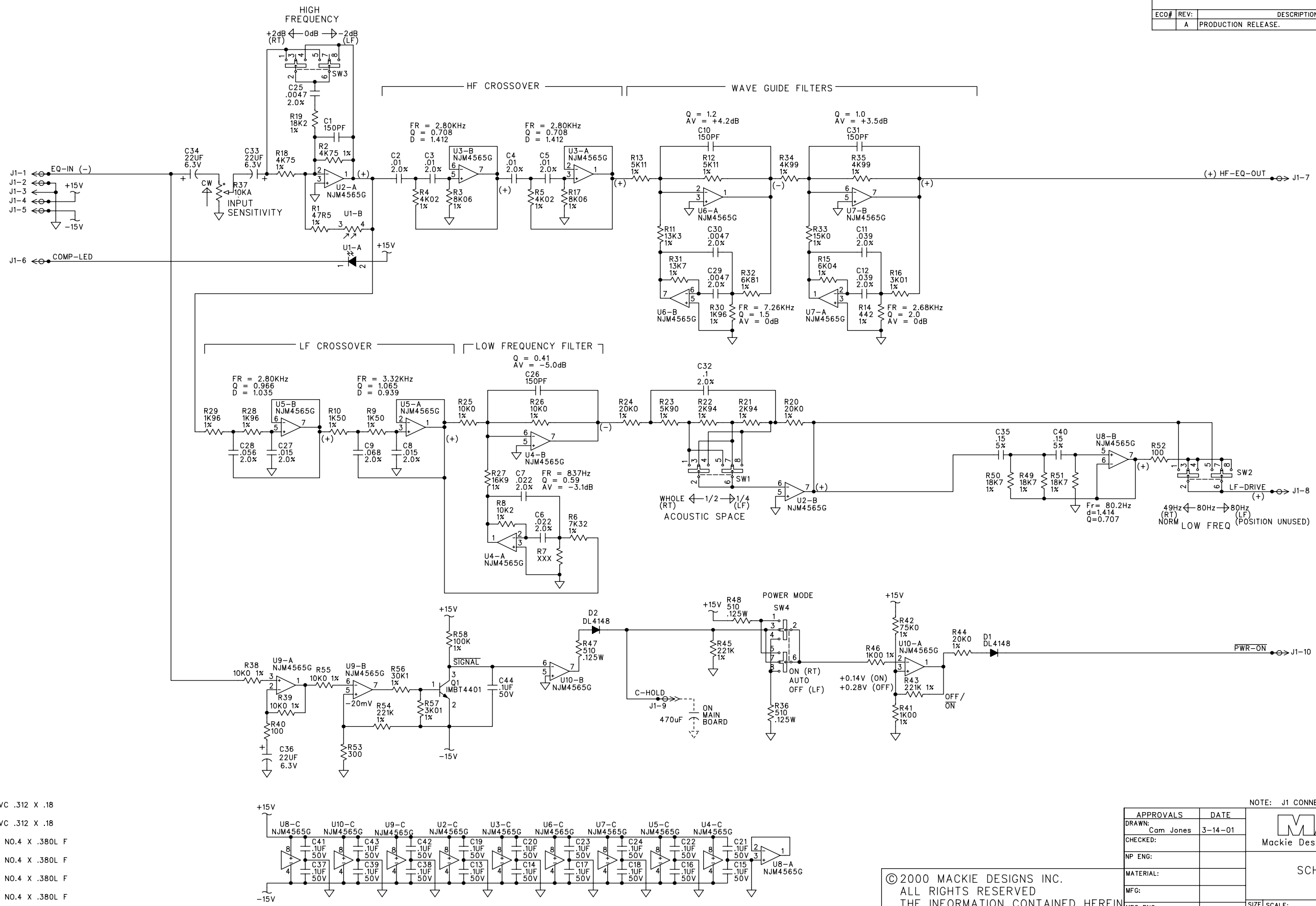
ECO#	REV:	DESCRIPTION	REV. BY:	APP. BY:	DATE
A		PRODUCTION RELEASE.	JJI		10-19-01

D

C

B

A



- 706-106-00 STDF PCB PVC .312 X .18
- 706-106-00 STDF PCB PVC .312 X .18
- 706-033-11 STDF SWAGE NO.4 X .380L F
- 706-033-11 STDF SWAGE NO.4 X .380L F
- 706-033-11 STDF SWAGE NO.4 X .380L F
- 706-033-11 STDF SWAGE NO.4 X .380L F
- 450-370-00 PCB HR624 THX SWITCH

NOTE: J1 CONNECTS TO MAIN BOARD.

APPROVALS	DATE
DRAWN: Cam Jones	3-14-01
CHECKED:	
NP ENG:	
MATERIAL:	
MFG:	
MFG ENG:	
ISSUED:	

**MACKIE**  
Mackie Designs Inc. Woodinville, Wa.

SCHEMATIC, HR624-THX SWITCH BOARD

SIZE	SCALE:	DWG. NO.	REV.
D	NONE	055-370-00	A

DWG FILE: SHEET 1 OF 1

© 2000 MACKIE DESIGNS INC.  
ALL RIGHTS RESERVED  
THE INFORMATION CONTAINED HEREIN  
IS PROPRIETARY AND CONFIDENTIAL  
PROPERTY OF MACKIE DESIGNS INC.

