

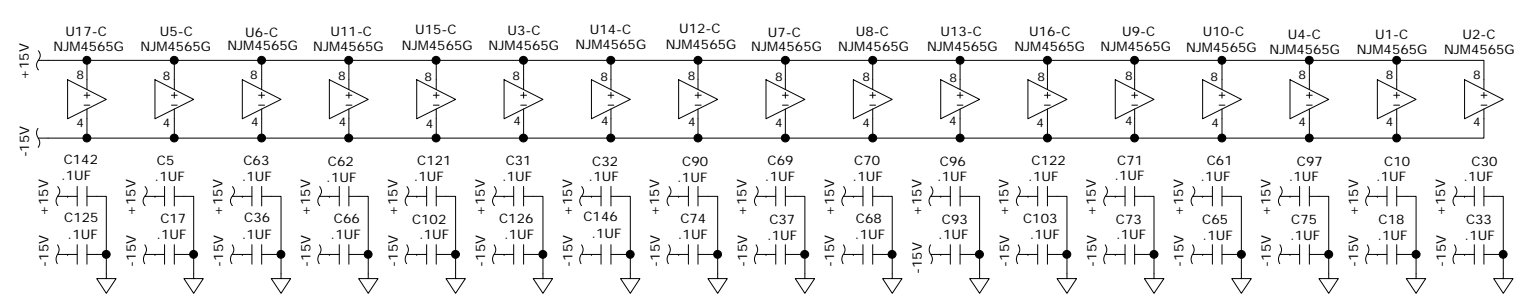
SCH1
0021670-XX
SCHEMATIC PCB ASSY HR824 MKII MAIN

PCB1
0027614-03
PCB MAIN HR824 MKII

FC1 400-060-00
FUSE CLIP PCMT 5MM DIA

FC2 400-060-00
FUSE CLIP PCMT 5MM DIA

Z101 730-038-00
JET MELT 3M 3779-Q
QTY A/R



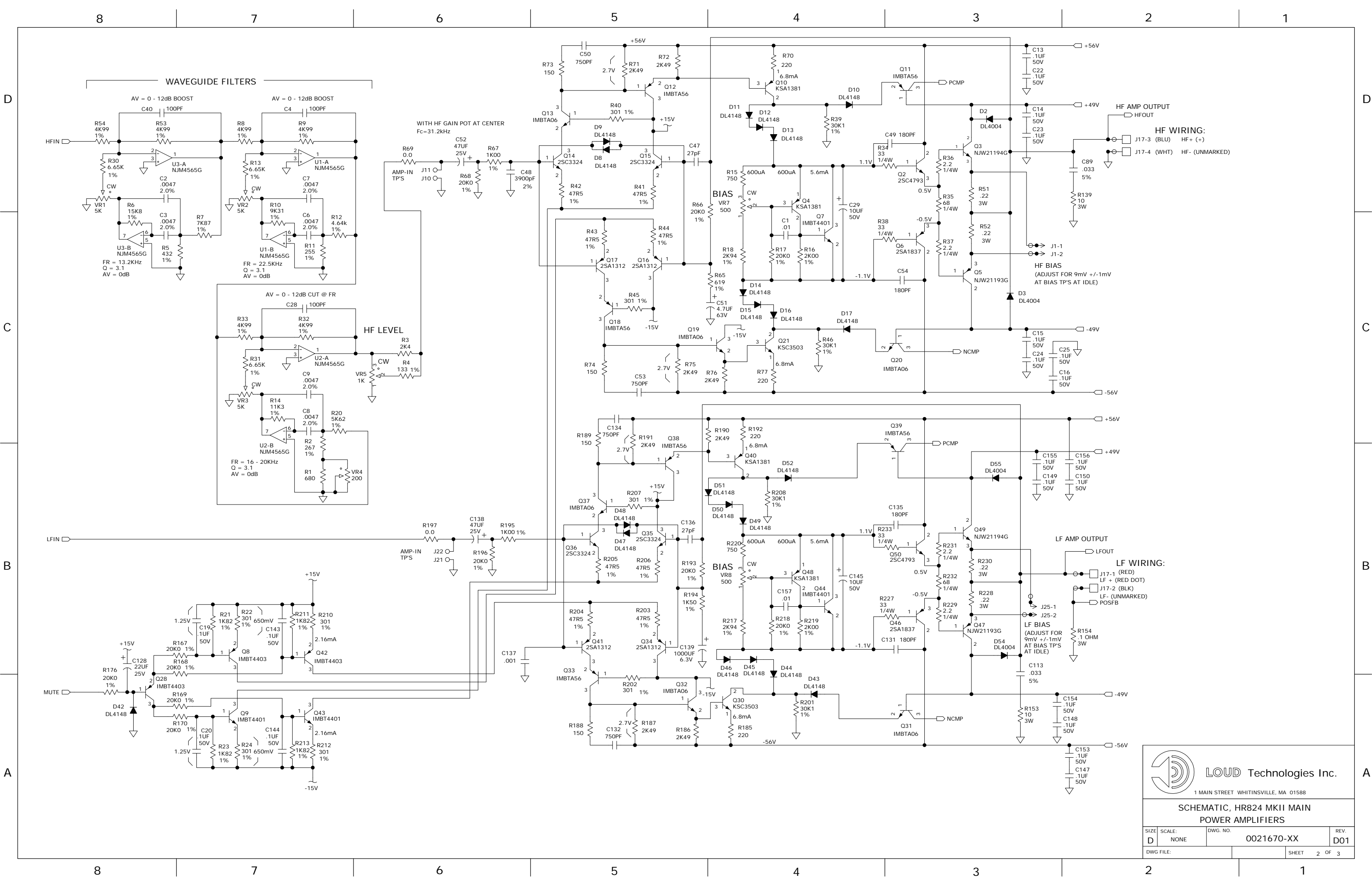
© 2006 LOUD TECHNOLOGIES INC.
ALL RIGHTS RESERVED
THE INFORMATION CONTAINED HEREIN
IS PROPRIETARY AND CONFIDENTIAL
PROPERTY OF LOUD TECHNOLOGIES INC.

| APPROVALS | DATE |
|---------------|----------|
| DRAWN: BRYANT | 09/29/06 |
| CHECKED: | |
| NP ENG: | |
| MATERIAL: | |
| MFG: | |
| MFG ENG: | |
| ISSUED: | |

LOUD Technologies Inc.
1 MAIN STREET WHITINSVILLE, MA 01588

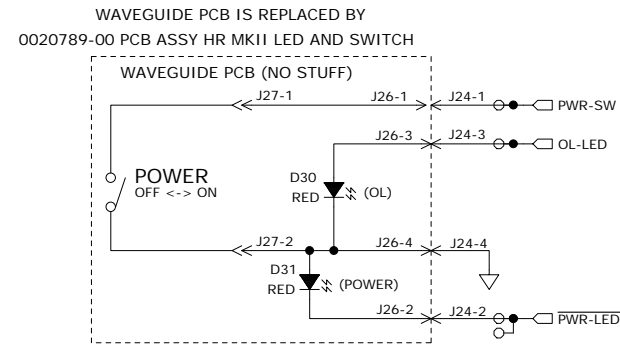
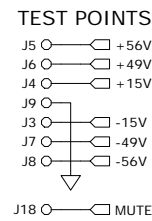
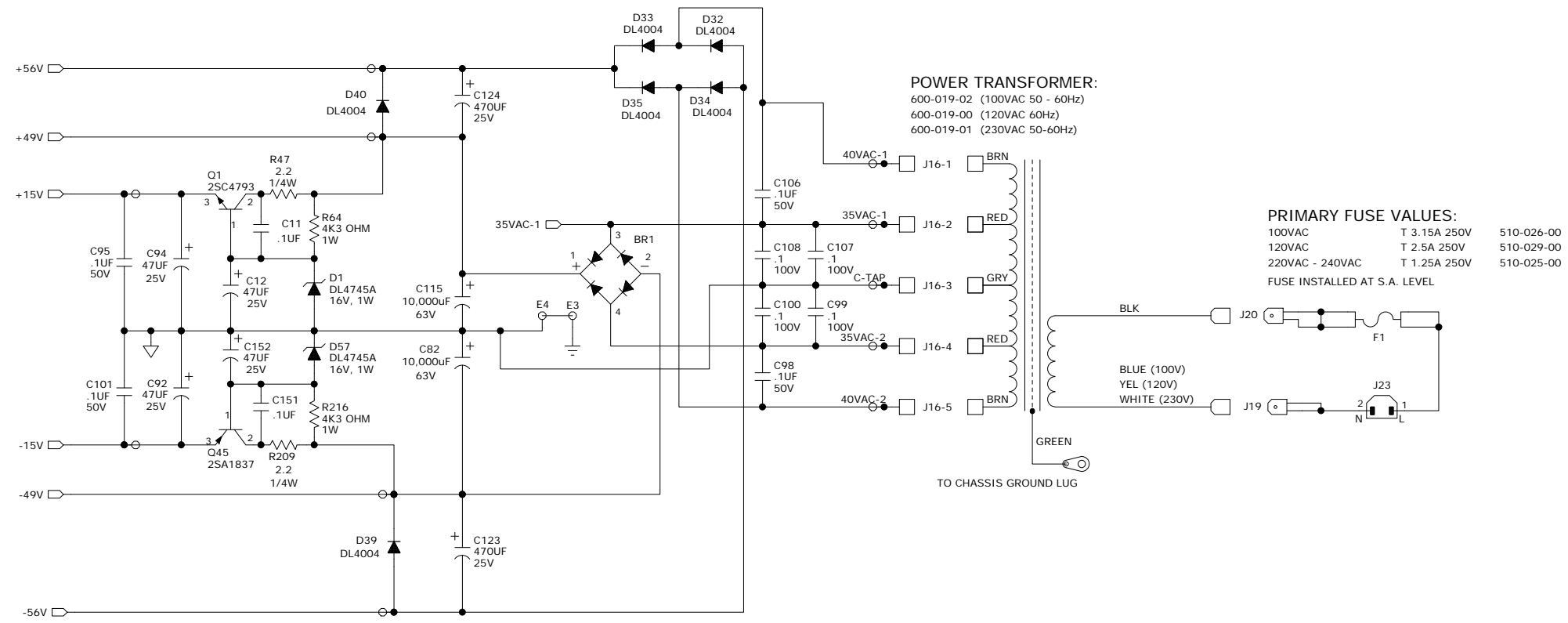
**SCHEMATIC, HR824 MKII MAIN
HOUSEKEEPING & EQ**

| | | | |
|------------|-------------|---------------------|--------------|
| SIZE: D | SCALE: NONE | DWG. NO. 0021670-XX | REV. D01 |
| DWG. FILE: | | | SHEET 1 OF 3 |



SCHEMATIC, HR824 MKII MAIN POWER AMPLIFIERS

| | | | |
|------------|-------------|----------------------|----------|
| SIZE: D | SCALE: NONE | DWG. NO.: 0021670-XX | REV. D01 |
| DWG. FILE: | | SHEET 2 OF 3 | |



LOUD Technologies Inc.
 1 MAIN STREET WHITINSVILLE, MA 01588

SCHEMATIC, HR824 MKII MAIN POWER SUPPLY

| | | | |
|------------|--------|--------------|------|
| SIZE | SCALE: | DWG. NO. | REV. |
| D | NONE | 0021670-XX | D01 |
| DWG. FILE: | | SHEET 3 OF 3 | |