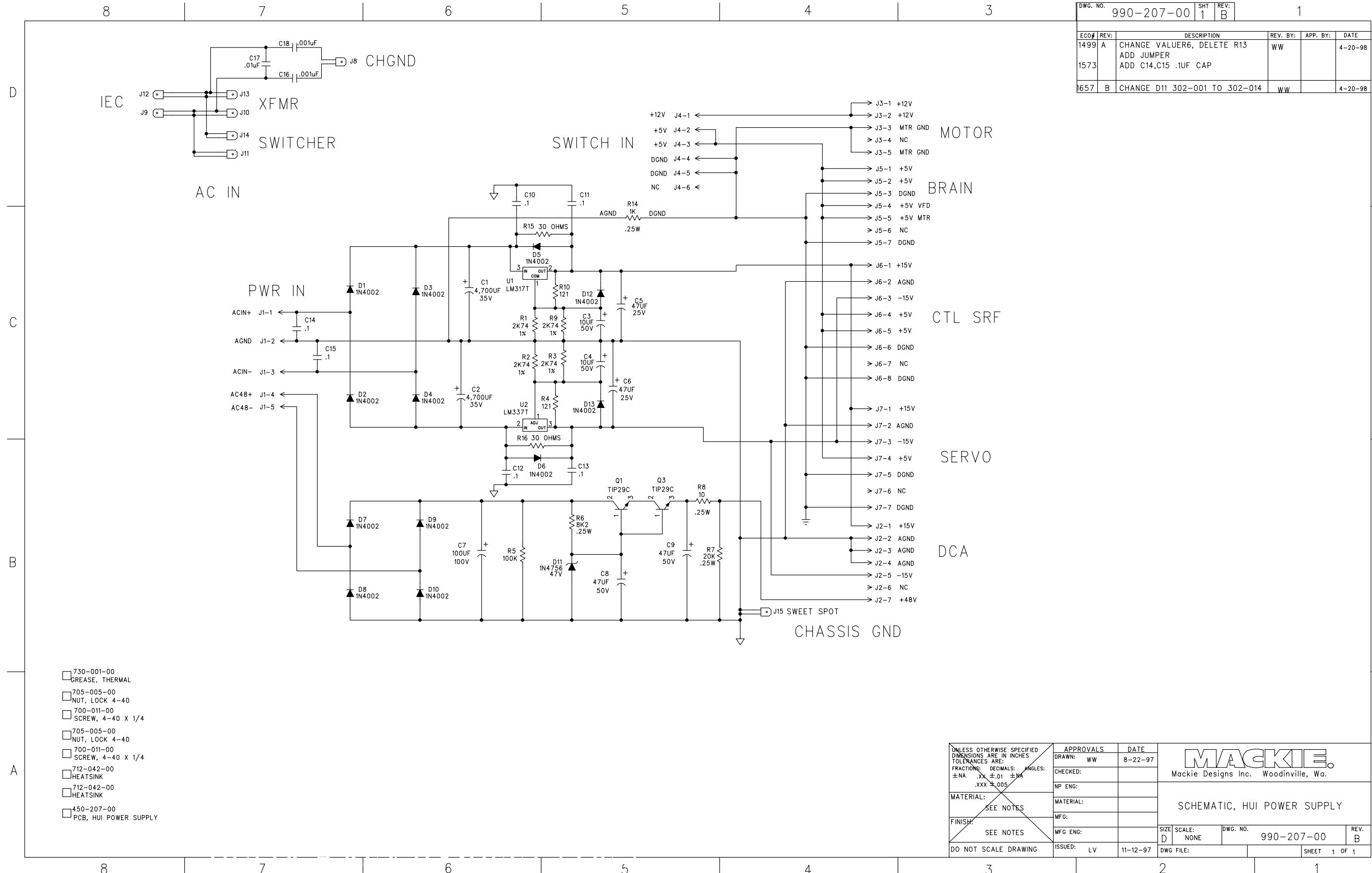


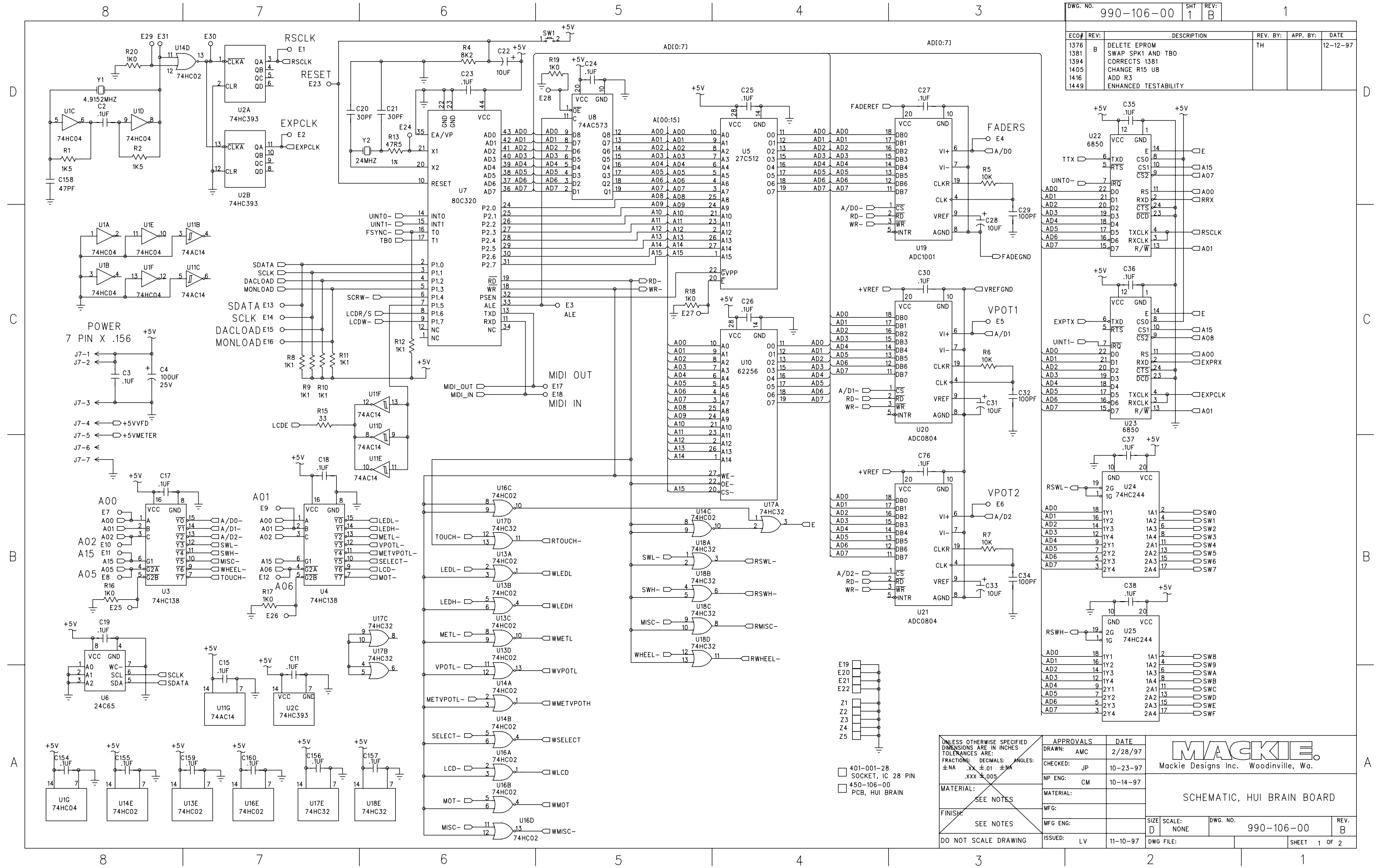
DWG. NO.	990-207-00	SHT	1	REV:	B
ECO#	REV:	DESCRIPTION	REV. BY:	APP. BY:	DATE
1499	A	CHANGE VALUER6, DELETE R13	WW		4-20-98
1573		ADD JUMPER ADD C14,C15 .1UF CAP			
1657	B	CHANGE D11 302-001 TO 302-014	WW		4-20-98



- 730-001-00 GREASE, THERMAL
- 705-005-00 NUT, LOCK 4-40
- 700-011-00 SCREW, 4-40 X 1/4
- 705-005-00 NUT, LOCK 4-40
- 700-011-00 SCREW, 4-40 X 1/4
- 712-042-00 HEATSINK
- 712-042-00 HEATSINK
- 450-207-00 PCB, HUI POWER SUPPLY

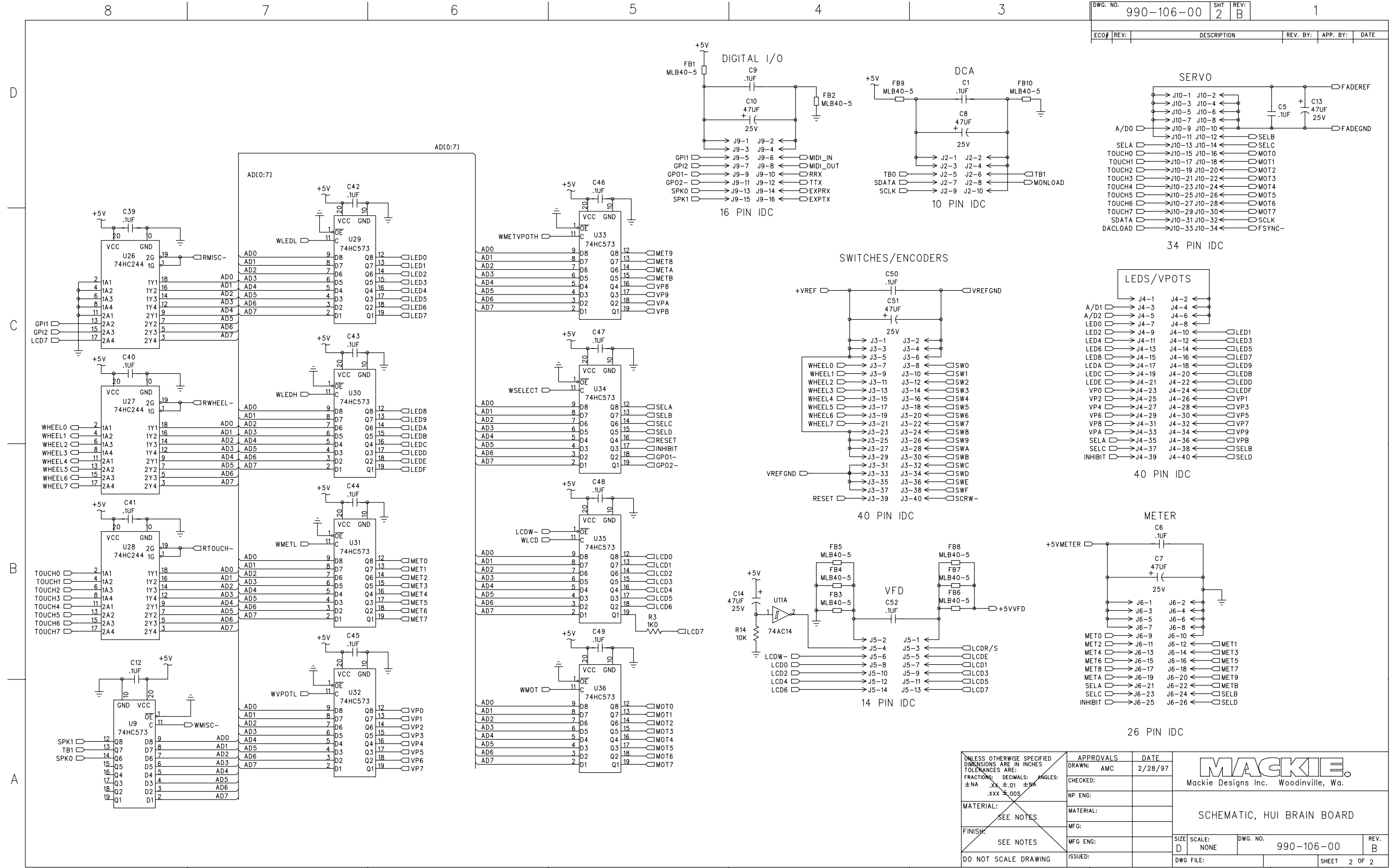
UNLESS OTHERWISE SPECIFIED DIMENSIONS ARE IN INCHES TOLERANCES ARE: FRACTIONS: DECIMALS: ANGLES: ±NA .XX ±.01 ±MA .XXX ±.005	APPROVALS	DATE	MACKIE. Mackie Designs Inc. Woodinville, Wa.			
	DRAWN: WW	8-22-97				
	CHECKED:					
	NP ENG:					
MATERIAL:	MATERIAL:	SCHEMATIC, HUI POWER SUPPLY				
SEE NOTES	MFG:					
FINISH:	MFG ENG:	SIZE	SCALE:	DWG. NO.	REV.	
DO NOT SCALE DRAWING	ISSUED: LV	11-12-97	D	NONE	990-207-00	B
			DWG FILE:	SHEET 1 OF 1		

ECO#	REV.	DESCRIPTION	REV. BY:	APP. BY:	DATE
1376	B	DELETE EPROM	TH		12-12-97
1381		SWAP SPK1 AND TBO			
1394		CORRECTS 1381			
1405		CHANGE R15 U8			
1416		ADD R3			
1449		ENHANCED TESTABILITY			

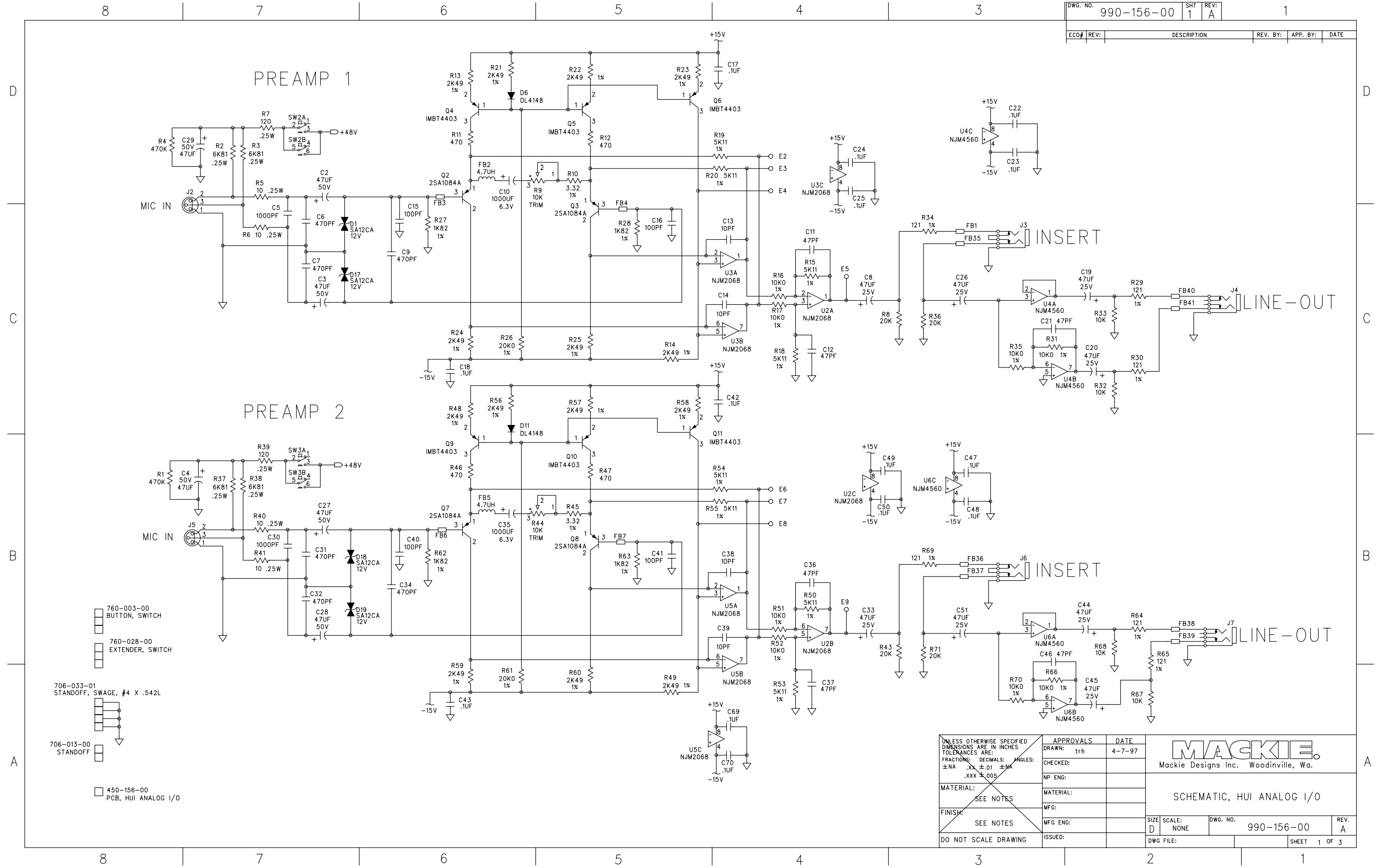


APPROVALS		DATE
DRAWN: AMC	CHECKED: JP	2/28/97
NP ENG: CM	MFG:	10-23-97
MFG ENG:	ISSUED: LV	10-14-97
DO NOT SCALE DRAWING	11-10-97	

<p>MACKIE Mackie Designs Inc. Woodville, Wa.</p>	
<p>SCHMATIC, HUI BRAIN BOARD</p>	
SIZE: D	SCALE: NONE
DWG. NO. 990-106-00	REV. B
DWG FILE:	SHEET 1 OF 2

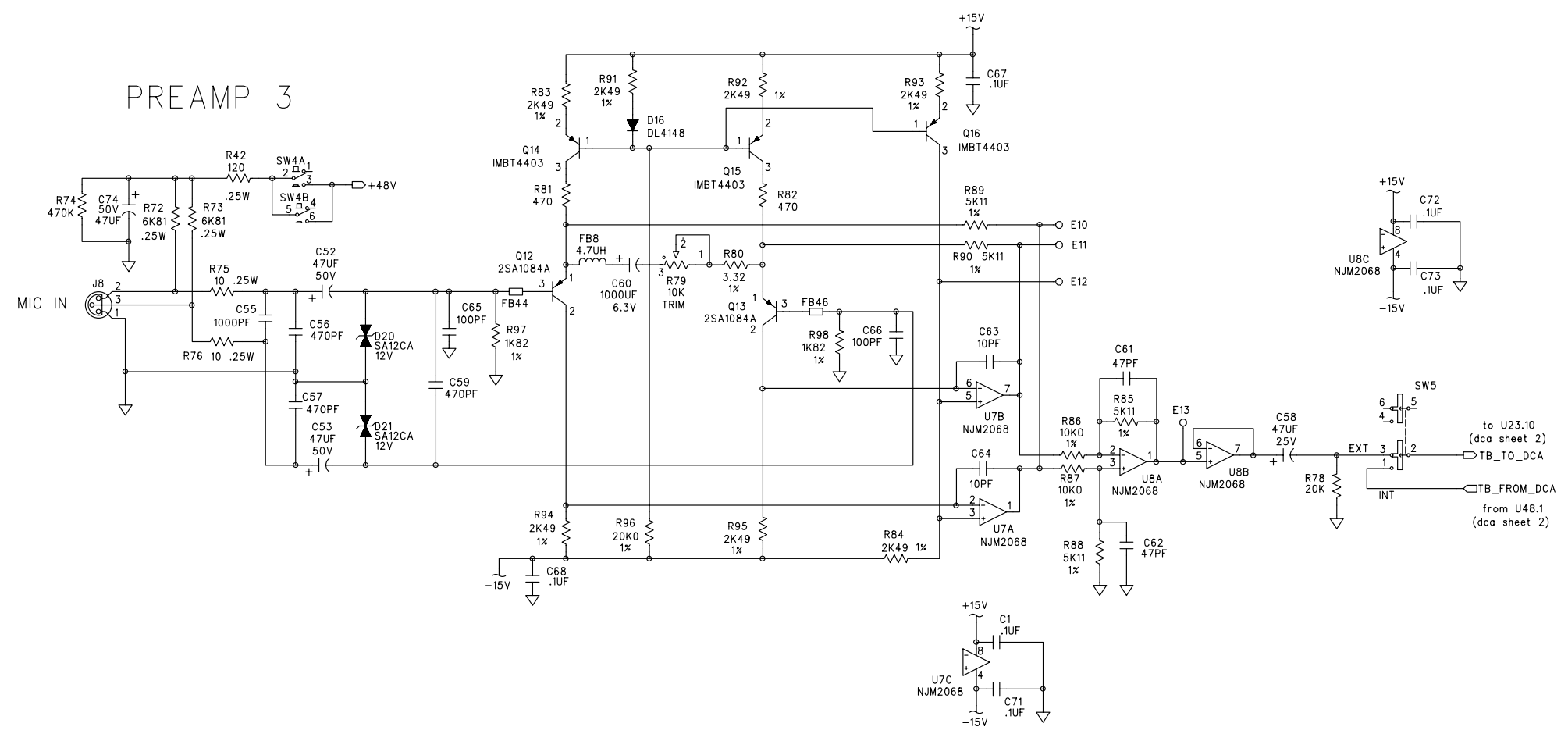


UNLESS OTHERWISE SPECIFIED DIMENSIONS ARE IN INCHES TOLERANCES ARE: FRACTIONS: DECIMALS: ANGLES: ±NA .XX ±.01 ±NA .XXX ±.005	APPROVALS	DATE	 Mackie Designs Inc. Woodinville, Wa.
	DRAWN: AMC	2/28/97	
	CHECKED:		
	NP ENG:		
MATERIAL: SEE NOTES	MATERIAL:		SCHEMATIC, HUI BRAIN BOARD
FINISH: SEE NOTES	MFG:		
DO NOT SCALE DRAWING	MFG ENG:		
	ISSUED:		SIZE: D SCALE: NONE DWG. NO. 990-106-00 REV. B DWG FILE: SHEET 2 OF 2

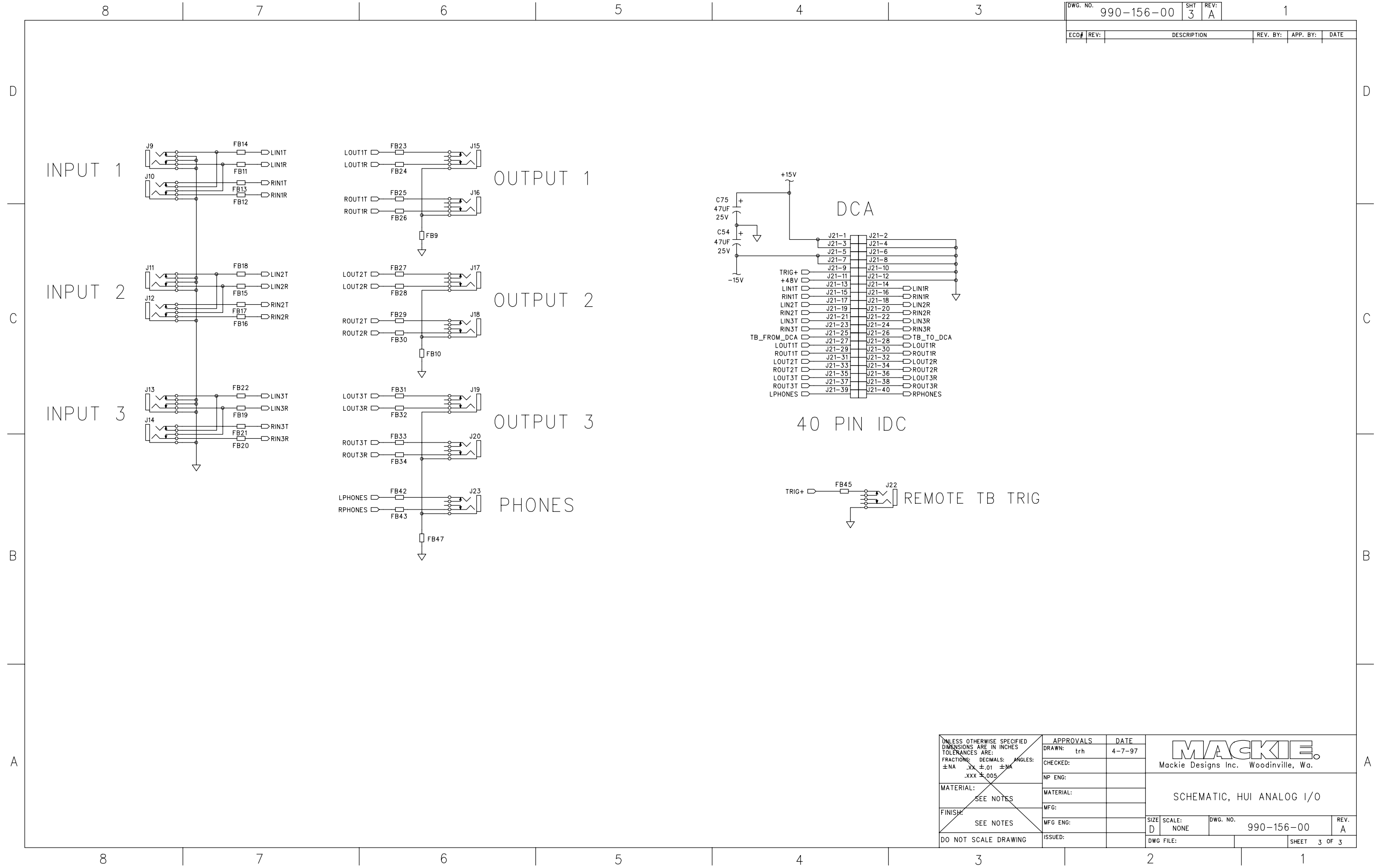


UNLESS OTHERWISE SPECIFIED DIMENSIONS ARE IN INCHES TOLERANCES ARE: FRACTIONS: DECIMALS: ANGLES: ±NA .XX ±.01 ±NA .XXX ±.005	APPROVALS	DATE	MACKIE Mackie Designs Inc. Woodinville, Wa.
	DRAWN: trh	4-7-97	
	CHECKED:		
	NP ENG:		
MATERIAL:	MATERIAL:	SCHEMATIC, HUI ANALOG I/O	
SEE NOTES	MFG:		
SEE NOTES	MFG ENG:		
DO NOT SCALE DRAWING	ISSUED:		

SIZE	SCALE:	DWG. NO.	REV.
D	NONE	990-156-00	A
DWG FILE:		SHEET 1 OF 3	



UNLESS OTHERWISE SPECIFIED DIMENSIONS ARE IN INCHES TOLERANCES ARE: FRACTIONS: DECIMALS: ANGLES: ±NA .XX ±.01 ±NA .XXX ±.005	APPROVALS	DATE	Mackie Designs Inc. Woodinville, Wa. SCHEMATIC, HUI ANALOG I/O			
	DRAWN: trh	4-7-97				
	CHECKED:					
	NP ENG:					
MATERIAL: SEE NOTES	MATERIAL:		SIZE	SCALE:	DWG. NO.	REV.
FINISH: SEE NOTES	MFG:		D	NONE	990-156-00	A
DO NOT SCALE DRAWING	MFG ENG:		DWG FILE:			SHEET 2 OF 3
	ISSUED:					



UNLESS OTHERWISE SPECIFIED
DIMENSIONS ARE IN INCHES
TOLERANCES ARE:
FRACTIONS: DECIMALS: ANGLES:
±.NA .XX ±.01 ±NA
.XXX ±.005

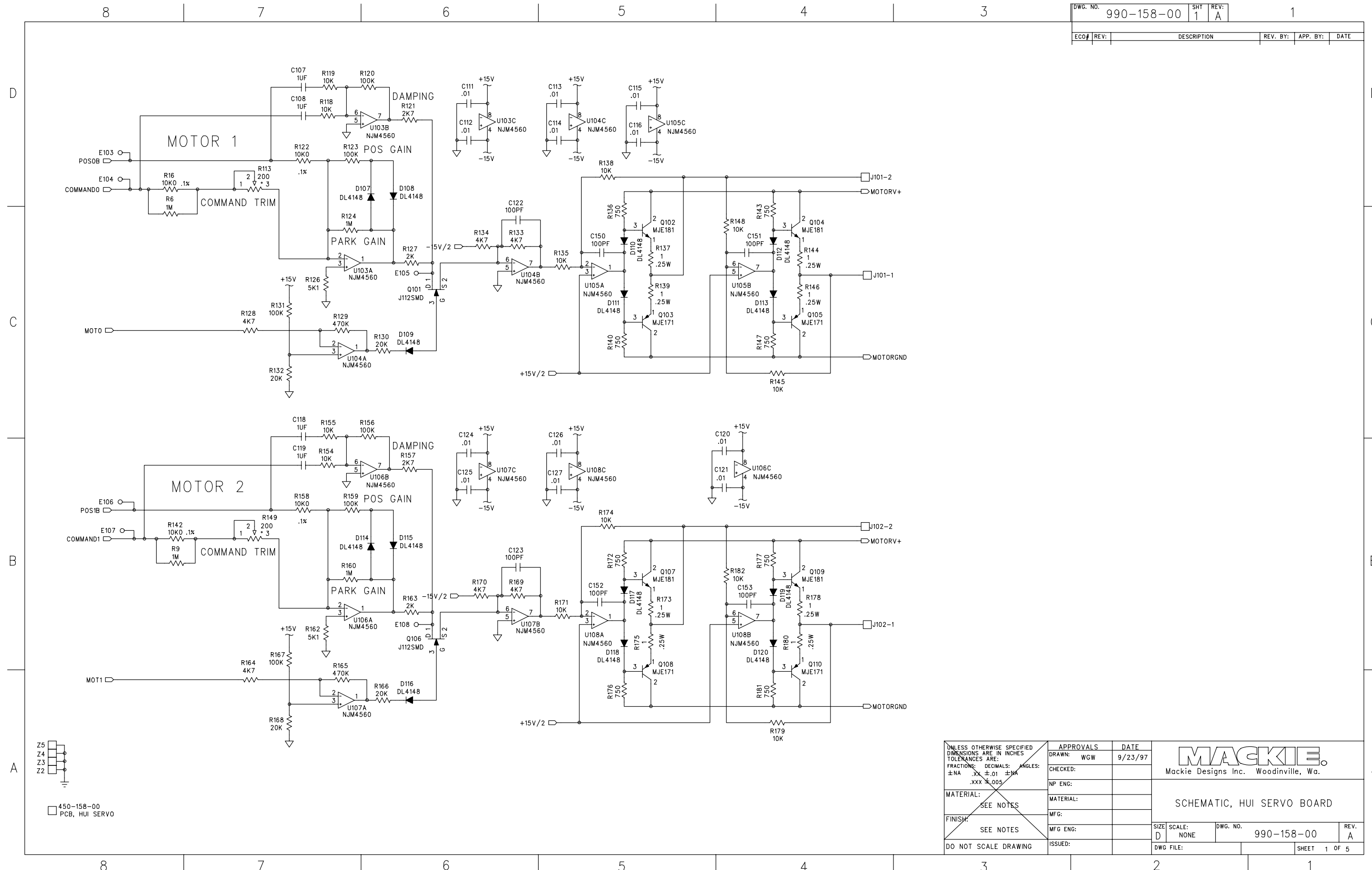
MATERIAL: SEE NOTES
FINISH: SEE NOTES
DO NOT SCALE DRAWING

APPROVALS	DATE
DRAWN: trh	4-7-97
CHECKED:	
NP ENG:	
MATERIAL:	
MFG:	
MFG ENG:	
ISSUED:	

MACKIE
Mackie Designs Inc. Woodinville, Wa.

SCHEMATIC, HUI ANALOG I/O

SIZE: D	SCALE: NONE	DWG. NO. 990-156-00	REV. A
DWG FILE:		SHEET 3 OF 3	



25
24
23
22

□ 450-158-00 PCB, HUI SERVO

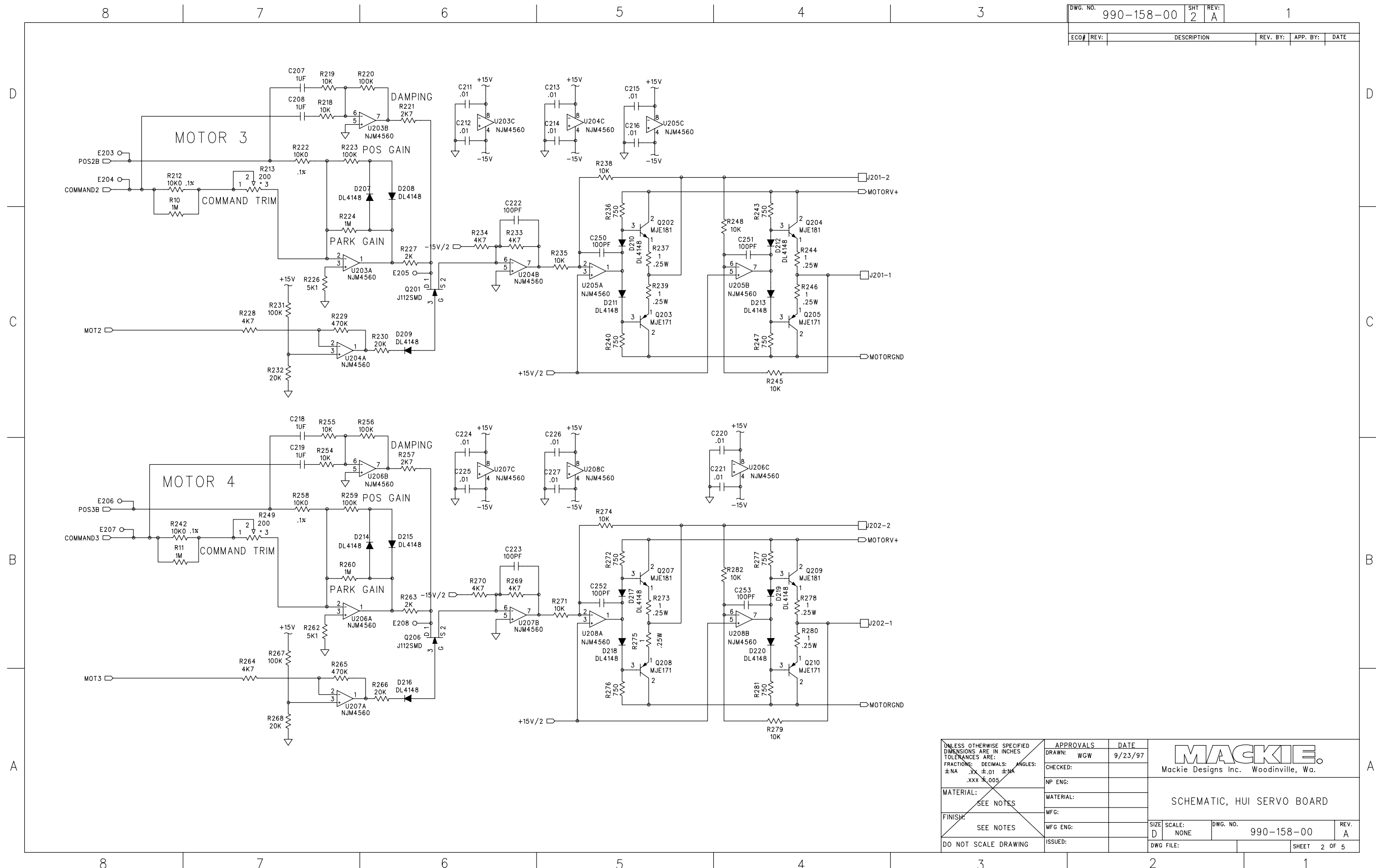
UNLESS OTHERWISE SPECIFIED DIMENSIONS ARE IN INCHES. TOLERANCES ARE: FRACTIONS: DECIMALS: ANGLES: ±NA .XX ±.01 ±MA .XXX ±.005	APPROVALS	DATE
	DRAWN: WGW	9/23/97
	CHECKED:	
	NP ENG:	
MATERIAL:	MATERIAL:	
SEE NOTES	MFG:	
SEE NOTES	MFG ENG:	
DO NOT SCALE DRAWING	ISSUED:	

MACKIE.
Mackie Designs Inc. Woodinville, Wa.

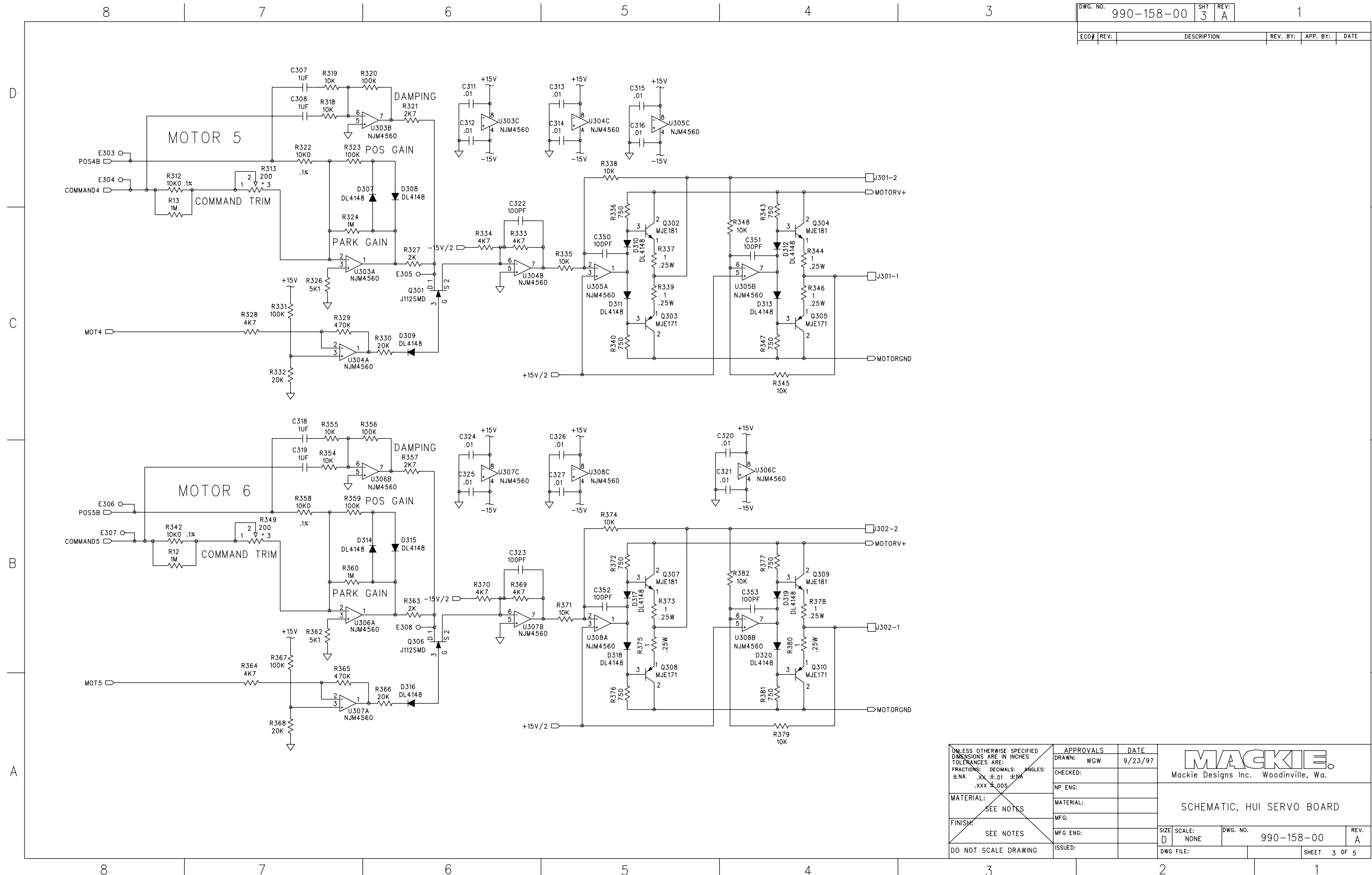
SCHEMATIC, HUI SERVO BOARD

SIZE: D	SCALE: NONE	DWG. NO. 990-158-00	REV. A
DWG FILE:		SHEET 1 OF 5	

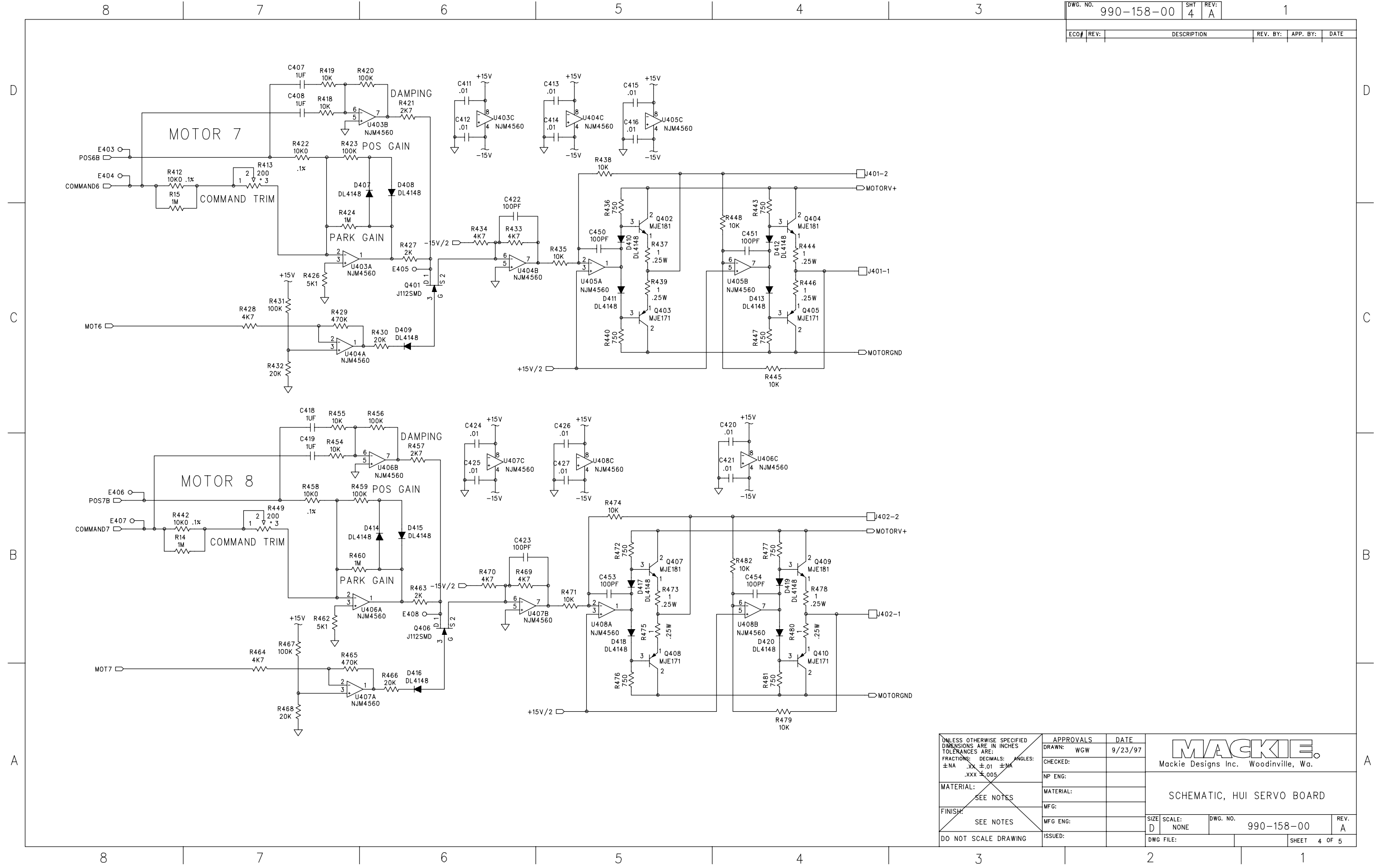
DWG. NO.	990-158-00	SHT	2	REV:	A	1
ECO#	REV:	DESCRIPTION	REV. BY:	APP. BY:	DATE	



UNLESS OTHERWISE SPECIFIED DIMENSIONS ARE IN INCHES TOLERANCES ARE: FRACTIONS: DECIMALS: ANGLES: ±NA .XX ±.01 ±MA .XXX ±.005 MATERIAL: SEE NOTES FINISH: SEE NOTES DO NOT SCALE DRAWING	APPROVALS DRAWN: GWG CHECKED: NP ENG:	DATE 9/23/97	MACKIE Mackie Designs Inc. Woodinville, Wa. SCHEMATIC, HUI SERVO BOARD	
	MATERIAL: SEE NOTES	MATERIAL: MFG:		SIZE: D SCALE: NONE DWG. NO.: 990-158-00 REV. A DWG FILE:
	MFG ENG:	MFG ENG:		SHEET 2 OF 5
	ISSUED:	ISSUED:		



UNLESS OTHERWISE SPECIFIED DIMENSIONS ARE IN INCHES TOLERANCES ARE: FRACTIONS: DECIMALS: ANGLES: ±NA .XX ±.01 ±MA .XXX ±.005	APPROVALS	DATE	 Mackie Designs Inc. Woodinville, Wa.
	DRAWN: WGW	9/23/97	
	CHECKED:		
	NP ENG:		
MATERIAL: SEE NOTES	MATERIAL:		SCHEMATIC, HUI SERVO BOARD
FINISH: SEE NOTES	MFG:		
DO NOT SCALE DRAWING	MFG ENG:		SIZE: D
	ISSUED:		SCALE: NONE
			DWG. NO. 990-158-00
			REV. A
			DWG FILE:
			SHEET 3 OF 5

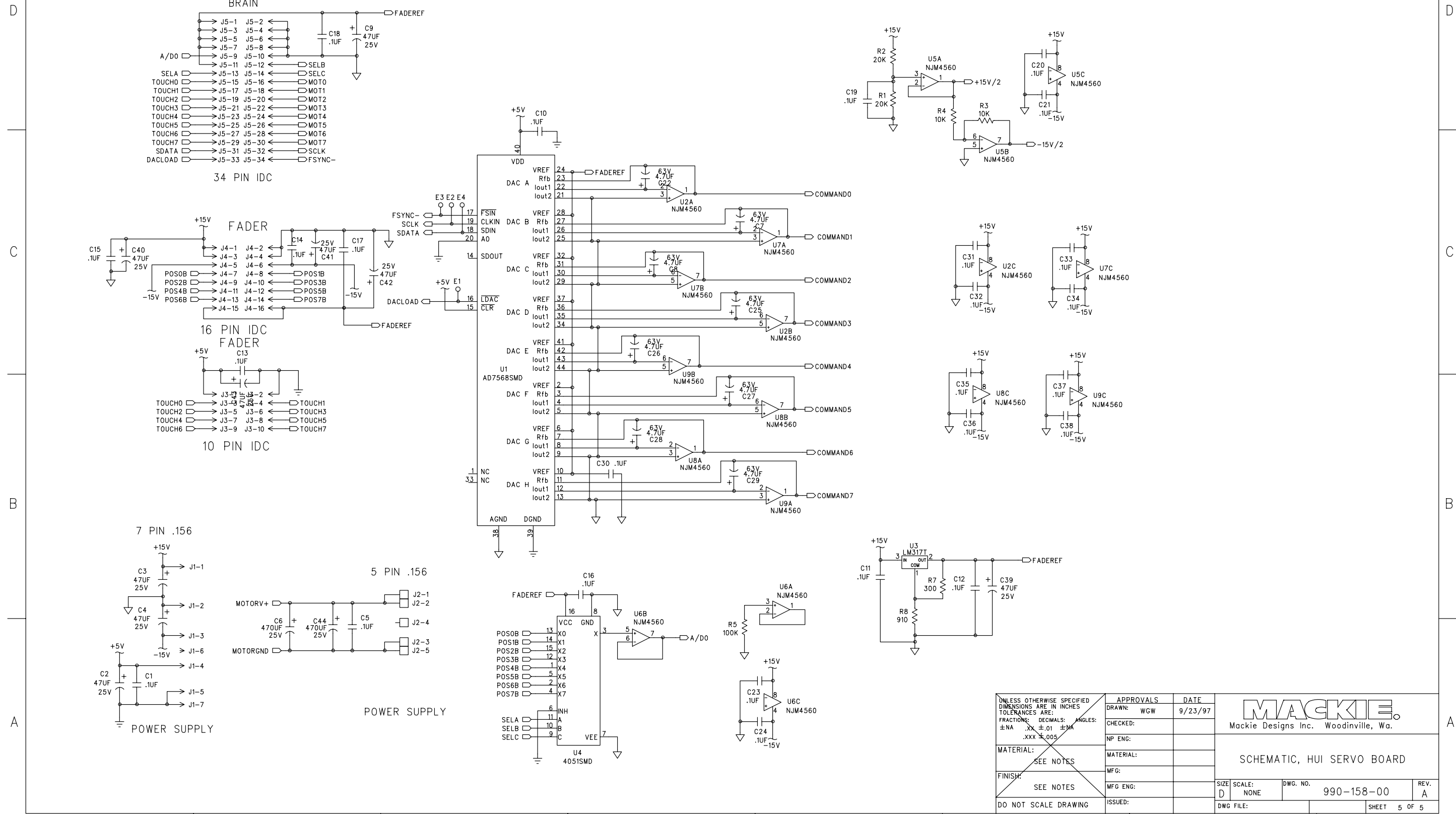


UNLESS OTHERWISE SPECIFIED DIMENSIONS ARE IN INCHES TOLERANCES ARE: FRACTIONS: DECIMALS: ANGLES: ±NA .XX ±.01 ±MA .XXX ±.005	APPROVALS	DATE
	DRAWN: GWG	9/23/97
	CHECKED:	
	NP ENG:	
MATERIAL: SEE NOTES	MATERIAL:	
FINISH: SEE NOTES	MFG:	
DO NOT SCALE DRAWING	MFG ENG:	
	ISSUED:	

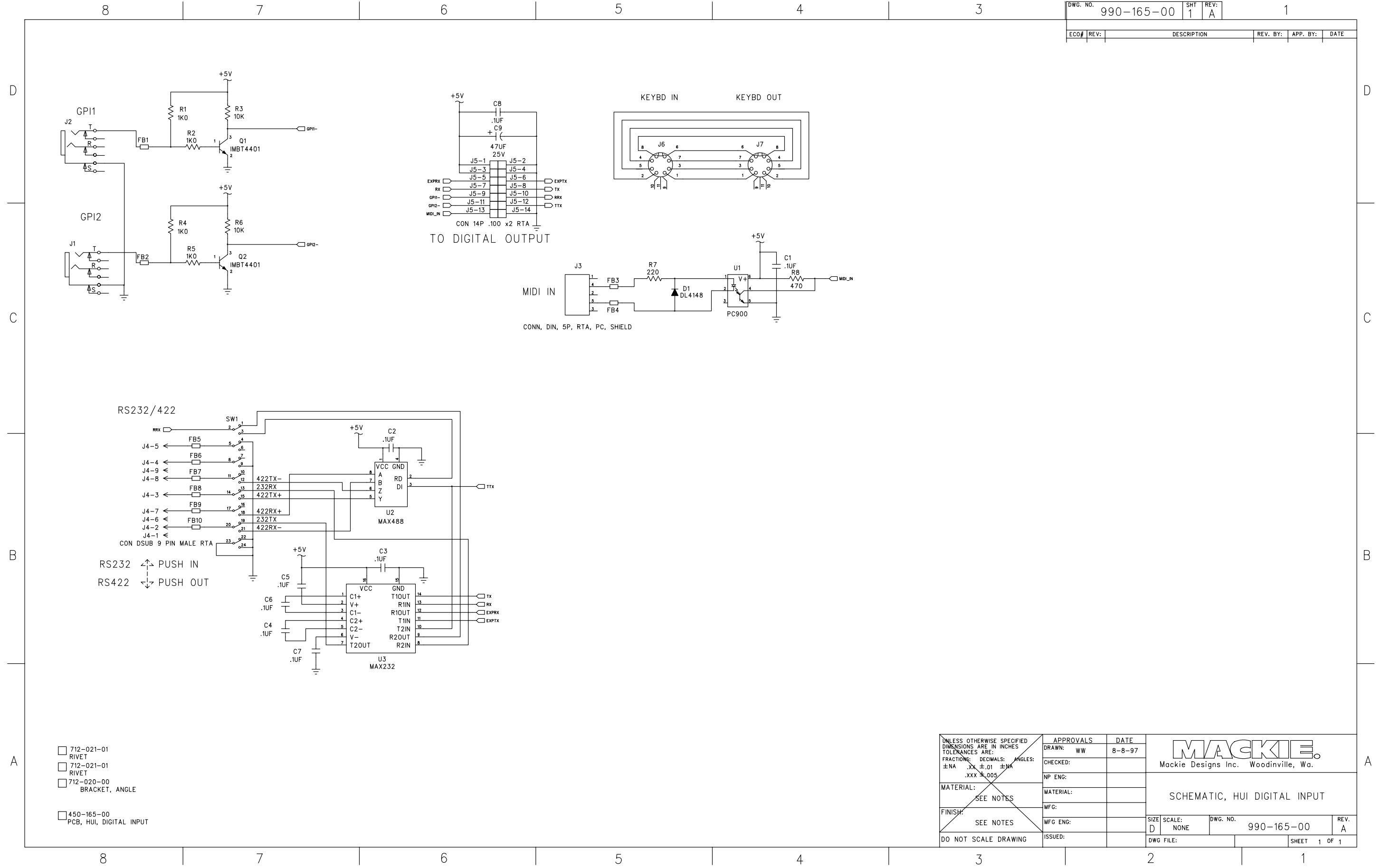
MACKIE
Mackie Designs Inc. Woodville, Wa.

SCHEMATIC, HUI SERVO BOARD

SIZE: D	SCALE: NONE	DWG. NO. 990-158-00	REV. A
DWG FILE:		SHEET 4 OF 5	



UNLESS OTHERWISE SPECIFIED DIMENSIONS ARE IN INCHES TOLERANCES ARE: FRACTIONS: DECIMALS: ANGLES: ±NA .XX ±.01 ±MA .XXX ±.005	APPROVALS	DATE	 Mackie Designs Inc. Woodinville, Wa.
	DRAWN: WGW	9/23/97	
	CHECKED:		
	NP ENG:		
MATERIAL:	MATERIAL:	SCHEMATIC, HUI SERVO BOARD	
SEE NOTES	MFG:	SIZE: D	SCALE: NONE
SEE NOTES	MFG ENG:	DWG. NO. 990-158-00	REV. A
DO NOT SCALE DRAWING	ISSUED:	DWG FILE:	SHEET 5 OF 5



- 712-021-01 RIVET
- 712-021-01 RIVET
- 712-020-00 BRACKET, ANGLE
- 450-165-00 PCB, HUI, DIGITAL INPUT

UNLESS OTHERWISE SPECIFIED DIMENSIONS ARE IN INCHES. TOLERANCES ARE: FRACTIONS: DECIMALS: ANGLES: ±NA .XX ±.01 ±MA .XXX ±.005	APPROVALS	DATE	MACKIE Mackie Designs Inc. Woodinville, Wa.
	DRAWN: WW	8-8-97	
	CHECKED:		
	NP ENG:		
MATERIAL:	MATERIAL:		SCHEMATIC, HUI DIGITAL INPUT
SEE NOTES	MFG:		
SEE NOTES	MFG ENG:		
DO NOT SCALE DRAWING	ISSUED:		SIZE: D SCALE: NONE DWG. NO. 990-165-00 REV. A SHEET 1 OF 1

ECO#	REV.	DESCRIPTION	REV. BY:	APP. BY:	DATE
------	------	-------------	----------	----------	------

D

D

C

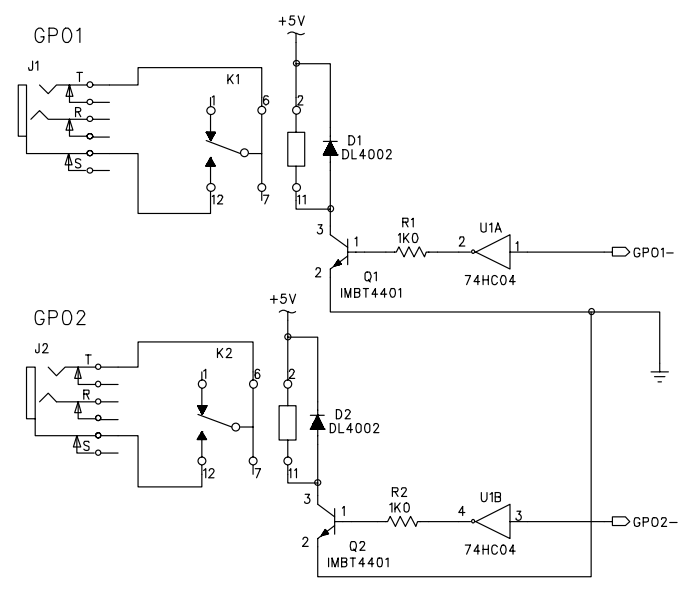
C

B

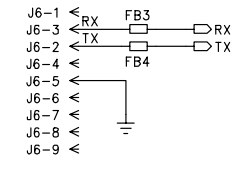
B

A

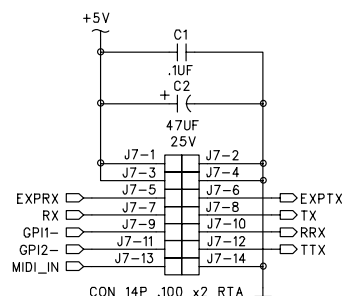
A



EXPANSION

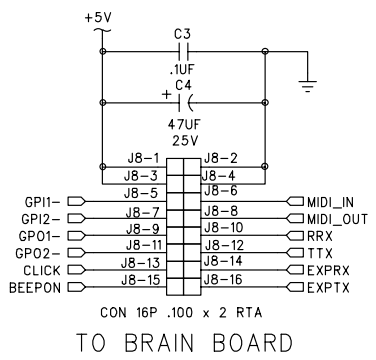


CON DSUB 9 PIN MALE RTA



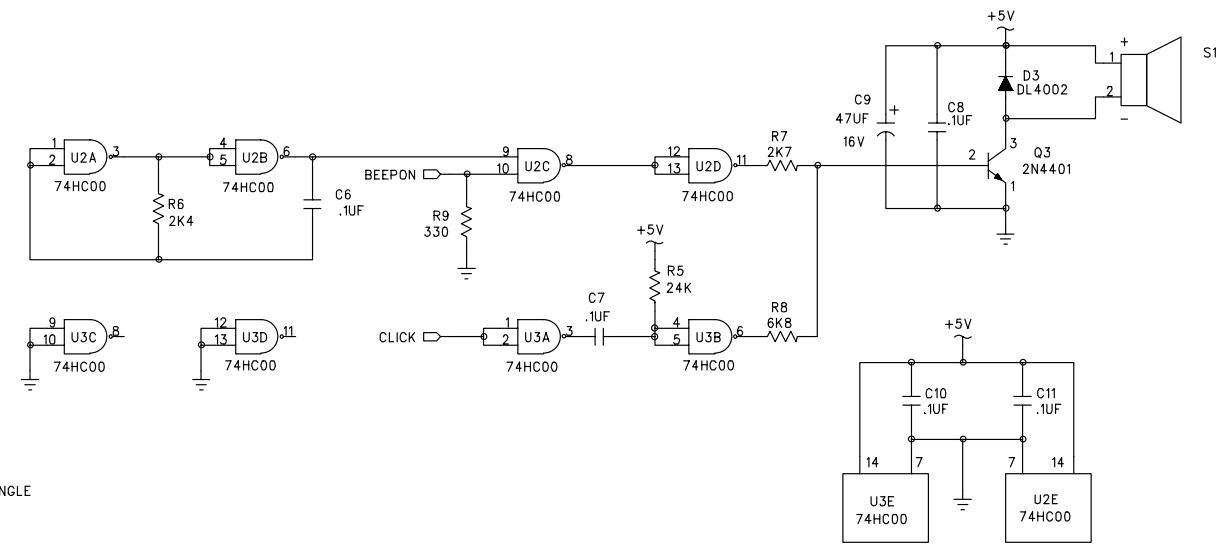
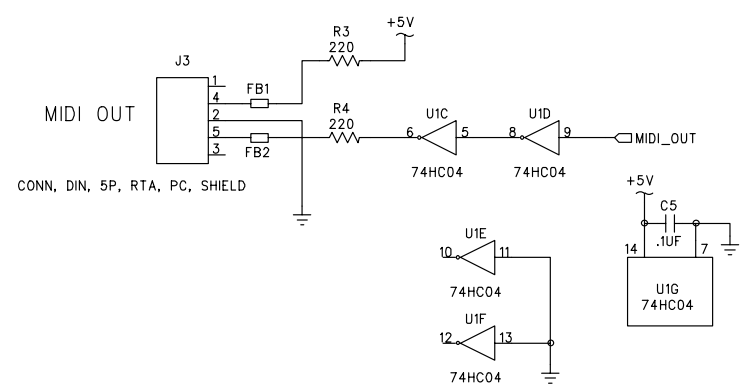
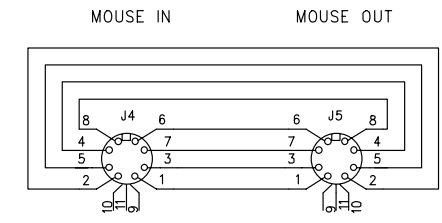
CON 14P .100 x2 RTA

TO DIGITAL INPUT



CON 16P .100 x 2 RTA

TO BRAIN BOARD



- 712-021-01 RIVET
- 712-021-01 RIVET
- 712-020-00 BRACKET, ANGLE
- 450-166-00 PCB, HUI, DIGITAL OUTPUT

UNLESS OTHERWISE SPECIFIED DIMENSIONS ARE IN INCHES TOLERANCES ARE: FRACTIONS: DECIMALS: ANGLES: ±.NA .XX ±.01 ±NA .XXX ±.005	APPROVALS	DATE	<p>Mackie Designs Inc. Woodinville, Wa.</p>
	DRAWN: WW	8-8-97	
	CHECKED:		
	NP ENG:		
MATERIAL:	MATERIAL:	SCHEMATIC, HUI DIGITAL OUTPUT	
SEE NOTES	MFG:		
SEE NOTES	MFG ENG:		
DO NOT SCALE DRAWING	ISSUED:		
		SIZE: D	SCALE: NONE
		DWG. NO. 990-166-00	REV. A
		DWG FILE:	SHEET 1 OF 1