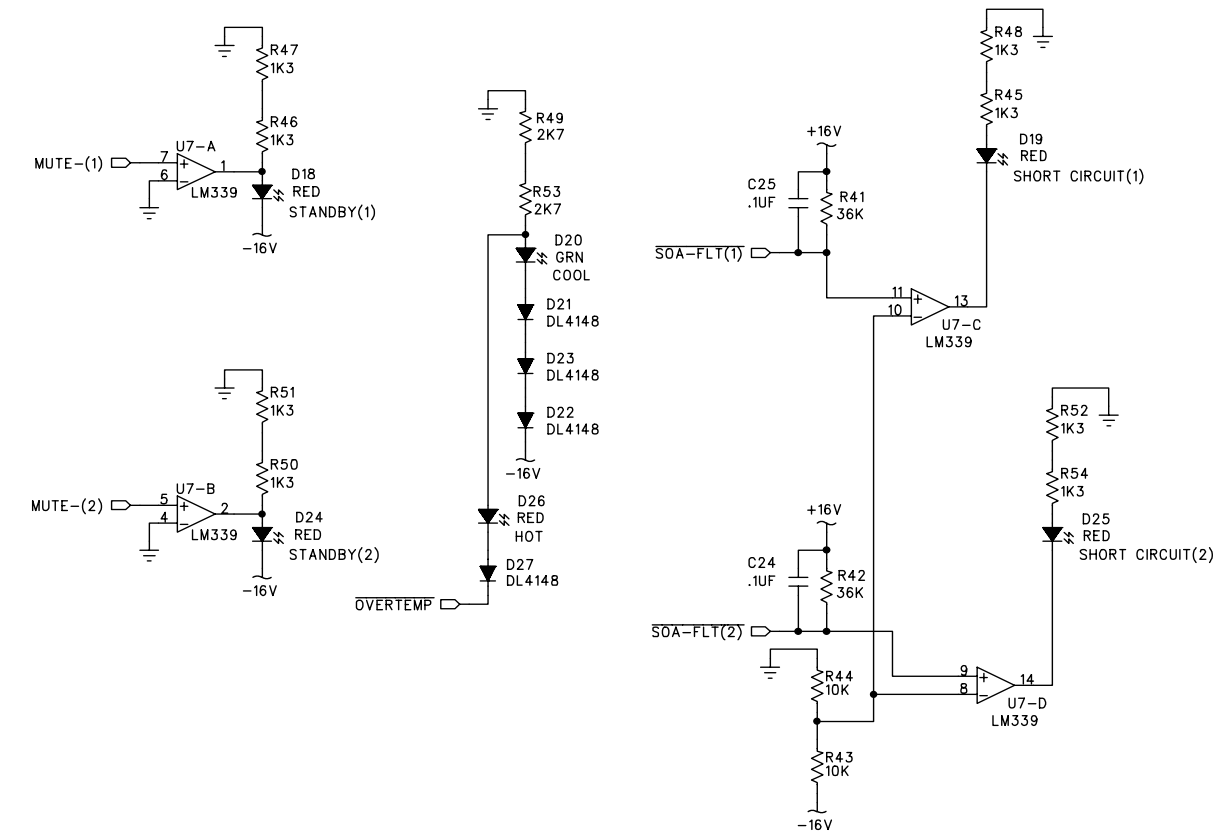
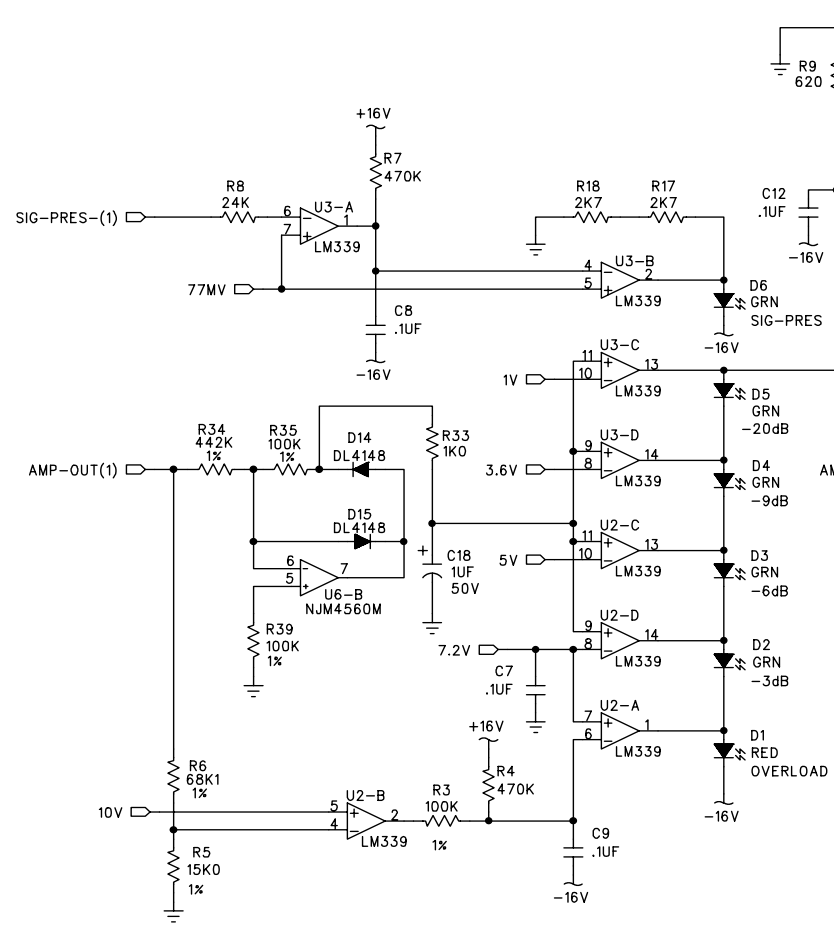


DWG. NO.	990-254-00	SHT	1	REV.	A	1
ECO#	REV.	DESCRIPTION	REV. BY:	APP. BY:	DATE	
1		MADE FROM 990-080 W/DESIGN CHANGES. INCORP ECOS: 1116, 1118, 1121, 1137, 1327, 1359 AND 2100.	TH		2-10-99	
A		RELEASE TO PRODUCTION	TH		3-26-99	

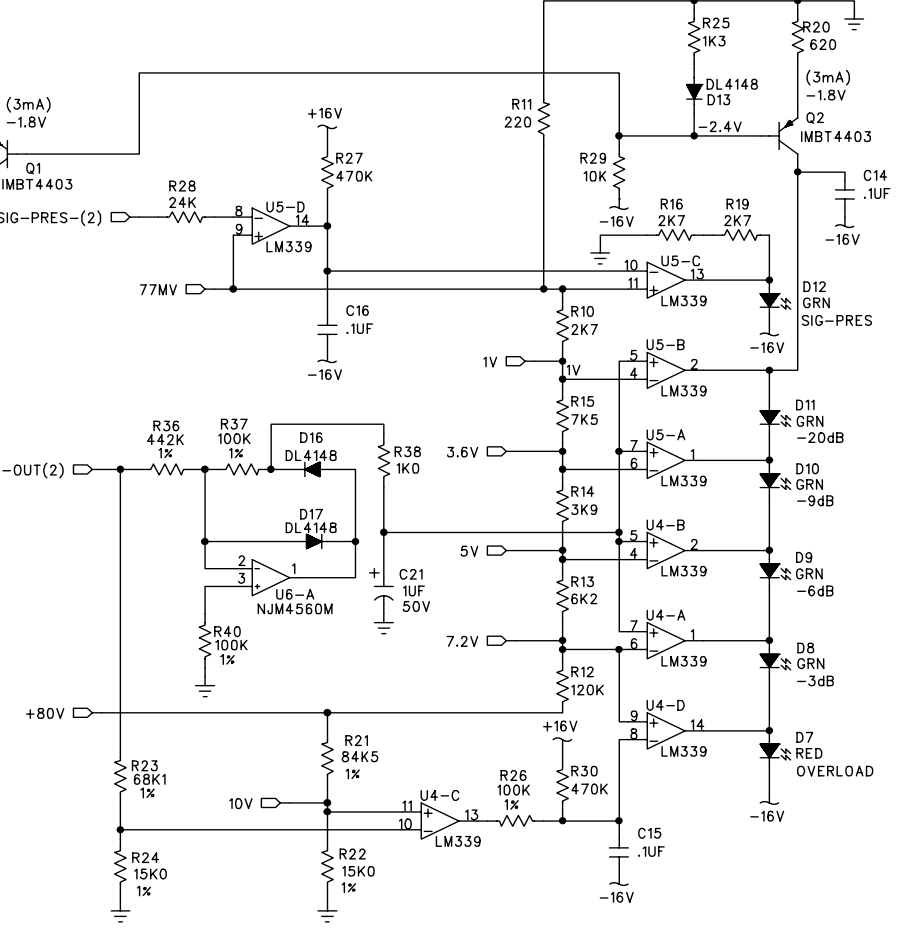
### AMPLIFIER STATUS INDICATORS



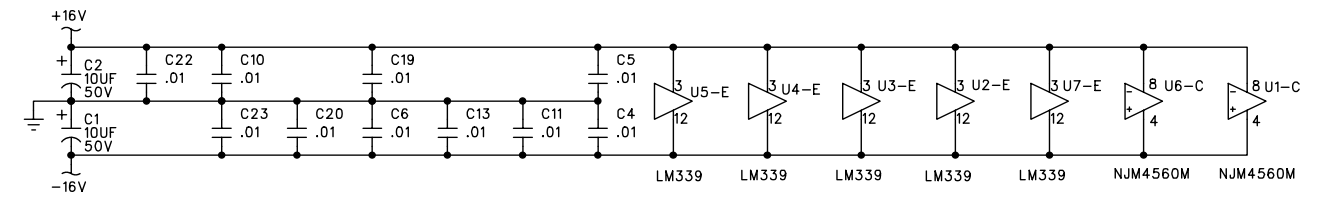
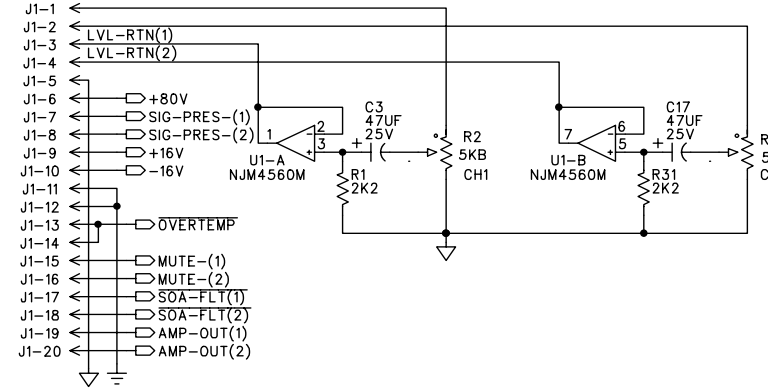
### CH1 METER



### CH2 METER

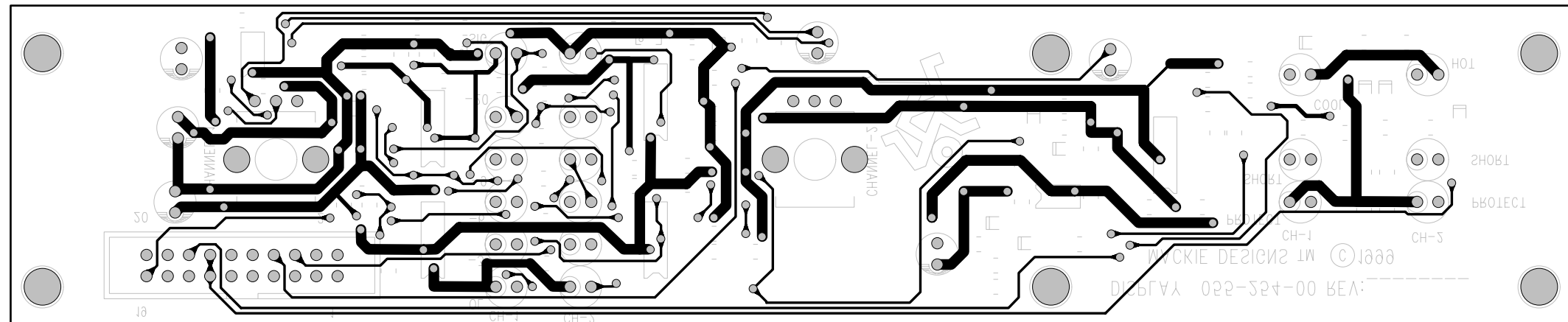


### TO INPUT BOARD OUTPUT LEVEL

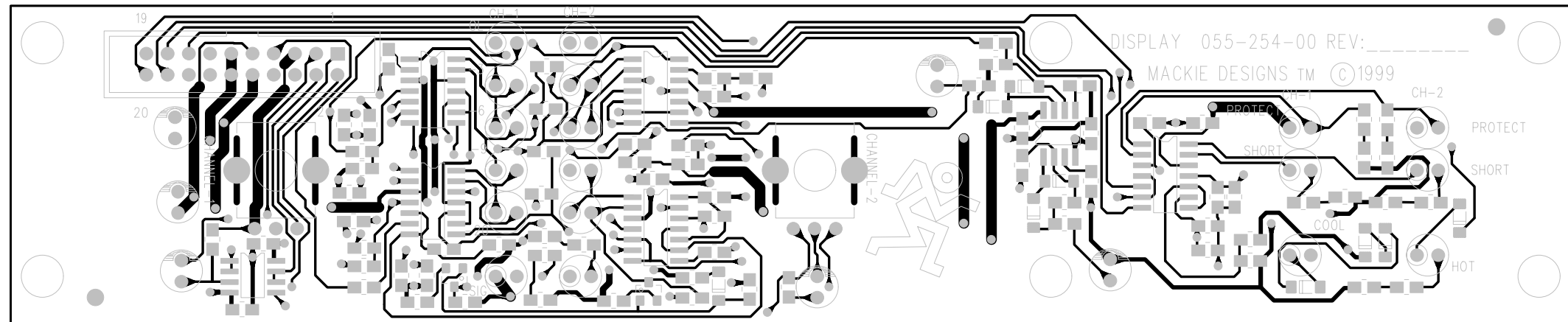


UNLESS OTHERWISE SPECIFIED DIMENSIONS ARE IN INCHES. TOLERANCES ARE: FRACTIONS: DECIMALS: ANGLES: ±NA .XX ±.01 ±MA .XXX ±.005	APPROVALS	DATE	 Mackie Designs Inc. Woodinville, Wa.
	DRAWN: trh	2-9-99	
MATERIAL: SEE NOTES	CHECKED:	NP ENG:	SCHEMATIC, DISPLAY, M1400 S2
FINISH: SEE NOTES	MATERIAL:	MFG:	
DO NOT SCALE DRAWING	ISSUED:	MFG ENG:	SIZE: D SCALE: NONE DWG. NO. 990-254-00 REV. A DWG FILE: SHEET 1 OF 1

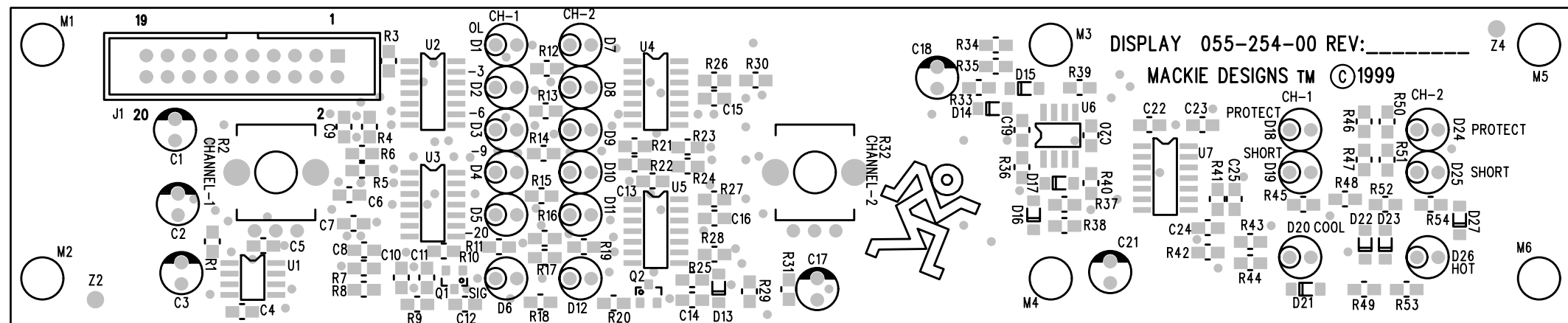
- 706-033-08 STDF SWAGE NO.4 X .665
- 450-254-00 PCB, DISPLAY, M1400 S2



Solder side traces and pads



Component side traces and pads



Component side