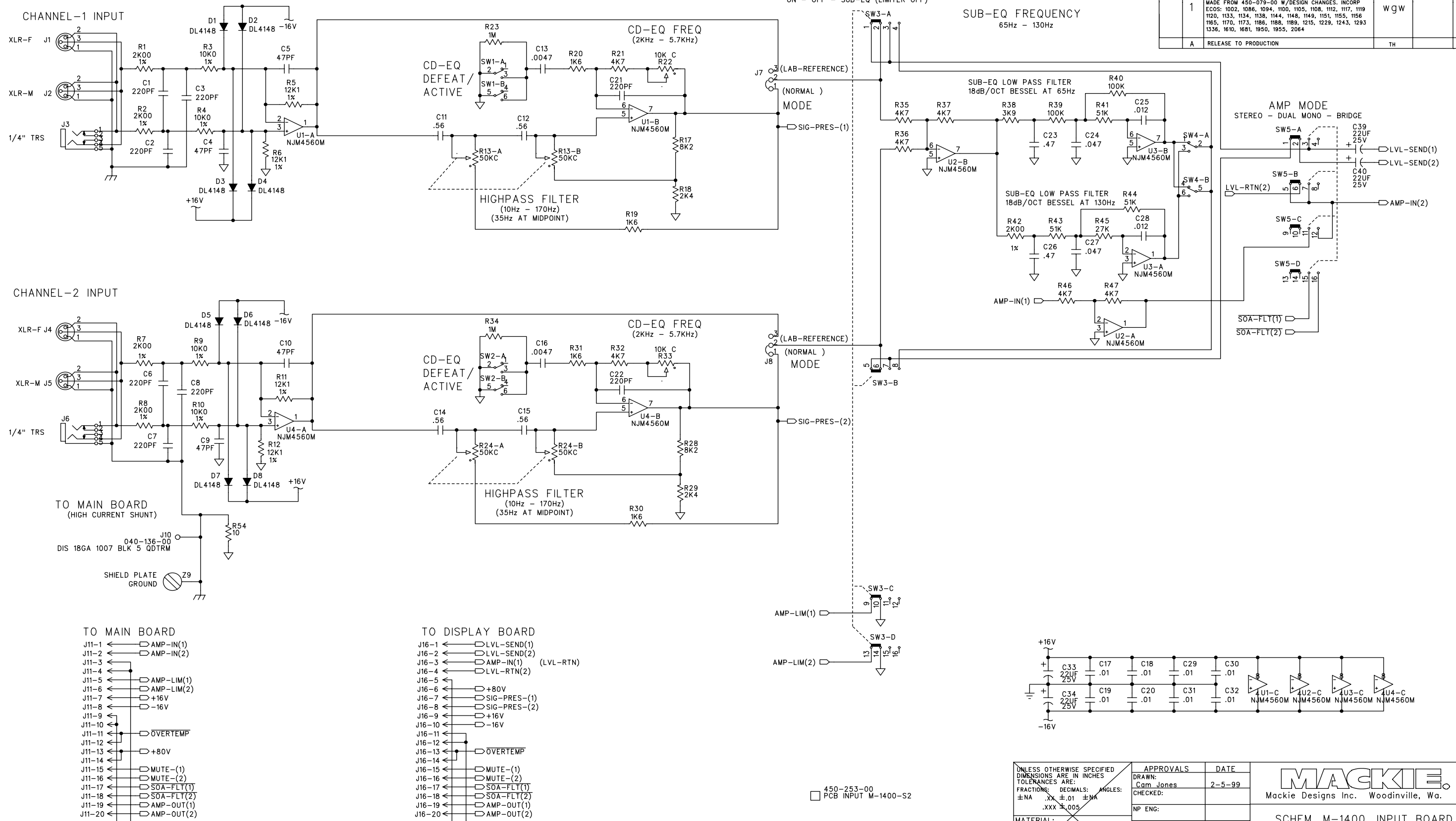
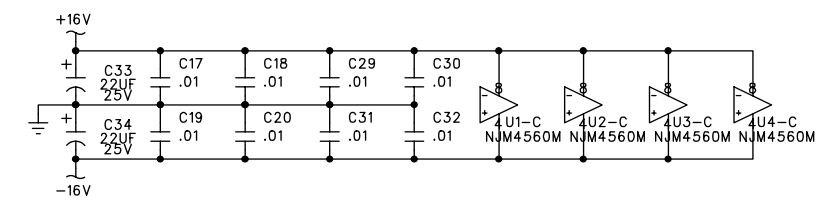


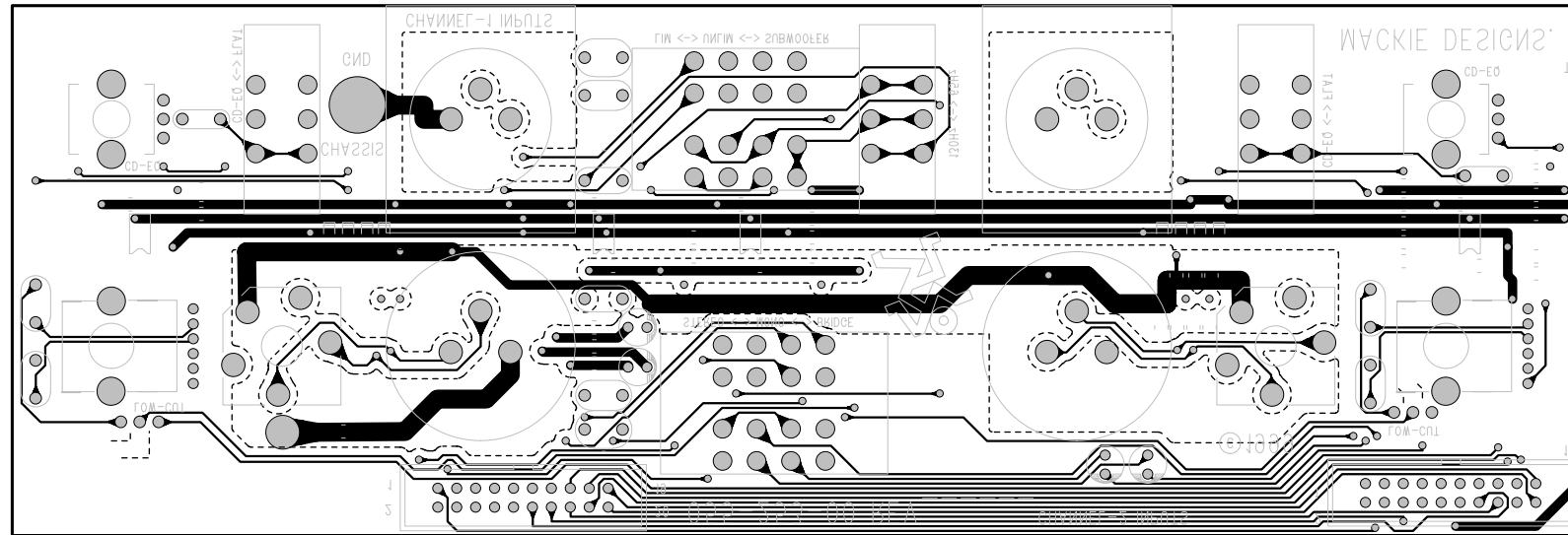
DWG. NO.	990-253-00	SHT	1	REV.	A
ECO#	REV.	DESCRIPTION	REV. BY:	APP. BY:	DATE
1	A	MADE FROM 450-079-00 W/DESIGN CHANGES. INCORP ECOS: 1002, 1086, 1094, 1100, 1105, 1108, 1112, 1117, 1119 1120, 1133, 1134, 1136, 1144, 1148, 1149, 1151, 1155, 1156 1165, 1170, 1173, 1186, 1188, 1189, 1215, 1229, 1243, 1293 1336, 1610, 1681, 1950, 1955, 2064	WJW		2-12-99
		RELEASE TO PRODUCTION	TH		3-26-99



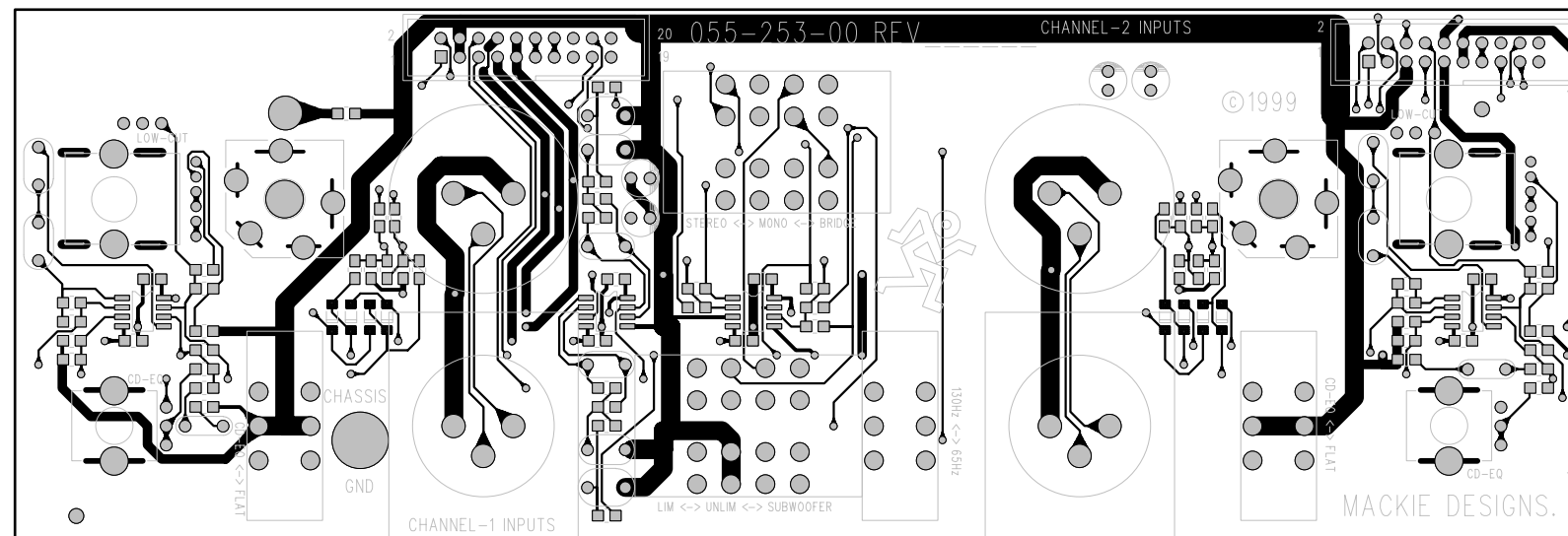
- TO MAIN BOARD**
- J11-1 AMP-IN(1)
 - J11-2 AMP-IN(2)
 - J11-3 AMP-IN(1)
 - J11-4 AMP-LIM(1)
 - J11-5 AMP-LIM(2)
 - J11-6 +16V
 - J11-7 -16V
 - J11-8 OVERTEMP
 - J11-9 +80V
 - J11-10 MUTE-(1)
 - J11-11 MUTE-(2)
 - J11-12 SOA-FLT(1)
 - J11-13 SOA-FLT(2)
 - J11-14 AMP-OUT(1)
 - J11-15 AMP-OUT(2)
- TO DISPLAY BOARD**
- J16-1 LVL-SEND(1)
 - J16-2 LVL-SEND(2)
 - J16-3 AMP-IN(1)
 - J16-4 LVL-RTN(2)
 - J16-5 +80V
 - J16-6 SIG-PRES-(1)
 - J16-7 SIG-PRES-(2)
 - J16-8 +16V
 - J16-9 -16V
 - J16-10 OVERTEMP
 - J16-11 MUTE-(1)
 - J16-12 MUTE-(2)
 - J16-13 SOA-FLT(1)
 - J16-14 SOA-FLT(2)
 - J16-15 AMP-OUT(1)
 - J16-16 AMP-OUT(2)



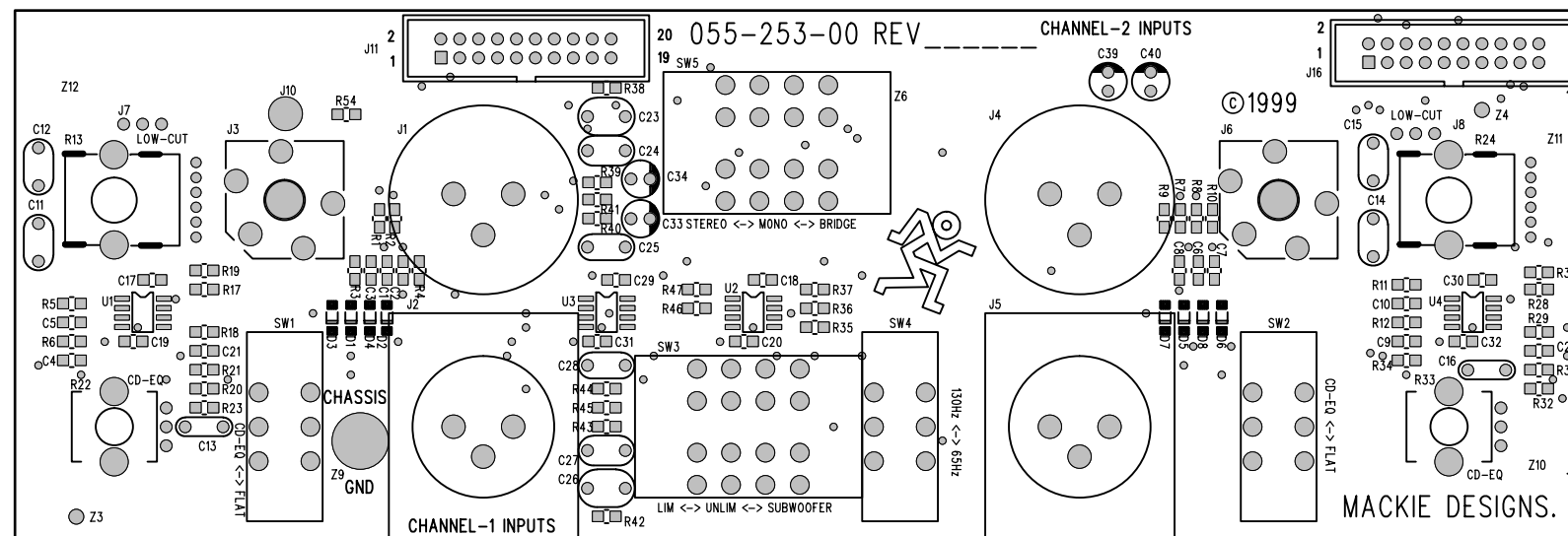
UNLESS OTHERWISE SPECIFIED DIMENSIONS ARE IN INCHES TOLERANCES ARE: FRACTIONS: DECIMALS: ANGLES: ±NA .XX ±.01 ±MA .XXX ±.005	APPROVALS	DATE	MACKIE Mackie Designs Inc. Woodinville, Wa.
	DRAWN: Cam Jones	2-5-99	
MATERIAL: SEE NOTES	MATERIAL:		SCHEM, M-1400, INPUT BOARD
FINISH: SEE NOTES	MFG:		
DO NOT SCALE DRAWING	ISSUED:		SIZE: D SCALE: NONE DWG. NO. 990-253-00 SHEET 1 OF 1



Solder side traces and pads



Component side traces and pads



Component side