

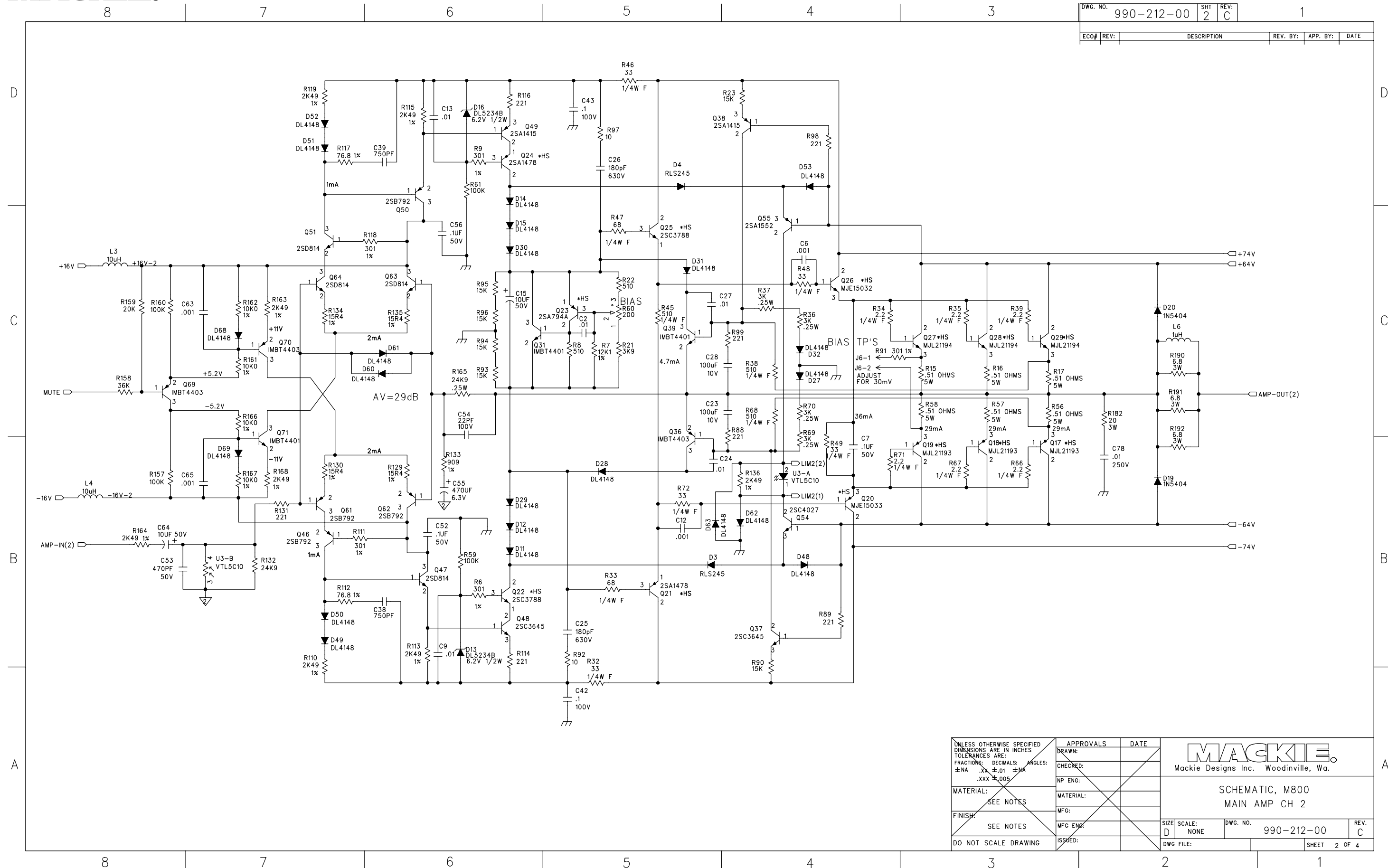
- 730-003-00 ADHESIVE INDSTRL 3M 4799, USE A/R
- 450-212-00 PCB, MAIN, M-800
- 550-392-00 SHIELD, GROUND M800
- 400-129-00 FUSE CLIP PC MT .25" DIA

UNLESS OTHERWISE SPECIFIED DIMENSIONS ARE IN INCHES TOLERANCES ARE: FRACTIONS: .XX ±.01 DECIMALS: .XXX ±.005 ANGLES: ° MATERIAL: SEE NOTES FINISH: SEE NOTES DO NOT SCALE DRAWING	APPROVALS	DATE
	DRAWN: DA	2-16-99
	CHECKED:	
	NP ENG: Cam Jones	7-8-99
	MATERIAL:	
	MFG:	
	MFG ENG:	
	ISSUED:	

MACKIE
Mackie Designs Inc. Woodville, Wa.

SCHEMATIC, M800 AMPLIFIER
MAIN AMP CH1

SIZE: D	SCALE: NONE	DWG. NO. 990-212-00	REV. C
DWG FILE:		SHEET 1 OF 4	

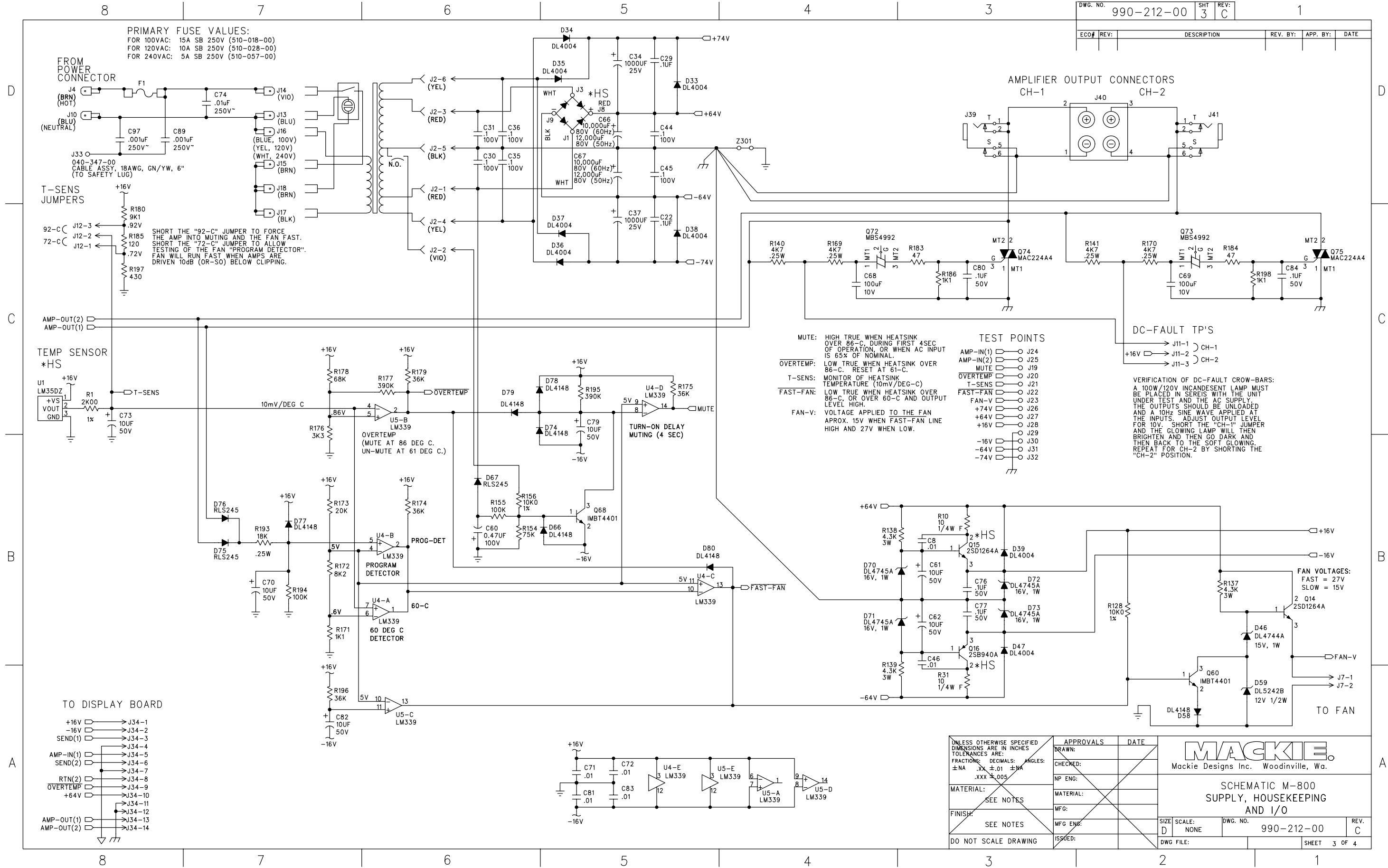


UNLESS OTHERWISE SPECIFIED DIMENSIONS ARE IN INCHES TOLERANCES ARE: FRACTIONS: DECIMALS: ANGLES: ±NA .XX ±.01 ±NA .XXX ±.005	APPROVALS	DATE		
	DRAWN:			
	CHECKED:			
	MP ENG:			
MATERIAL:	MATERIAL:		SCHEMATIC, M800 MAIN AMP CH 2	
SEE NOTES	MFG:			
SEE NOTES	MFG ENG:			
DO NOT SCALE DRAWING	ISSUED:			
	SIZE: D	SCALE: NONE	DWG. NO. 990-212-00	REV. C
	DWG FILE:			SHEET 2 OF 4

212-2 MAIN BOARD 212 REV C

ECO#	REV:	DESCRIPTION	REV. BY:	APP. BY:	DATE

PRIMARY FUSE VALUES:
 FOR 100VAC: 15A SB 250V (510-018-00)
 FOR 120VAC: 10A SB 250V (510-028-00)
 FOR 240VAC: 5A SB 250V (510-057-00)

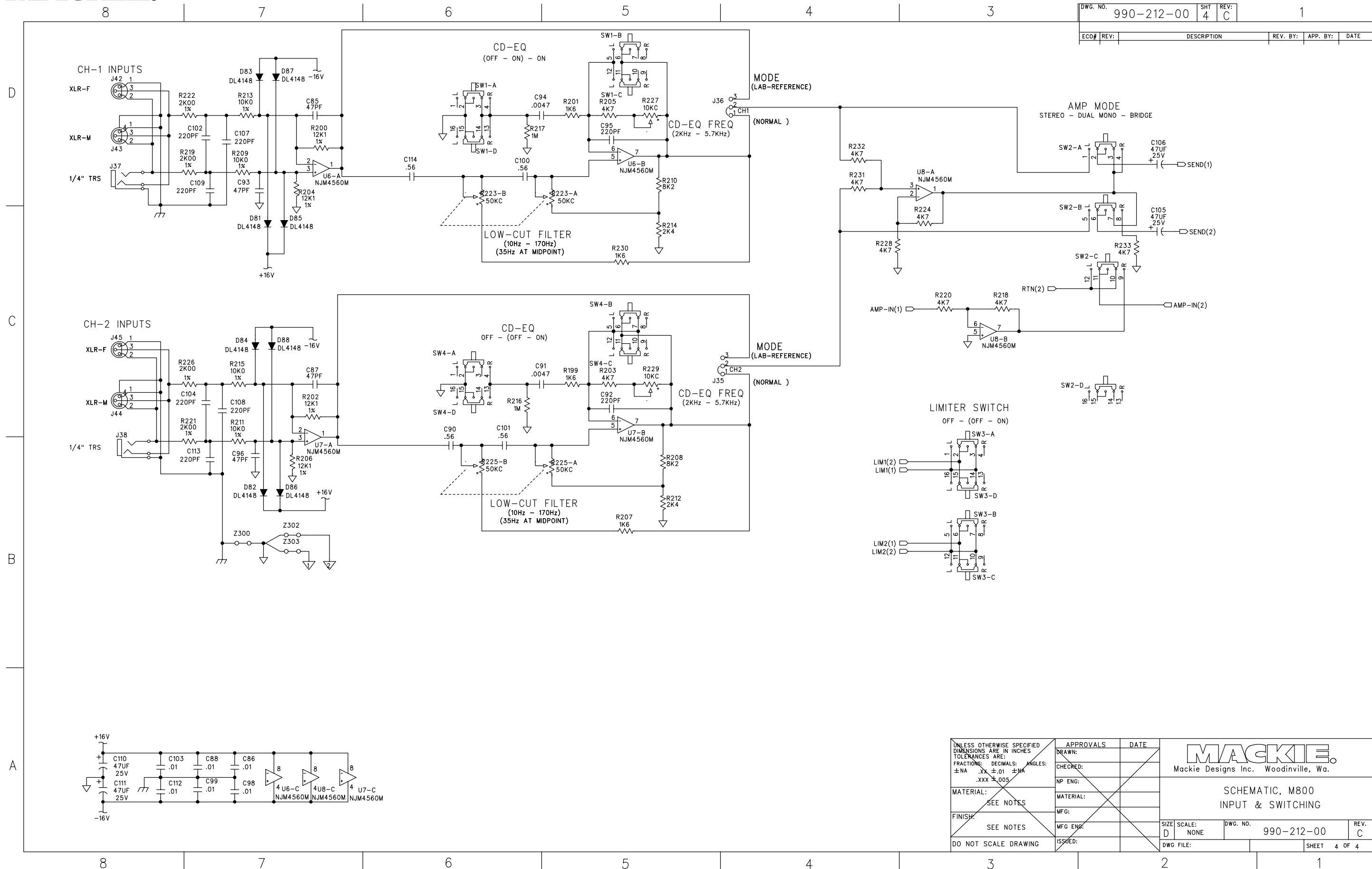


APPROVALS	DATE
DRAWN:	
CHECKED:	
NP ENG:	
MATERIAL:	
MFG:	
MFG ENG:	
ISSUED:	

MACKIE
 Mackie Designs Inc. Woodinville, Wa.

**SCHEMATIC M-800
 SUPPLY, HOUSEKEEPING
 AND I/O**

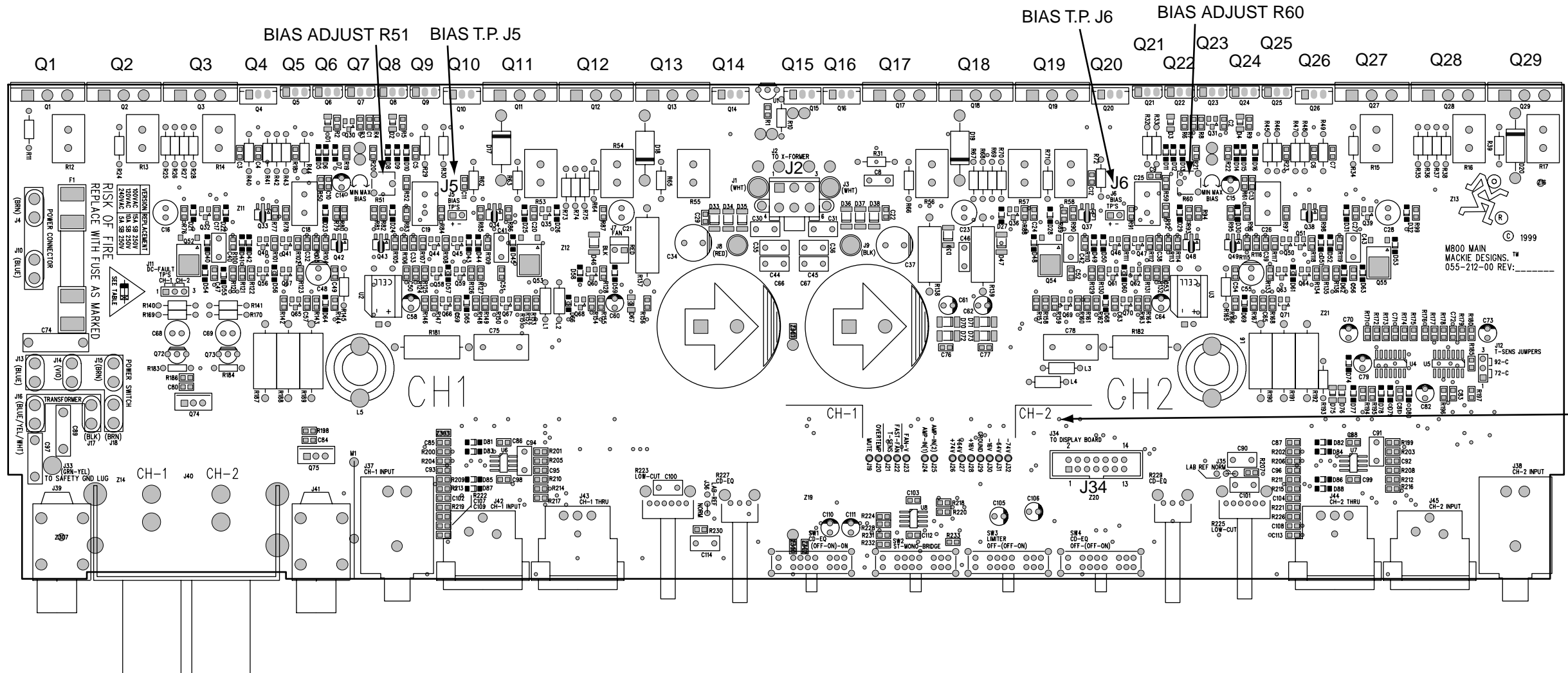
SIZE: D	SCALE: NONE	DWG. NO. 990-212-00	REV. C
DWG. FILE:		SHEET 3 OF 4	



UNLESS OTHERWISE SPECIFIED DIMENSIONS ARE IN INCHES TOLERANCES ARE: FRACTIONS: DECIMALS: ANGLES: ±NA .XX ±.01 ±MA .XXX ±.005	APPROVALS	DATE	
	DRAWN:		
	CHECKED:		
	NP ENG:		
MATERIAL:	MATERIAL:		SCHEMATIC, M800 INPUT & SWITCHING
SEE NOTES	MFG:		
SEE NOTES	MFG ENG:		
DO NOT SCALE DRAWING	ISSUED:		
	SIZE: D	SCALE: NONE	DWG. NO. 990-212-00
			REV. C
	DWG FILE:		SHEET 4 OF 4

212-4 MAIN BOARD 212 REV C

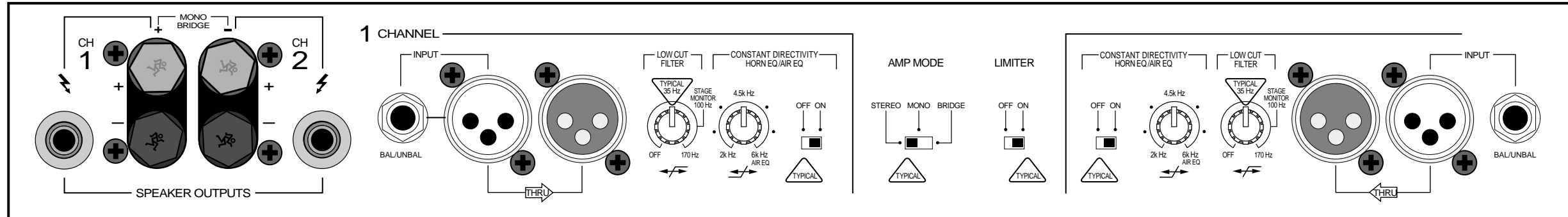
PART #	DESCRIPTION	TYPE	REFERENCE	PART #	DESCRIPTION	TYPE	REFERENCE
301-017-00	THY MBS4992	MBS4992	Q72-73	311-009-00	TRANSISTOR PNP SMD	2SA1552	Q52 Q55
301-026-00	TRIAC 200V 40A	MAC224A4	Q74-75	311-010-00	XSTR NPN 2SC4027-FA	2SC4027	Q53-54
310-028-00	TRANSISTOR PNP	2SB940A	Q16	311-019-00	TRANSISTOR PNP SMD	2SB792	Q41 Q45-46 Q50 Q58-59 Q61-62
310-029-00	TRANSISTOR NPN	2SD1264A	Q14-15	311-020-00	TRANSISTOR NPN SMD	2SD814	Q40 Q44 Q47 Q51 Q56-57 Q63-64
310-033-00	TRANSISTOR PNP	MJL21193	Q11-13 Q17-19	320-012-00	OPAMP NJM4560M	NJM4560M	U6-8
310-034-00	TRANSISTOR NPN	MJL21194	Q1-3 Q27-29	323-002-00	QUAD COMPARATOR	LM339	U4-5
310-035-00	TRANSISTOR PNP	2SA1478	Q6 Q9 Q21 Q24	329-012-00	OPTO-ISO,LED/CDS	VTL5C10	U2-3
310-036-00	TRANSISTOR NPN	2SC3788	Q5 Q8 Q22 Q25	329-014-00	IC, TEMP SENSOR	LM35DZ	U1
310-042-00	TRANSISTOR NPN	MJE15032	Q4 Q26				
310-043-00	TRANSISTOR PNP	MJE15033	Q10 Q20				
310-049-00	TRANSISTOR PNP	2SA794A	Q7 Q23				
311-001-00	XSTR NPN IMBT4401 SM	IMBT4401	Q30-32 Q39 Q60 Q65 Q68 Q71				
311-002-00	X-SISTOR PNP SMD	IMBT4403	Q35-36 Q66-67 Q69-70				
311-007-00	XSTR PNP 2SA1415	2SA1415	Q33 Q38 Q42 Q49				
311-008-00	TRANSISTOR NPN SMD	2SC3645	Q34 Q37 Q43 Q48				



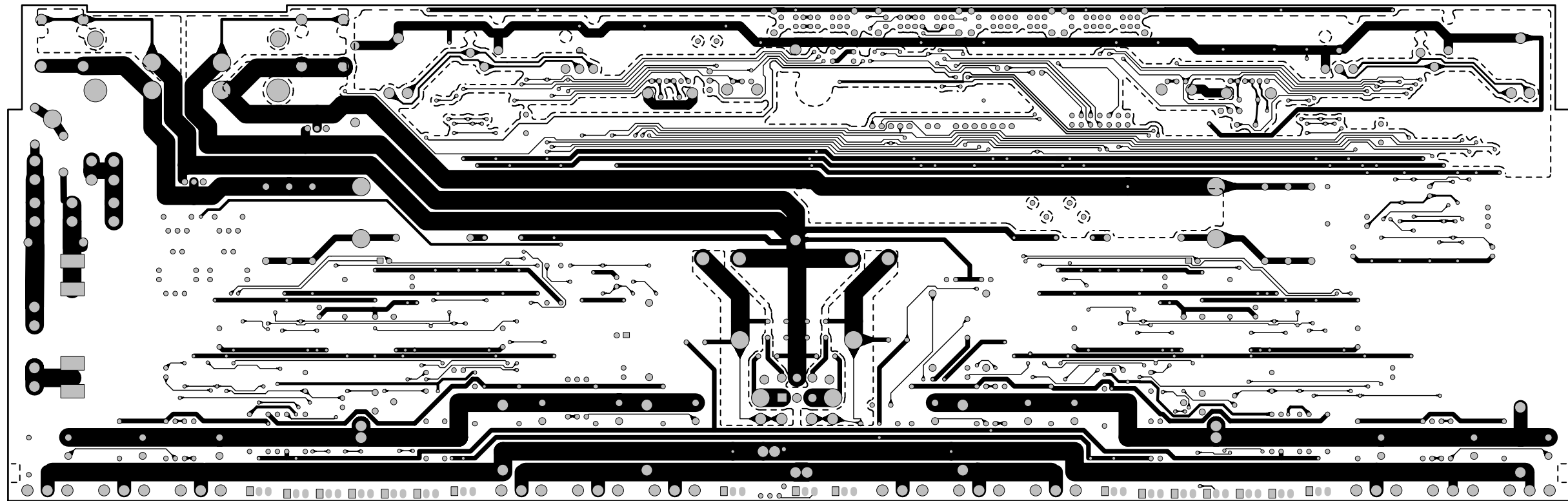
MUTE: HIGH TRUE WHEN HEATSINK OVER 86-C, DURING FIRST 4SEC OF OPERATION, OR WHEN AC INPUT IS 85% OF NOMINAL.
 OVERTEMP: LOW TRUE WHEN HEATSINK OVER 86-C. RESET AT 61-C.
 T-SENS: MONITOR OF HEATSINK TEMPERATURE (10mV/DEG-C)
 FAST-FAN: LOW TRUE WHEN HEATSINK OVER 86-C, OR OVER 60-C AND OUTPUT LEVEL HIGH.
 FAN-V: VOLTAGE APPLIED TO THE FAN APPROX. 15V WHEN FAST-FAN LINE HIGH AND 27V WHEN LOW.

TEST POINTS

- AMP-IN(1) J24
- AMP-IN(2) J25
- MUTE J19
- OVERTEMP J20
- T-SENS J21
- FAST-FAN J22
- FAN-V J23
- +74V J26
- +64V J27
- +16V J28
- 16V J29
- 64V J31
- 74V J32



Bottom surface



Top surface

