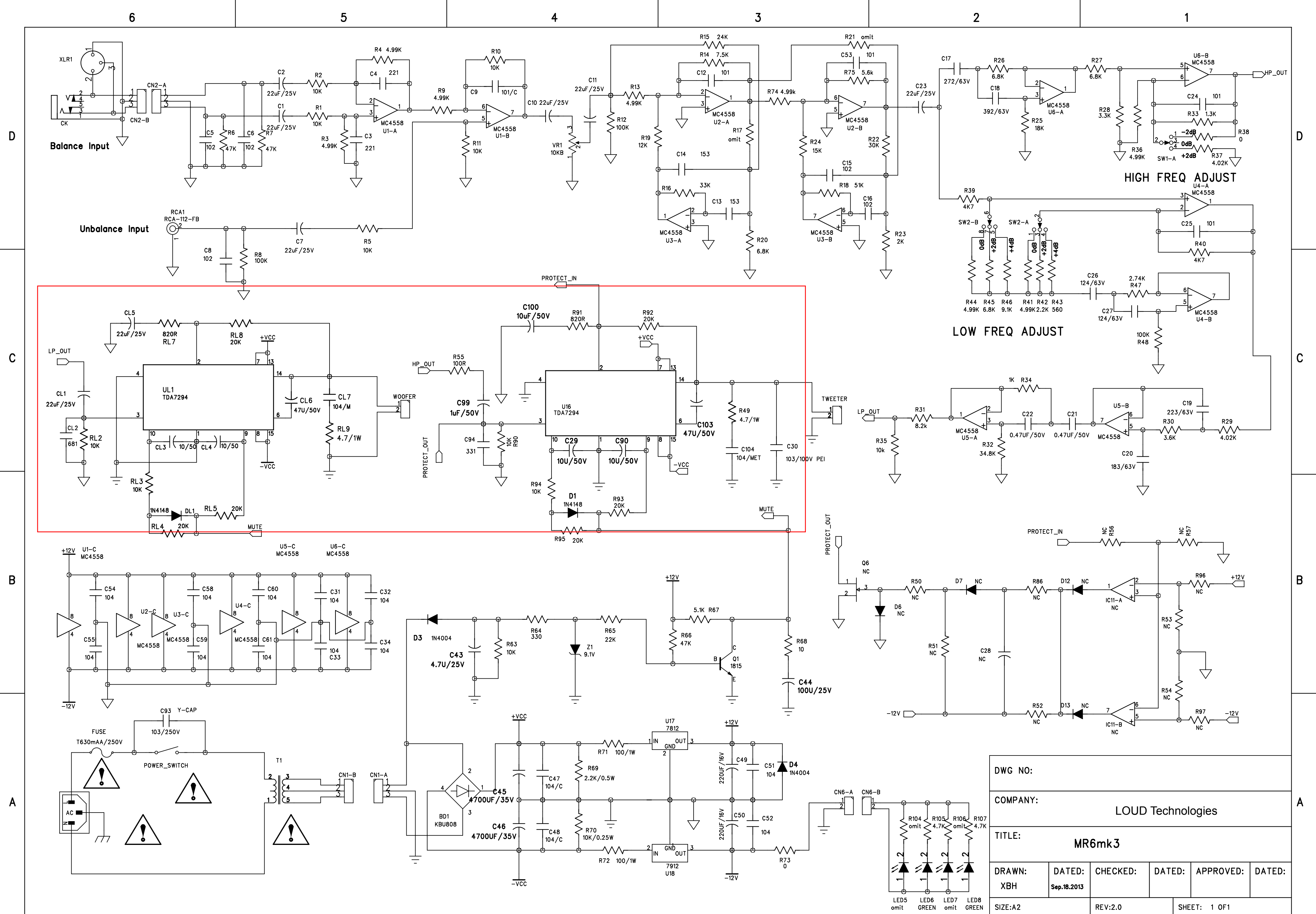


DWG NO:				
COMPANY: LOUD Technologies				
TITLE: MR6mk3				
DRAWN: robert	DATED: Jun.07.2013	CHECKED:	DATED:	APPROVED:
SIZE:A2	REV:3.0	SHEET: 1 OF 1		



DWG NO:					
COMPANY: LOUD Technologies					
TITLE: MR6mk3					
DRAWN: XBH	DATED: Sep.18.2013	CHECKED:	DATED:	APPROVED:	DATED:
SIZE:A2		REV:2.0		SHEET: 1 OF 1	