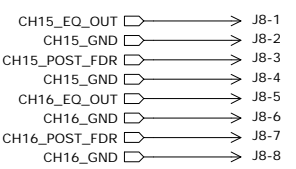
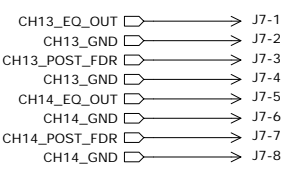
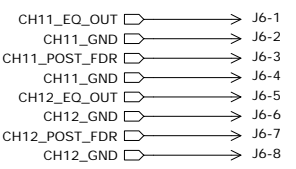
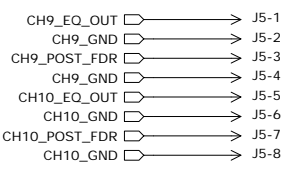
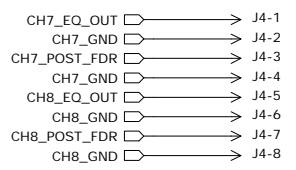
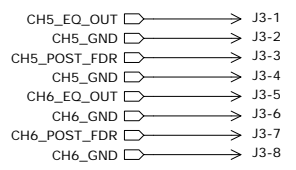
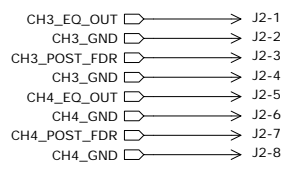
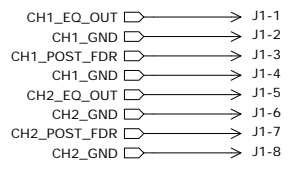
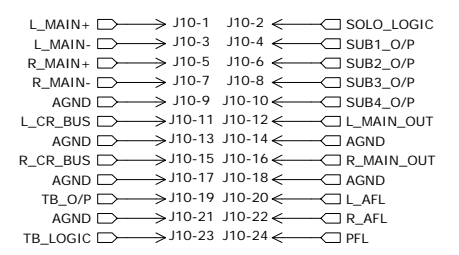


### CHANNELS TO EQ



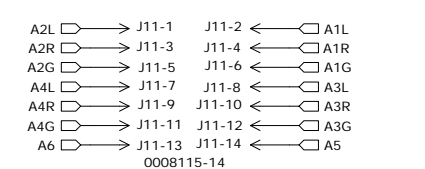
### TO EQ BOARD

#### CONTROL ROOM

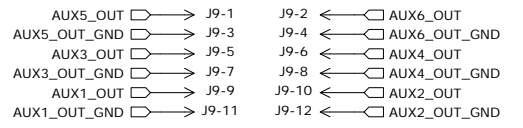


### TO POD BOARD

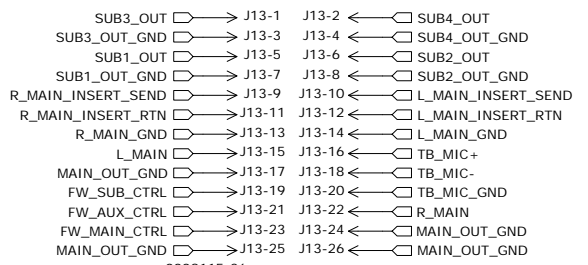
#### AUX RETURNS



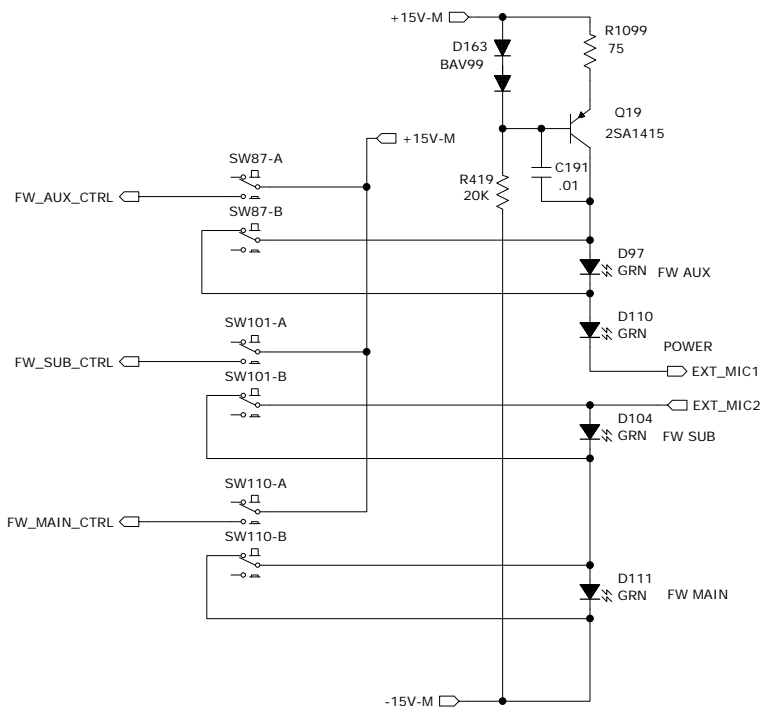
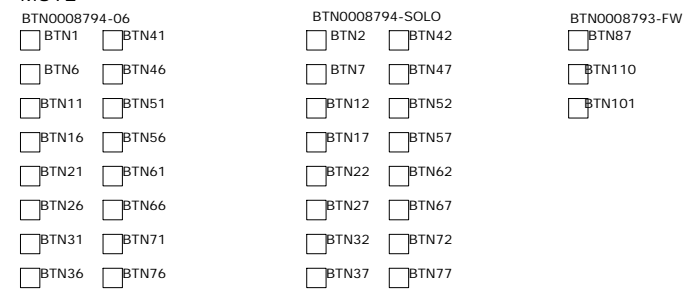
#### AUX SENDS



#### MAIN/SUB/MISC

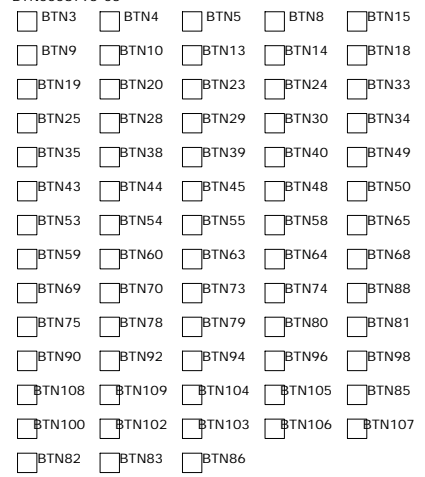


#### MUTE

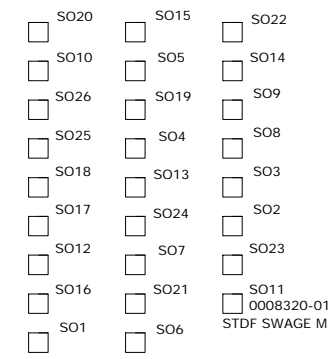
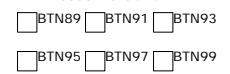


#### SM RECTANGLE BUTTON 5X7mm CONTROL GREY

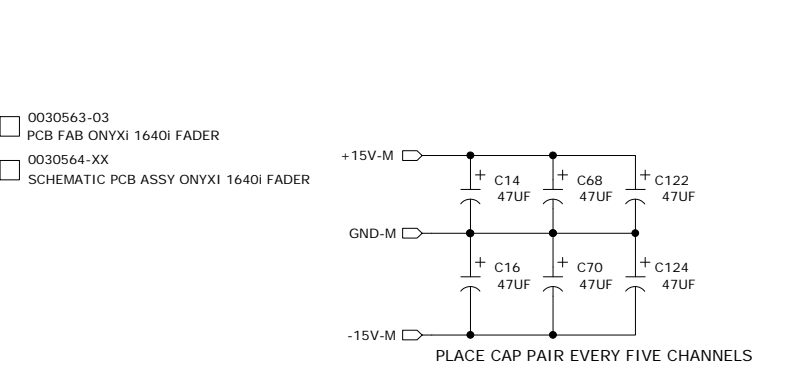
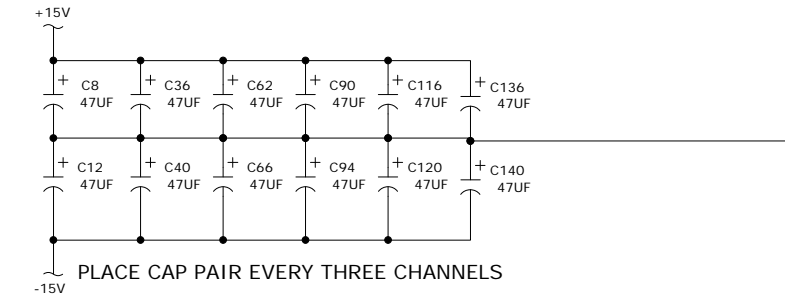
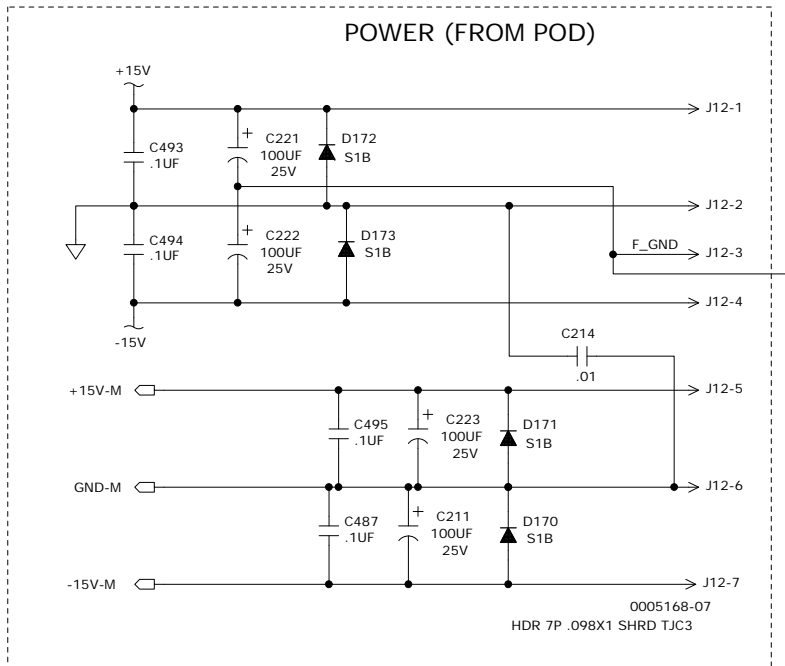
BTN0008793-03



#### BTN0008793-SOLO



PCB1  0030563-03  
 PCB FAB ONYX1 1640I FADER  
 SCH1  0030564-XX  
 SCHEMATIC PCB ASSY ONYX1 1640I FADER

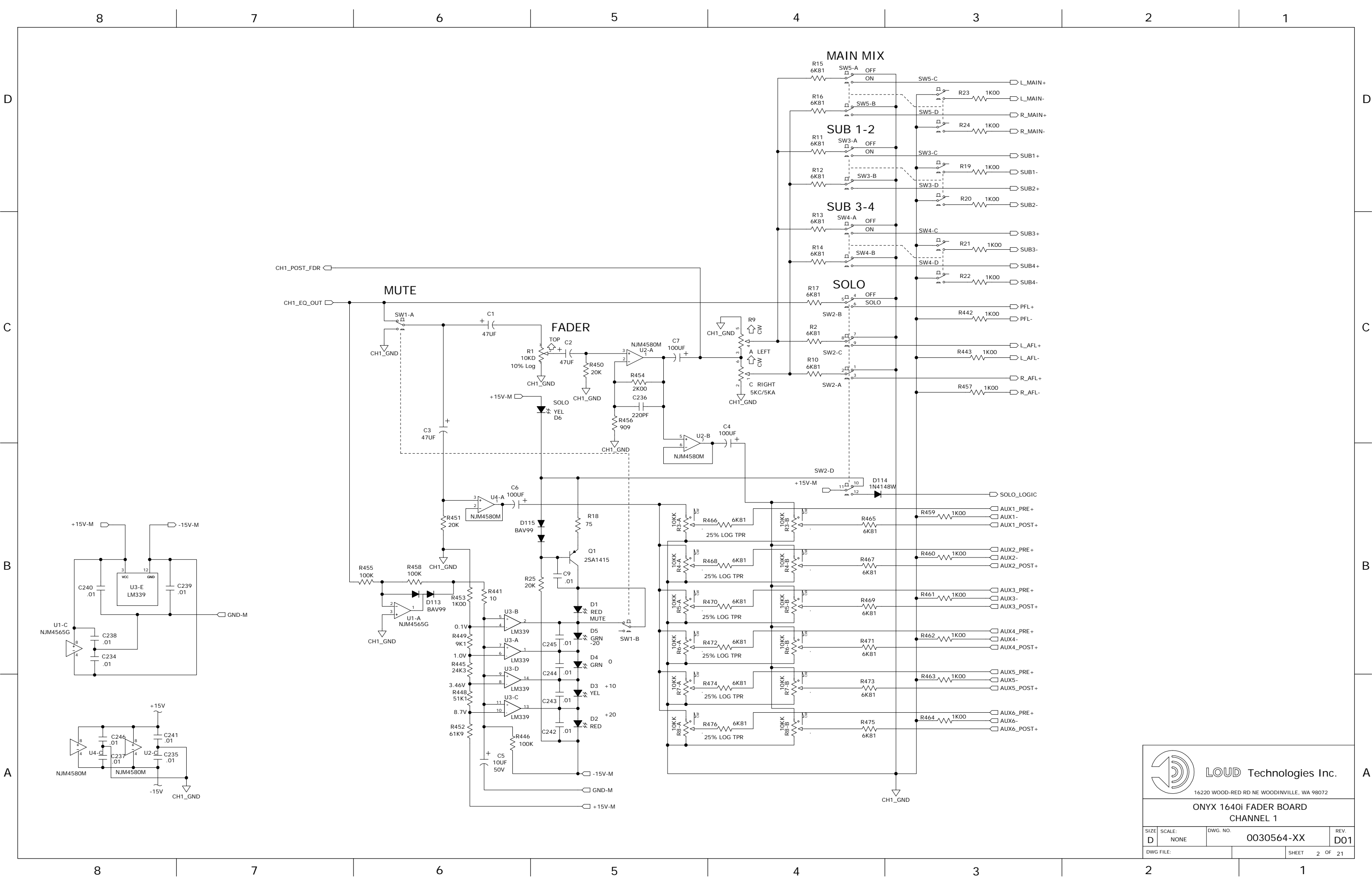



APPROVALS	DATE
DRAWN: DB	04-01-08
CHECKED:	
NP ENG:	
MATERIAL:	
MFG:	
MFG ENG:	
ISSUED:	



ONYX 1640i FADER BOARD INTERCONNECTS	
SIZE: D	SCALE: NONE
DWG. NO. 0030564-XX	REV. D01
DWG. FILE:	SHEET 1 OF 21

© 2008 LOUD TECHNOLOGIES INC.  
 ALL RIGHTS RESERVED  
 THE INFORMATION CONTAINED HEREIN  
 IS PROPRIETARY AND CONFIDENTIAL  
 PROPERTY OF LOUD TECHNOLOGIES INC.

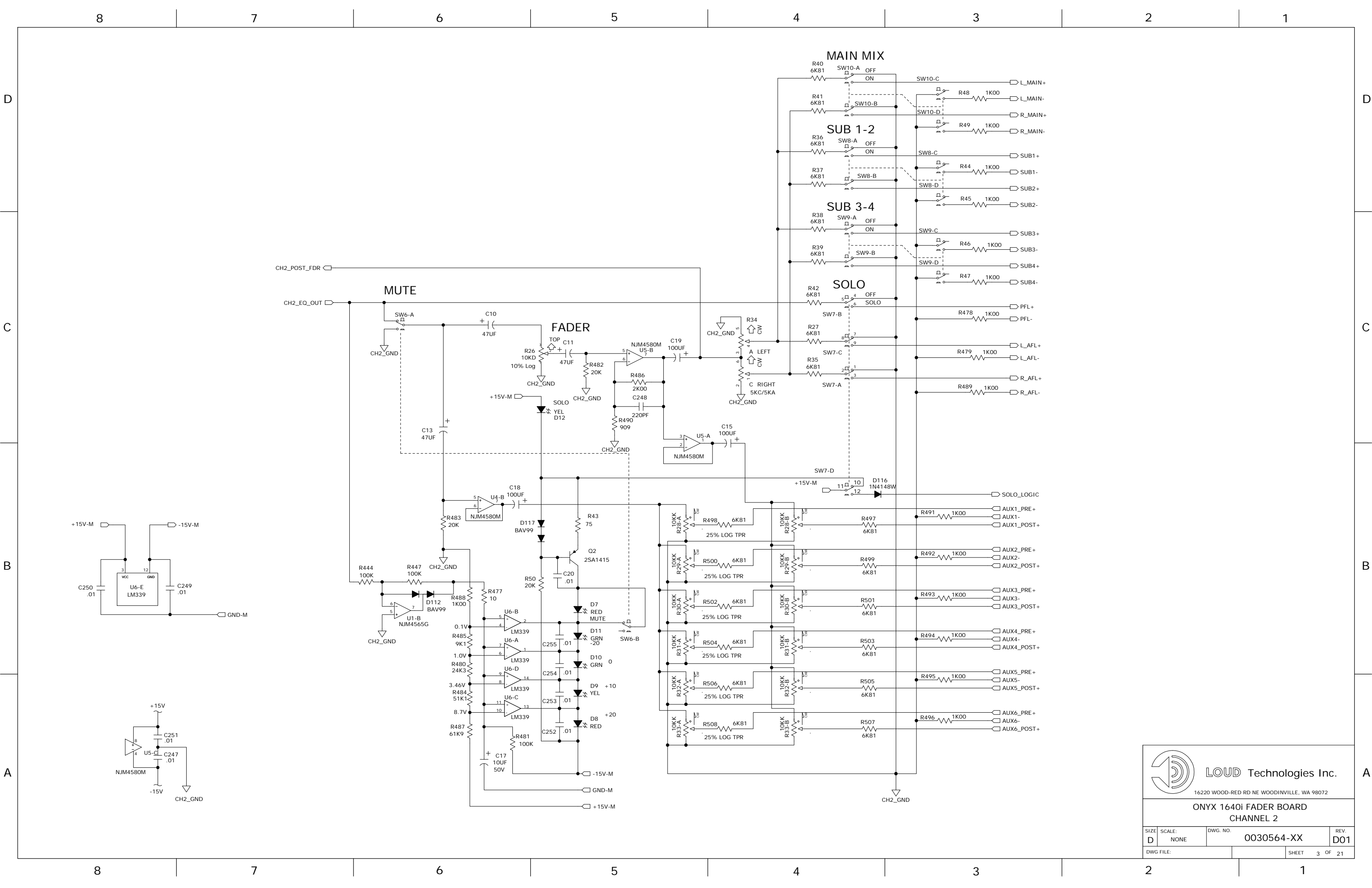





**LOUD Technologies Inc.**  
16220 WOOD-RED RD NE WOODINVILLE, WA 98072

**ONYX 1640i FADER BOARD  
CHANNEL 1**

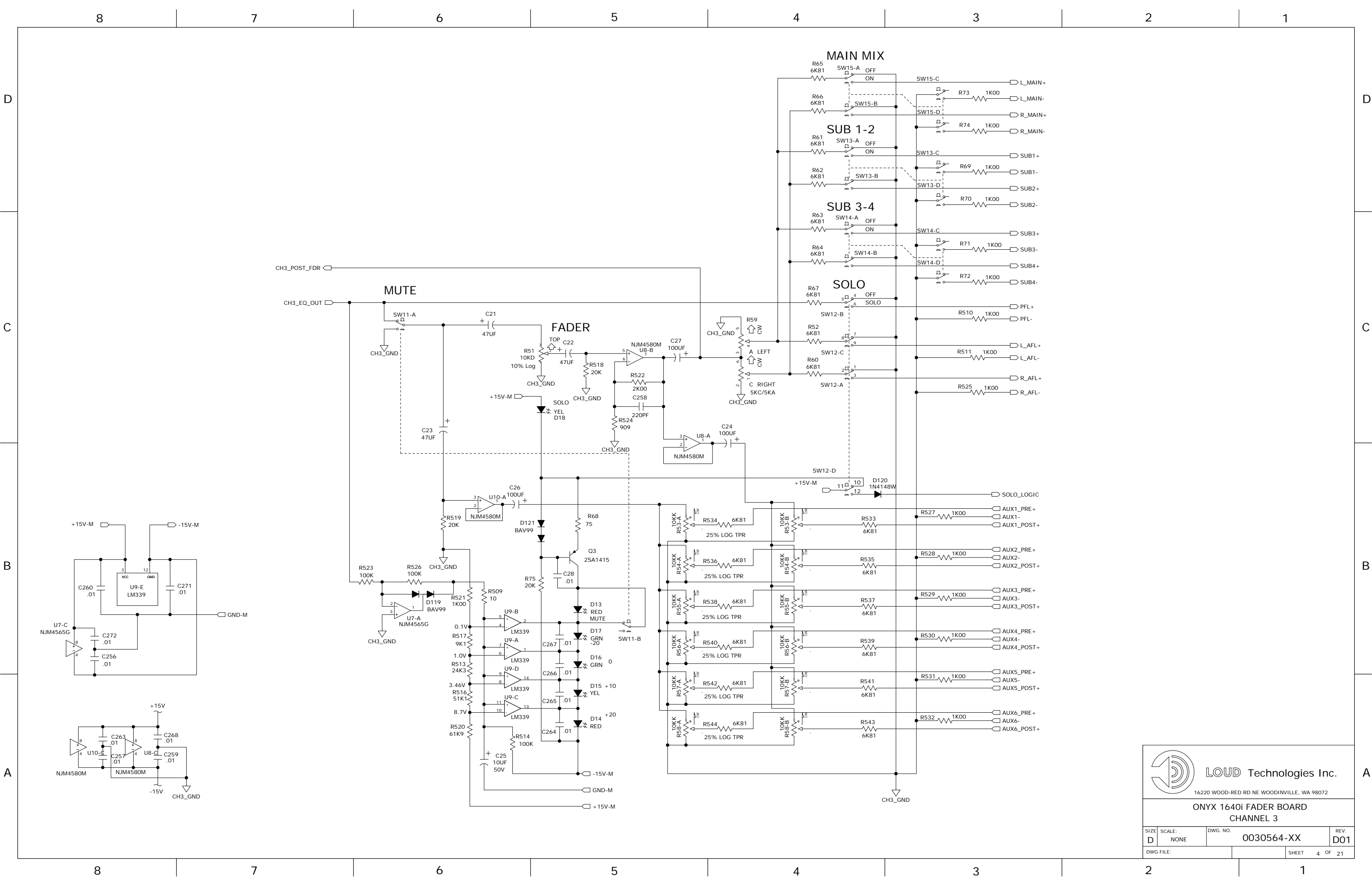
SIZE: D	SCALE: NONE	DWG. NO.: 0030564-XX	REV: D01
DWG. FILE:		SHEET 2 OF 21	




**LOUD Technologies Inc.**  
 16220 WOOD-RED RD NE WOODINVILLE, WA 98072

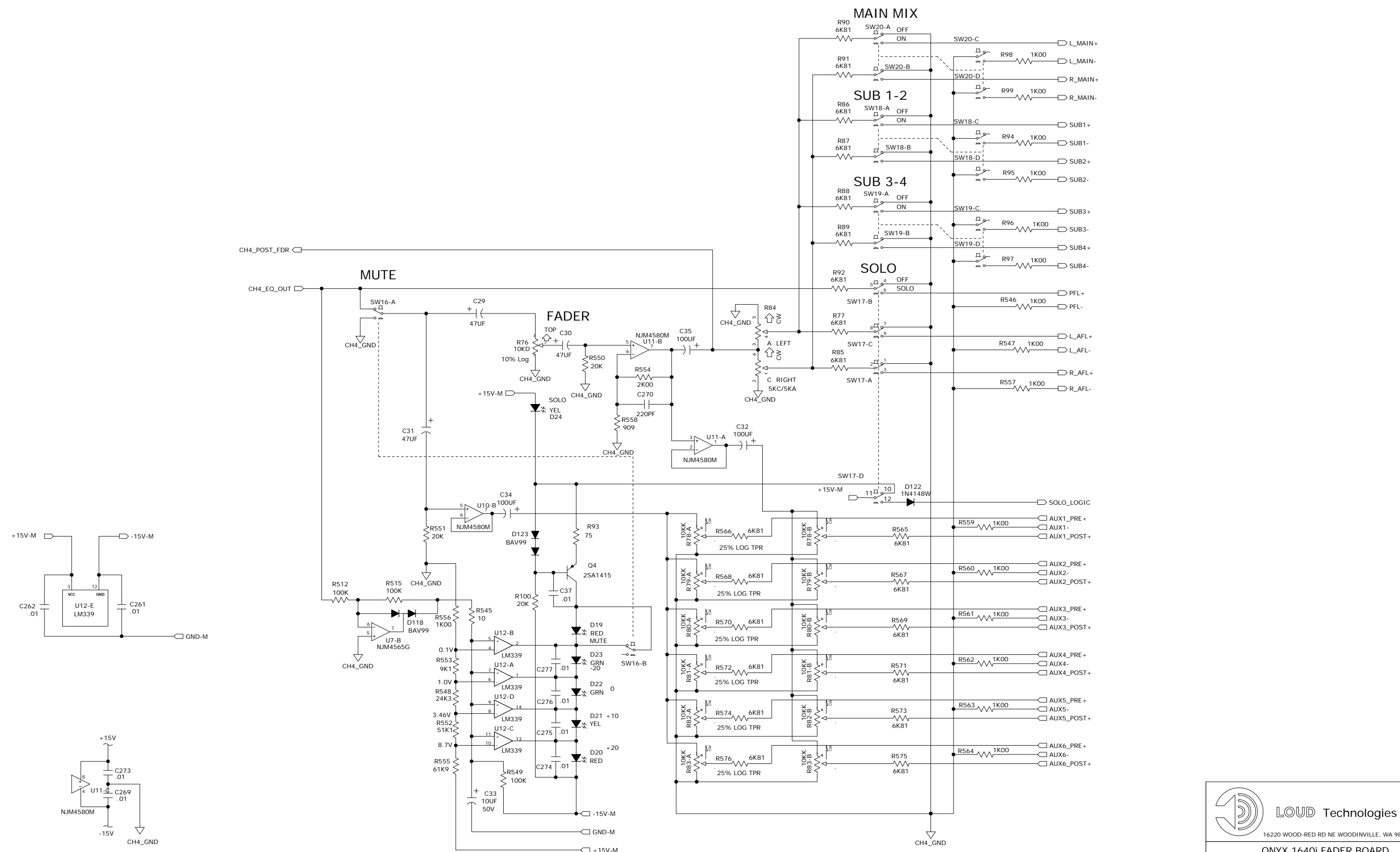
**ONYX 1640i FADER BOARD  
CHANNEL 2**

SIZE: D	SCALE: NONE	DWG. NO.: 0030564-XX	REV. NO.: D01
DWG. FILE:		SHEET 3 OF 21	



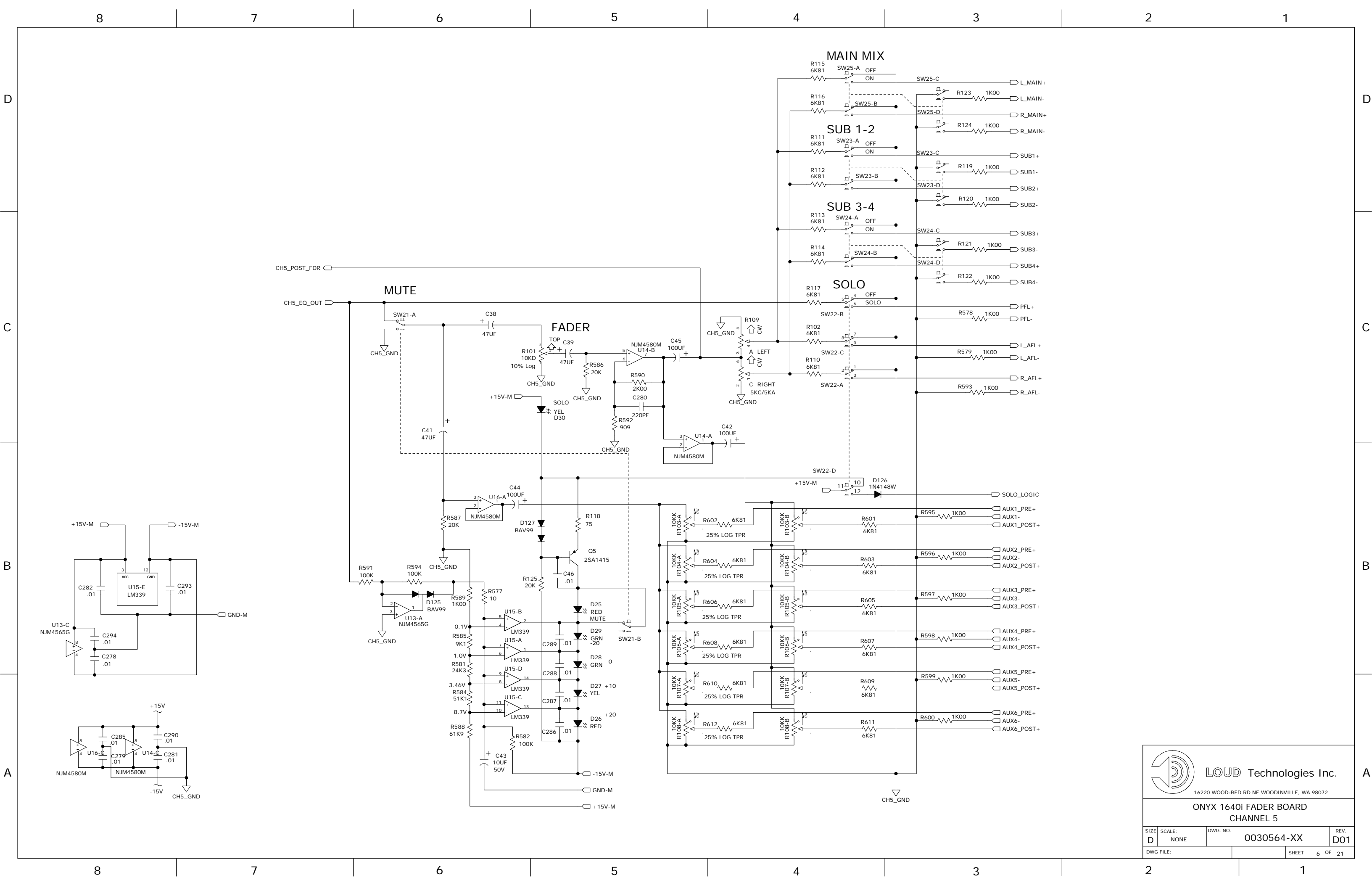
**ONYX 1640i FADER BOARD  
CHANNEL 3**

SIZE: D	SCALE: NONE	DWG. NO.: 0030564-XX	REV. D01
DWG. FILE:		SHEET 4 OF 21	



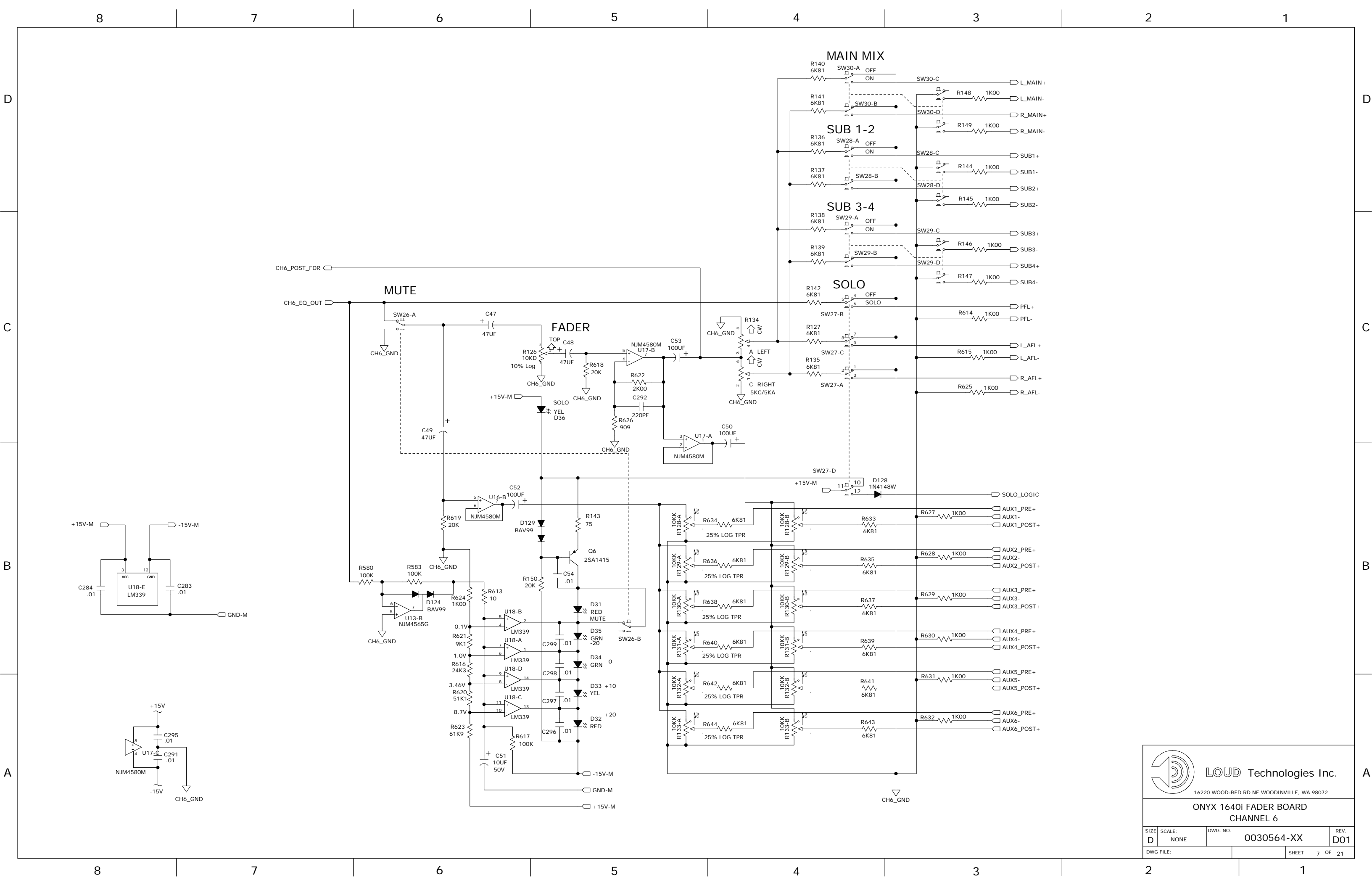
**ONYX 1640i FADER BOARD  
CHANNEL 4**


SIZE: D	SCALE: NONE	DWG. NO.: 0030564-XX	REV. NO.: D01
DWG. FILE:		SHEET 5 OF 21	

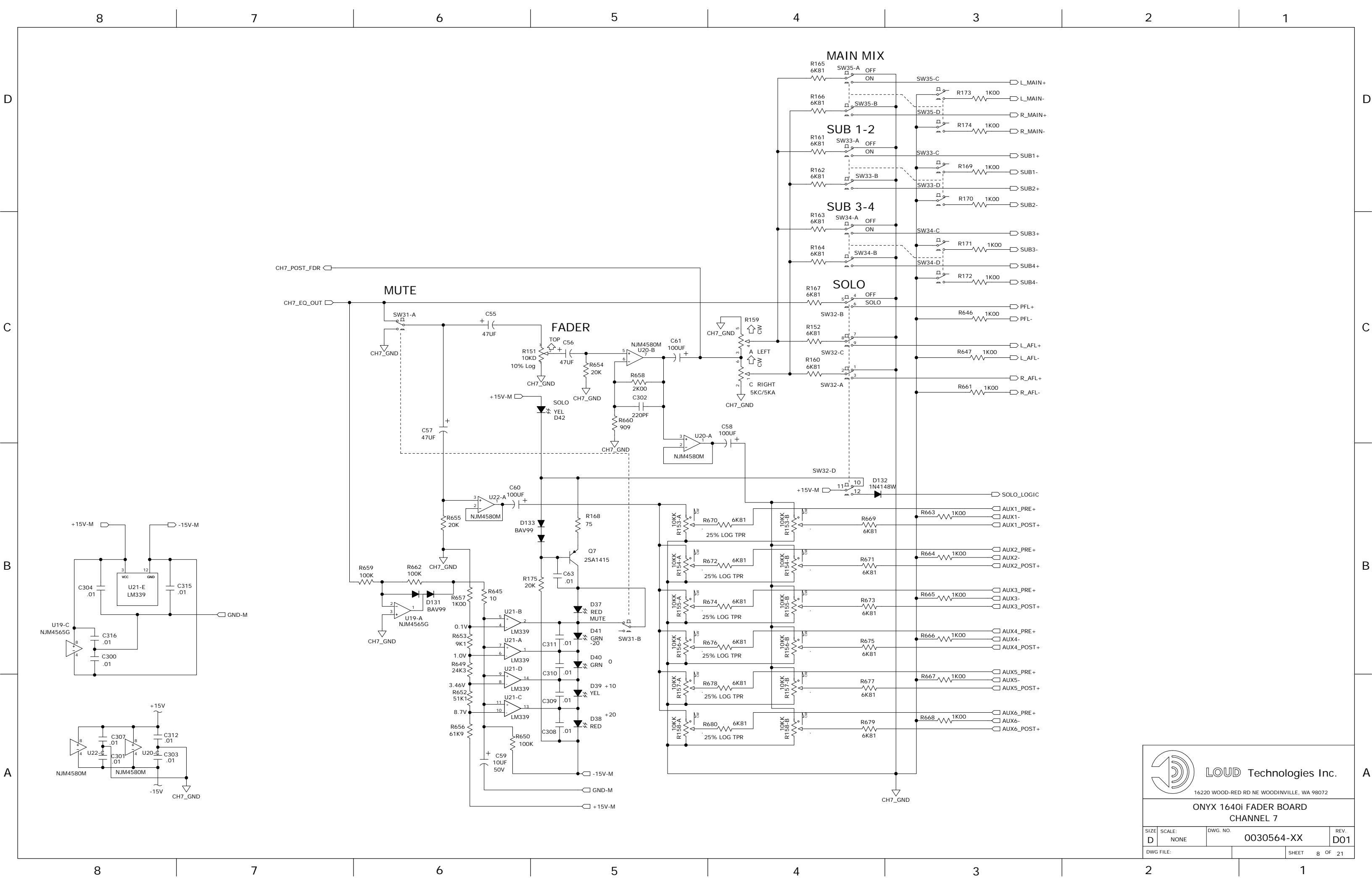


**ONYX 1640i FADER BOARD  
CHANNEL 5**

SIZE: D	SCALE: NONE	DWG. NO.: 0030564-XX	REV. D01
DWG. FILE:		SHEET 6 OF 21	



 <b>LOUD Technologies Inc.</b> 16220 WOOD-RED RD NE WOODINVILLE, WA 98072	
<b>ONYX 1640i FADER BOARD CHANNEL 6</b>	
SIZE: D SCALE: NONE DWG. NO.: 0030564-XX REV. NO.: D01	SHEET 7 OF 21

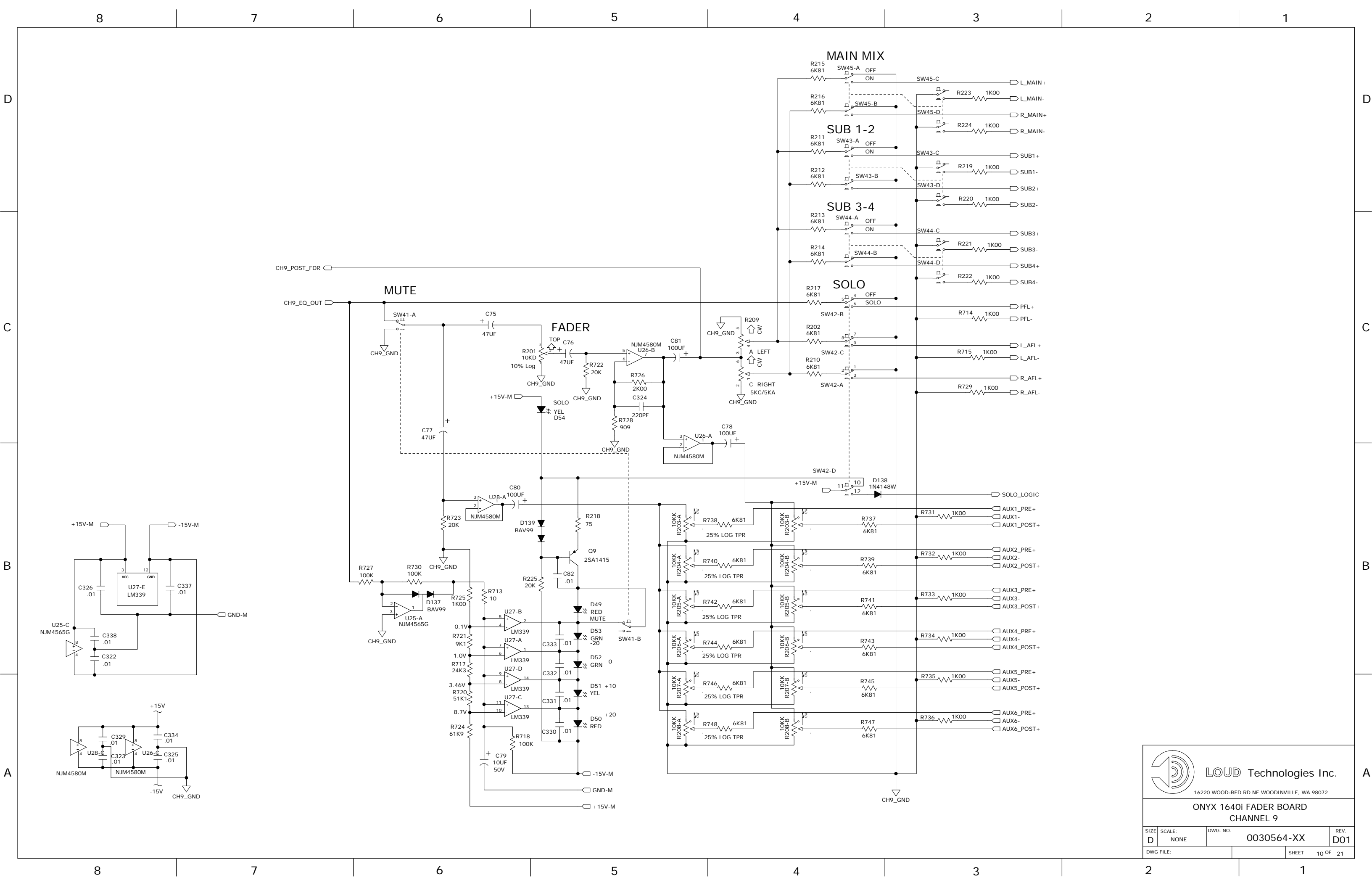


**ONYX 1640i FADER BOARD  
CHANNEL 7**

SIZE: D	SCALE: NONE	DWG. NO.: 0030564-XX	REV. D01
DWG. FILE:		SHEET 8 OF 21	

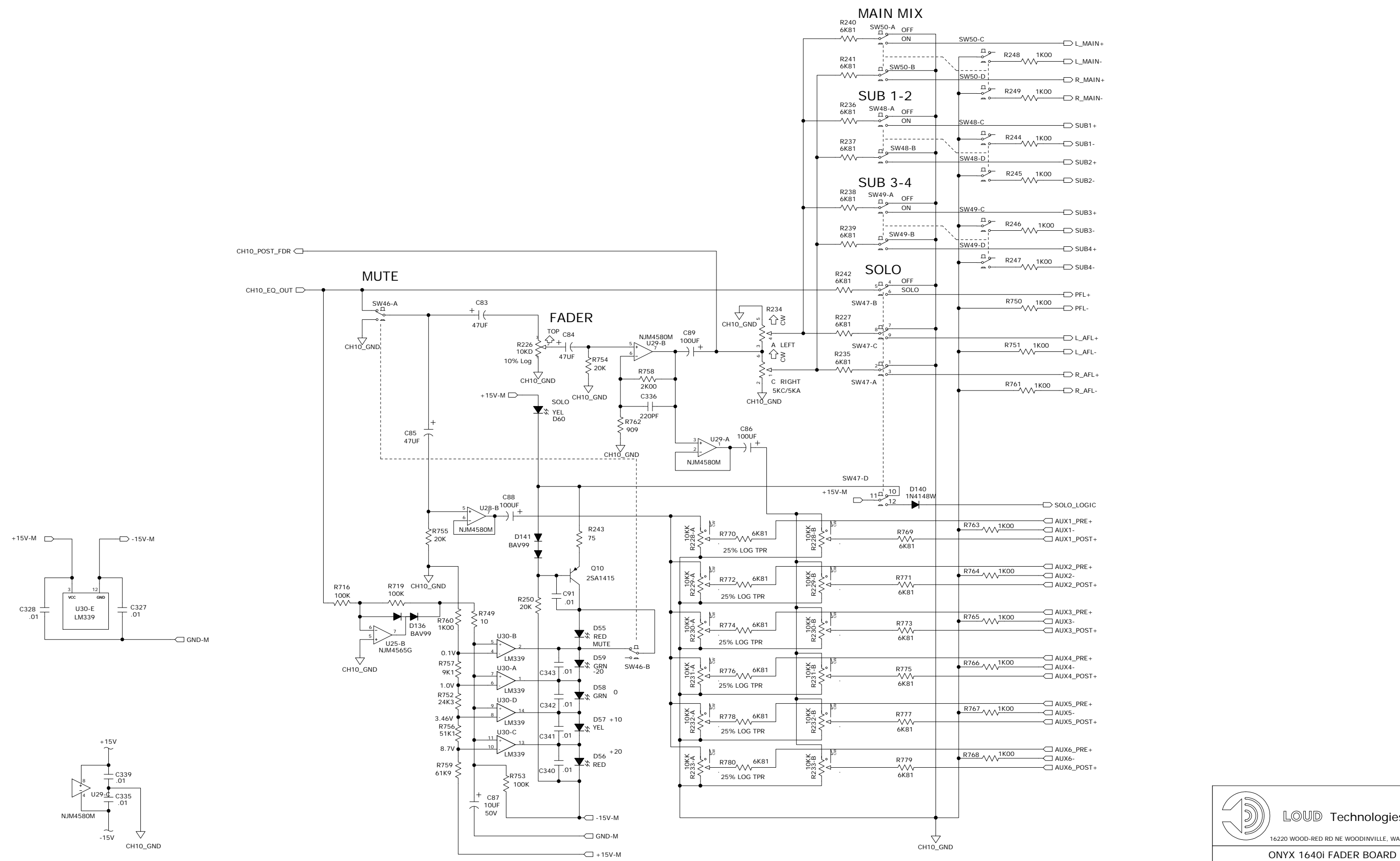







**ONYX 1640i FADER BOARD  
CHANNEL 9**

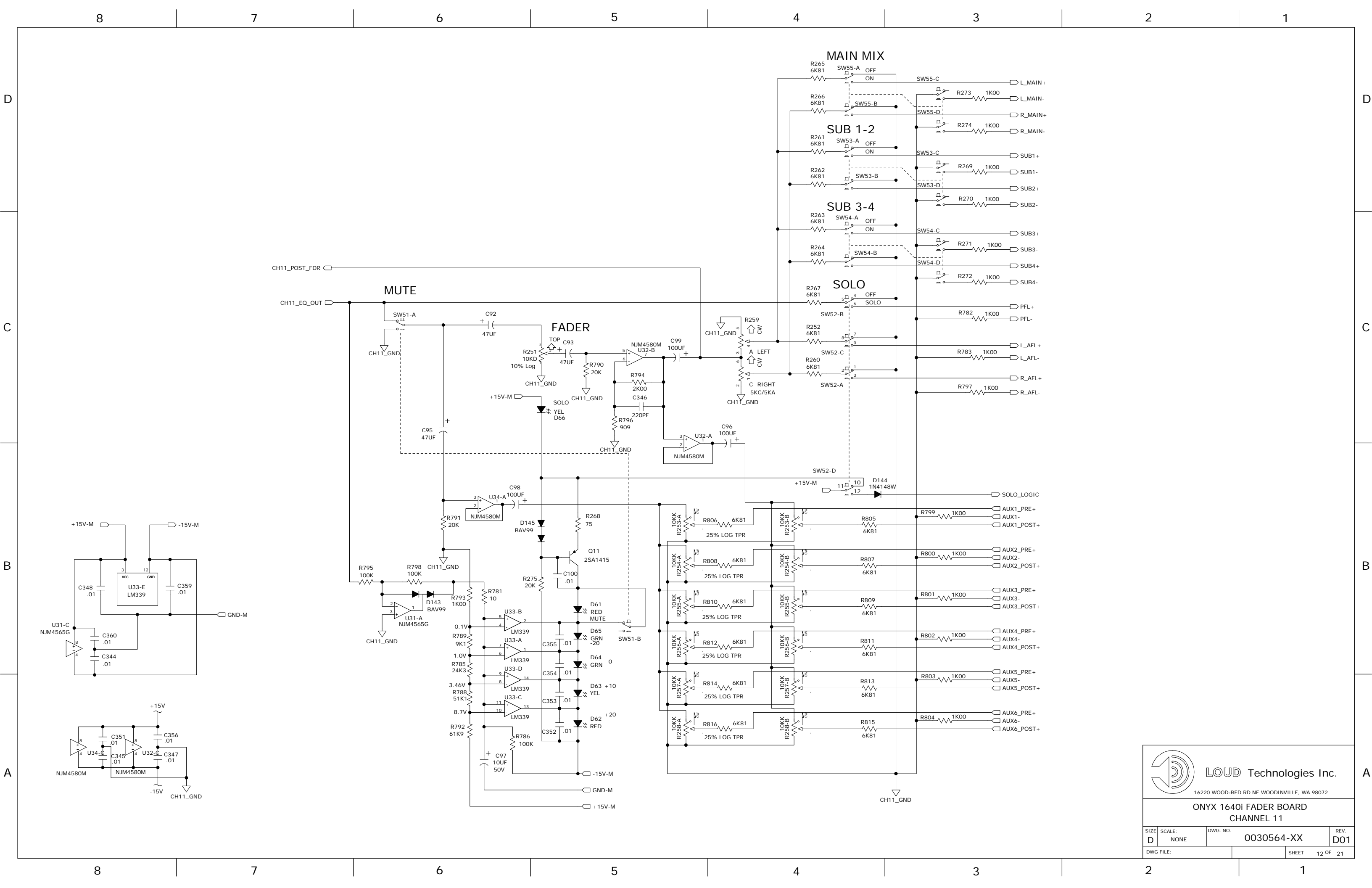
SIZE: D	SCALE: NONE	DWG. NO.: 0030564-XX	REV. D01
DWG. FILE:		SHEET 10 OF 21	




**LOUD Technologies Inc.**  
 16220 WOOD-RED RD NE WOODINVILLE, WA 98072

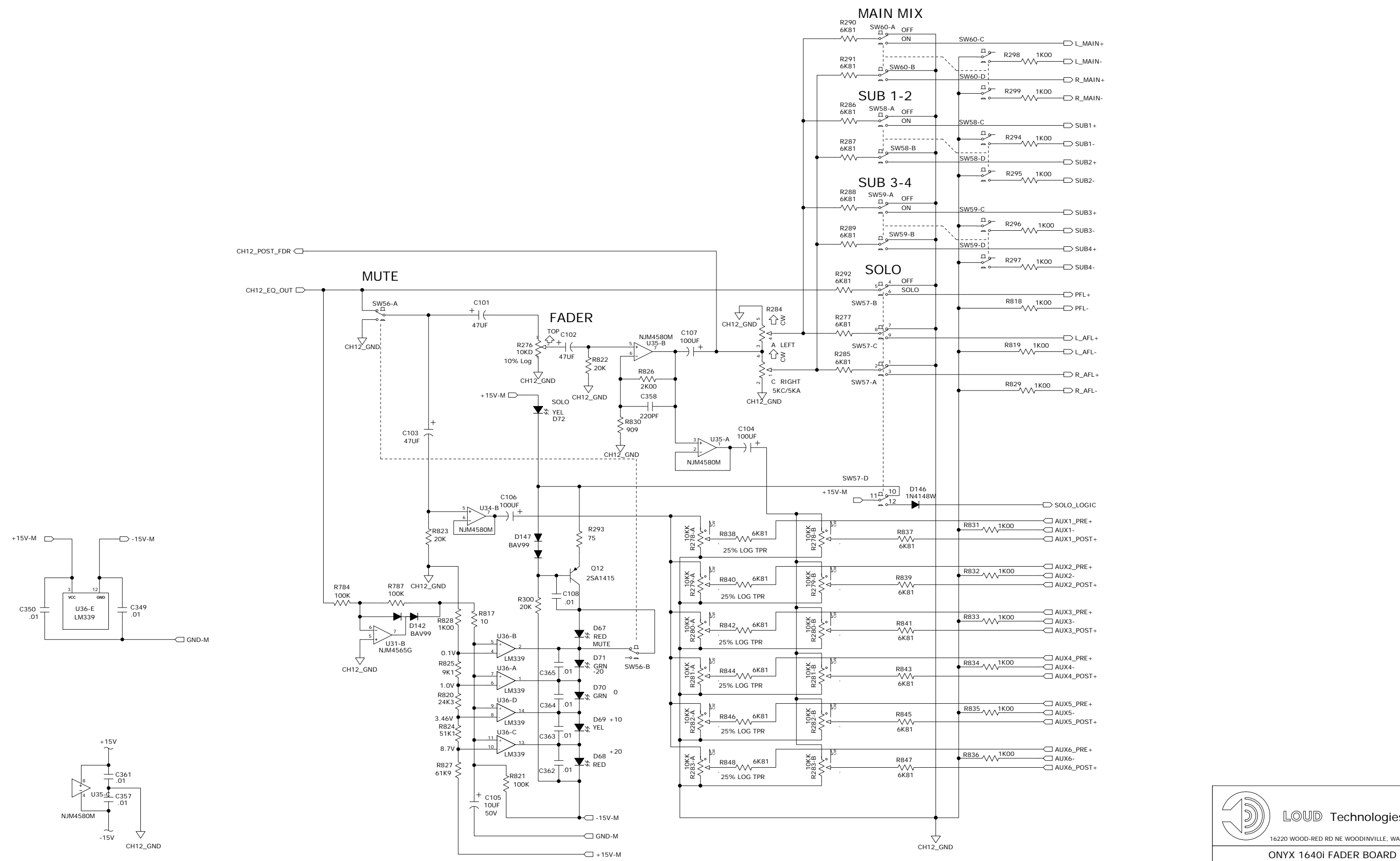
**ONYX 1640i FADER BOARD**  
**CHANNEL 10**


SIZE: D	SCALE: NONE	DWG. NO.: 0030564-XX	REV. D01
DWG. FILE:		SHEET 11 OF 21	



**ONYX 1640i FADER BOARD  
CHANNEL 11**

SIZE: D	SCALE: NONE	DWG. NO.: 0030564-XX	REV. D01
DWG. FILE:		SHEET 12 OF 21	

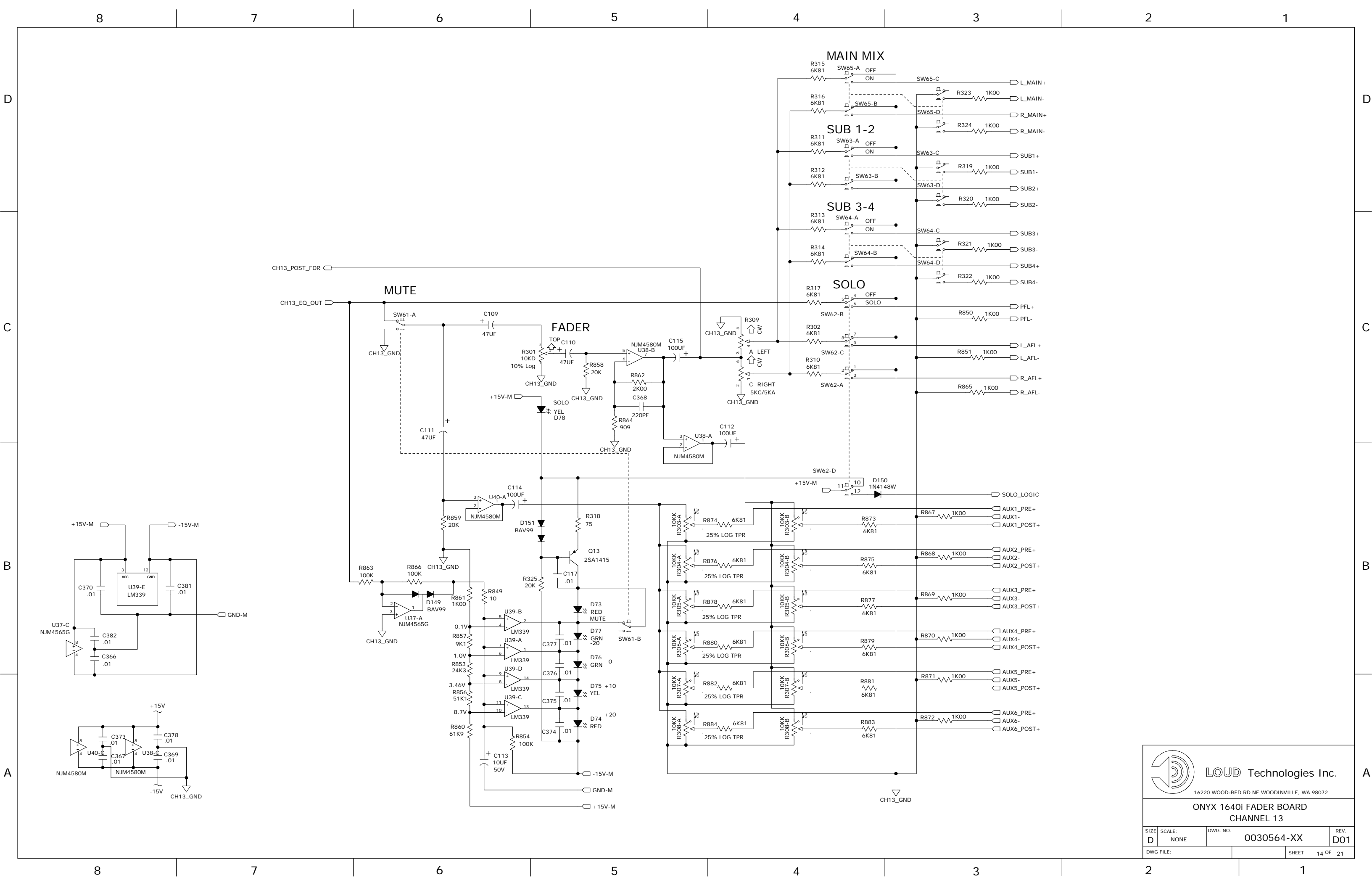




**LOUD Technologies Inc.**  
16220 WOOD-RED RD NE WOODINVILLE, WA 98072

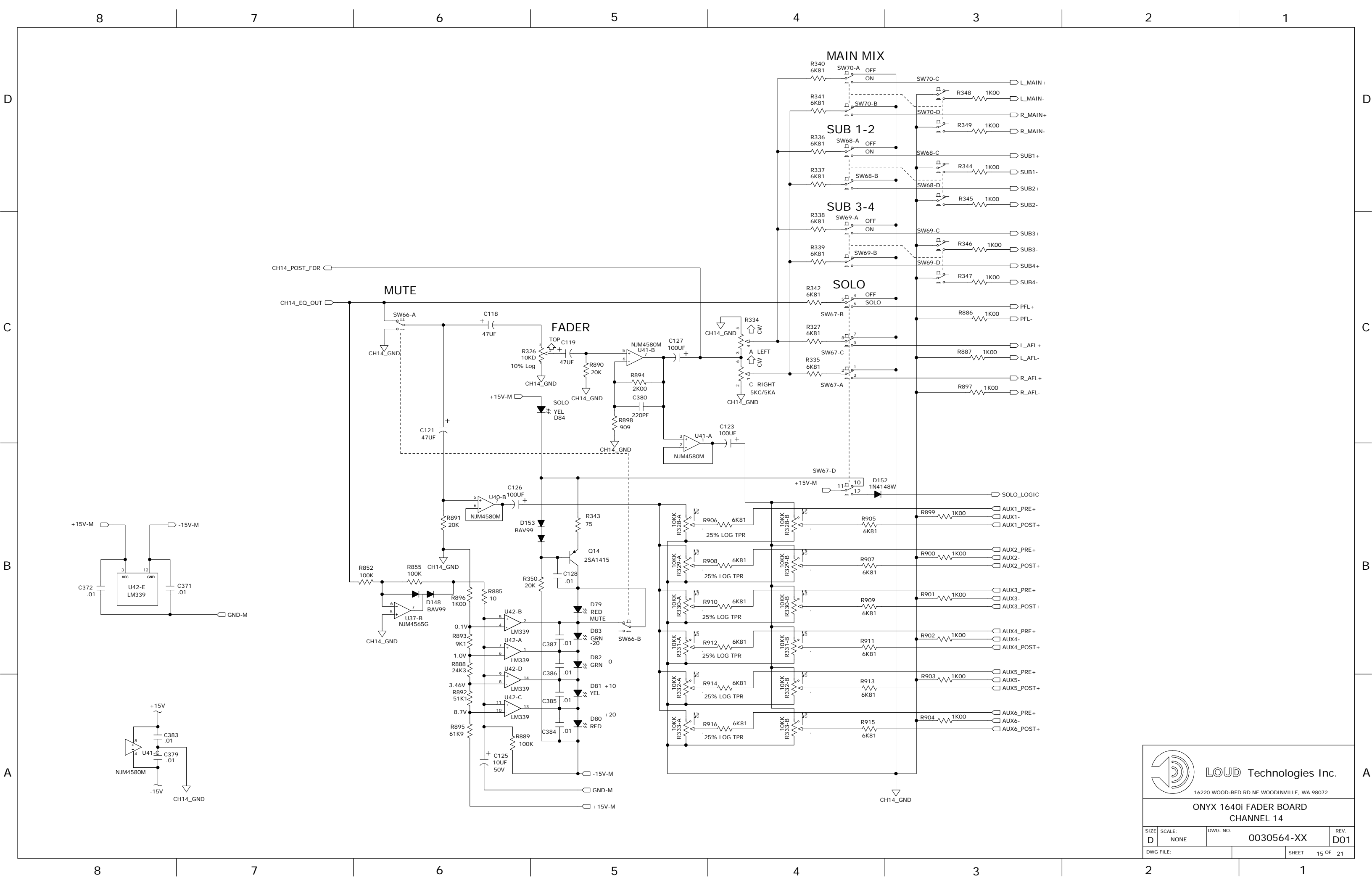
**ONYX 1640i FADER BOARD  
CHANNEL 12**

SIZE: D	SCALE: NONE	DWG. NO.: 0030564-XX	REV. NO.: D01
DWG. FILE:		SHEET 13 OF 21	



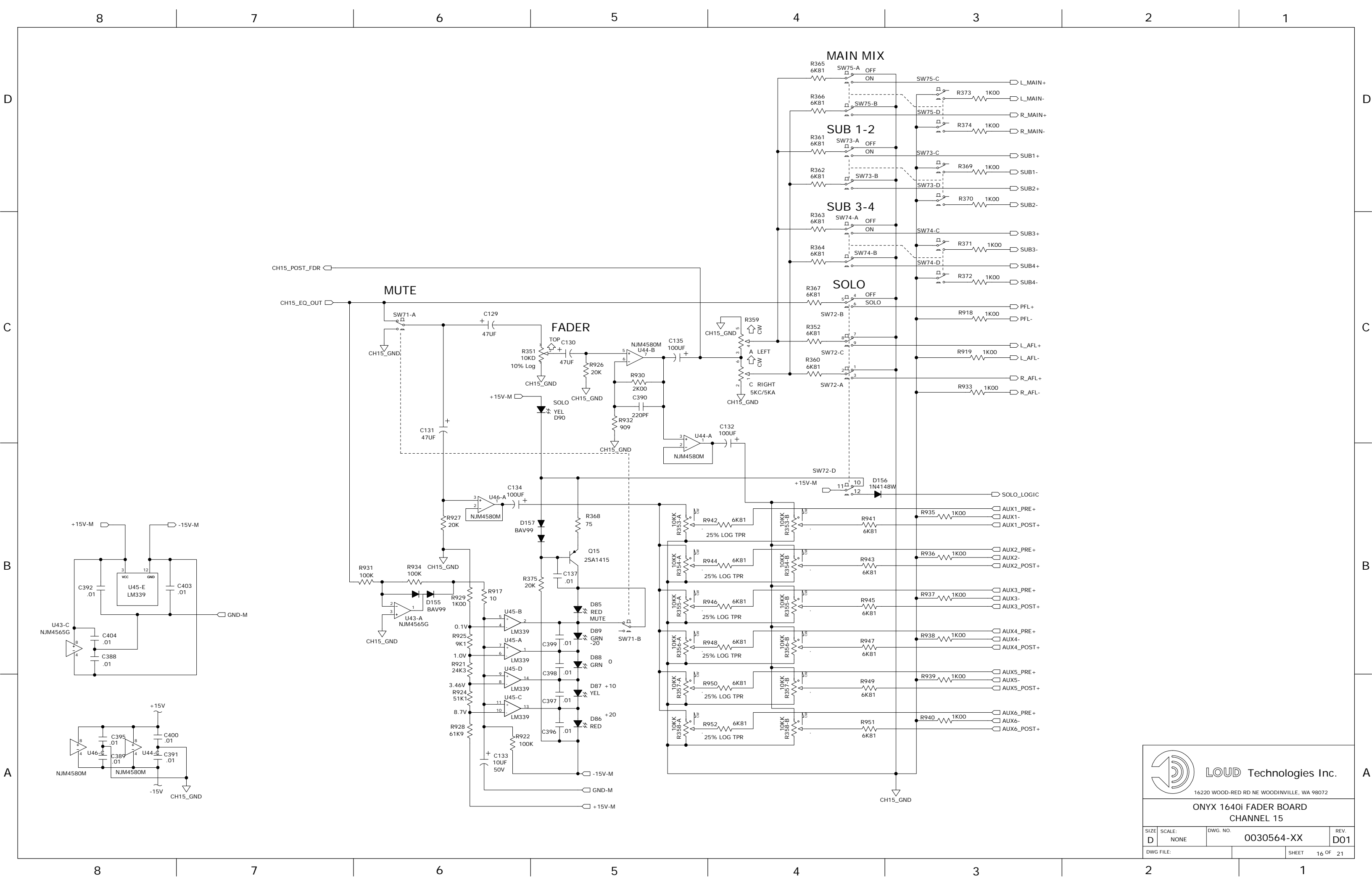
**ONYX 1640i FADER BOARD  
CHANNEL 13**

SIZE: D	SCALE: NONE	DWG. NO.: 0030564-XX	REV. D01
DWG. FILE:		SHEET 14 OF 21	



**ONYX 1640i FADER BOARD  
CHANNEL 14**

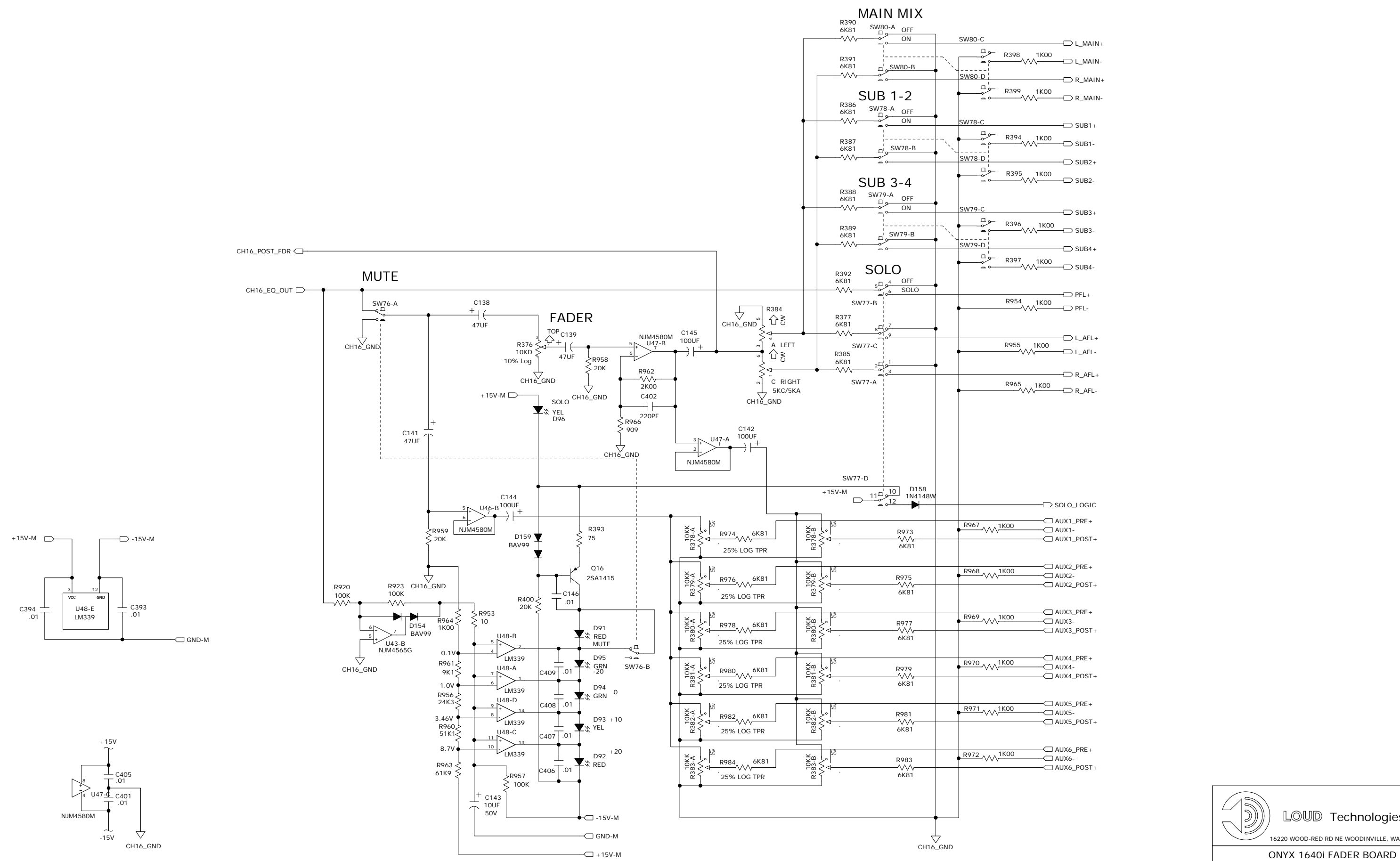
SIZE: D	SCALE: NONE	DWG. NO.: 0030564-XX	REV. NO.: D01
DWG. FILE:		SHEET 15 OF 21	




**ONYX 1640i FADER BOARD  
CHANNEL 15**

SIZE: D	SCALE: NONE	DWG. NO.: 0030564-XX	REV. D01
DWG. FILE:		SHEET 16 OF 21	



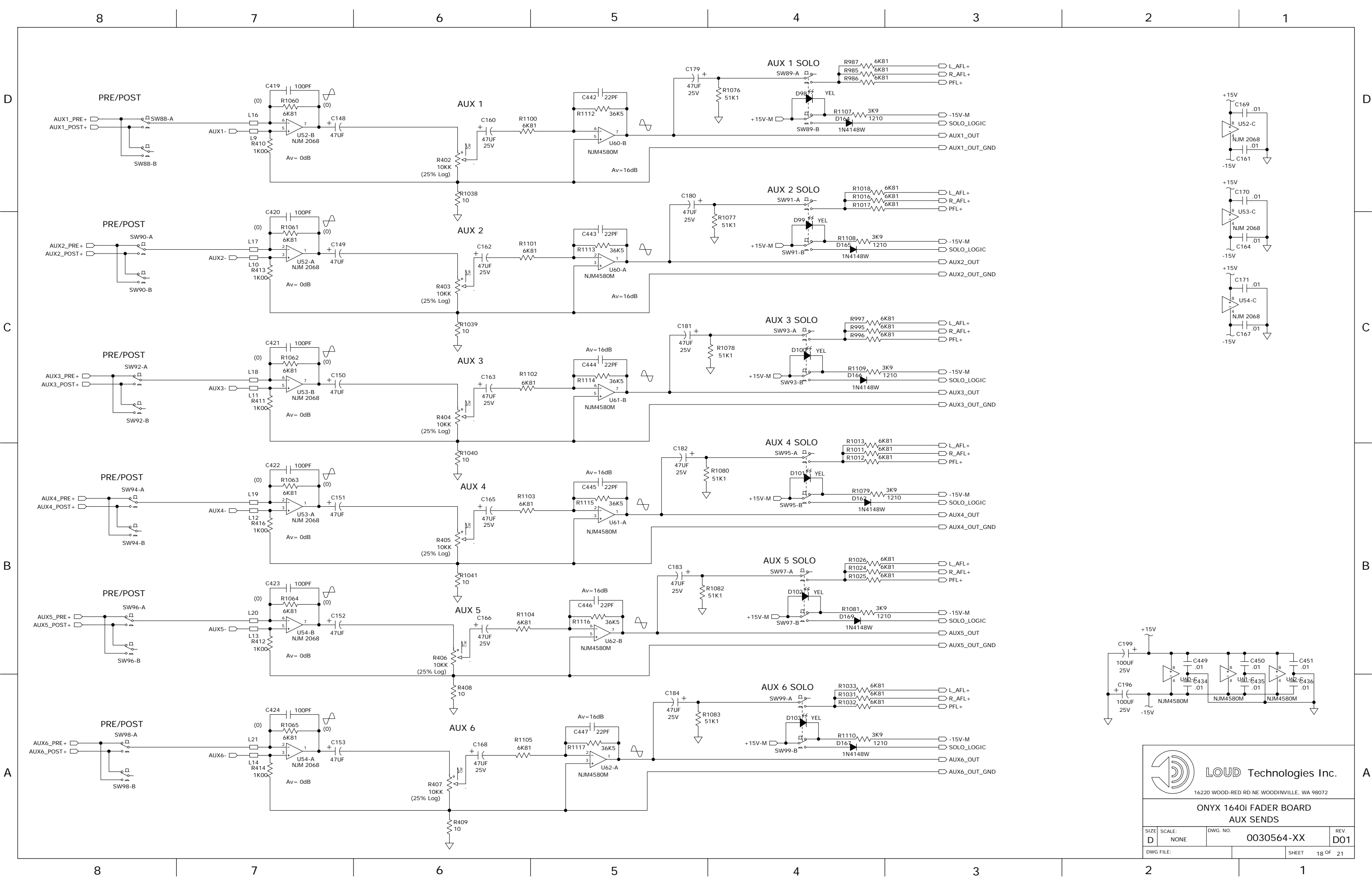




**LOUD Technologies Inc.**  
16220 WOOD-RED RD NE WOODINVILLE, WA 98072

**ONYX 1640i FADER BOARD  
CHANNEL 16**

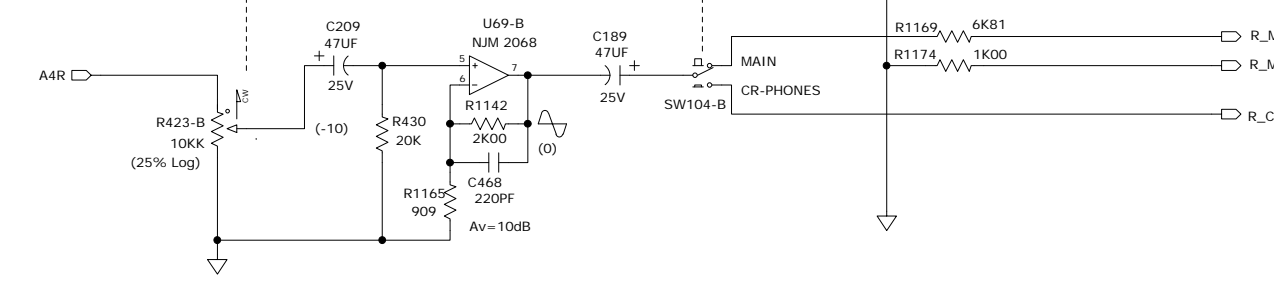
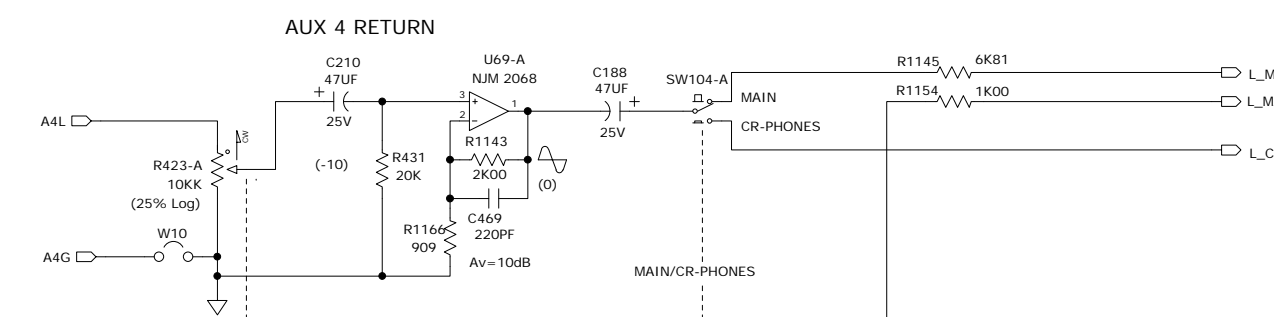
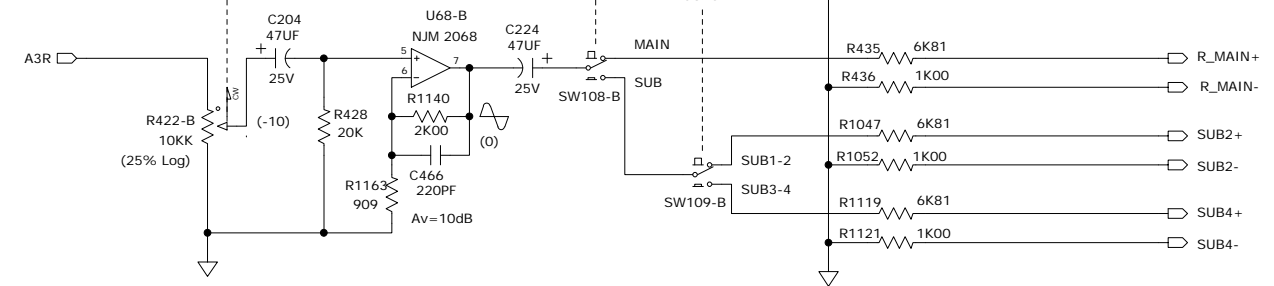
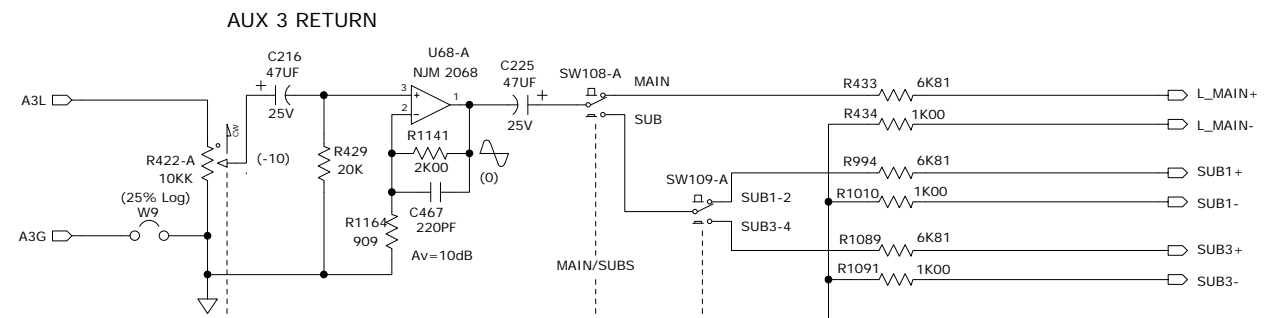
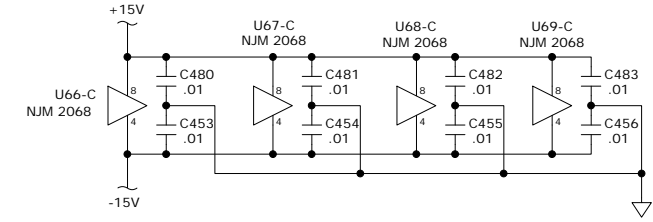
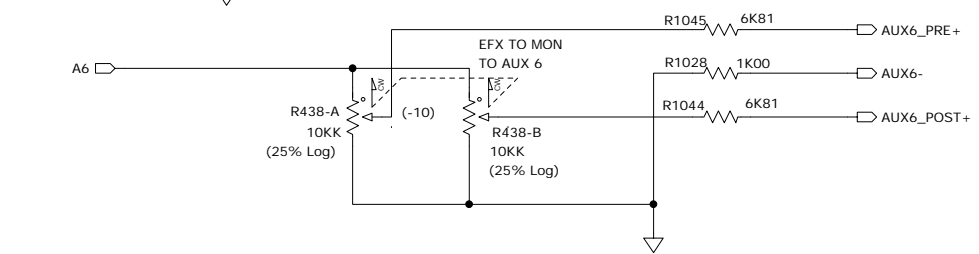
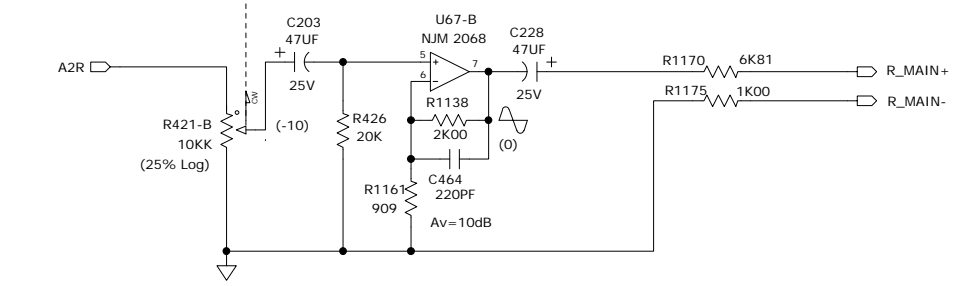
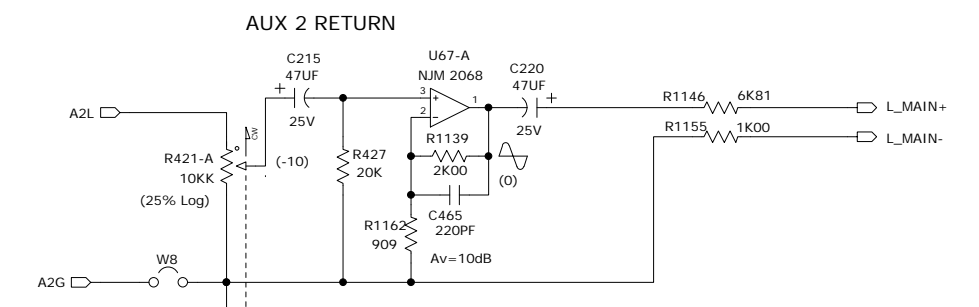
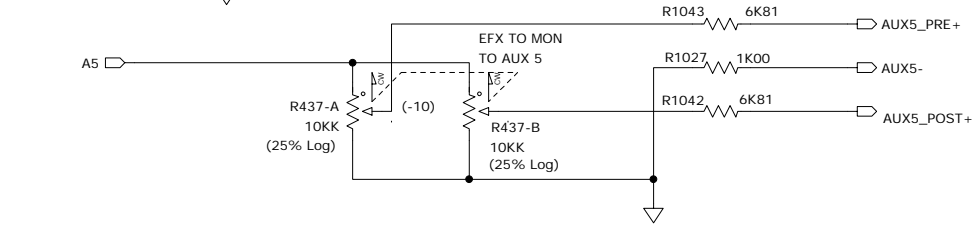
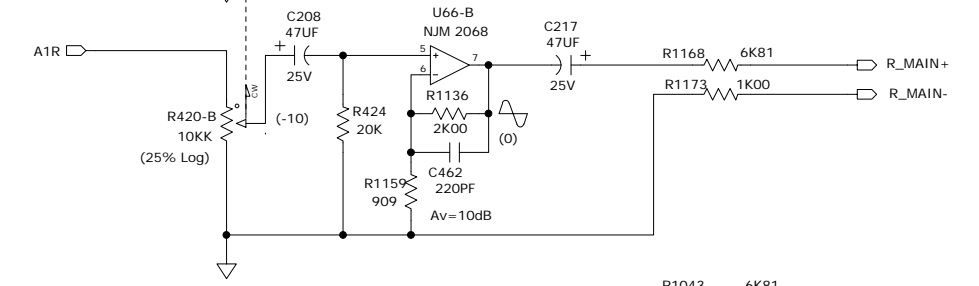
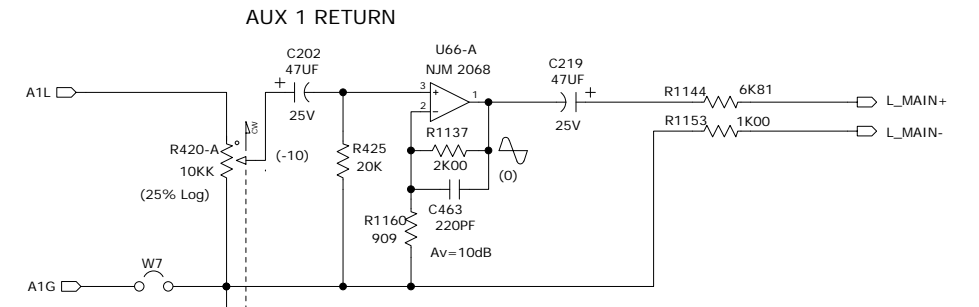
SIZE: D	SCALE: NONE	DWG. NO.: 0030564-XX	REV. D01
DWG. FILE:		SHEET 17 OF 21	



**ONYX 1640i FADER BOARD  
AUX SENDS**

SIZE: D	SCALE: NONE	DWG. NO.: 0030564-XX	REV. D01
DWG. FILE:		SHEET 18 OF 21	

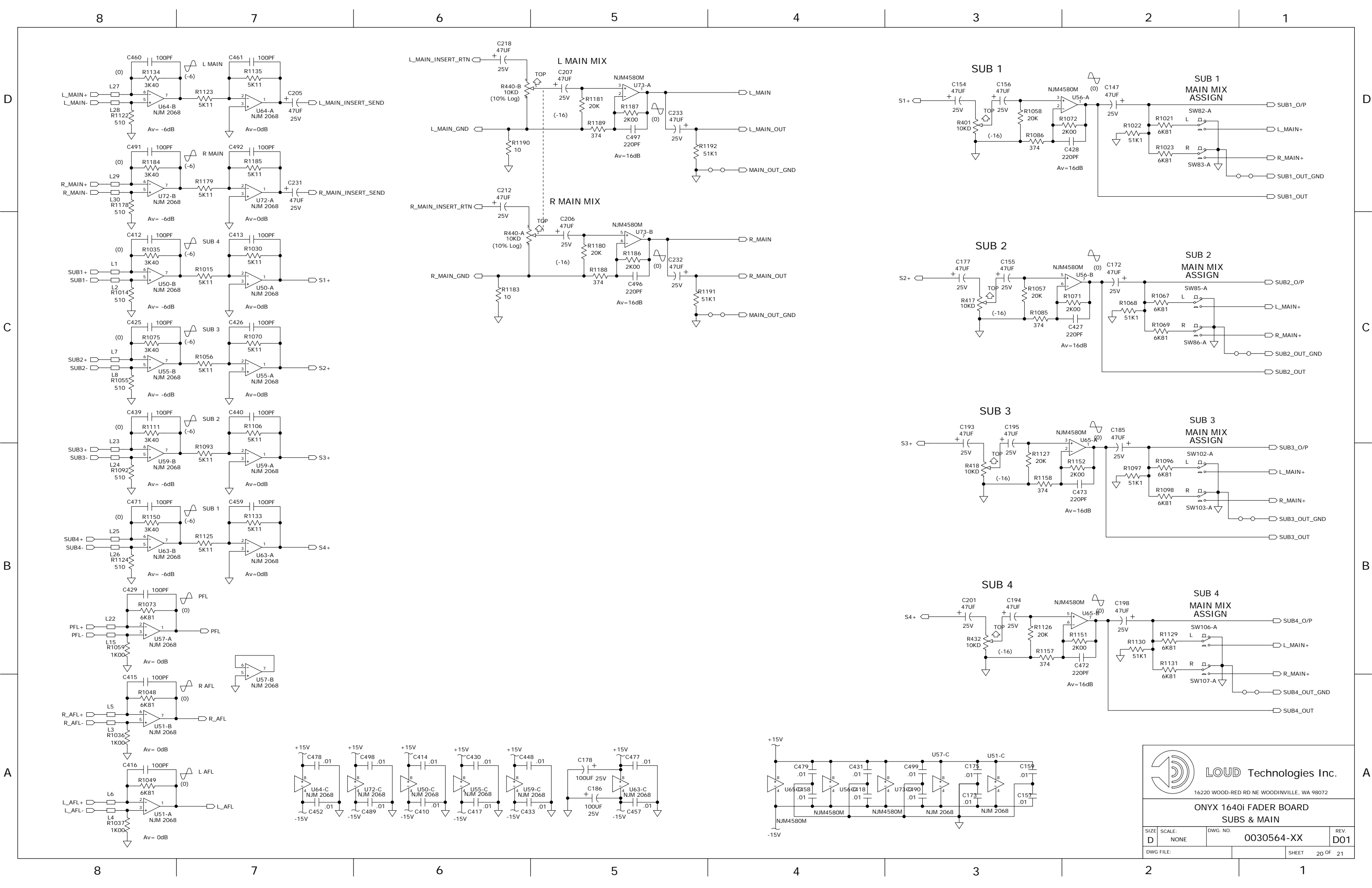
D



**LOUD Technologies Inc.**  
16220 WOOD-RED RD NE WOODINVILLE, WA 98072

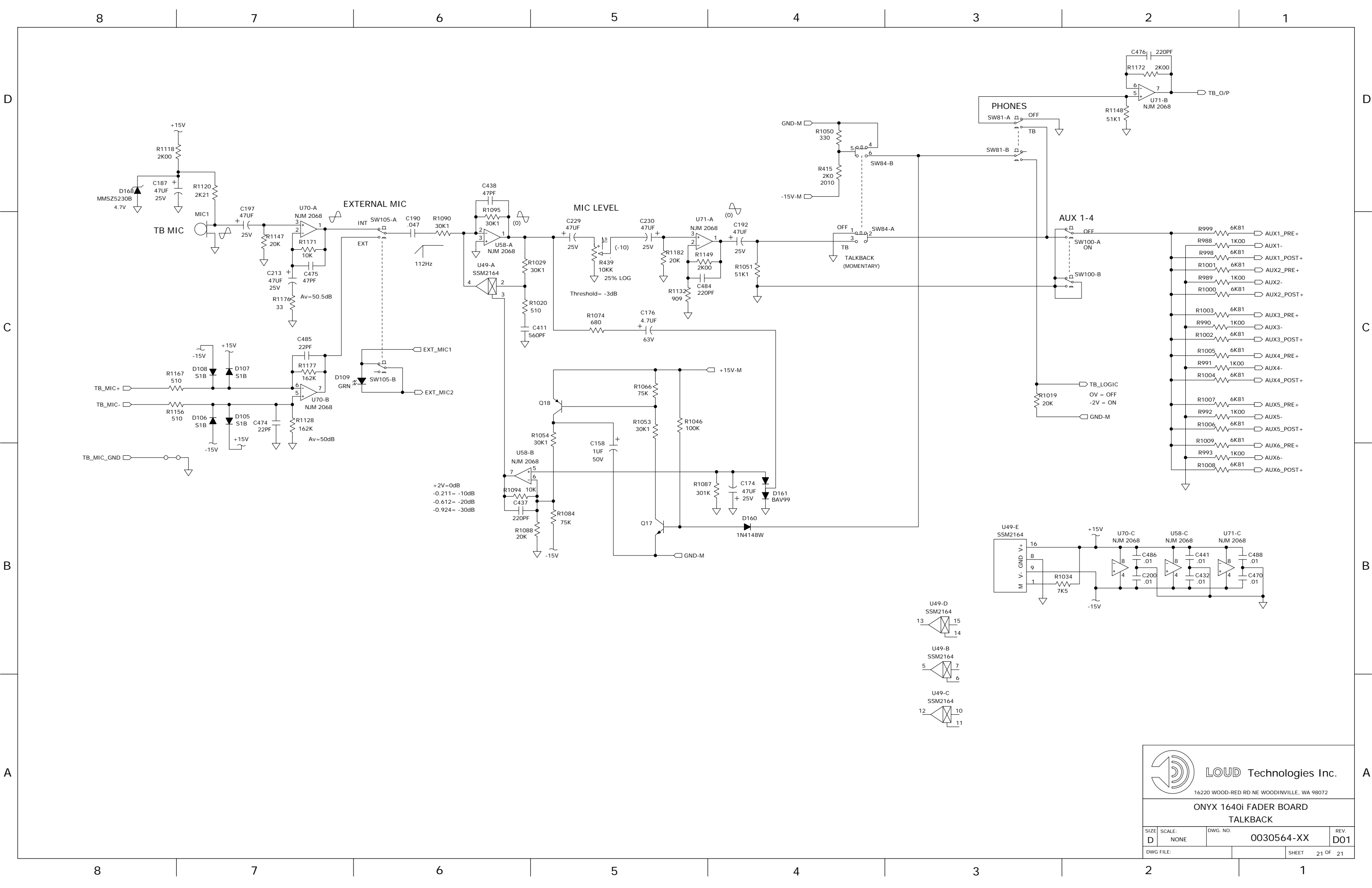
**ONYX 1640i FADER BOARD  
AUX RETURNS**

SIZE: D	SCALE: NONE	DWG. NO.: 0030564-XX	REV. D01
DWG. FILE:		SHEET 19 OF 21	



ONYX 1640i FADER BOARD  
SUBS & MAIN

SIZE: D	SCALE: NONE	DWG. NO.: 0030564-XX	REV. D01
DWG. FILE:		SHEET 20 OF 21	



8

7

6

5

4

3

2

1

D

D

C

C

B

B

A

A

8

7

6


5

4

3

2

1



**LOUD Technologies Inc.**  
16220 WOOD-RED RD NE WOODINVILLE, WA 98072

**ONYX 1640i FADER BOARD  
TALKBACK**

SIZE: D	SCALE: NONE	DWG. NO.: 0030564-XX	REV. D01
DWG. FILE:		SHEET 21 OF 21	