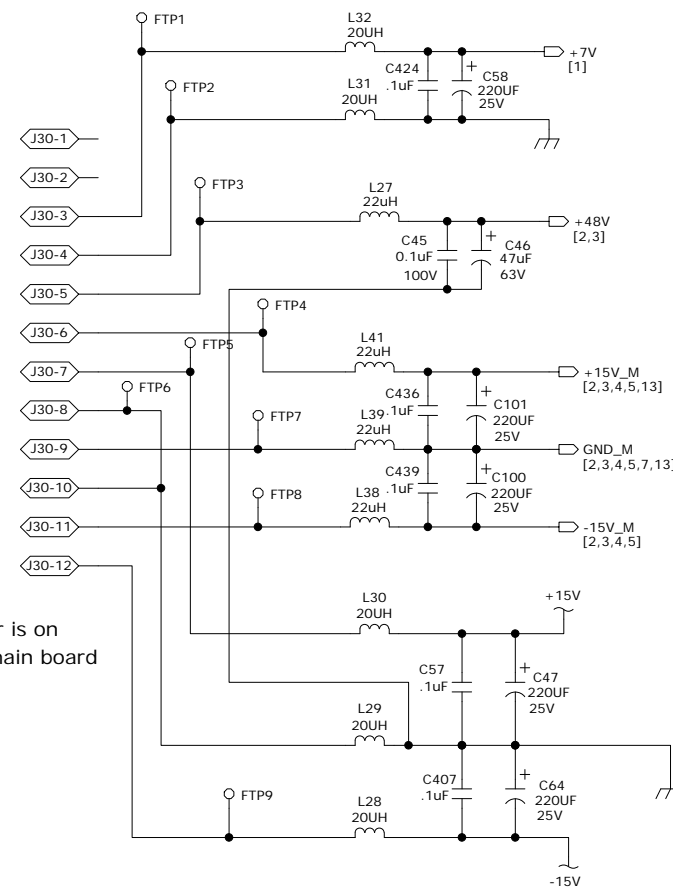
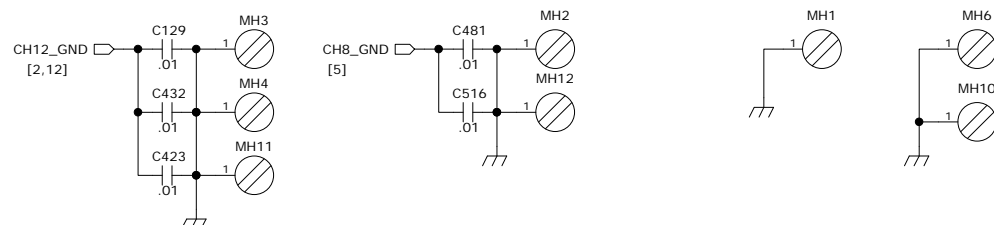


POWER SUPPLY CONNECTOR

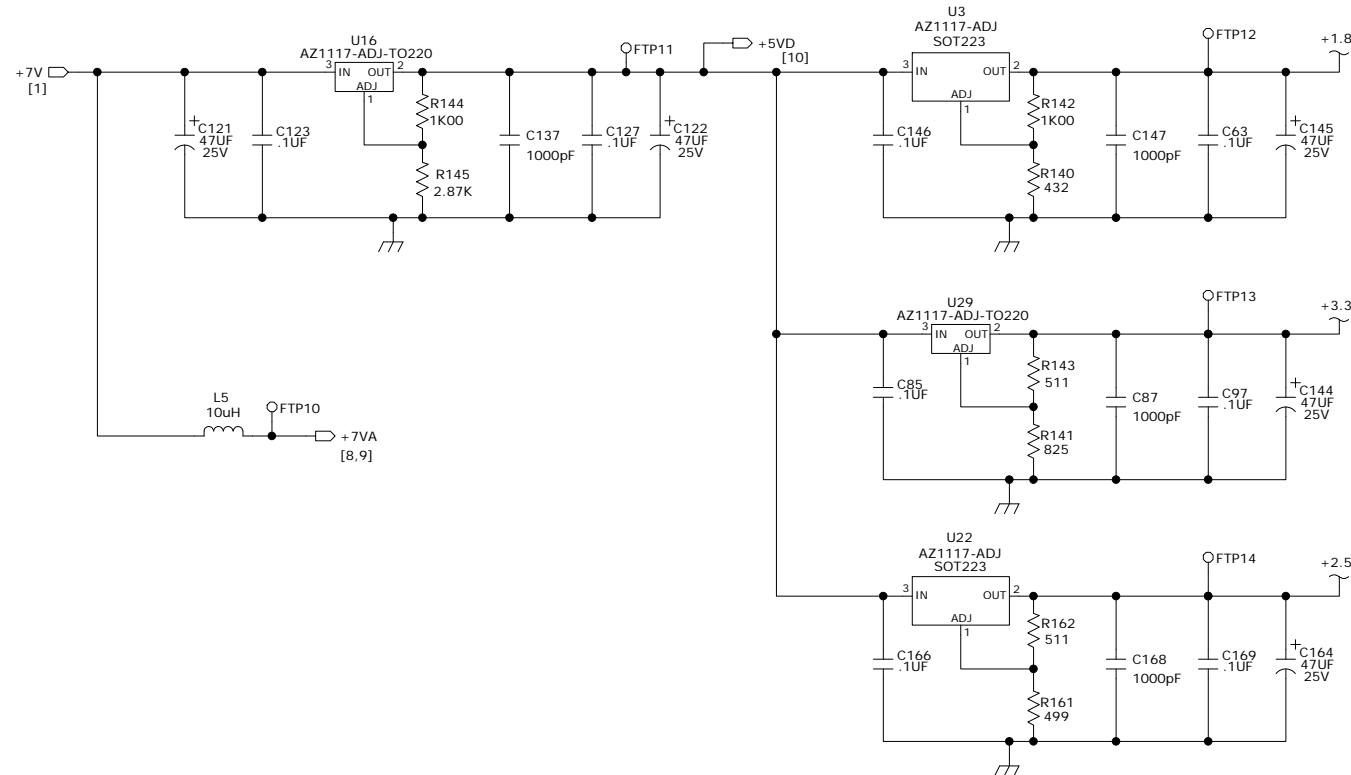


Power supply connector is on the upper part of the main board

NOTE: DGND and AGND connect to CHGND via layer 2 copper shorts



Voltage Regulators



- BTN1 0008793-23
SM RECTANGLE BUTTON 5X7mm CONTROL GREY "GUITAR" (SYMBOL)
- BTN2 0008793-23
SM RECTANGLE BUTTON 5X7mm CONTROL GREY "GUITAR" (SYMBOL)
- BTN3 0008793-09
SM RECTANGLE BUTTON 5X7mm CONTROL GREY "LOW CUT" (SYMBOL)
- BTN4 0008793-09
SM RECTANGLE BUTTON 5X7mm CONTROL GREY "LOW CUT" (SYMBOL)
- BTN5 0008793-06
SM RECTANGLE BUTTON 5X7mm CONTROL GREY "48V"
- BTN6 0008793-06
SM RECTANGLE BUTTON 5X7mm CONTROL GREY "48V"
- BTN7 0008793-03
SM RECTANGLE BUTTON 5X7mm CONTROL GREY
- BTN8 0008793-03
SM RECTANGLE BUTTON 5X7mm CONTROL GREY
- BTN9 0008793-03
SM RECTANGLE BUTTON 5X7mm CONTROL GREY

Z100 730-038-00
JET MELT 3M 3779-Q

FW1 SW0854
FIRMWARE BLACKBIRD DICE MINI FLASH APPLICATION

PCB1 2034355-01
PCB FAB BLACKBIRD MAIN

DOC1 D01146
TEST ENGINEERING STATION PCBA BLACKBIRD

SCH1 2034354-XX
SCHEMATIC PCB ASSY BLACKBIRD MAIN

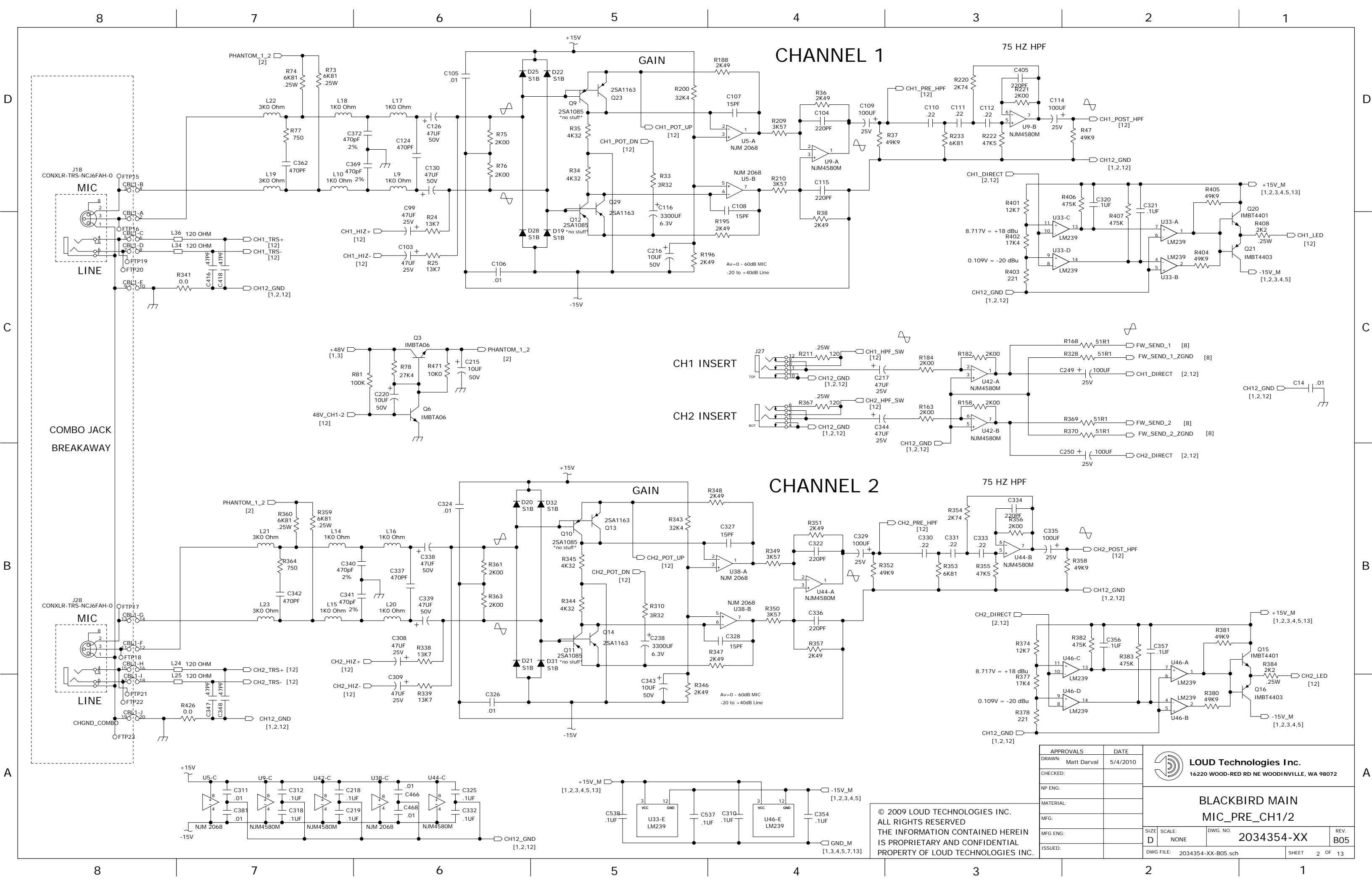
APPROVALS	DATE
DRAWN: Matt Darval	5/4/2010
CHECKED:	
NP ENG:	
MATERIAL:	
MFG:	
MFG ENG:	
ISSUED:	

LOUD Technologies Inc.
16220 WOOD-RED RD NE WOODINVILLE, WA 98072

BLACKBIRD MAIN POWER/CONN

SIZE: D	SCALE: NONE	DWG. NO.: 2034354-XX	REV. B05
DWG FILE: 2034354-XX-B05.sch		SHEET 1 OF 13	

© 2009 LOUD TECHNOLOGIES INC.
ALL RIGHTS RESERVED
THE INFORMATION CONTAINED HEREIN
IS PROPRIETARY AND CONFIDENTIAL
PROPERTY OF LOUD TECHNOLOGIES INC.



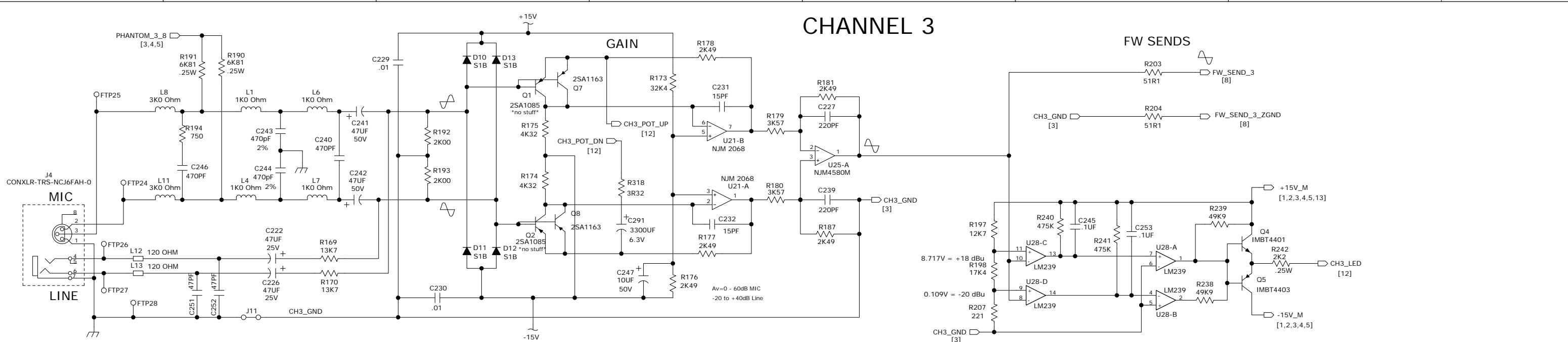
APPROVALS	DATE
DRAWN: Matt Darval	5/4/2010
CHECKED:	
NP ENG:	
MATERIAL:	
MFG:	
MFG ENG:	
ISSUED:	

LOUD Technologies Inc.
 16220 WOOD-RED RD NE WOODINVILLE, WA 98072

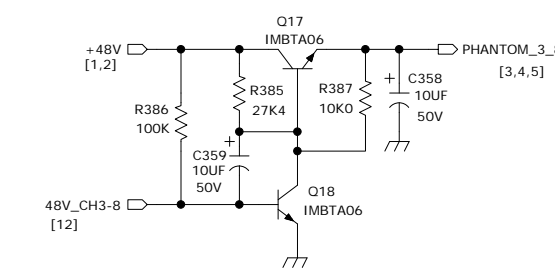
BLACKBIRD MAIN		DWG. NO.	REV.
SIZE	SCALE: NONE	2034354-XX	B05
DWG FILE: 2034354-XX-B05.sch		SHEET 2 OF 13	

© 2009 LOUD TECHNOLOGIES INC.
 ALL RIGHTS RESERVED
 THE INFORMATION CONTAINED HEREIN
 IS PROPRIETARY AND CONFIDENTIAL
 PROPERTY OF LOUD TECHNOLOGIES INC.

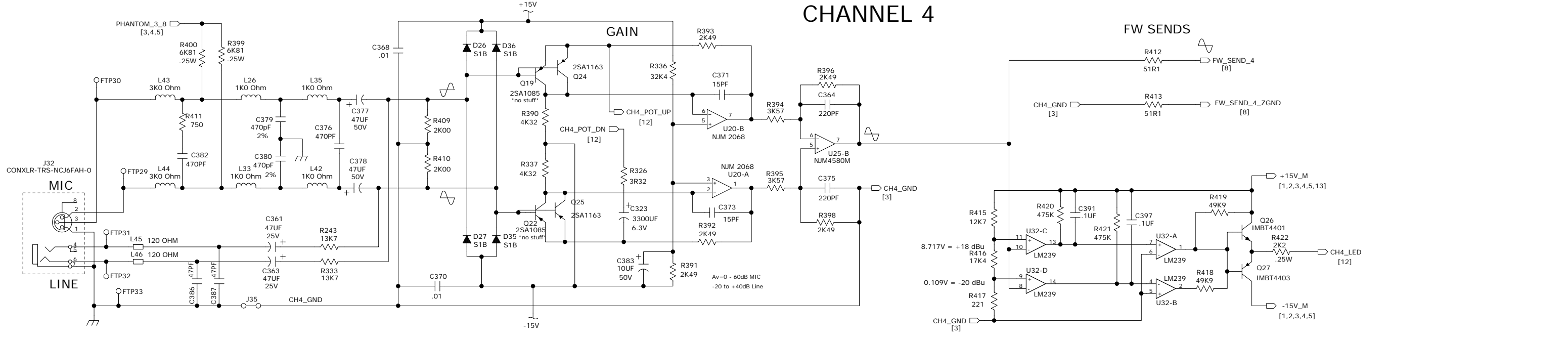
D



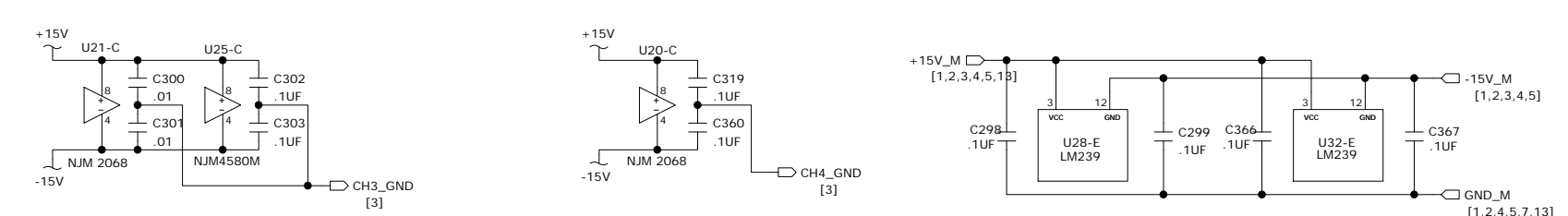
C



B

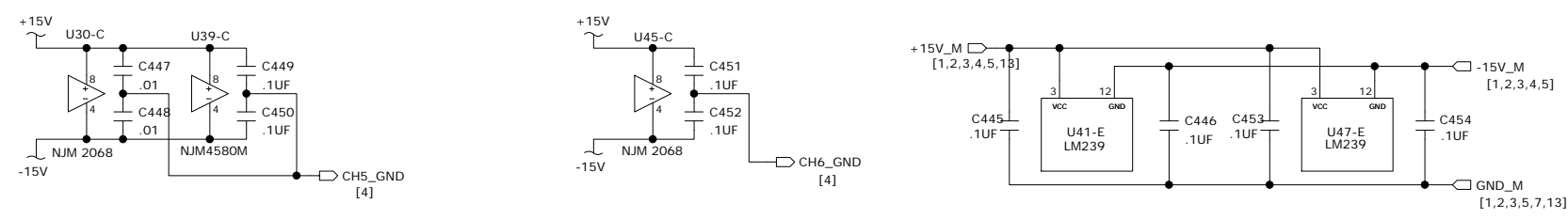
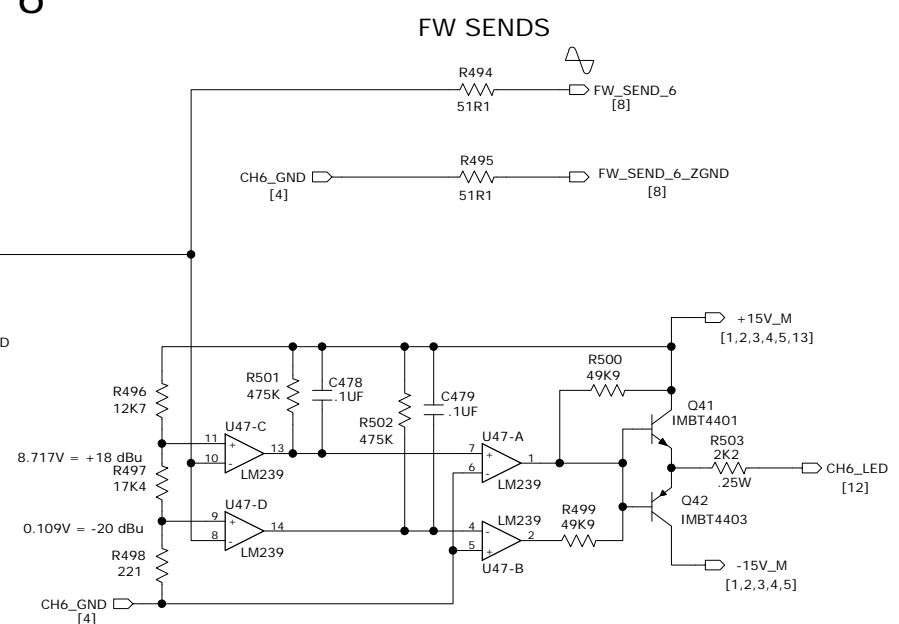
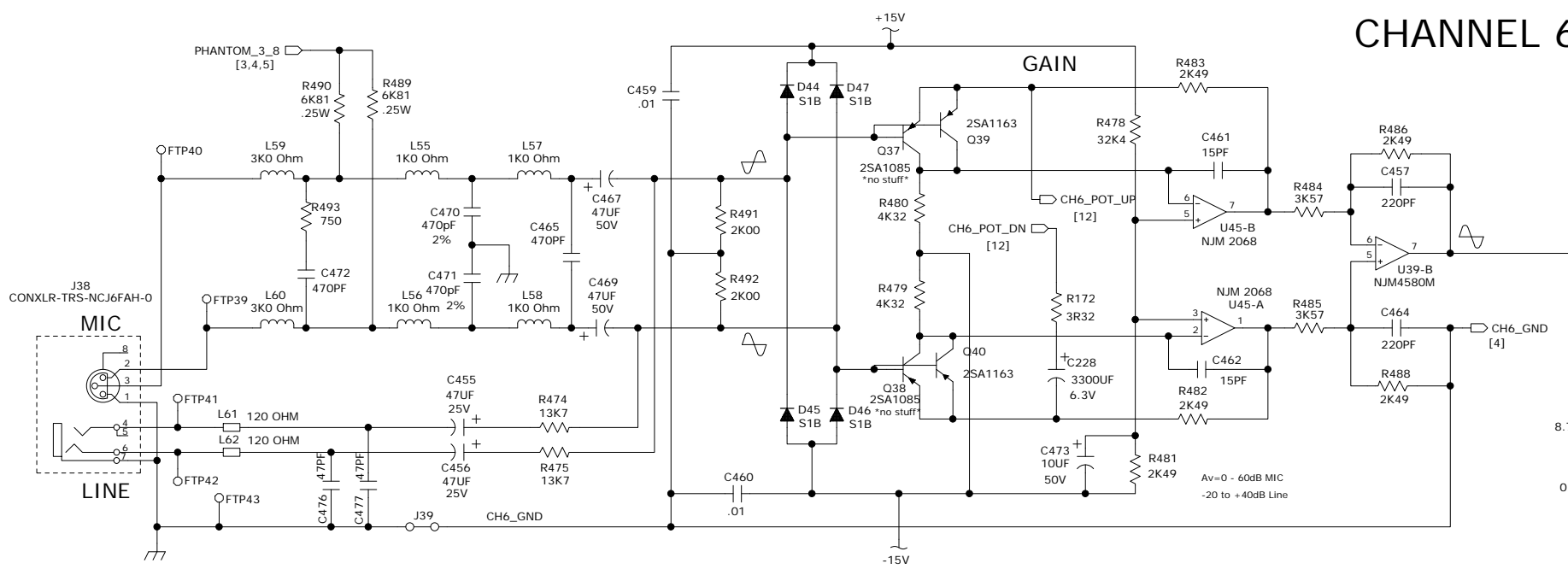
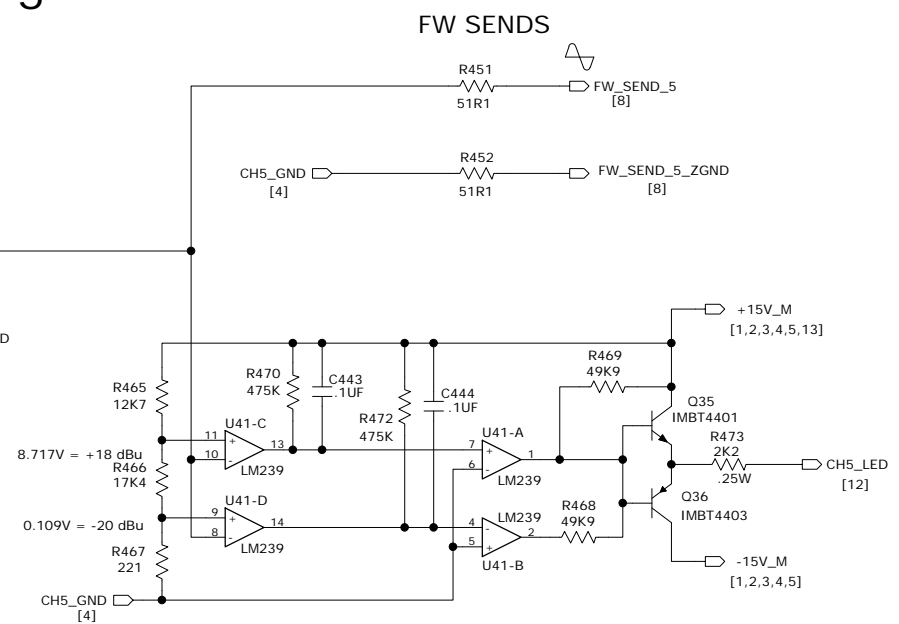
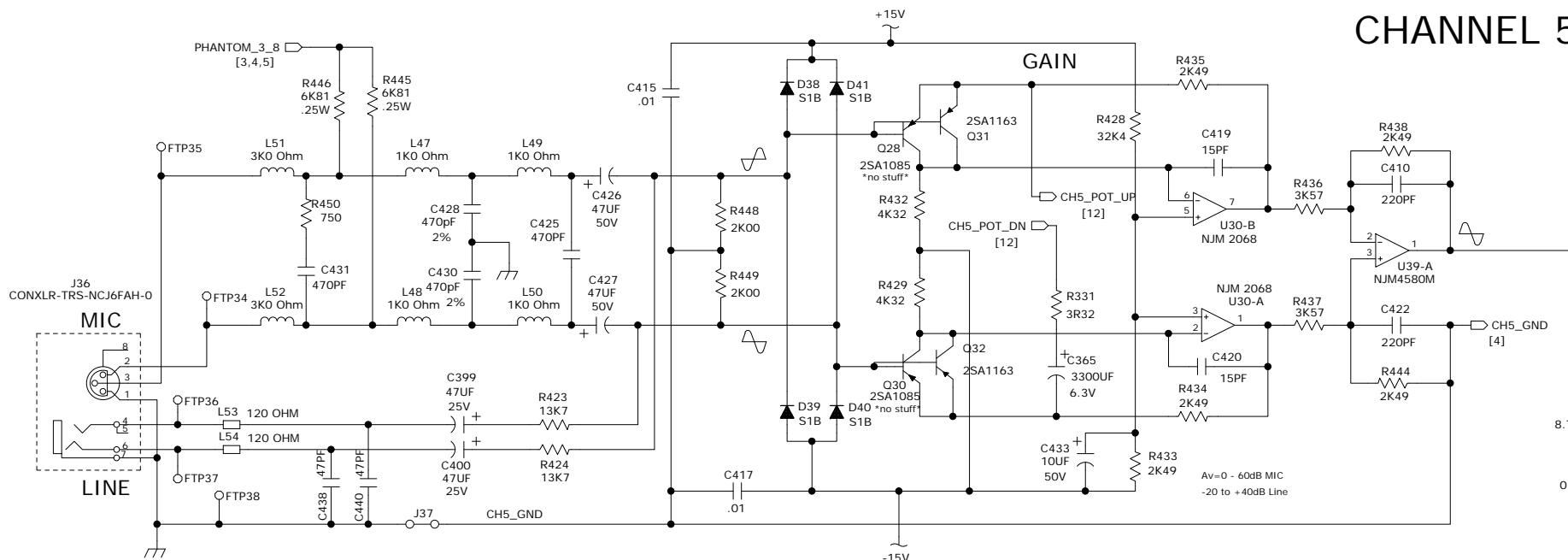


A



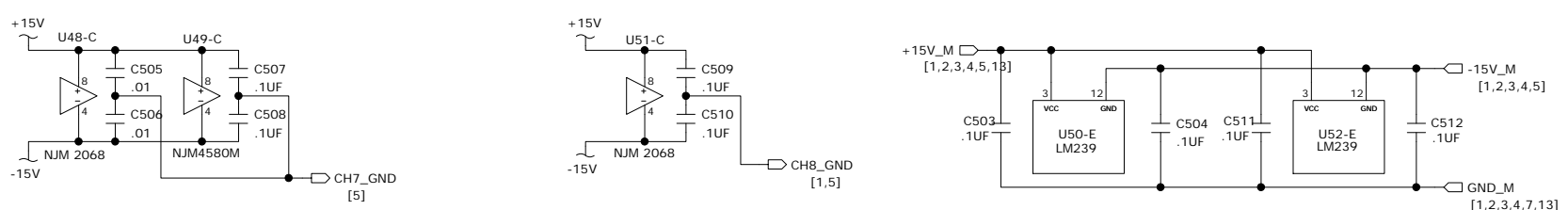
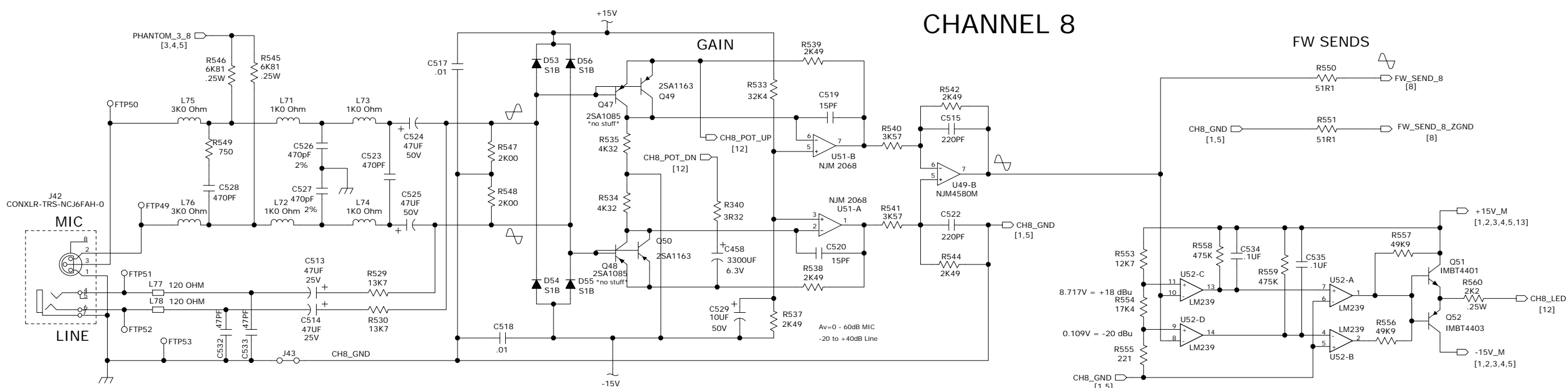
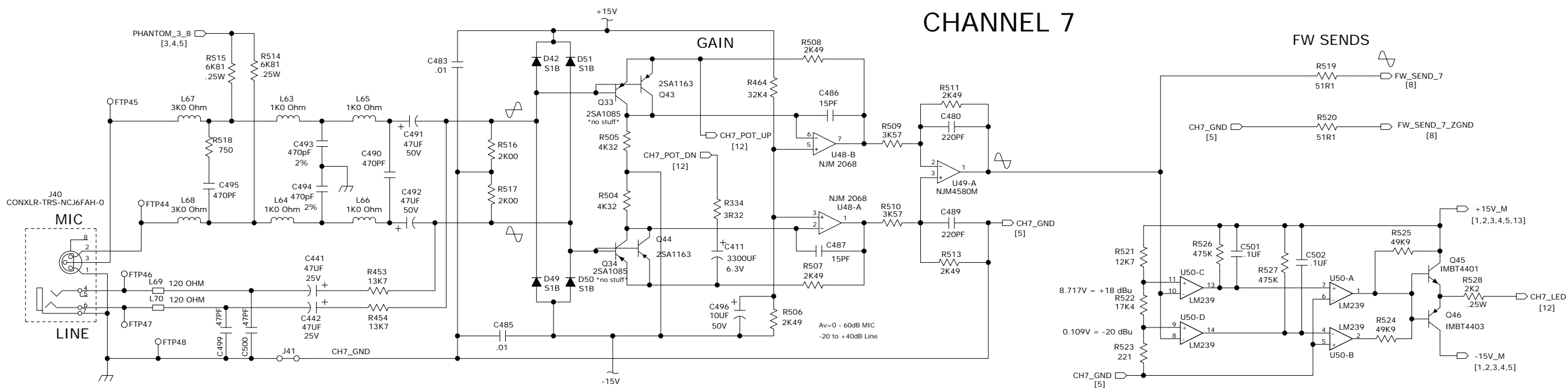
© 2009 LOUD TECHNOLOGIES INC.
 ALL RIGHTS RESERVED
 THE INFORMATION CONTAINED HEREIN
 IS PROPRIETARY AND CONFIDENTIAL
 PROPERTY OF LOUD TECHNOLOGIES INC.

APPROVALS	DATE	LOUD Technologies Inc.			
DRAWN: Matt Darval	5/4/2010	16220 WOOD-RED RD NE WOODINVILLE, WA 98072			
CHECKED:		BLACKBIRD MAIN MIC_PRE_CH3/4			
NP ENG:					
MATERIAL:					
MFG:					
MFG ENG:		SIZE: D	SCALE: NONE	DWG. NO. 2034354-XX	REV. B05
ISSUED:		DWG FILE: 2034354-XX-B05.sch		SHEET 3 OF 13	



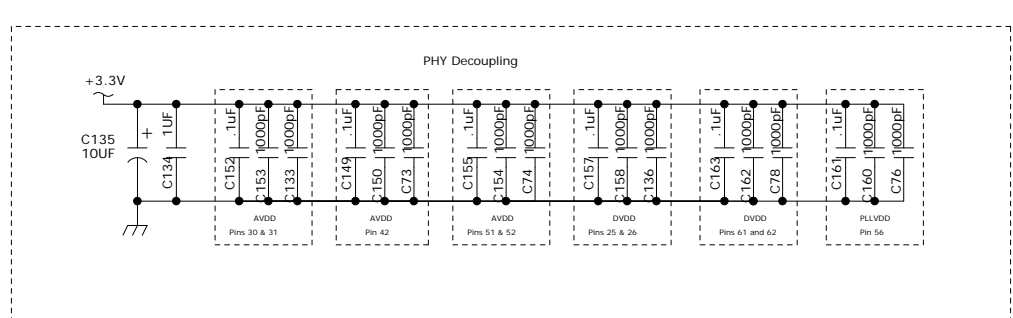
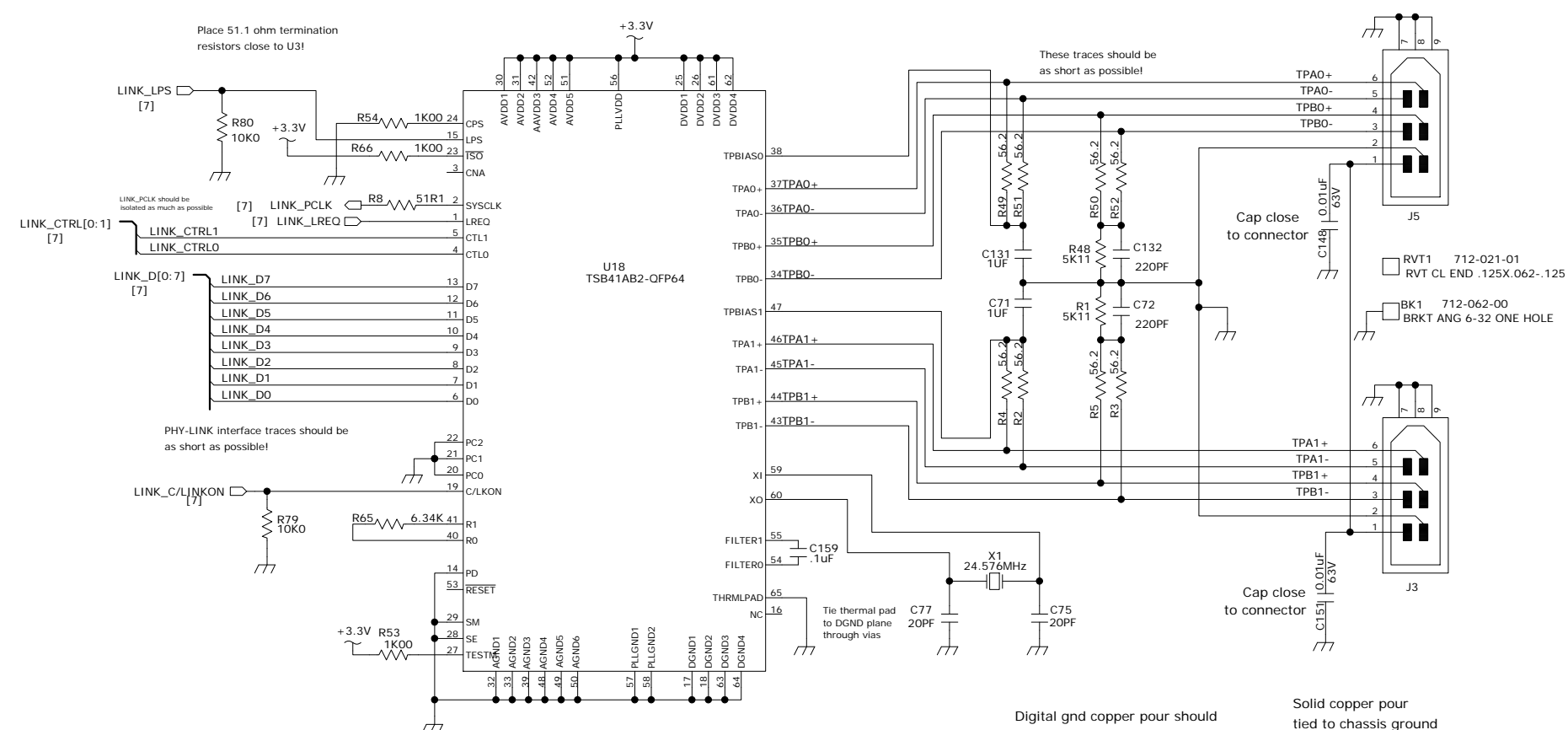
APPROVALS	DATE	LOUD Technologies Inc.	
DRAWN: Matt Darval	5/4/2010	16220 WOOD-RED RD NE WOODINVILLE, WA 98072	
CHECKED:		BLACKBIRD MAIN MIC_PRE_CH5/6	
NP ENG:			
MATERIAL:		SIZE: D	SCALE: NONE
MFG:		DWG. NO. 2034354-XX	REV. B05
MFG ENG:		DWG FILE: 2034354-XX-B05.sch	
ISSUED:		SHEET 4 OF 13	


© 2009 LOUD TECHNOLOGIES INC.
 ALL RIGHTS RESERVED
 THE INFORMATION CONTAINED HEREIN
 IS PROPRIETARY AND CONFIDENTIAL
 PROPERTY OF LOUD TECHNOLOGIES INC.



APPROVALS	DATE	LOUD Technologies Inc.	
DRAWN: Matt Darval	5/4/2010	16220 WOOD-RED RD NE WOODINVILLE, WA 98072	
CHECKED:		BLACKBIRD MAIN MIC_PRE_CH7/8	
NP ENG:			
MATERIAL:		SIZE: D	SCALE: NONE
MFG:		DWG. NO. 2034354-XX	REV. B05
MFG ENG:		DWG FILE: 2034354-XX-B05.sch	SHEET 5 OF 13
ISSUED:			

© 2009 LOUD TECHNOLOGIES INC.
 ALL RIGHTS RESERVED
 THE INFORMATION CONTAINED HEREIN
 IS PROPRIETARY AND CONFIDENTIAL
 PROPERTY OF LOUD TECHNOLOGIES INC.



APPROVALS	DATE	 LOUD Technologies Inc. 16220 WOOD-RED RD NE WOODINVILLE, WA 98072
DRAWN: Matt Darval	5/4/2010	
CHECKED:		
NP ENG:		
MATERIAL:		
MFG:		
MFG ENG:		BLACKBIRD MAIN PHY
ISSUED:		
© 2009 LOUD TECHNOLOGIES INC. ALL RIGHTS RESERVED THE INFORMATION CONTAINED HEREIN IS PROPRIETARY AND CONFIDENTIAL PROPERTY OF LOUD TECHNOLOGIES INC.		SIZE: D SCALE: NONE DWG. NO.: 2034354-XX REV. B05
DWG FILE: 2034354-XX-B05.sch		SHEET 6 OF 13

D

D

C

C

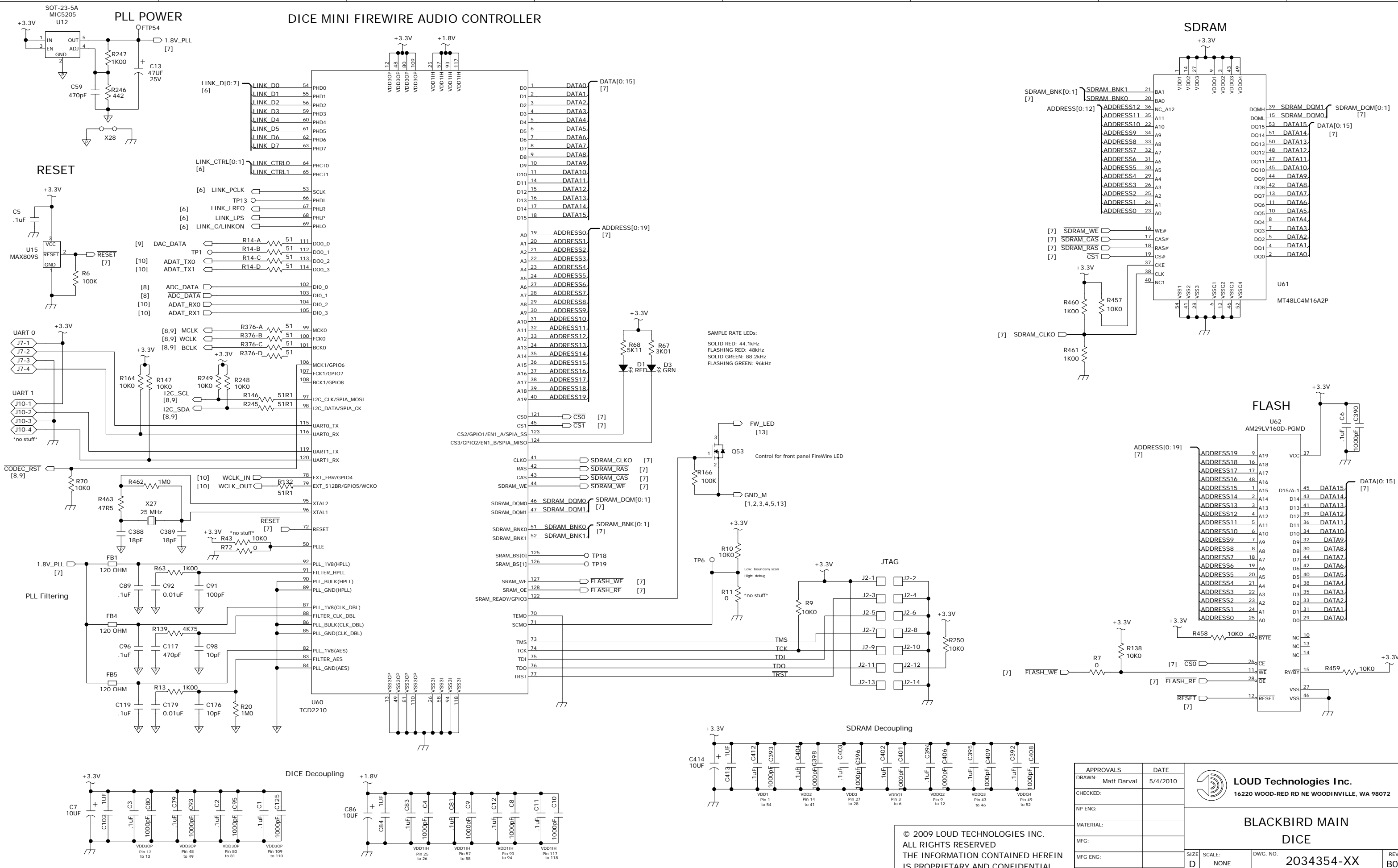
B

B

A

A

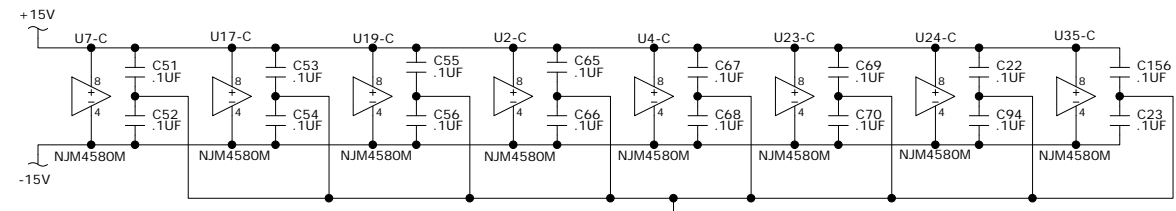
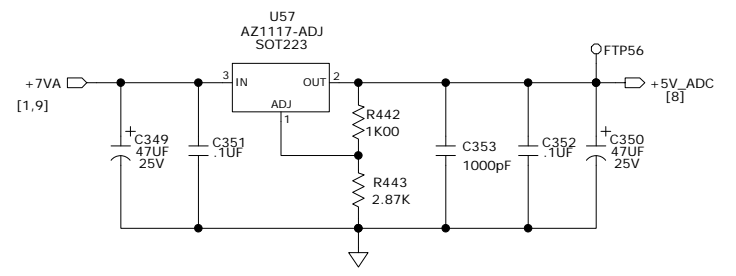
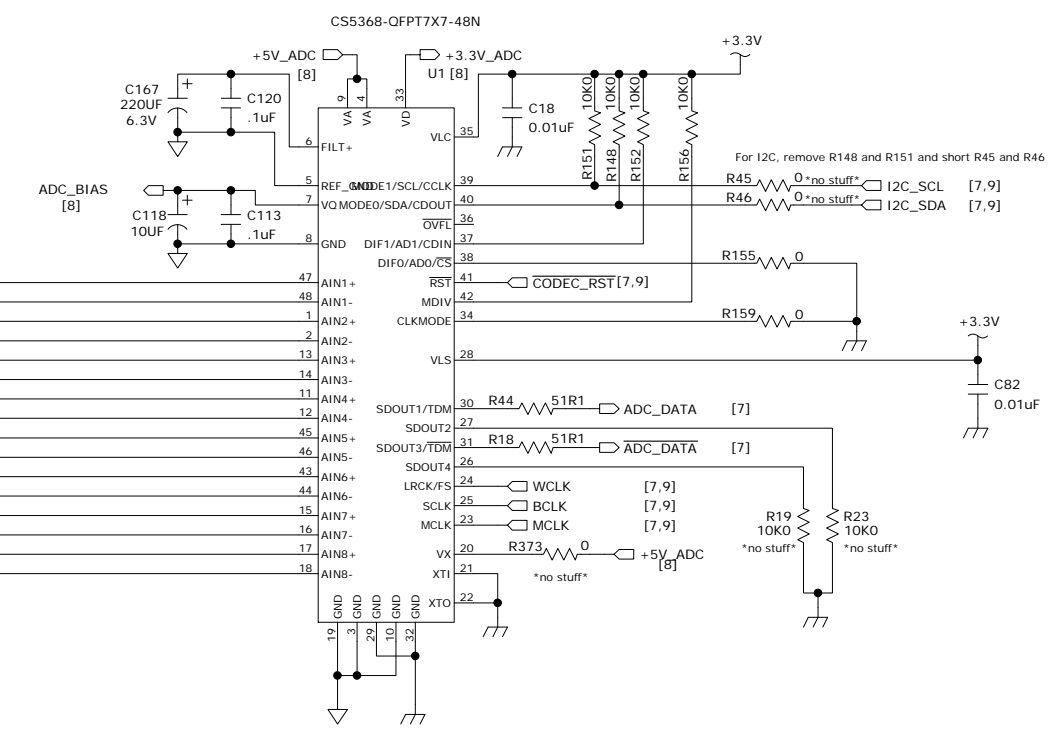
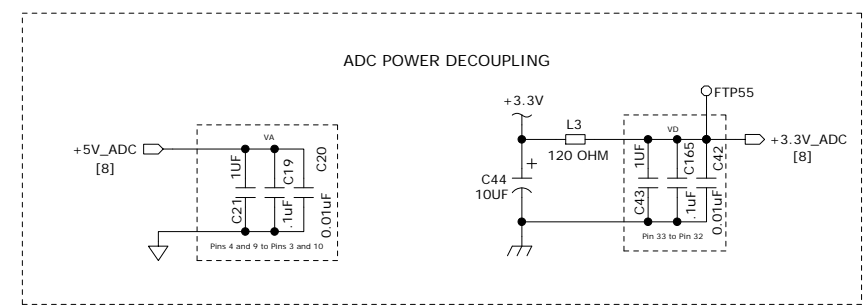
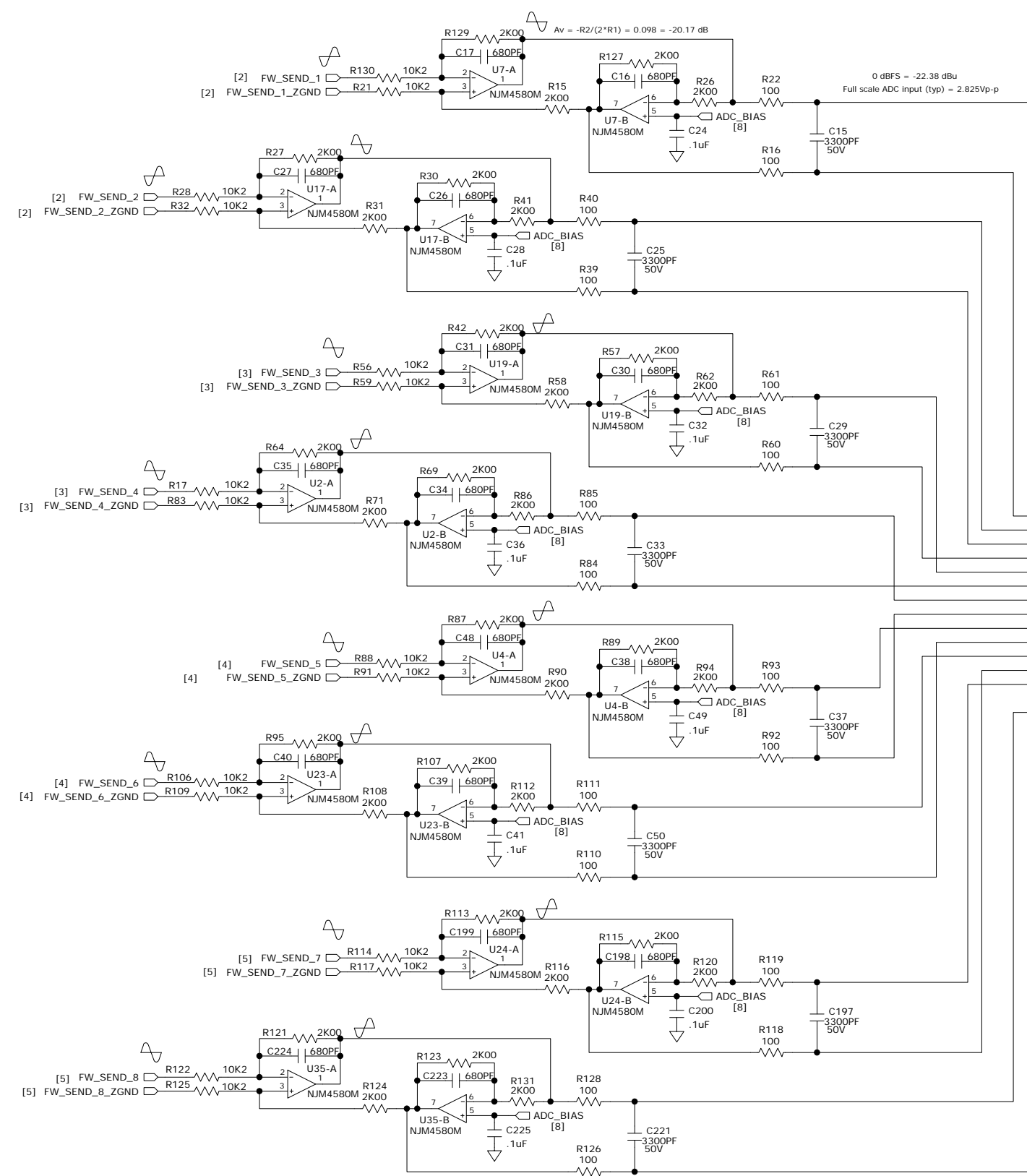
DICE MINI FIREWIRE AUDIO CONTROLLER



SAMPLE RATE LEADS:
 SOLID RED: 44.1kHz
 FLASHING RED: 48kHz
 SOLID GREEN: 88.2kHz
 FLASHING GREEN: 96kHz

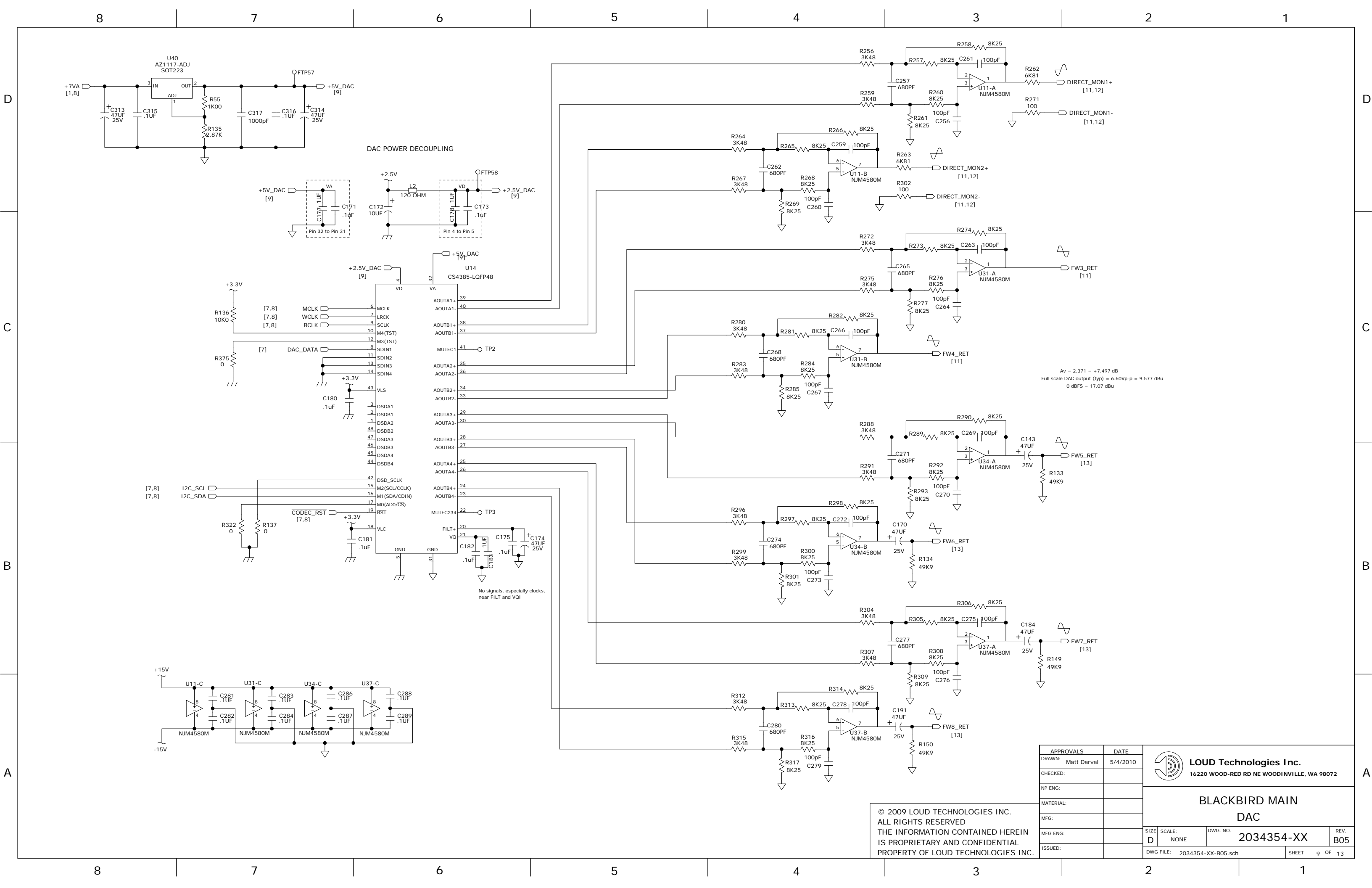
APPROVALS	DATE	LOUD Technologies Inc.	
DRAWN: Matt Darval	5/4/2010	16220 WOOD-RED RD NE WOODINVILLE, WA 98072	
CHECKED:		BLACKBIRD MAIN DICE	
NP ENG:			
MATERIAL:		SIZE: D	SCALE: NONE
MFG:		DWG. NO. 2034354-XX	REV. B05
MFG ENG:		DWG FILE: 2034354-XX-B05.sch	SHEET 7 OF 13
ISSUED:			

© 2009 LOUD TECHNOLOGIES INC.
 ALL RIGHTS RESERVED
 THE INFORMATION CONTAINED HEREIN IS PROPRIETARY AND CONFIDENTIAL PROPERTY OF LOUD TECHNOLOGIES INC.



APPROVALS	DATE	 LOUD Technologies Inc. 16220 WOOD-RED RD NE WOODINVILLE, WA 98072
DRAWN: Matt Darval	5/4/2010	
CHECKED:		BLACKBIRD MAIN ADC
NP ENG:		
MATERIAL:		SIZE: D SCALE: NONE DWG. NO.: 2034354-XX REV. B05
MFG:		DWG FILE: 2034354-XX-B05.sch SHEET 8 OF 13
MFG ENG:		
ISSUED:		

© 2009 LOUD TECHNOLOGIES INC.
 ALL RIGHTS RESERVED
 THE INFORMATION CONTAINED HEREIN
 IS PROPRIETARY AND CONFIDENTIAL
 PROPERTY OF LOUD TECHNOLOGIES INC.



APPROVALS		DATE
DRAWN:	Matt Darval	5/4/2010
CHECKED:		
NP ENG:		
MATERIAL:		
MFG:		
MFG ENG:		
ISSUED:		

LOUD Technologies Inc.
16220 WOOD-RED RD NE WOODINVILLE, WA 98072

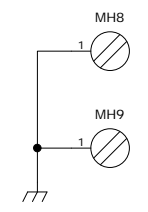
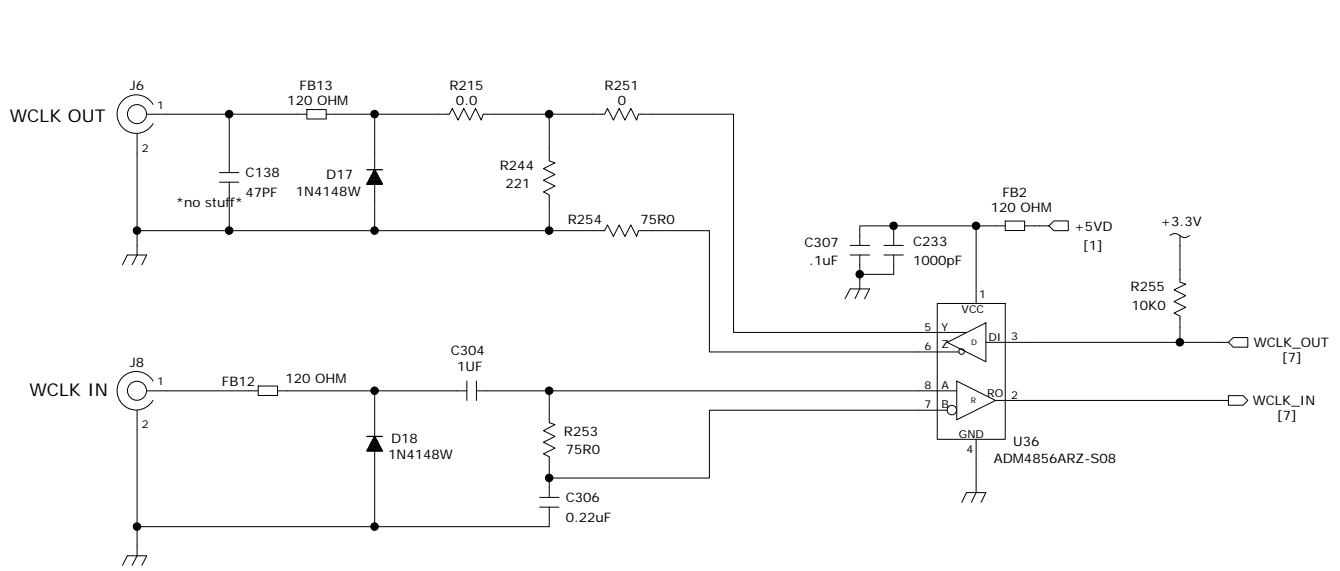
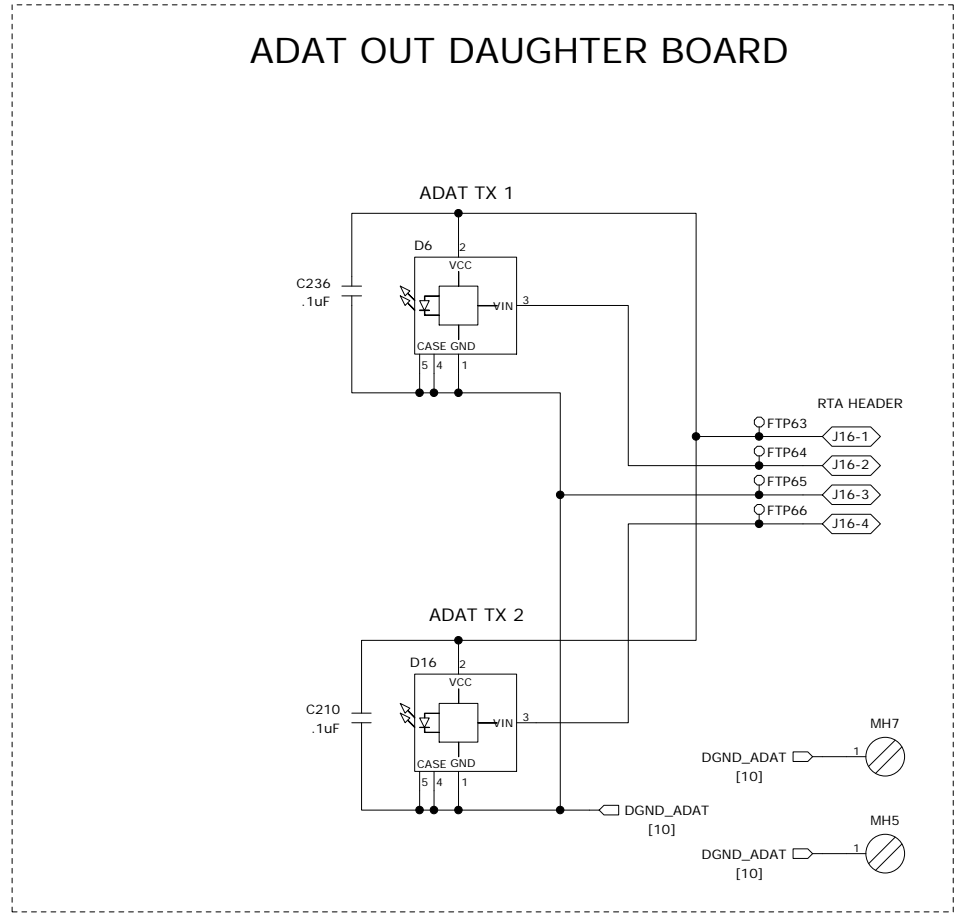
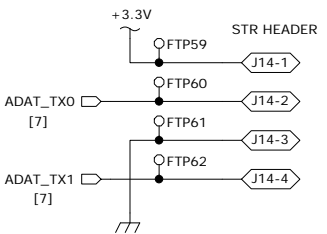
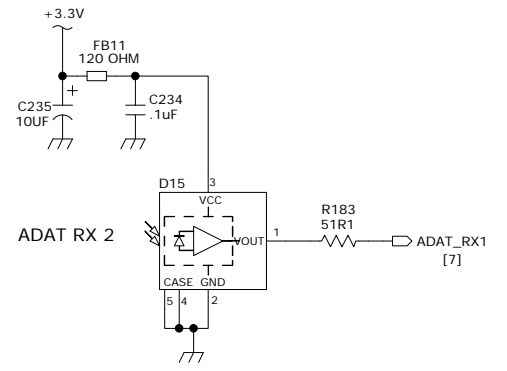
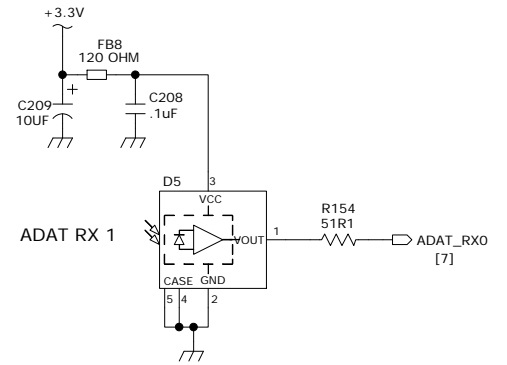
BLACKBIRD MAIN

DAC

SIZE	SCALE:	DWG. NO.	REV.
D	NONE	2034354-XX	B05
DWG. FILE: 2034354-XX-B05.sch		SHEET 9 of 13	

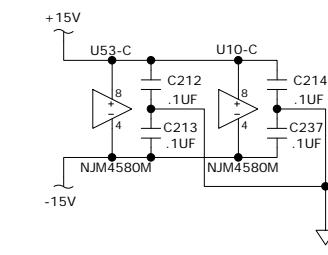
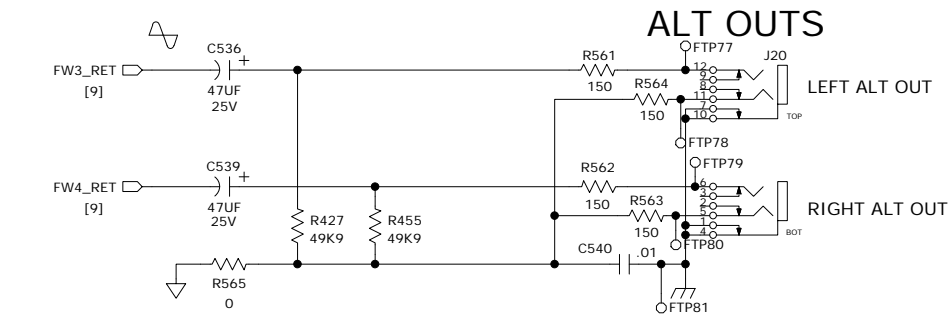
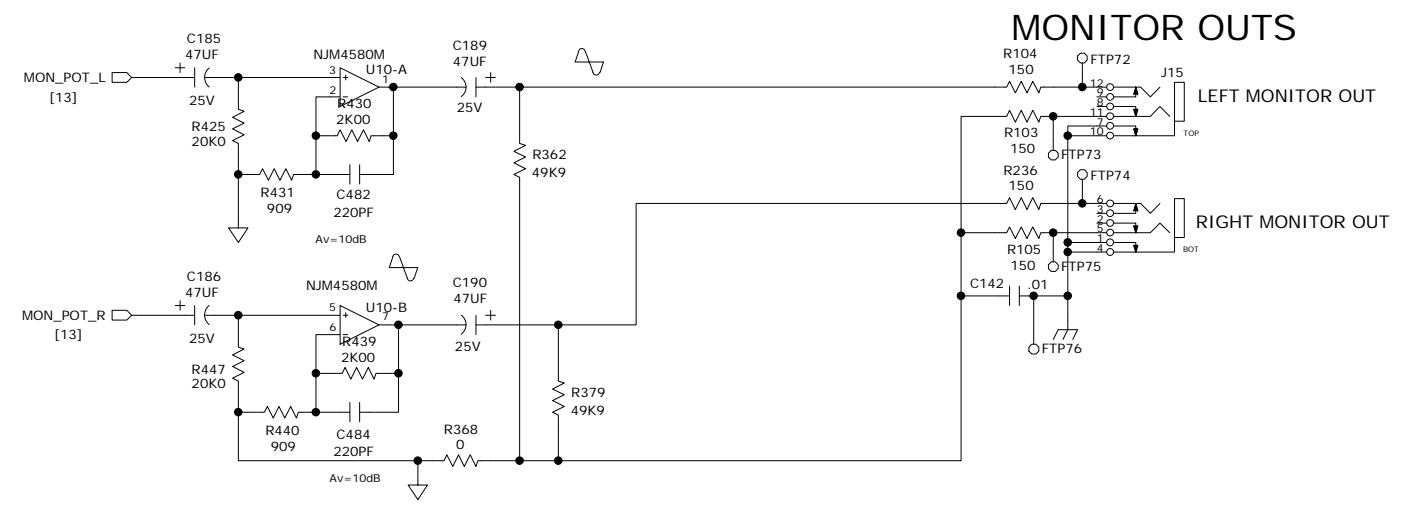
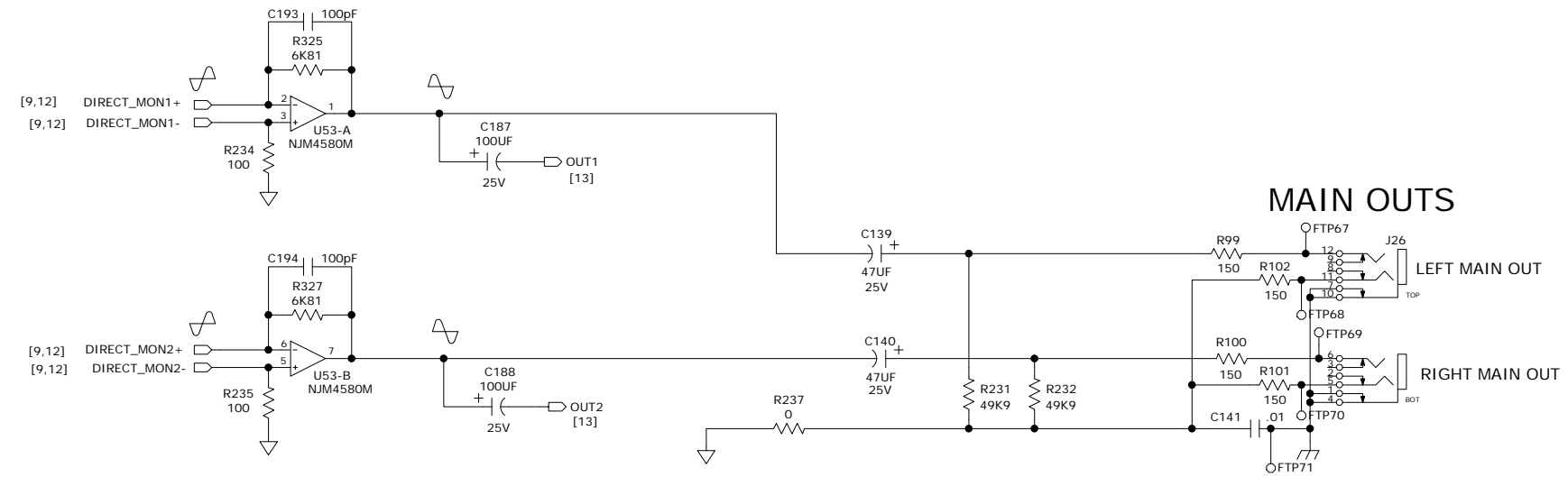
© 2009 LOUD TECHNOLOGIES INC.
ALL RIGHTS RESERVED
THE INFORMATION CONTAINED HEREIN
IS PROPRIETARY AND CONFIDENTIAL
PROPERTY OF LOUD TECHNOLOGIES INC.

ADAT OUT DAUGHTER BOARD




APPROVALS	DATE	LOUD Technologies Inc.			
DRAWN: Matt Darval	5/4/2010	16220 WOOD-RED RD NE WOODINVILLE, WA 98072			
CHECKED:		BLACKBIRD MAIN ADAT/WCLK			
NP ENG:					
MATERIAL:					
MFG:					
MFG ENG:		SIZE: D	SCALE: NONE	DWG. NO. 2034354-XX	REV. B05
ISSUED:		DWG FILE: 2034354-XX-B05.sch		SHEET 10 OF 13	

© 2009 LOUD TECHNOLOGIES INC.
 ALL RIGHTS RESERVED
 THE INFORMATION CONTAINED HEREIN
 IS PROPRIETARY AND CONFIDENTIAL
 PROPERTY OF LOUD TECHNOLOGIES INC.

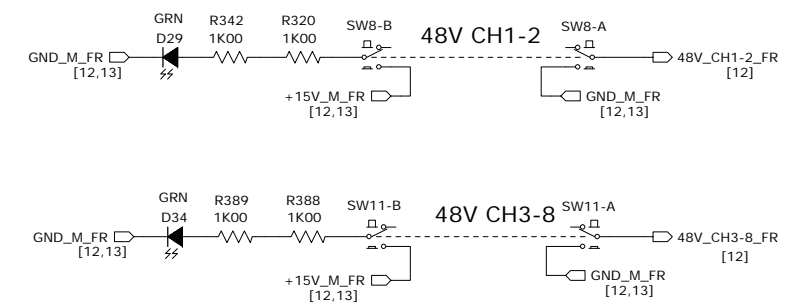
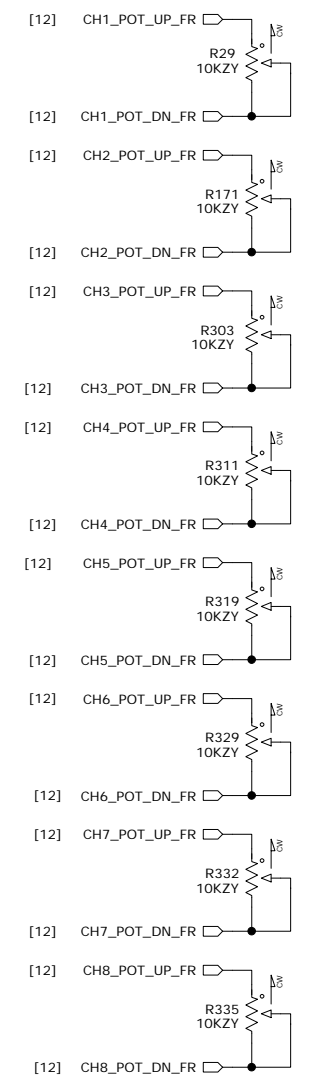
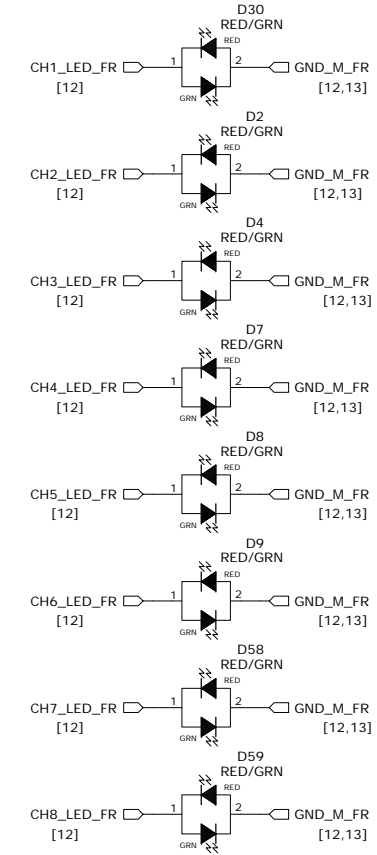
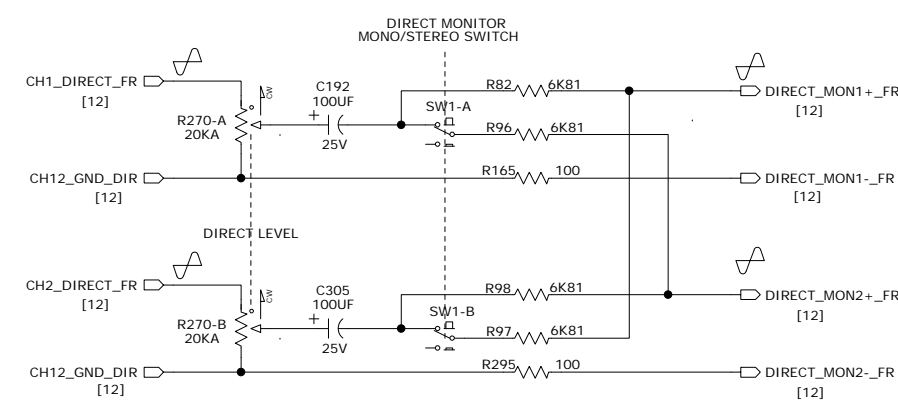
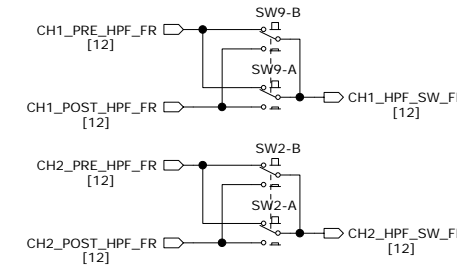
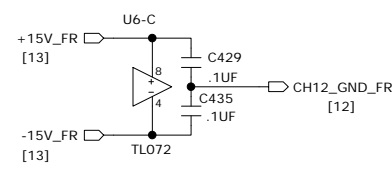
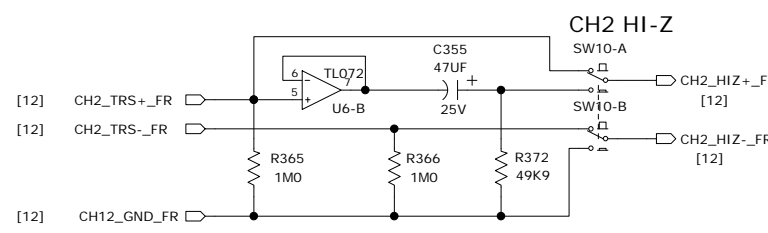
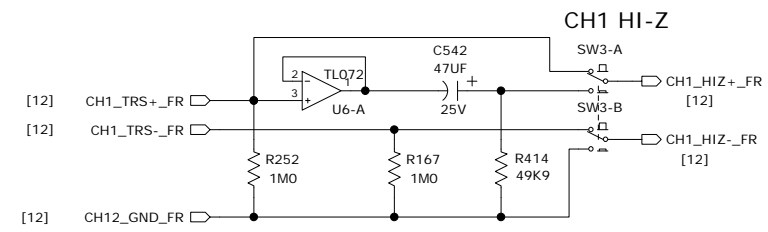


APPROVALS		DATE
DRAWN: Matt Darval		5/4/2010
CHECKED:		
NP ENG:		
MATERIAL:		
MFG:		
MFG ENG:		
ISSUED:		

 LOUD Technologies Inc. 16220 WOOD-RED RD NE WOODINVILLE, WA 98072		
BLACKBIRD MAIN ANALOG_OUTS		
SIZE	SCALE: NONE	DWG. NO. 2034354-XX
D		REV. B05
DWG FILE: 2034354-XX-B05.sch		SHEET 11 OF 13

© 2009 LOUD TECHNOLOGIES INC.
 ALL RIGHTS RESERVED
 THE INFORMATION CONTAINED HEREIN
 IS PROPRIETARY AND CONFIDENTIAL
 PROPERTY OF LOUD TECHNOLOGIES INC.

[2]	CH1_POT_UP	CBL2-A	CH1_POT_UP_FR	[12]
[2]	CH1_POT_DN	CBL2-B	CH1_POT_DN_FR	[12]
[2]	CH1_TRS+	CBL2-E	CH1_TRS+_FR	[12]
[1,2,12]	CH12_GND	CBL2-C	CH12_GND_FR	[12]
[2]	CH1_TRS-	CBL2-D	CH1_TRS-_FR	[12]
[2]	CH1_HIZ+	CBL2-G	CH1_HIZ+_FR	[12]
[2]	CH1_HIZ-	CBL2-F	CH1_HIZ-_FR	[12]
[2]	CH1_PRE_HPF	CBL2-H	CH1_PRE_HPF_FR	[12]
[2]	CH1_POST_HPF	CBL2-I	CH1_POST_HPF_FR	[12]
[2]	CH1_HPF_SW	CBL2-J	CH1_HPF_SW_FR	[12]
[2]	CH1_LED	CBL3-A	CH1_LED_FR	[12]
[2]	CH2_POT_UP	CBL3-B	CH2_POT_UP_FR	[12]
[2]	CH2_POT_DN	CBL3-C	CH2_POT_DN_FR	[12]
[2]	CH2_TRS+	CBL3-D	CH2_TRS+_FR	[12]
[1,2,12]	CH12_GND	CBL3-E	CH12_GND_FR	[12]
[2]	CH2_TRS-	CBL3-F	CH2_TRS-_FR	[12]
[2]	CH2_HIZ+	CBL3-G	CH2_HIZ+_FR	[12]
[2]	CH2_HIZ-	CBL3-H	CH2_HIZ-_FR	[12]
[2]	CH2_PRE_HPF	CBL3-I	CH2_PRE_HPF_FR	[12]
[2]	CH2_POST_HPF	CBL3-J	CH2_POST_HPF_FR	[12]
[2]	CH2_HPF_SW	CBL4-A	CH2_HPF_SW_FR	[12]
[2]	CH2_LED	CBL4-B	CH2_LED_FR	[12]
[2]	CH1_DIRECT	CBL4-C	CH1_DIRECT_FR	[12]
[1,2,12]	CH12_GND	CBL4-D	CH12_GND_FR	[12]
[2]	CH2_DIRECT	CBL4-E	CH2_DIRECT_FR	[12]
[1,2,12]	CH12_GND	CBL4-F	CH12_GND_FR	[12]
[9,11]	DIRECT_MON1+	CBL4-G	DIRECT_MON1+_FR	[12]
[9,11]	DIRECT_MON1-	CBL4-H	DIRECT_MON1-_FR	[12]
[9,11]	DIRECT_MON2+	CBL4-I	DIRECT_MON2+_FR	[12]
[9,11]	DIRECT_MON2-	CBL4-J	DIRECT_MON2-_FR	[12]
[2]	48V_CH1-2	CBL5-A	48V_CH1-2_FR	[12]
[3]	CH3_LED	CBL5-B	CH3_LED_FR	[12]
[3]	CH3_POT_UP	CBL5-D	CH3_POT_UP_FR	[12]
[3]	CH3_POT_DN	CBL5-E	CH3_POT_DN_FR	[12]
[3]	CH4_POT_UP	CBL5-G	CH4_POT_UP_FR	[12]
[3]	CH4_POT_DN	CBL5-H	CH4_POT_DN_FR	[12]
[3]	CH4_LED	CBL5-J	CH4_LED_FR	[12]
[4]	CH5_LED	CBL10-A	CH5_LED_FR	[12]
[4]	CH5_POT_UP	CBL10-B	CH5_POT_UP_FR	[12]
[4]	CH5_POT_DN	CBL10-C	CH5_POT_DN_FR	[12]
[4]	CH6_POT_UP	CBL10-E	CH6_POT_UP_FR	[12]
[4]	CH6_POT_DN	CBL10-F	CH6_POT_DN_FR	[12]
[4]	CH6_LED	CBL10-G	CH6_LED_FR	[12]
[5]	CH7_LED	CBL6-A	CH7_LED_FR	[12]
[5]	CH7_POT_UP	CBL6-B	CH7_POT_UP_FR	[12]
[5]	CH7_POT_DN	CBL6-C	CH7_POT_DN_FR	[12]
[5]	CH8_POT_UP	CBL6-E	CH8_POT_UP_FR	[12]
[5]	CH8_POT_DN	CBL6-F	CH8_POT_DN_FR	[12]
[5]	CH8_LED	CBL6-H	CH8_LED_FR	[12]
[3]	48V_CH3-8	CBL6-I	48V_CH3-8_FR	[12]



© 2009 LOUD TECHNOLOGIES INC.
 ALL RIGHTS RESERVED
 THE INFORMATION CONTAINED HEREIN
 IS PROPRIETARY AND CONFIDENTIAL
 PROPERTY OF LOUD TECHNOLOGIES INC.

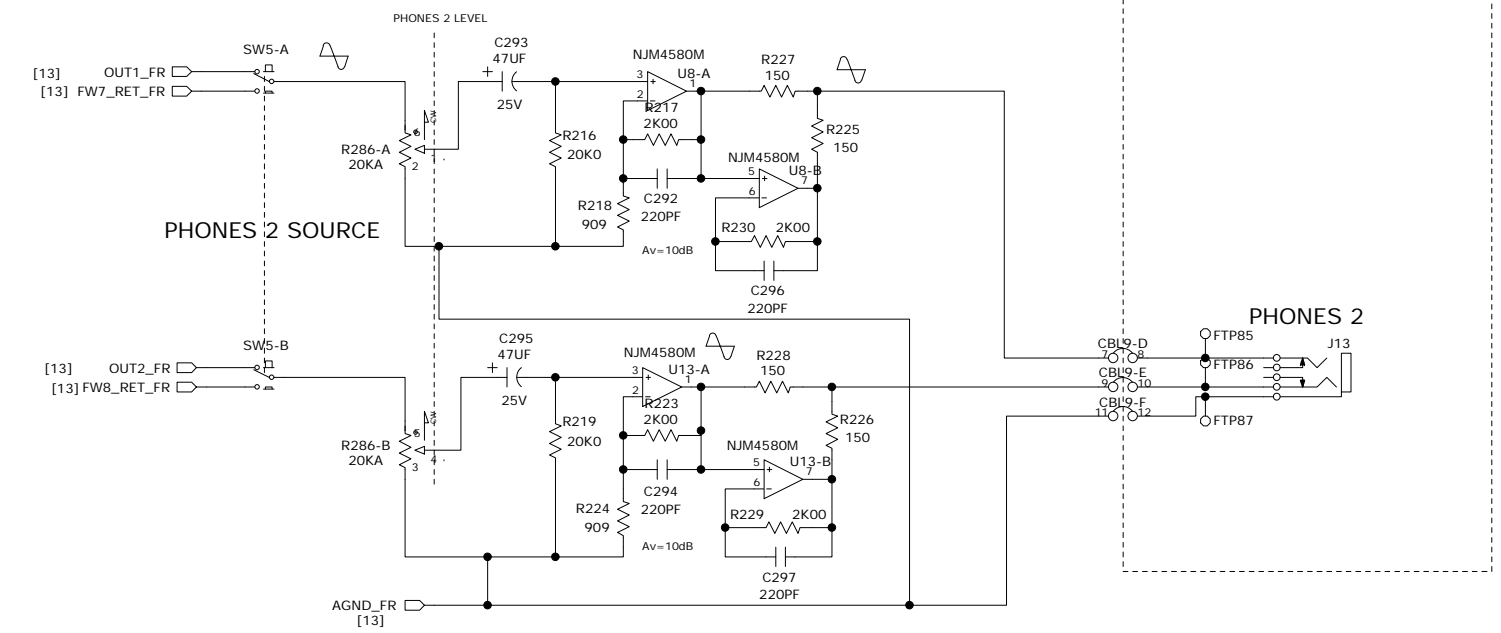
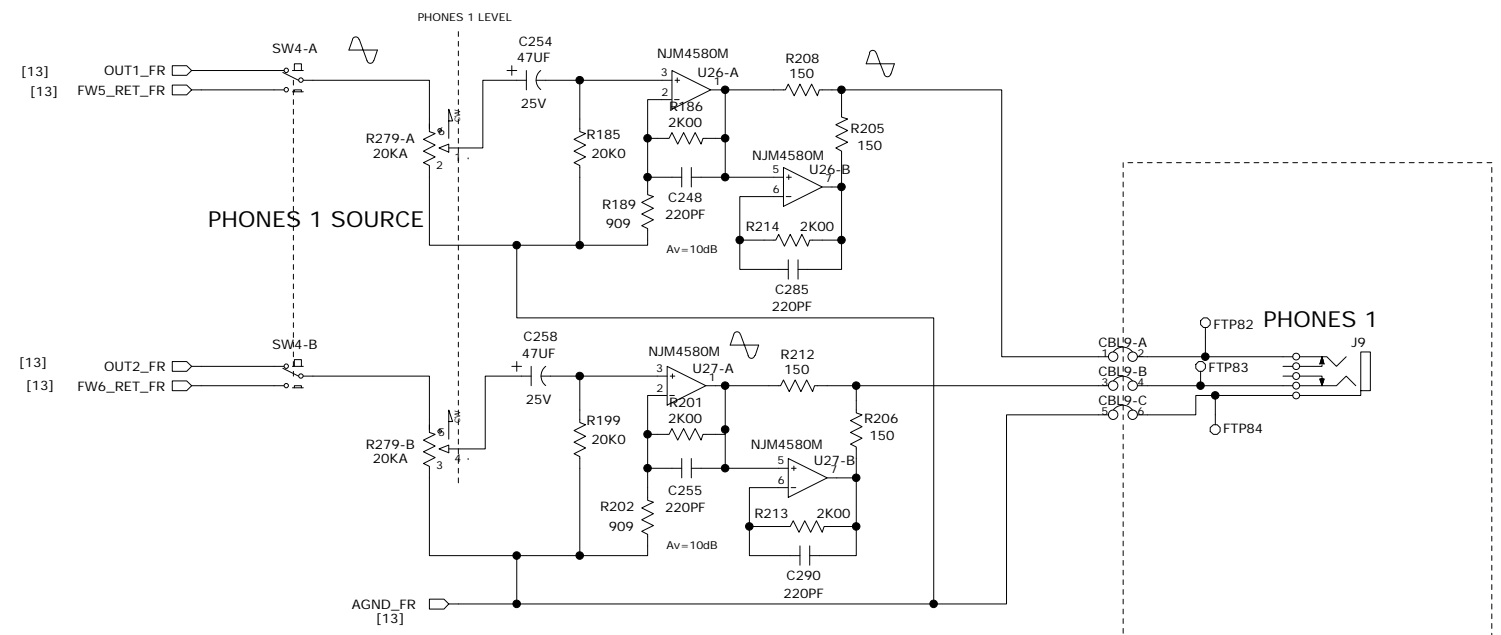
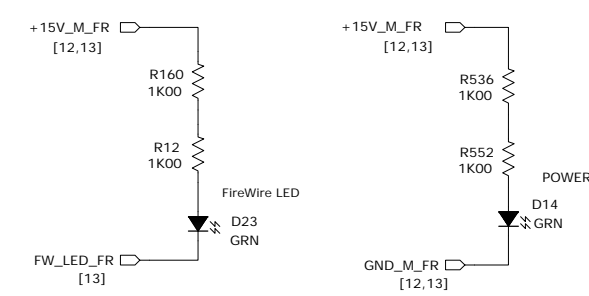
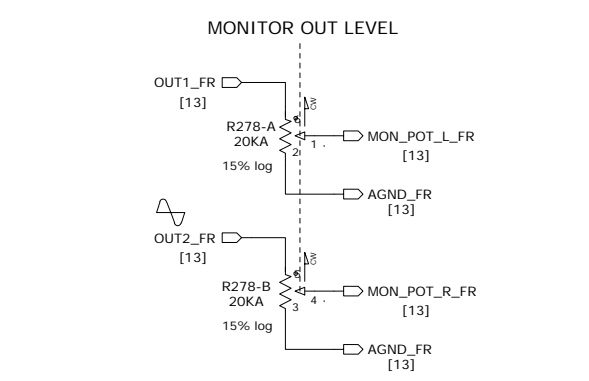
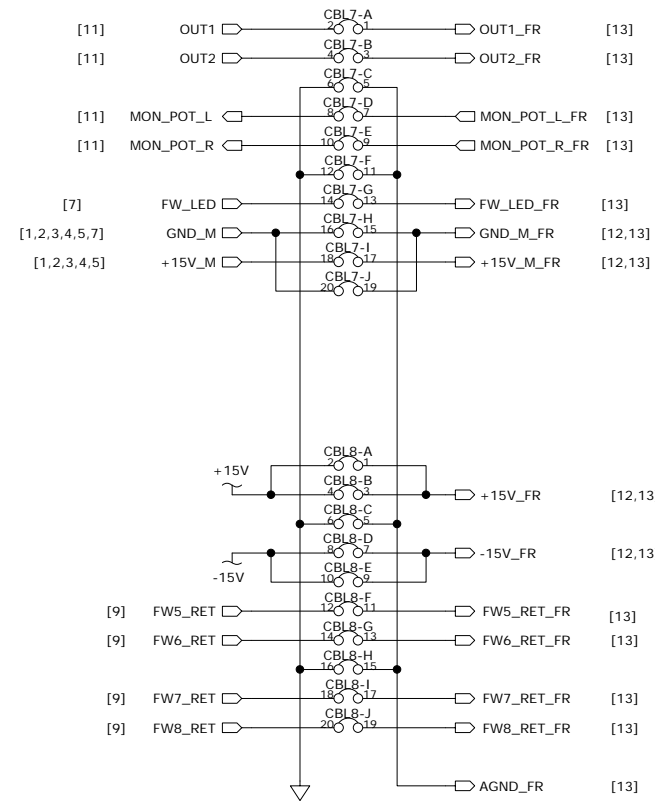
APPROVALS		DATE
DRAWN:	Matt Darval	5/4/2010
CHECKED:		
NP ENG:		
MATERIAL:		
MFG:		
MFG ENG:		
ISSUED:		

LOUD Technologies Inc.
 16220 WOOD-RED RD NE WOODINVILLE, WA 98072

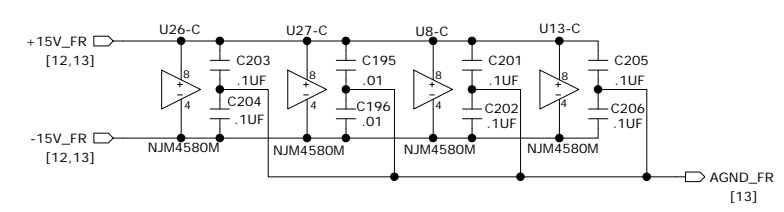
BLACKBIRD MAIN
FR_PANEL_CHANNELS

SIZE	SCALE: NONE	DWG. NO.	REV.
D		2034354-XX	B05

DWG FILE: 2034354-XX-B05.sch SHEET 12 OF 13



- SO1 0008320-01
STDF SWAGE M3 X .13.8MM 4.7 DIA
- SO3 0008320-01
STDF SWAGE M3 X .13.8MM 4.7 DIA
- SO4 0008320-01
STDF SWAGE M3 X .13.8MM 4.7 DIA
- SO5 0008320-01
STDF SWAGE M3 X .13.8MM 4.7 DIA
- SO6 0008320-01
STDF SWAGE M3 X .13.8MM 4.7 DIA
- SO7 0008320-01
STDF SWAGE M3 X .13.8MM 4.7 DIA
- SO8 0008320-01
STDF SWAGE M3 X .13.8MM 4.7 DIA



© 2009 LOUD TECHNOLOGIES INC.
ALL RIGHTS RESERVED
THE INFORMATION CONTAINED HEREIN
IS PROPRIETARY AND CONFIDENTIAL
PROPERTY OF LOUD TECHNOLOGIES INC.

APPROVALS		DATE
DRAWN: Matt Darval		5/4/2010
CHECKED:		
NP ENG:		
MATERIAL:		
MFG:		
MFG ENG:		
ISSUED:		
LOUD Technologies Inc. 16220 WOOD-RED RD NE WOODINVILLE, WA 98072		
BLACKBIRD MAIN FR_PANEL_OUTS		
SIZE: D	SCALE: NONE	DWG. NO. 2034354-XX
DWG FILE: 2034354-XX-B05.sch		REV. B05
SHEET 13 OF 13		