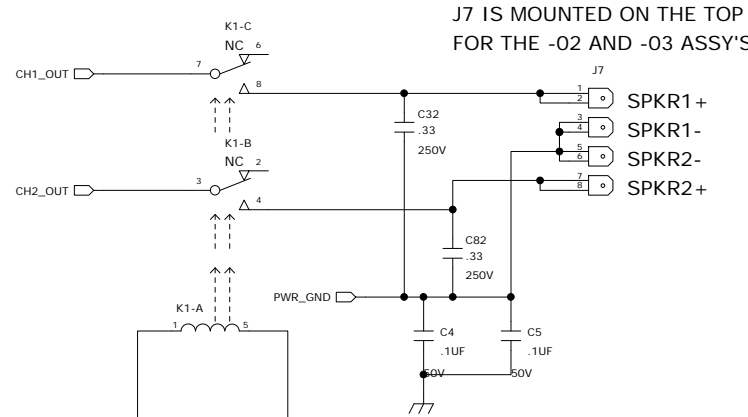


* SEE TABLE ON THIS SHEET

-00 IS 500 WATT VERSION FOR PPM
 -01 IS 300 WATT VERSION FOR PPM
 -02 IS 500 WATT VERSION FOR PPM1012
 -03 IS 1 CHAN VERSION WITH MANY NO STUFFS
 -04 IS 500 WATT VERSION FOR FS SPKRS


	-00/-02/-03/-04	-01
Q1-4	0024057 FDP33N25	2034486 IRFB5620PBF
D20,22	0004127 MMSZ5259B (39V)	0004131 MMSZ5250B (20V)
C37,38	0024044	NO STUFF
FOR -04 J1 IS VERTICAL, PN 0005168-07		
FOR -03 J7 IS HORIZONTAL, PN 0029682		



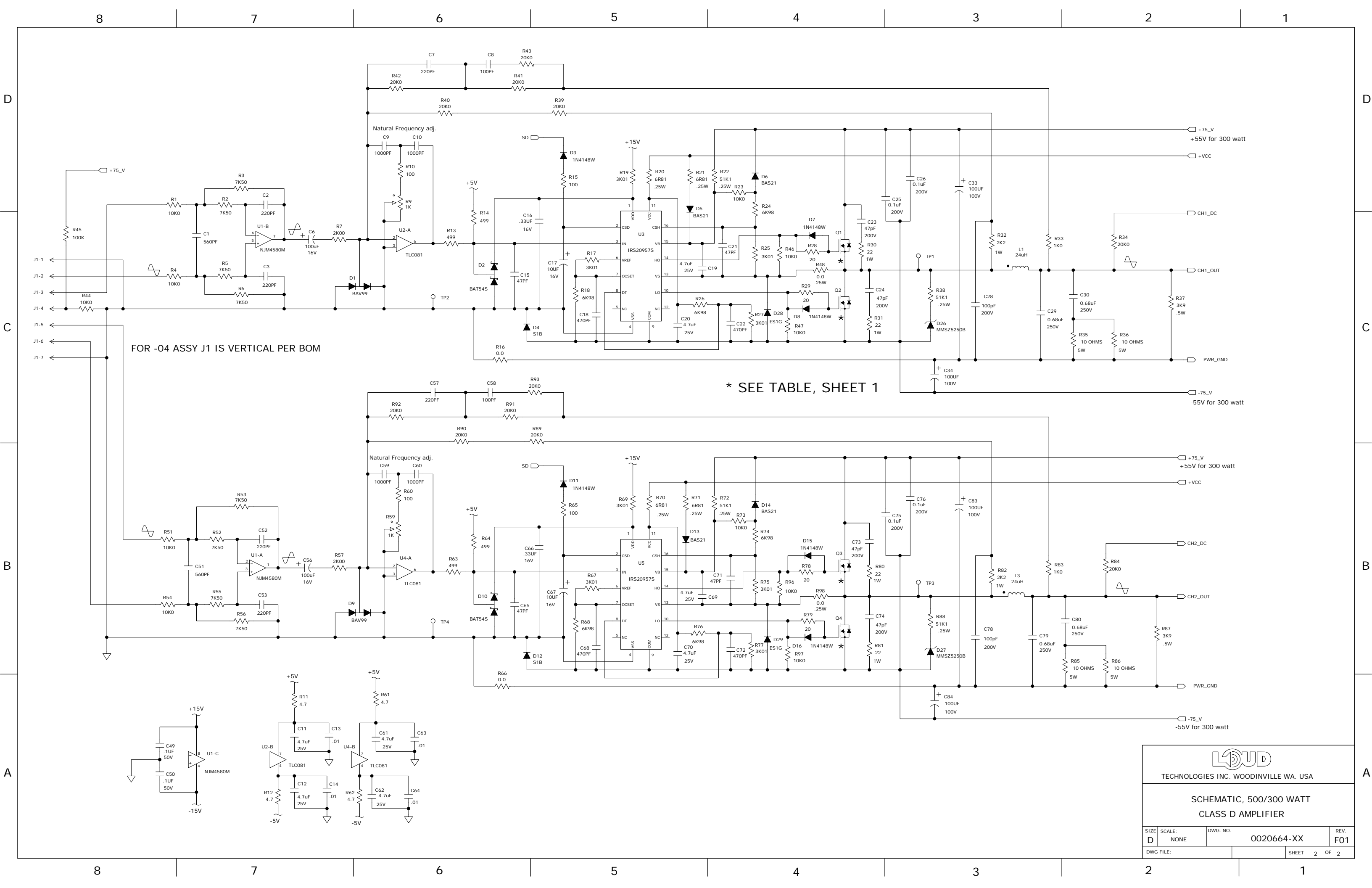
J7 IS MOUNTED ON THE TOP FOR THE -02 AND -03 ASSY'S

- SCH1 0020664-XX SCHEMATIC PCB ASSY
- PCB1 0020665-05 PCB FAB 500/300 W CLASS D AMP
- Z11 0008320-04 STDF SWAGE M3 X 8MM 4.7 DIA
- Z10 0008320-04 STDF SWAGE M3 X 8MM 4.7 DIA
- Z9 0008320-04 STDF SWAGE M3 X 8MM 4.7 DIA
- Z8 0008320-04 STDF SWAGE M3 X 8MM 4.7 DIA
- Z6 0008320-04 STDF SWAGE M3 X 8MM 4.7 DIA
- Z7 0008320-04 STDF SWAGE M3 X 8MM 4.7 DIA
- Z12 0020065-12 SCREW M3 X 0.5 X 12MM PAN MCH SEMS-ETLW PH STL BLKZC
- Z13 0020065-12 SCREW M3 X 0.5 X 12MM PAN MCH SEMS-ETLW PH STL BLKZC
- Z14 0020065-12 SCREW M3 X 0.5 X 12MM PAN MCH SEMS-ETLW PH STL BLKZC
- Z15 0020065-12 SCREW M3 X 0.5 X 12MM PAN MCH SEMS-ETLW PH STL BLKZC
- Z1 410-005-00 INSL SILPAD TO-220
- Z16 410-005-00 INSL SILPAD TO-220
- Z17 410-005-00 INSL SILPAD TO-220
- Z18 410-005-00 INSL SILPAD TO-220
- Z19 410-005-00 INSL SILPAD TO-220
- Z20 0022831 EXTRUSION MACHINED HEATSINK - POWERED MIXERS
- Z21 0022832 BRACKET TRANSISTOR MOUNTING - POWERED MIXERS
- Z22 0020075-08 SCREW M3.5 X 0.6 X 8MM PAN MCH SEMS-HSLW PH STL CLRZC
- Z23 0020075-08 SCREW M3.5 X 0.6 X 8MM PAN MCH SEMS-HSLW PH STL CLRZC
- Z24 0020075-08 (FOR -04 ASSY, STANDOFF 2036404) SCREW M3.5 X 0.6 X 8MM PAN MCH SEMS-HSLW PH STL CLRZC
- Z25 0020075-08 SCREW M3.5 X 0.6 X 8MM PAN MCH SEMS-HSLW PH STL CLRZC
- Z26 0021206 TIE WRAP 4.5" LG
- Z27 0021206 TIE WRAP 4.5" LG
- Z51 2034504 SILICONE RTV NON-FLOWABLE PASTE

NOTE: FOR BOM IMPORT OF -02, USE -00 FILE.

APPROVALS	DATE	 LOUD Technologies Inc. 16220 WOOD-RED RD NE WOODINVILLE, WA 98072
DRAWN: RJ	3/05/2008	
CHECKED:		
NP ENG:		
MATERIAL:		
MFG:		
MFG ENG:		SIZE: D SCALE: NONE DWG. NO.: 0020664-XX REV. F01
ISSUED:		DWG. FILE:

© 2007-2011 LOUD TECHNOLOGIES INC. ALL RIGHTS RESERVED THE INFORMATION CONTAINED HEREIN IS PROPRIETARY AND CONFIDENTIAL PROPERTY OF LOUD TECHNOLOGIES INC.



LOUD
TECHNOLOGIES INC. WOODINVILLE WA. USA

**SCHEMATIC, 500/300 WATT
CLASS D AMPLIFIER**

SIZE: D	SCALE: NONE	DWG. NO.: 0020664-XX	REV. F01
DWG. FILE:		SHEET 2 OF 2	