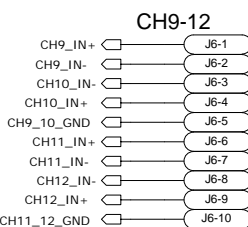
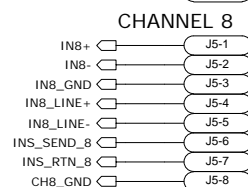
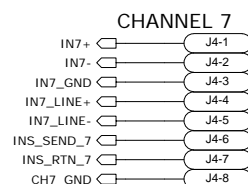
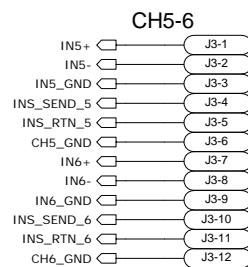
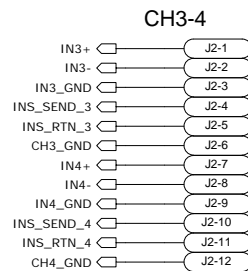
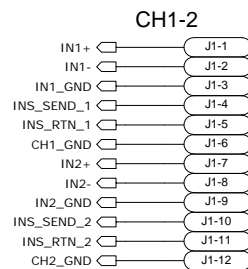
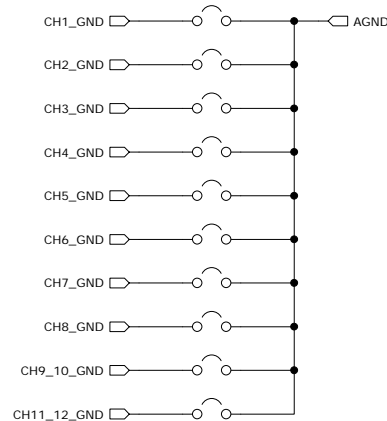
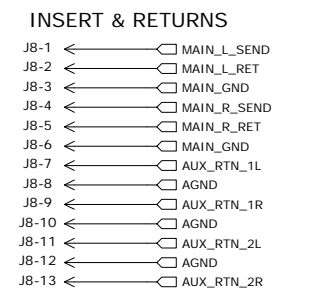
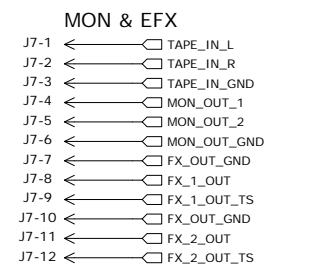
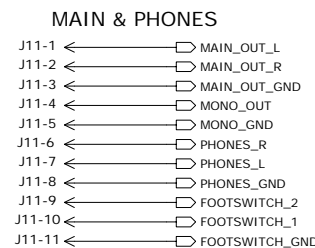


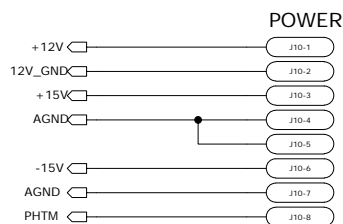
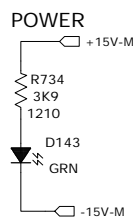
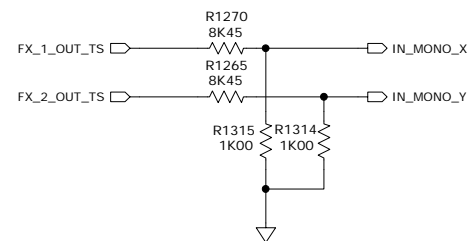
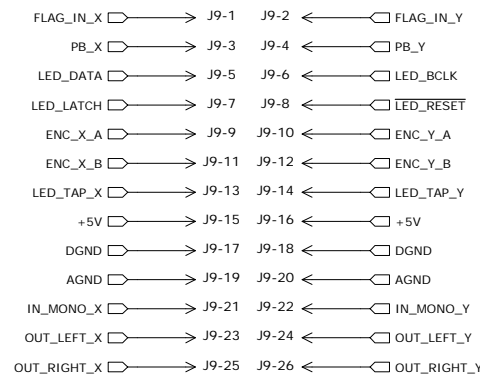
INPUTS



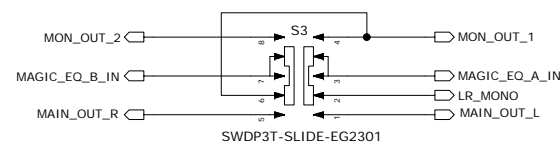
MASTER CONNECTORS



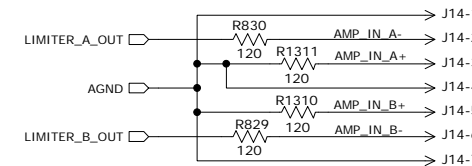
TO EFFECTS BOARD



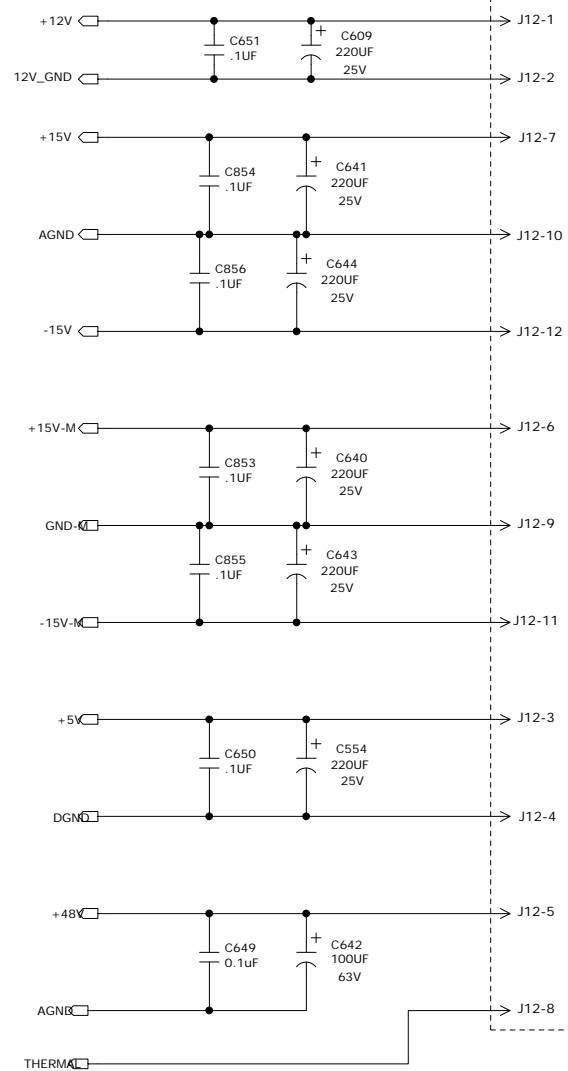
AMP SELECTOR



AMP SEND




POWER

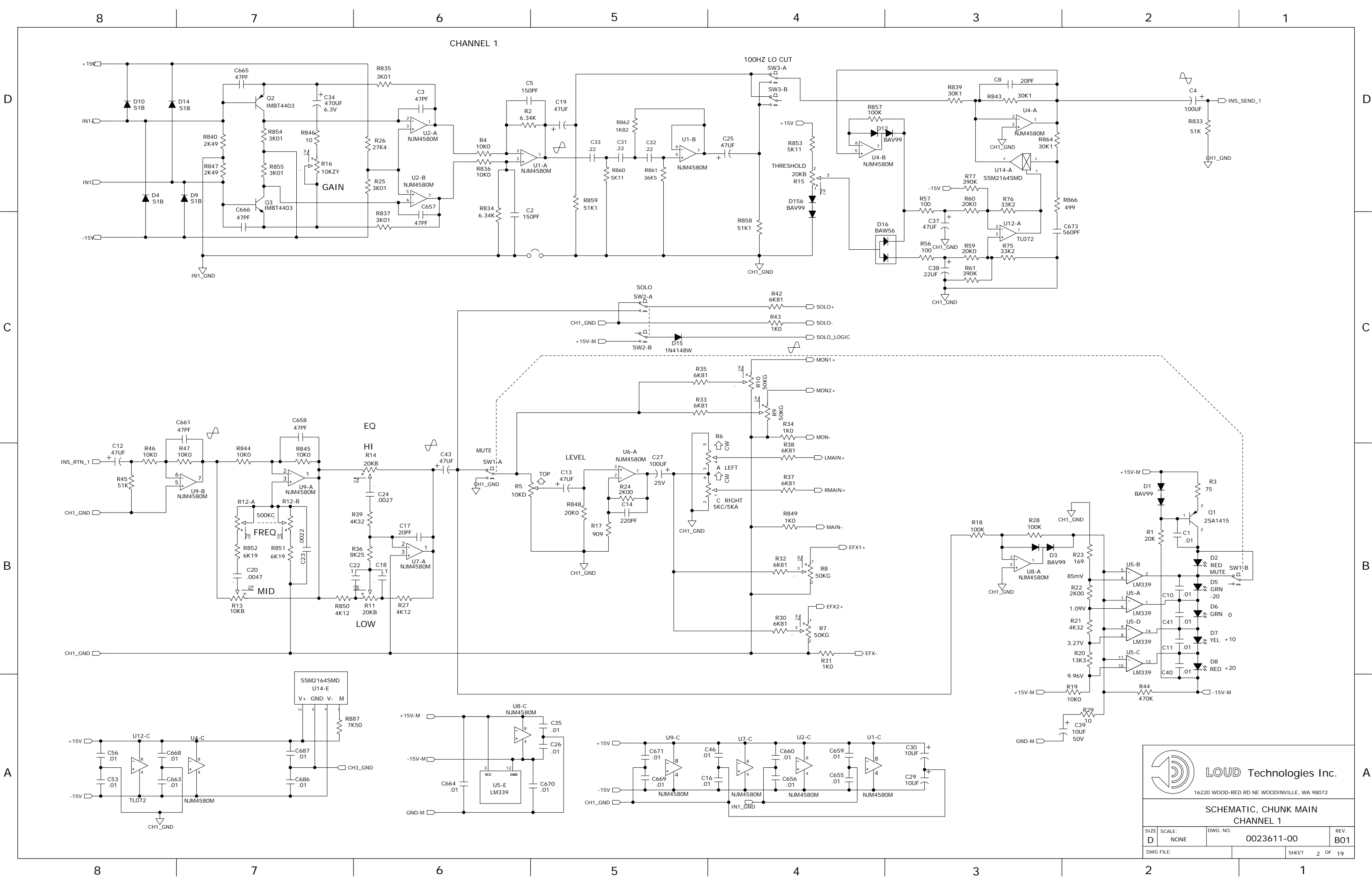


- BTN1 0008793-09 SM RECTANGLE BUTTON 5X7mm CONTROL GREY "LOW CUT" (SYMBOL)
- BTN2 BTN6
- BTN3 BTN7
- BTN4 BTN8
- BTN5
- BTN9 0008793-23 SM RECTANGLE BUTTON 5X7mm CONTROL GREY "GUITAR" (SYMBOL)
- BTN10
- BTN11 0008793-03 SM RECTANGLE BUTTON 5X7mm CONTROL GREY
- BTN12 BTN17 BTN22 BTN27
- BTN13 BTN18 BTN23 BTN28
- BTN14 BTN19 BTN24 BTN29
- BTN15 BTN20 BTN25
- BTN16 BTN21 BTN26
- BTN30 0008793-06 SM RECTANGLE BUTTON 5X7mm CONTROL GREY "48V"
- BTN43 0008794-06 MED RECTANGLE BUTTON 11.5 x 8.5 mm "MUTE" CONTROL GREY
- BTN44 BTN50
- BTN45 BTN51
- BTN46 BTN52
- BTN47 BTN53
- BTN48 BTN54
- BTN49
- BTN55 0008794-02 MED RECTANGLE BUTTON 11.5 x 8.5 mm CONTROL GREY
- SQ26 0008320-05 STDF SWAGE M3 X 7MM 4.7 DIA
- SQ28 SQ29 SQ31
- SQ27 SQ30 SQ32
- SQ22 0008320-01 STDF SWAGE M3 X 13.8MM 4.7 DIA
- SQ18 SQ24 SQ2 SQ10 SQ11 SQ4
- SQ12 SQ17 SQ21 SQ5 SQ6 SQ8
- SQ1 SQ14 SQ16 SQ25 SQ3 SQ13
- SQ7 SQ9 SQ15 SQ20 SQ23 SQ19
- PCB1 0023610-01 PCB FAB CHUNK MAIN

SCH1 0023611-XX SCHEMATIC PCB ASSY CHUNK MAIN

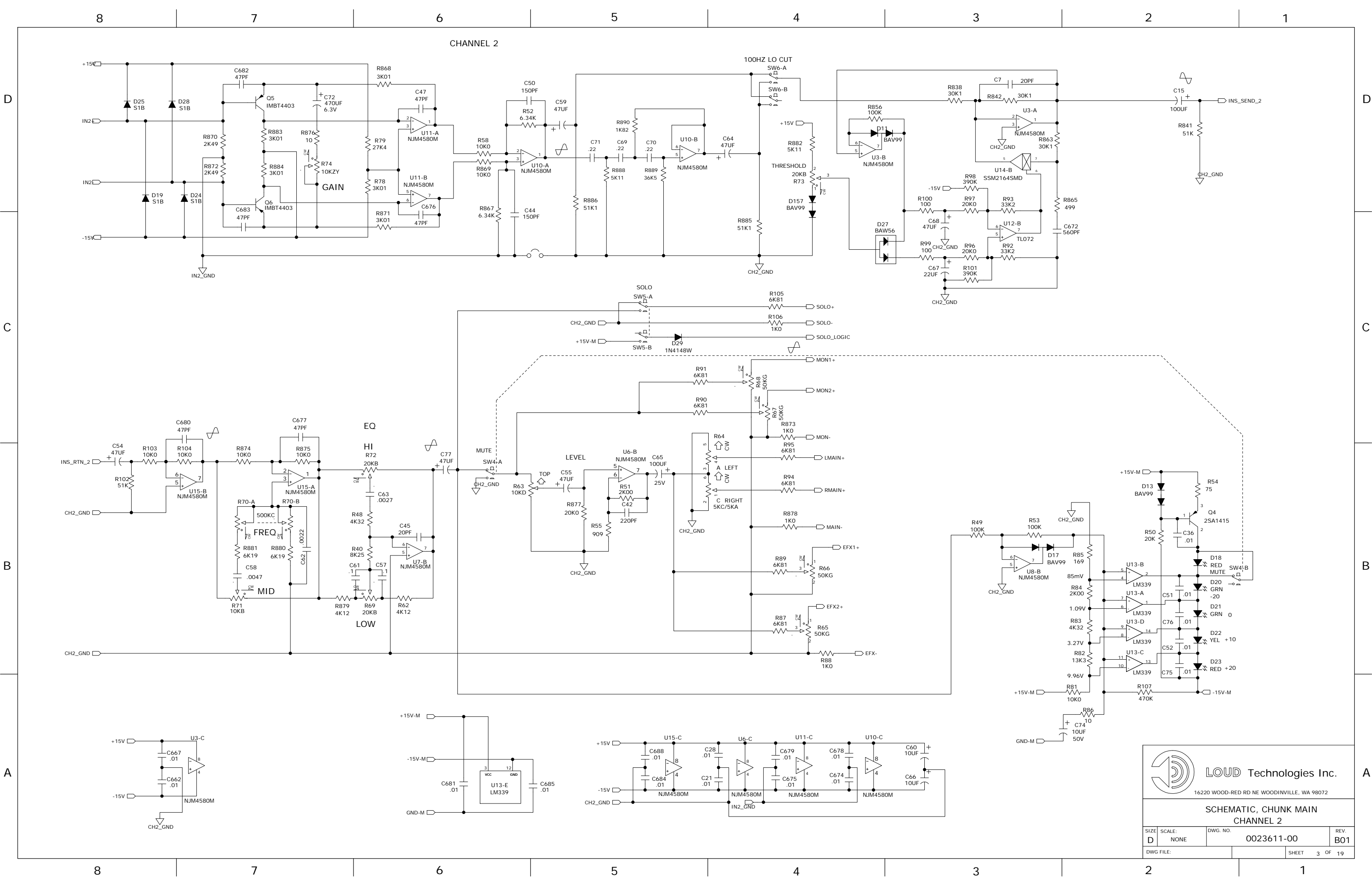
© 2007-2012 LOUD TECHNOLOGIES INC.
 ALL RIGHTS RESERVED
 THE INFORMATION CONTAINED HEREIN
 IS PROPRIETARY AND CONFIDENTIAL
 PROPERTY OF LOUD TECHNOLOGIES INC.

APPROVALS	DATE	 LOUD Technologies Inc. 16220 WOOD-RED RD NE WOODINVILLE, WA 98072				
DRAWN: DB	06-29-07					
CHECKED:						
NP ENG:						
MATERIAL:						
MFG:		SCHEMATIC, CHUNK! MAIN PCB INTERCONNECT				
MFG ENG:			SIZE: D	SCALE: NONE	DWG. NO. 0023611-00	REV. B01
ISSUED:			DWG. FILE:		SHEET 1 OF 19	



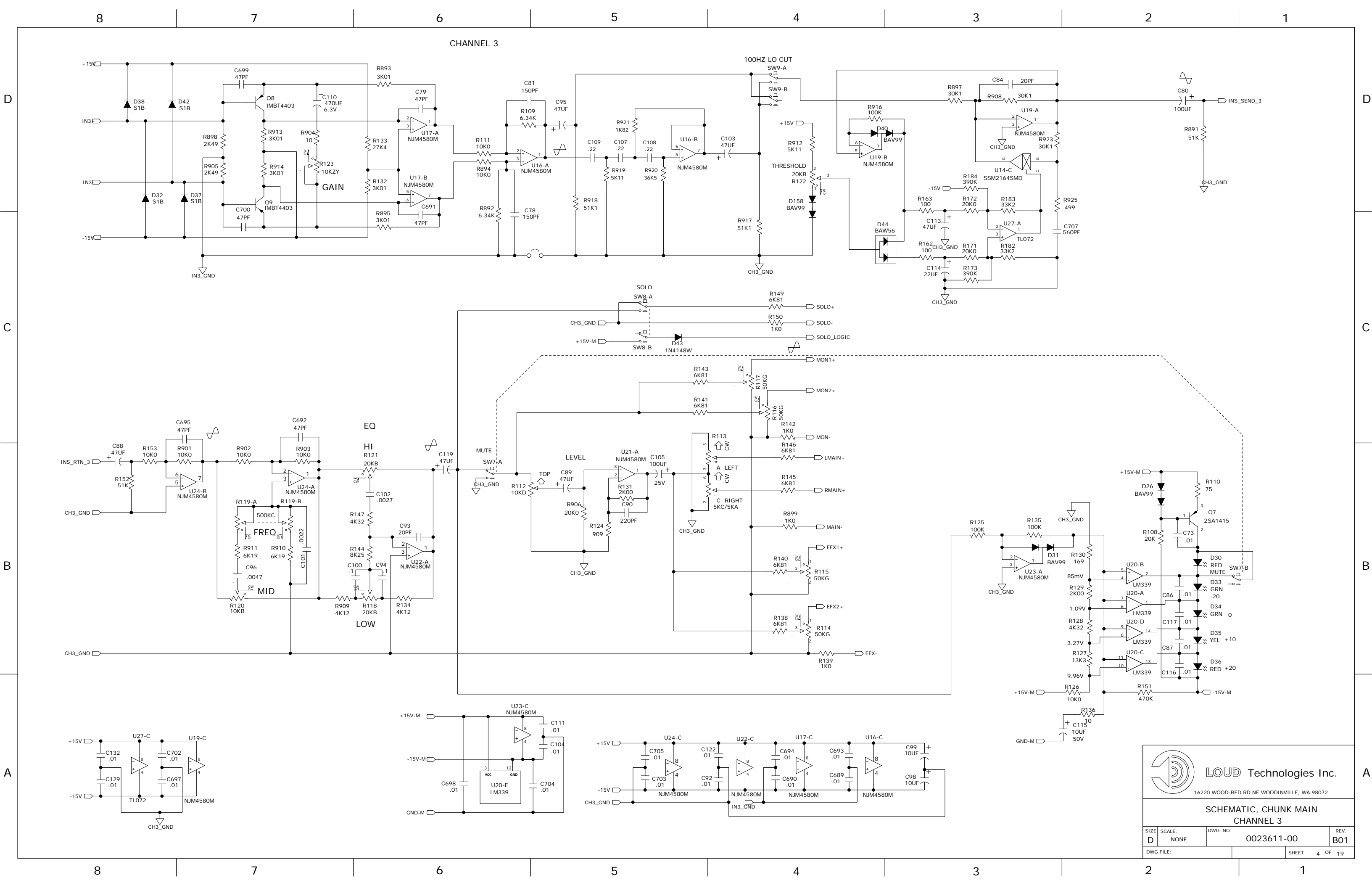
SHEMATIC, CHUNK MAIN
CHANNEL 1

SIZE: D	SCALE: NONE	DWG. NO.: 0023611-00	REV. B01
DWG. FILE:		SHEET 2 OF 19	



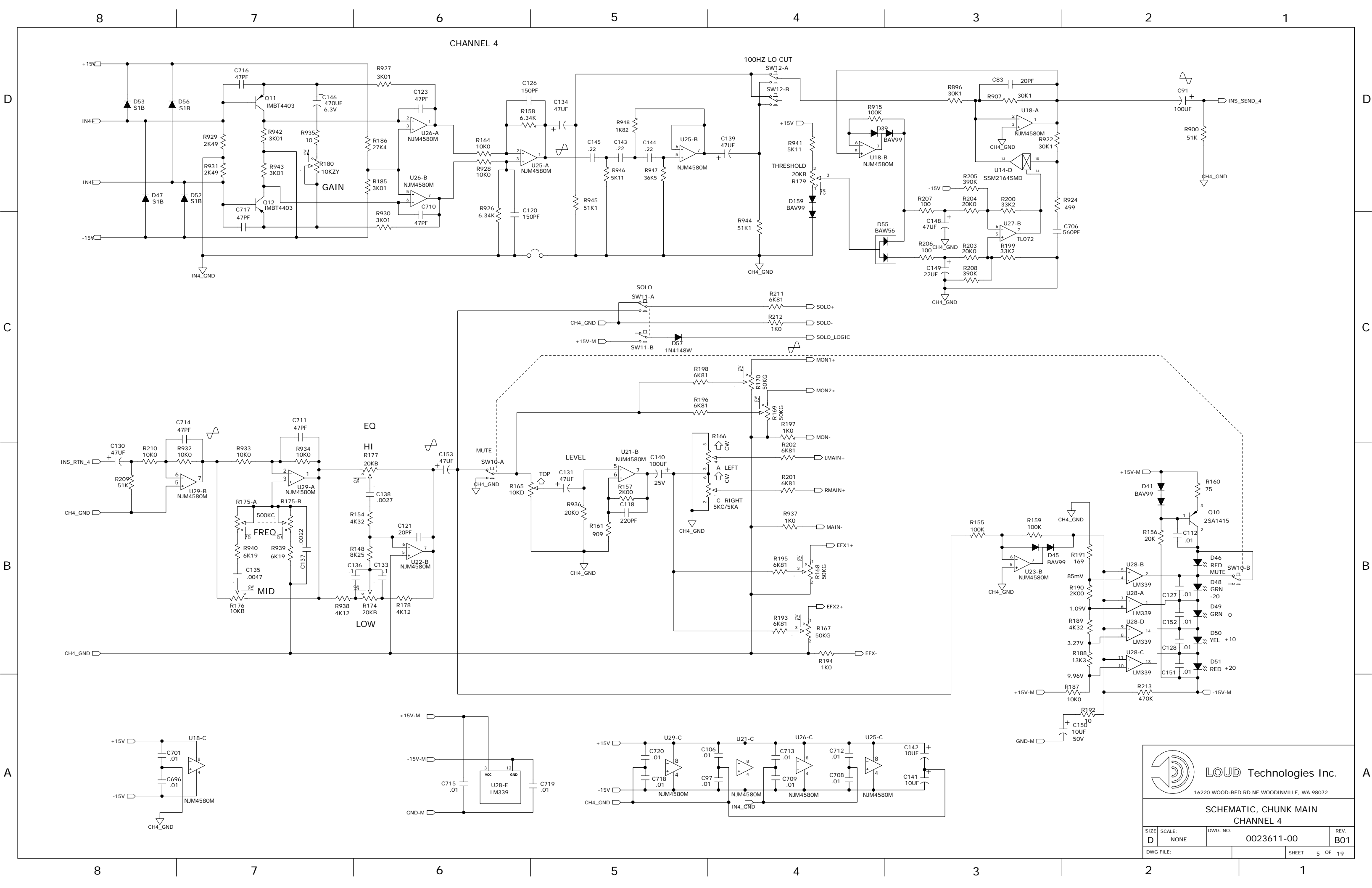
SCHEMATIC, CHUNK MAIN
CHANNEL 2

SIZE: D	SCALE: NONE	DWG. NO.: 0023611-00	REV. B01
DWG. FILE:		SHEET 3 OF 19	



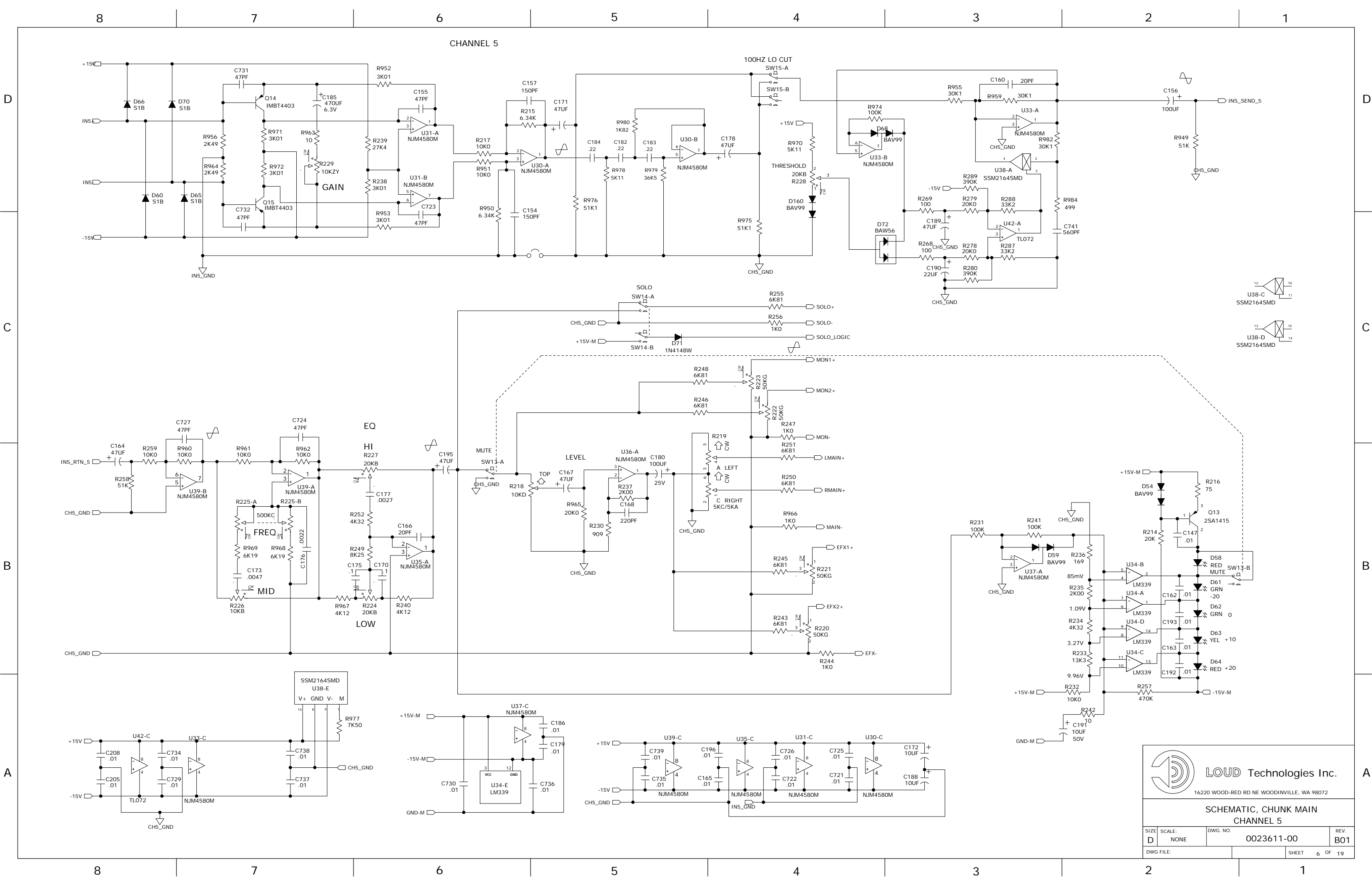
SHEMATIC, CHUNK MAIN
CHANNEL 3

SIZE: D	SCALE: NONE	DWG. NO.: 0023611-00	REV. B01
DWG. FILE:		SHEET 4 OF 19	



SHEMATIC, CHUNK MAIN
CHANNEL 4

SIZE: D	SCALE: NONE	DWG. NO.: 0023611-00	REV. B01
DWG. FILE:		SHEET 5 OF 19	



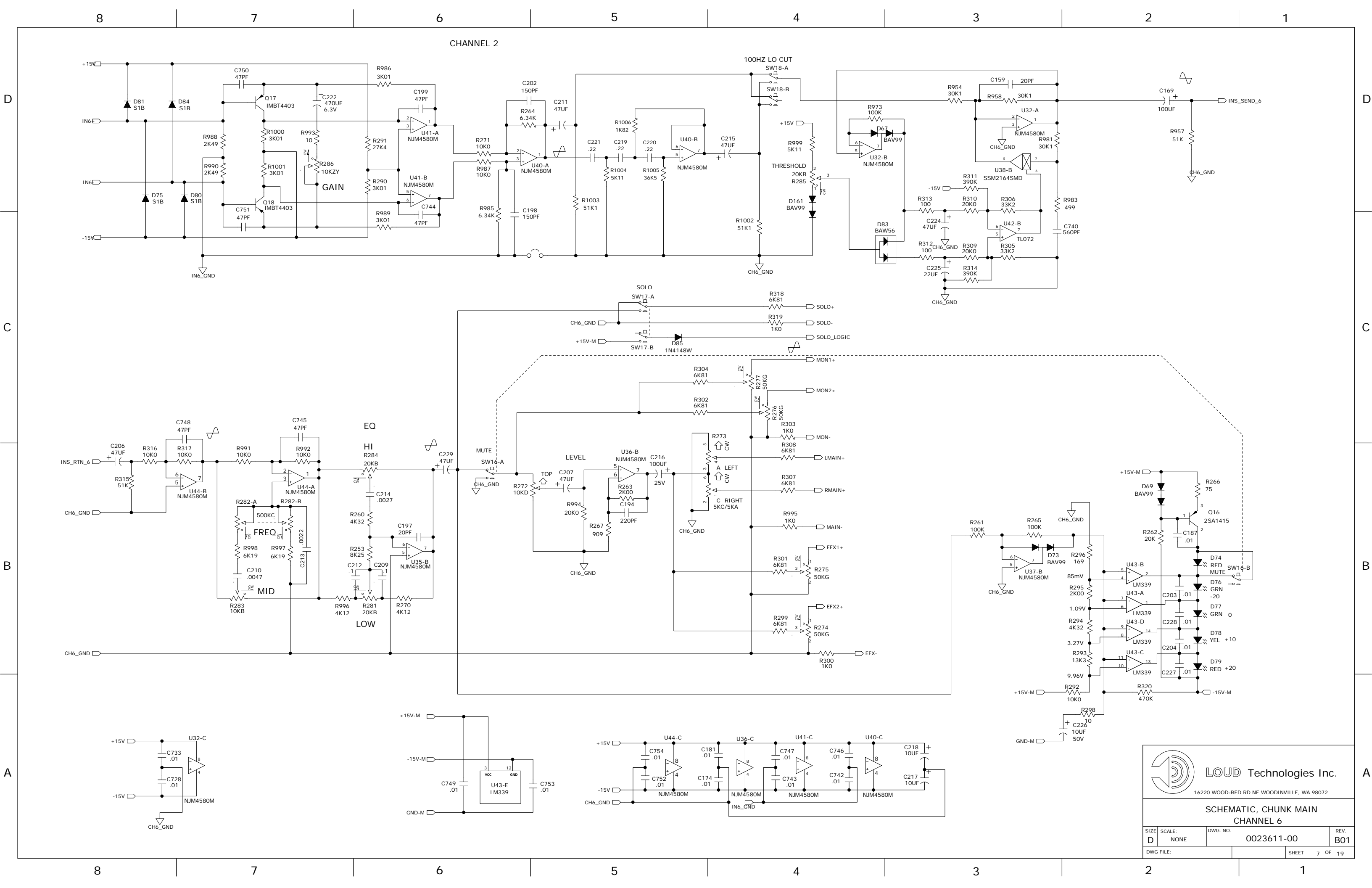
CHANNEL 5



16220 WOOD-RED RD NE WOODINVILLE, WA 98072

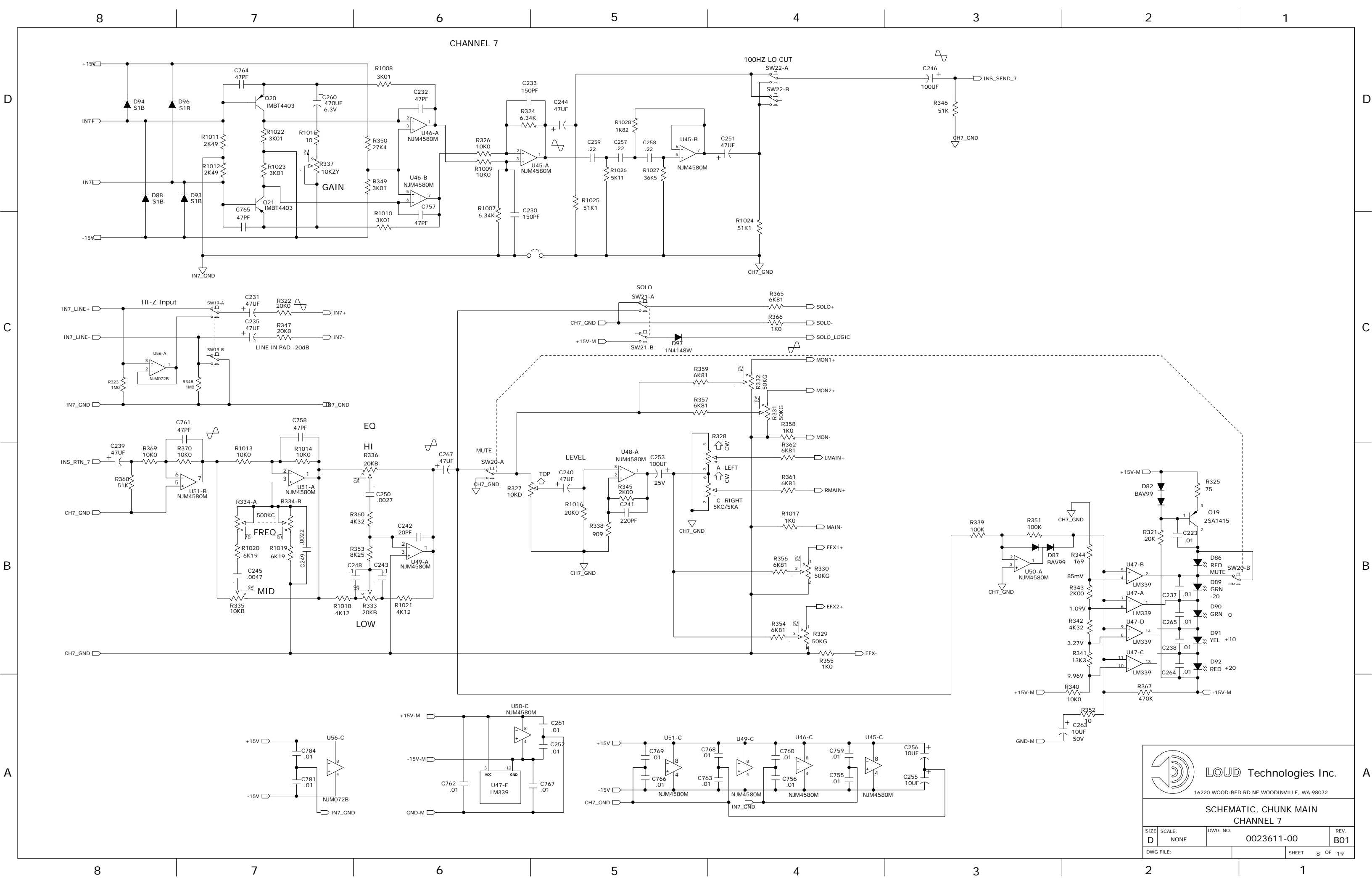
SCHMATIC, CHUNK MAIN
CHANNEL 5

SIZE: D	SCALE: NONE	DWG. NO.: 0023611-00	REV. B01
DWG. FILE:		SHEET 6 OF 19	



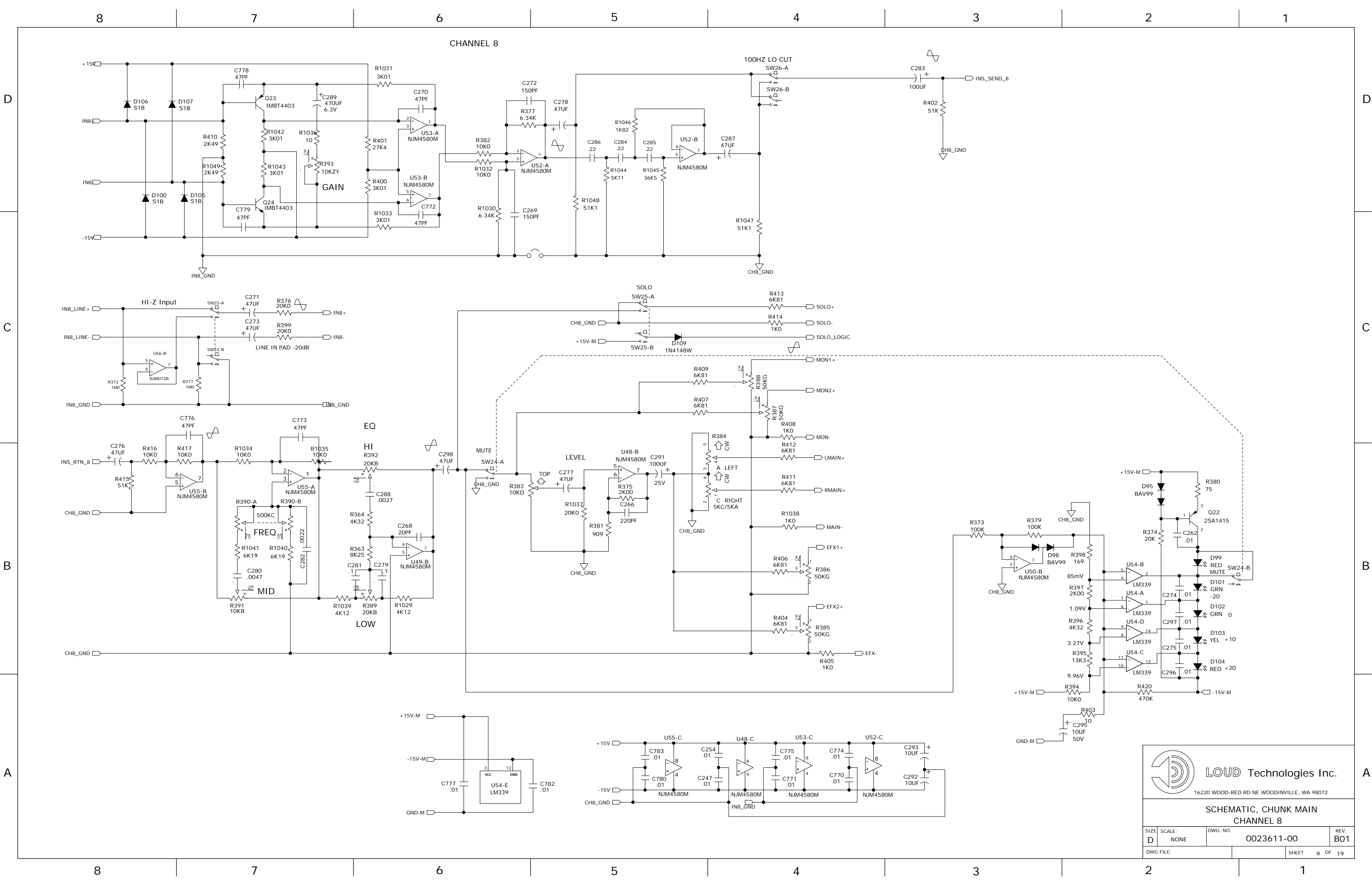
SHEMATIC, CHUNK MAIN
CHANNEL 6

SIZE: D	SCALE: NONE	DWG. NO.: 0023611-00	REV. B01
DWG. FILE:		SHEET 7 OF 19	



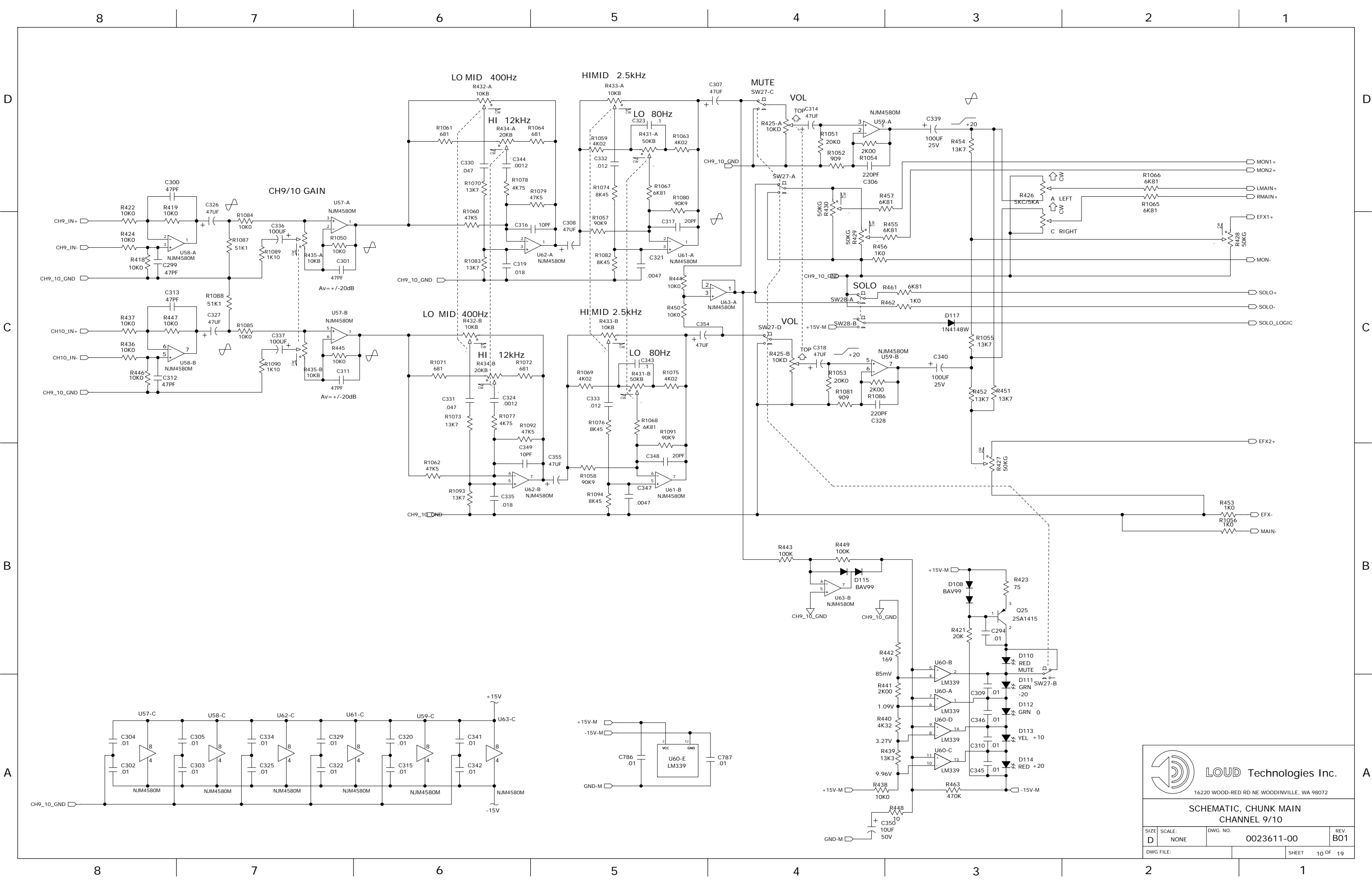
SHEMATIC, CHUNK MAIN
CHANNEL 7

SIZE: D	SCALE: NONE	DWG. NO.: 0023611-00	REV. B01
DWG. FILE:		SHEET 8 OF 19	



SCHEMATIC, CHUNK MAIN
CHANNEL 8

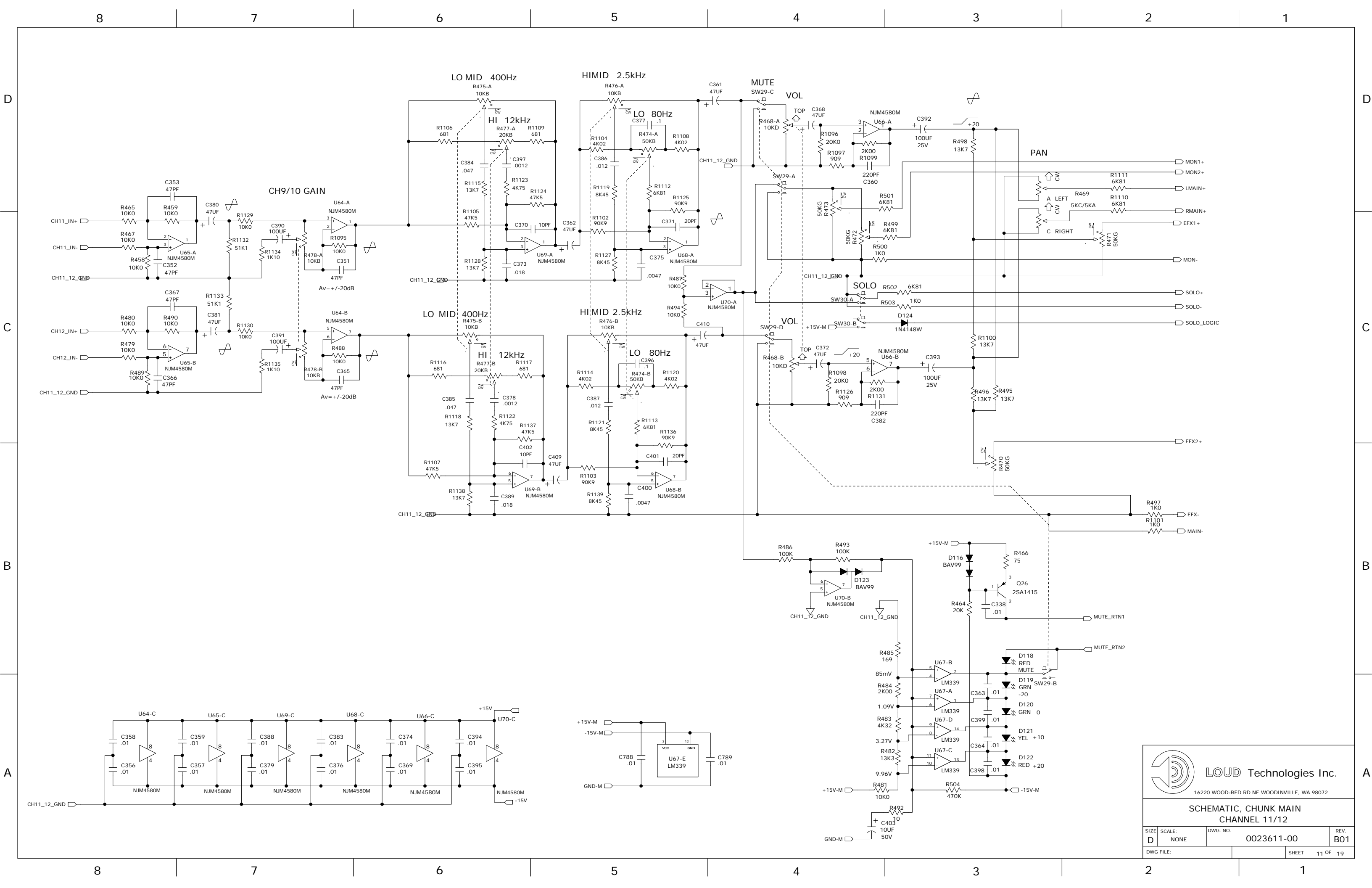
SIZE: D	SCALE: NONE	DWG. NO.: 0023611-00	REV. B01
DWG. FILE:		SHEET 9 OF 19	




LOUD Technologies Inc.
 16220 WOOD-RED RD NE WOODINVILLE, WA 98072

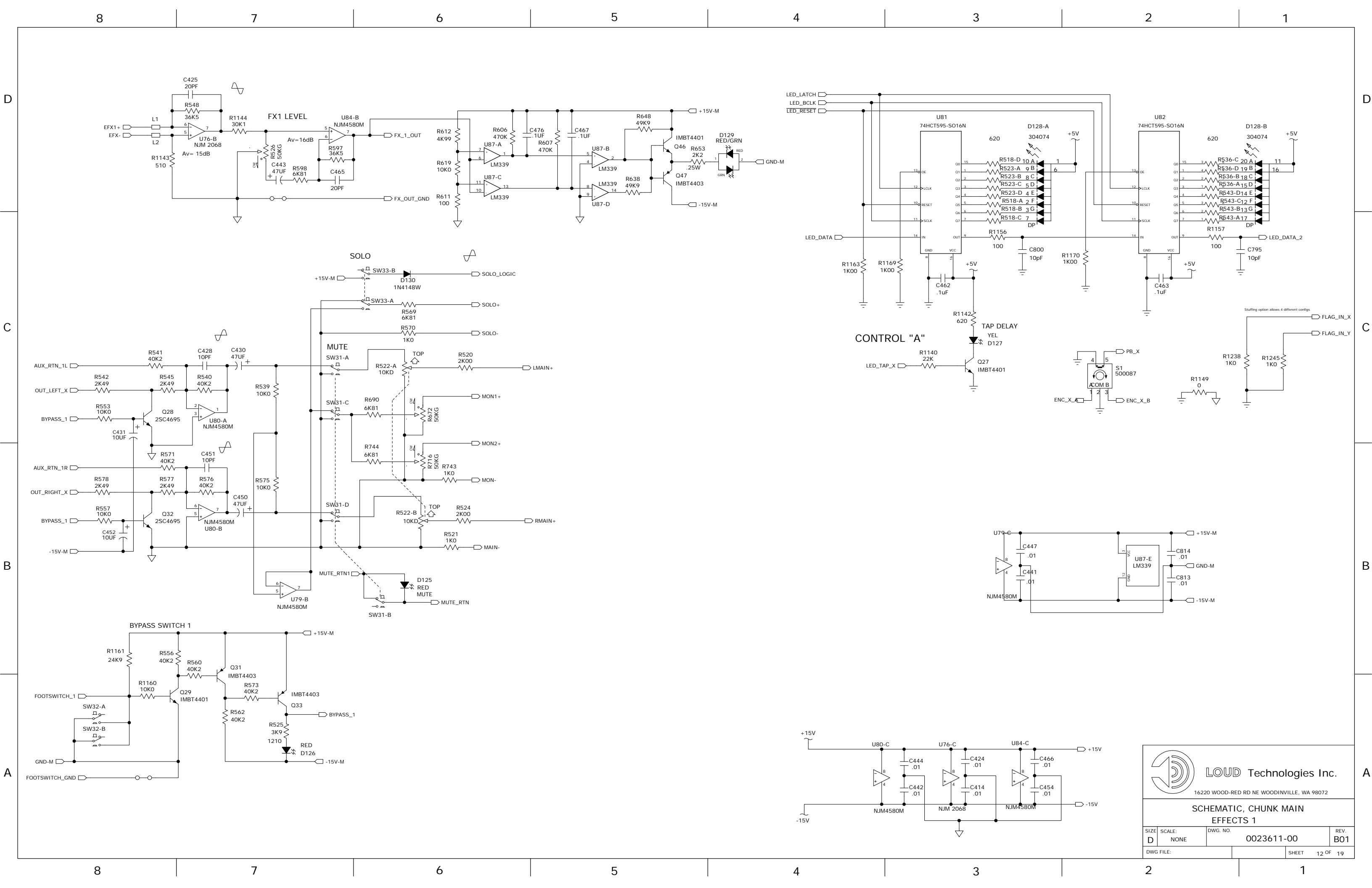
SCHEMATIC, CHUNK MAIN
CHANNEL 9/10

SIZE: D	SCALE: NONE	DWG. NO.: 0023611-00	REV. B01
DWG. FILE:		SHEET 10 OF 19	



SCHEMATIC, CHUNK MAIN
CHANNEL 11/12

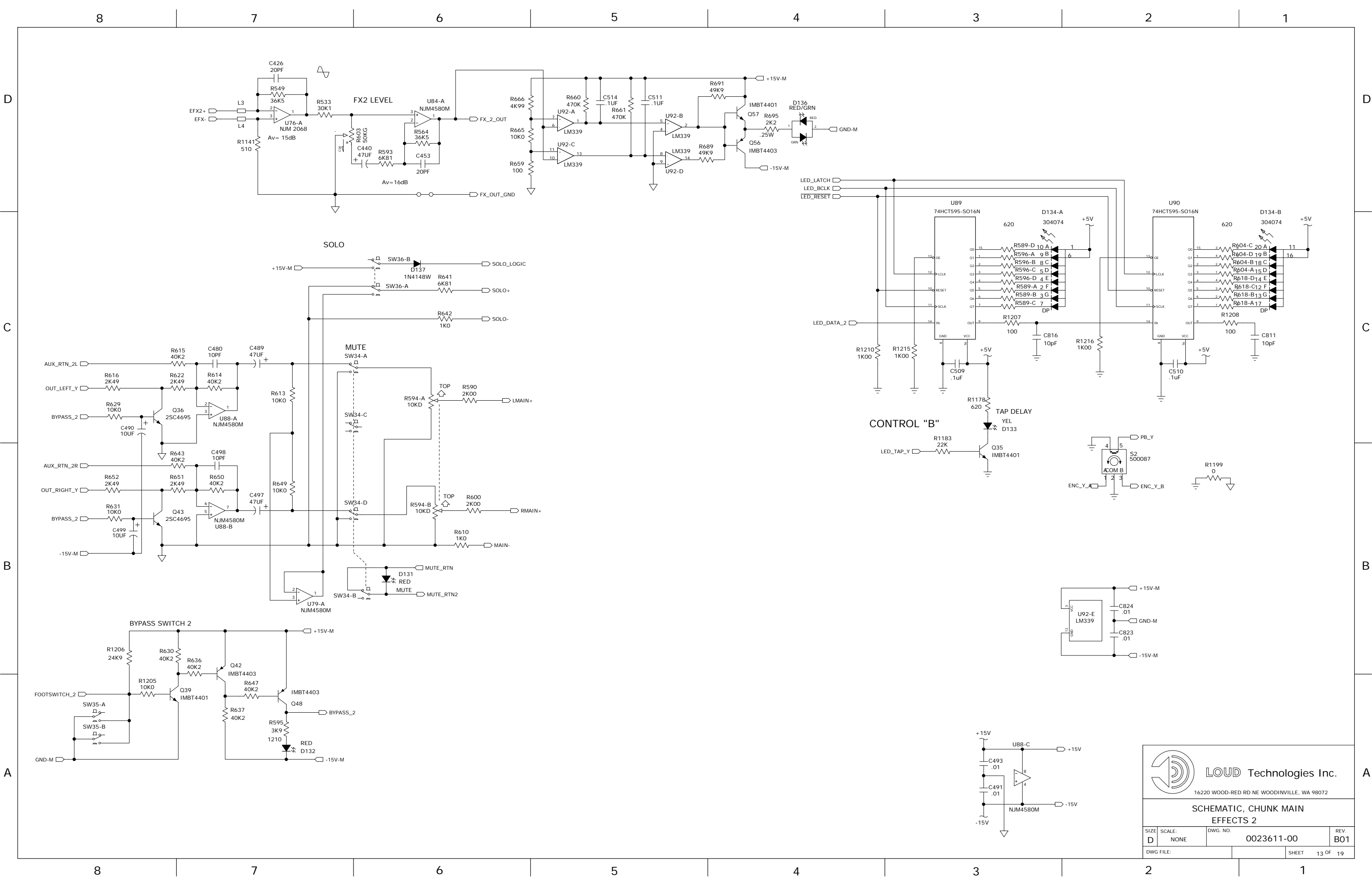
SIZE: D	SCALE: NONE	DWG. NO.: 0023611-00	REV. B01
DWG. FILE:		SHEET 11 OF 19	




LOUD Technologies Inc.
 16220 WOOD-RED RD NE WOODINVILLE, WA 98072

SCHEMATIC, CHUNK MAIN
EFFECTS 1

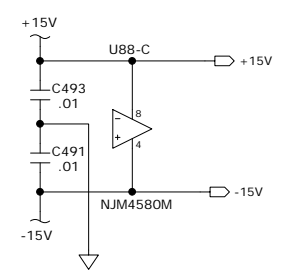
SIZE: D	SCALE: NONE	DWG. NO. 0023611-00	REV. B01
DWG. FILE:		SHEET 12 OF 19	

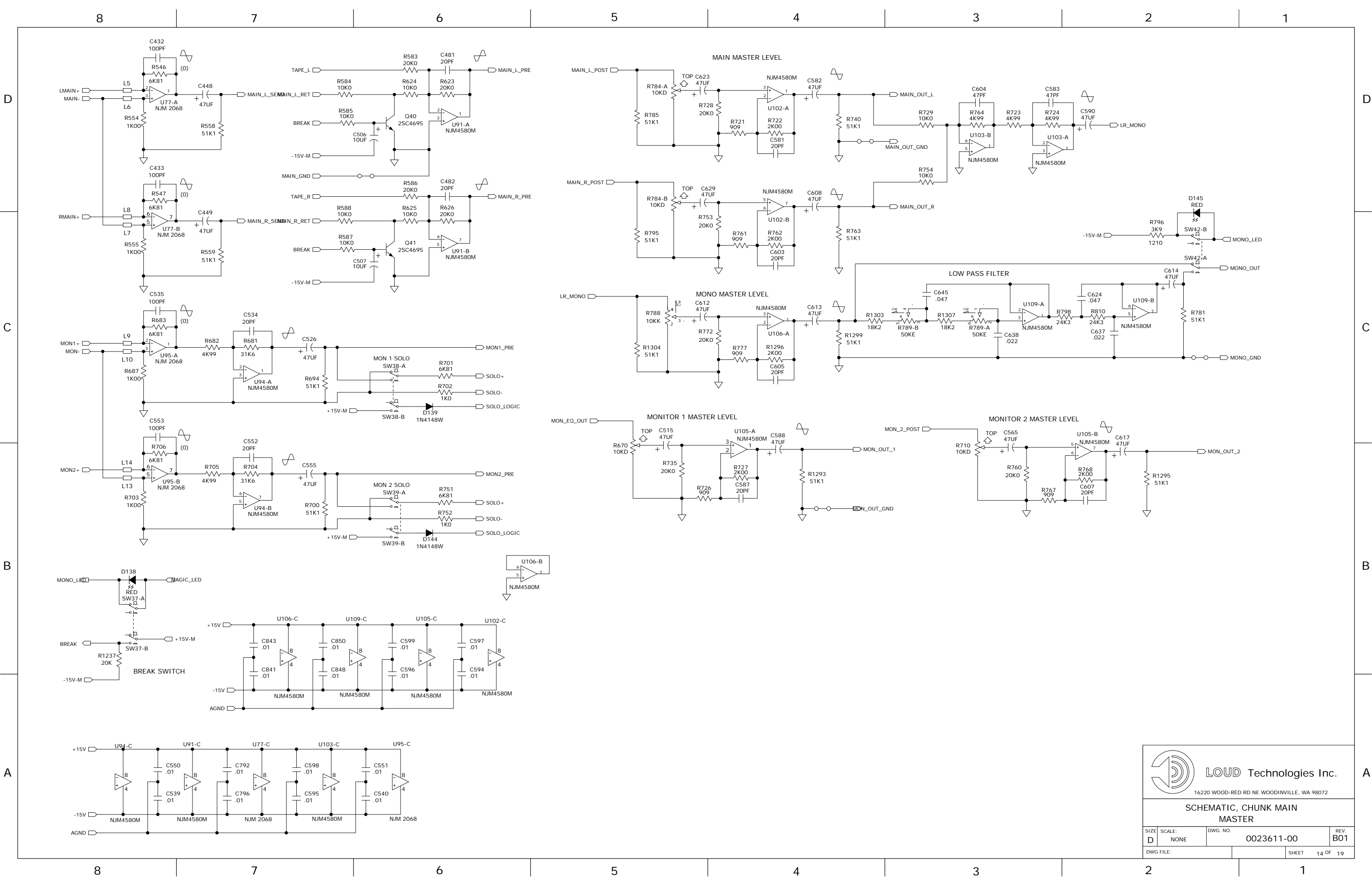




LOUD Technologies Inc.
 16220 WOOD-RED RD NE WOODINVILLE, WA 98072

SCHEMATIC, CHUNK MAIN
EFFECTS 2

SIZE: D	SCALE: NONE	DWG. NO.: 0023611-00	REV. B01
DWG. FILE:		SHEET 13 OF 19	



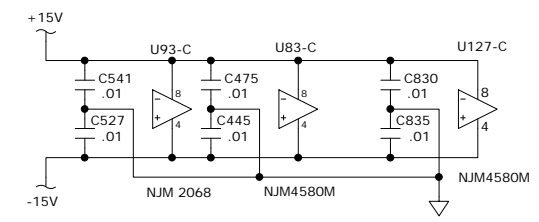
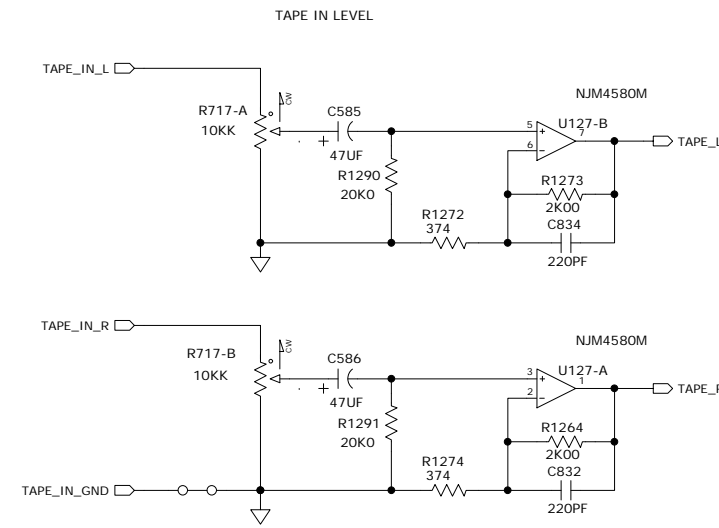
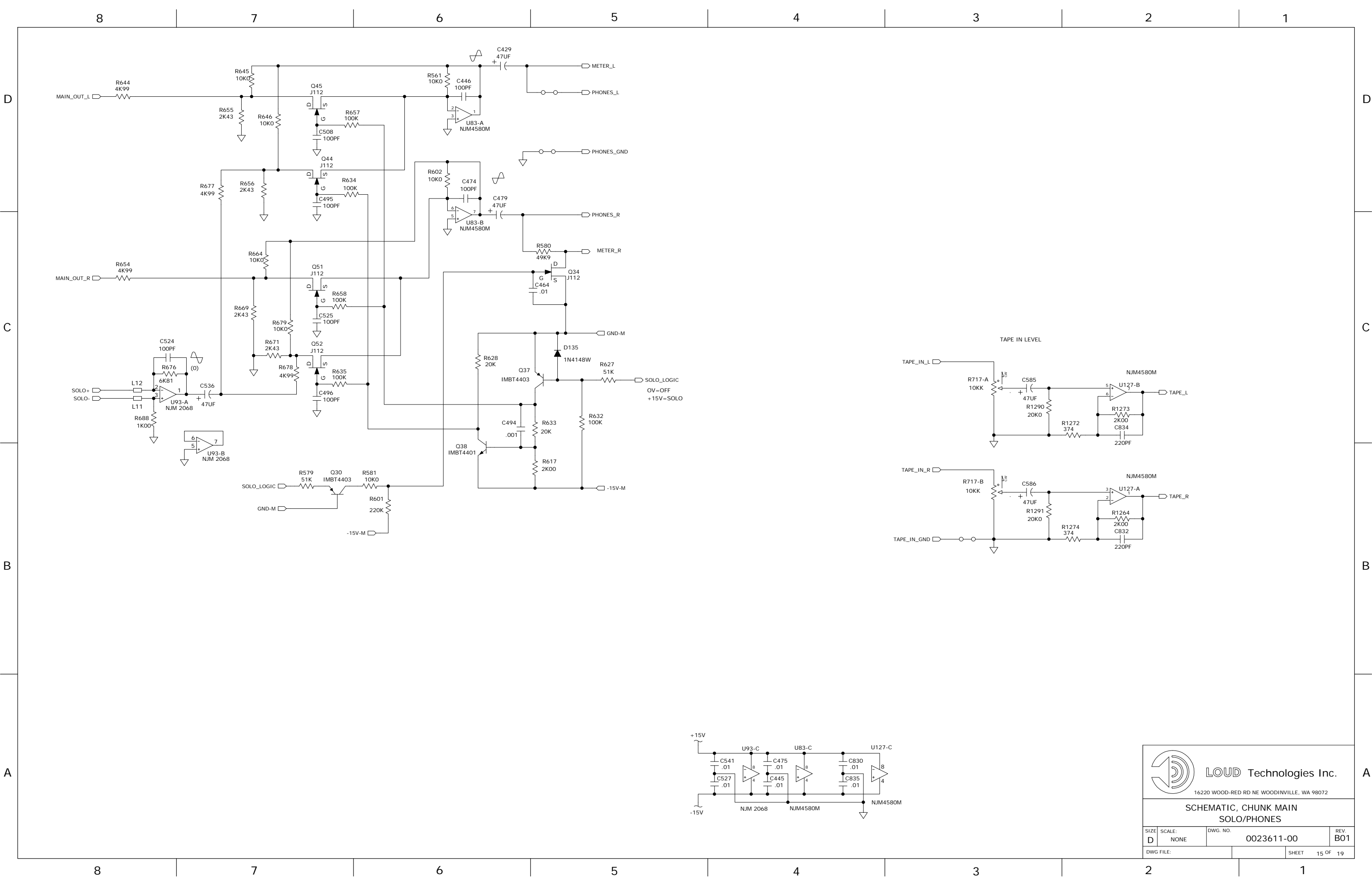





LOUD Technologies Inc.
16220 WOOD-RED RD NE WOODINVILLE, WA 98072

SCHEMATIC, CHUNK MAIN MASTER

SIZE: D	SCALE: NONE	DWG. NO.: 0023611-00	REV. B01
DWG. FILE:		SHEET 14 OF 19	

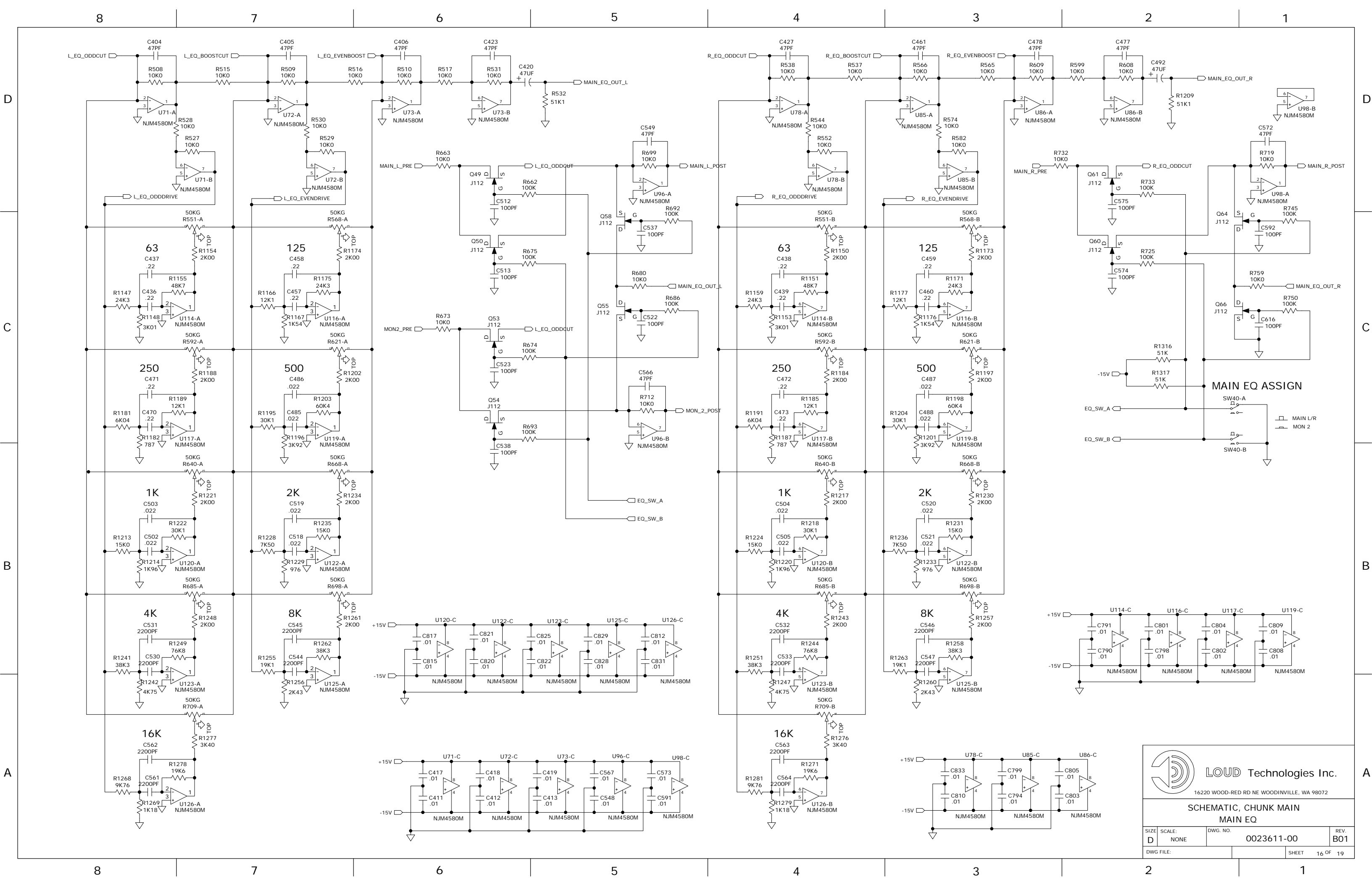





LOUD Technologies Inc.
16220 WOOD-RED RD NE WOODINVILLE, WA 98072

**SCHEMATIC, CHUNK MAIN
SOLO/PHONES**

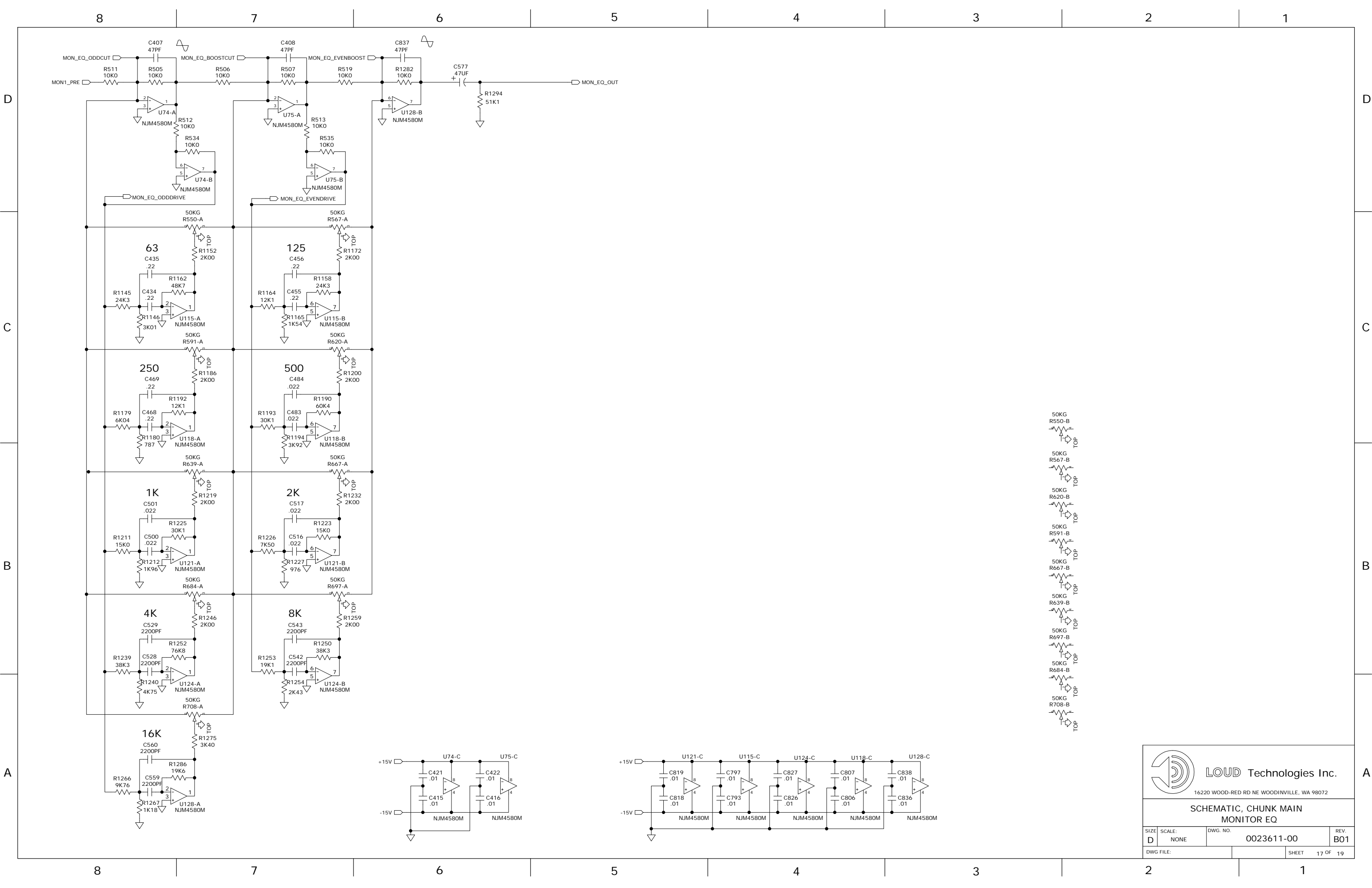
SIZE: D	SCALE: NONE	DWG. NO.: 0023611-00	REV. B01
DWG. FILE:		SHEET 15 OF 19	




LOUD Technologies Inc.
 16220 WOOD-RED RD NE WOODINVILLE, WA 98072

SCHEMATIC, CHUNK MAIN
MAIN EQ

SIZE: D	SCALE: NONE	DWG. NO.: 0023611-00	REV. B01
DWG. FILE:		SHEET 16 OF 19	

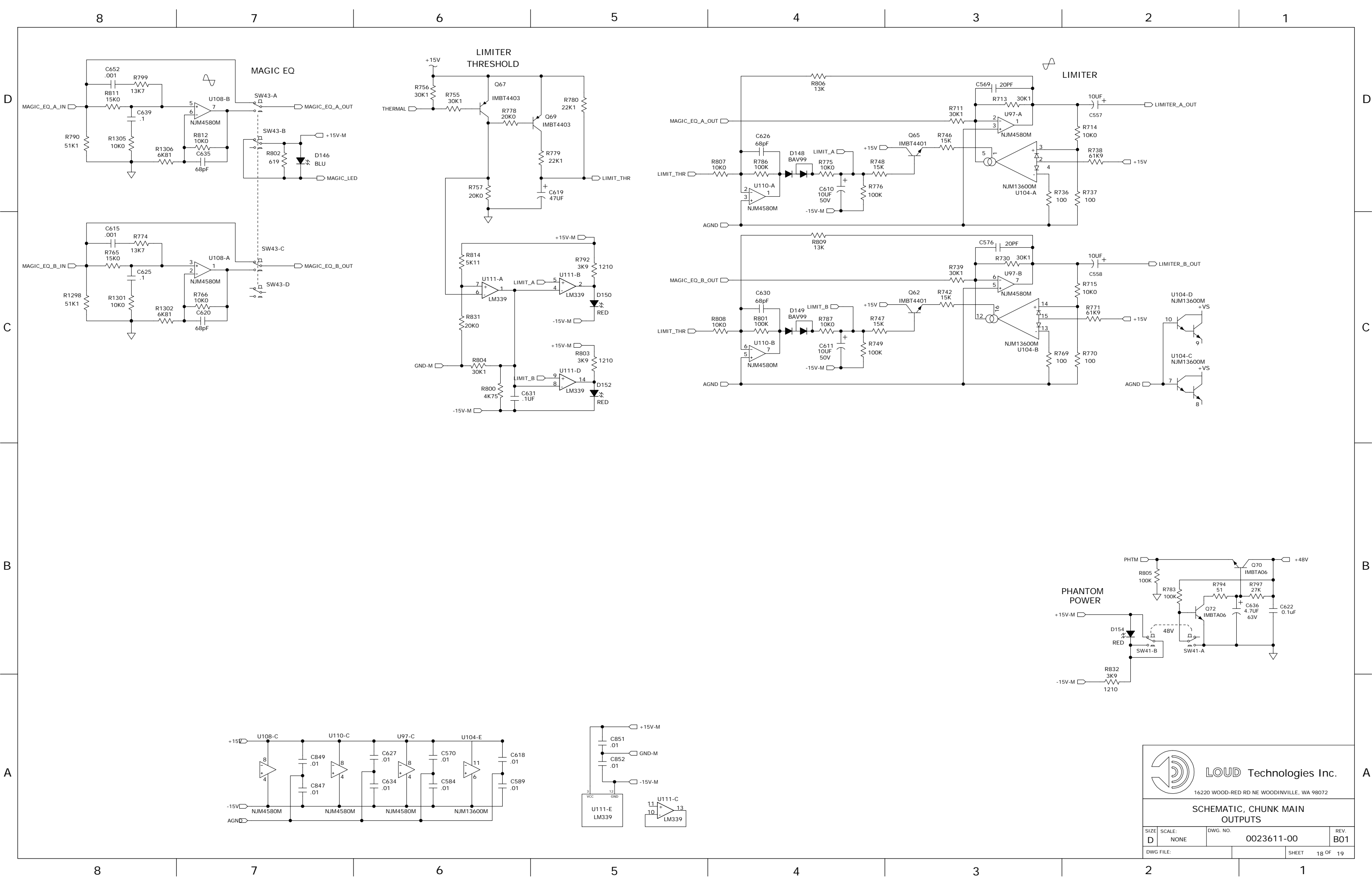


- 50KG R550-B
- 50KG R567-B
- 50KG R620-B
- 50KG R591-B
- 50KG R667-B
- 50KG R639-B
- 50KG R697-B
- 50KG R684-B
- 50KG R708-B

LOUD Technologies Inc.
16220 WOOD-RED RD NE WOODINVILLE, WA 98072

**SCHEMATIC, CHUNK MAIN
MONITOR EQ**

SIZE: D	SCALE: NONE	DWG. NO.: 0023611-00	REV. B01
DWG. FILE:		SHEET 17 OF 19	



**SCHEMATIC, CHUNK MAIN
OUTPUTS**

SIZE: D	SCALE: NONE	DWG. NO.: 0023611-00	REV. B01
DWG. FILE:		SHEET 18 OF 19	

D

C

B

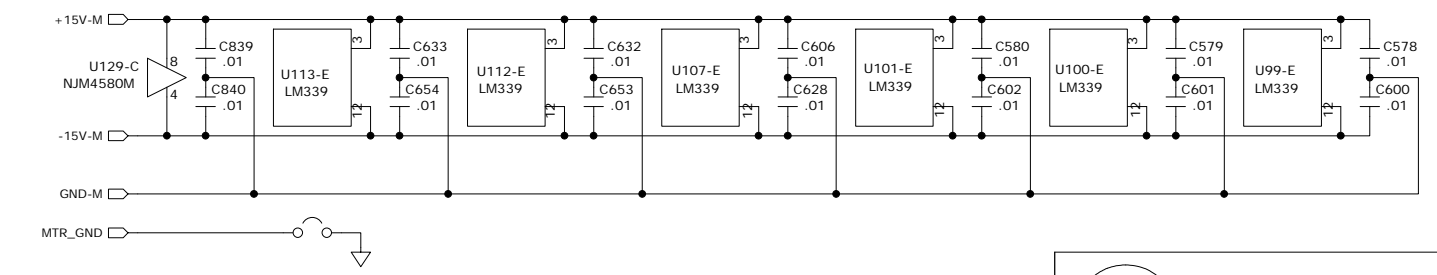
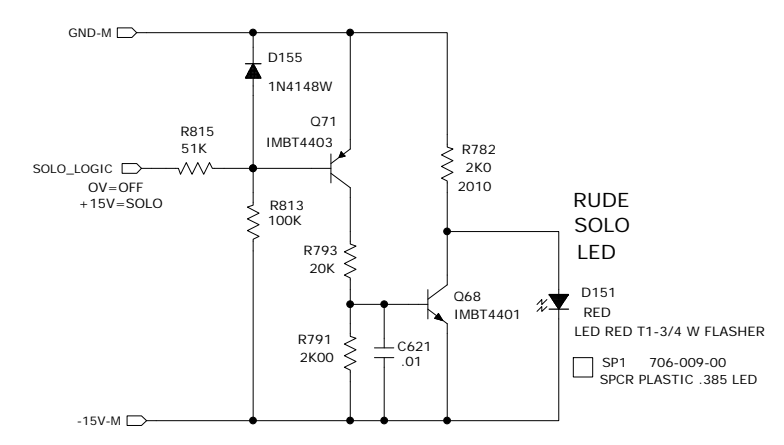
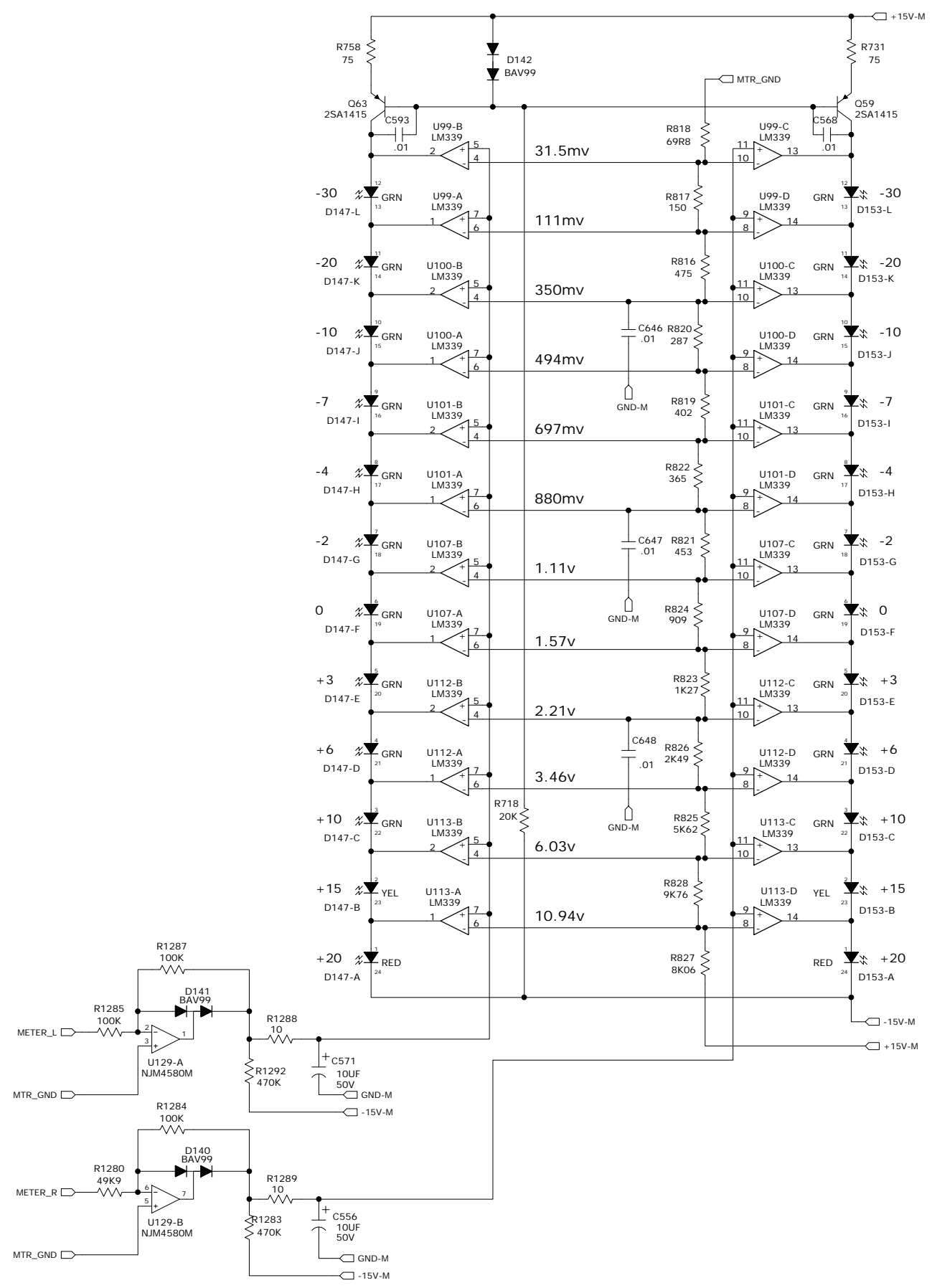
A

D

C

B

A



SCHEMATIC, CHUNK MAIN METERS

SIZE: D	SCALE: NONE	DWG. NO.: 0023611-00	REV. B01
DWG. FILE:		SHEET 19 OF 19	