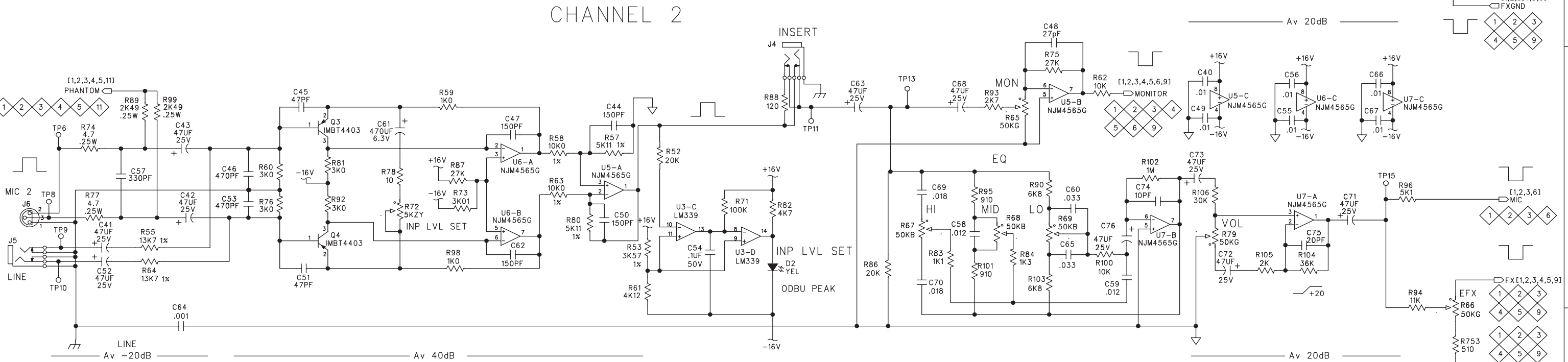
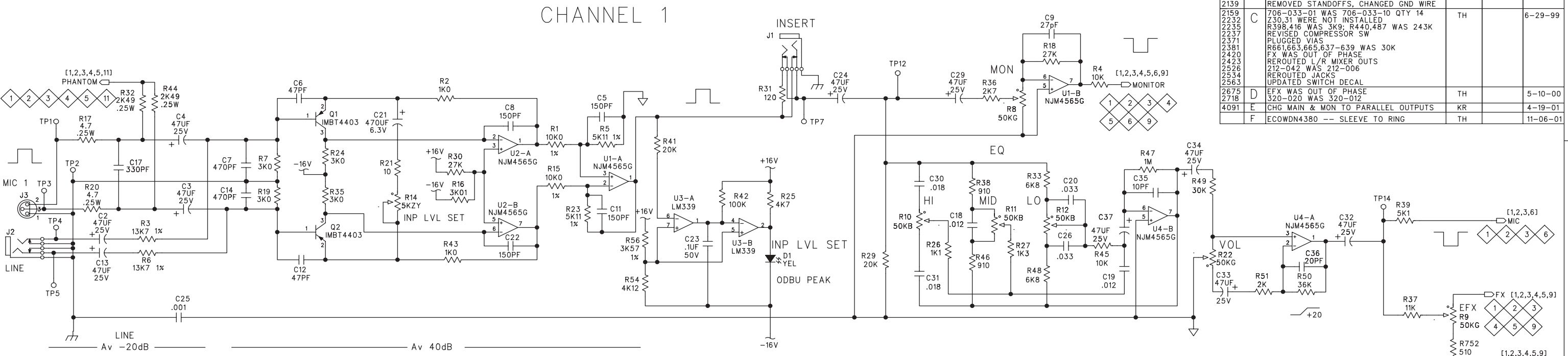
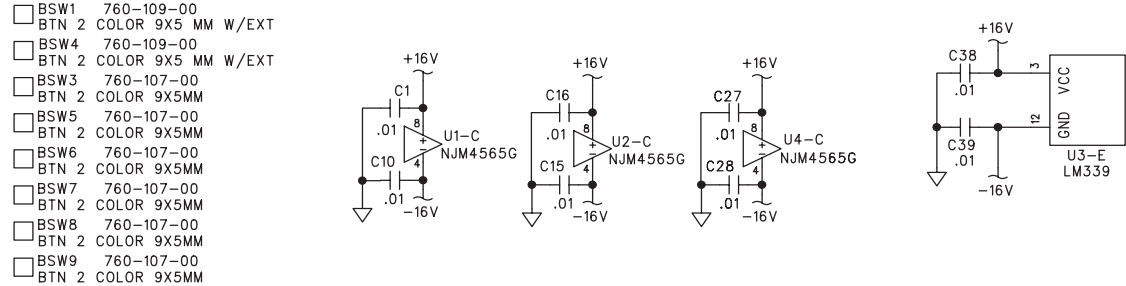


ECO#	REV.	DESCRIPTION	REV. BY:	APP. BY:	DATE
	A	RELEASE TO PRODUCTION	TH		11-20-98
2088	B	CANCELED	WG		
2089	B	CHANGED BUTTONS ON SW1,SW4	WG	CJ	1-12-99
2092	B	BYPASSED BREAK SW OSC			
2127	B	ENLARGED TEST POINTS			
2136	B	DEFEAT NORM ON AMP IN			
2139	B	REMOVED STANDOFFS, CHANGED GND WIRE			
2159	C	706-033-01 WAS 706-033-10 QTY 14	TH		6-29-99
2232	C	Z30,31 WERE NOT INSTALLED			
2235	C	R398,416 WAS 3K9; R440,487 WAS 243K			
2237	C	REVISED COMPRESSOR SW			
2371	C	PLUGGED VIAS			
2381	C	R661,663,665,637-639 WAS 30K			
2420	C	FX WAS OUT OF PHASE			
2423	C	REROUTED L/R MIXER OUTS			
2526	C	212-042 WAS 212-006			
2534	C	REROUTED JACKS			
2563	C	UPDATED SWITCH DECAL			
2675	D	EFX WAS OUT OF PHASE	TH		5-10-00
2718	D	320-020 WAS 320-012			
4091	E	CHG MAIN & MON TO PARALLEL OUTPUTS	KR		4-19-01
	F	ECOWDN4380 -- SLEEVE TO RING	TH		11-06-01

Note that an important change has occurred in this revision. See page 11.



- H1 706-033-01 STDF SWAGE NO.4 X .542L F
- H2 706-033-01 STDF SWAGE NO.4 X .542L F
- H3 706-033-01 STDF SWAGE NO.4 X .542L F
- H4 706-033-01 STDF SWAGE NO.4 X .542L F
- H5 706-033-01 STDF SWAGE NO.4 X .542L F
- H6 706-033-01 STDF SWAGE NO.4 X .542L F
- H7 706-033-01 STDF SWAGE NO.4 X .542L F
- H8 706-033-01 STDF SWAGE NO.4 X .542L F
- H9 706-038-00 STDF NO.4 X .250L
- H10 706-038-00 STDF NO.4 X .250L
- H11 706-038-00 STDF NO.4 X .250L
- H12 706-038-00 STDF NO.4 X .250L
- Z100 450-205-00 PCB, MIXER BOARD 408M/808M



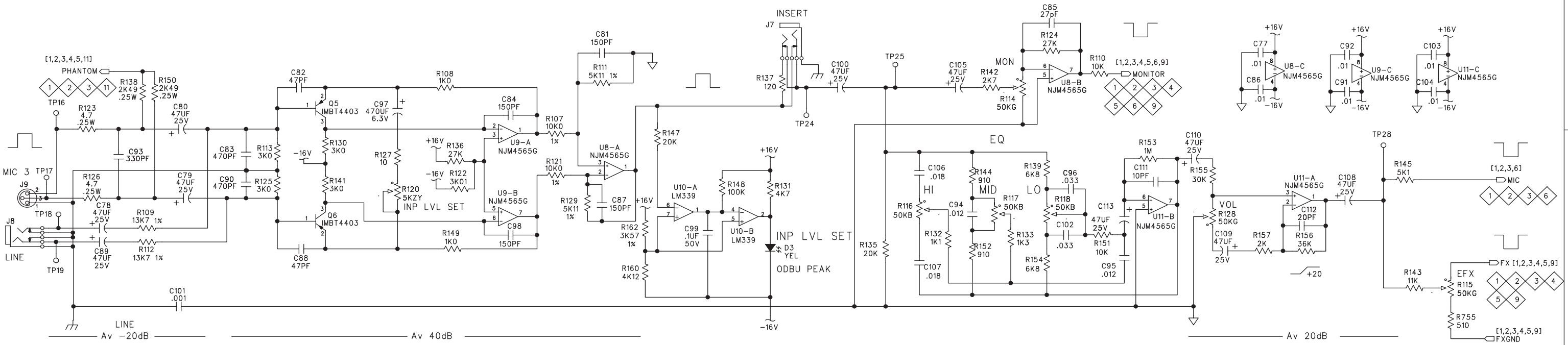
APPROVALS	DATE
DRAWN: trh	4-1-98
CHECKED:	
NP ENG: CJ	11-23-98
MATERIAL:	
MFG:	
MFG ENG: C BAKER	1-14-99
ISSUED: LEIGH	11-23-98

MACKIE
Mackie Designs Inc. Woodinville, Wa.

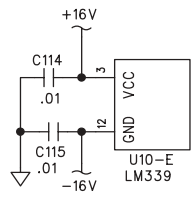
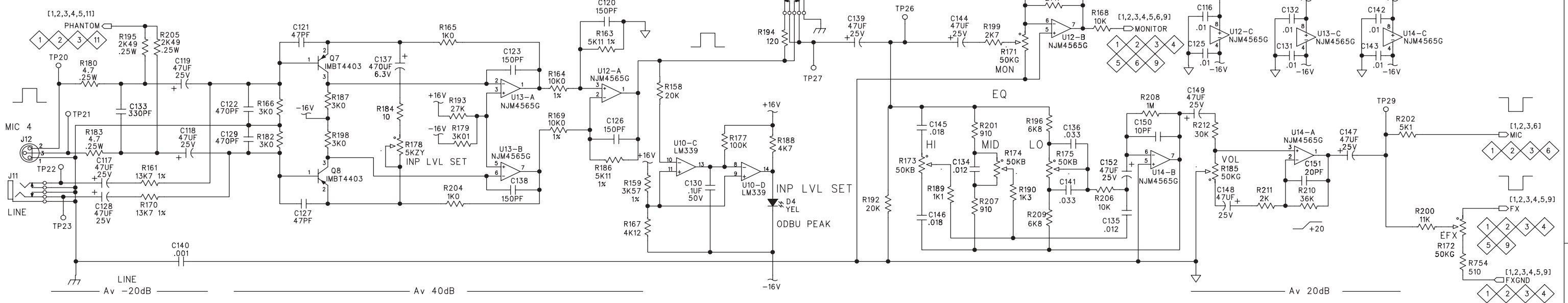
SCHMATIC, MIXER BOARD 408M/808M
MIC CHANNELS 1 & 2

SIZE: D SCALE: NONE DWG. NO. 990-205-04 REV. F
DWG FILE: SHEET 1 OF 11

CHANNEL 3



CHANNEL 4



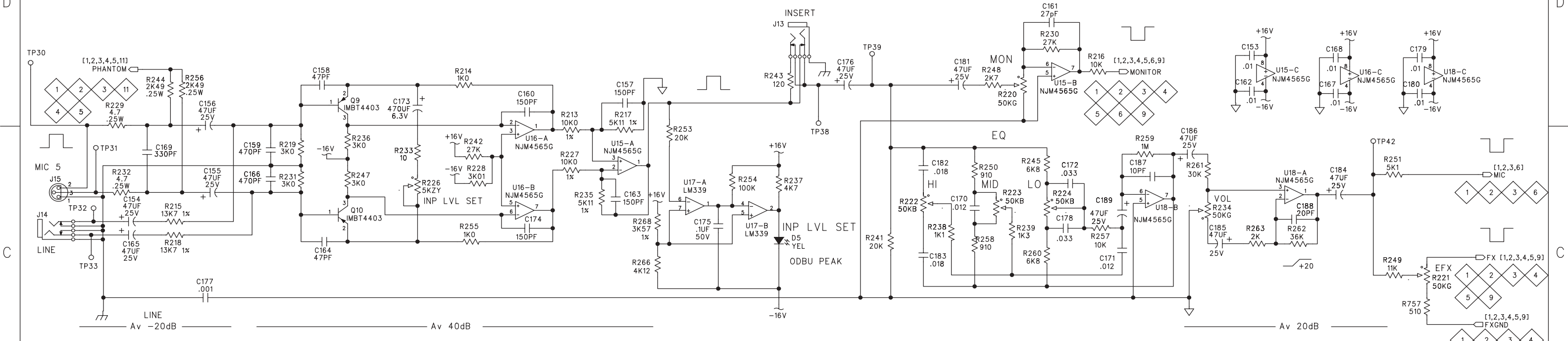
UNLESS OTHERWISE SPECIFIED DIMENSIONS ARE IN INCHES TOLERANCES ARE: FRACTIONS: DECIMALS: ANGLES: ±NA .XX ±.01 ±MA .XXX ±.005	APPROVALS	DATE
	DRAWN: trh	4-1-98
	CHECKED:	
	NP ENG:	
MATERIAL:	MATERIAL:	
SEE NOTES	MFG:	
FINISH:	MFG ENG:	
SEE NOTES	ISSUED:	
DO NOT SCALE DRAWING		

MACKIE
Mackie Designs Inc. Woodinville, Wa.

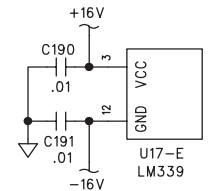
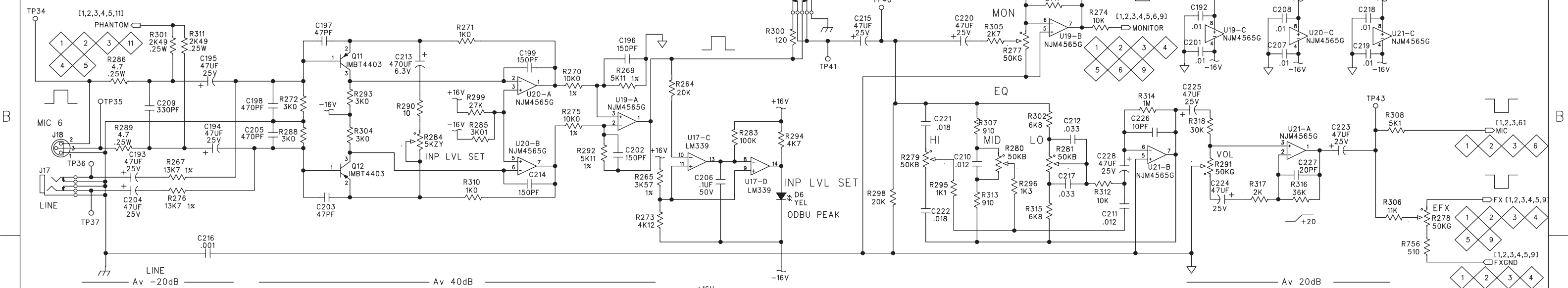
SCHMATIC, MIXER BOARD 408M/808M
MIC CHANNELS 3 & 4

SIZE D	SCALE NONE	DWG. NO. 990-205-04	REV. F
DWG FILE:		SHEET 2 OF 11	

CHANNEL 5



CHANNEL 6



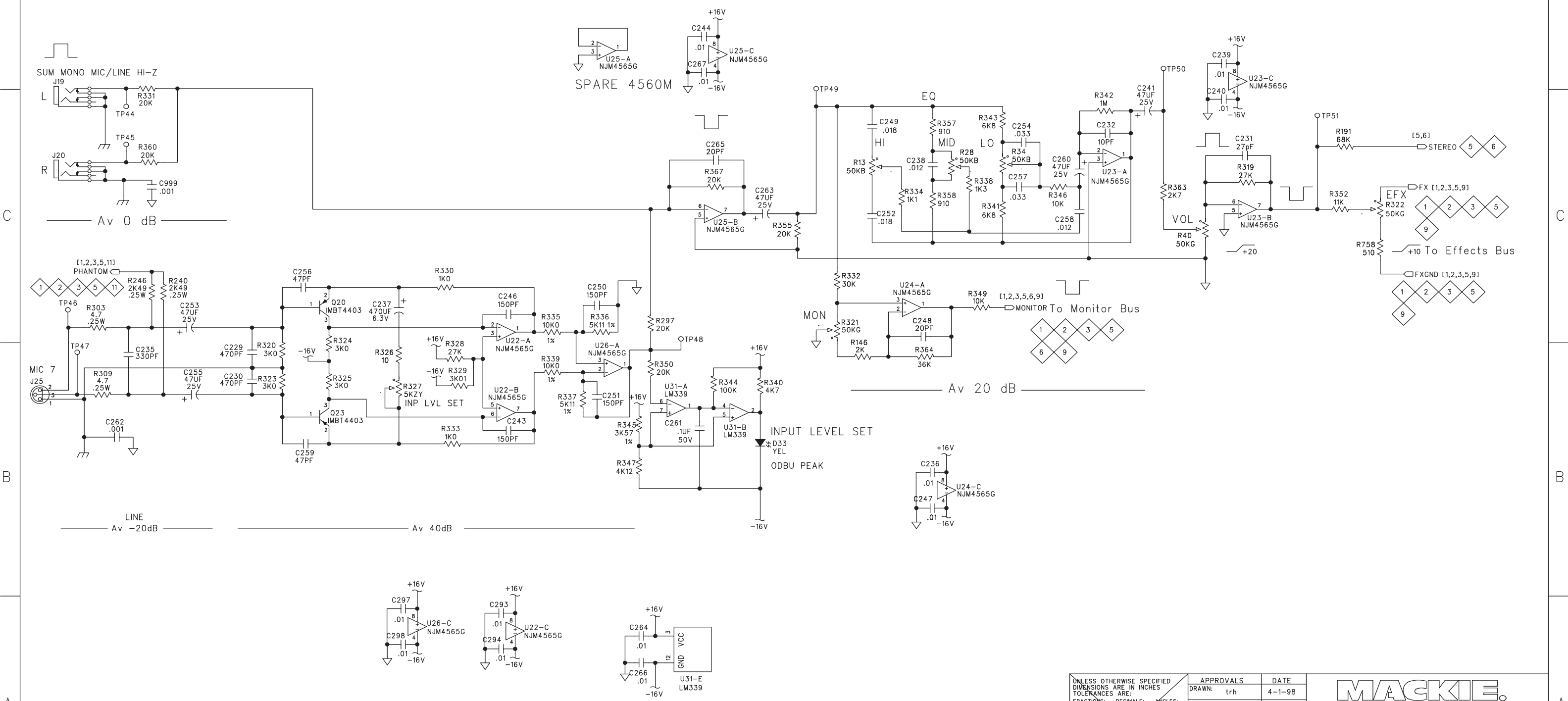
UNLESS OTHERWISE SPECIFIED DIMENSIONS ARE IN INCHES TOLERANCES ARE: FRACTIONS: DECIMALS: ANGLES: ±NA .XX ±.01 ±MA .XXX ±.005	APPROVALS	DATE
	DRAWN: trh	4-1-98
	CHECKED:	
	NP ENG:	
MATERIAL:	MATERIAL:	
FINISH:	MFG:	
DO NOT SCALE DRAWING	MFG ENG:	
	ISSUED:	

MACKIE
Mackie Designs Inc. Woodinville, Wa.

SCHMATIC, MIXER BOARD 408M/808M
MIC CHANNELS 5 & 6

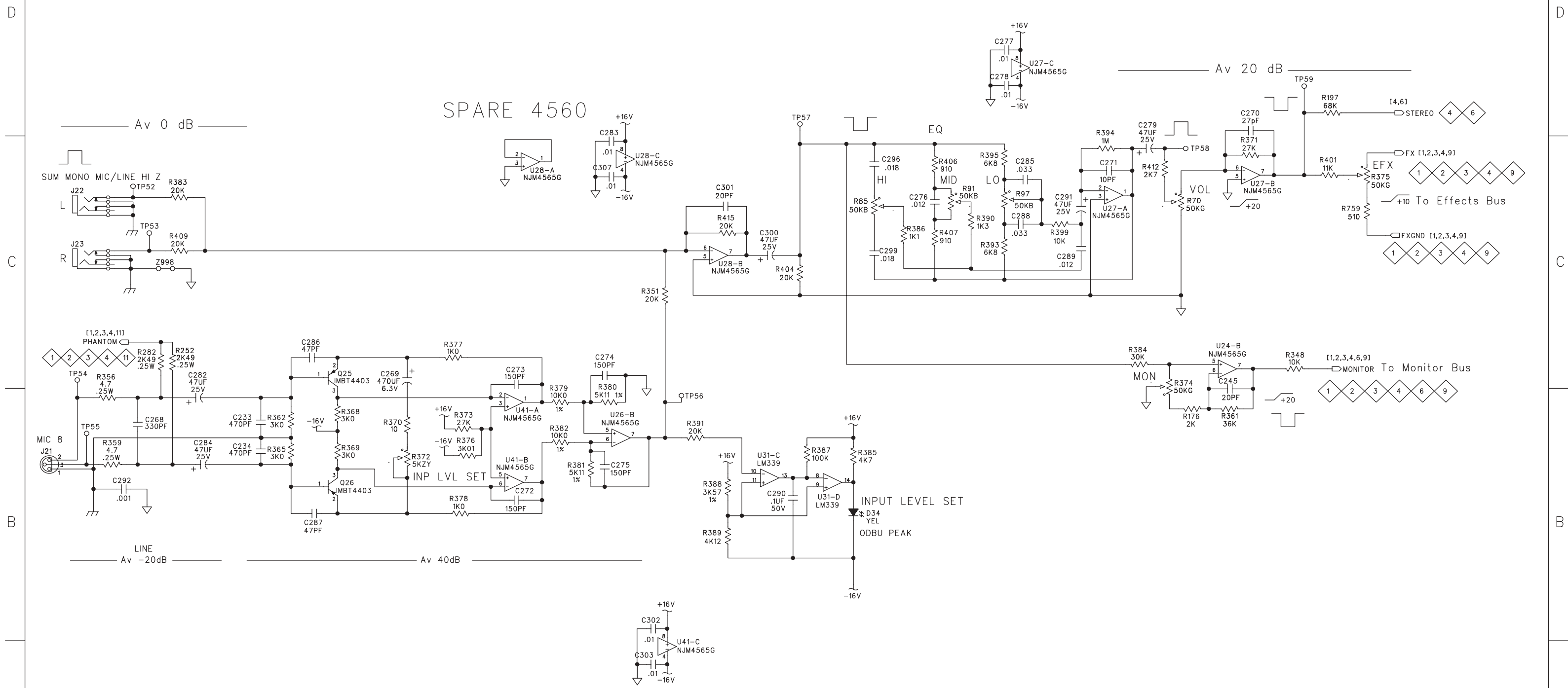
SIZE D	SCALE NONE	DWG. NO. 990-205-04	REV. F
DWG FILE:		SHEET 3 OF 11	

CHANNEL 7

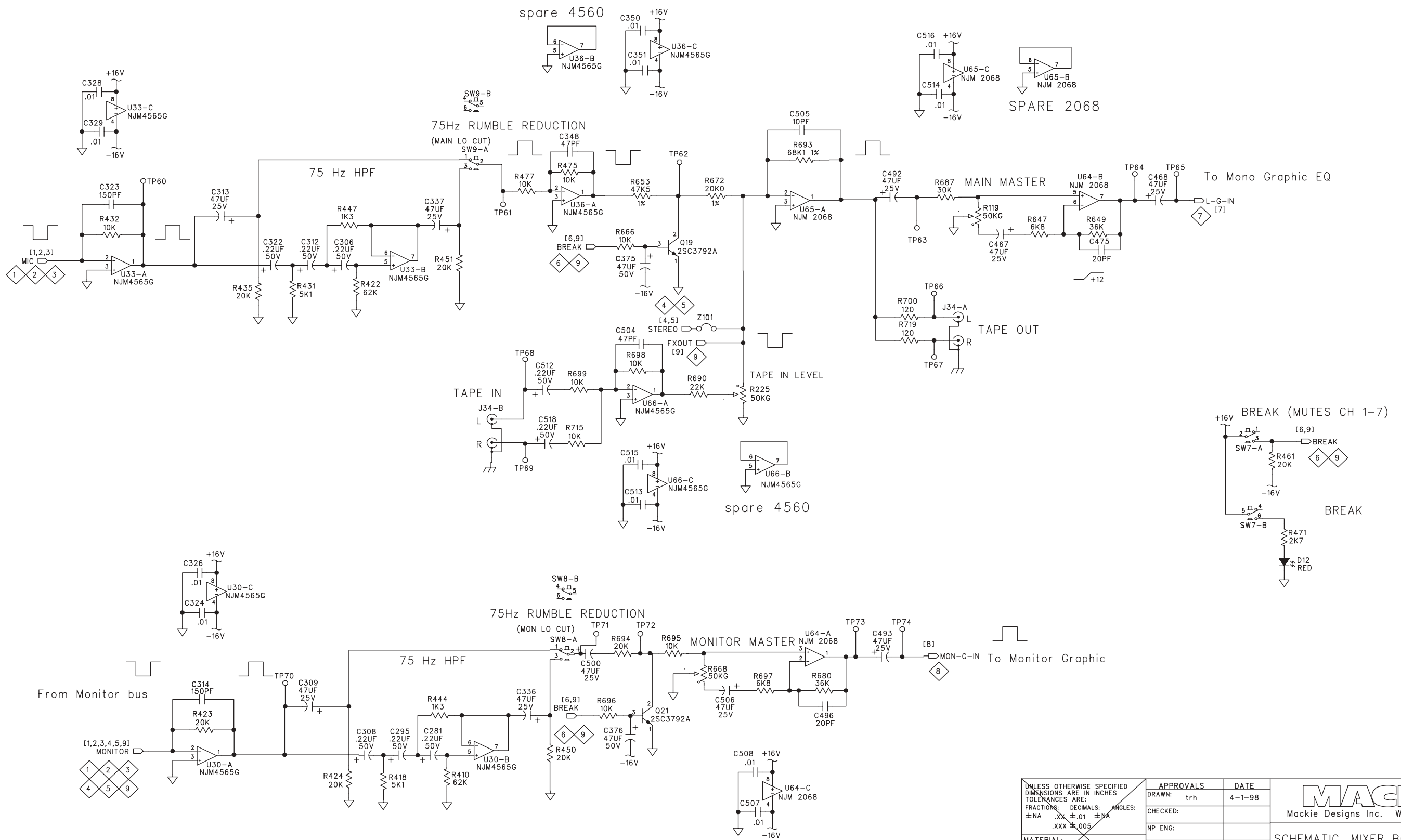


UNLESS OTHERWISE SPECIFIED DIMENSIONS ARE IN INCHES TOLERANCES ARE: FRACTIONS: DECIMALS: ANGLES: ±NA .XX ±.01 ±MA .XXX ±.005	APPROVALS	DATE	 Mackie Designs Inc. Woodinville, Wa.
	DRAWN: trh	4-1-98	
MATERIAL: SEE NOTES	CHECKED:		SCHEMATIC, MIXER BOARD 408M/808M MIC/LINE CHANNEL 7
	NP ENG:		
FINISH: SEE NOTES	MATERIAL:		SIZE: D SCALE: NONE DWG. NO. 990-205-04 REV. F
	MFG:		
DO NOT SCALE DRAWING	MFG ENG:		DWG. NO. 990-205-04 REV. F
	ISSUED:		DWG. FILE: SHEET 4 OF 11

CHANNEL 8



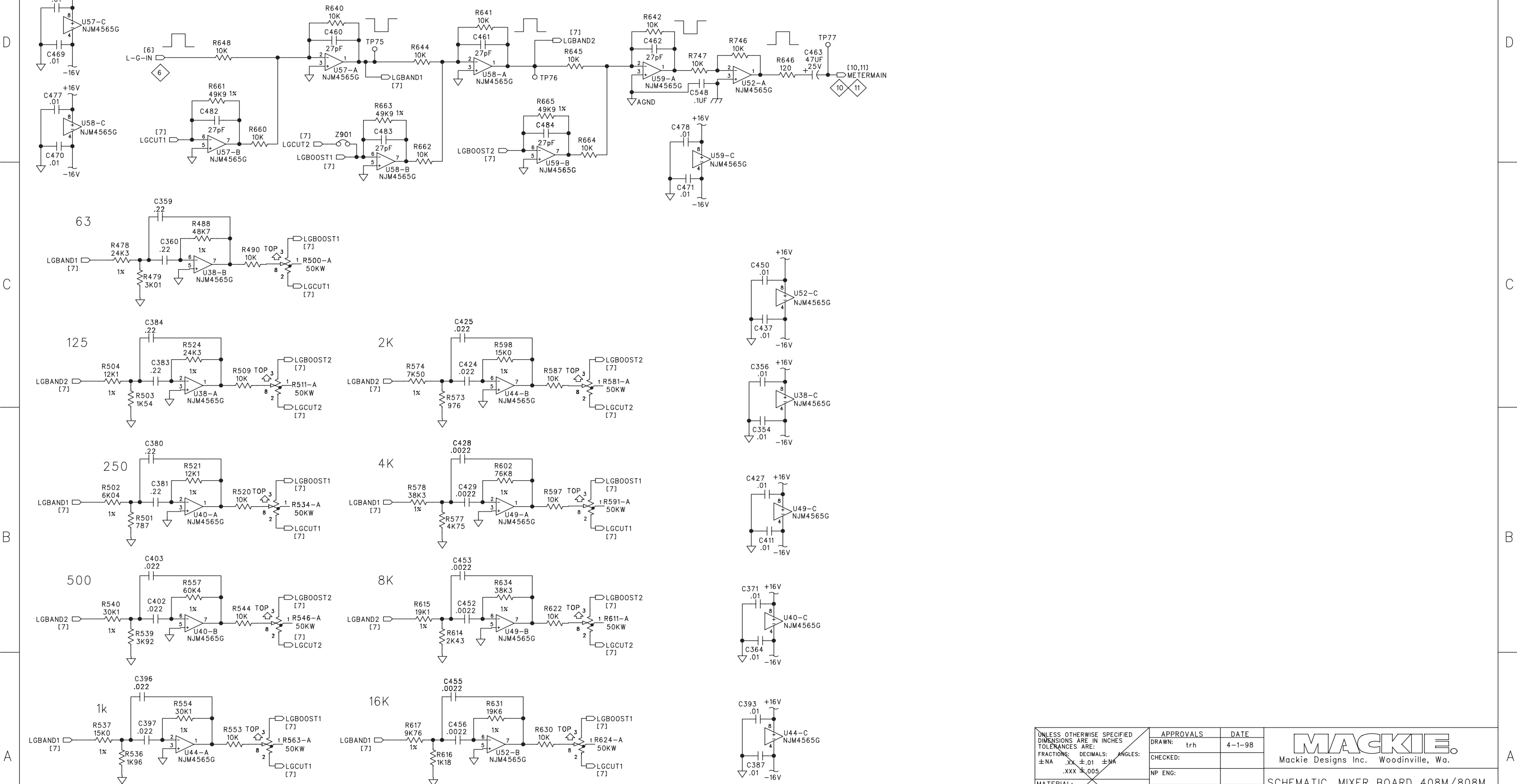
UNLESS OTHERWISE SPECIFIED DIMENSIONS ARE IN INCHES TOLERANCES ARE: FRACTIONS: DECIMALS: ANGLES: ±NA .XX ±.01 ±MA .XXX ±.005	APPROVALS	DATE	 Mackie Designs Inc. Woodinville, Wa.
	DRAWN: trh	4-1-98	
MATERIAL: SEE NOTES	CHECKED:	NP ENG:	SCHEMATIC, MIXER BOARD 408M/808M MIC/LINE CHANNEL 8
FINISH: SEE NOTES	MATERIAL:	MFG:	
DO NOT SCALE DRAWING	MFG ENG:	ISSUED:	SIZE D SCALE: NONE DWG. NO. 990-205-04 REV. F DWG FILE: SHEET 5 OF 11



UNLESS OTHERWISE SPECIFIED DIMENSIONS ARE IN INCHES TOLERANCES ARE: FRACTIONS: DECIMALS: ANGLES: ±NA .XX ±.01 ±MA .XXX ±.005	APPROVALS	DATE	 Mackie Designs Inc. Woodinville, Wa.
	DRAWN: trh	4-1-98	
	CHECKED:		
	NP ENG:		
MATERIAL:	MATERIAL:		SCHEMATIC, MIXER BOARD 408M/808M SUMMING SECTION
SEE NOTES	MFG:		
FINISH:	MFG ENG:		
DO NOT SCALE DRAWING	ISSUED:		SIZE: D SCALE: NONE DWG. NO. 990-205-04 REV. F DWG FILE: SHEET 6 OF 11

ECO#	REV:	DESCRIPTION	REV. BY:	APP. BY:	DATE
------	------	-------------	----------	----------	------

MONO GRAPHIC



UNLESS OTHERWISE SPECIFIED DIMENSIONS ARE IN INCHES TOLERANCES ARE: FRACTIONS: DECIMALS: ANGLES: ±NA .XX ±.01 ±MA .XXX ±.005	APPROVALS	DATE	 Mackie Designs Inc. Woodinville, Wa.
	DRAWN: trh	4-1-98	
MATERIAL:	MATERIAL:		SCHEMATIC, MIXER BOARD 408M/808M MONO GRAPHIC
SEE NOTES	MFG:		
FINISH:	MFG ENG:		SIZE: D SCALE: NONE DWG. NO. 990-205-04 REV. F
DO NOT SCALE DRAWING	ISSUED:		DWG FILE: SHEET 7 OF 11

MONITOR GRAPHIC

D

D

C

C

B

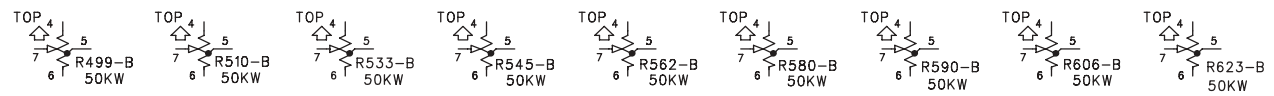
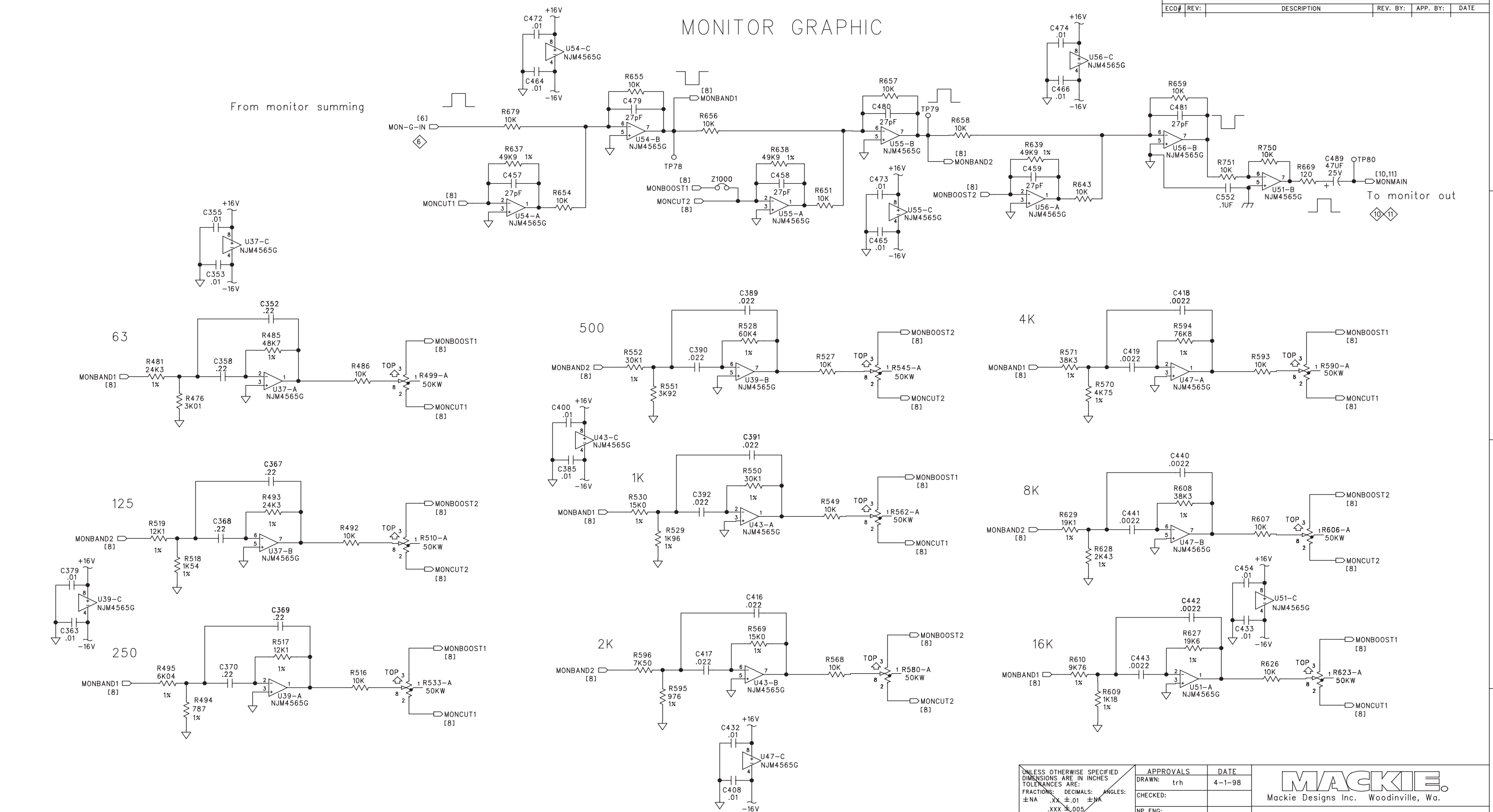
B

A

A

From monitor summing

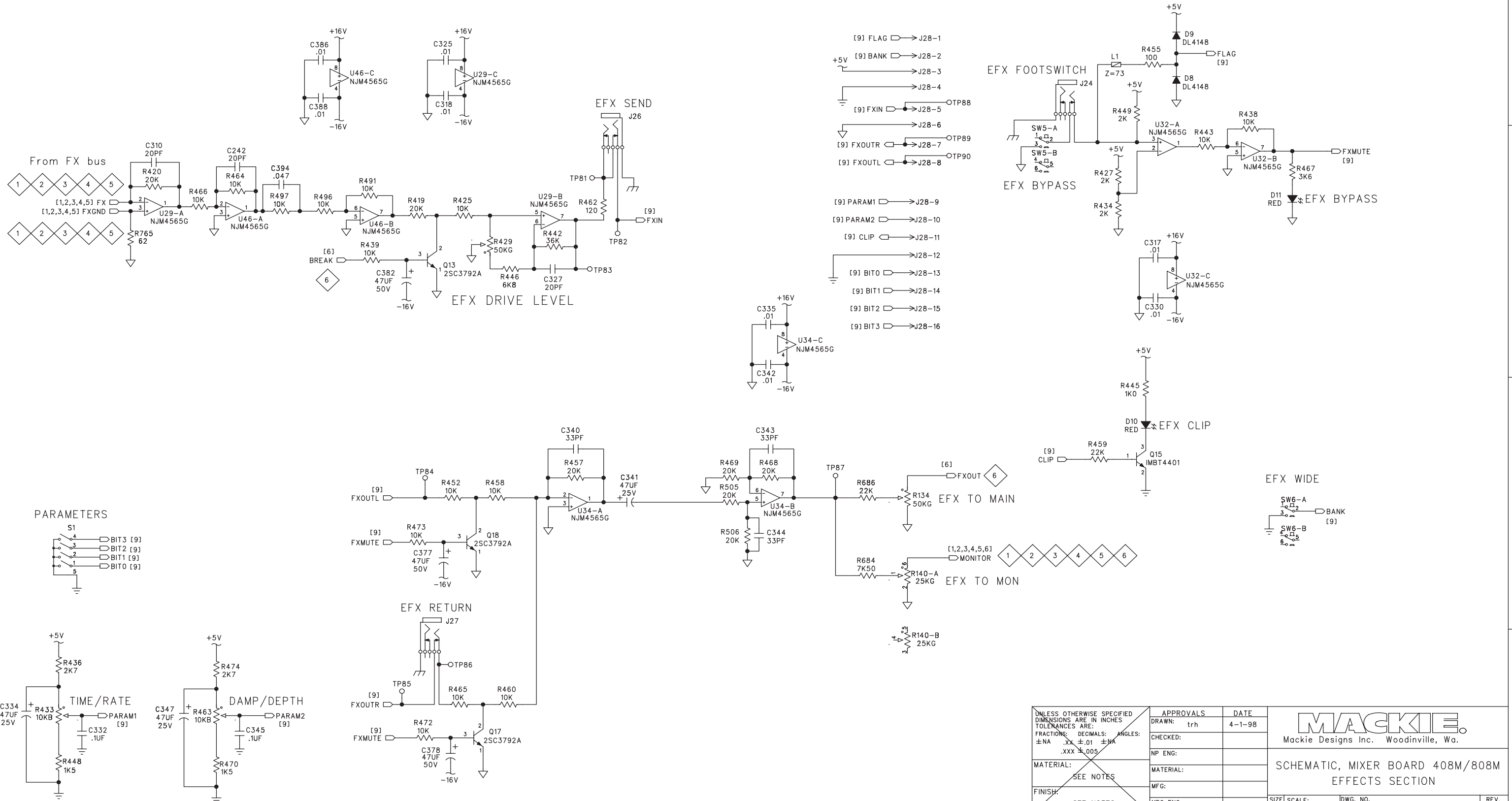
To monitor out



UNLESS OTHERWISE SPECIFIED DIMENSIONS ARE IN INCHES TOLERANCES ARE: FRACTIONS: DECIMALS: ANGLES: ±NA .XX ±.01 ±MA .XXX ±.005	APPROVALS	DATE
	DRAWN: trh	4-1-98
MATERIAL: SEE NOTES	CHECKED:	
	NP ENG:	
FINISH: SEE NOTES	MATERIAL:	
	MFG:	
DO NOT SCALE DRAWING	MFG ENG:	
	ISSUED:	

MACKIE Mackie Designs Inc. Woodinville, Wa.	
SCHEMATIC, MIXER BOARD 408M/808M MONITOR GRAPHIC	
SIZE: D	SCALE: NONE
DWG. NO. 990-205-04	REV. F
DWG. FILE:	SHEET 8 OF 11

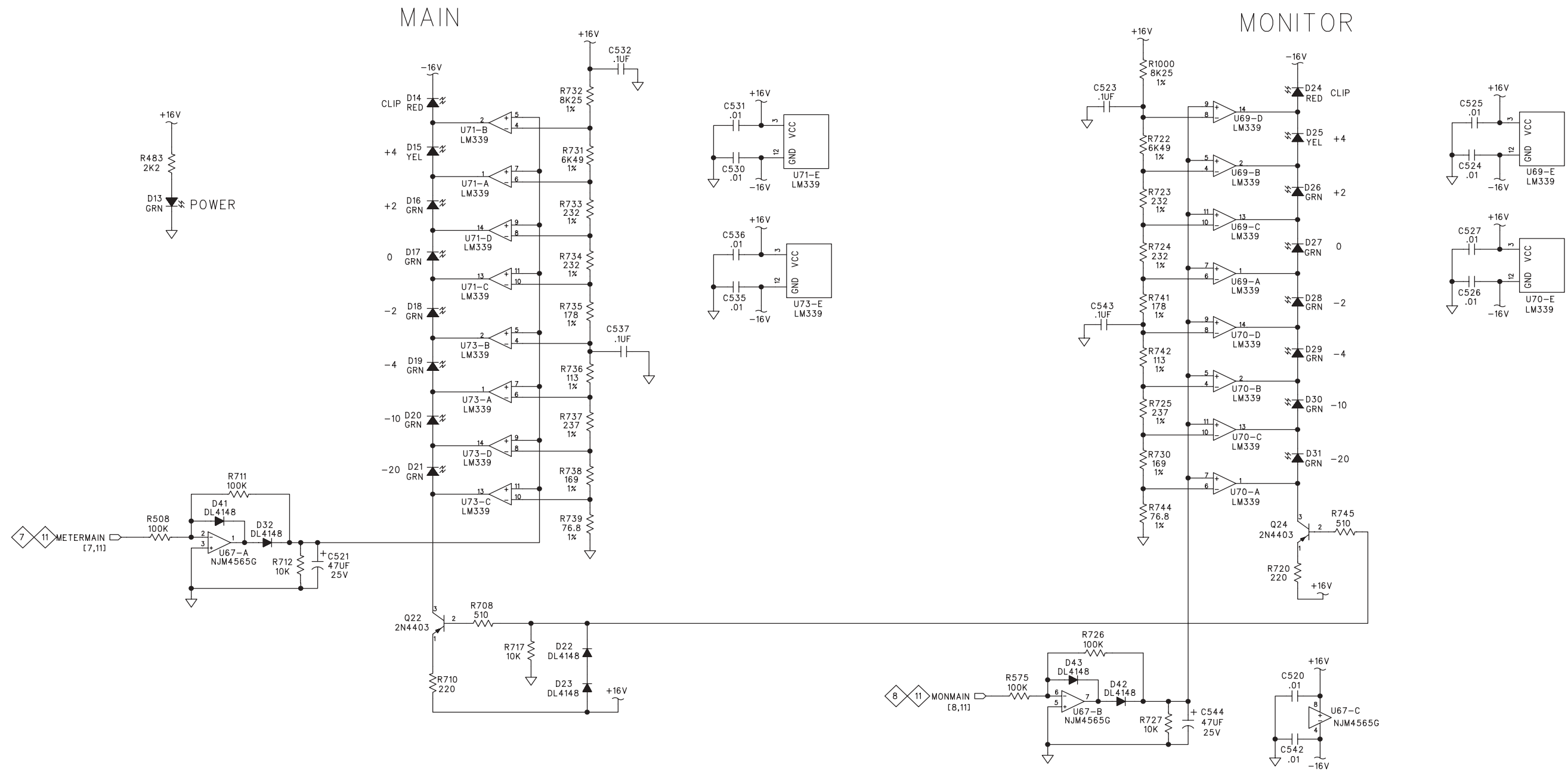
D
C
B
A



UNLESS OTHERWISE SPECIFIED DIMENSIONS ARE IN INCHES TOLERANCES ARE: FRACTIONS: DECIMALS: ANGLES: ±NA .XX ±.01 ±NA .XXX ±.005	APPROVALS	DATE	MACKIE Mackie Designs Inc. Woodinville, Wa.
	DRAWN: trh	4-1-98	
MATERIAL: SEE NOTES	MATERIAL:		SCHEMATIC, MIXER BOARD 408M/808M EFFECTS SECTION
FINISH: SEE NOTES	MFG:		
DO NOT SCALE DRAWING	ISSUED:		SIZE: D SCALE: NONE DWG. NO. 990-205-04 REV. F
			DWG FILE: SHEET 9 OF 11

D
C
B
A

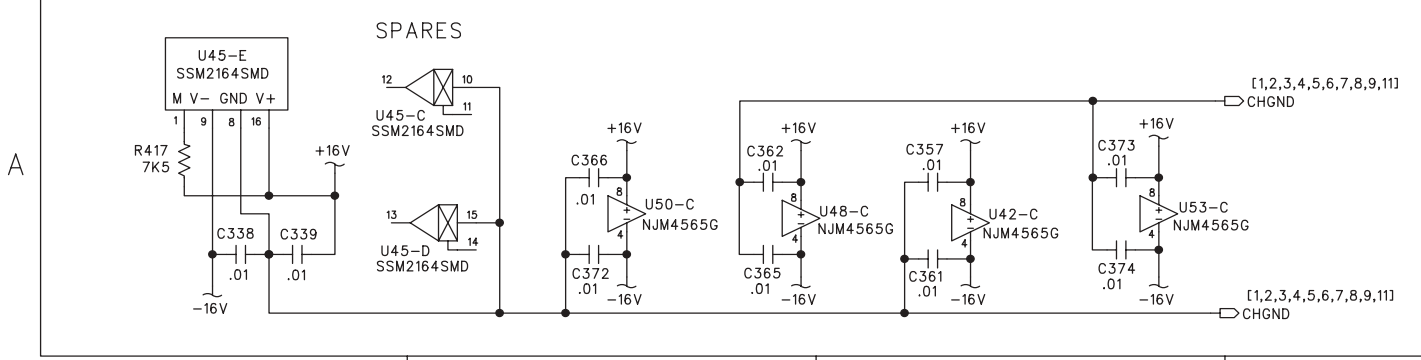
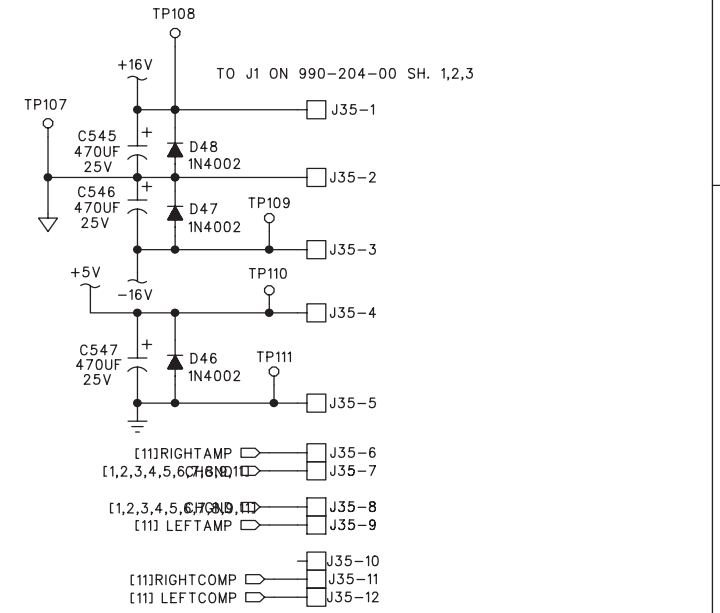
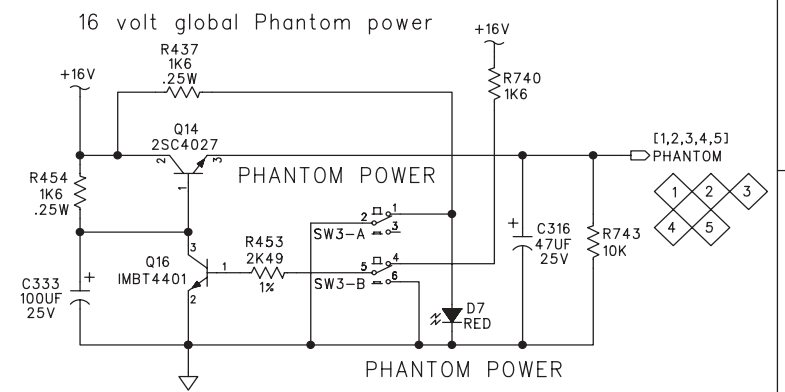
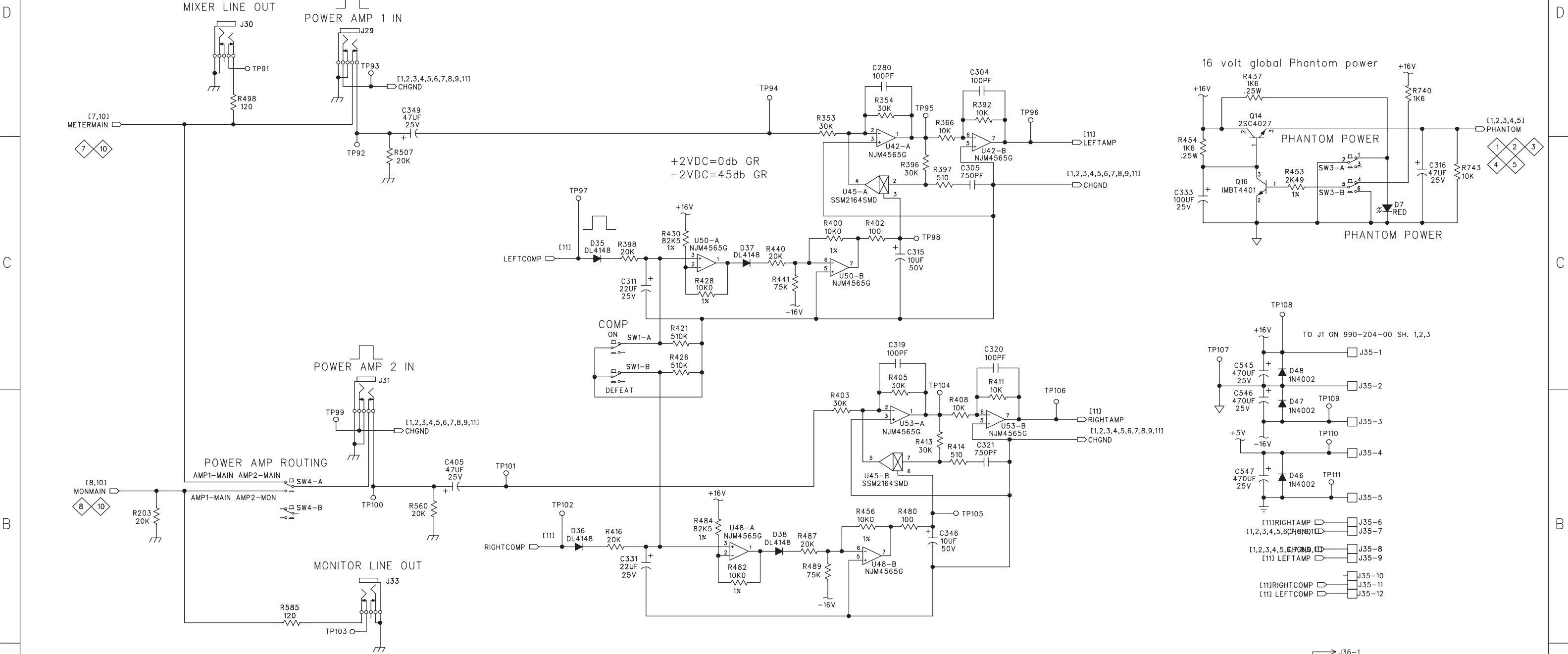
D
C
B
A



UNLESS OTHERWISE SPECIFIED DIMENSIONS ARE IN INCHES TOLERANCES ARE: FRACTIONS: DECIMALS: ANGLES: ±NA .XX ±.01 ±NA .XXX ±.005	APPROVALS	DATE	 Mackie Designs Inc. Woodinville, Wa.
	DRAWN: trh	4-7-98	
MATERIAL: SEE NOTES	CHECKED:		SCHEMATIC, MIXER BOARD 408M/808M METER SECTION
	NP ENG:		
FINISH: SEE NOTES	MATERIAL:		SIZE: D SCALE: NONE DWG. NO. 990-205-04 REV. F
	MFG:		
DO NOT SCALE DRAWING	MFG ENG:		DWG. NO. 990-205-04 REV. F
	ISSUED:		
			DWG. FILE: SHEET 10 OF 11

ECO#	REV:	DESCRIPTION	REV. BY:	APP. BY:	DATE
------	------	-------------	----------	----------	------

Note that an important and yet fiendishly subtle change has occurred in this revision.
If you plug something into the Power Amp in jacks, the connection from the internal mixer to the internal amplifier is cut.



UNLESS OTHERWISE SPECIFIED DIMENSIONS ARE IN INCHES TOLERANCES ARE: FRACTIONS: DECIMALS: ANGLES: ±NA .XX ±.01 ±NA .XXX ±.005	APPROVALS	DATE	MACKIE Mackie Designs Inc. Woodinville, Wa.
	DRAWN: trh	4-1-98	
MATERIAL: SEE NOTES	CHECKED:		SCHEMATIC, MIXER BOARD 408M/808M OUTPUT SECTION
	NP ENG:		
FINISH: SEE NOTES	MATERIAL:		SIZE: D SCALE: NONE DWG. NO. 990-205-04 REV. F
	MFG:		
DO NOT SCALE DRAWING	MFG ENG:		DWG. NO. 990-205-04 REV. F
	ISSUED:		
			DWG. FILE: SHEET 11 OF 11