

- 0012143-07 BTN99
RND BUTTON CAP (7MM) CONTROL GRAY TOP WHITE BOTTOM
- 0009210-05 BTN9
Long Shaft SM RECTANGLE BUTTON 5x7mm "GUITAR" (SYMBOL)
- 0008793-06 BTN30
SM RECTANGLE BUTTON 5X7mm CONTROL GREY "48V"
- 0008793-03 BTN11
 BTN12
 BTN13
 BTN14
SM RECTANGLE BUTTON 5X7mm CONTROL GREY
- 0008794-06 BTN43 BTN46
 BTN50 BTN47
 BTN51 BTN48
 BTN44 BTN49
 BTN45
MED RECTANGLE BUTTON 11.5 x 8.5 mm "MUTE" CONTROL GREY
- 0008793-09 BTN1 BTN4
 BTN2 BTN5
 BTN3 BTN6
SM RECTANGLE BUTTON 5X7mm CONTROL GREY "LOW CUT" (SYMBOL)
- 0008320-01 SO1 SO5 SO9 SO15 0008320-05
 SO2 SO6 SO10 SO16 STDF SWAGE M3 X 7MM 4.7 DIA
 SO3 SO7 SO11 SO17
 SO4 SO8 SO12 SO13
 SO14
- 0032714-04 PCB1
PCB, PROFX12 MAIN
- 0032715-XX SCH1
SCHEMATIC PCB ASSY PROFX12 MAIN BOARD
- 660-005-00 JMP1
CBL 22GA JUMPER WIRE

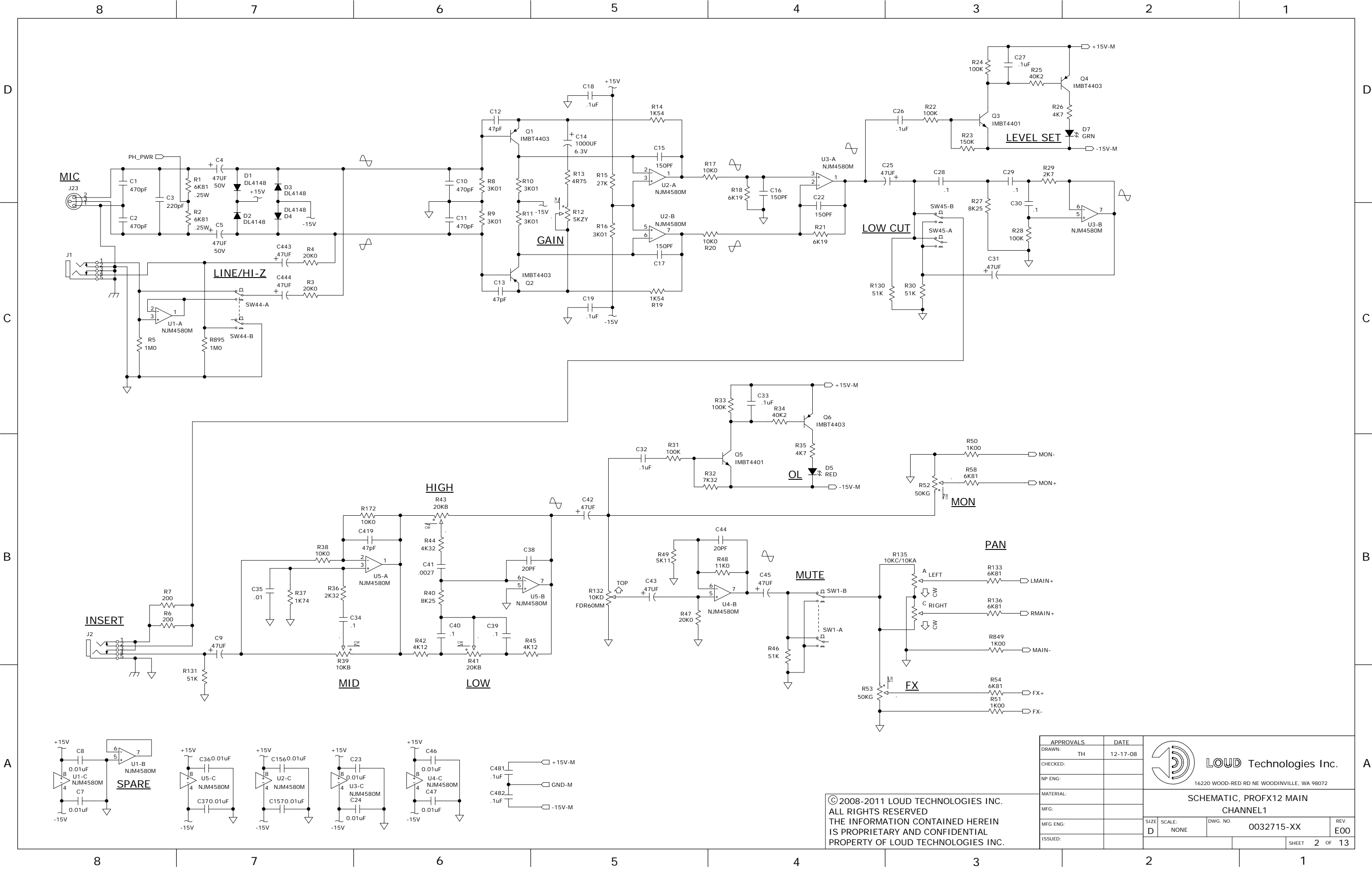
© 2008-2011 LOUD TECHNOLOGIES INC.
ALL RIGHTS RESERVED
THE INFORMATION CONTAINED HEREIN
IS PROPRIETARY AND CONFIDENTIAL
PROPERTY OF LOUD TECHNOLOGIES INC.

APPROVALS		DATE
DRAWN:	TH	12-17-08
CHECKED:		
NP ENG:		
MATERIAL:		
MFG:		
MFG ENG:		
ISSUED:		

LOUD Technologies Inc.
16220 WOOD-RED RD NE WOODINVILLE, WA 98072

SCHEMATIC, PROFX12 MAIN INTERCONNECT

SIZE: D	SCALE: NONE	DWG. NO: 0032715-XX	REV: E00
SHEET 1 OF 13			

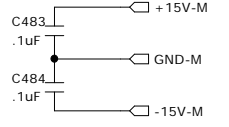
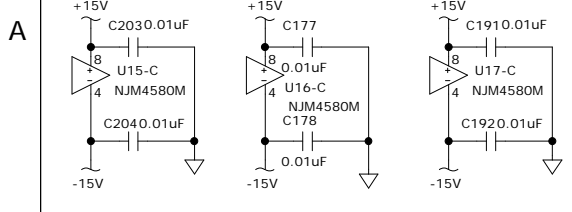
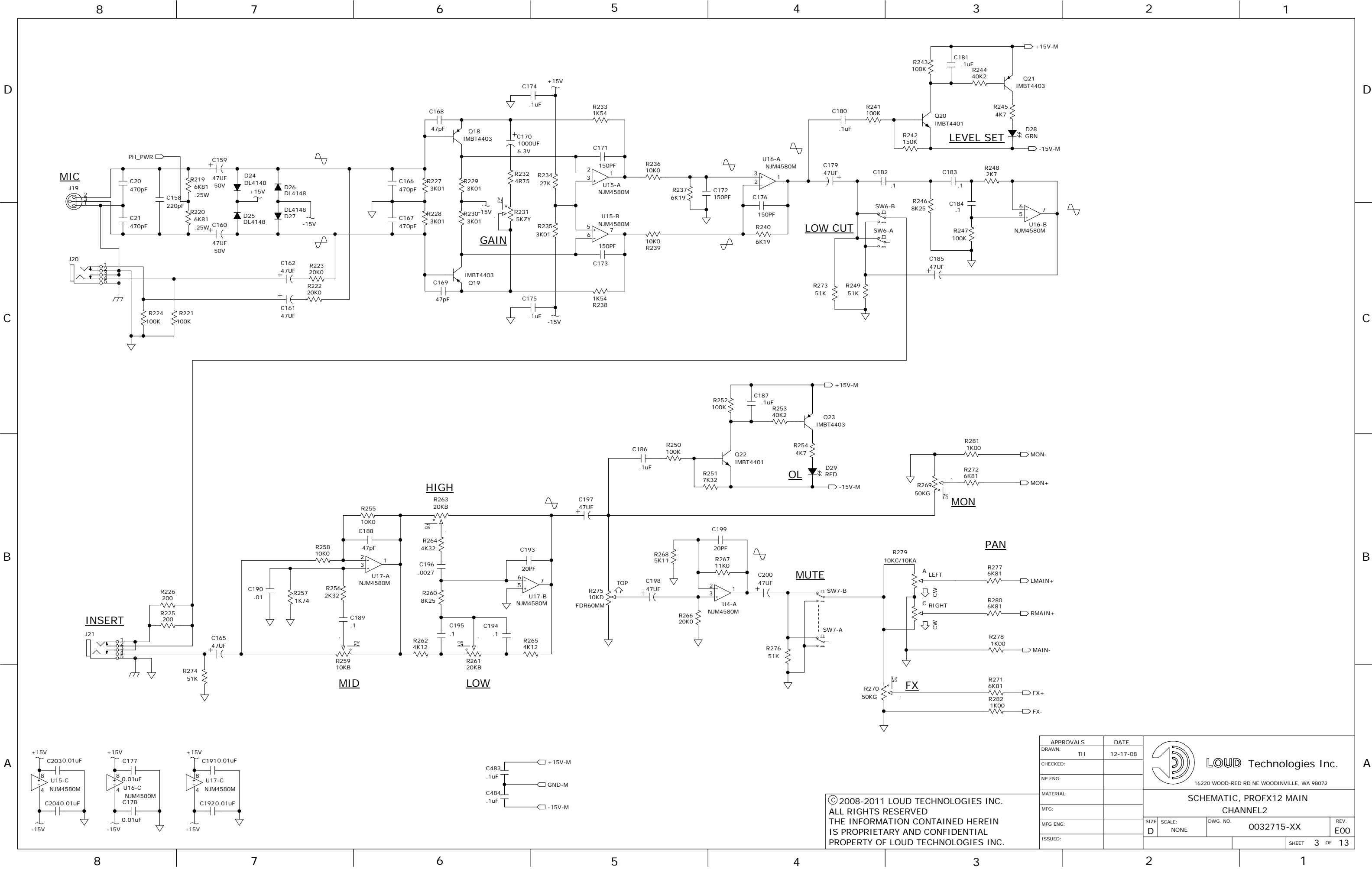


APPROVALS	DATE
DRAWN: TH	12-17-08
CHECKED:	
NP ENG:	
MATERIAL:	
MFG:	
MFG ENG:	
ISSUED:	



SCHEMATIC, PROFX12 MAIN CHANNEL 1			
SIZE: D	SCALE: NONE	DWG. NO: 0032715-XX	REV: E00
			SHEET 2 OF 13

© 2008-2011 LOUD TECHNOLOGIES INC.
 ALL RIGHTS RESERVED
 THE INFORMATION CONTAINED HEREIN IS PROPRIETARY AND CONFIDENTIAL PROPERTY OF LOUD TECHNOLOGIES INC.



© 2008-2011 LOUD TECHNOLOGIES INC.
 ALL RIGHTS RESERVED
 THE INFORMATION CONTAINED HEREIN
 IS PROPRIETARY AND CONFIDENTIAL
 PROPERTY OF LOUD TECHNOLOGIES INC.

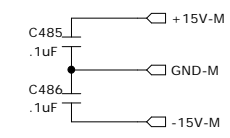
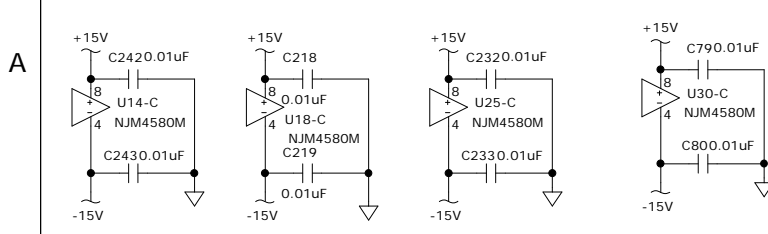
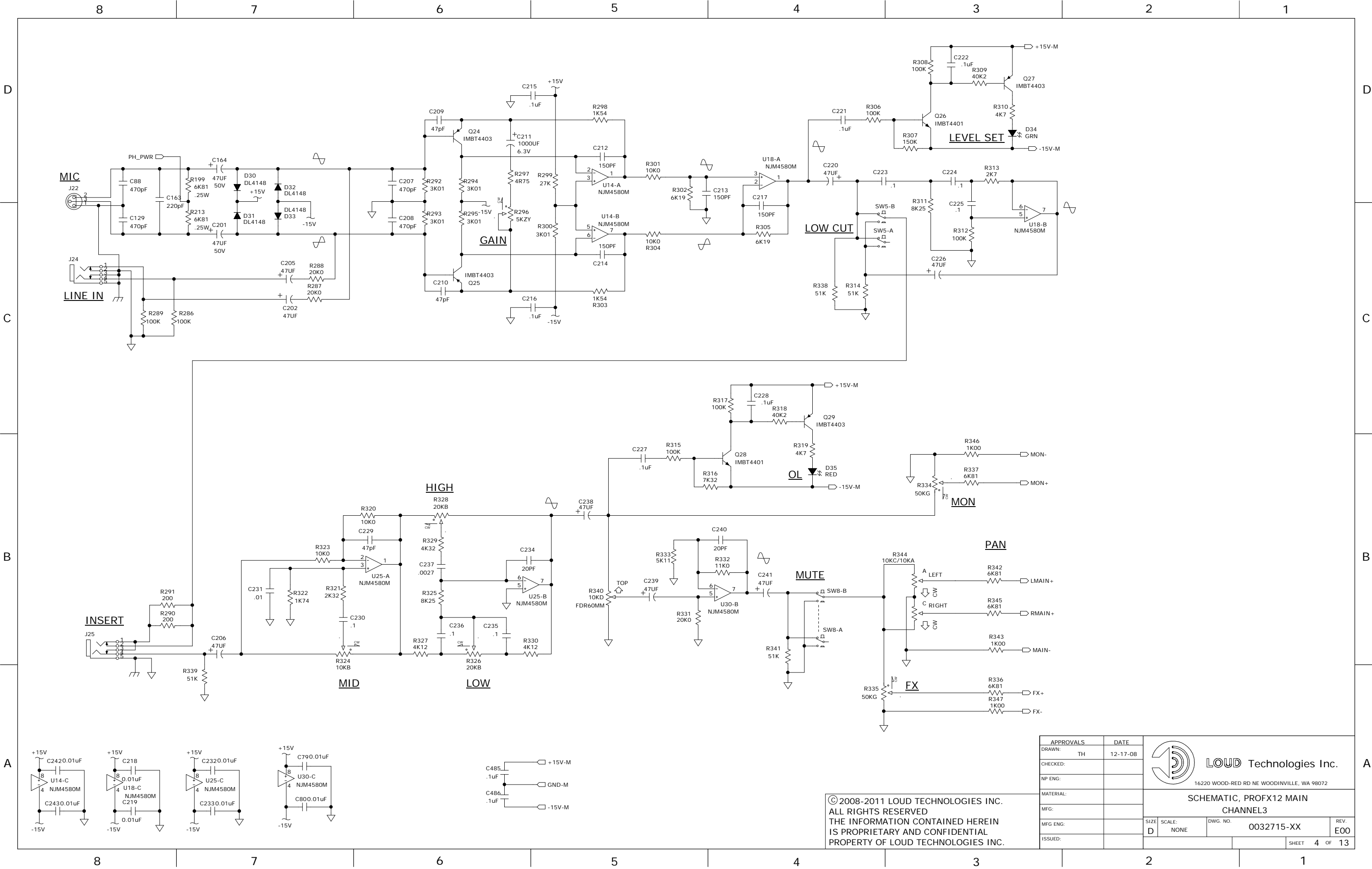
APPROVALS	DATE
DRAWN: TH	12-17-08
CHECKED:	
NP ENG:	
MATERIAL:	
MFG:	
MFG ENG:	
ISSUED:	

LOUD Technologies Inc.
 16220 WOOD-RED RD NE WOODINVILLE, WA 98072

SCHEMATIC, PROFX12 MAIN CHANNEL2

SIZE: D	SCALE: NONE	DWG. NO: 0032715-XX	REV: E00
---------	-------------	---------------------	----------

SHEET 3 OF 13



© 2008-2011 LOUD TECHNOLOGIES INC.
 ALL RIGHTS RESERVED
 THE INFORMATION CONTAINED HEREIN
 IS PROPRIETARY AND CONFIDENTIAL
 PROPERTY OF LOUD TECHNOLOGIES INC.

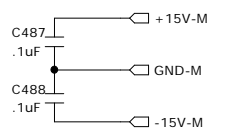
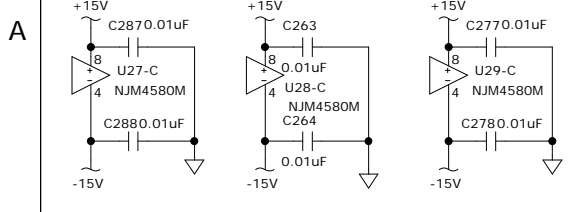
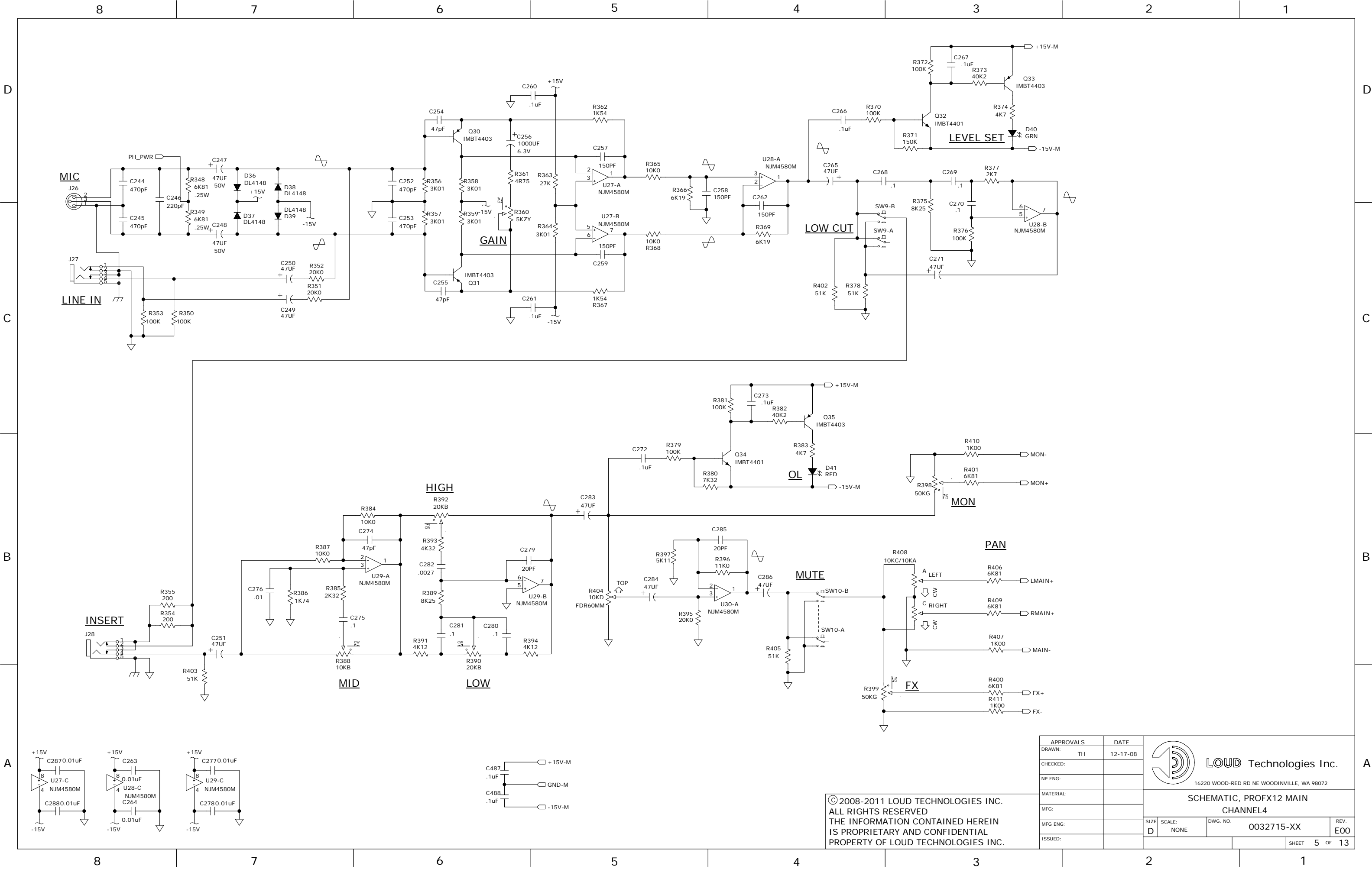
APPROVALS	DATE
DRAWN: TH	12-17-08
CHECKED:	
NP ENG:	
MATERIAL:	
MFG:	
MFG ENG:	
ISSUED:	

LOUD Technologies Inc.
 16220 WOOD-RED RD NE WOODINVILLE, WA 98072

SCHEMATIC, PROFX12 MAIN CHANNEL 3

SIZE: D	SCALE: NONE	DWG. NO: 0032715-XX	REV: E00
---------	-------------	---------------------	----------

SHEET 4 OF 13



© 2008-2011 LOUD TECHNOLOGIES INC.
 ALL RIGHTS RESERVED
 THE INFORMATION CONTAINED HEREIN
 IS PROPRIETARY AND CONFIDENTIAL
 PROPERTY OF LOUD TECHNOLOGIES INC.

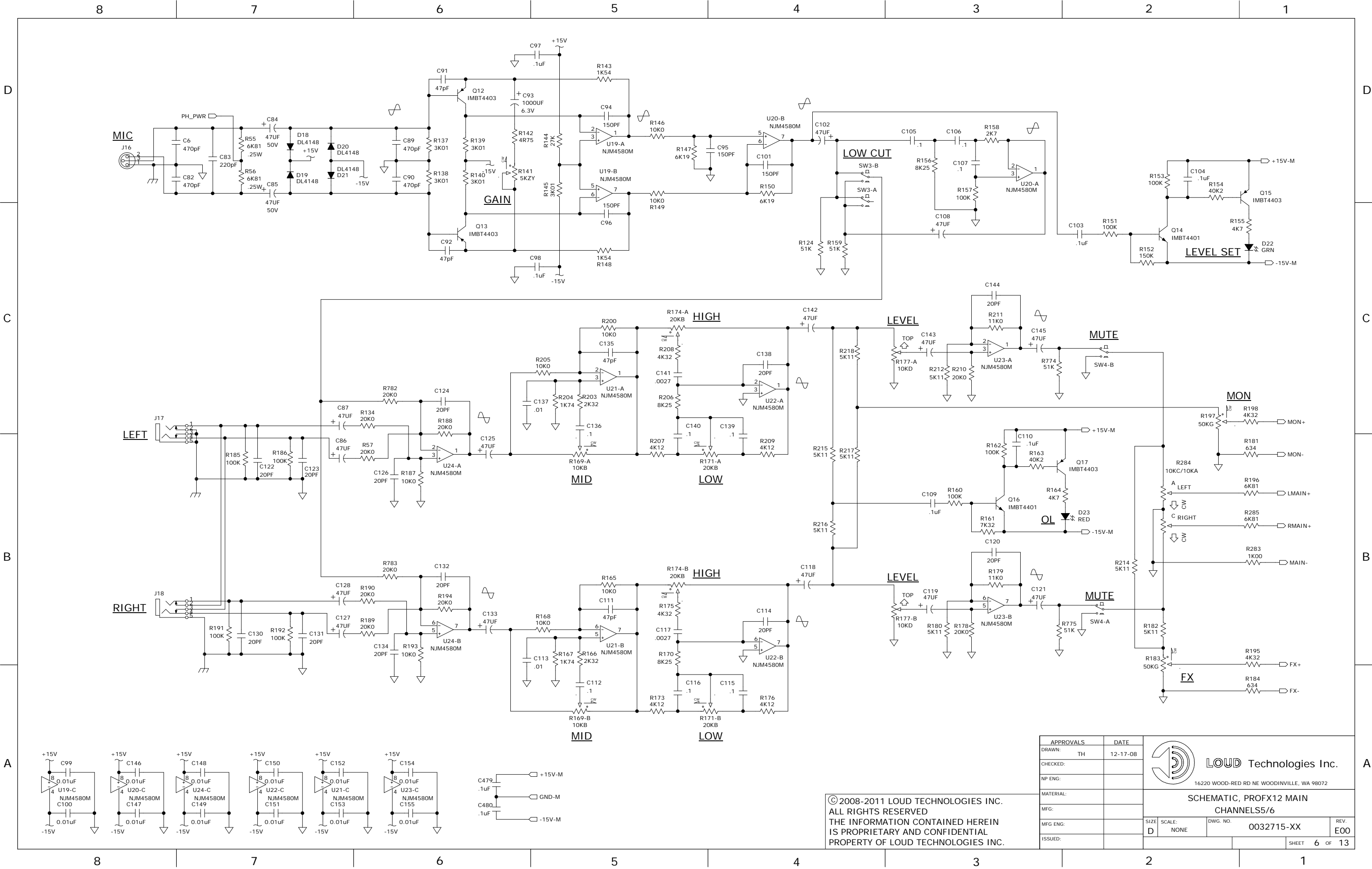
APPROVALS	DATE
DRAWN: TH	12-17-08
CHECKED:	
NP ENG:	
MATERIAL:	
MFG:	
MFG ENG:	
ISSUED:	

LOUD Technologies Inc.
 16220 WOOD-RED RD NE WOODINVILLE, WA 98072

SCHEMATIC, PROFX12 MAIN CHANNEL 4

SIZE: D	SCALE: NONE	DWG. NO: 0032715-XX	REV: E00
---------	-------------	---------------------	----------

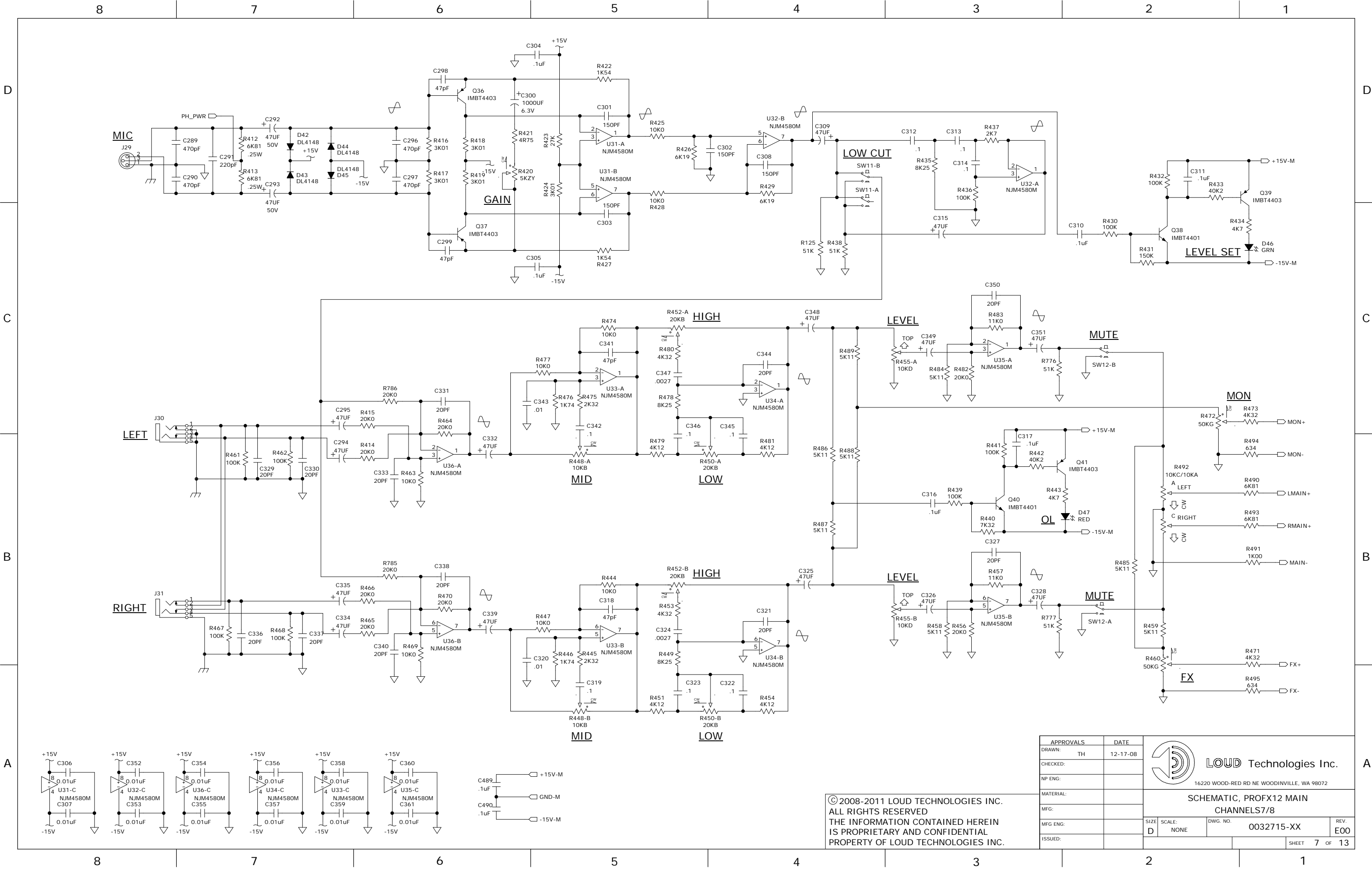
SHEET 5 OF 13



APPROVALS		DATE
DRAWN:	TH	12-17-08
CHECKED:		
NP ENG:		
MATERIAL:		
MFG:		
MFG ENG:		
ISSUED:		

		16220 WOOD-RED RD NE WOODINVILLE, WA 98072	
		SCHEMATIC, PROFX12 MAIN CHANNELS/6	
SIZE	SCALE: NONE	DWG. NO.	0032715-XX
			REV. E00
			SHEET 6 OF 13

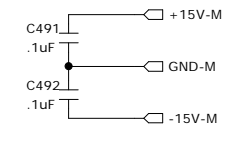
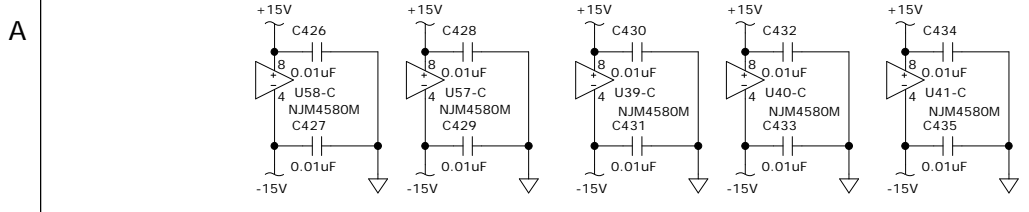
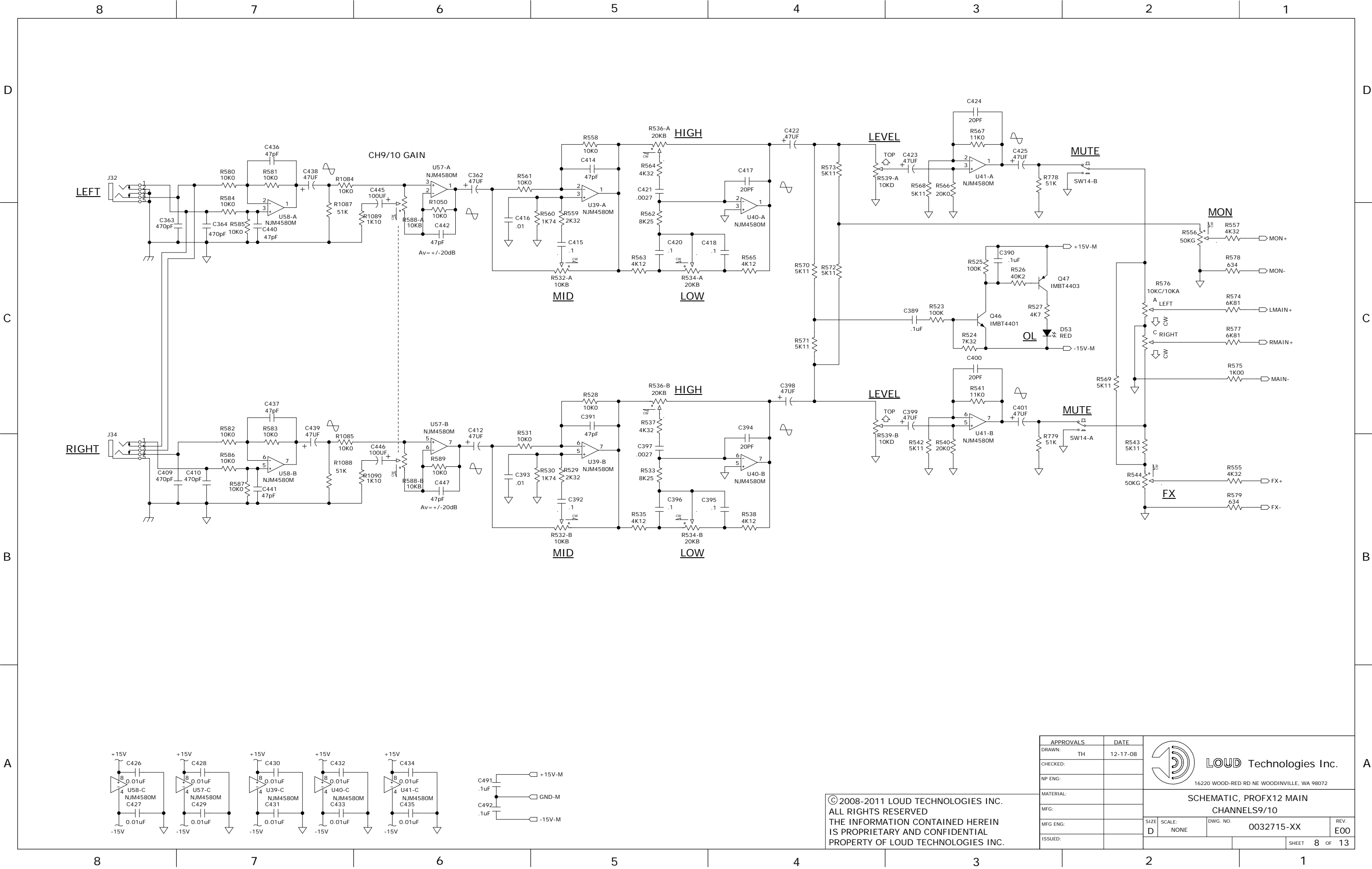
© 2008-2011 LOUD TECHNOLOGIES INC.
 ALL RIGHTS RESERVED
 THE INFORMATION CONTAINED HEREIN IS PROPRIETARY AND CONFIDENTIAL PROPERTY OF LOUD TECHNOLOGIES INC.




APPROVALS		DATE
DRAWN:	TH	12-17-08
CHECKED:		
NP ENG:		
MATERIAL:		
MFG:		
MFG ENG:		
ISSUED:		

		16220 WOOD-RED RD NE WOODINVILLE, WA 98072	
		SCHEMATIC, PROFX12 MAIN CHANNELS7/8	
SIZE	SCALE:	DWG. NO.	REV.
D	NONE	0032715-XX	E00
			SHEET 7 OF 13

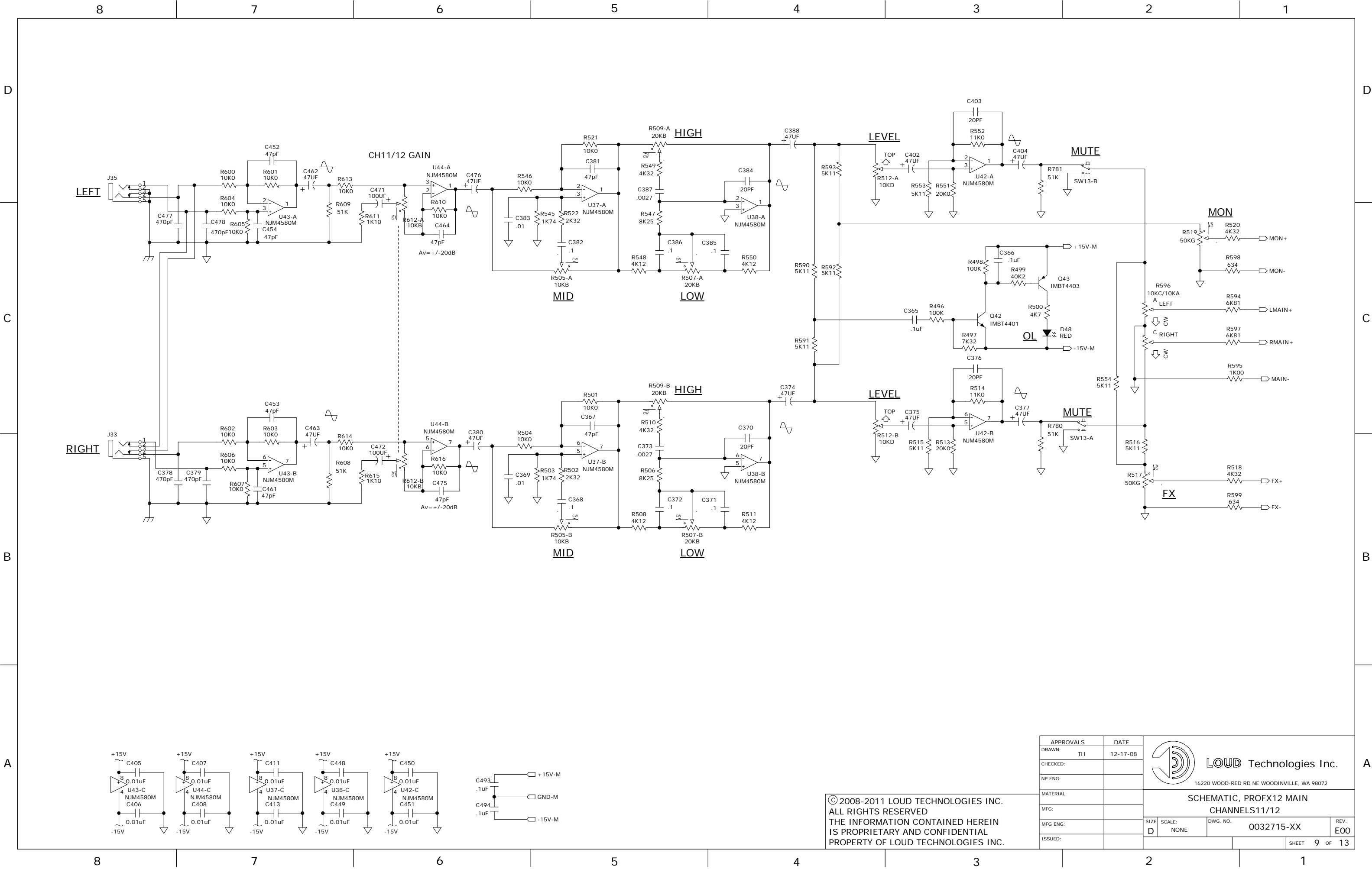
© 2008-2011 LOUD TECHNOLOGIES INC.
 ALL RIGHTS RESERVED
 THE INFORMATION CONTAINED HEREIN
 IS PROPRIETARY AND CONFIDENTIAL
 PROPERTY OF LOUD TECHNOLOGIES INC.




APPROVALS		DATE
DRAWN:	TH	12-17-08
CHECKED:		
NP ENG:		
MATERIAL:		
MFG:		
MFG ENG:		
ISSUED:		

 LOUD Technologies Inc. 16220 WOOD-RED RD NE WOODINVILLE, WA 98072		SCHEMATIC, PROFX12 MAIN CHANNELS9/10	

© 2008-2011 LOUD TECHNOLOGIES INC.
 ALL RIGHTS RESERVED
 THE INFORMATION CONTAINED HEREIN
 IS PROPRIETARY AND CONFIDENTIAL
 PROPERTY OF LOUD TECHNOLOGIES INC.



APPROVALS		DATE
DRAWN:	TH	12-17-08
CHECKED:		
NP ENG:		
MATERIAL:		
MFG:		
MFG ENG:		
ISSUED:		

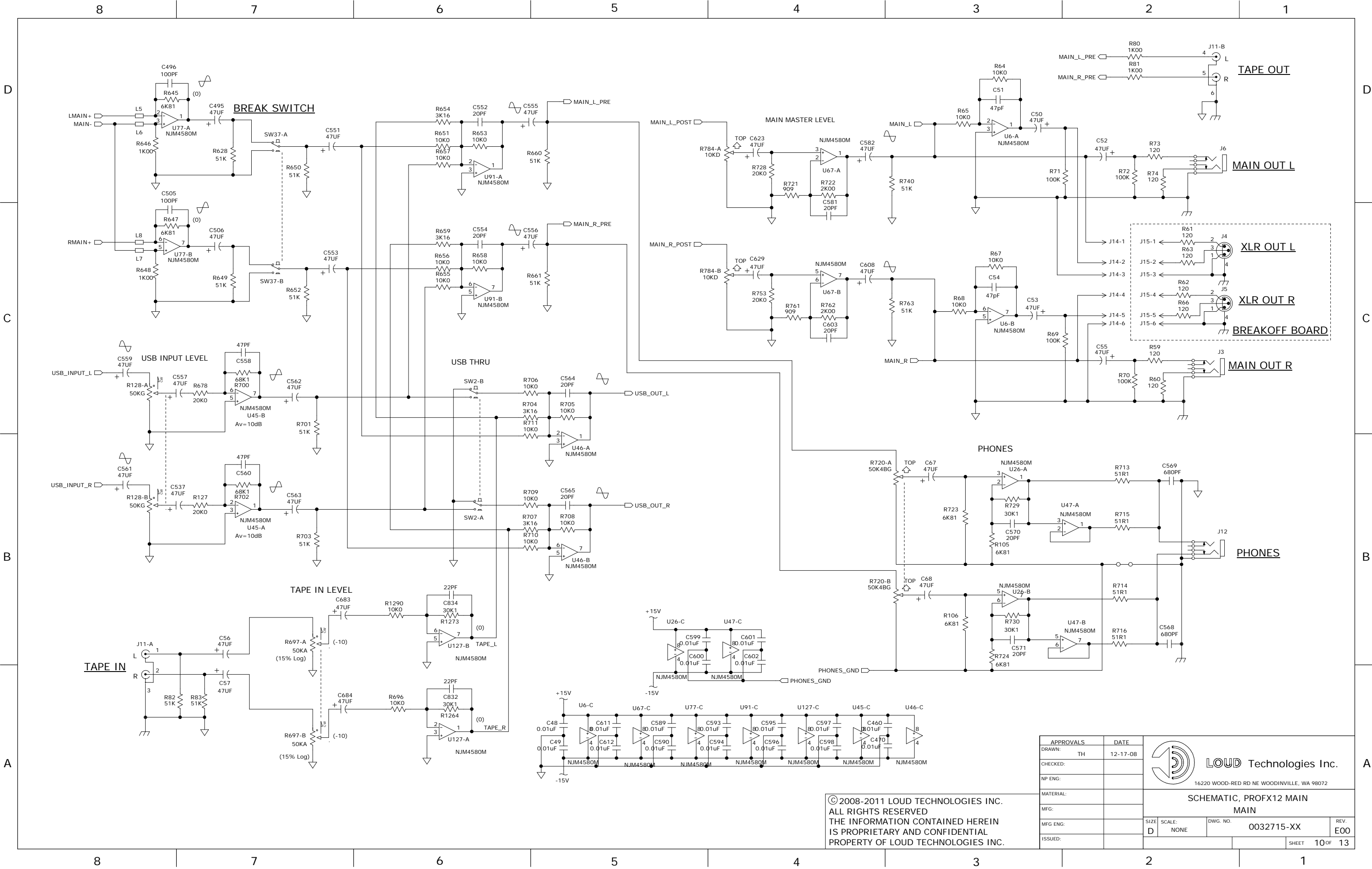


LOUD Technologies Inc.
16220 WOOD-RED RD NE WOODINVILLE, WA 98072

SCHEMATIC, PROFX12 MAIN
CHANNELS11/12

SIZE: D SCALE: NONE DWG. NO: 0032715-XX REV. E00

© 2008-2011 LOUD TECHNOLOGIES INC.
ALL RIGHTS RESERVED
THE INFORMATION CONTAINED HEREIN
IS PROPRIETARY AND CONFIDENTIAL
PROPERTY OF LOUD TECHNOLOGIES INC.

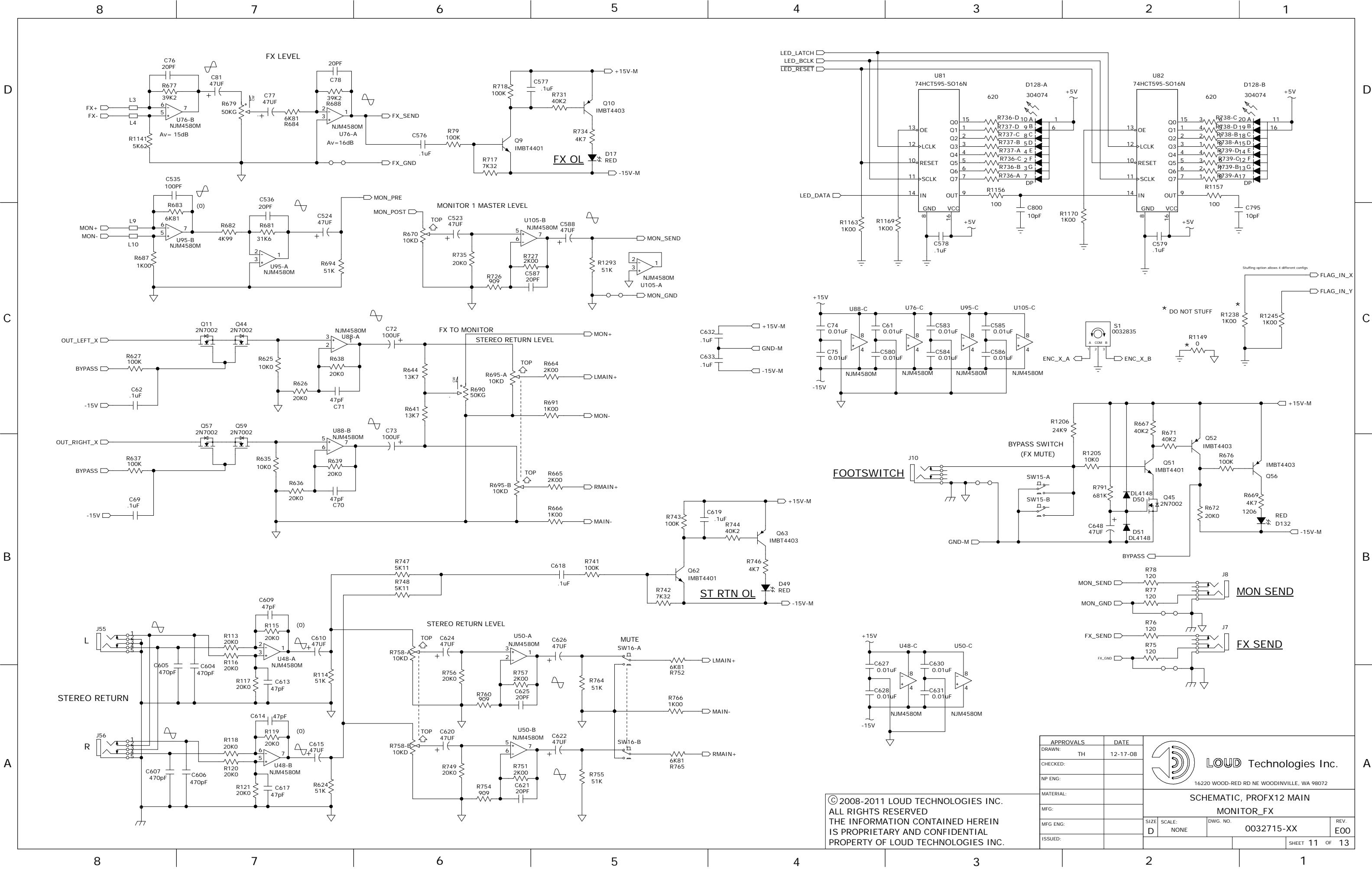


APPROVALS	DATE
DRAWN: TH	12-17-08
CHECKED:	
NP ENG:	
MATERIAL:	
MFG:	
MFG ENG:	
ISSUED:	



SCHEMATIC, PROFX12 MAIN			
MAIN			
SIZE: D	SCALE: NONE	DWG. NO. 0032715-XX	REV. E00
SHEET 10 OF 13			

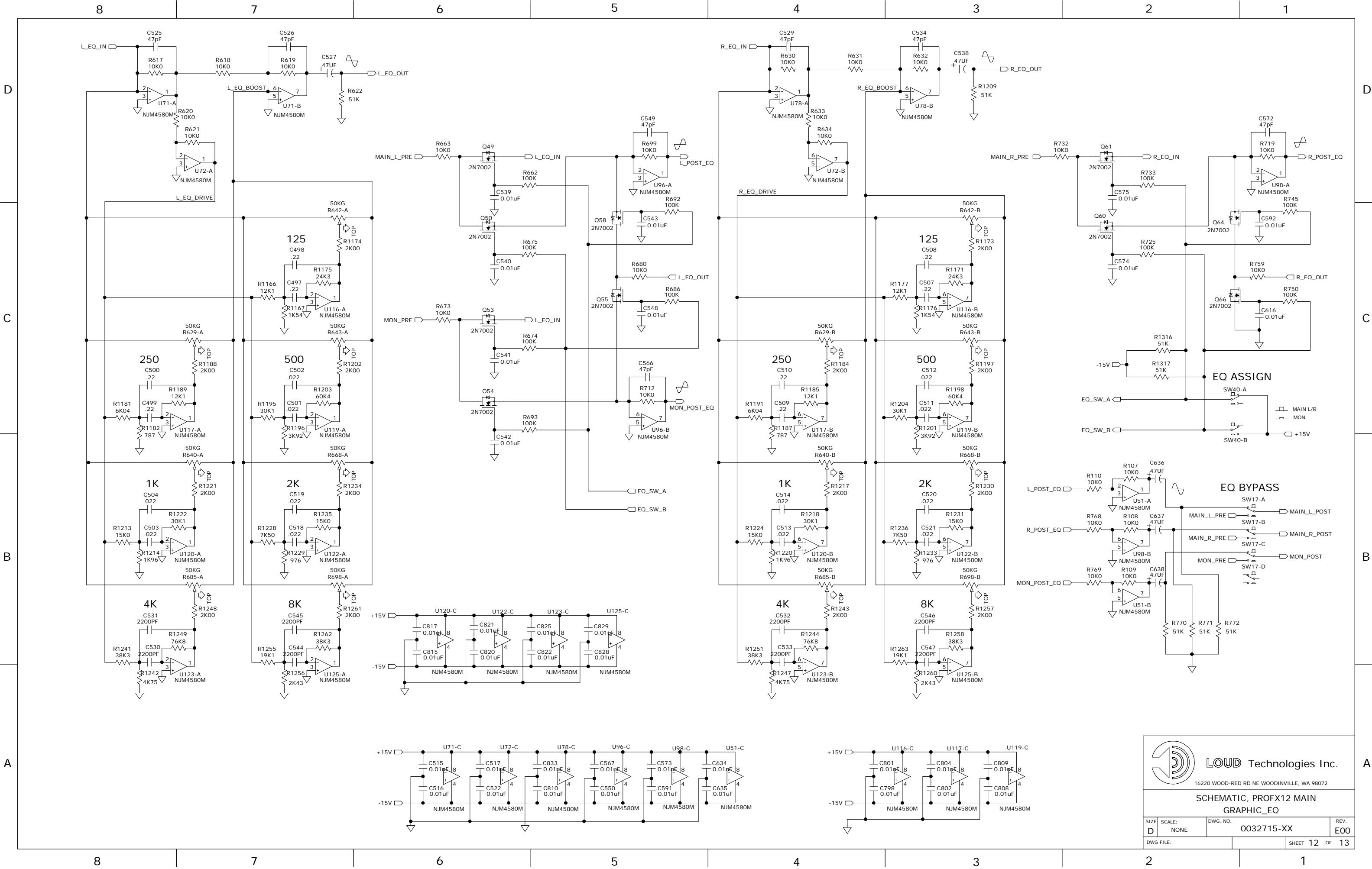
© 2008-2011 LOUD TECHNOLOGIES INC.
 ALL RIGHTS RESERVED
 THE INFORMATION CONTAINED HEREIN
 IS PROPRIETARY AND CONFIDENTIAL
 PROPERTY OF LOUD TECHNOLOGIES INC.



© 2008-2011 LOUD TECHNOLOGIES INC.
 ALL RIGHTS RESERVED
 THE INFORMATION CONTAINED HEREIN
 IS PROPRIETARY AND CONFIDENTIAL
 PROPERTY OF LOUD TECHNOLOGIES INC.

APPROVALS		DATE
DRAWN:	TH	12-17-08
CHECKED:		
NP ENG:		
MATERIAL:		
MFG:		
MFG ENG:		
ISSUED:		

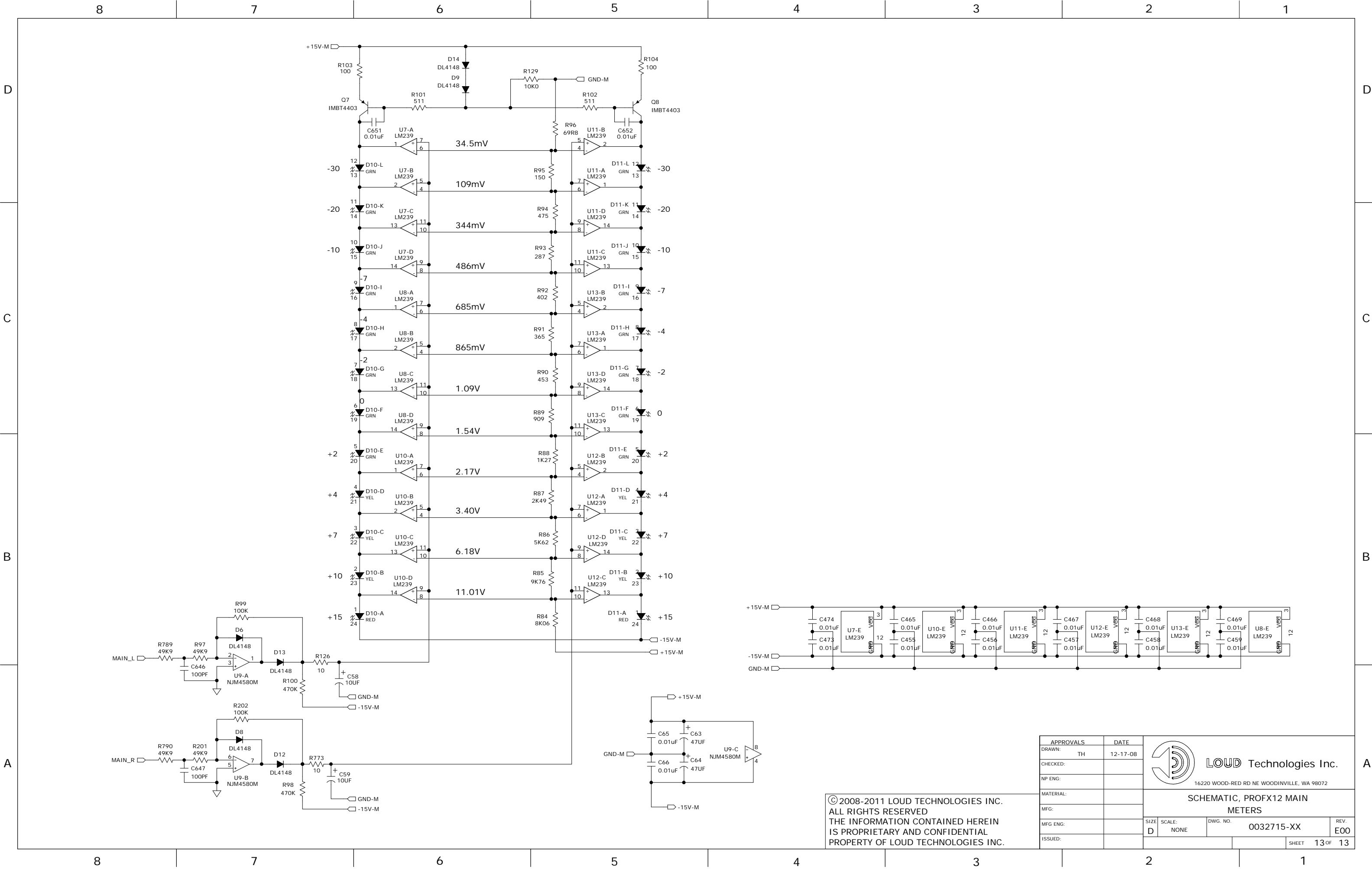
		16220 WOOD-RED RD NE WOODINVILLE, WA 98072	
		SCHEMATIC, PROFX12 MAIN MONITOR_FX	
SIZE	SCALE:	DWG. NO.	REV.
D	NONE	0032715-XX	E00
			SHEET 11 OF 13



LOUD Technologies Inc.
 16220 WOOD-RED RD NE WOODINVILLE, WA 98072

SCHEMATIC, PROFX12 MAIN GRAPHIC_EQ

SIZE: D	SCALE: NONE	DWG. NO: 0032715-XX	REV: E00
DWG FILE:		SHEET 12 OF 13	



© 2008-2011 LOUD TECHNOLOGIES INC.
 ALL RIGHTS RESERVED
 THE INFORMATION CONTAINED HEREIN
 IS PROPRIETARY AND CONFIDENTIAL
 PROPERTY OF LOUD TECHNOLOGIES INC.

APPROVALS	DATE
DRAWN: TH	12-17-08
CHECKED:	
NP ENG:	
MATERIAL:	
MFG:	
MFG ENG:	
ISSUED:	



SCHEMATIC, PROFX12 MAIN METERS

SIZE: D	SCALE: NONE	DWG. NO: 0032715-XX	REV: E00
SHEET 13 OF 13			