

8

7

6

5

4

3

2

1

D

D

C

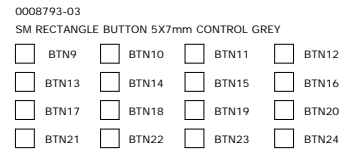
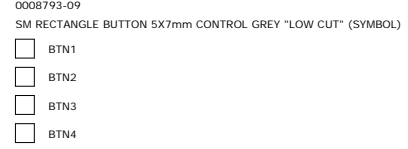
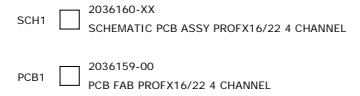
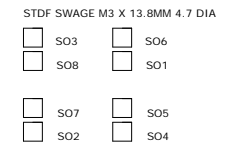
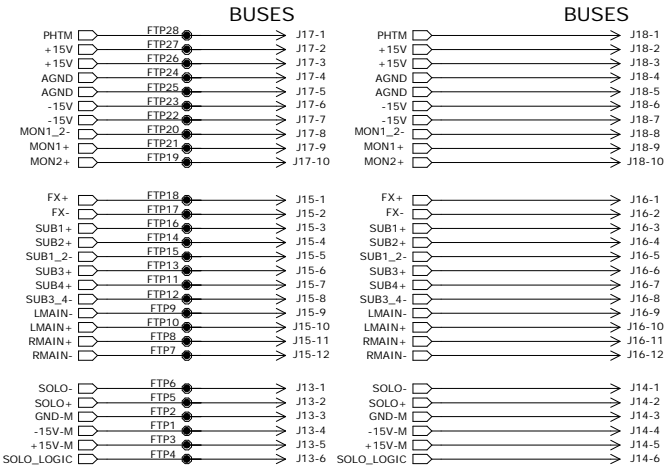
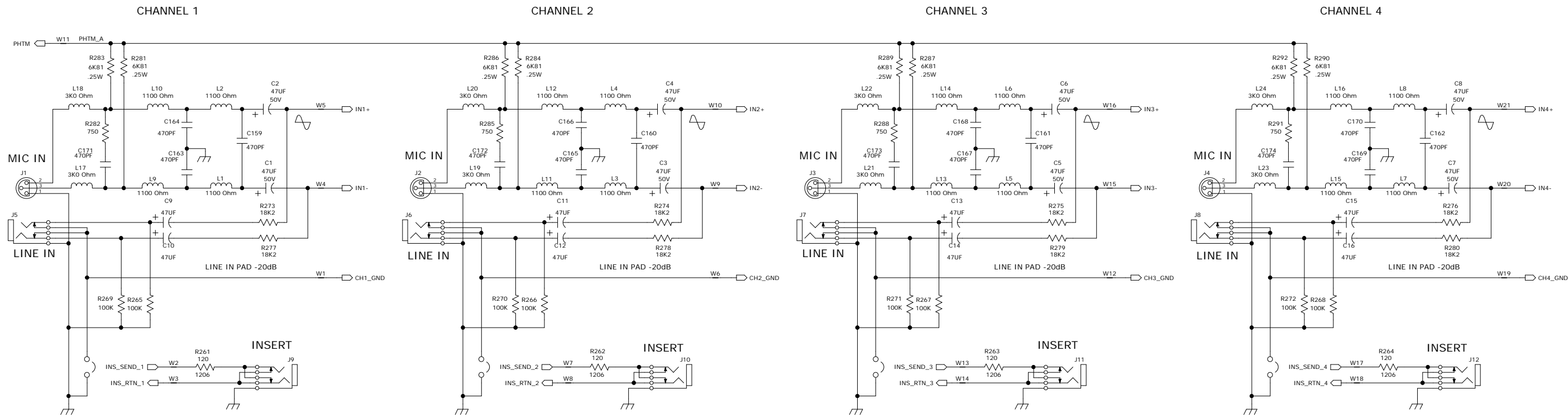
C

B

B

A

A



© 2010-2011 LOUD TECHNOLOGIES INC.  
 ALL RIGHTS RESERVED  
 THE INFORMATION CONTAINED HEREIN  
 IS PROPRIETARY AND CONFIDENTIAL  
 PROPERTY OF LOUD TECHNOLOGIES INC.

APPROVALS		DATE
DRAWN:	DB	7/1/10
CHECKED:		
NP ENG:		
MATERIAL:		
MFG:		
MFG ENG:		
ISSUED:		

<b>LOUD Technologies Inc.</b> 16220 WOOD-RED RD NE WOODINVILLE, WA 98072		<b>PROFX16/22 4 CHANNEL</b> <b>CH1_4_JACKS</b>	
DWG FILE: 2036160-XX-A02.sch		SHEET 1 OF 5	

8

7

6

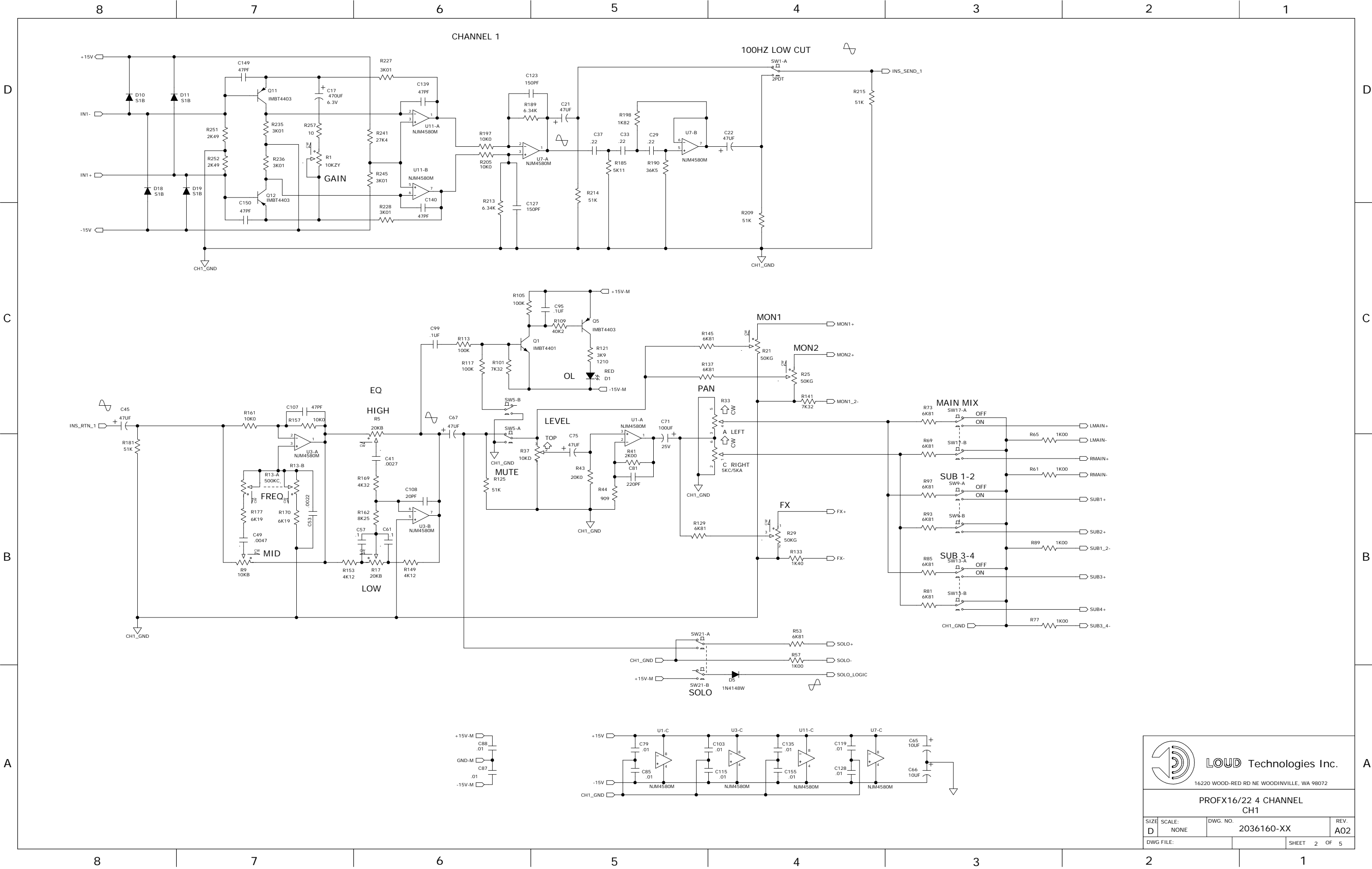
5


4

3

2

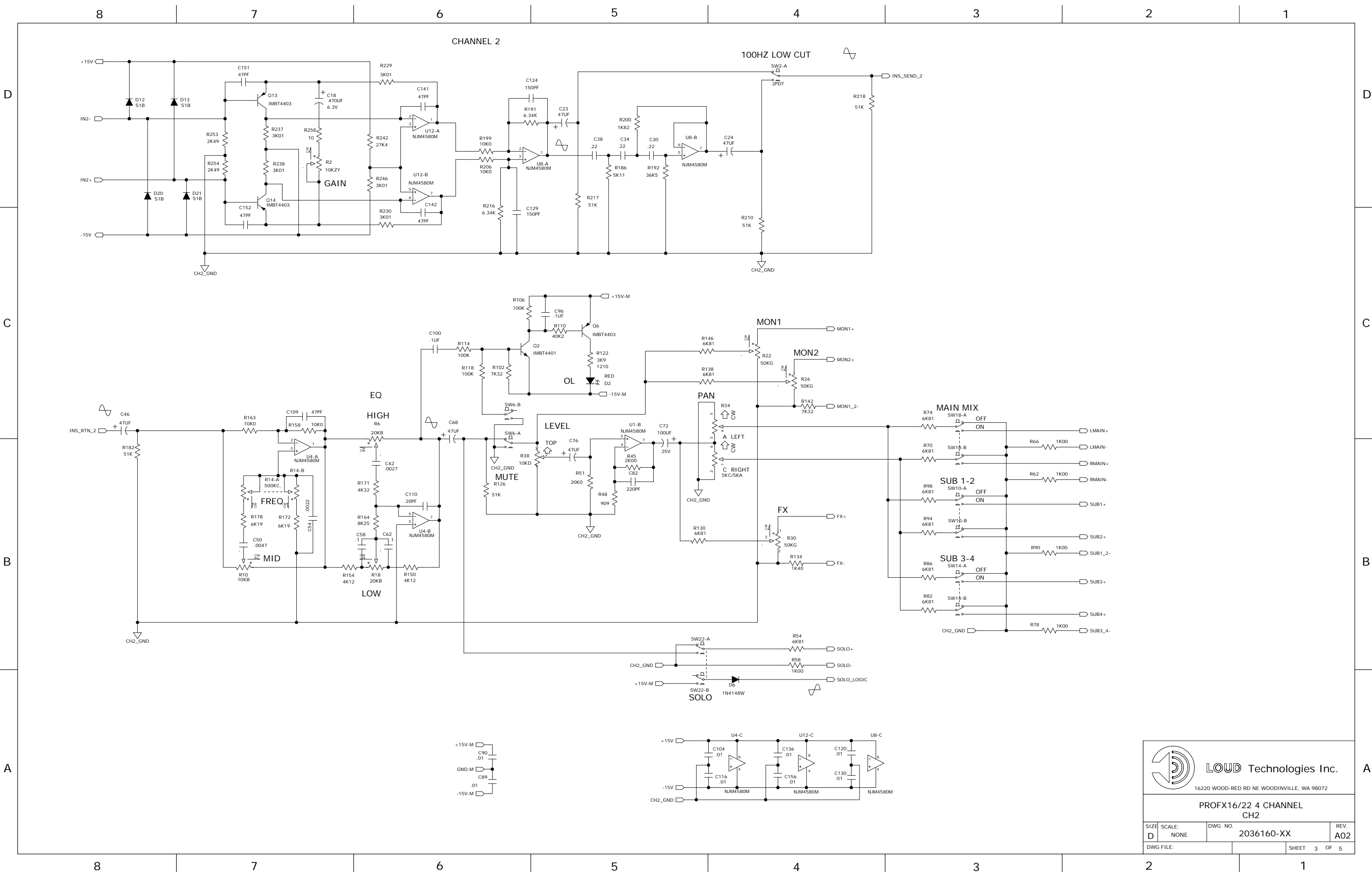
1




**LOUD Technologies Inc.**  
 16220 WOOD-RED RD NE WOODINVILLE, WA 98072

**PROFX16/22 4 CHANNEL CH1**

SIZE: D	SCALE: NONE	DWG. NO.: 2036160-XX	REV. A02
DWG FILE:			SHEET 2 OF 5



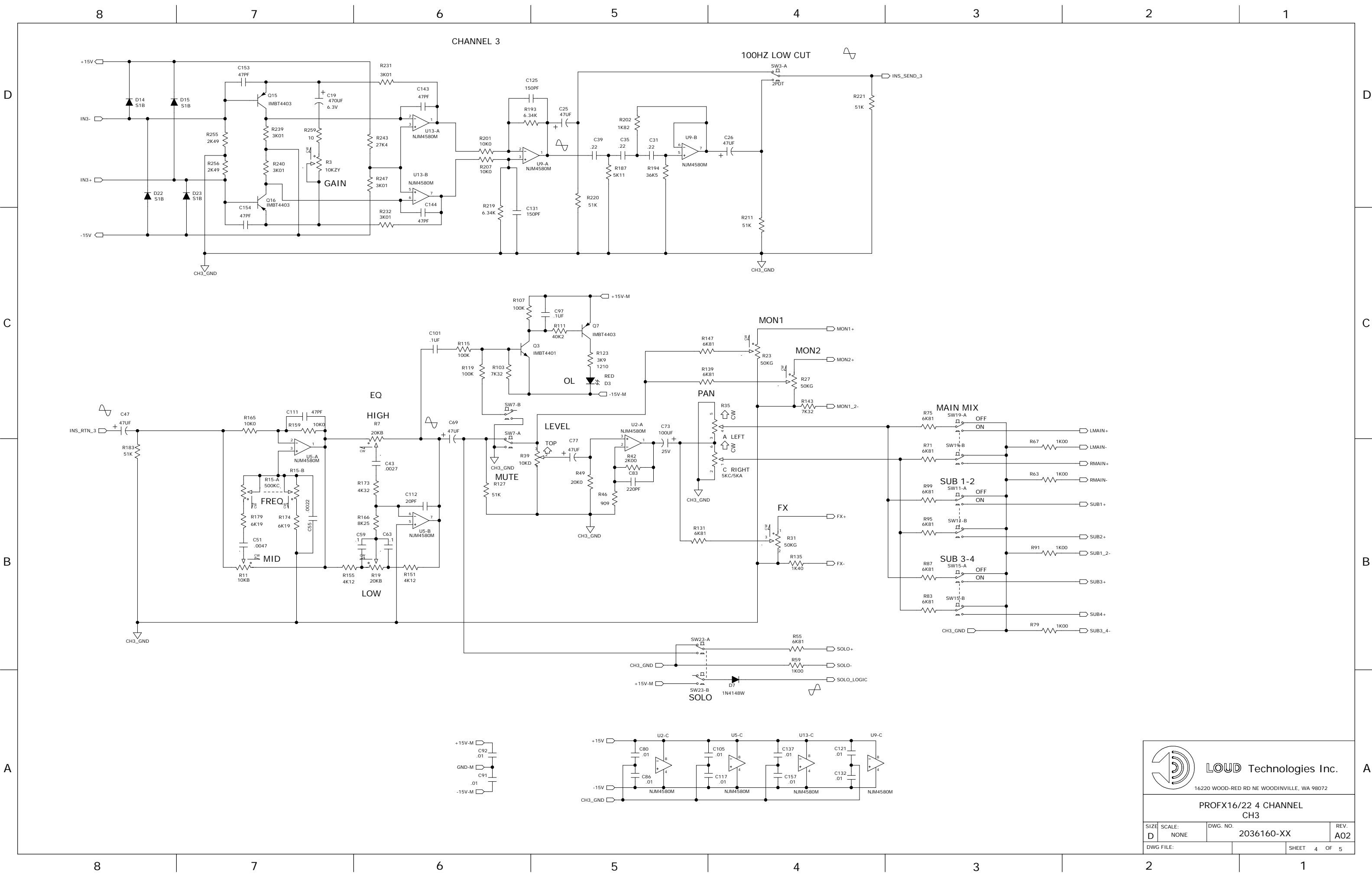
**LOUD Technologies Inc.**

16220 WOOD-RED RD NE WOODINVILLE, WA 98072

---

**PROFX16/22 4 CHANNEL CH2**

SIZE <b>D</b>	SCALE: NONE	DWG. NO. <b>2036160-XX</b>	REV. <b>A02</b>
DWG FILE:		SHEET 3 OF 5	



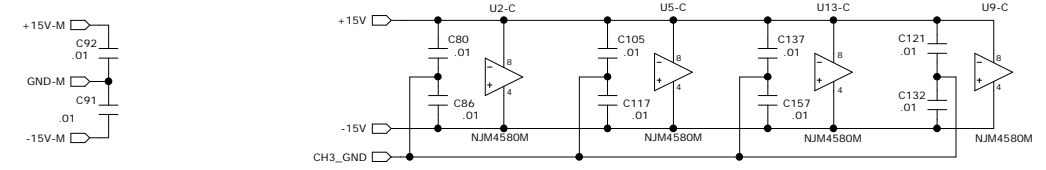
**LOUD Technologies Inc.**

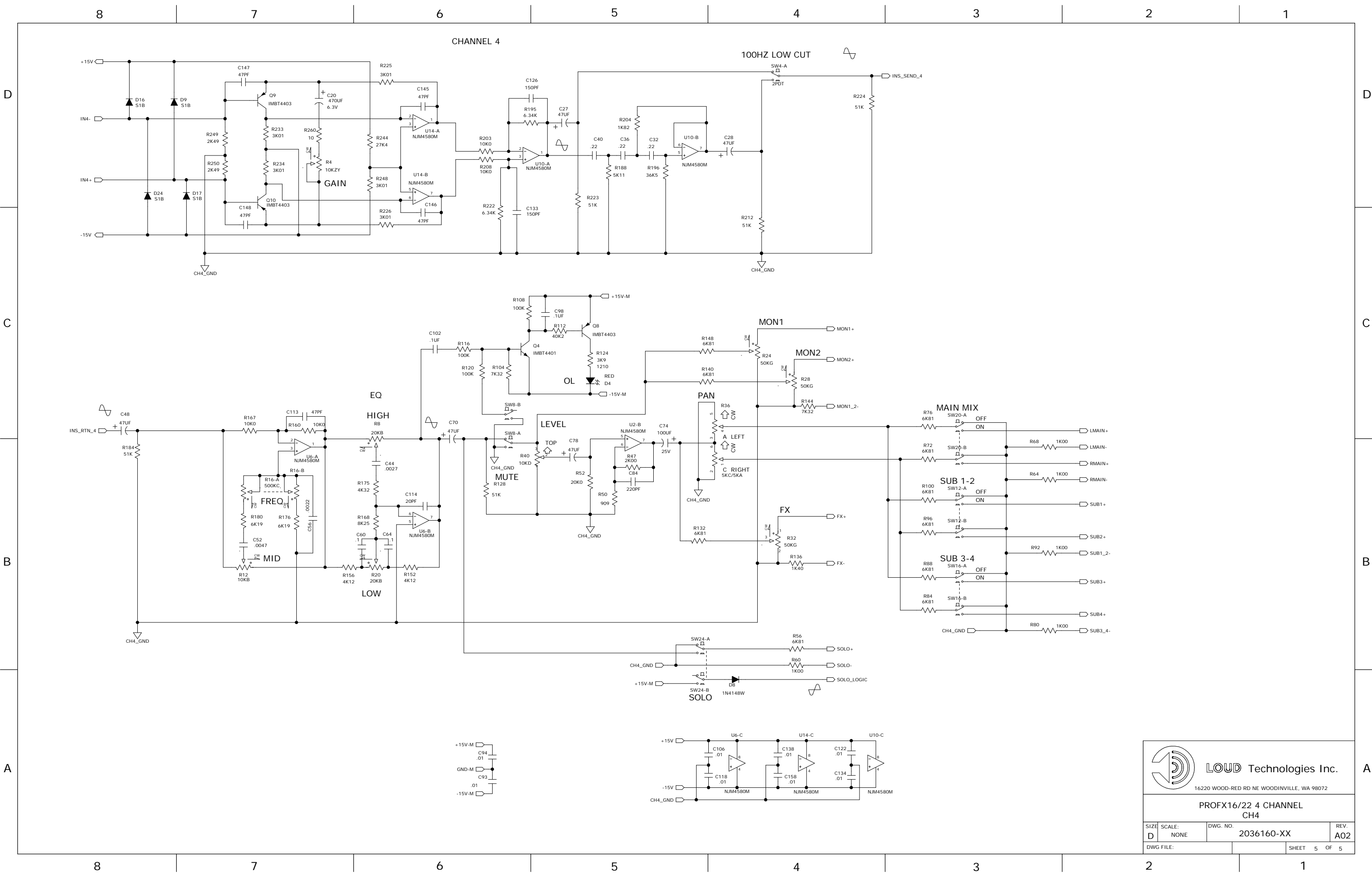
16220 WOOD-RED RD NE WOODINVILLE, WA 98072

---

**PROFX16/22 4 CHANNEL CH3**

SIZE: D	SCALE: NONE	DWG. NO.: 2036160-XX	REV. A02
DWG FILE:			SHEET 4 OF 5





**LOUD Technologies Inc.**  
 16220 WOOD-RED RD NE WOODINVILLE, WA 98072

**PROFX16/22 4 CHANNEL CH4**

SIZE: D	SCALE: NONE	DWG. NO. 2036160-XX	REV. A02
DWG FILE:		SHEET 5 OF 5	