

- BTN2 0008793-09 SM RECTANGLE BUTTON 5X7mm CONTROL GREY "LOW CUT" (SYMBOL)
- BTN3
- BTN4 BTN6
- BTN5 BTN7
- BTN47 0008793-03 SM RECTANGLE BUTTON 5X7mm CONTROL GREY
- BTN23 BTN28 BTN14 BTN54 BTN26 BTN12 BTN10
- BTN24 BTN29 BTN11 BTN62 BTN27 BTN13 BTN8
- BTN55 BTN33 BTN42 BTN51 BTN31 BTN52 BTN61
- BTN32 BTN41 BTN50 BTN9 BTN39 BTN60 BTN38
- BTN40 BTN49 BTN58 BTN30 BTN59 BTN37
- BTN48 BTN57 BTN35 BTN25 BTN36 BTN45
- BTN56 BTN34 BTN43 BTN46 BTN44 BTN53
- BTN1 0008793-06 SM RECTANGLE BUTTON 5X7mm CONTROL GREY "48V"
- BTN15 0008794-06 MED RECTANGLE BUTTON 11.5 x 8.5 mm "MUTE" CONTROL GREY
- BTN16
- BTN17 BTN20
- BTN18 BTN21
- BTN19 BTN22
- 0008320-05 STDF SWAGE M3 X 7MM 4.7 DIA
- SO18
- SO17
- SO19
- SO1 0008320-01 STDF SWAGE M3 X 13.8MM 4.7 DIA
- SO5 SO2 SO3
- SO6 SO7 SO15 SO12
- SO10 SO11 SO9 SO8
- SO13 SO14 SO4 SO16
- SCH1 2036158-XX SCHEMATIC PCB ASSY PROFX16/22 MASTER
- PCB1 2036157-02 PCB FAB PROFX16/22 MASTER

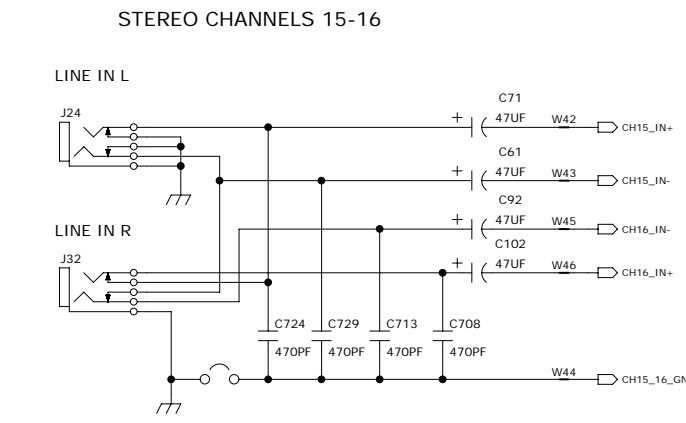
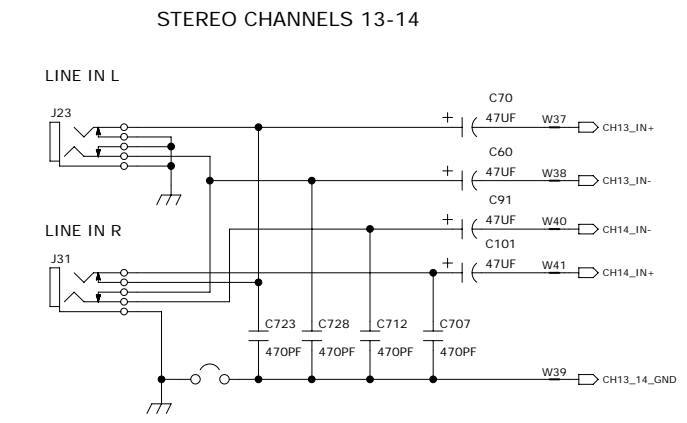
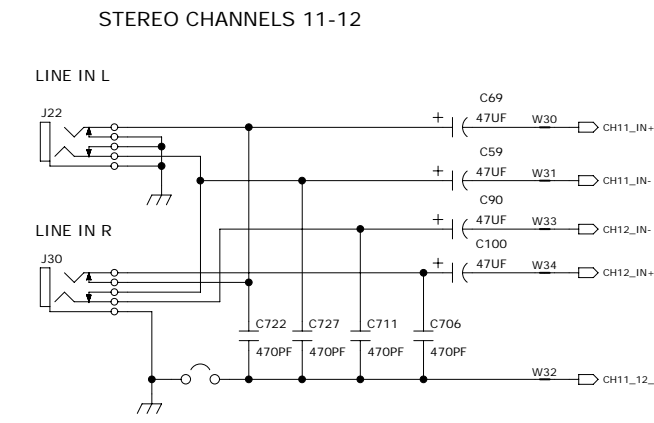
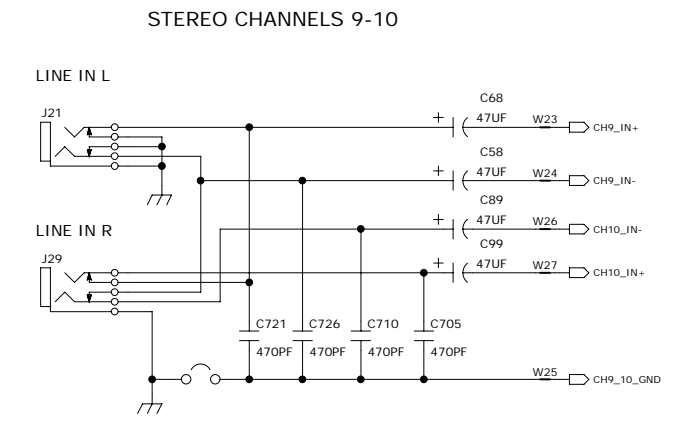
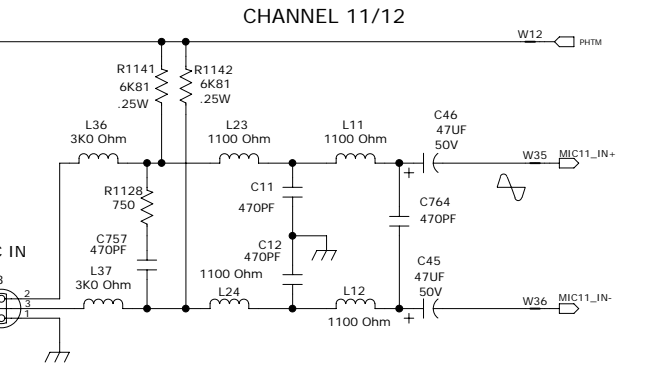
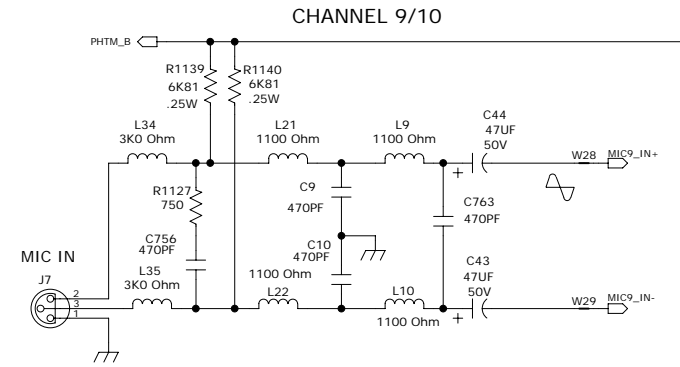
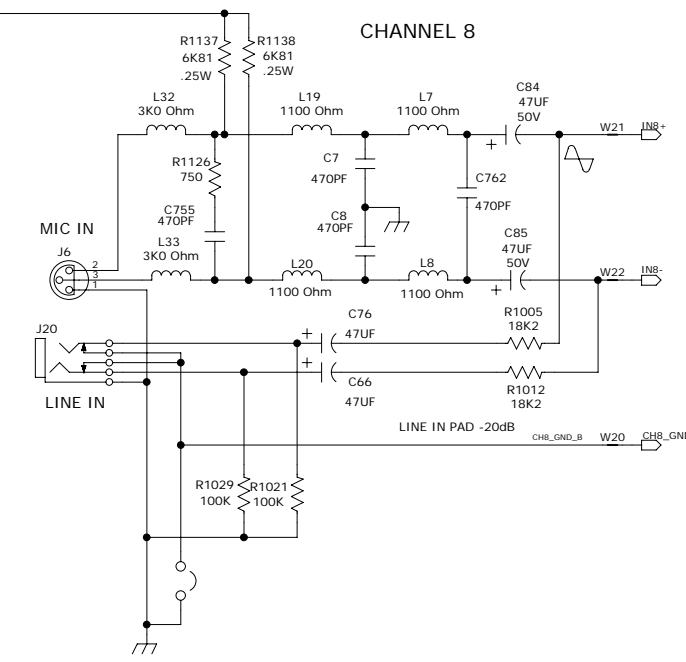
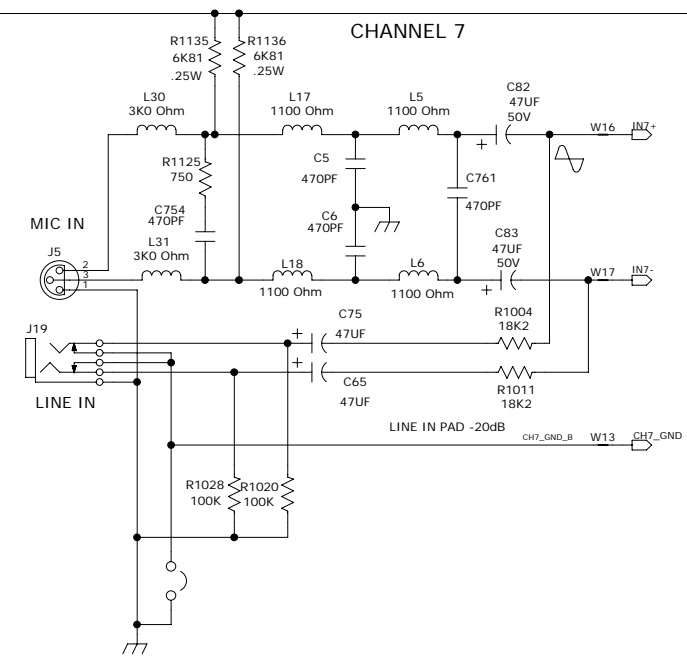
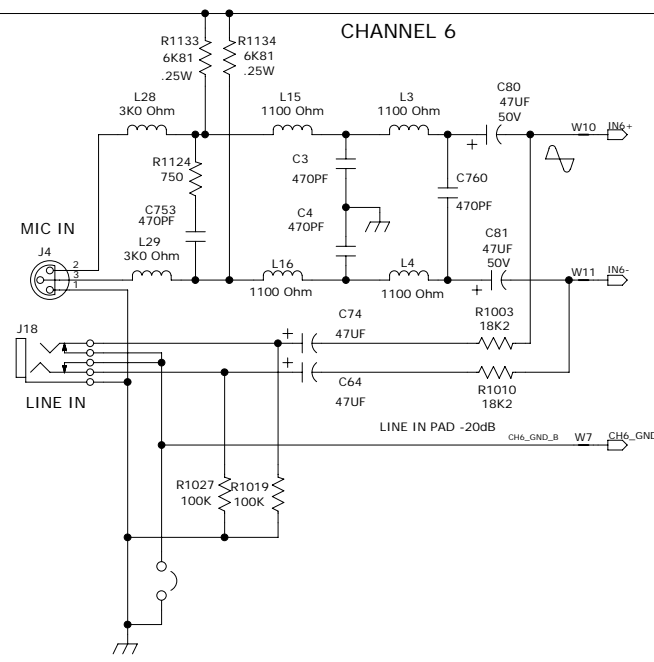
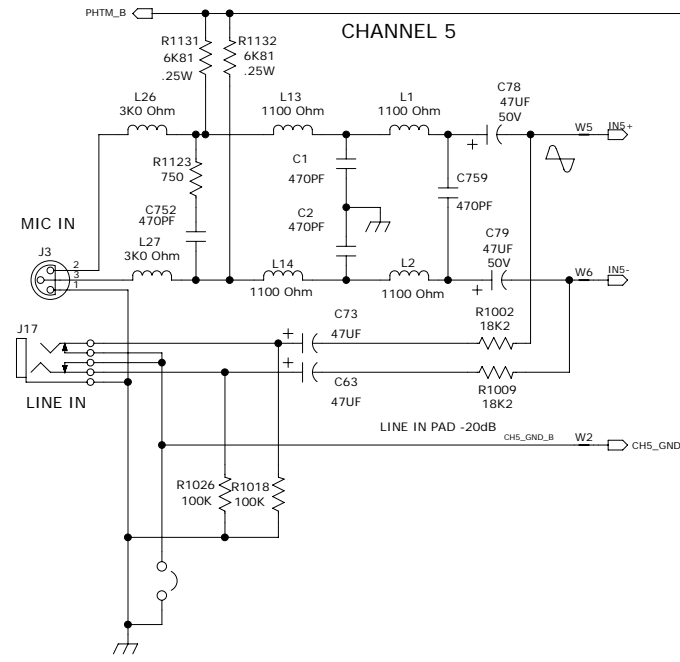
APPROVALS		DATE
DRAWN:	DB	7-1-10
CHECKED:		
NP ENG:		
MATERIAL:		
MFG:		
MFG ENG:		
ISSUED:		

LOUD Technologies Inc.
16220 WOOD-RED RD NE WOODINVILLE, WA 98072

SCHEMATIC, PROFX 16 MAIN PCB INTERCONNECT

SIZE	SCALE	DWG. NO.	REV.
D	NONE	2036158-XX	C00
DWG FILE:	SHEET		1 OF 17

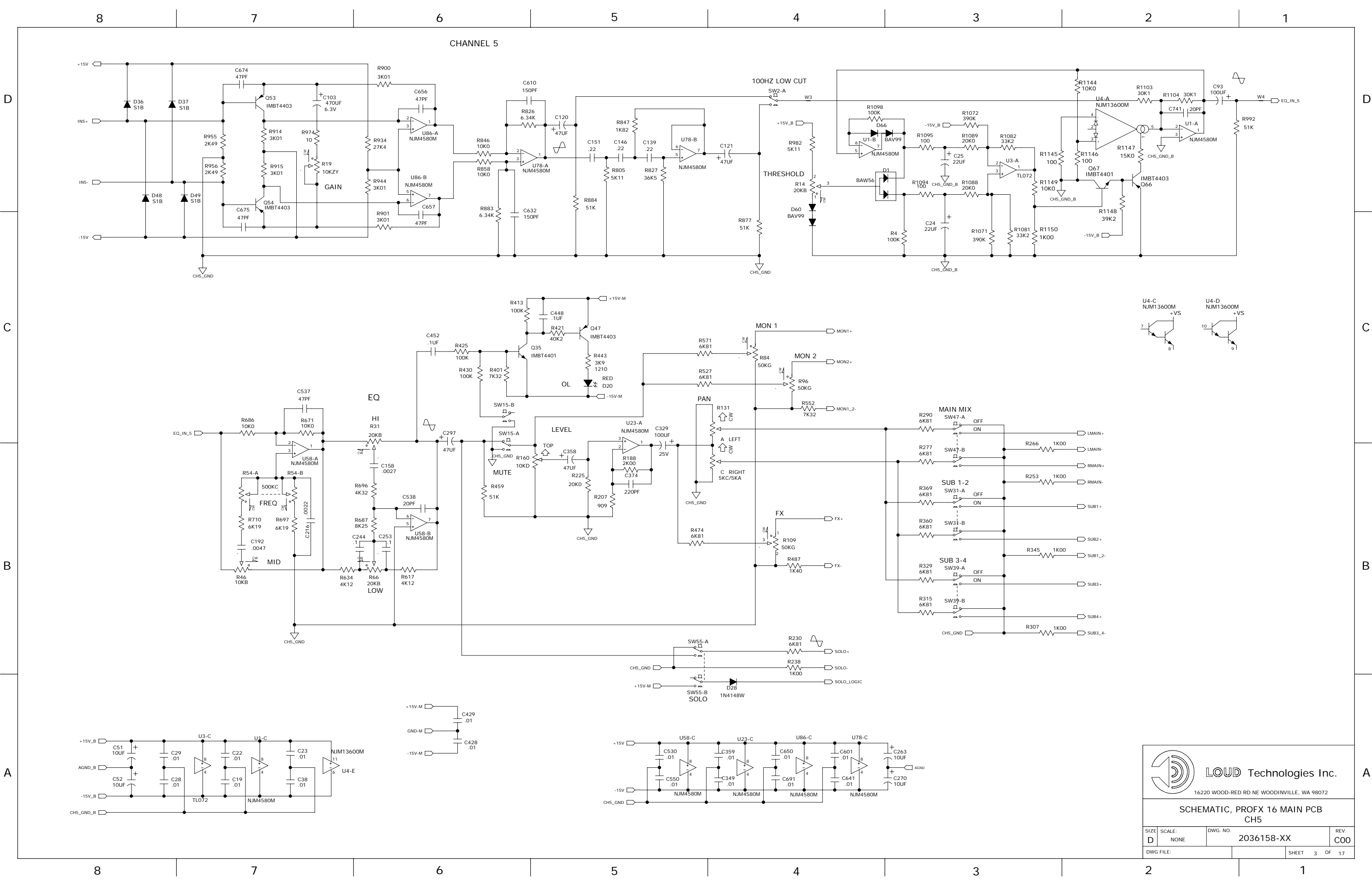
© 2010-2011 LOUD TECHNOLOGIES INC.
ALL RIGHTS RESERVED
THE INFORMATION CONTAINED HEREIN
IS PROPRIETARY AND CONFIDENTIAL
PROPERTY OF LOUD TECHNOLOGIES INC.



LOUD Technologies Inc.
16220 WOOD-RED RD NE WOODINVILLE, WA 98072

SCHEMATIC, PROFX 16 MAIN PCB INPUT_JACKS

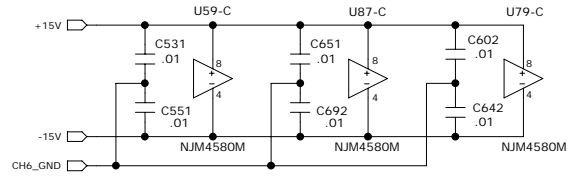
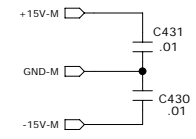
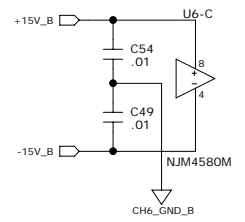
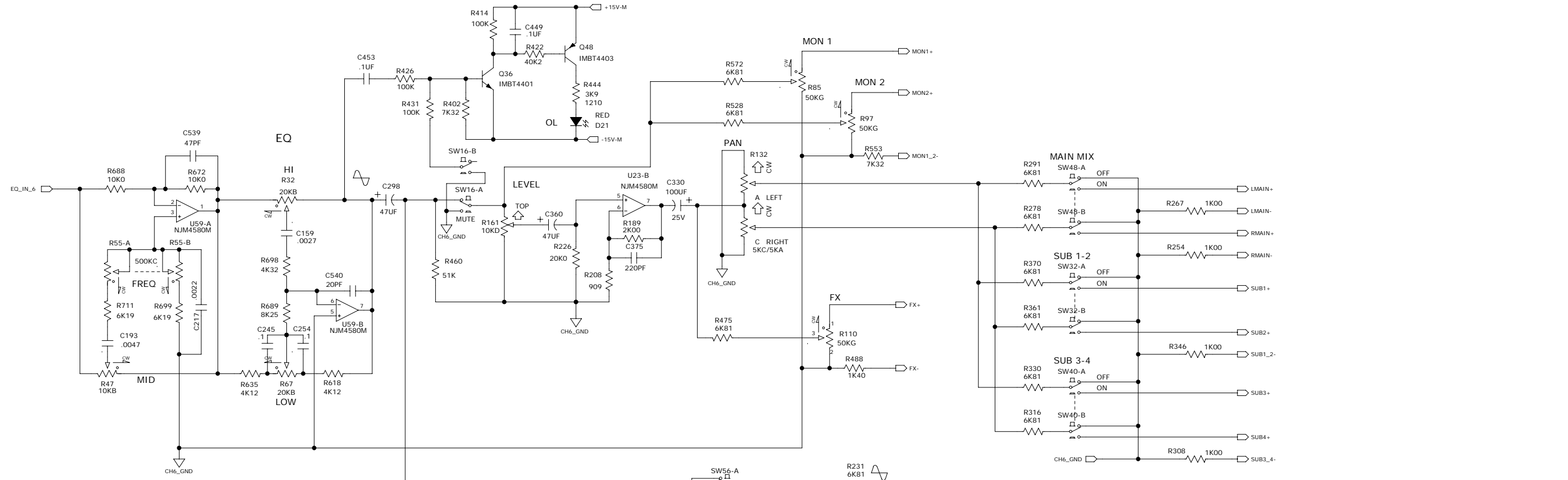
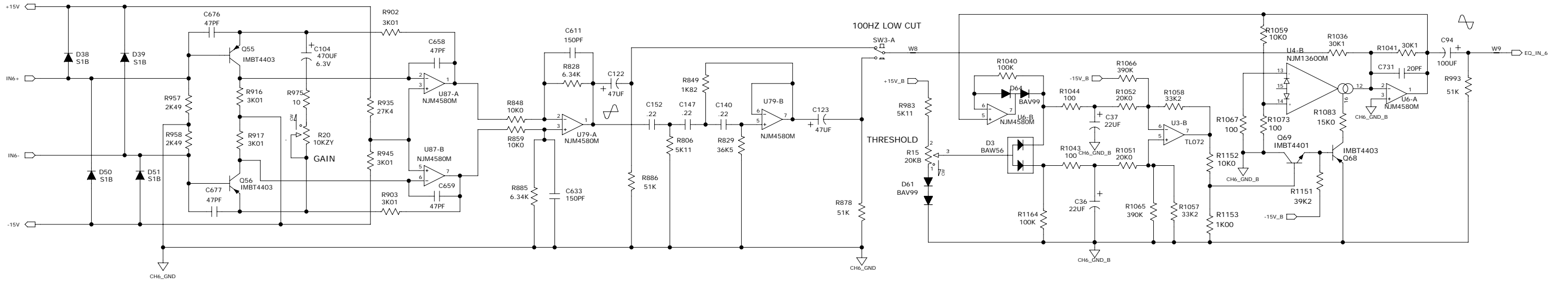
SIZE: D	SCALE: NONE	DWG. NO.: 2036158-XX	REV. C00
DWG. FILE:		SHEET 2 OF 17	



SHEMATIC, PROFX 16 MAIN PCB
CH5

SIZE: D	SCALE: NONE	DWG. NO.: 2036158-XX	REV. C00
DWG. FILE:		SHEET 3 OF 17	

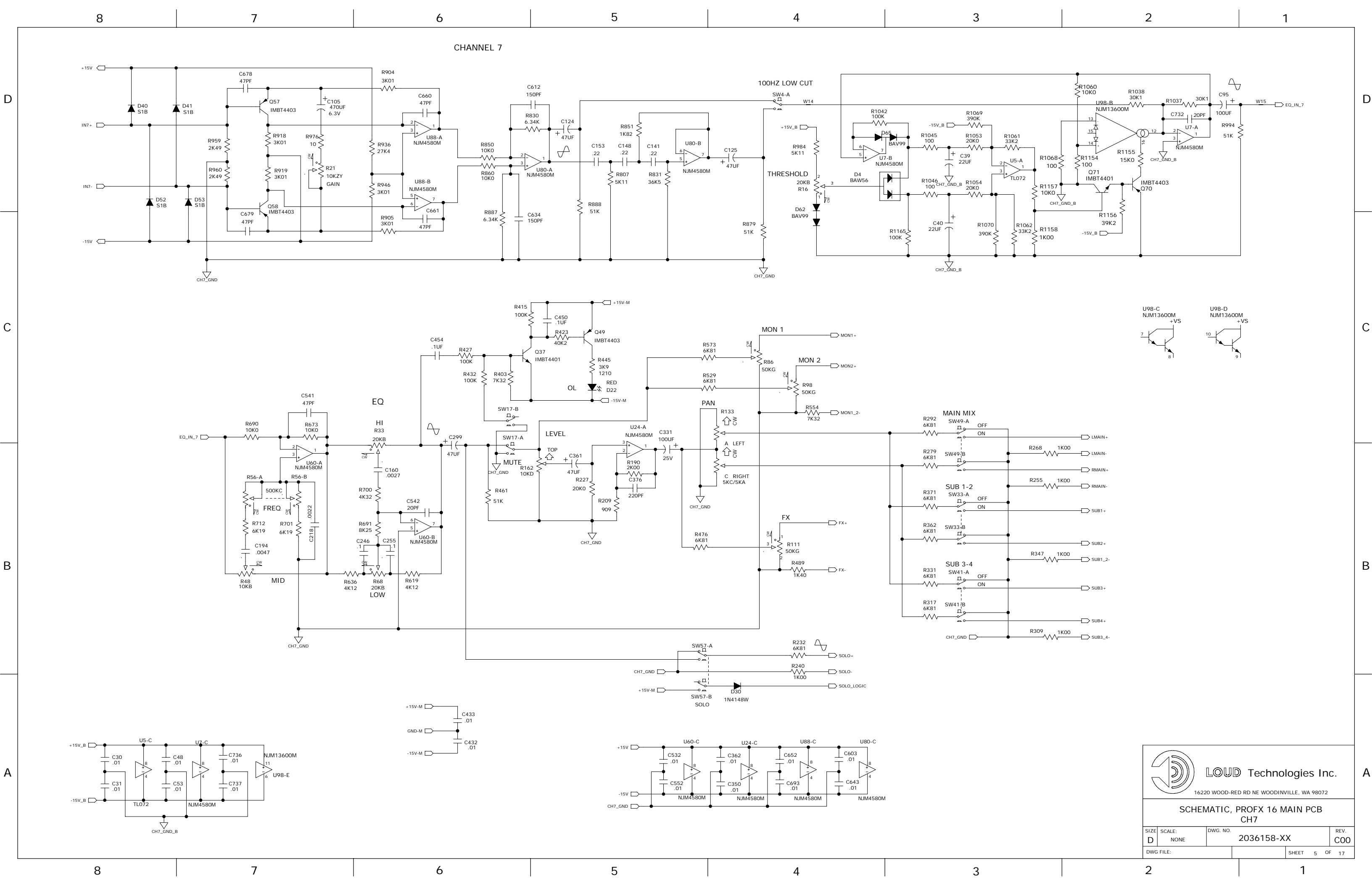
CHANNEL 6



LOUD Technologies Inc.
16220 WOOD-RED RD NE WOODINVILLE, WA 98072

SCHMATIC, PROFX 16 MAIN PCB
CH6

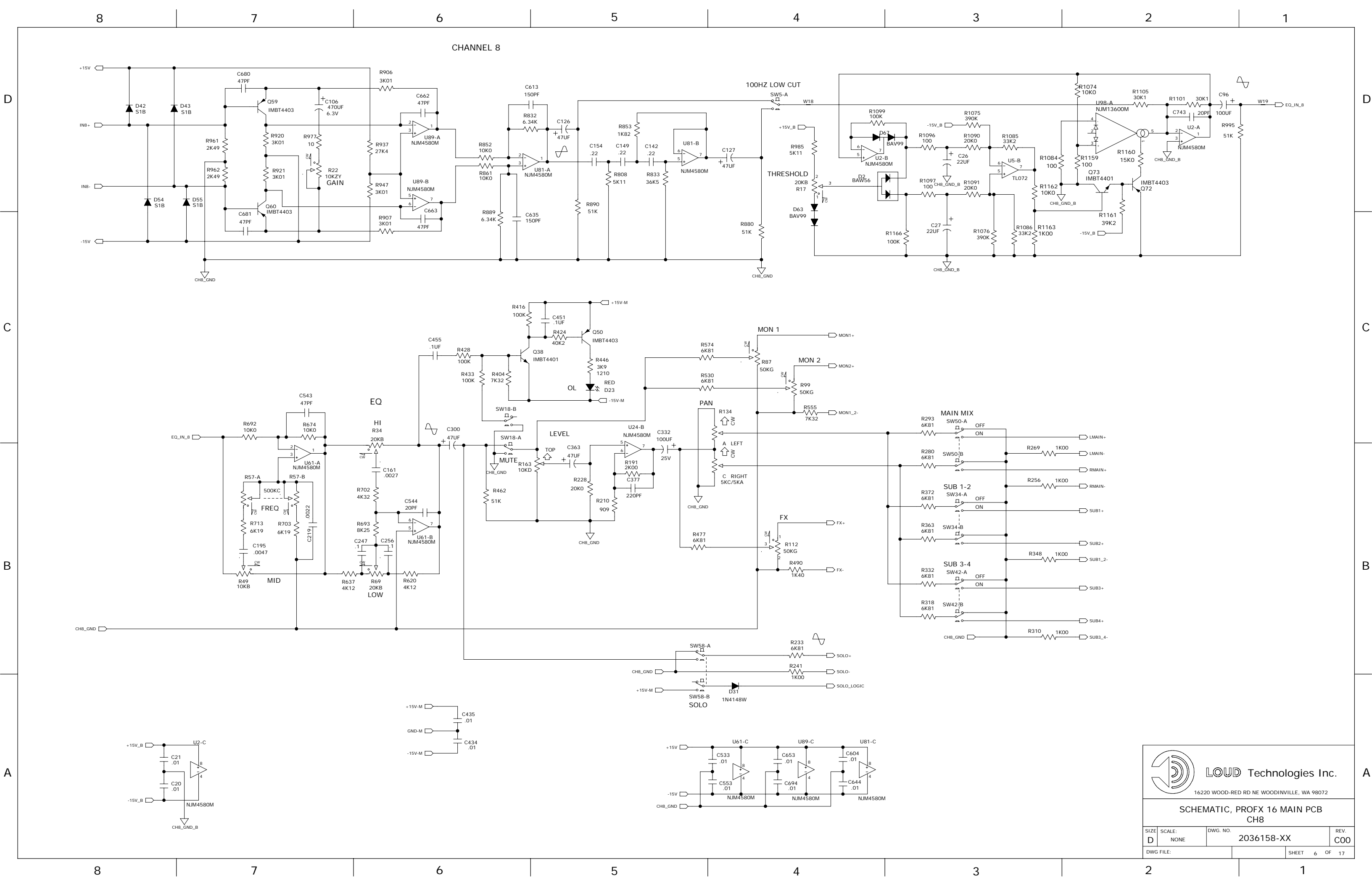
SIZE: D	SCALE: NONE	DWG. NO.: 2036158-XX	REV: C00
DWG. FILE:		SHEET 4 OF 17	



LOUD Technologies Inc.
 16220 WOOD-RED RD NE WOODINVILLE, WA 98072

SCHEMATIC, PROFX 16 MAIN PCB CH7

SIZE: D	SCALE: NONE	DWG. NO. 2036158-XX	REV. C00
DWG. FILE:		SHEET 5 OF 17	

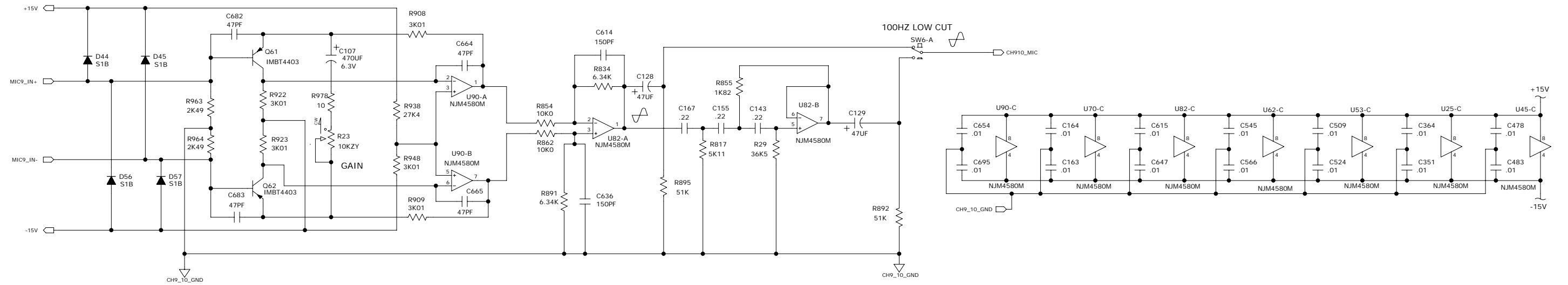


LOUD Technologies Inc.
16220 WOOD-RED RD NE WOODINVILLE, WA 98072

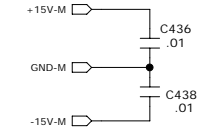
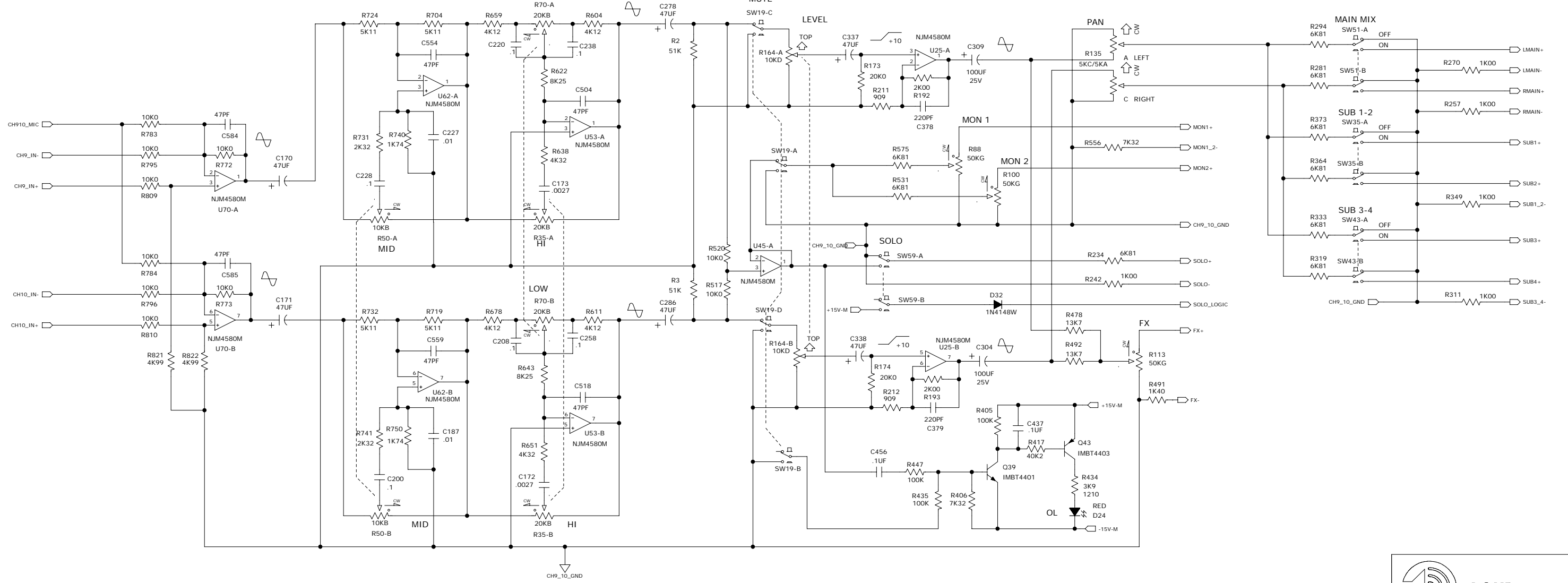
SCHEMATIC, PROFX 16 MAIN PCB CH8

SIZE: D	SCALE: NONE	DWG. NO.: 2036158-XX	REV. C00
DWG. FILE:		SHEET 6 OF 17	

CHANNEL 9/10



EQ



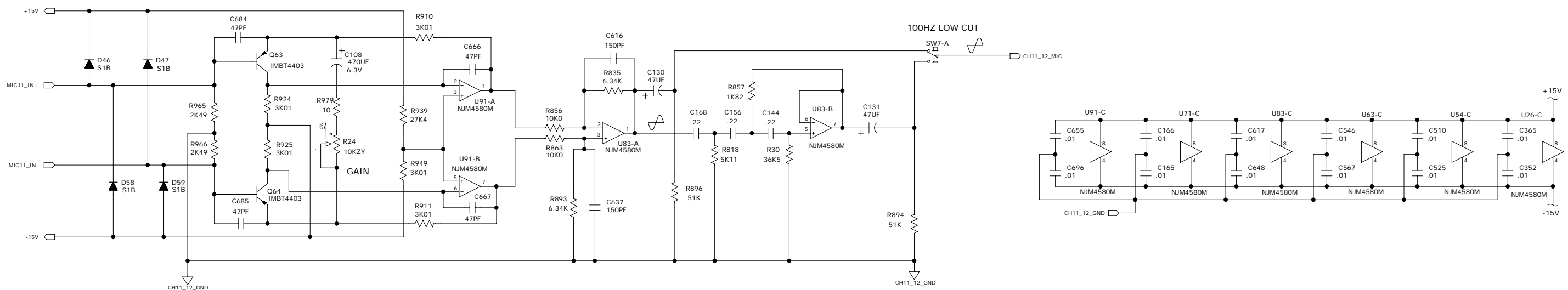
LOUD Technologies Inc.
 16220 WOOD-RED RD NE WOODINVILLE, WA 98072

**SCHEMATIC, PROFX 16 MAIN PCB
 CH9_10**

SIZE: D	SCALE: NONE	DWG. NO.: 2036158-XX	REV. COO
DWG. FILE:		SHEET 7 OF 17	

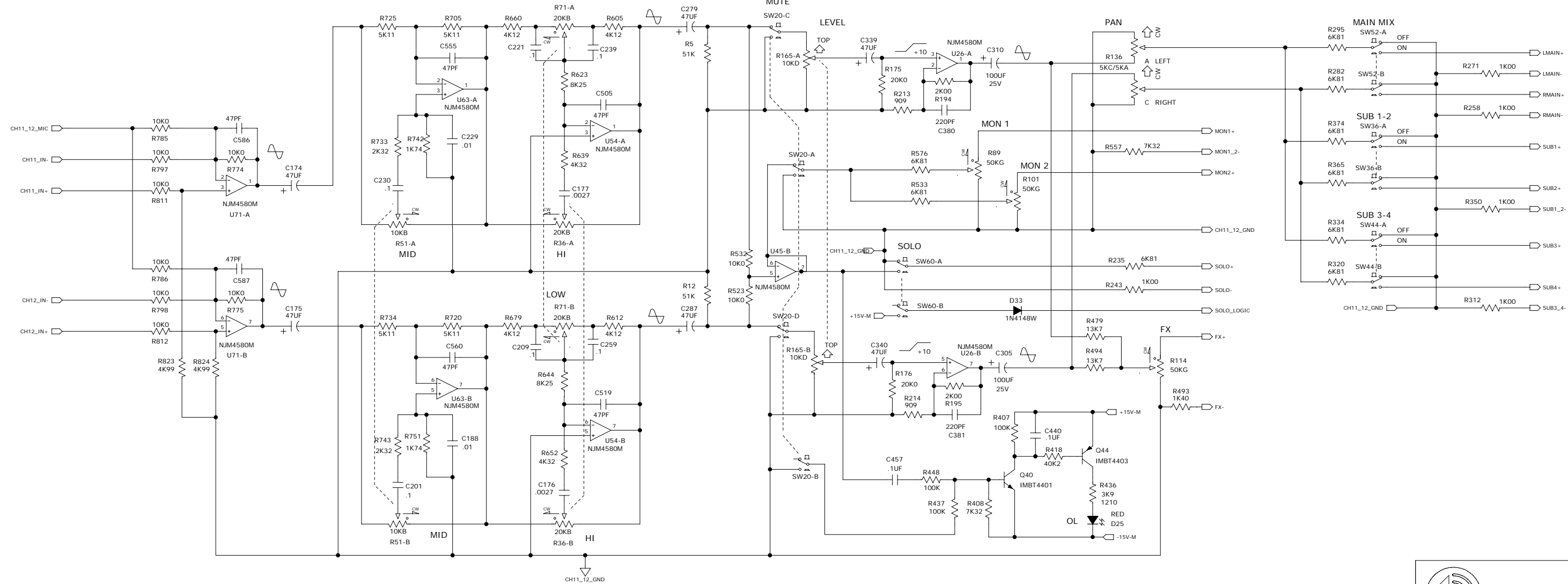
D

CHANNEL 11/12



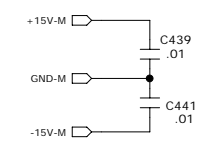
C

EQ



B

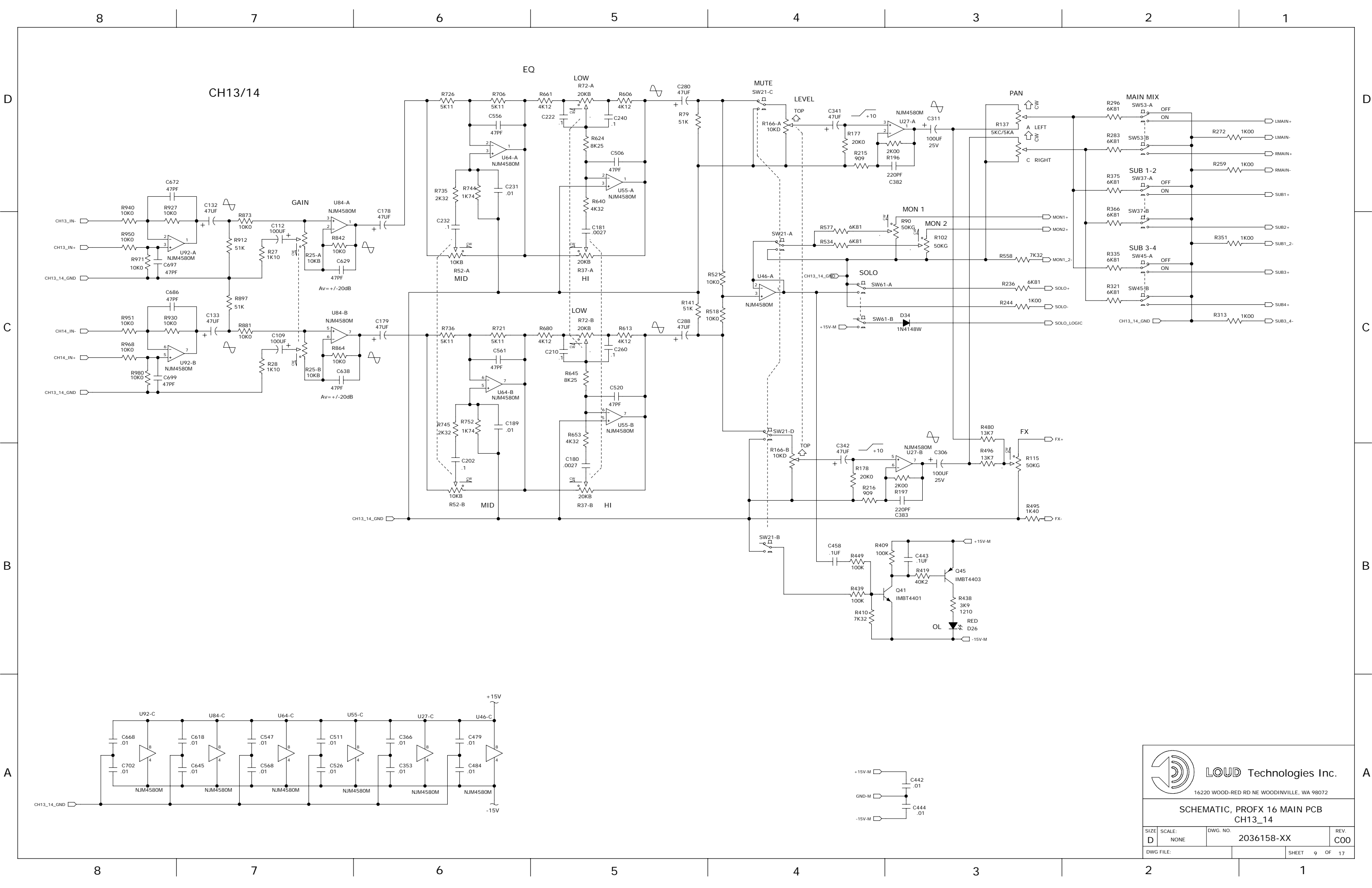
A




LOUD Technologies Inc.
 16220 WOOD-RED RD NE WOODINVILLE, WA 98072

SCHEMATIC, PROFX 16 MAIN PCB
CH11_12

SIZE: D	SCALE: NONE	DWG. NO.: 2036158-XX	REV. C00
DWG. FILE:		SHEET 8 OF 17	

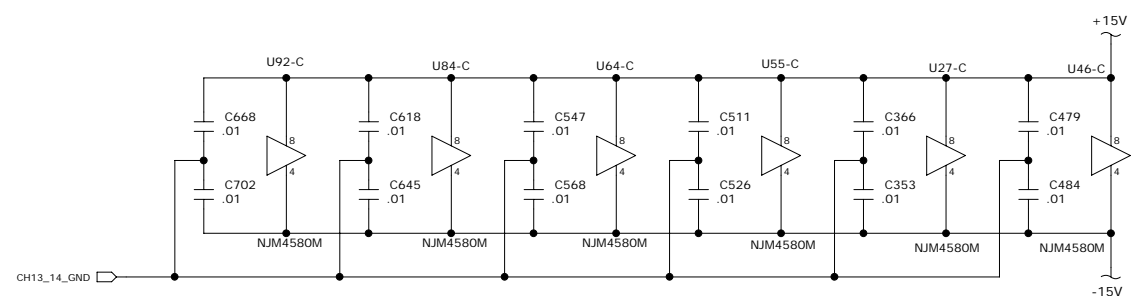
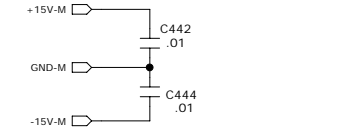


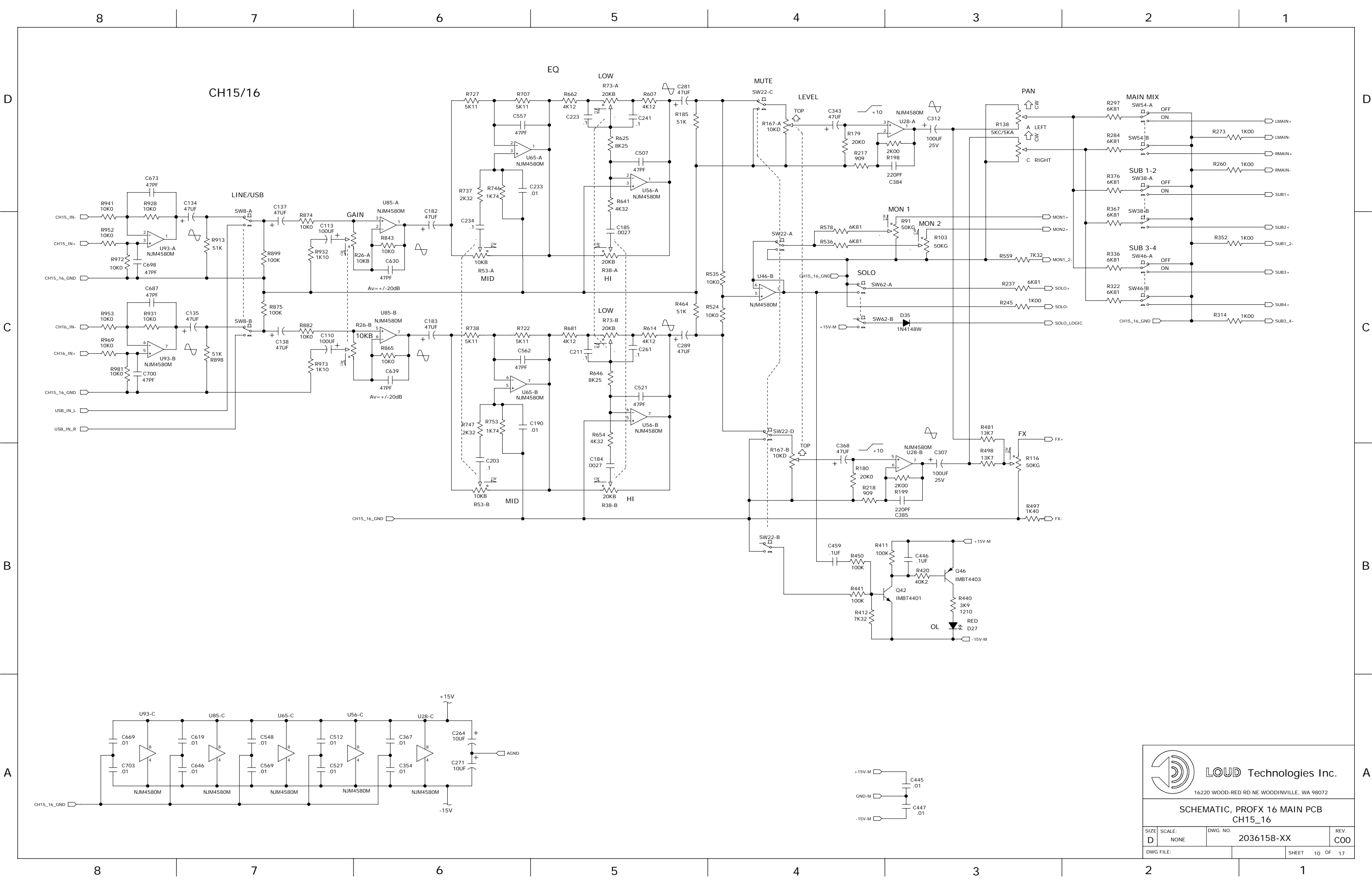


LOUD Technologies Inc.
16220 WOOD-RED RD NE WOODINVILLE, WA 98072

**SCHEMATIC, PROFX 16 MAIN PCB
CH13_14**

SIZE: D	SCALE: NONE	DWG. NO.: 2036158-XX	REV. C00
DWG. FILE:		SHEET 9 OF 17	

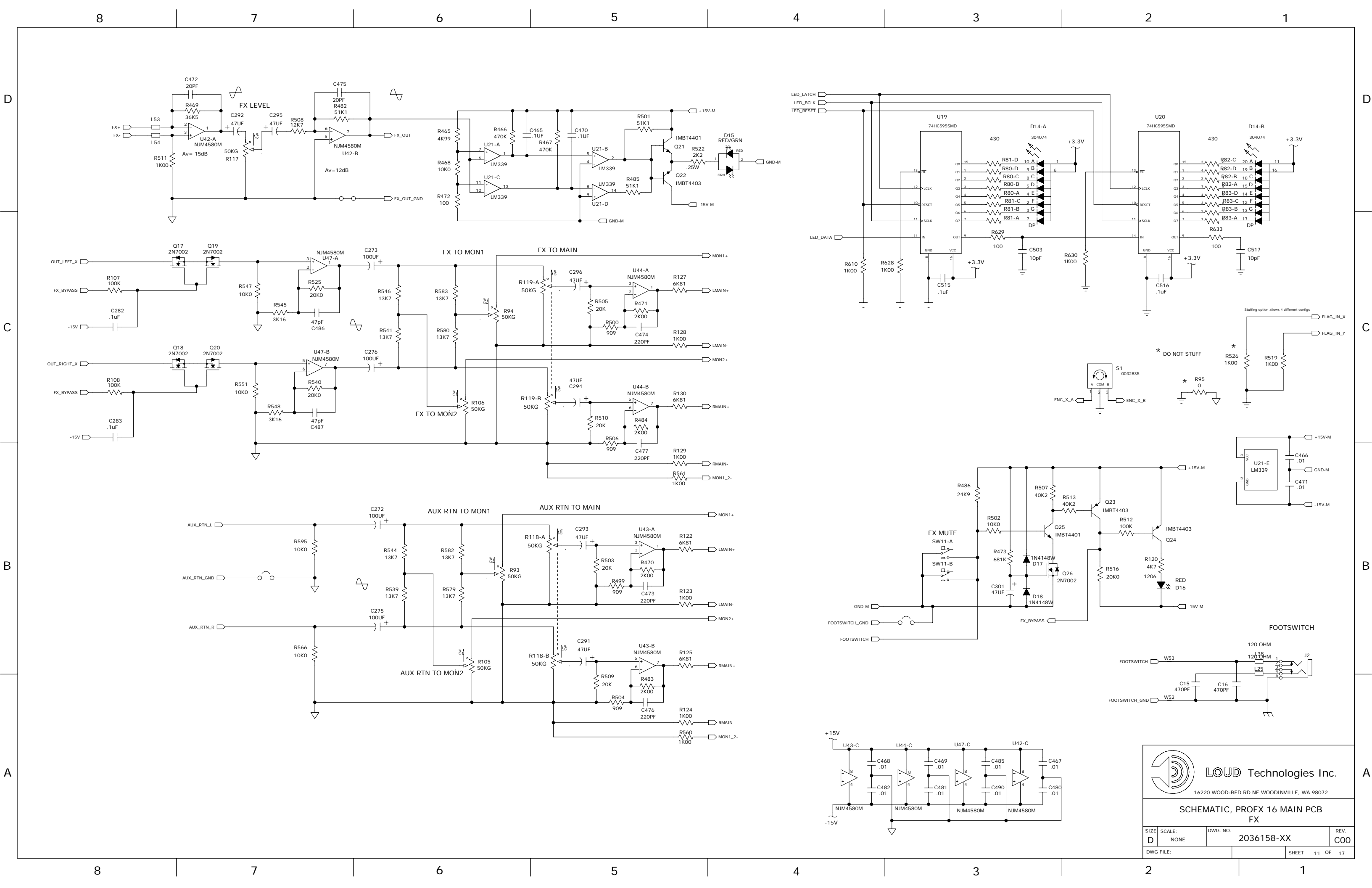




LOUD Technologies Inc.
 16220 WOOD-RED RD NE WOODINVILLE, WA 98072

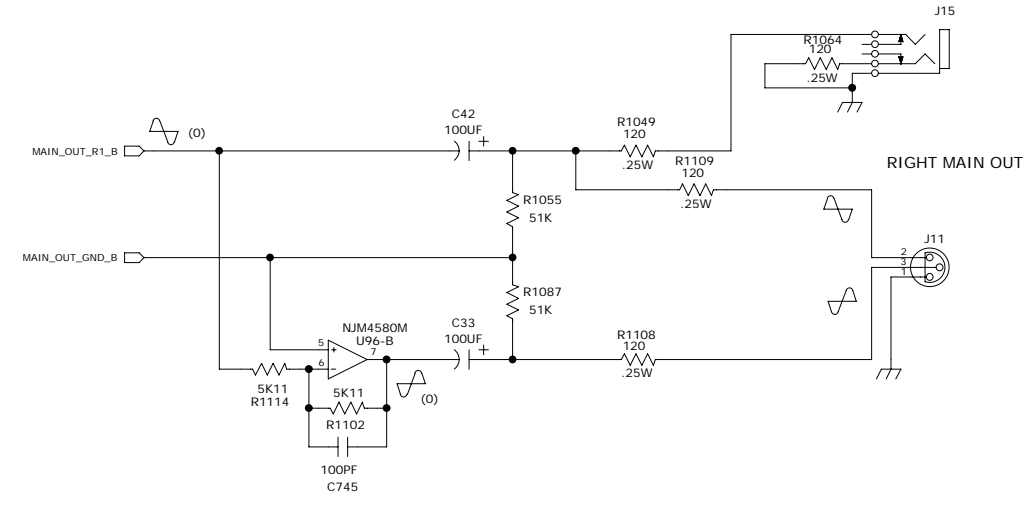
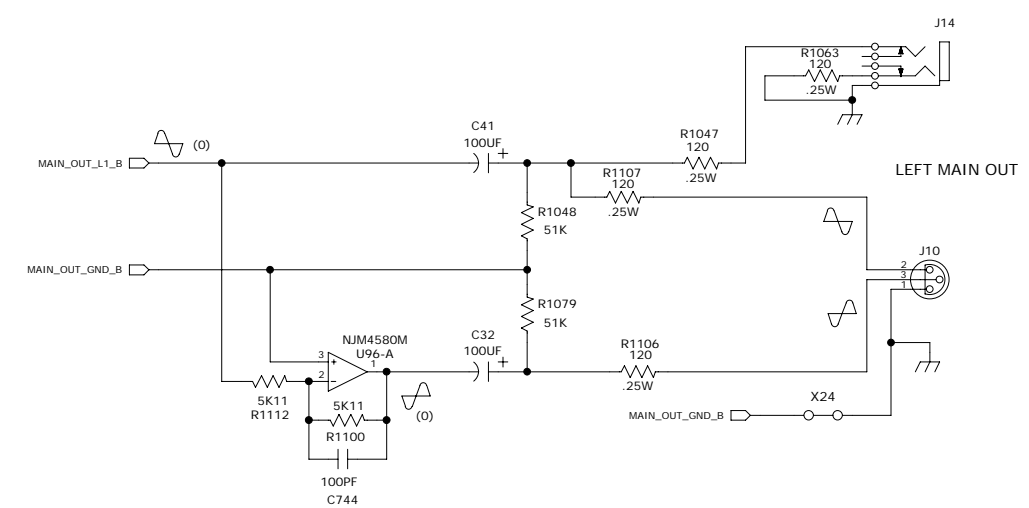
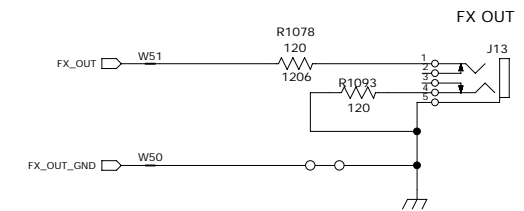
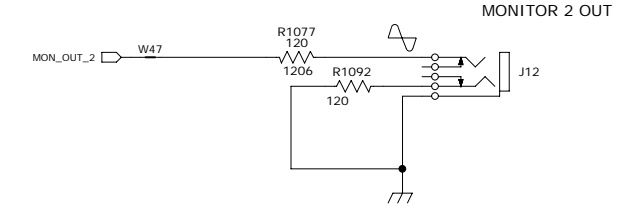
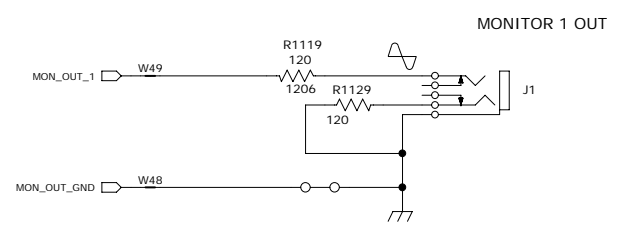
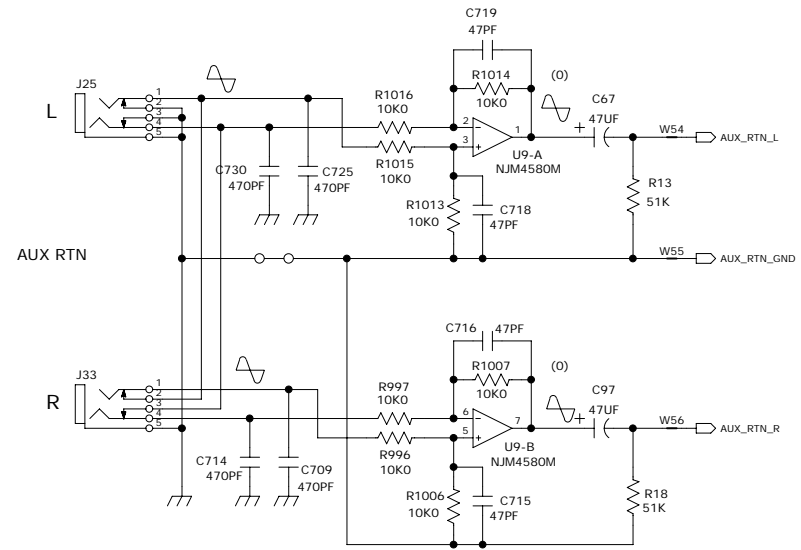
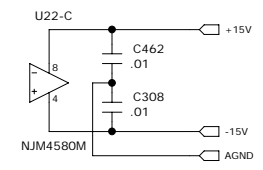
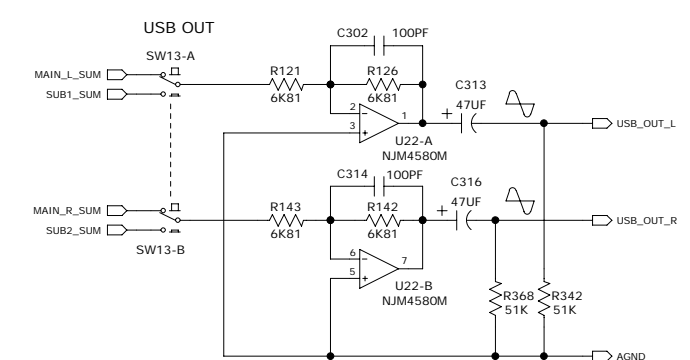
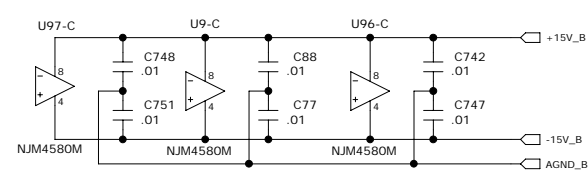
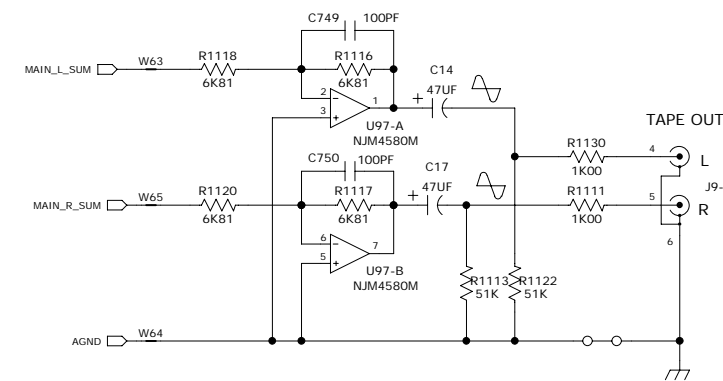
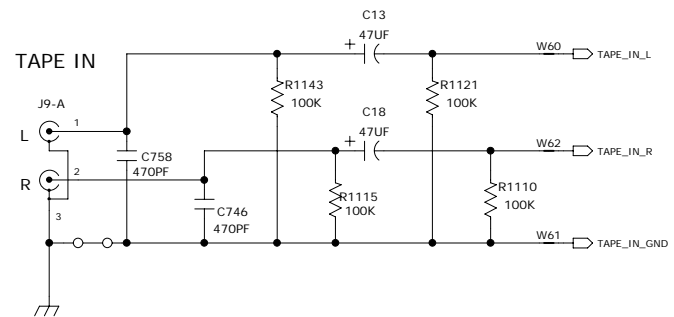
**SCHEMATIC, PROFX 16 MAIN PCB
 CH15_16**

SIZE: D	SCALE: NONE	DWG. NO.: 2036158-XX	REV. C00
DWG. FILE:		SHEET 10 OF 17	



SCHMATIC, PROFX 16 MAIN PCB FX

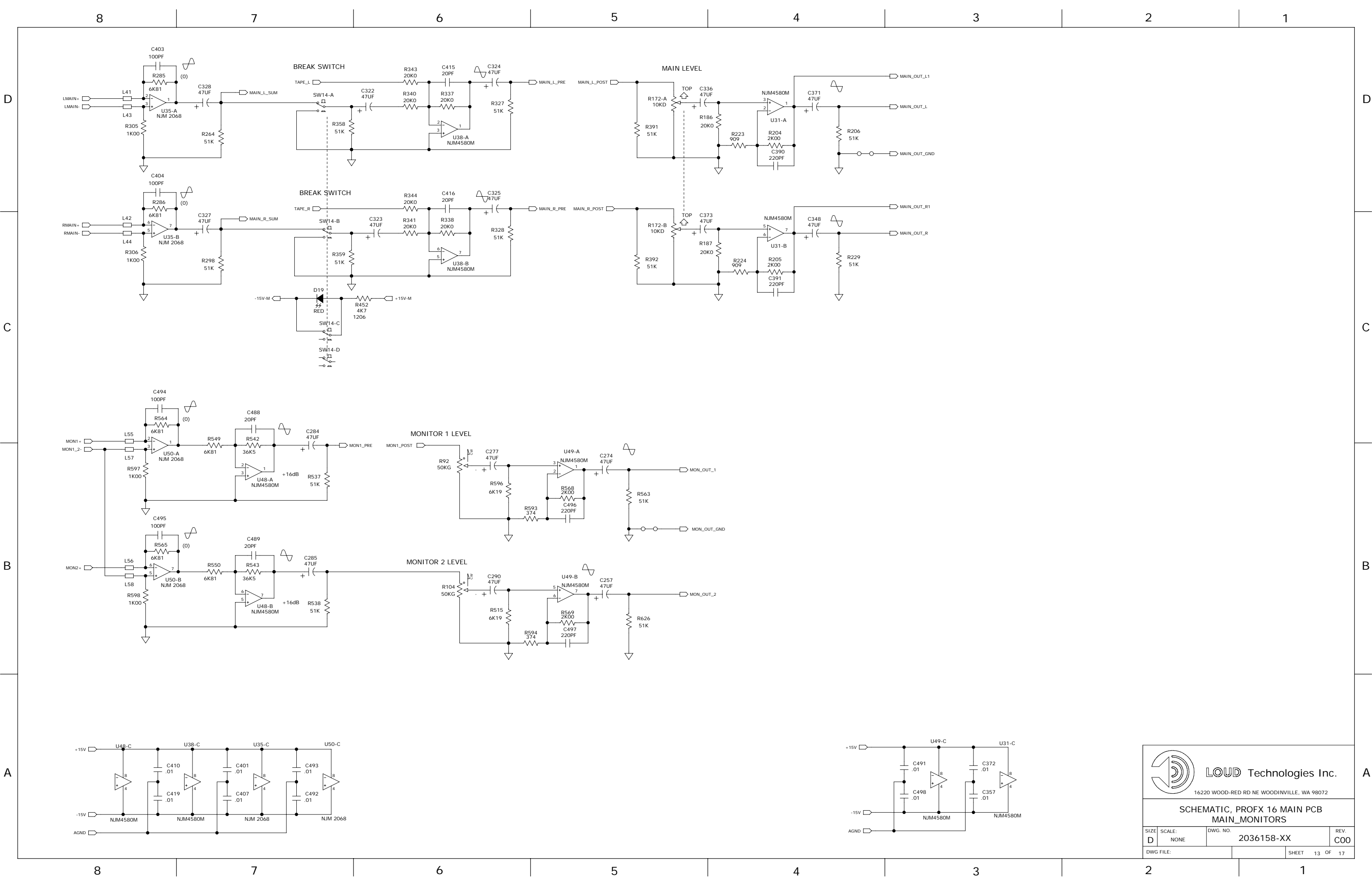
SIZE: D	SCALE: NONE	DWG. NO.: 2036158-XX	REV. C00
DWG. FILE:		SHEET 11 OF 17	



LOUD Technologies Inc.
16220 WOOD-RED RD NE WOODINVILLE, WA 98072

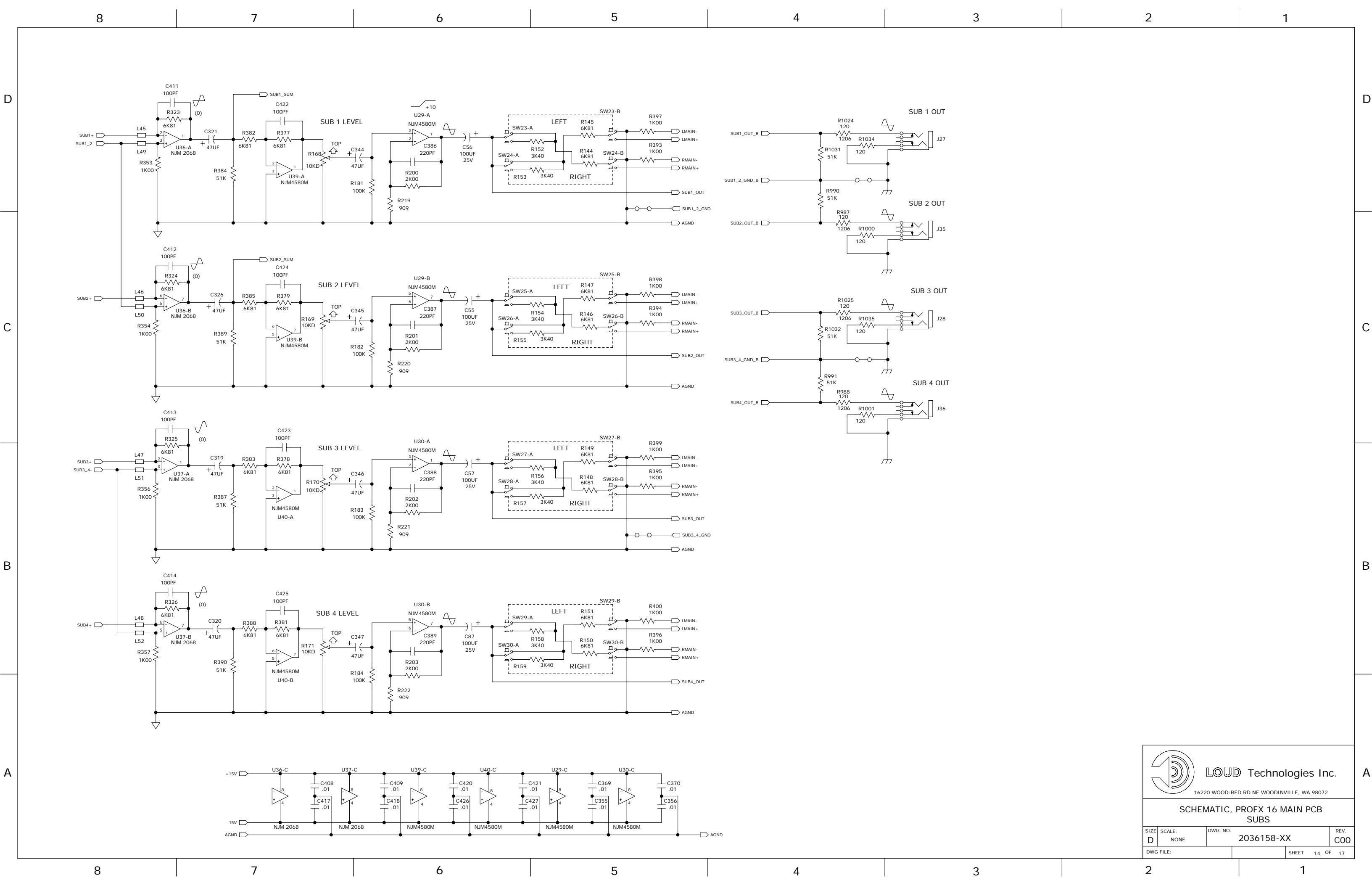
SCHMATIC, PROFX 16 MAIN PCB
INS_OUTS_RTNS


SIZE: D	SCALE: NONE	DWG. NO.: 2036158-XX	REV. C00
DWG. FILE:		SHEET 12 OF 17	



**SCHMATIC, PROFX 16 MAIN PCB
MAIN_MONITORS**

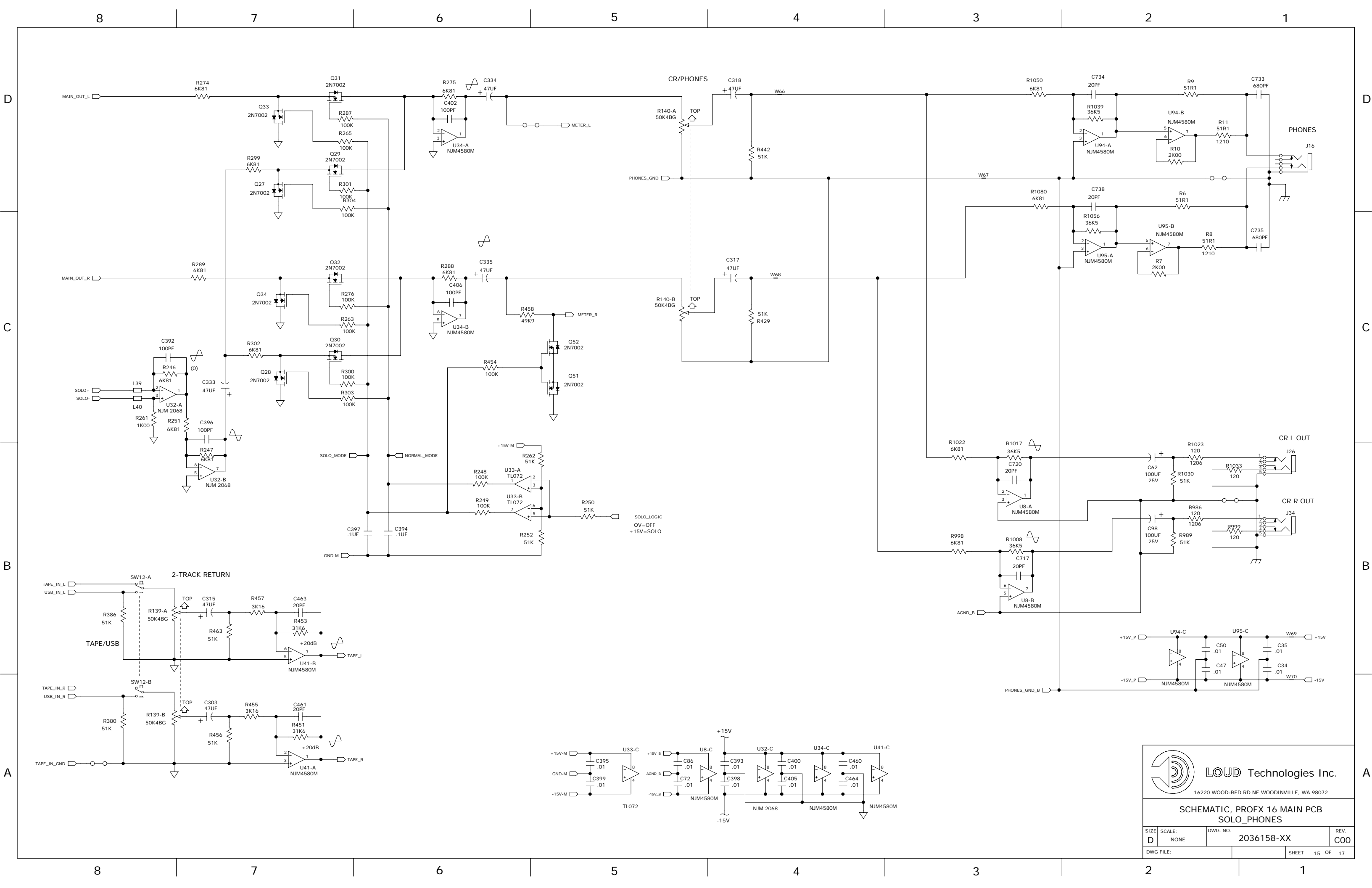
SIZE: D	SCALE: NONE	DWG. NO.: 2036158-XX	REV. C00
DWG. FILE:		SHEET 13 OF 17	




LOUD Technologies Inc.
 16220 WOOD-RED RD NE WOODINVILLE, WA 98072

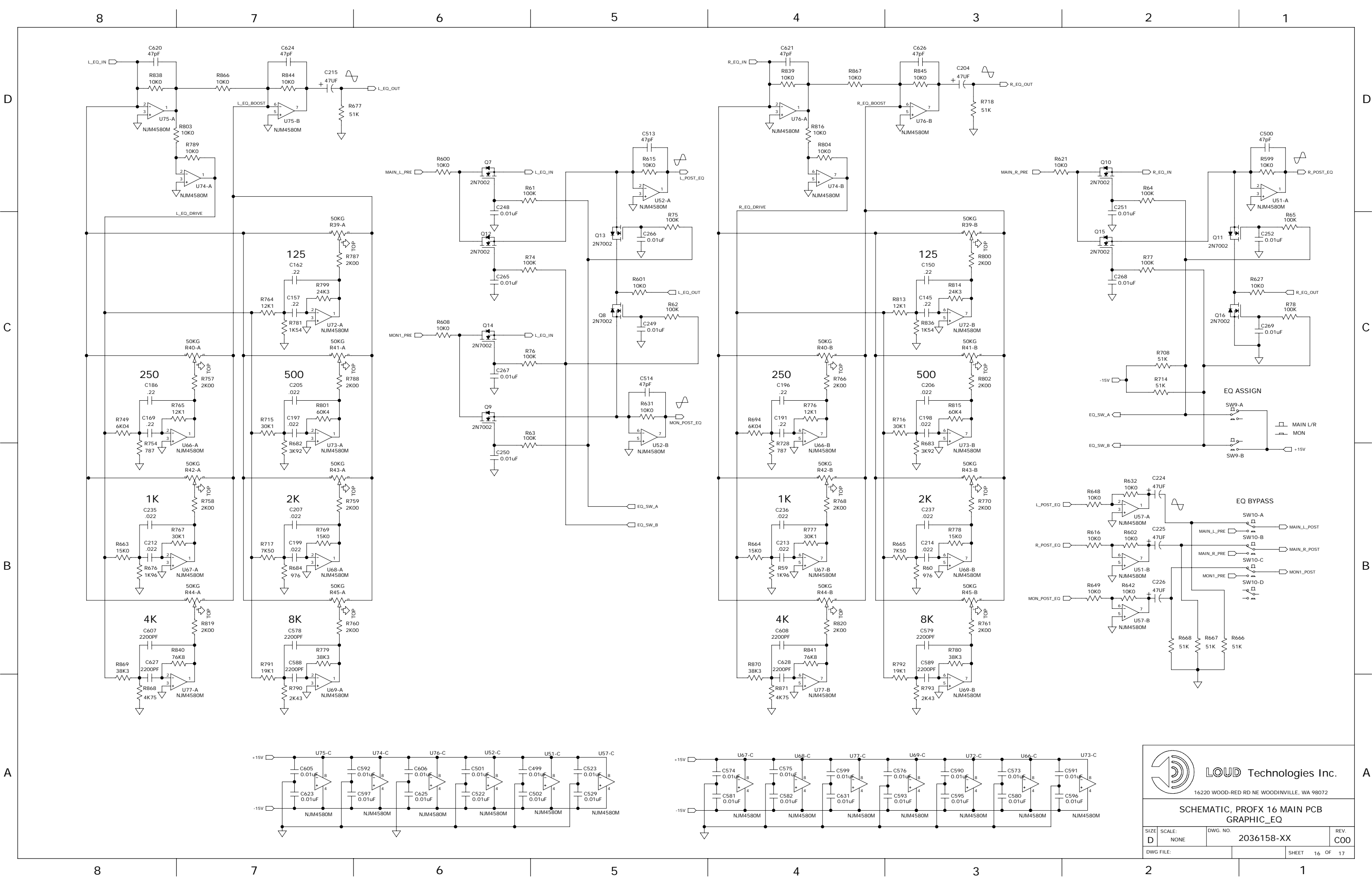
SCHEMATIC, PROFX 16 MAIN PCB SUBS


SIZE: D	SCALE: NONE	DWG. NO.: 2036158-XX	REV. C00
DWG. FILE:		SHEET 14 OF 17	



SCHMATIC, PROFX 16 MAIN PCB
SOLO_PHONES

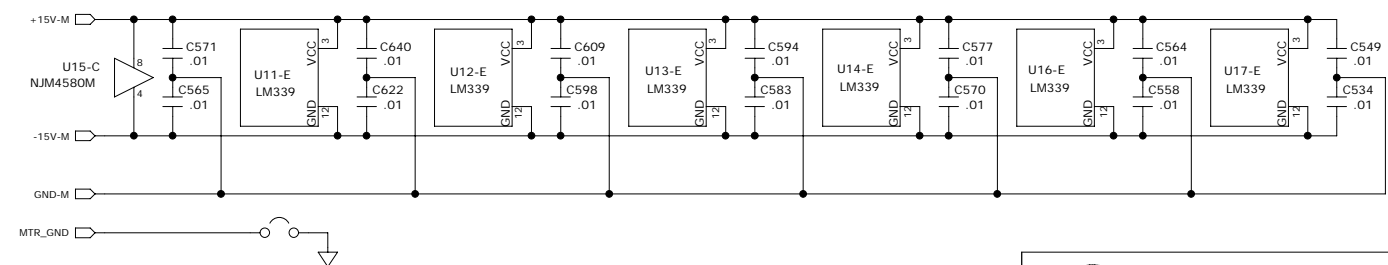
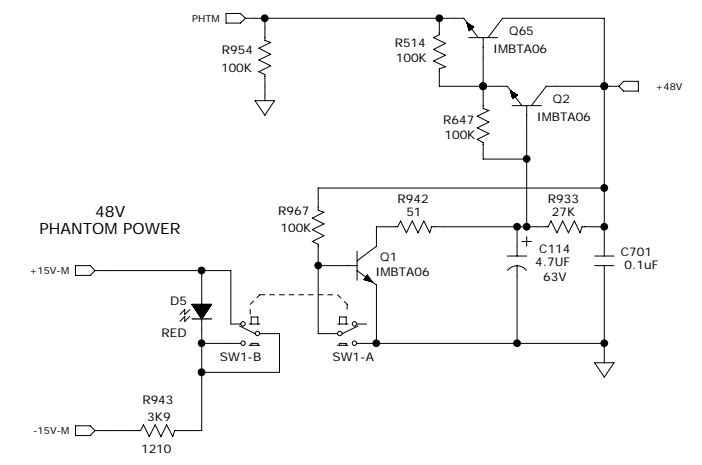
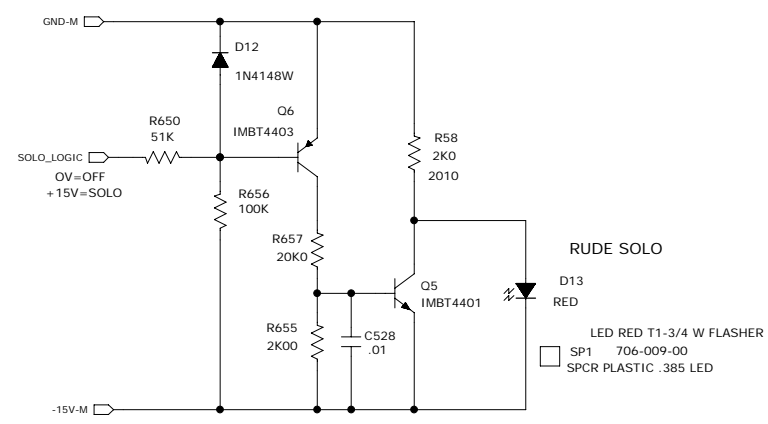
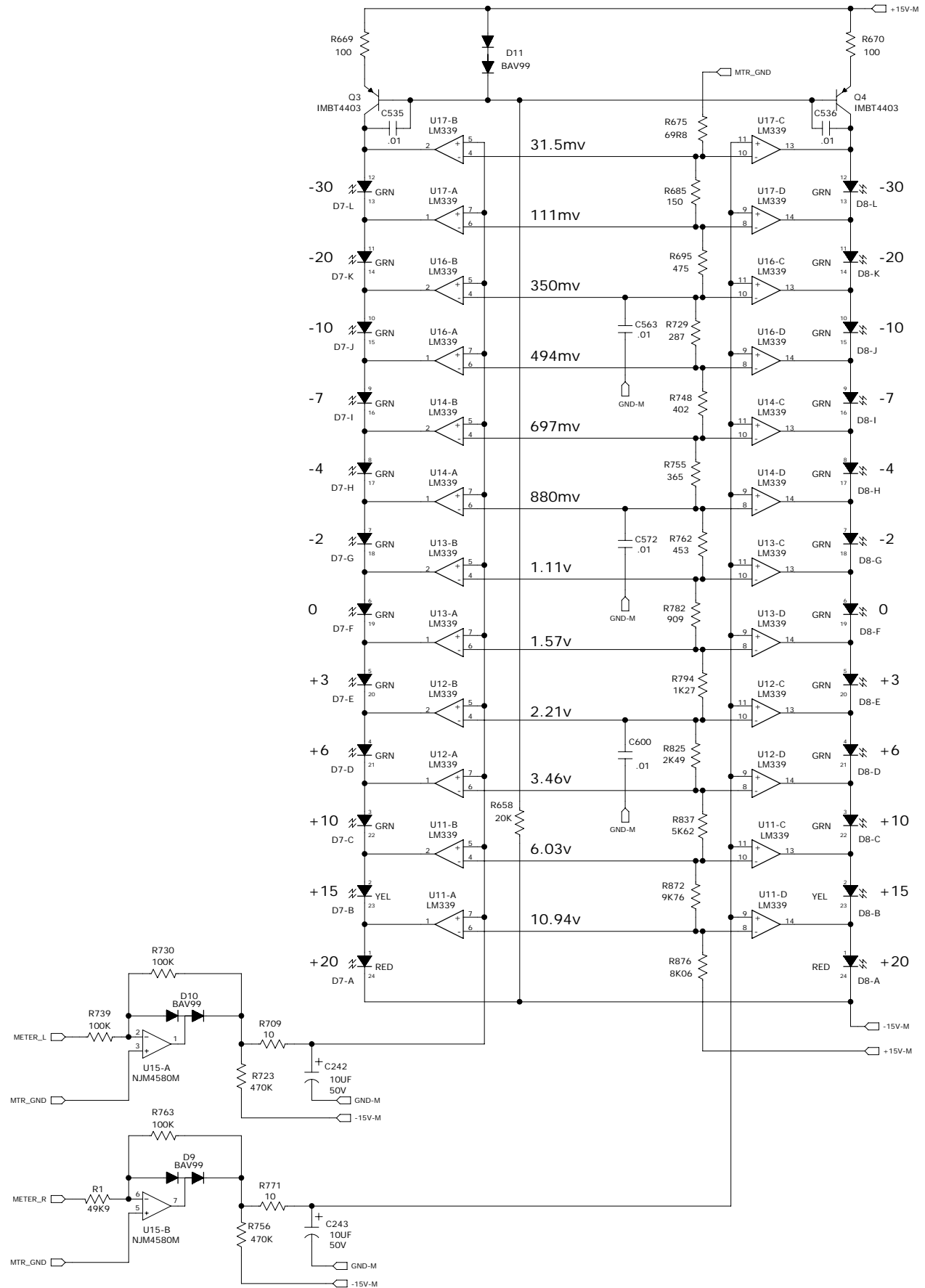
SIZE: D	SCALE: NONE	DWG. NO.: 2036158-XX	REV. C00
DWG. FILE:		SHEET 15 OF 17	




LOUD Technologies Inc.
 16220 WOOD-RED RD NE WOODINVILLE, WA 98072

SCHEMATIC, PROFX 16 MAIN PCB
GRAPHIC_EQ

SIZE: D	SCALE: NONE	DWG. NO.: 2036158-XX	REV. C00
DWG. FILE:		SHEET 16 OF 17	



SCHEMATIC, PROFX 16 MAIN PCB METERS

SIZE: D	SCALE: NONE	DWG. NO.: 2036158-XX	REV. C00
DWG. FILE:		SHEET 17 OF 17	