

A

B

C

D

1

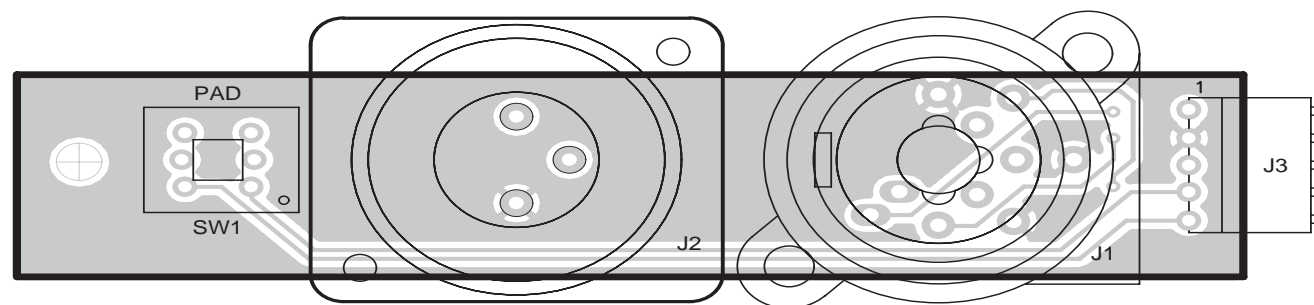
1



TOP ARTWORK

2

2



BOTTOM ARTWORK

BOTTOM VIEW

MAIN IN A
 GND
 MAIN IN B
 THRU A
 THRU B

3

3

4


4

NOTES:
 1. APPLY RTV SILICONE SEALANT PER SLM DOCUMENT NUMBER 00A005-00

CAUTION:
 THIS ASSEMBLY DRAWING IS PROVIDED FOR USE BY QUALIFIED PERSONNEL.
 TO AVOID RISK OF ELECTRIC SHOCK, REFER SERVICING TO QUALIFIED SERVICE PERSONNEL.
 DO NOT PERFORM ANY SERVICING BEYOND THAT EXPLAINED IN THE OPERATING INSTRUCTIONS.

300	10/02/06	RE-WIRE PAD SW, ADD R4,5		WFB		
200	06/06/06	SECOND SAMPLE/ADDED PAD SW		WFB		
100	04/18/06	INITIAL SAMPLE		WFB		
REV	Date	DESCRIPTION	Ecr(s)/Ecn(s)	Chgd By	Appvd by	Date

THE INFORMATION CONTAINED ON THIS DRAWING IS PROPRIETARY TO
 ST. LOUIS MUSIC, INC.

Signatures:		Date:	 1901 Congressional, St. Louis, MO 63146
Drawn:	WFB	1/26/06	
Checked:			
Released:			
Plot Date:	Mon Oct 02, 2006	Drawing Size:	A
Plot Time:	08:24:32	Drawing Type:	ASSEMBLY
Tolerance:		Class Code:	NONE
Sheet 1 of 1		Drawing Title:	I/O BOARD
		Drawing Number:	15851PWA

A

B

C

D

8

7

6

5

4

3

2

1

D

D

C

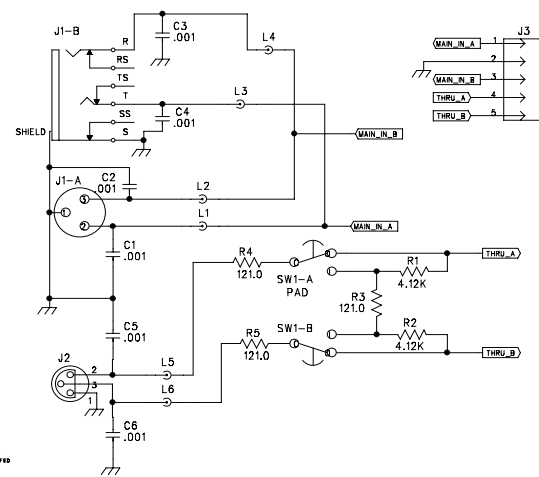
C

B

B

A


A



CAUTION:
 THIS SCHEMATIC IS PROVIDED FOR USE BY QUALIFIED PERSONNEL.
 TO AVOID RISK OF ELECTRIC SHOCK, REFER TO QUALIFIED SERVICE PERSONNEL. DO NOT REPAIR AND SERVICE DEVICES THAT IS DESCRIBED IN THE OPERATING INSTRUCTIONS.

NOTES:
 1. CAPACITOR BODY HEIGHT:
 THE MAXIMUM CAPACITOR HEIGHT IS 1.5mm. COMPONENT HEIGHT AND ALL SOLDER PASTE SUPPLY IS PROVIDED BEFORE TYPING DRAWING FILE.
 2. JAVIERE NOTED, RESISTOR VALUES IN OHMS, 1/16-IN. TOL. CAPACITOR VALUES IN MICROFARADS, 10%-20% TOL.
 3. ALL VALUES ARE INDICATED WITH 1 BEARING AND 0.001mm TOL. AND IN MILLIMETER UNITS.

©2006 LOUD TECHNOLOGIES INC.
 ALL RIGHTS RESERVED
 THE INFORMATION CONTAINED HEREIN
 IS PROPRIETARY AND CONFIDENTIAL
 PROPERTY OF LOUD TECHNOLOGIES INC.

APPROVALS	DATE	 LOUD Technologies Inc. 16220 WOOD-RED RD NE WOODINVILLE, WA 98072	SWEETSPOT BACK		
DRAWN:					
CHECKED:					
NP ENG:					
MATERIAL:					
MFG:		SIZE: D	SCALE: NONE	DWG. NO. SCH0015851	REV. A01
MFG ENG:		DWG FILE:		SHEET 1 OF 1	
ISSUED:					

8

7

6

5

4

3

2

1

7

6

5

4

3

1

D

D

C

C

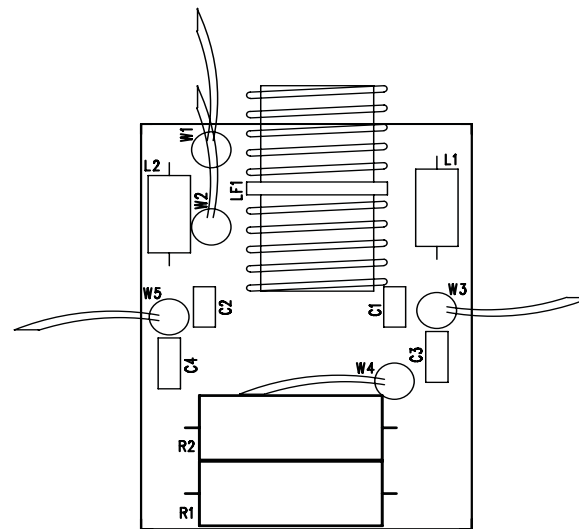
B

B

A


A

ASSEMBLY TOP



LOUD TECHNOLOGIES INC. 0020718-01 REV:B00

©2007 LOUD TECHNOLOGIES INC.
 ALL RIGHTS RESERVED
 THE INFORMATION CONTAINED HEREIN
 IS PROPRIETARY AND CONFIDENTIAL
 PROPERTY OF LOUD TECHNOLOGIES INC.

<small>UNLESS OTHERWISE SPECIFIED DIMENSIONS ARE IN INCHES TOLERANCES ARE: FRACTIONS: DECIMALS: ANGLES: ±NA .XX ±NA ±NA .XXX ±NA</small>	APPROVALS	DATE	 LOUD Technologies Inc. <small>16220 WOOD-RED RD NE WOODINVILLE, WA 98072</small>	
	DRAWN:			PCB ASSY, SWEETSPOT FILTER
	CHECKED:			
	MP ENGINEERING:			
	MATERIAL:			
FINISH:			<small>SIZE SCALE: DWG. NO. 0020719-00 REV. B__</small>	
DO NOT SCALE DRAWING	ISSUED:		<small>DWG FILE: SHEET 1 OF 1</small>	

8

7

6

5

4

3

2

1

D

D

C

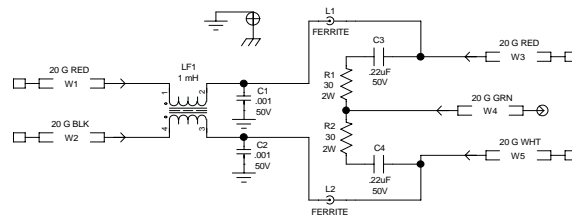
C

B

B


A

A



PWB1 0020718-01
PCB FAB - SWEETSPOT FILTER

© 2007 LOUD TECHNOLOGIES INC.
ALL RIGHTS RESERVED
THE INFORMATION CONTAINED HEREIN
IS PROPRIETARY AND CONFIDENTIAL
PROPERTY OF LOUD TECHNOLOGIES INC.

APPROVALS	DATE	 LOUD Technologies Inc. 16220 WOOD-RED RD NE WOODINVILLE, WA 98072	SCHEMATIC, SWEETSPOT FILTER		
DRAWN:					
CHECKED:					
NP ENG:					
MATERIAL:					
MFG:		SIZE	SCALE:	DWG. NO.	REV.
MFG ENG:		D	NONE	SCH0020719-00	B00
ISSUED:		DWG FILE:		SHEET 1 OF 1	

8

7

6

5

4

3

2

1

A

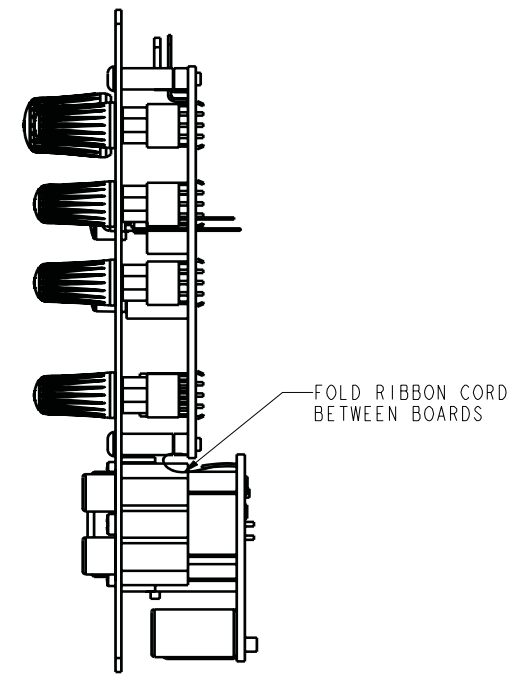
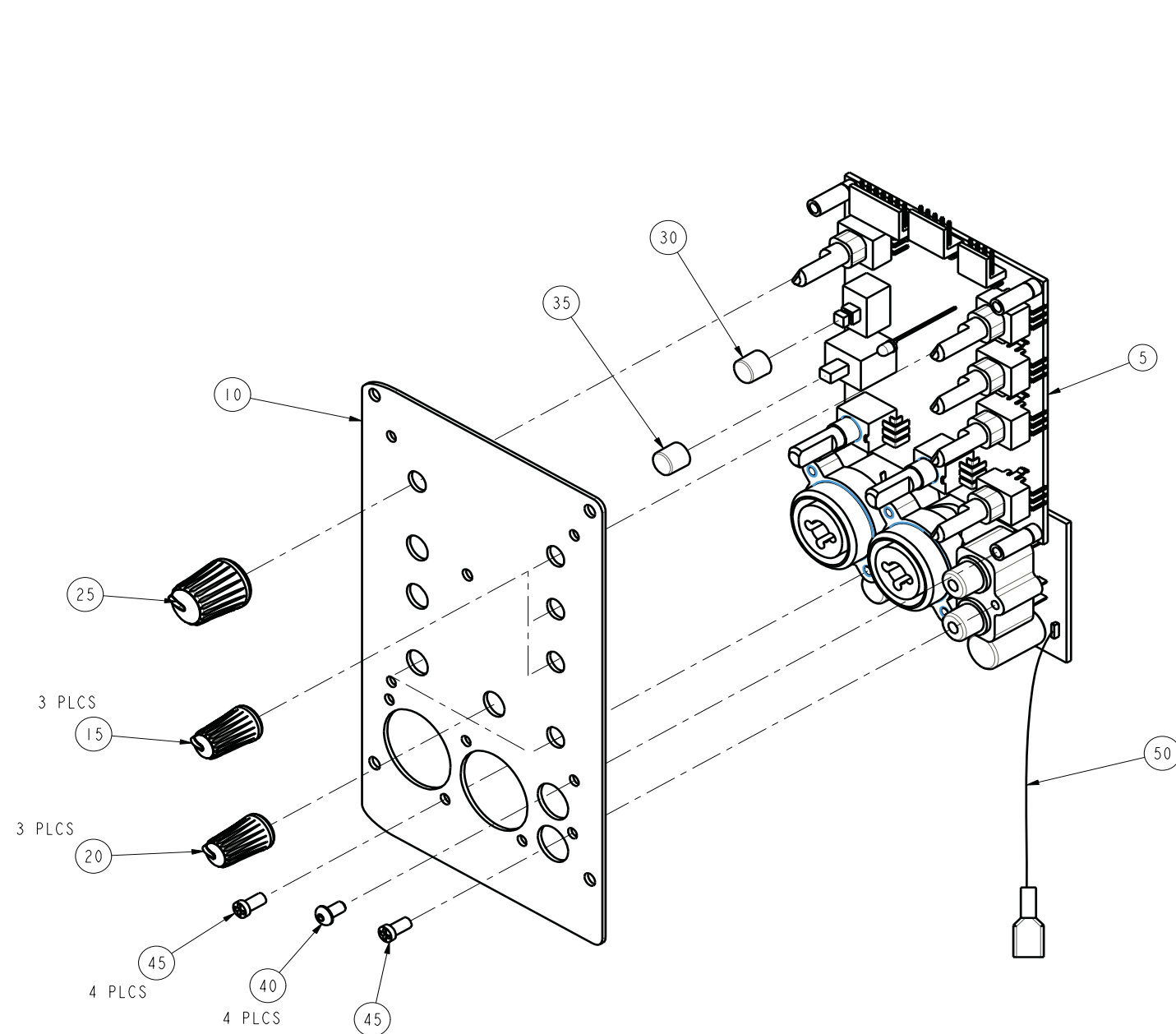
B

C

D

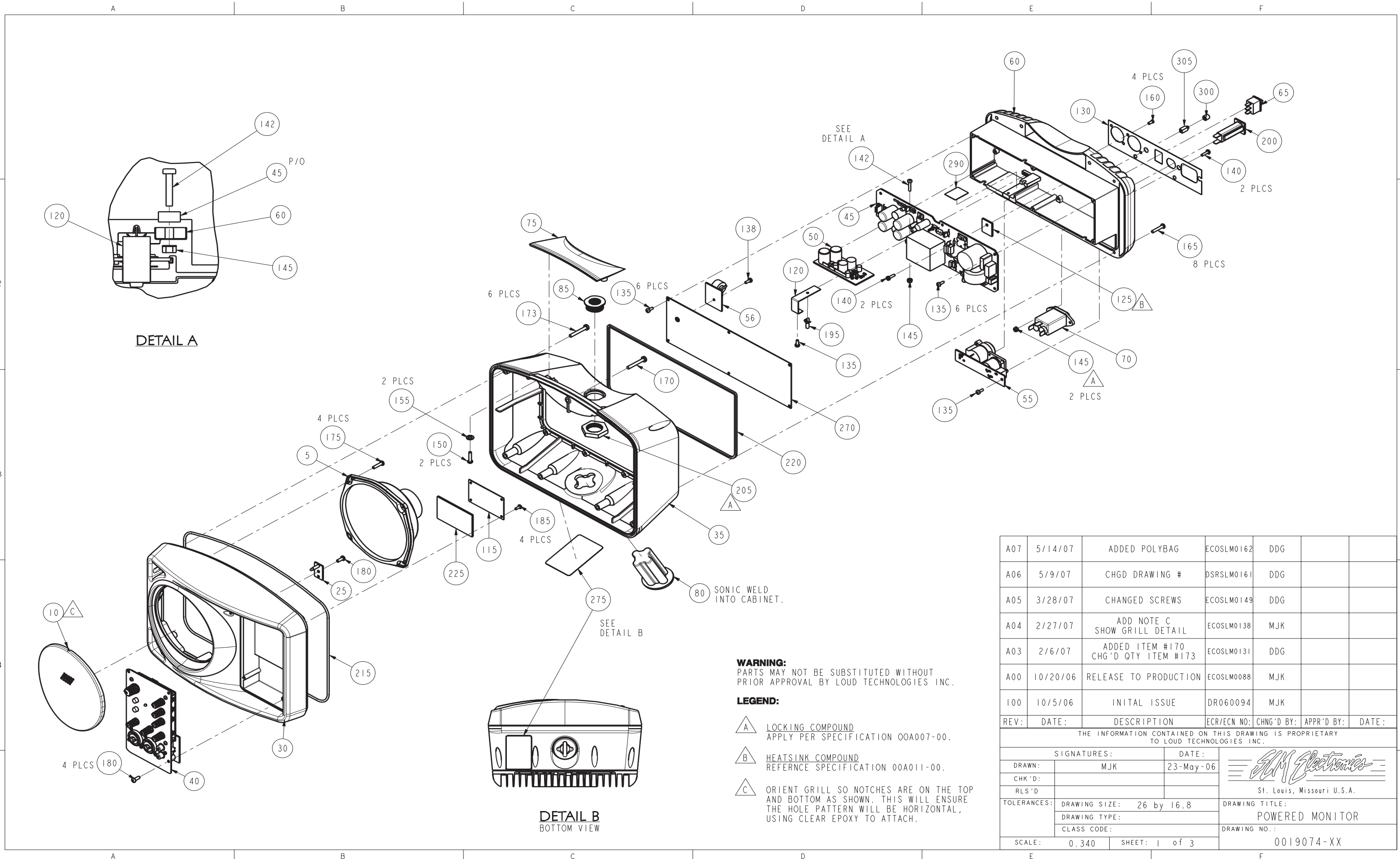
E

F



0019279

A00	9/27/06	RELEASE TO PRODUCTION	ECOSLM0073	MJK		
200	9/11/06	SAMPLE		MJK		
REV:	DATE:	DESCRIPTION	ECR/ECN NO:	CHNG'D BY:	APPR'D BY:	DATE:
THE INFORMATION CONTAINED ON THIS DRAWING IS PROPRIETARY TO LOUD TECHNOLOGIES INC.						
SIGNATURES:			DATE:			
DRAWN:	MJK		24-May-06			
CHK'D:						
RLS'D:						
TOLERANCES:	DRAWING SIZE: 26 by 16.8		DRAWING TITLE:			
	DRAWING TYPE:		CONTROL ASSY			
	CLASS CODE:		DRAWING NO.:			
SCALE:	1.000	SHEET:	1 of 1	0019279		



A07	5/14/07	ADDED POLYBAG	ECOSLM0162	DDG		
A06	5/9/07	CHGD DRAWING #	DSRSLM0161	DDG		
A05	3/28/07	CHANGED SCREWS	ECOSLM0149	DDG		
A04	2/27/07	ADD NOTE C SHOW GRILL DETAIL	ECOSLM0138	MJK		
A03	2/6/07	ADDED ITEM #170 CHG'D QTY ITEM #173	ECOSLM0131	DDG		
A00	10/20/06	RELEASE TO PRODUCTION	ECOSLM0088	MJK		
100	10/5/06	INITIAL ISSUE	DR060094	MJK		
REV:	DATE:	DESCRIPTION	ECR/ECN NO:	CHNG'D BY:	APPR'D BY:	DATE:
THE INFORMATION CONTAINED ON THIS DRAWING IS PROPRIETARY TO LOUD TECHNOLOGIES INC.						
SIGNATURES:			DATE:			
DRAWN:	MJK		23-May-06			
CHK'D:						
RLS'D:						
TOLERANCES:	DRAWING SIZE: 26 by 16.8		DRAWING TITLE:			
	DRAWING TYPE:		POWERED MONITOR			
	CLASS CODE:		DRAWING NO.:			
SCALE:	0.340	SHEET:	1 of 3	0019074-XX		

A

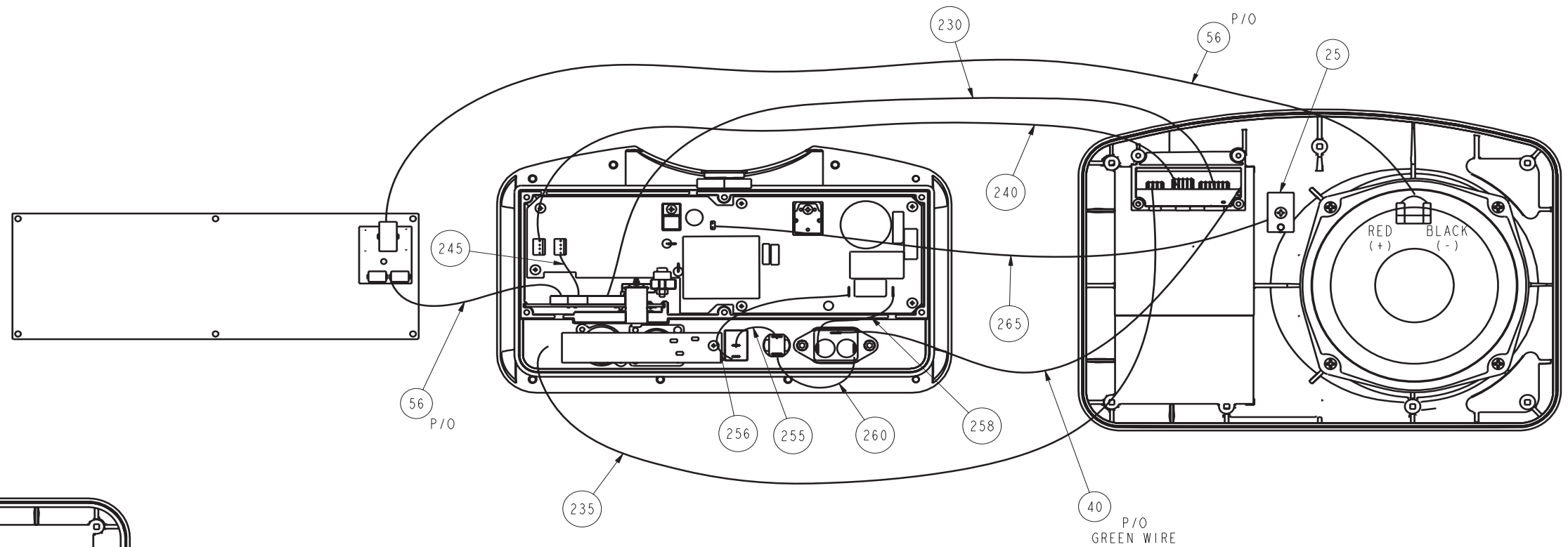
B

C

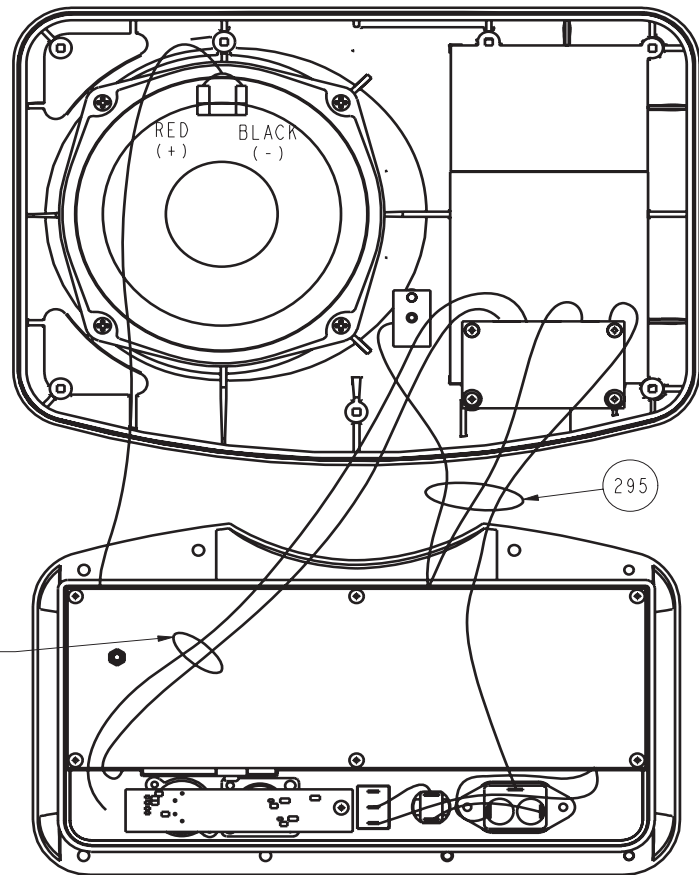
D

E

F

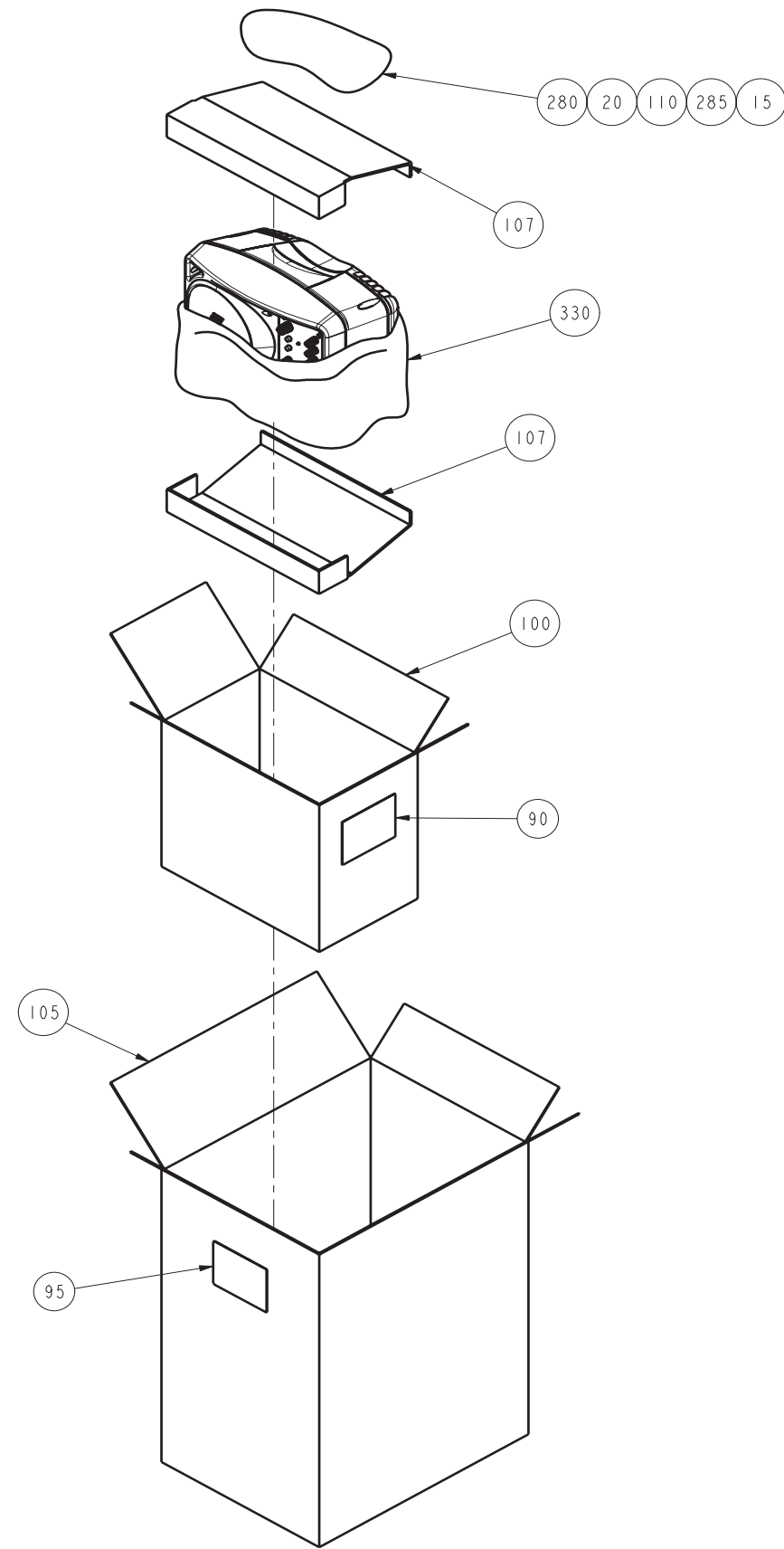


WIRING DIAGRAM

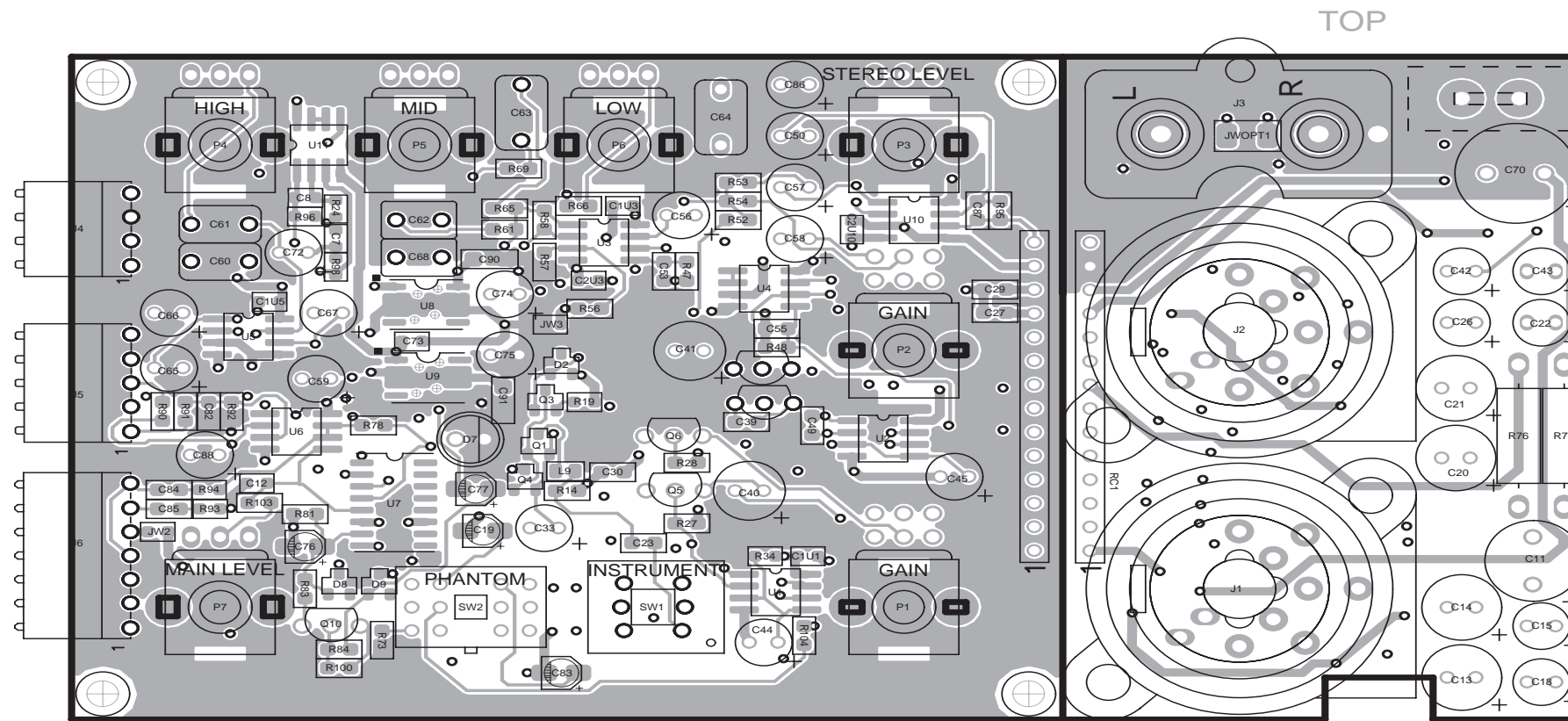


ROUTING DIAGRAM

A07	5/14/07	ADDED POLYBAG	ECOSLM0162	DDG		
A06	5/9/07	CHGD DRAWING #	DSRSLM0161	DDG		
A05	3/28/07	CHANGED SCREWS	ECOSLM0149	DDG		
A04	2/27/07	ADD NOTE C SHOW GRILL DETAIL	ECOSLM0138	MJK		
A03	2/6/07	ADDED ITEM #170 CHG'D QTY ITEM #173	ECOSLM0131	DDG		
A00	10/20/06	RELEASE TO PRODUCTION	ECOSLM0088	MJK		
100	10/5/06	INITIAL ISSUE	DR060094	MJK		
REV:	DATE:	DESCRIPTION	ECR/ECN NO:	CHNG'D BY:	APPR'D BY:	DATE:
THE INFORMATION CONTAINED ON THIS DRAWING IS PROPRIETARY TO LOUD TECHNOLOGIES INC.						
SIGNATURES:			DATE:			
DRAWN:	MJK		25-Jul-06			
CHK'D:						
RLS'D:						
TOLERANCES:	DRAWING SIZE: 26 by 16.8	DRAWING TITLE:		POWERED MONITOR		
	DRAWING TYPE:	DRAWING NO.:		0019074-XX		
	CLASS CODE:					
SCALE:	0.500	SHEET:	2 of 3			



A07	5/14/07	ADDED POLYBAG	ECOSLM0162	DDG		
A06	5/9/07	CHGD DRAWING #	DSRSLM0161	DDG		
A05	3/28/07	CHANGED SCREWS	ECOSLM0149	DDG		
A04	2/27/07	ADD NOTE C SHOW GRILL DETAIL	ECOSLM0138	MJK		
A03	2/6/07	ADDED ITEM #170 CHG'D QTY ITEM #173	ECOSLM0131	DDG		
A00	10/20/06	RELEASE TO PRODUCTION	ECOSLM0088	MJK		
100	10/5/06	INITIAL ISSUE	DR060094	MJK		
REV:	DATE:	DESCRIPTION	ECR/ECN NO:	CHNG'D BY:	APPR'D BY:	DATE:
THE INFORMATION CONTAINED ON THIS DRAWING IS PROPRIETARY TO LOUD TECHNOLOGIES INC.						
SIGNATURES:				DATE:		
DRAWN:	MJK			26-Jul-06		
CHK'D:						
RLS'D:						
TOLERANCES:				DRAWING SIZE: 26 by 16.8		DRAWING TITLE:
				DRAWING TYPE:		POWERED MONITOR
				CLASS CODE:		DRAWING NO.:
SCALE: 1.000				SHEET: 3 of 3		0019074-XX



NOTES:
 1. APPLY RTV SILICONE SEALANT PER SLM DOCUMENT NUMBER 00A005-00

CAUTION:
 THIS ASSEMBLY DRAWING IS PROVIDED FOR USE BY QUALIFIED PERSONNEL.
 TO AVOID RISK OF ELECTRIC SHOCK, REFER SERVICING TO QUALIFIED SERVICE PERSONNEL.
 DO NOT PERFORM ANY SERVICING BEYOND THAT EXPLAINED IN THE OPERATING INSTRUCTIONS.

REV	Date	DESCRIPTION	Ecr(s)/Ecn(s)	Chgd By	Appvd by	Date
A00	12/04/06	MOVED MODE TRACE CHGD VALUE OF C19,83 ADDED C90,91 DEL R67,68		WFB		
200	07/14/06	SECOND TURN		WFB		
100	03/24/06	INITIAL ISSUE				

THE INFORMATION CONTAINED ON THIS DRAWING IS PROPRIETARY TO ST. LOUIS MUSIC, INC.

Signatures:		Date:	 1901 Congressional, St. Louis, MO 63146
Drawn:	WFB	03/01/06	
Checked:			
Released:			
Plot Date:	Mon Oct 02, 2006	Drawing Size:	A
Plot Time:	09:16:49	Drawing Type:	ASSEMBLY
Tolerance:		Class Code:	NONE
Sheet 1 of 2		Drawing Title:	PREAMP PWA
		Drawing Number:	0015849-00

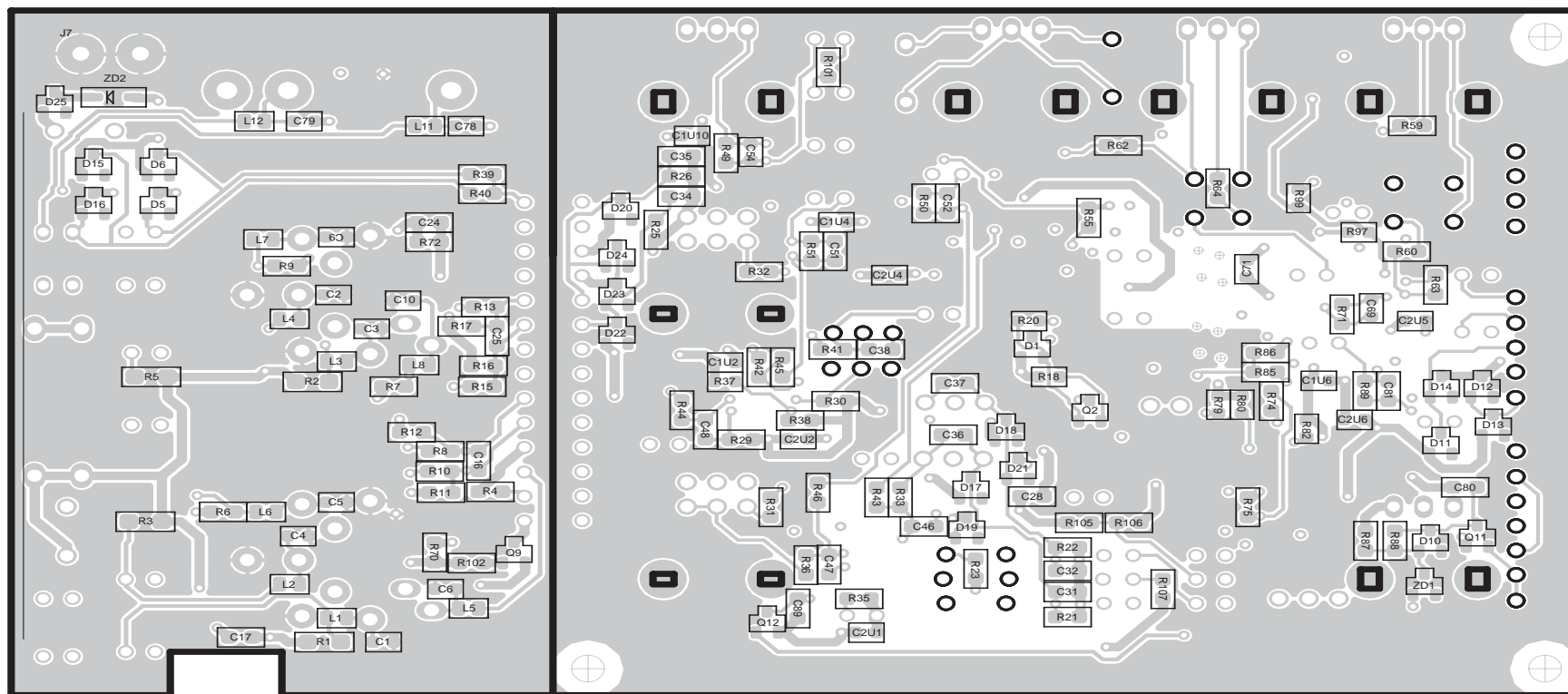
A

B

C


D

BOT



NOTES:
 1. APPLY RTV SILICONE SEALANT PER SLM DOCUMENT NUMBER 00A005-00

CAUTION:
 THIS ASSEMBLY DRAWING IS PROVIDED FOR USE BY QUALIFIED PERSONNEL.
 TO AVOID RISK OF ELECTRIC SHOCK, REFER SERVICING TO QUALIFIED SERVICE PERSONNEL.
 DO NOT PERFORM ANY SERVICING BEYOND THAT EXPLAINED IN THE OPERATING INSTRUCTIONS.

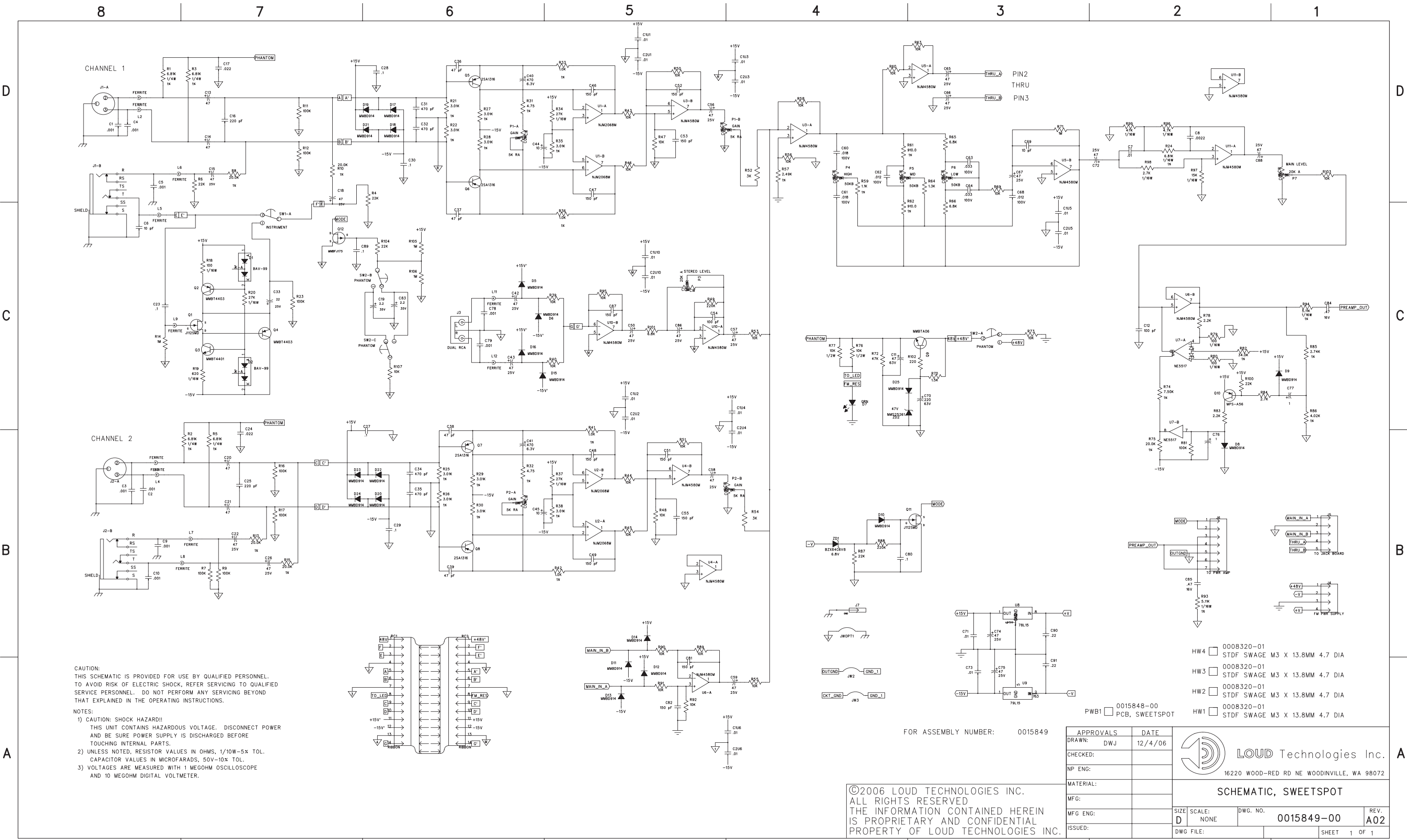
A00	12/04/06	MOVED MODE TRACE CHGD VALUE OF C19,83 ADDED C90,91 DEL R67,68		WFB		
200	07/14/06	SECOND TURN		WFB		
100	03/24/06	INITIAL ISSUE				
REV	Date	DESCRIPTION	Ecr(s)/Ecn(s)	Chgd By	Appvd by	Date
THE INFORMATION CONTAINED ON THIS DRAWING IS PROPRIETARY TO ST. LOUIS MUSIC, INC.						
Signatures:			Date:		 1901 Congressional, St. Louis, MO 63146	
Drawn: WFB			03/01/06			
Checked:						
Released:					First Used On:	
Plot Date: Mon Oct 02, 2006		Drawing Size: A		Drawing Title: PREAMP PWA		
Plot Time: 09:16:49		Drawing Type: ASSEMBLY		Drawing Number: 0015849-00		
Tolerance:		Class Code: NONE		Sheet 2 of 2		

A

B

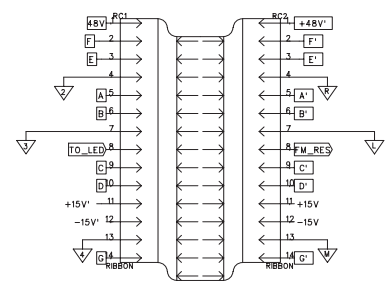
C

D



CAUTION:
THIS SCHEMATIC IS PROVIDED FOR USE BY QUALIFIED PERSONNEL.
TO AVOID RISK OF ELECTRIC SHOCK, REFER SERVICING TO QUALIFIED
SERVICE PERSONNEL. DO NOT PERFORM ANY SERVICING BEYOND
THAT EXPLAINED IN THE OPERATING INSTRUCTIONS.

NOTES:
1) CAUTION: SHOCK HAZARD!!
THIS UNIT CONTAINS HAZARDOUS VOLTAGE. DISCONNECT POWER
AND BE SURE POWER SUPPLY IS DISCHARGED BEFORE
TOUCHING INTERNAL PARTS.
2) UNLESS NOTED, RESISTOR VALUES IN OHMS, 1/10W-5% TOL.
CAPACITOR VALUES IN MICROFARADS, 50V-10% TOL.
3) VOLTAGES ARE MEASURED WITH 1 MEGOHM OSCILLOSCOPE
AND 10 MEGOHM DIGITAL VOLTMETER.



©2006 LOUD TECHNOLOGIES INC.
ALL RIGHTS RESERVED
THE INFORMATION CONTAINED HEREIN
IS PROPRIETARY AND CONFIDENTIAL
PROPERTY OF LOUD TECHNOLOGIES INC.

HW4	0008320-01	STDF SWAGE M3 X 13.8MM 4.7 DIA
HW3	0008320-01	STDF SWAGE M3 X 13.8MM 4.7 DIA
HW2	0008320-01	STDF SWAGE M3 X 13.8MM 4.7 DIA
HW1	0008320-01	STDF SWAGE M3 X 13.8MM 4.7 DIA
PWB1	0015848-00	PCB, SWEETSPOT

APPROVALS	DATE
DRAWN: DWJ	12/4/06
CHECKED:	
NP ENG:	
MATERIAL:	
MFG:	
MFG ENG:	
ISSUED:	

SIZE	SCALE:	DWG. NO.	REV.
D	NONE	0015849-00	A02
DWG FILE:			SHEET 1 OF 1

A

B

C

D

1

1

2

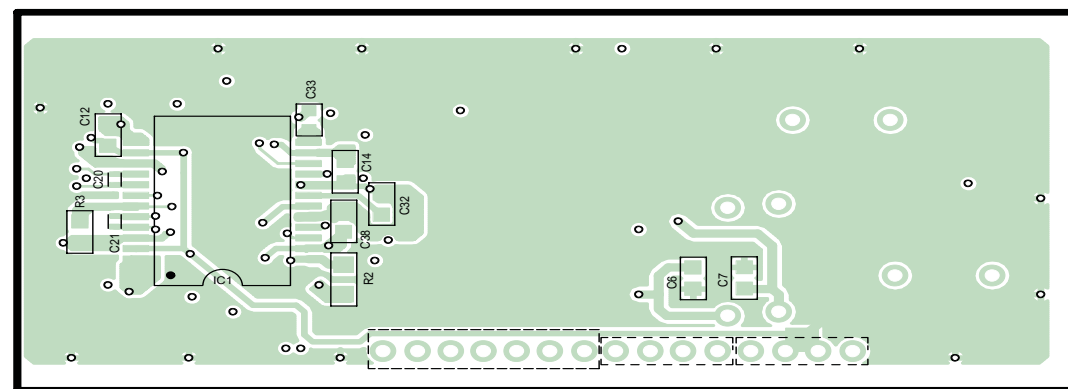
2

3

3

4

4




TOP SILK

IC LAYER (TOP)

NOTES:
 1. APPLY RTV SILICONE SEALANT PER SLM DOCUMENT NUMBER 00A005-00

CAUTION:
 THIS ASSEMBLY DRAWING IS PROVIDED FOR USE BY QUALIFIED PERSONNEL.
 TO AVOID RISK OF ELECTRIC SHOCK, REFER SERVICING TO QUALIFIED SERVICE PERSONNEL.
 DO NOT PERFORM ANY SERVICING BEYOND THAT EXPLAINED IN THE OPERATING INSTRUCTIONS.

0	05/23/05	CONTROL ISSUE				
REV	Date	DESCRIPTION	Ecr(s)/Ecn(s)	Chgd By	Appvd by	Date
THE INFORMATION CONTAINED ON THIS DRAWING IS PROPRIETARY TO ST. LOUIS MUSIC, INC.						
Signatures:			Date:		 1901 Congressional, St. Louis, MO 63146	
Drawn: RLB						
Checked:						
Released:						
Plot Date: Tue Dec 07, 2004		Drawing Size: A		Drawing Title: 2X75W CLASS-D AMP PWA		
Plot Time: 07:09:58		Drawing Type: ASSEMBLY		Drawing Number: 06B359		
Tolerance:		Class Code: NONE		Sheet 1 of 2		

A

B

C

D

A

B

C

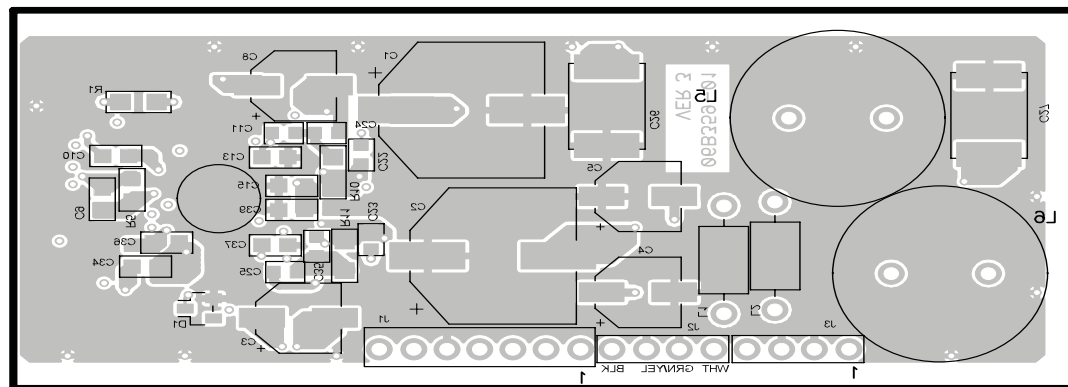
D

1

1

2

2



COMPONENT LAYER (BOTTOM)

3


3

4

4

NOTES:
 1. APPLY RTV SILICONE SEALANT PER SLM DOCUMENT NUMBER 00A005-00

CAUTION:
 THIS ASSEMBLY DRAWING IS PROVIDED FOR USE BY QUALIFIED PERSONNEL.
 TO AVOID RISK OF ELECTRIC SHOCK, REFER SERVICING TO QUALIFIED SERVICE PERSONNEL.
 DO NOT PERFORM ANY SERVICING BEYOND THAT EXPLAINED IN THE OPERATING INSTRUCTIONS.

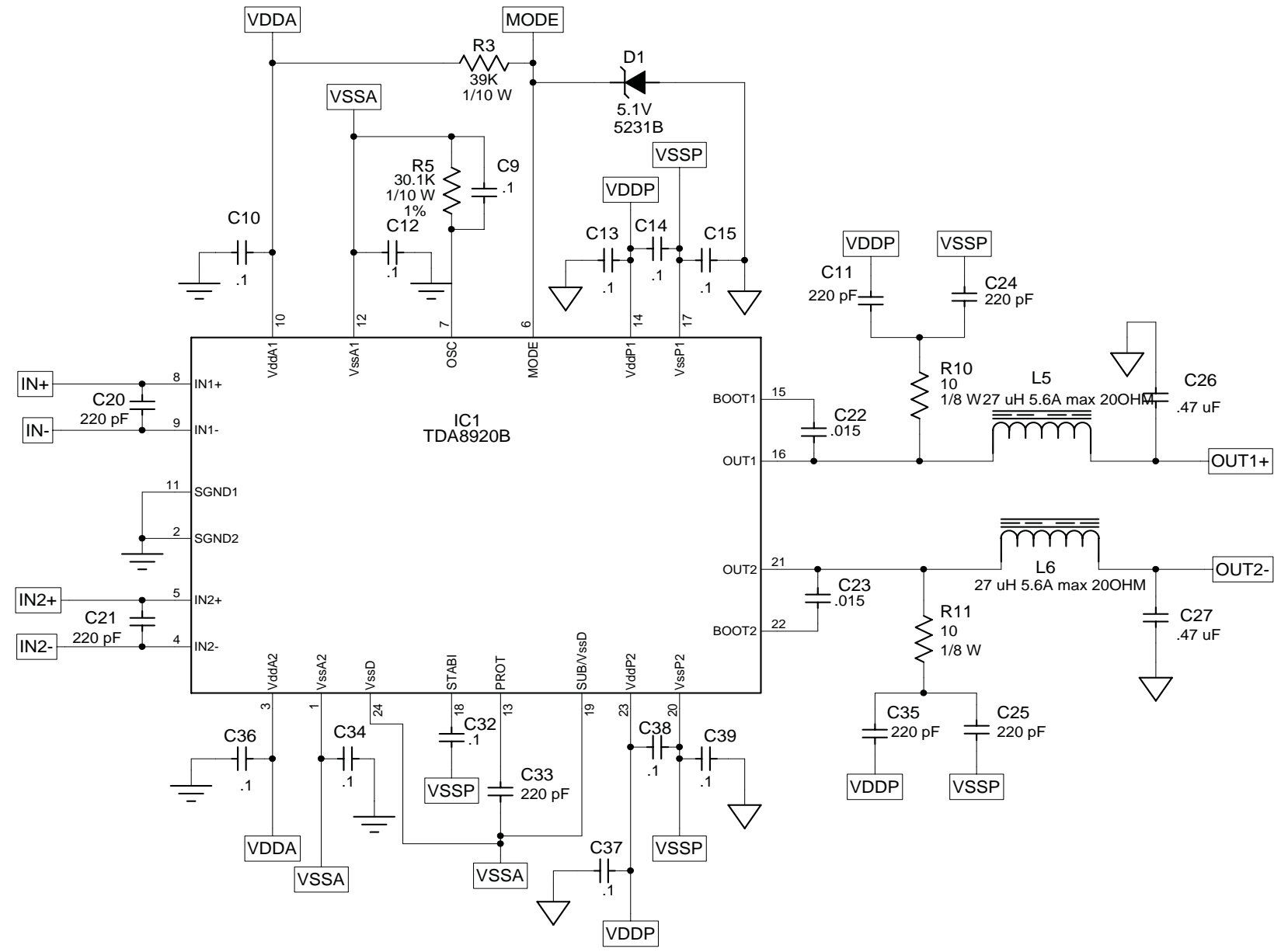
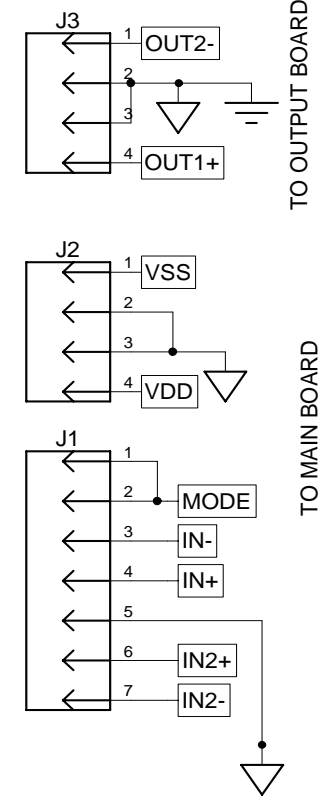
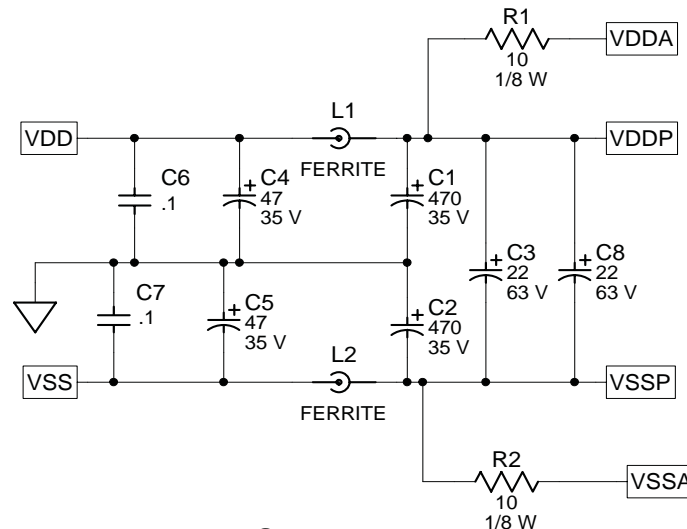
0	05/23/05	CONTROL ISSUE				
REV	Date	DESCRIPTION	Ecr(s)/Ecn(s)	Chgd By	Appvd by	Date
THE INFORMATION CONTAINED ON THIS DRAWING IS PROPRIETARY TO ST. LOUIS MUSIC, INC.						
Signatures:			Date:		 1901 Congressional, St. Louis, MO 63146	
Drawn: RLB						
Checked:						
Released:					First Used On:	
Plot Date: Tue Dec 07, 2004		Drawing Size: A		Drawing Title: 2X75W CLASS-D AMP PWA		
Plot Time: 07:10:00		Drawing Type: ASSEMBLY		Drawing Number: 06B359		
Tolerance:		Class Code: NONE		Sheet 2 of 2		

A

B

C

D



CAUTION:
THIS SCHEMATIC IS PROVIDED FOR USE BY QUALIFIED PERSONNEL.
TO AVOID RISK OF ELECTRIC SHOCK, REFER SERVICING TO QUALIFIED
SERVICE PERSONNEL. DO NOT PERFORM ANY SERVICING BEYOND
THAT EXPLAINED IN THE OPERATING INSTRUCTIONS.

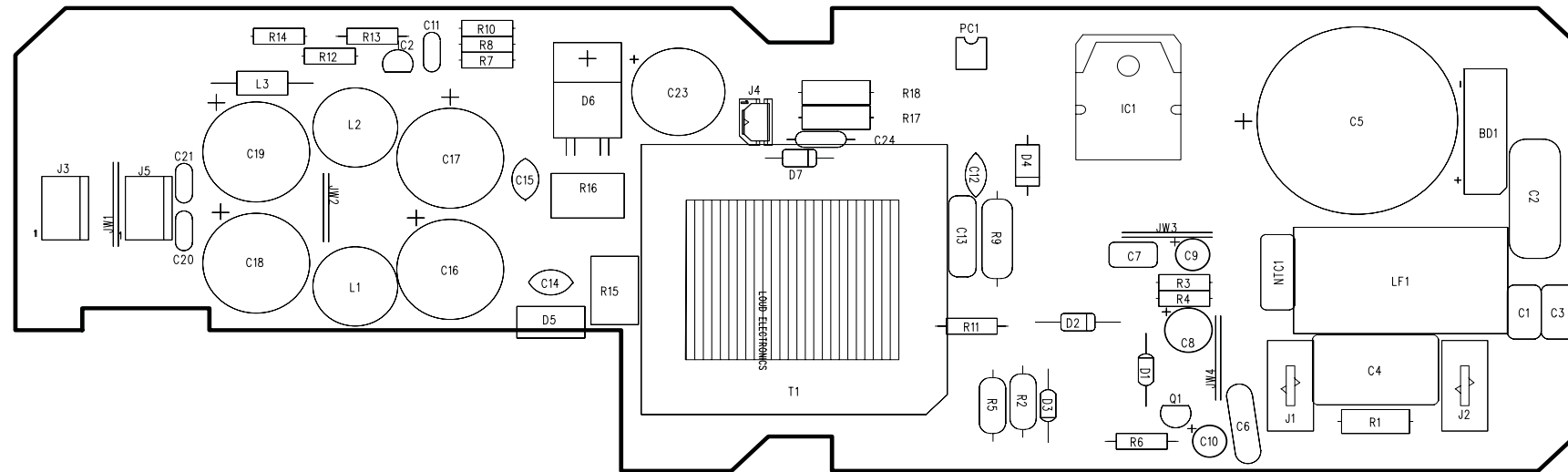
- NOTES:
- 1) CAUTION: SHOCK HAZARD!!
THIS UNIT CONTAINS HAZARDOUS VOLTAGE. DISCONNECT POWER
AND BE SURE POWER SUPPLY IS DISCHARGED BEFORE
TOUCHING INTERNAL PARTS.
 - 2) UNLESS NOTED, RESISTOR VALUES IN OHMS, 1/4W-5% TOL.
CAPACITOR VALUES IN MICROFARADS, 50V-10% TOL.
 - 3) VOLTAGES ARE MEASURED WITH 1 MEGOHM OSCILLOSCOPE
AND 10 MEGOHM DIGITAL VOLTMETER.

0	05/23/05	CONTROL ISSUE				
REV	Date	DESCRIPTION	Ecr(s)/Ecn(s)	Chgd By	Appvd by	Date
THE INFORMATION CONTAINED ON THIS DRAWING IS PROPRIETARY TO ST. LOUIS MUSIC, INC						
Signatures:			Date:		 11880 Borman Drive, St. Louis, MO 63146	
Drawn: WFB			Date: 9/01/04		First Used On:	
Checked:			Released:			
Plot Date: Wed Mar 09, 2005		Drawing Size: B		Drawing Title: 150W CLASS D PWR AMP		
Plot Time: 07:33:07		Drawing Type: Schematic		Drawing Number: 06S359		
Tolerance:		Class Code: NONE		Sheet 1 of 1		

8 7 6 5 4 3 2 1

ZONE		REV	DESCRIPTION	DATE	APPROVED

LOUD TECH 0019268-03 REV:C00

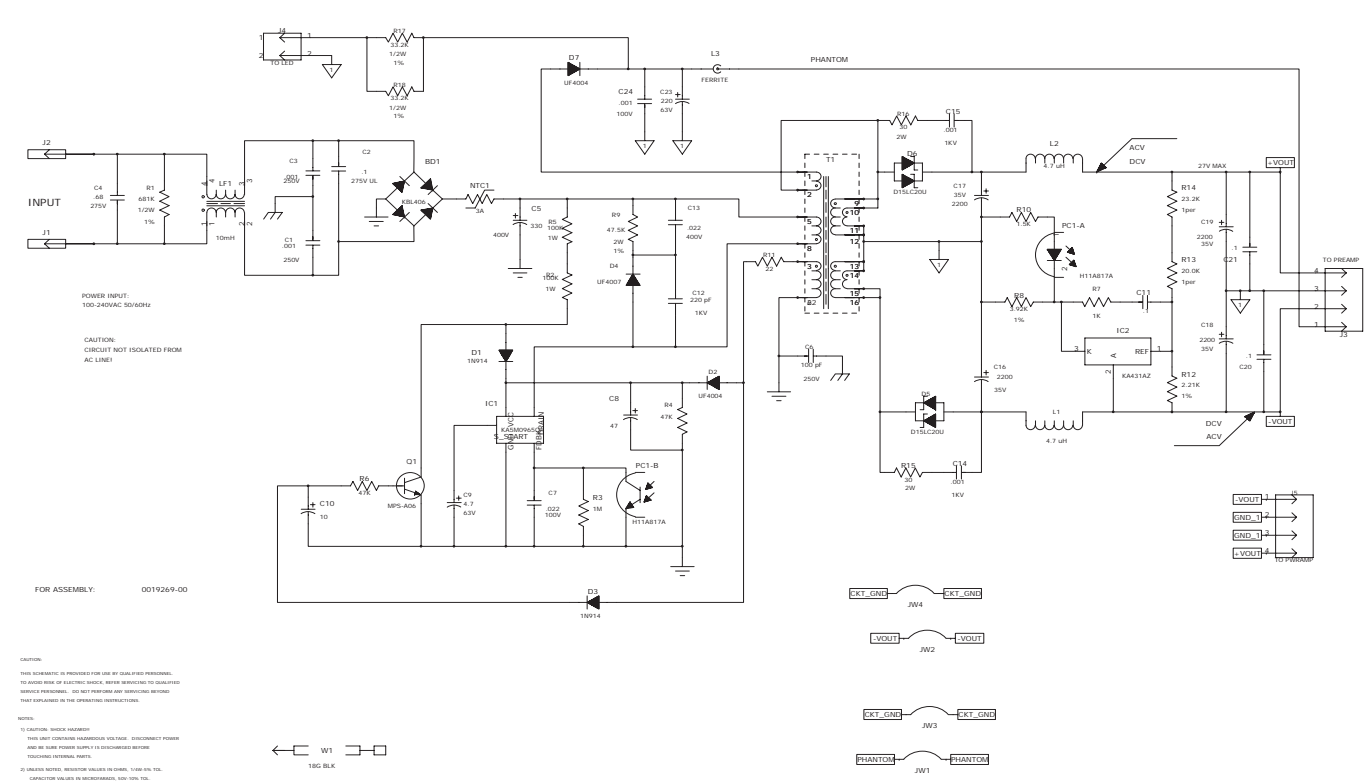


TOP SIDE SHOWN

UNLESS OTHERWISE SPECIFIED DIMENSIONS ARE METRIC TOLERANCES ARE: FRACTIONS: DECIMALS: ANGLES: ±NA .XX ±NA ±NA .XXX ±NA	APPROVALS	DATE	 LOUD TECHNOLOGIES INC. WOODINVILLE, WA. USA
	DRAWN: TH	3-27-07	
THE INFORMATION CONTAINED HEREIN IS PROPRIETARY AND CONFIDENTIAL PROPERTY OF LOUD TECHNOLOGIES INC.	CHECKED:		PCB ASSY, SWEETSPOT PWR SUPPLY
	NP ENGINEERING:		
DO NOT SCALE DRAWING	MATERIAL:		SIZE D SCALE: NONE DWG. NO. 0019269-00 REV. CXX SHEET 1 OF 1
	MANUFACTURING:		
	MFG ENGINEERING:		
	ISSUED:		

0019268-00-C00-PCB.pcb - Thu May 17 12:25:27 2007

ECO#	REV.	DESCRIPTION	REV. BY:	APP. BY:	DATE



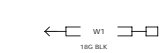
POWER INPUT:
100-240VAC 50/60Hz

CAUTION:
CIRCUIT NOT ISOLATED FROM
AC LINE!

FOR ASSEMBLY: 0019269-00

CAUTION:
THIS SCHEMATIC IS PROVIDED FOR USE BY QUALIFIED PERSONNEL.
TO AVOID RISK OF ELECTRIC SHOCK, REFER TO THE SAFETY INFORMATION
SECTION OF THE USER MANUAL. DO NOT REPAIR OR DISASSEMBLE UNLESS
YOU ARE A QUALIFIED PERSONNEL. REFER TO THE SAFETY INFORMATION
SECTION OF THE USER MANUAL.

NOTES:
1) TOLERANCE: RESISTOR: 1%
2) ALL CAPS: 50V UNLESS OTHERWISE SPECIFIED
3) ALL DIODES: 1N4148 UNLESS OTHERWISE SPECIFIED
4) ALL TRANSISTORS: 2N2222 UNLESS OTHERWISE SPECIFIED
5) ALL IC'S: 74VCMC UNLESS OTHERWISE SPECIFIED
6) ALL DIMENSIONS ARE IN MILLIMETERS UNLESS OTHERWISE SPECIFIED
7) ALL DIMENSIONS ARE IN INCHES UNLESS OTHERWISE SPECIFIED
8) ALL DIMENSIONS ARE IN MILLIMETERS UNLESS OTHERWISE SPECIFIED
9) ALL DIMENSIONS ARE IN INCHES UNLESS OTHERWISE SPECIFIED



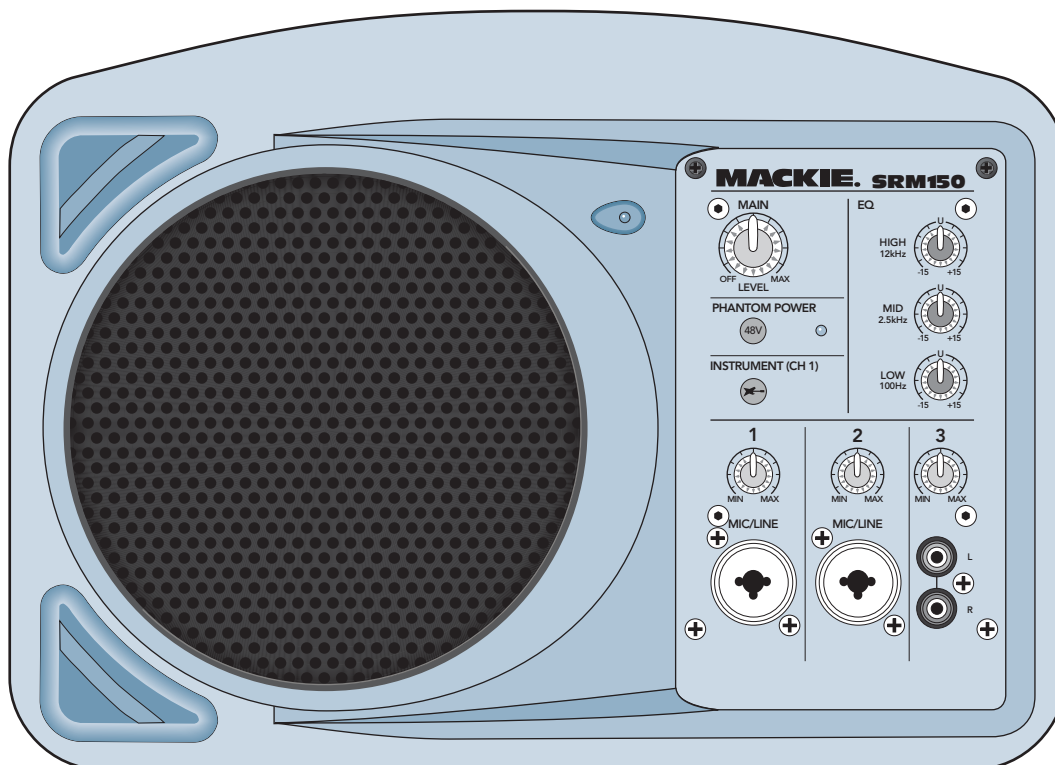
PWB1 0019268-03
PCB FAB - SWEETSPOT POWER SUPPLY

APPROVALS	DATE	LOUD			
DRAWN: TH	3-27-07	TECHNOLOGIES INC. WOODINVILLE WA. USA			
CHECKED:		SCHEMATIC, SWEETSPOT PWR SUPPLY			
MP ENG:					
MATERIAL:					
MFG:					
MFG ENG:		SIZE: D	SCALE: NONE	DWG. NO. SCH0019269-00	REV. C00
ISSUED:		DWG FILE:		SHEET 1 OF 1	

© 2006 LOUD TECHNOLOGIES INC.
ALL RIGHTS RESERVED
THE INFORMATION CONTAINED HEREIN
IS PROPRIETARY AND CONFIDENTIAL
PROPERTY OF LOUD TECHNOLOGIES INC.

SRM150 Parts List June 2007




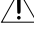

PART #	REV	DESCRIPTION	PAGE
0019074-00	A07	FINAL ASSEMBLY - 120V	2
0019074-01	A07	FINAL ASSEMBLY - 230V	3
0019279	A00	CONTROL ASSEMBLY	4
0015849-00	A02	PCB ASSEMBLY - FRONT	4
0019269-00	C00	PCB ASSEMBLY - POWER SUPPLY	7
0019267-00	A00	PCB ASSEMBLY - POWER AMP	8
0015851-00	A01	PCB ASSEMBLY - BACK	8
0020719-00	B00	PCB ASSEMBLY - FILTER	9



Components noted with this symbol shall be replaced only by the component specified. This is required to maintain product safety.



0019074-00 REV A07 FINAL ASSEMBLY - 120V

PART#	REV	DESCRIPTION	QTY	NOTES
0021219	A01	DRIVER/CONE [LN05/1002-8]	1	WOOFER
0015294	A00	GRILL	1	GRILL
 83483026	A	CONN POWER CORD USA	1	LINE CORD USA
0007334	A	PCB ASSEMBLY / LED / SRS1500	1	LED PCB ASSEMBLY
0019075	B00	FRONT HOUSING	1	
0019076	B00	REAR HOUSING	1	
0019279	A00	CONTROL ASSEMBLY	1	SEE PAGE 4
0019269-00	C00	PCB ASSEMBLY - POWER SUPPLY	1	SEE PAGES 7-8
0019267-00	A00	PCB ASSEMBLY - POWER AMP	1	SEE PAGE 8
0015851-00	A01	PCB ASSEMBLY - BACK	1	SEE PAGE 8
0020719-00	B00	PCB ASSEMBLY - FILTER	1	SEE PAGE 9
 0019278	A00	HEATSINK	1	HEATSINK
 500-052-00	A	SWITCH SPST POWER ROCKER RTA BLACK	1	SWITCH
 0019282	A00	CONN AC LINE FILTER 3A	1	
0019330	A00	TOP HANDLE	1	
0019780	A00	STAND MOUNT - PLASTIC	1	STAND MOUNT - PLASTIC
0019781	A00	THREADED INSERT	1	
0019753	B00	BOX	1	
0022006	A00	INSERT - TOP / BOTTOM	2	
0019722	A00	PANEL INNER PREAMP COVER	1	
0019725	A00	RETAINING CLIP	1	
0019843	A00	ALUMINUM OXIDE CERAMIC TO-3P INSUL.	1	
0007794-08	A00	SCREW M3 X 8MM PAN MCH EXT SEMS PH STL CL ZINC	14	
0007794-06	A00	SCREW M3 X 6MM PAN MCH EXT SEMS PH STL CL ZINC	1	
0007794-12	A00	SCREW M3 X 12MM PAN MCH EXT SEMS PH STL CL ZINC	4	
0000623-12	B00	SCREW M3 X 12MM PAN MCH PH SS BLACK ZINC	1	
0000659	A00	NUT HEX KEP M3	3	
0010032	A	SCREW/M5X12 PH PHMS BLACK [DIN7985A]	2	
0001058	A	I/WASHER/FLAT M5 BLACK	2	
700-055-00	A	MCH 4-24X3/8 PHP BLACK HILO	4	
0019890	A00	SCREW/ 6-19 X 3/4" PH PH TFS PLASTITE 48-2 BLACK	8	
0019891	A00	SCREW/ 8-16 X 1" PH PH TFS PLASTITE 48-2 BLACK	1	
0023736	A00	SCREW SELFTAP PLASTITE 48-2 8-16X1-1/2 PNH PHH	6	
0018209	100	SCREW/#6-19X1/2" PH PH TFS PLASTITE 48-2	4	
701-021-00	A	6X3/8 PHP PLASTITE BLACK	5	
0019892	A00	SCREW/ 4-20 X 3/8" PH PH TFS PLASTITE 48-2 BLACK	4	
0019911	B00	STANDOFF NYLON 3/8"	1	
 0019958	A00	FUSE CIRCUIT BREAKER 3A	1	FUSE
0019959	A00	NUT THIN M24 X 2	1	
0019995	A00	GASKET 3MM URETHANE	1	890MM
0019996	A00	GASKET 2.5MM X 2.5MM URETHANE	1	735MM
0019997	B00	GASKET URETHANE , FRONT HOUSING	1	
0020488	A00	CABLES/WIRE 7 PIN 1-7 WIRE HARNESS	1	PREAMP TO POWER AMP
0020489	A00	CABLES/WIRE 5 PIN 1-1 WIRE HARNESS	1	PREAMP TO LINE I/O

continued




Final Assembly continued

PART#	REV	DESCRIPTION	QTY	NOTES
0020490	A00	CABLES/WIRE 4 PIN 1-1 WIRE HARNESS 14"	1	POWER SUPPLY TO PRE-AMP
0020491	A00	CABLES/WIRE 4 PIN 1-4 WIRE HARNESS 3"	1	POWER SUPPLY TO POWER AMP
0020499	A00	WIRE HARNESS 0.187 F TO 0.250F BLACK 18AWG 3"	1	POWER SWITCH
0020909	A00	WIRE HARNESS 0.187 F TO 0.250F BLACK 18AWG 7"	1	POWER SWITCH
0020910	A01	WIRE HARNESS 18GA WHITE 0.250 TO 0.250 7"	1	AC
0020500	A00	WIRE HARNESS 18GA BLACK 0.250 TO 0.250 3"	1	AC
0020501	A00	WIRE HARNESS 2P RED 22GA 1-1	1	POWER SUPPLY TO LED
0019724	A00	PANEL INNER POWER AMP COVER	1	
0020725	C00	STAND MOUNT ADAPTER	1	
0020856	B00	SRM150 BOOM STAND ADAPTER 3"	1	
35-570-01	A01	BERGQUIST SP-1500 AC-	1	POWER AMP INSULATOR
0012187	A00	CABLE TIE STD 50LB WR BLACK 8"	1	
0012143-07	C00	ROUND BUTTON CAP (7MM) CONTROL GRAY TOP WHITE BOTTOM	1	
0016339-00	B00	BUTTON ADAPTER - ONYX 1200F	1	
0019754	A00	BOX	.25	
790-002-00	A	PKG POLY BAG 12 X 18 2MIL CLEAR	1	

The 230 VAC (European) model has the same parts as the 120 VAC model except as shown below:

0019074-01 REV A07 FINAL ASSEMBLY - 230V

PART#	REV	DESCRIPTION	QTY	NOTES
 83483022	B	CONN POWER CORD EUROPEAN	1	LINE CORD - EUROPE





Components noted with this symbol shall be replaced only by the component specified. This is required to maintain product safety.



0019279 REV A00 CONTROL ASSEMBLY

PART#	REV	DESCRIPTION	QTY	NOTES
0015849-00	A02	PCB ASSEMBLY - FRONT	1	SEE BELOW
0019303	A00	MOUNTING PLATE CONTROL ASSEMBLY	1	
0001381-03	D00	ANALOG KNOB MILLENNIUM BLUE 320	3	BLUE KNOB
0001381-05	D00	ANALOG KNOB MILLENNIUM WHITE 100	3	WHITE KNOB
0008174-05	B00	LARGE ANALOG KNOB WHITE 100	1	LARGE WHITE KNOB
0012143-09	C00	ROUND BUTTON CAP (7MM) "48V" WHITE BOTTOM	1	
0012143-06	C00	ROUND BUTTON CAP (7MM) "GUITAR" (SYMBOL) WHITE BOTTOM	1	
0008824-00	B02	SCREW M3 X 5MM BUTTON MCH 2.0 HEX SST BLKOX	4	ATTACHES PCB TO FRONT PANEL
700-055-00	A	MCH 4-24X3/8 PHP BLACK HILO	5	4 FOR INPUT JACK, 1 FOR RCA
0020493	A00	WIRE HARNESS GREEN 14" 0.250 TO 0.250 TERM SRM150	1	FRONT CHASSIS TO REAR CHASSIS GROUND WIRE




0015849-00 REV A02 PCB ASSEMBLY - FRONT

PART#	REV	DESCRIPTION	QTY	REF DESIGNATORS
0000014	A00	CAP 1000PF X7R 10% 50V 0603	9	C1, C2, C3, C4, C5, C9, C10, C78, C79
0000017	A00	CAP X7R .01UF 5% 25V SMT	17	C1U1, C1U2, C1U3, C1U4, C1U5, C1U6, C1U10, C2U1, C2U2, C2U3, C2U4, C2U5, C2U6, C2U10, C7, C71, C73
0000094	A00	IND FERRITE 120OHM 200MA 0.15DCR 0805 SMT	11	L1, L2, L3, L4, L5, L6, L7, L8, L9, L11, L12
0000160	A	SWITCH 4PDT PUSH V SNAPIN	1	SW2
0000162	A	SWITCH 2PDT PUSH V SNAPIN	1	SW1
0000527	A00	POT ROTARY 20KU 9MM SINGLE	2	P3, P7
0003100	A00	CAP CER 10PF 5% 100V NPO SM 0603	2	C6, C69
0004901	A00	CONN RCA VERT 2P	1	J3
0006875	A00	CONN HDR 4P 2.54MMX1 RTA MOLEX	1	J4
0006956	A00	IC DUAL OP AMP NJM4580M	6	U3, U4, U5, U6, U10, U11
0006991	A00	CONN XLRCOMBO VERT NCJ9FI-V-0	2	J1, J2
0011116	A00	CAP 2200PF X7R 10% 50V 0603	1	C8
0011208	A00	DIODE 100V 600MA SOT-23	20	D5, D6, D8, D9, D10, D11, D12, D13, D14, D15, D16, D17, D18, D19, D20, D21, D22, D23, D24, D25
0019244	A00	CAP 0.47UF Y5V 16V 20% SMT 0805	2	C84, C85
0019245	A00	CONN HDR 7P .100X1 RTA LOCK	1	J6
0019246	A00	DIODE ZENER 6.8V BZX84C6V8 300MW	1	ZD1
 0019250	A00	IC REG MC78L15ACD +15V 100MA	1	U8
 0019252	A00	IC REG MC79L15ACD -15V 100MA	1	U9
0019253	A00	WIRE RIBBON 14P 1.5IN 0.1 PITCH	1	RC1
120-097-00	B	RES MO .5W 5% 10K OHM	2	R76, R77
130-002-02	A	POT ROTARY 50KB 9MM MNO H TN W/DETENT	3	P4, P5, P6
140-057-00	A	RES TF SM .1W 5% 220 OHM	1	R102
140-072-00	A	RES TF SM .1W 5% 910 OHM	2	R61, R62

continued



Front PCB Assembly continued

PART#	REV	DESCRIPTION	QTY	REF DESIGNATORS
140-073-00	A	RES TF SM .1W 5% 1K0 OHM	4	R33, R36, R41, R42
140-074-00	A	RES TF SM .1W 5% 1K1 OHM	1	R59
140-076-00	A	RES TF SM .1W 5% 1K3 OHM	1	R64
140-081-00	A00	RES TF SM .1W 5% 2K2 OHM	2	R78, R83
140-083-00	A	RES TF SM .1W 5% 2K7 OHM	1	R84
140-093-00	A00	RES TF SM .1W 5% 6K8 OHM	3	R65, R66, R101
140-094-00	A	RES TF SM .1W 5% 7K5 OHM	1	R74
140-097-00	A	RES TF SM .1W 5% 10K OHM	25	R39, R40, R43, R44, R45, R46, R47, R48, R50, R51, R53, R55, R56, R58, R60, R63, R69, R73, R89, R90, R91, R92, R95, R103, R107
140-105-00	A	RES TF SM .1W 5% 22K OHM	5	R4, R6, R87, R100, R104
140-114-00	A00	RES TF SM .1W 5% 47K OHM	1	R72
140-123-00	A	RES TF SM .1W 5% 100K OHM	8	R7, R9, R11, R12, R16, R17, R23, R81
140-131-00	A	RES TF SM .1W 5% 220K OHM	2	R49, R88
140-147-00	A	RES TF SM .1W 5% 1M0 OHM	4	R14, R71, R105, R106
142-068-00	A1	RES TF 620 5% 0.1W SMT	1	R19
142-083-00	A1	RES TF 2.7K 5% 0.1W SMT	1	R98
142-089-00	A1	RES TF 4.7K 5% 0.1W SMT	1	R96
142-101-00	A1	RES TF 15K 5% 0.1W SMT	1	R97
142-108-00	A1	RES TF 27K 5% 0.1W SMT	3	R20, R34, R37
142-114-00	A1	RES TF 47K 5% 0.1W SMT	1	R99
143-000-00	A01	RES TF 0.00 1% 0.1W SMT	2	JW2, JW3
143-193-00	A01	RES TF 100 1% 0.1W SMT	3	R18, R79, R80
143-361-00	A1	RES TF 5.11K 1% 0.1W SMT	2	R93, R94
143-373-00	A1	RES TF 6.81K 1% 0.1W SMT	1	R24
143-440-00	A1	RES TF 34.0K 1% 0.1W SMT	1	R82
145-066-00	B	RES MF SM .1W 1% 4.75 OHM	2	R31, R32
145-331-00	B	RES MF SM .1W 1% 2K49 OHM	1	R57
145-339-00	B	RES MF SM .1W 1% 3K01 OHM	10	R21, R22, R25, R26, R27, R28, R29, R30, R35, R38
145-418-00	B	RES MF SM .1W 1% 20K0 OHM	5	R8, R10, R13, R15, R75
146-373-00	A	RES MF SM .25W 1% 6K81 OHM	4	R1, R2, R3, R5
 200-001-02	D	CAP PLY .012UF 10% 100V TR	2	C62, C68
 200-002-02	A	CAP PLY .018UF 10% 100V TR	2	C60, C61
 200-003-02	C	CAP PLY .033UF 10% 100V TR	2	C63, C64
212-004-00	C1	CAP CER 220PF 5% 50V NPO SM	2	C16, C25
212-009-00	A	CAP CER 47PF 5% 50V NPO 0805 SM	4	C36, C37, C38, C39
212-019-00	B1	CAP CER 150PF 5% 50V SM	11	C46, C47, C48, C49, C51, C52, C53, C55, C81, C82, C87
212-025-00	D1	CAP CER .1UF 50V 10% X7R	7	C23, C27, C28, C29, C30, C80, C89
212-034-00	A1	CAP CER .022UF 10% 100V X7R	2	C17, C24
212-042-00	A1	CAP CER 470PF 5% 50V NPO SM	4	C31, C32, C34, C35
220-002-02	A1	CAP LYT 47UF 20% 25V RAD TR	19	C15, C18, C22, C26, C42, C43, C50, C56, C57, C58, C59, C65, C66, C67, C72, C74, C75, C86, C88

continued



Components noted with this symbol shall be replaced only by the component specified. This is required to maintain product safety.






Front PCB Assembly continued

PART#	REV	DESCRIPTION	QTY	REF DESIGNATORS
220-003-02	B	CAP LYT 47UF 20% 50V RAD TR	4	C13, C14, C20, C21
220-004-02	C1	CAP LYT 470UF 20% 6.3V RAD TR	2	C40, C41
220-027-02	B1	CAP LYT 10UF 20% 50V RAD TR	2	C44, C45
220-044-00	A00	CAP LYT 220UF 20% 63V RAD	1	C70
223-005-00	A1	CAP LYT 1UF 20% 50V SMT	2	C76, C77
300-011-03	A	DIODE SIGNAL DUAL BAV99	2	D1, D2
 304-029-02	C00	LED GREEN W/.425 SPACER TR	1	D7
310-003-00	A1	XSTR PNP 2SA1084/2SA1316	4	Q5, Q6, Q7, Q8
310-017-00	C1	XSTR PNP MPSA56	1	Q10
311-001-00	B	XSTR NPN IMBT4401 SMT	1	Q3
311-002-00	A	XSTR PNP MMST4403 SMT	2	Q2, Q4
311-004-00	B	XSTR SST112 SM	2	Q1, Q11
311-005-00	E	XSTR NPN MMBTA06 SMT	1	Q9
320-006-00	A	IC OPAMP 2068E	2	U1, U2
400-407-00	A	CONN HDR 5P .100 RTA LOCK	1	J5
0015848-00	A00	PCB FAB - FRONT	1	PWB1
0009147	A00	CAP 100PF NPO 5% 50V 0603	2	C12, C54
220-001-02	A1	CAP LYT 22UF 20% 25V RAD TR	1	C33
0008320-01	H00	STDF SWAGE M3 X 13.8MM 4.7 DIA	4	HW1, HW2, HW3, HW4
146-000-00	A00	RES MF SM .25W 1% 0 OHM 1206	1	JWOPT1
0020546	A00	POT ROTARY DUAL 5KZY 9MM	2	P1, P2
96S175-01	A00	XSTR FET P CHANNEL MMBFJ175 SOT-23 PKG	1	Q12
140-077-00	A	RES TF SM .1W 5% 1K5 OHM	1	R70
145-335-00	B	RES MF SM .1W 1% 2K74 OHM	1	R85
145-351-00	B	RES MF SM .1W 1% 4K02 OHM	1	R86
320-024-00	A	IC TRANSCON AMP NJM13600M SM	1	U7
0020547	A00	DIODE ZENER MMSZ5261 47V SMT	1	ZD2
220-072-02	A1	CAP LYT 47UF 20% 63V 105C T/R	1	C11
0009242	A00	CAP .22UF X7R 10% 50V 1206	2	C90, C91
12S225-35	A00	CAP 2.2 UF 35V [20% TOL] ELECTROLYTIC SMT 3X5.5MM PKG	2	C19, C83
400-059-00	A	CONN TERM QDISC .250 MALE PCMT	1	J7
140-084-00	A	RES TF SM .1W 5% 3K0 OHM	2	R52, R54



0019269-00 REV C00 PCB ASSEMBLY - POWER SUPPLY

PART#	REV	DESCRIPTION	QTY	REF DESIGNATORS
0012542	A00	CAP CER 100 PF 10% 250V X1/Y2	1	C6
10-104-01	B00	CAP .1 UF RFI SUPPRESSOR CAP/NON-STOCK	1	C2
10-223-10	A2	CAP .022 UF 400V [10% TOL] WIMA MTLPOLY	1	C13
10-684-25	A01	CAP .68 UF 275VAC X2 UL CAP [10%]	1	C4
211-003-00	A1	CAP CER .001UF 10% 50V AX	1	C24
0016455	A00	CAP CER DISC 1000PF Y2 250VAC SAFETY	2	C1, C3
0017820	A00	CAP CER DISC 1000PF 1KVDC	2	C14, C15
10R104-30	A01	CAPACITOR .1UF 50V [10PER TOL] .1LS X7R	3	C11, C20, C21
0019621	A00	CAP CER 220PF 1KV Y5F DISC	1	C12
 200-031-02	A01	CAP PLY/BX .022UF 5% 100V TR	1	C7
12-227-62	A00	CAP 220 UF 63V [20% TOL] ELECTROLYTIC	1	C23
220-029-00	A1	CAP LYT 2200UF 20% 35V RAD	4	C16, C17, C18, C19
0019540	A00	CAP LYTIC 330UF 400V 30X30MM	1	C5
220-027-02	B1	CAP LYT 10UF 20% 50V RAD TR	1	C10
220-012-02	B1	CAP LYT 4.7UF 20% 63V RAD TR	1	C9
220-003-02	B	CAP LYT 47UF 20% 50V RAD TR	1	C8
83432026	A	CONN 2-PIN	1	J4
17-105-04	A01	CONN HDR .1 SRAIGHT POLARIZED 4 PIN LOCKING	2	J3, J5
400-059-00	A	CONN TERM QDISC .250 MALE PCMT	2	J1, J2
0019604	A00	DIODE 15A/200V ULTRA FAST RECOVERY RECTIFIER	2	D5, D6
0019602	A00	DIODE BRIDGE RECTIFIER 4A 600V	1	BD1
0019603	A00	DIODE FAST RECTIFIER 400V 1A	2	D2, D7
0017816	A00	DIODE FAST RECTIFIER 1000V 1A	1	D4
300-001-00	A	DIODE SIG 1N4148 100V 500MW	2	D1, D3
 0019601	A00	IC POWER SWITCH KA5M0965Q	1	IC1
 0019600	A00	IC PROGRAMMABLE SHUNT REGULATOR KA431AZ	1	IC2
0019599	A00	XSTR PHOTO 4PIN DIP	1	PC1
0019598	A00	3A 8 OHM INRUSH NTC THERMISTOR	1	NTC1
660-002-00	A	CABLE 24GA JUMPER WIRE TR	4	JW1, JW2, JW3, JW4
110-049-00	A	RES CF .25W 5% 1K OHM	1	R7
110-121-00	A	RES CF .25W 5% 1MEG OHM	1	R3
110-053-00	A00	RES CF .25W 5% 1K5 OHM	1	R10
115-418-00	A	RES MF .25W 1% 20K0 OHM	1	R13
76-220-01	B00	RES 22 OHM .25W 5% CF	1	R11
76-222-02	B00	RES 2.21K OHM .25W 1% MF	1	R12
76-233-02	B00	RES 23.2K OHM .25W 1% MF	1	R14
115-350-00	A	RES MF .25W 1% 3K92 OHM	1	R8
110-089-00	A	RES CF .25W 5% 47K OHM	2	R4, R6
77-333-02	A00	RES 33.2K OHM .5W 1% MF	2	R17, R18
77-684-02	A00	RES 681K OHM .5W 1% MF	1	R1
78-300-05	A01	RES 30 OHM 5W 5% BULK	2	R15, R16
78A104-01	A01	RES 100K 1W 5% MINI MOX T&R	2	R2, R5
78A473-22	A01	RES 47.5K 2W 1% MINI MOX T&R	1	R9
94-023-01	A01	XFMR 10MH 2.4A COMMON MODE CHOKE	1	LF1

continued



Components noted with this symbol shall be replaced only by the component specified. This is required to maintain product safety.



Power Supply PCB Assembly continued

PART#	REV	DESCRIPTION	QTY	REF DESIGNATORS
94-303-02	B00	XFMR 425UH SWITCHING POWER SUPPLY	1	T1
94-505-01	A01	IND IND 4.7 UH 5 A FERRITE CORE	2	L1, L2
94A001-01	A01	IND FERRITE BEAD TAPE&REEL	1	L3
96R006-01	A01	XSTR MPSA06 NPN 80V 1.5W 0.5A	1	Q1
0019268-03	C00	PCB FAB - POWER SUPPLY	1	PWB1
0013065-0	A00	WIRE 18 AWG (16/30) 600V 105C PVC UL1015 BLACK 2"	2	W1, W2

0019267-00 REV A00 PCB ASSEMBLY - POWER AMP

PART#	REV	DESCRIPTION	QTY	REF DESIGNATORS
06B359-01	A00	PCB FAB - 2 X 75W CLASS-D AMP	1	
0021002	A00	CONN HDR 15P .100X1 STR	1	J1 - J3
0019021	A00	CAP .1UF 50V CERAMIC X7R 0805	14	C6, C7, C9, C10, C12, C13, C14, C15, C32, C34, C36, C37, C38, C39
10S153-74	A01	CAP 0.015UF 50V X7R 0603	2	C22, C23
10S221-64	A01	CAP 220PF 50V 0603	5	C11, C24, C25, C33, C35
10S221-94	A01	CAP 220PF 10% X7R 0402	2	C20, C21
10S474-05	A00	CAP .47 UF 100V [10% TOL] SMT PEN FILM	2	C26, C27
12S226-63	A01	CAP 22UF 63V 6.3X8 EL SM	2	C3, C8
12S476-35	A01	CAP 47UF 35V EL SM	2	C4, C5
12S477-35	A01	CAP 470UF 35V EL SM	2	C1, C2
21S051-01	A01	DIODE ZENER 5.1V 5% 1/4WATT SOT-23	1	D1
37S892-02	A00	IC POWER AMP TDA8920B 2X80W CLASS-D	1	IC1
76S10R-021	A01	RES 10 OHM .125W 5% 1206	4	R1, R2, R10, R11
76S301-242	A01	RES 30.1K .1W 1% MF 0805	1	R5
76S390-241	A01	RES 39KOHM .25W 5% 0805	1	R3
94-016-01	A01	IND 27UH 5.6ADC POWER INDICATOR	2	L5, L6
94A001-01	A01	IND FERRITE BEAD TAPE & REEL	2	L1, L2

0015851-00 REV A01 PCB ASSEMBLY - BACK

PART#	REV	DESCRIPTION	QTY	REF DESIGNATORS
0000014	A00	CAP 1000PF X7R 10% 50V 0603	6	C1, C2, C3, C4, C5, C6
0000094	A00	IND FERRITE 120OHM 200MA 0.15DCR 0805 SMT	6	L1, L2, L3, L4, L5, L6
400-407-00	A	CONN HDR 5P .100 RTA LOCK	1	J3
0006991	A00	CONN XLR COMBO VERT NCJ9FI-V-0	1	J1
39-305-01	A01	CONN XLR MALE VERTICAL PCMT	1	J2
0015850-00	A00	PCB FAB - BACK	1	PWB1
145-201-00	B	RES MF SM .1W 1% 121 OHM	3	R3, R4, R5
145-352-00	B	RES MF SM .1W 1% 4K12 OHM	2	R1, R2
0000162	A	SWITCH 2PDT PUSH V SNAPIN	1	SW1



0020719-00 REV B00 PCB ASSEMBLY - FILTER

PART#	REV	DESCRIPTION	QTY	REF DESIGNATORS
0020718-01	B00	PCB FAB - FILTER	1	PWB1
94-049-01	A01	IND 1MH 5A COM MODE CHOKE	1	LF1
212-023-00	B1	CAP CER .001UF 10% 50V NPO SM	2	C1, C2
94A001-01	A01	IND FERRITE BEAD TAPE & REEL	2	L1, L2
0009242	A00	CAP .22UF X7R 10% 50V 1206	2	C3, C4
78A300-21	A01	RES 30 OHM 5% 2W MO AXIAL	2	R1, R2
0020492	A01	CABLES / WIRE 4 PIN HARNESS	1	W3 (RED), W4 (BLACK), W5 (WHITE)
0020982	A02	WIRE ASSEMBLY RED 22GA 8" 0.205	1	W1
0020983	A01	WIRE ASSEMBLY BLACK 22GA 8" 0.110	1	W2



Components noted with this symbol shall be replaced only by the component specified. This is required to maintain product safety.

