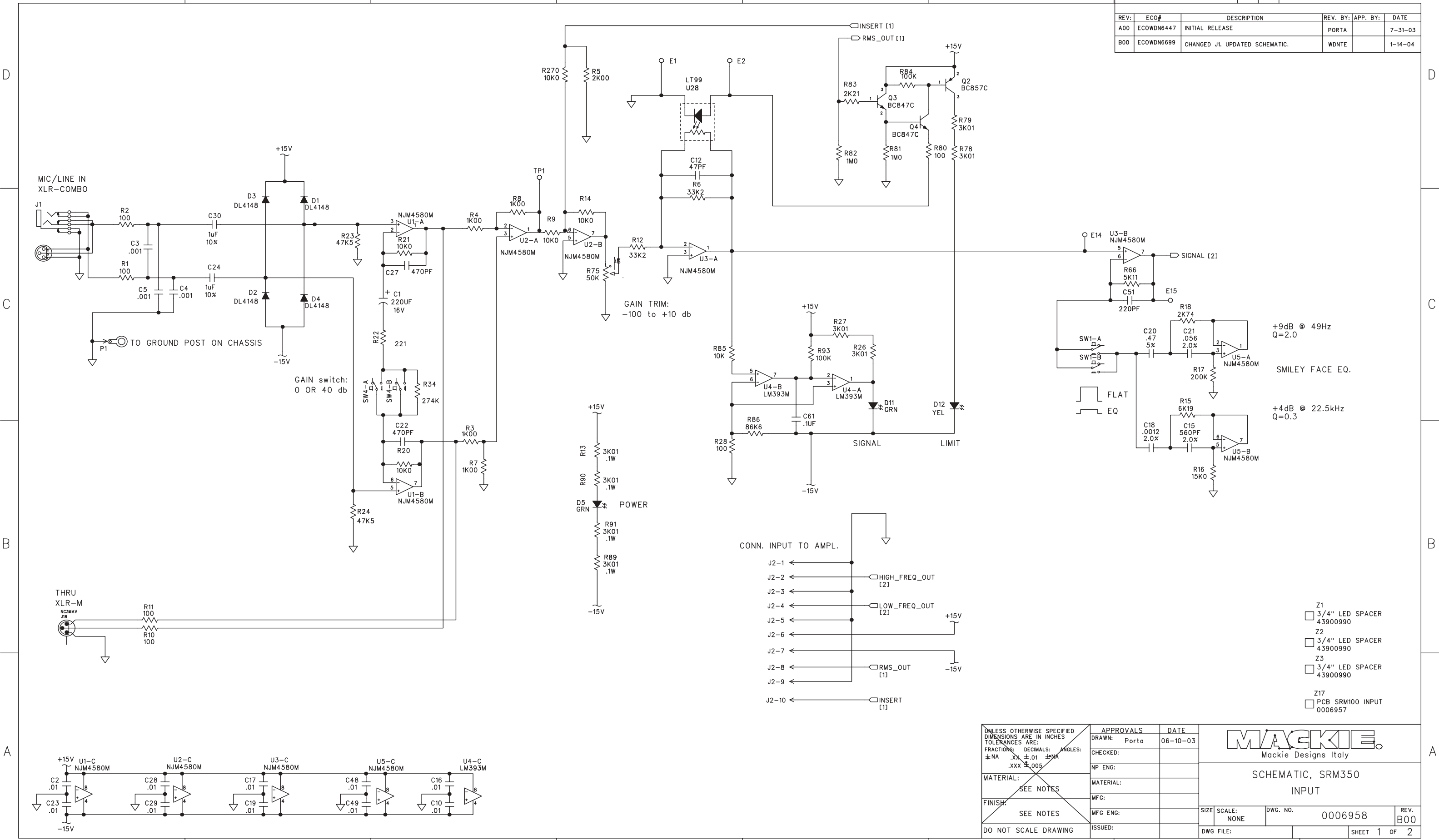
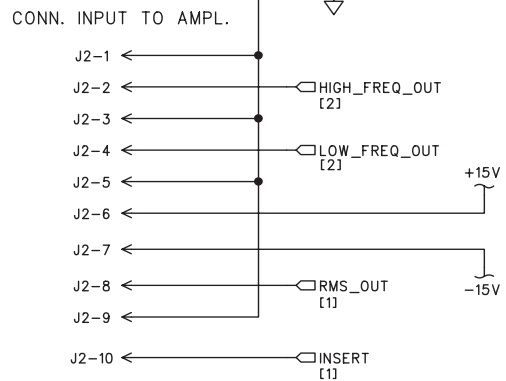


REV:	ECO#	DESCRIPTION	REV. BY:	APP. BY:	DATE
A00	ECOWDN6447	INITIAL RELEASE	PORTA		7-31-03
B00	ECOWDN6699	CHANGED J1. UPDATED SCHEMATIC.	WDNTE		1-14-04



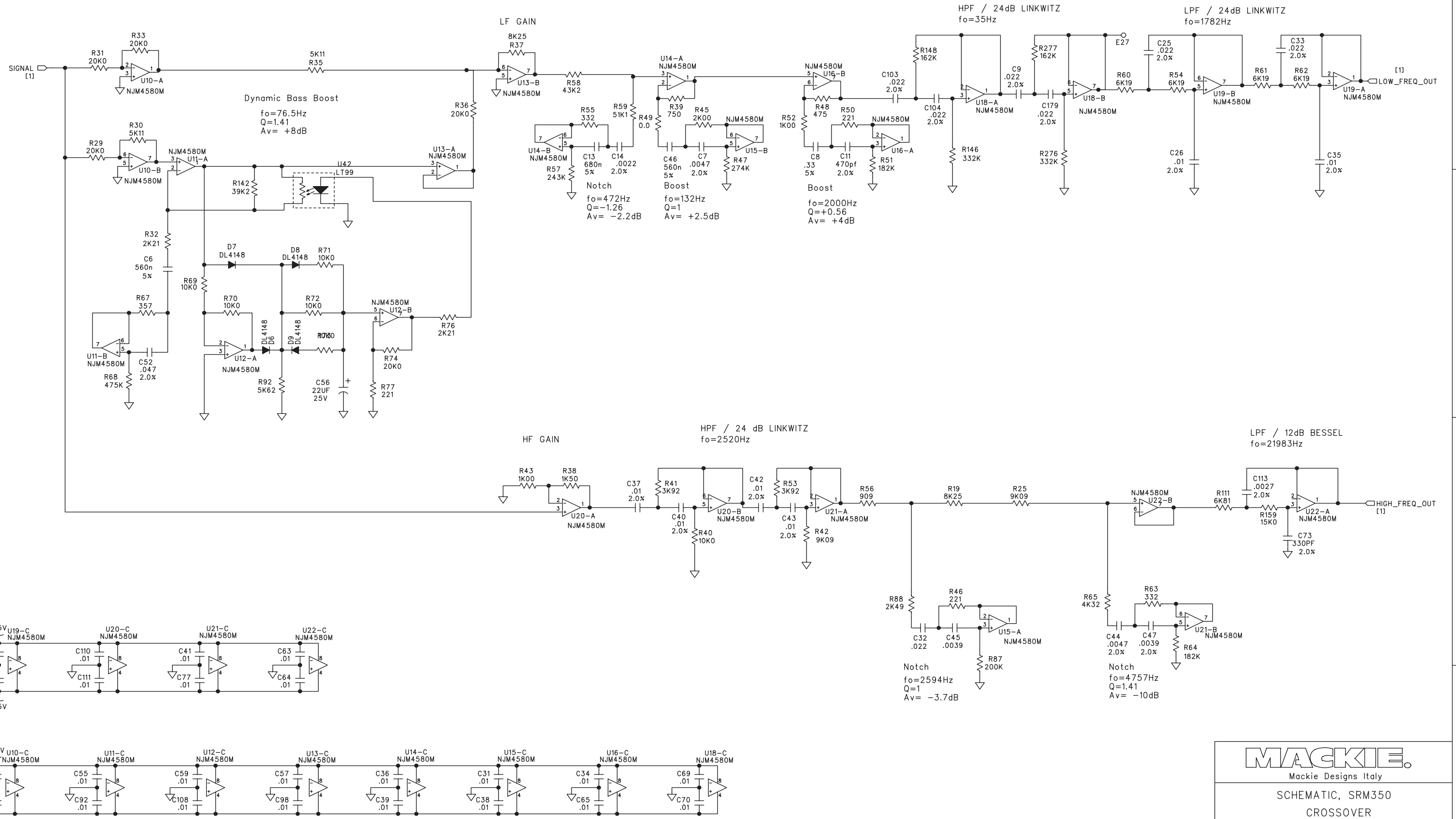
+9dB @ 49Hz  
Q=2.0  
SMILEY FACE EQ.  
+4dB @ 22.5kHz  
Q=0.3



- Z1 □ 3/4" LED SPACER 43900990
- Z2 □ 3/4" LED SPACER 43900990
- Z3 □ 3/4" LED SPACER 43900990
- Z17 □ PCB SRM100 INPUT 0006957

UNLESS OTHERWISE SPECIFIED DIMENSIONS ARE IN INCHES TOLERANCES ARE: FRACTIONS: DECIMALS: ANGLES: ±NA .XX ±.01 ±MA .XXX ±.005	APPROVALS	DATE	<b>MACKIE</b> Mackie Designs Italy
	DRAWN: Porta	06-10-03	
MATERIAL: SEE NOTES	CHECKED:		SCHEMATIC, SRM350 INPUT
	NP ENG:		
FINISH: SEE NOTES	MATERIAL:		SIZE SCALE: NONE DWG. NO. 0006958 REV. B00
	MFG:		
DO NOT SCALE DRAWING	ISSUED:		DWG FILE: SHEET 1 OF 2

D  
C  
B  
A

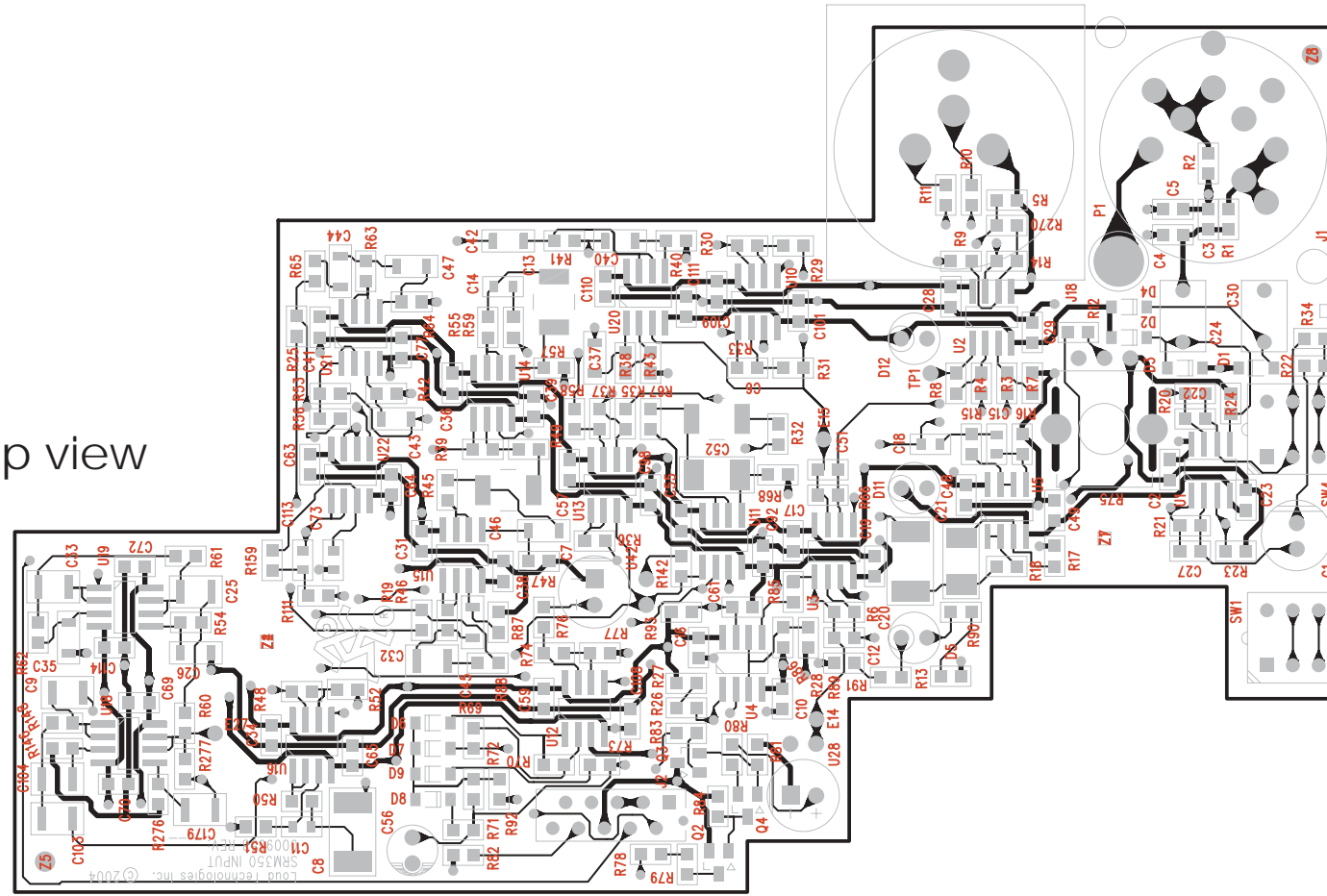


**MACKIE.**  
Mackie Designs Italy

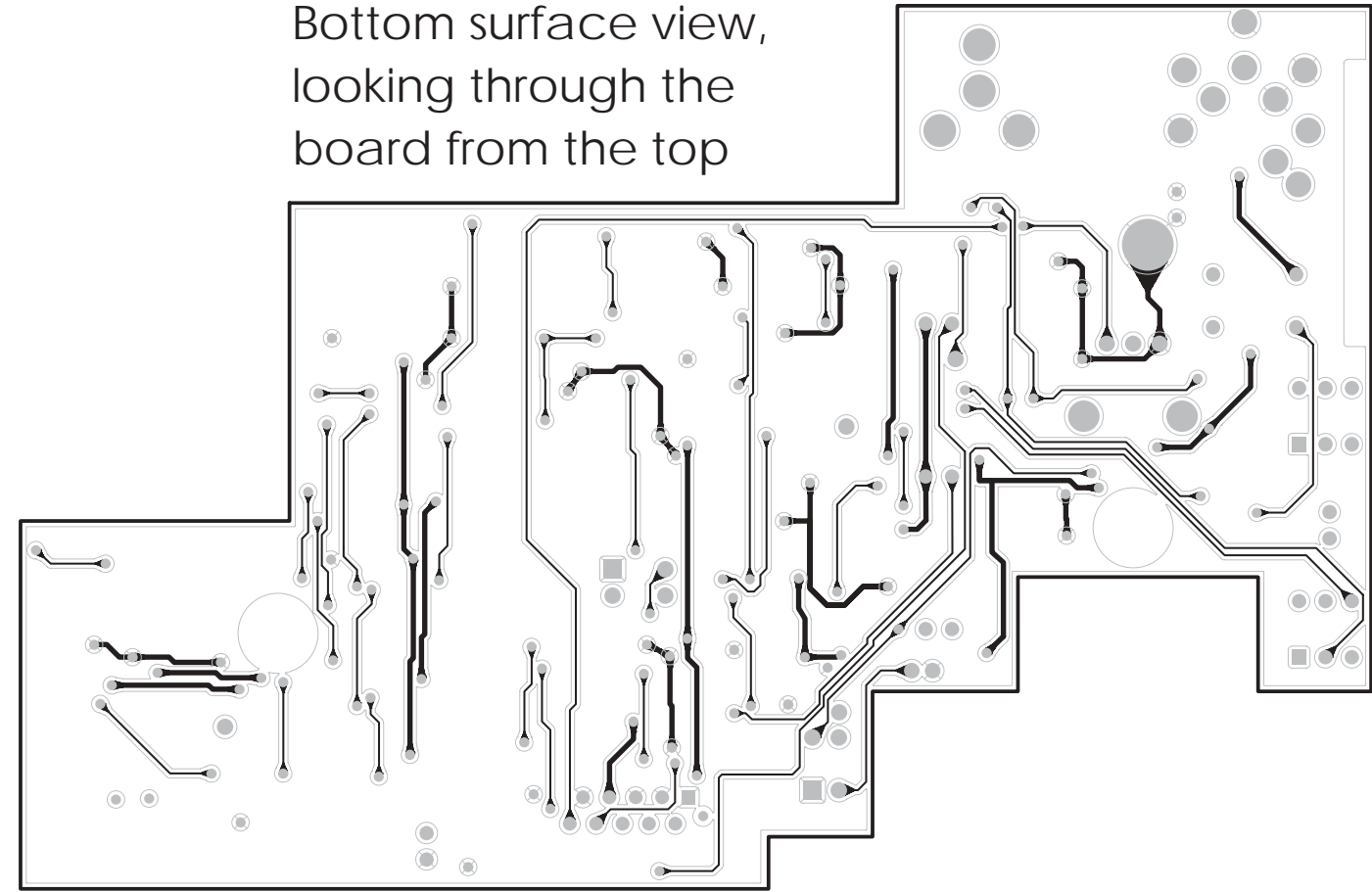
SCHEMATIC, SRM350  
CROSSOVER

SIZE	SCALE: NONE	DWG. NO. 0005968	REV. B00
DWG FILE:		SHEET 2 OF 2	

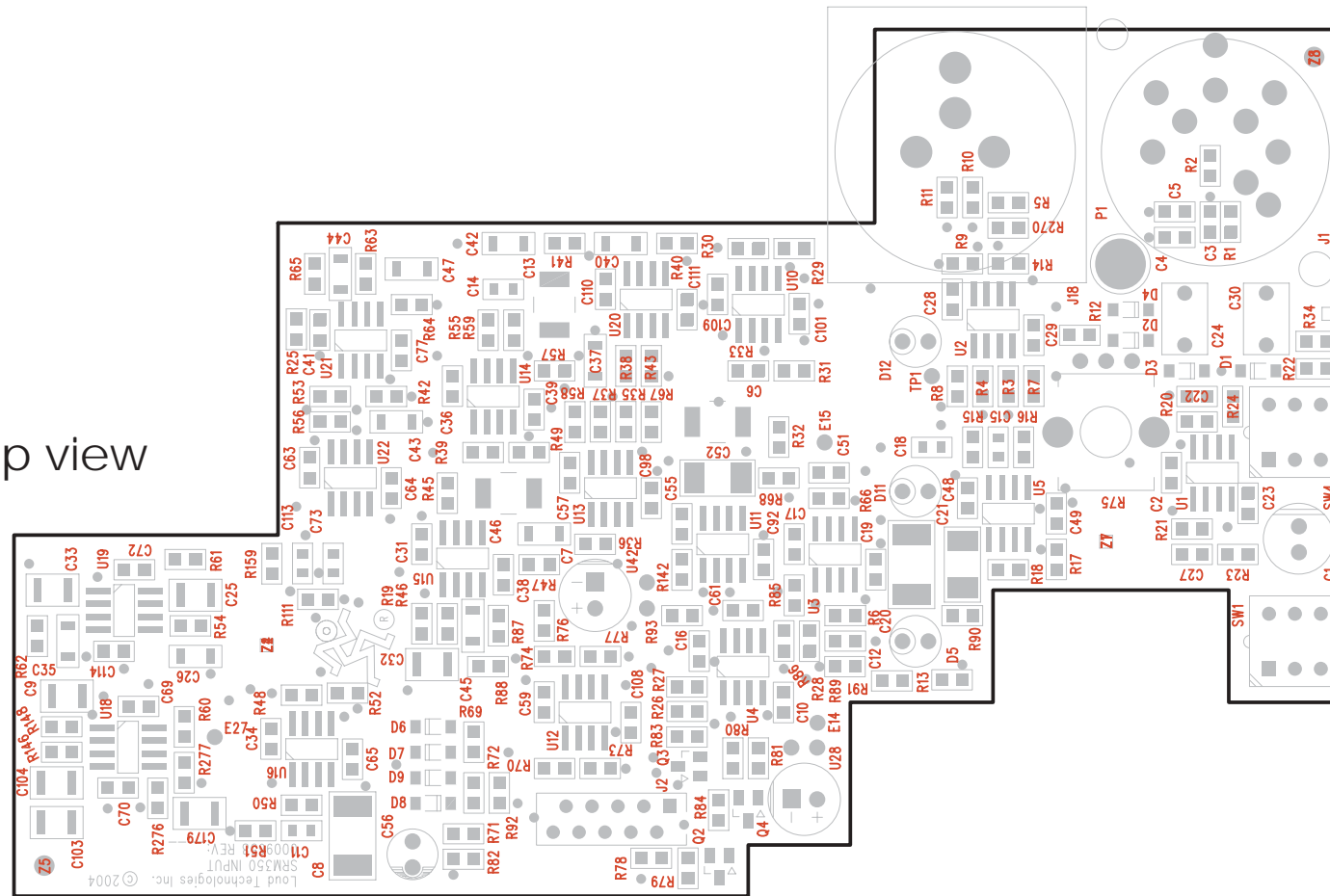
Top view



Bottom surface view, looking through the board from the top



Top view



Bottom surface view

