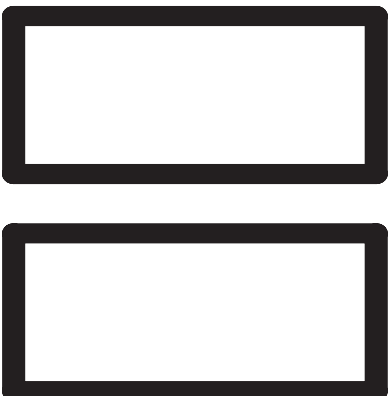


C160

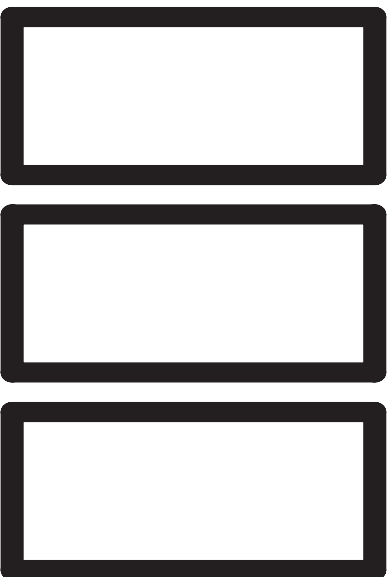


R207 R209

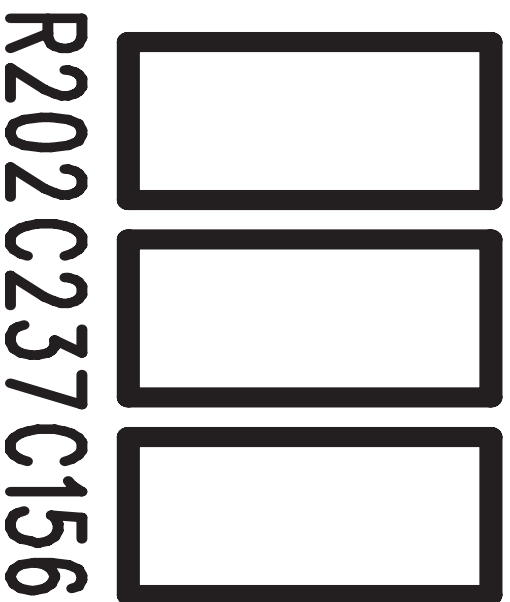
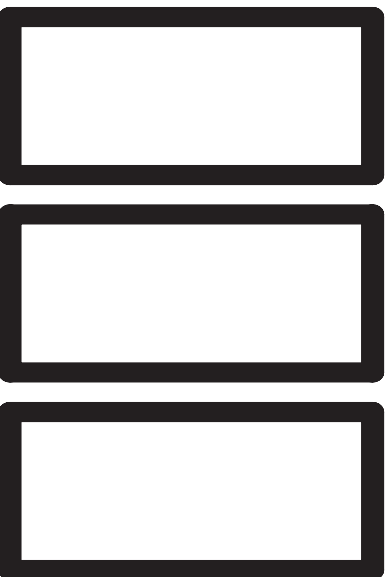


C157

R205 R261 C158



R208 C238 C152

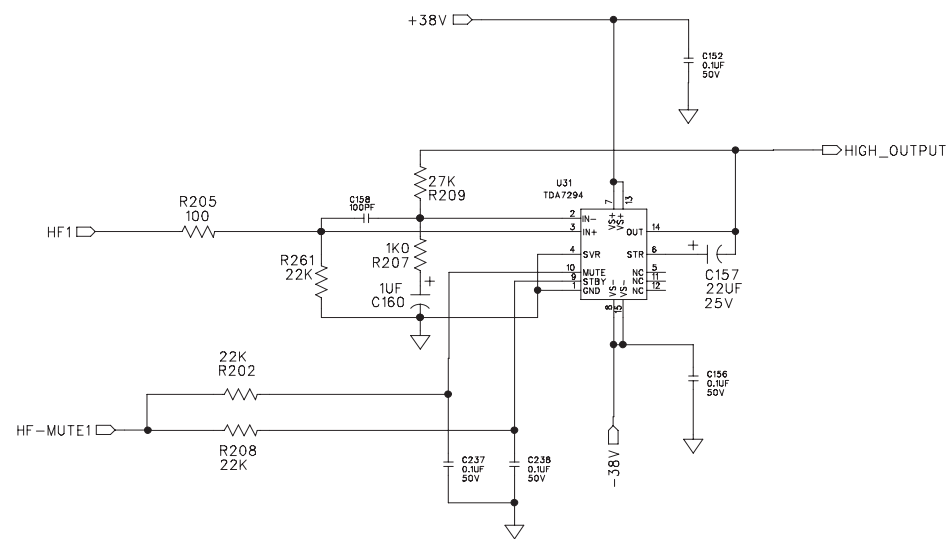


R202 C237 C156



SRM350 V2 AMP-HF U31
PCB:0027415-00 A00
PCB ASSY:0027616-00 A00

ECO/DSR	REV:	DESCRIPTION	REV. BY:	DATE
ECOCHN0318	A00	RELEASE TO PRODUCTION	JEFF	2008-1-2



APPROVALS	DATE				
DRAWN:					
CHECKED:		SCHEMATIC, SRM350 AMP-HF			
NP ENG:					
MATERIAL:		SIZE	SCALE:	DWG. NO.	REV.
MFG:		D	NONE	0027616-00	A00
MFG ENG:		DWG FILE:		SHEET 1 OF 1	
ISSUED:					