

SRM450 V2 AMP
 PCB:0027054-00 REVA00
 120V VERSION PCB ASSY:0029446-00 REVA00
 240V VERSION PCB ASSY:0029446-01 REVA00

DWG. NO.	SHT	REV:	1		A00	1
REV:	ECO#	DESCRIPTION	REV. BY:	DATE		
A00	ECOCHN0260	INITIAL RELEASE TO PRODUCTION	JEFF	14-12-07		

D

D

C

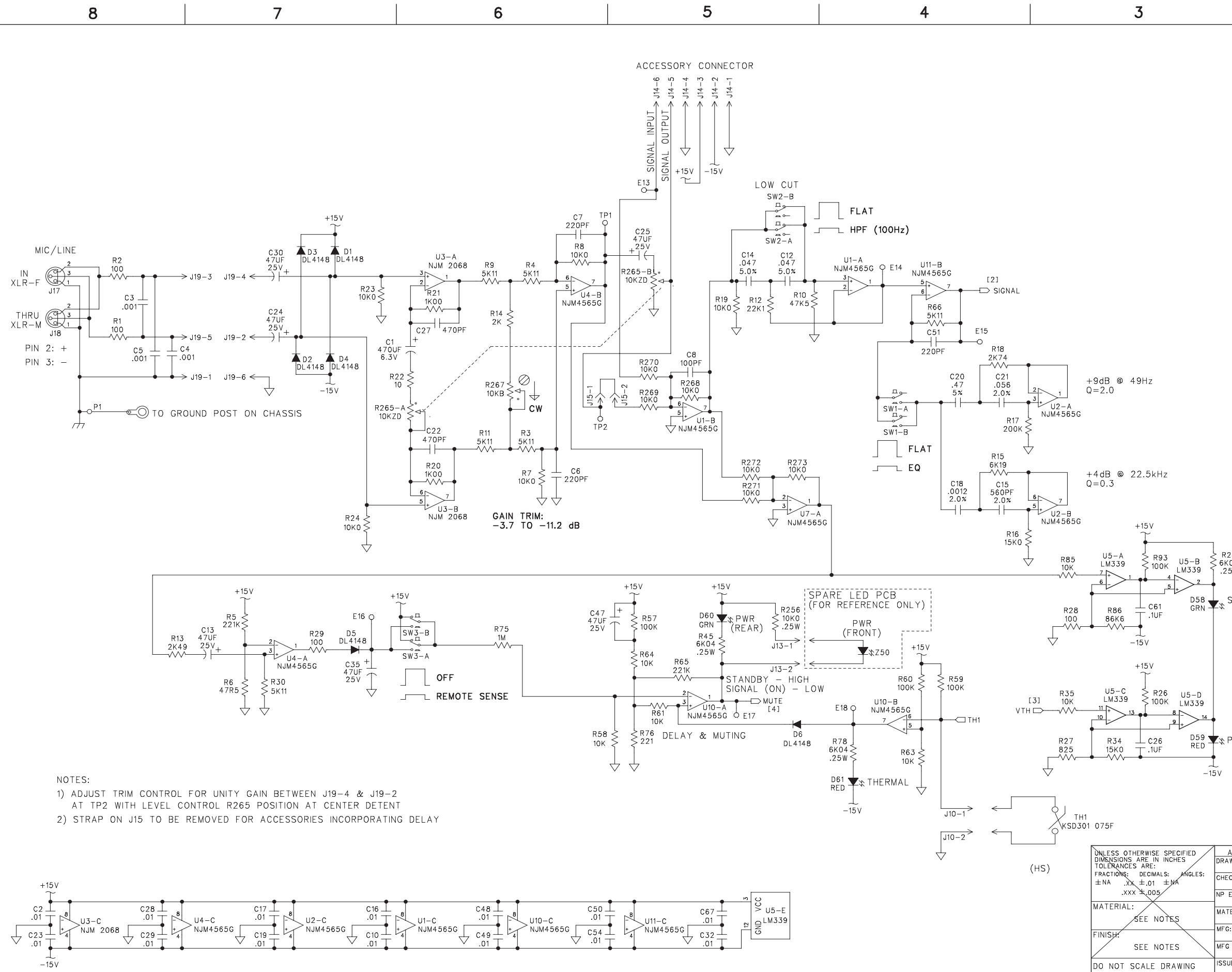
C

B

B

A

A



- NOTES:
- 1) ADJUST TRIM CONTROL FOR UNITY GAIN BETWEEN J19-4 & J19-2 AT TP2 WITH LEVEL CONTROL R265 POSITION AT CENTER DETENT
 - 2) STRAP ON J15 TO BE REMOVED FOR ACCESSORIES INCORPORATING DELAY

UNLESS OTHERWISE SPECIFIED DIMENSIONS ARE IN INCHES TOLERANCES ARE: FRACTIONS: DECIMALS: ANGLES: ±NA .XX ±.01 ±NA .XXX ±.005	APPROVALS	DATE
	DRAWN: JEFF	13-12-07
MATERIAL: SEE NOTES	CHECKED:	
	NP ENG:	
FINISH: SEE NOTES	MATERIAL:	
	MFG:	
DO NOT SCALE DRAWING	MFG ENG:	
	ISSUED: LEIGH	1-8-99

MACKIE Mackie Designs Inc. Woodinville, Wa.	
SCHEMATIC, SRM450 AMP	
SIZE: D	SCALE: NONE
DWG. NO. 0029446-00(120V) 0029446-01(240V)	REV. A00
DWG FILE:	SHEET 1 OF 5

REV:	ECO#	DESCRIPTION	REV. BY:	DATE
A00	ECOCHN0260	INITIAL RELEASE TO PRODUCTION	JEFF	14-12-07

D

D

C

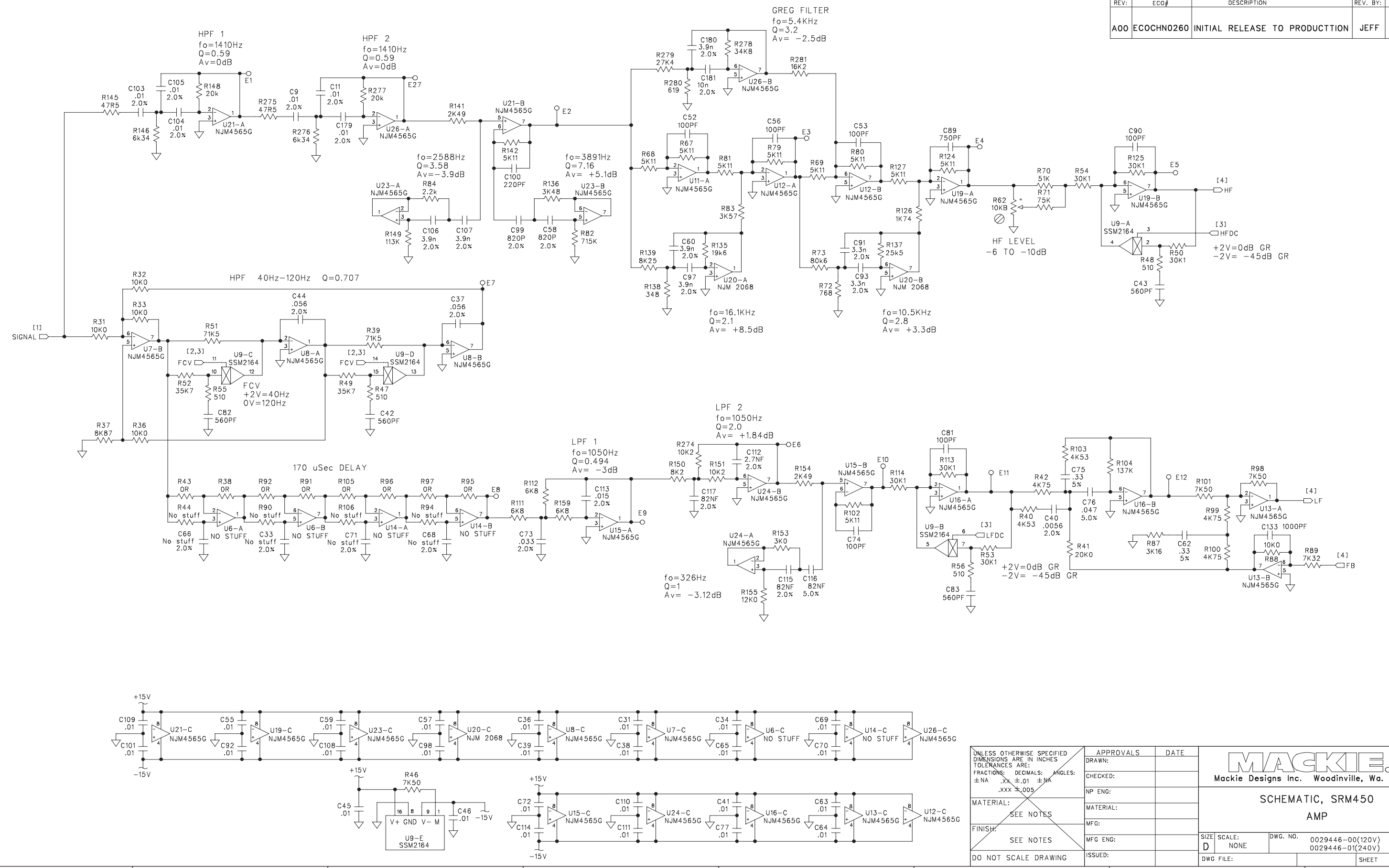
C

B

B

A

A



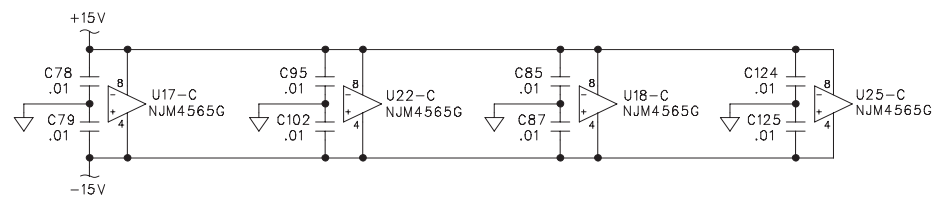
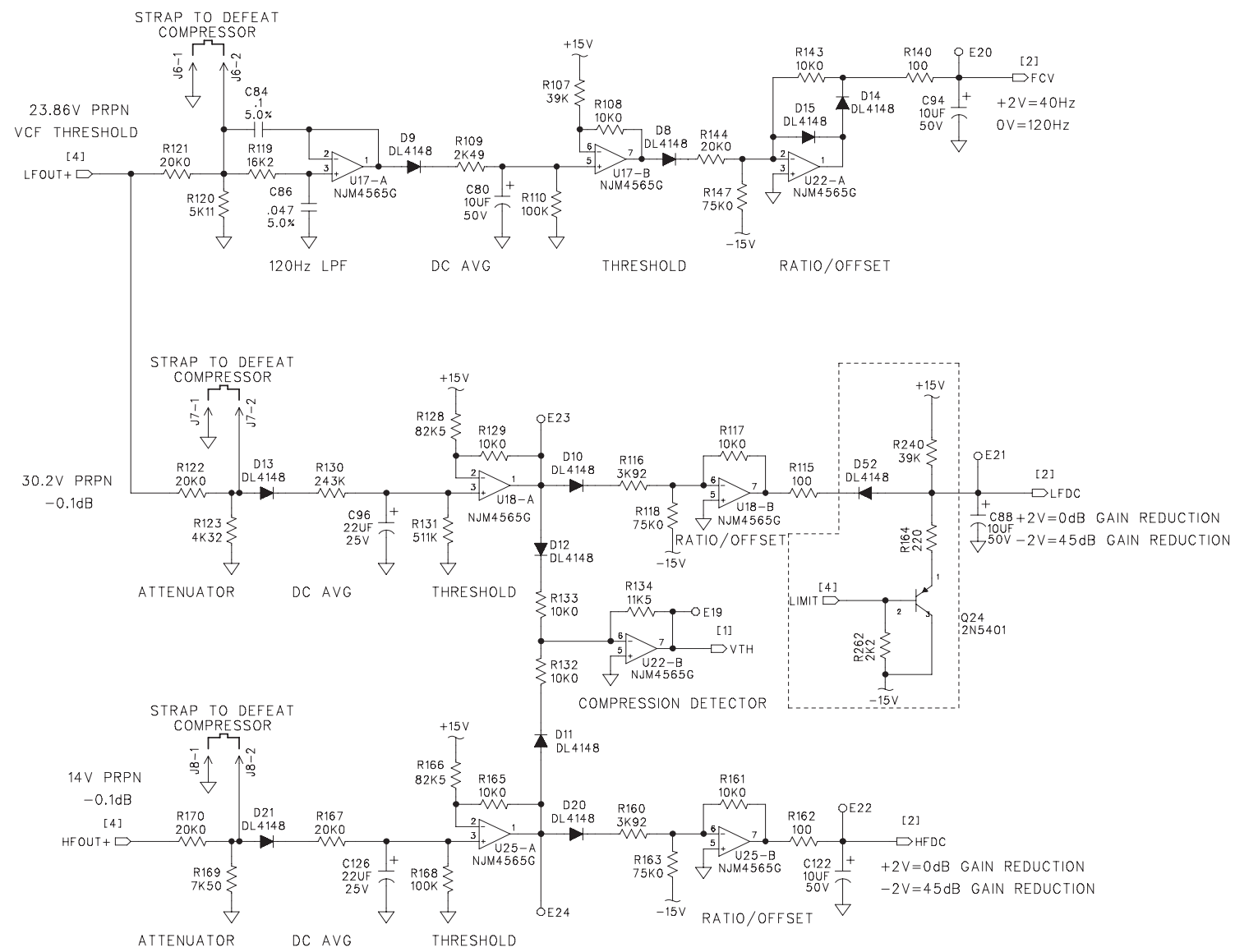
APPROVALS		DATE
DRAWN:		
CHECKED:		
NP ENG:		
MATERIAL:		
MFG:		
FINISH:		
MFG ENG:		
ISSUED:		

MACKIE
Mackie Designs Inc. Woodinville, Wa.

SCHEMATIC, SRM450
AMP

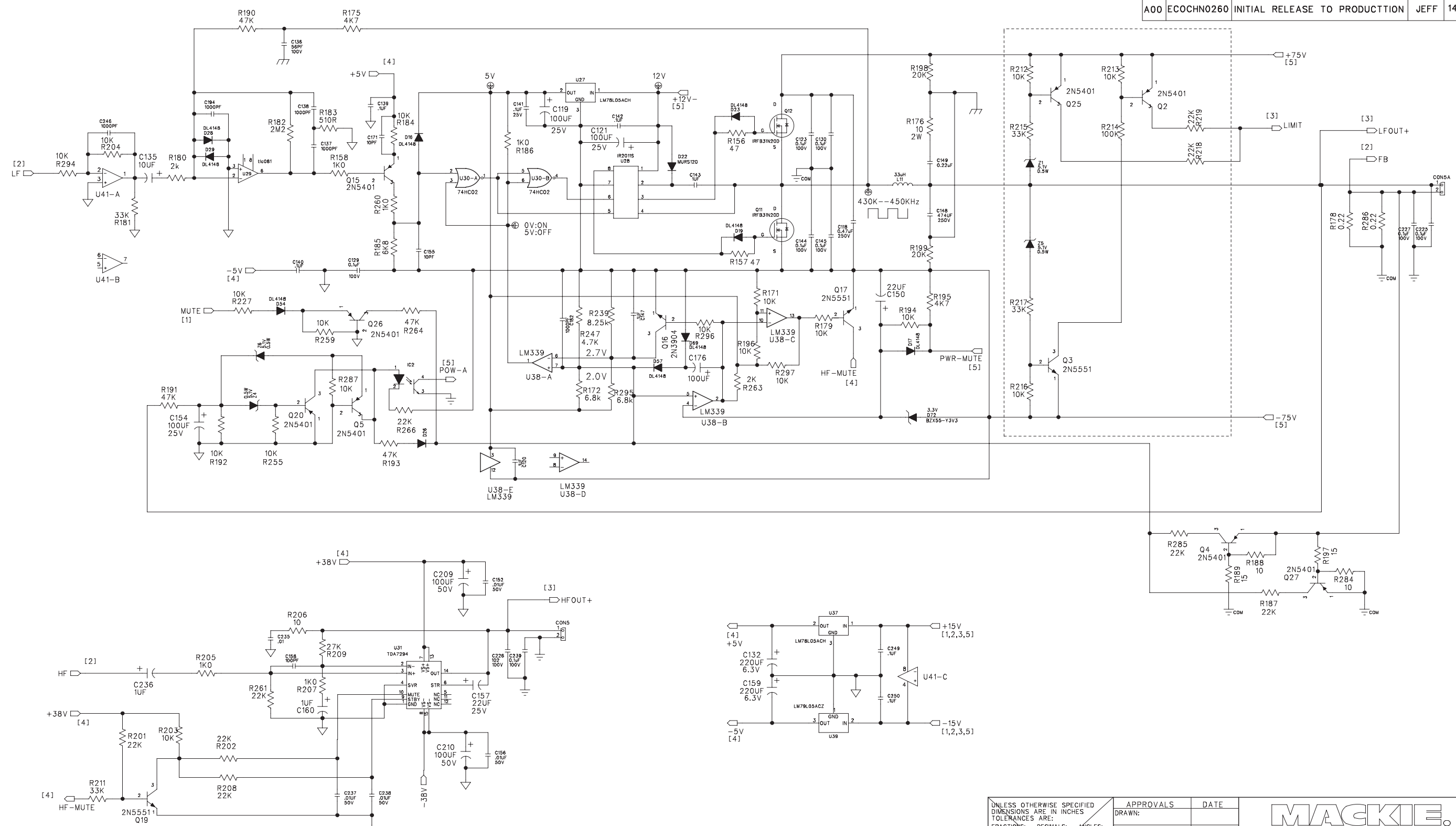
SIZE: D	SCALE: NONE	DWG. NO. 0029446-00(120V) 0029446-01(240V)	REV. A00
DWG FILE:		SHEET 2 OF 5	

DWG. NO.	SHT	REV:	1
	3	A00	
REV:	ECO#	DESCRIPTION	REV. BY: DATE
A00	ECOCHN0260	INITIAL RELEASE TO PRODUCTION	JEFF 14-12-07



UNLESS OTHERWISE SPECIFIED DIMENSIONS ARE IN INCHES TOLERANCES ARE: FRACTIONS: DECIMALS: ANGLES: ±.NA .XX ±.01 ±.MA .XXX ±.005	APPROVALS	DATE	
	DRAWN:		
	CHECKED:		
	NP ENG:		
MATERIAL:	MATERIAL:		SCHEMATIC, SRM450 AMP
SEE NOTES	MFG:		
FINISH:	MFG ENG:		SIZE: D SCALE: NONE DWG. NO. 0029446-00(120V) 0029446-01(240V) REV. A00
DO NOT SCALE DRAWING	ISSUED:		DWG FILE: SHEET 3 OF 5

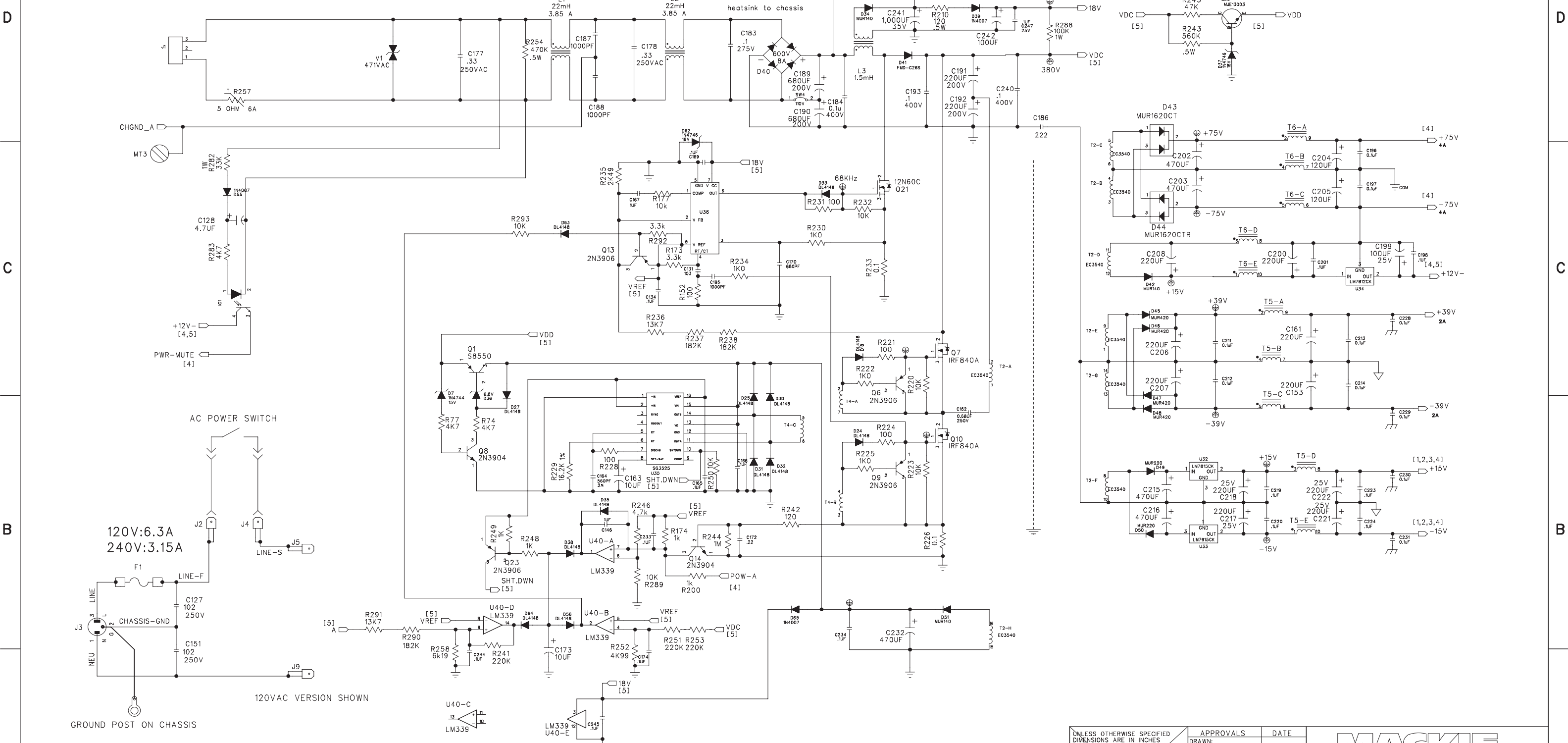
DWG. NO.	SHT	REV:	1
A00 ECOCHN0260	4	A00	
REV:	ECO#	DESCRIPTION	REV. BY: DATE
A00	ECOCHN0260	INITIAL RELEASE TO PRODUCTION	JEFF 14-12-07



UNLESS OTHERWISE SPECIFIED DIMENSIONS ARE IN INCHES TOLERANCES ARE: FRACTIONS: DECIMALS: ANGLES: ± NA .XX ±.01 ±MA .XXX ±.005	APPROVALS	DATE
MATERIAL: SEE NOTES	CHECKED:	
FINISH: SEE NOTES	NP ENG:	
DO NOT SCALE DRAWING	MATERIAL:	
	MFG:	
	MFG ENG:	
	ISSUED:	

MACKIE Mackie Designs Inc. Woodinville, Wa.	
SCHEMATIC, SRM450 AMP	
SIZE: D	SCALE: NONE
DWG. NO. 0029446-00(120V) 0029446-01(240V)	REV. A00
DWG FILE:	SHEET 4 OF 5

REV:	ECO#	DESCRIPTION	REV. BY:	DATE
A00	ECOCHN0260	INITIAL RELEASE TO PRODUCTION	JEFF	14-12-07

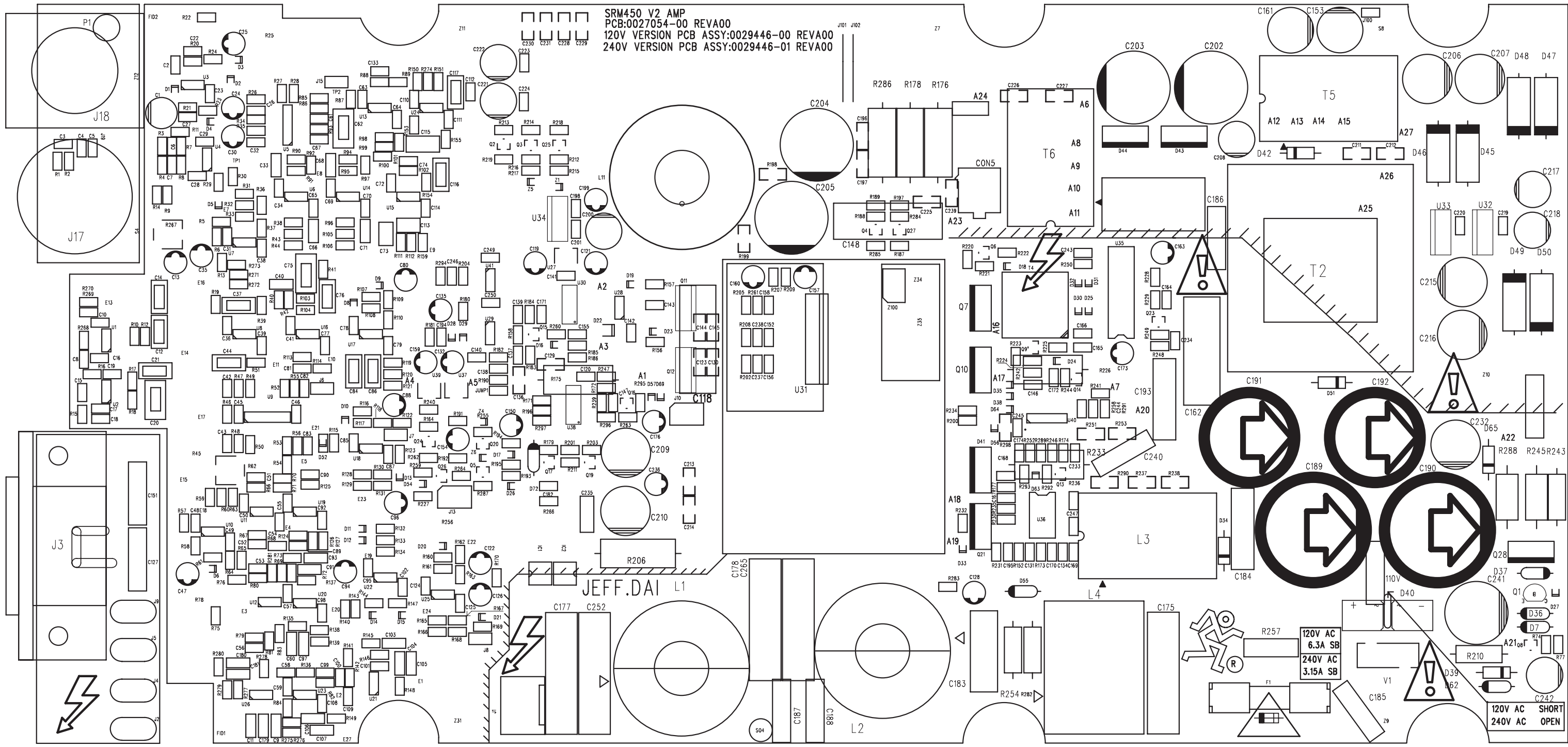


UNLESS OTHERWISE SPECIFIED DIMENSIONS ARE IN INCHES TOLERANCES ARE: FRACTIONS: DECIMALS: ANGLES: ±NA .XX ±.01 ±NA .XXX ±.005	APPROVALS	DATE
MATERIAL: SEE NOTES	DRAWN:	
FINISH: SEE NOTES	CHECKED:	
DO NOT SCALE DRAWING	NP ENG:	
	MATERIAL:	
	MFG:	
	MFG ENG:	
	ISSUED:	

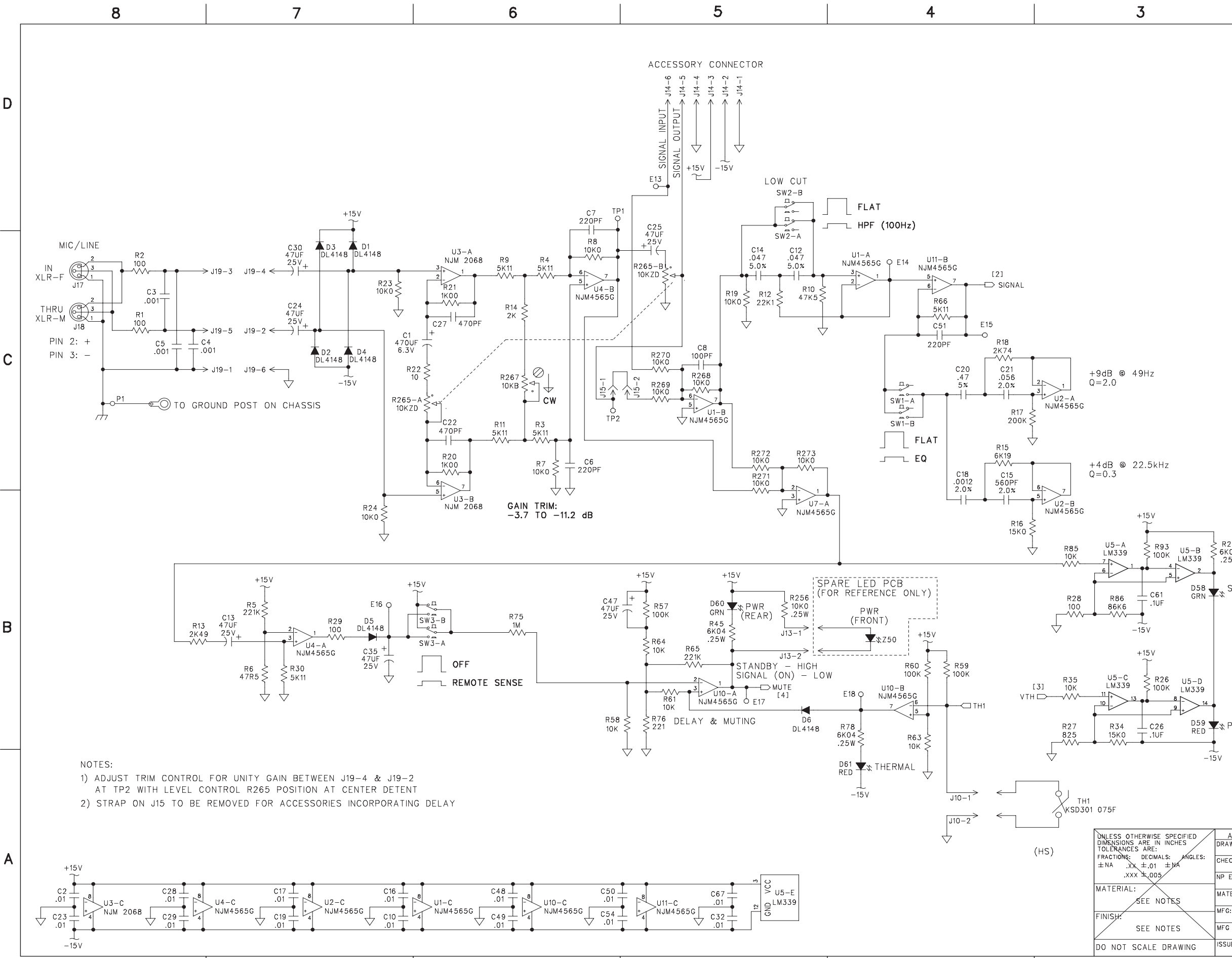
MACKIE
Mackie Designs Inc. Woodinville, Wa.

**SCHEMATIC, SRM450
AMP**

SIZE D	SCALE NONE	DWG. NO. 0029446-00(120V) 0029446-01(240V)	REV. A00
DWG FILE:		SHEET 5 OF 5	



DWG. NO.	SHT 1	REV: A00	1	
REV: ECO#	DESCRIPTION	REV. BY:	DATE	
A00	ECOCHN0260	INITIAL RELEASE TO PRODUCTION	JEFF	14-12-07



UNLESS OTHERWISE SPECIFIED DIMENSIONS ARE IN INCHES TOLERANCES ARE: FRACTIONS: DECIMALS: ANGLES: ±NA .XX ±.01 ±NA .XXX ±.005	APPROVALS	DATE	 Mackie Designs Inc. Woodinville, Wa.
	DRAWN: JEFF	13-12-07	
MATERIAL: SEE NOTES	CHECKED:		SCHEMATIC, SRM450 AMP
FINISH: SEE NOTES	NP ENG:		
DO NOT SCALE DRAWING	MATERIAL:		SIZE: D SCALE: NONE DWG. NO. 0029446-00(120V) 0029446-01(240V) REV. A00 ISSUED: LEIGH 1-8-99 DWG FILE: SHEET 1 OF 5
	MFG:		

REV:	ECO#	DESCRIPTION	REV. BY:	DATE
A00	ECOCHN0260	INITIAL RELEASE TO PRODUCTION	JEFF	14-12-07

D

D

C

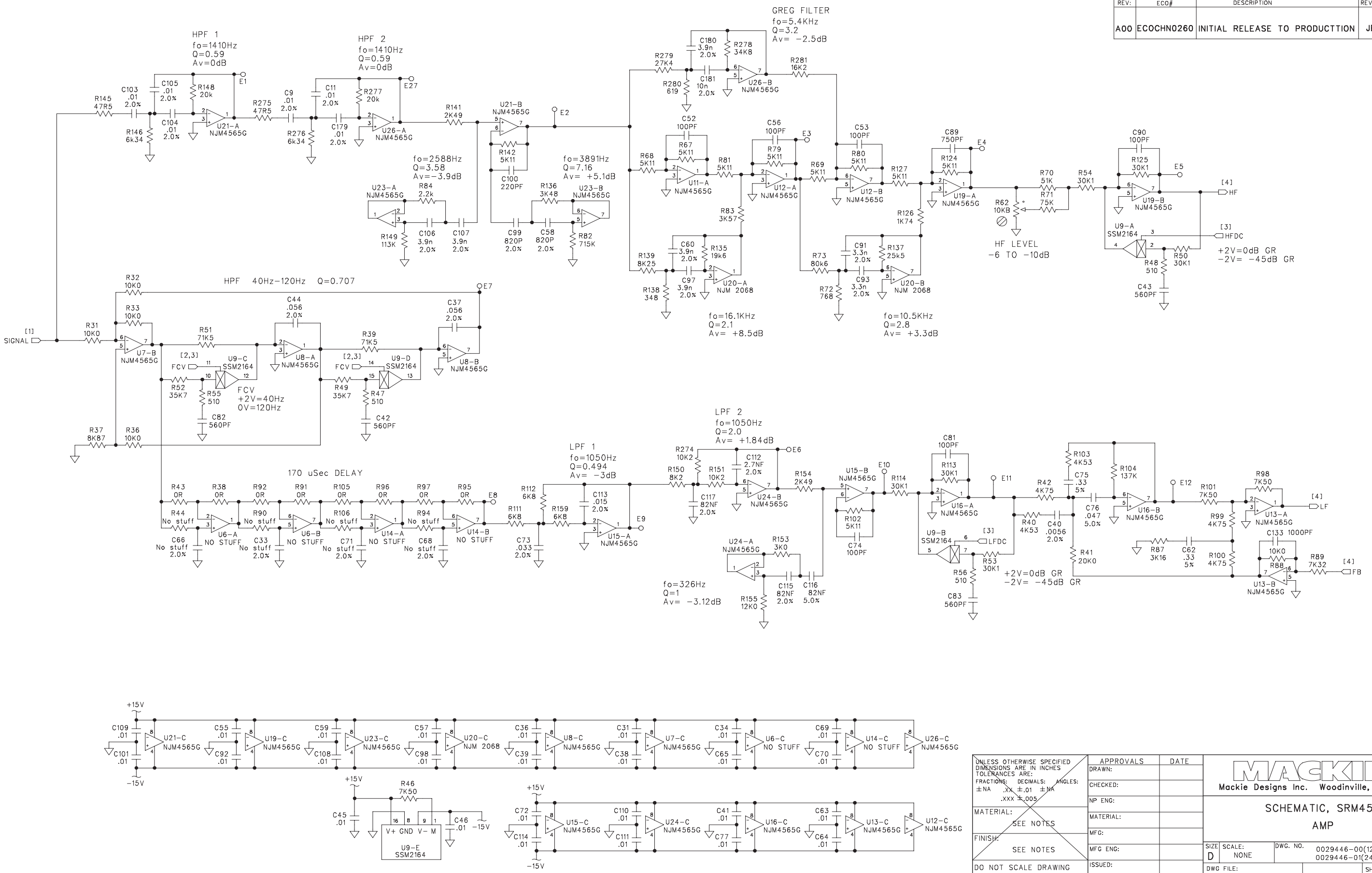
C

B

B

A

A



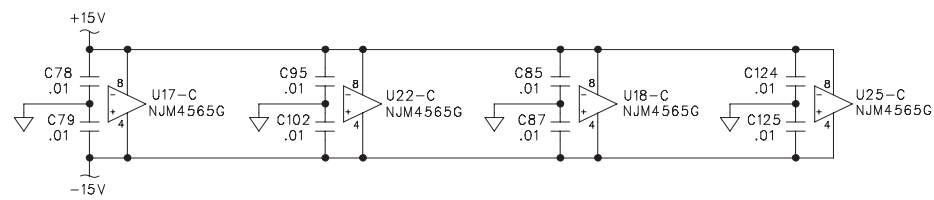
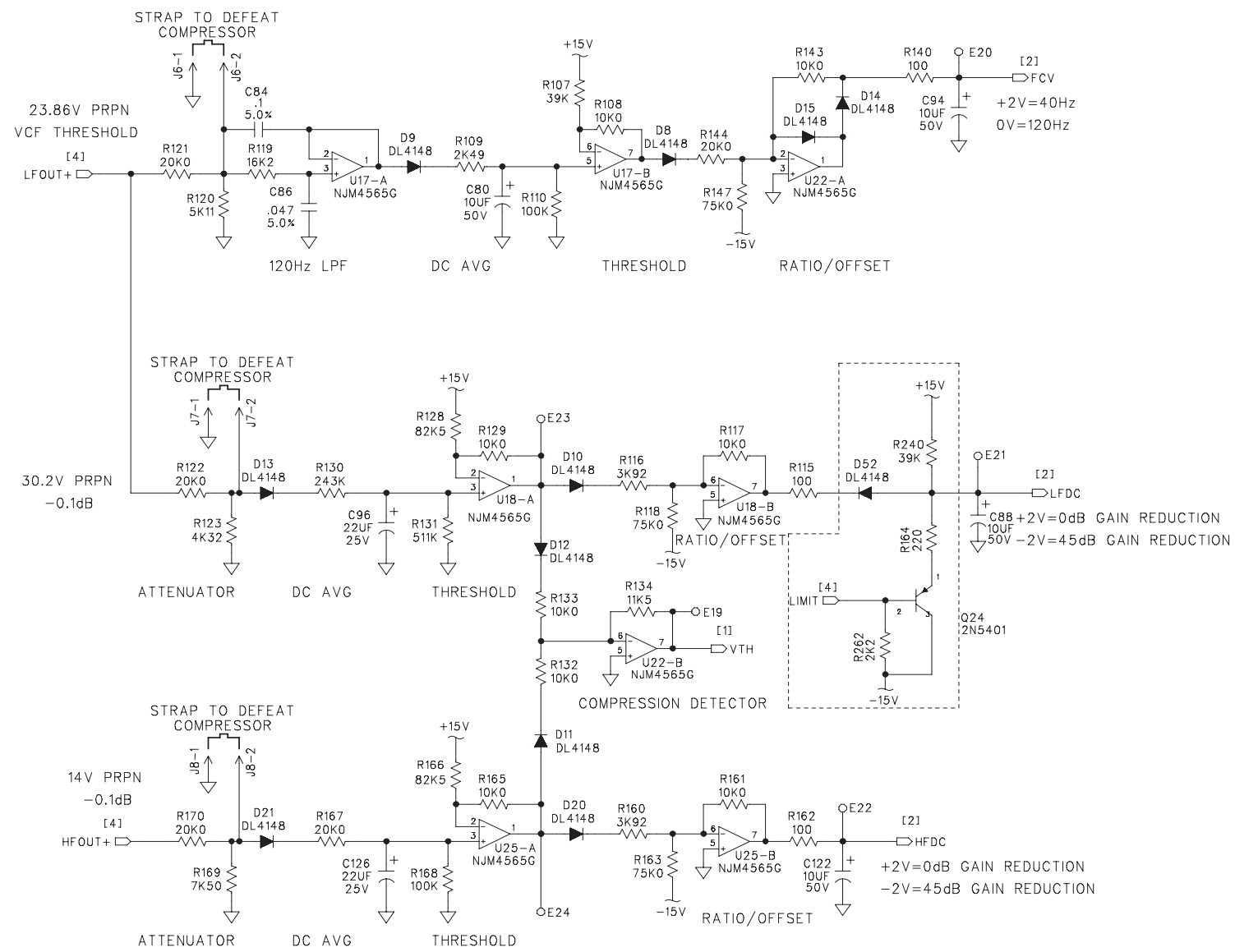
APPROVALS	DATE
CHECKED:	
NP ENG:	
MATERIAL:	
MFG:	
FINISH:	
DO NOT SCALE DRAWING	

MACKIE
Mackie Designs Inc. Woodinville, Wa.

SCHEMATIC, SRM450
AMP

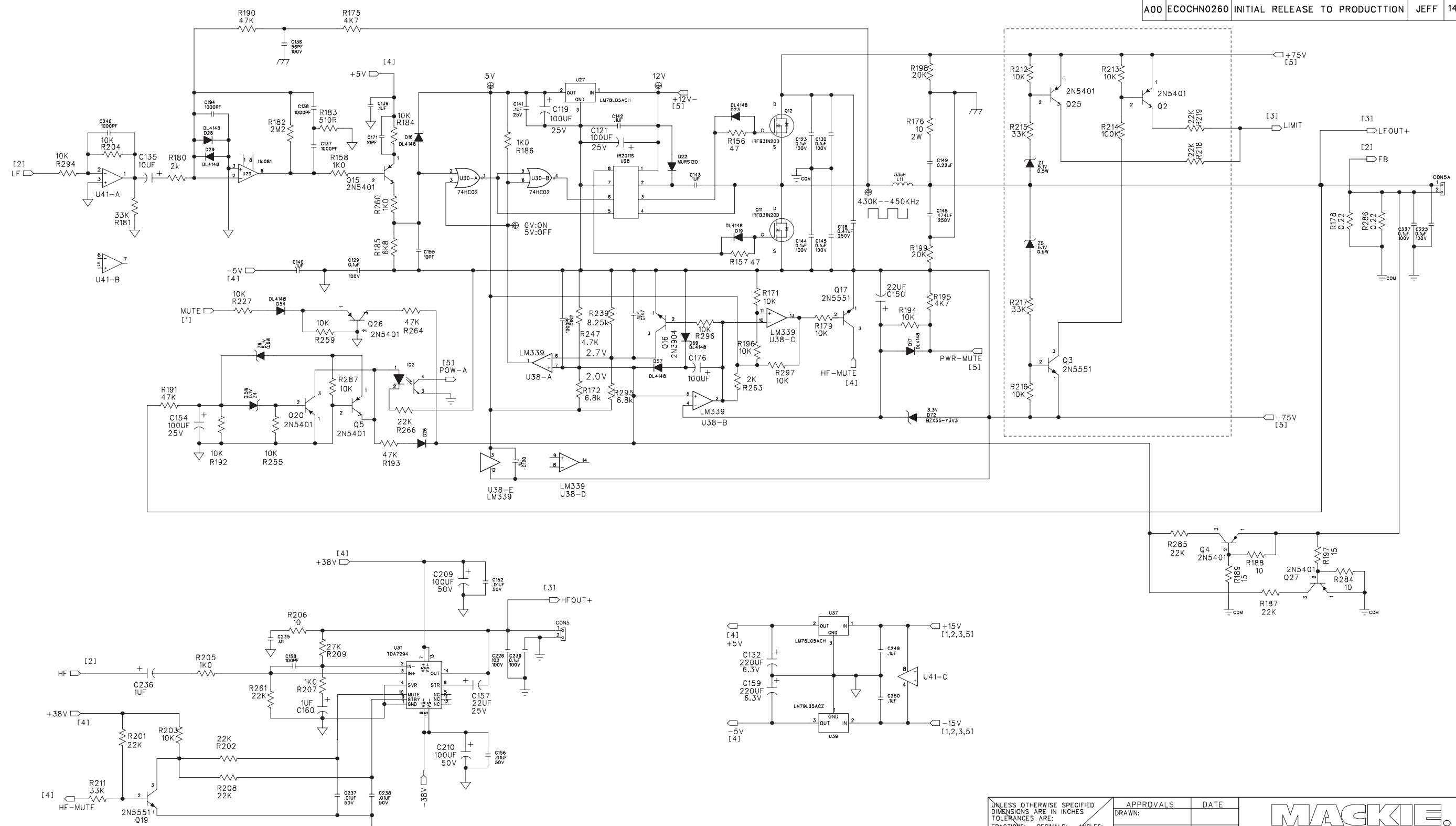
SIZE: D	SCALE: NONE	DWG. NO. 0029446-00(120V) 0029446-01(240V)	REV. A00
DWG FILE:		SHEET 2 OF 5	

DWG. NO.	SHT	REV:	1
	3	A00	
REV:	ECO#	DESCRIPTION	REV. BY: DATE
A00	ECOCHN0260	INITIAL RELEASE TO PRODUCTION	JEFF 14-12-07



UNLESS OTHERWISE SPECIFIED DIMENSIONS ARE IN INCHES TOLERANCES ARE: FRACTIONS: DECIMALS: ANGLES: ±NA .XX ±.01 ±MA .XXX ±.005	APPROVALS	DATE	
	DRAWN:		
MATERIAL: SEE NOTES	NP ENG:		SCHEMATIC, SRM450 AMP
	MATERIAL:		
FINISH: SEE NOTES	MFG:		SIZE: D SCALE: NONE DWG. NO. 0029446-00(120V) 0029446-01(240V) REV. A00
	MFG ENG:		
DO NOT SCALE DRAWING	ISSUED:		DWG FILE: SHEET 3 OF 5

DWG. NO.	SHT	REV.	1
A00 ECOCHN0260	4	A00	
REV:	ECO#	DESCRIPTION	REV. BY: DATE
A00	ECOCHN0260	INITIAL RELEASE TO PRODUCTION	JEFF 14-12-07



UNLESS OTHERWISE SPECIFIED DIMENSIONS ARE IN INCHES TOLERANCES ARE:	APPROVALS	DATE
FRACTIONS: DECIMALS: ANGLES:	DRAWN:	
± NA .XX ±.01 ±MA .XXX ±.005	CHECKED:	
MATERIAL:	NP ENG:	
SEE NOTES	MATERIAL:	
FINISH:	MFG:	
SEE NOTES	MFG ENG:	
DO NOT SCALE DRAWING	ISSUED:	

MACKIE.
Mackie Designs Inc. Woodinville, Wa.

SCHEMATIC, SRM450
AMP

SIZE	SCALE:	DWG. NO.	0029446-00(120V)	REV.
D	NONE		0029446-01(240V)	A00
DWG FILE:				SHEET 4 OF 5

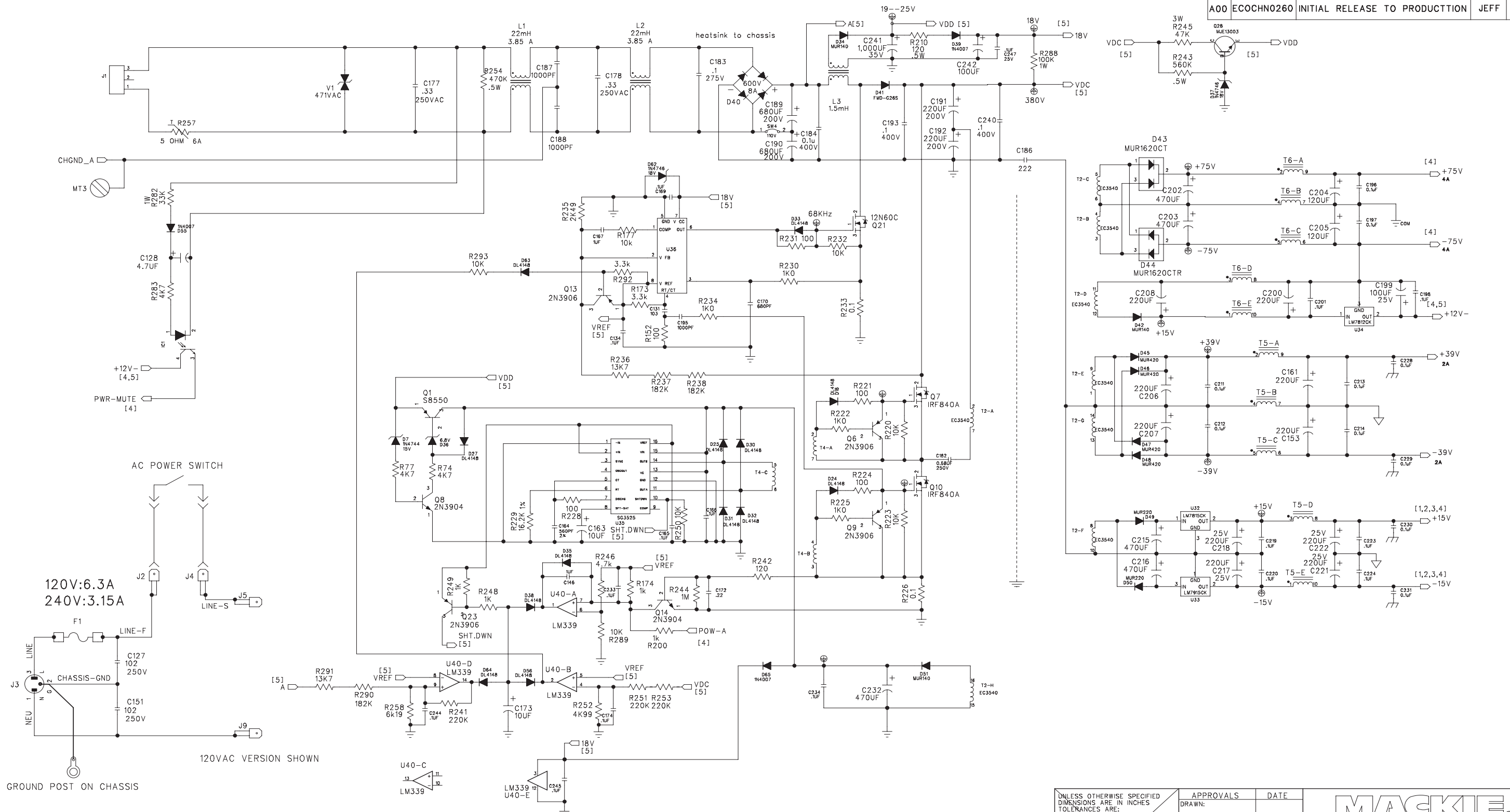
REV:	ECO#	DESCRIPTION	REV. BY:	DATE
A00	ECOCHN0260	INITIAL RELEASE TO PRODUCTION	JEFF	14-12-07

D

C

B

A



APPROVALS	DATE
DRAWN:	
CHECKED:	
NP ENG:	
MATERIAL:	
MFG:	
MFG ENG:	
ISSUED:	

MACKIE
Mackie Designs Inc. Woodinville, Wa.

**SCHEMATIC, SRM450
AMP**

SIZE: D	SCALE: NONE	DWG. NO. 0029446-00(120V) 0029446-01(240V)	REV. A00
DWG FILE:		SHEET 5 OF 5	