

D

D

C

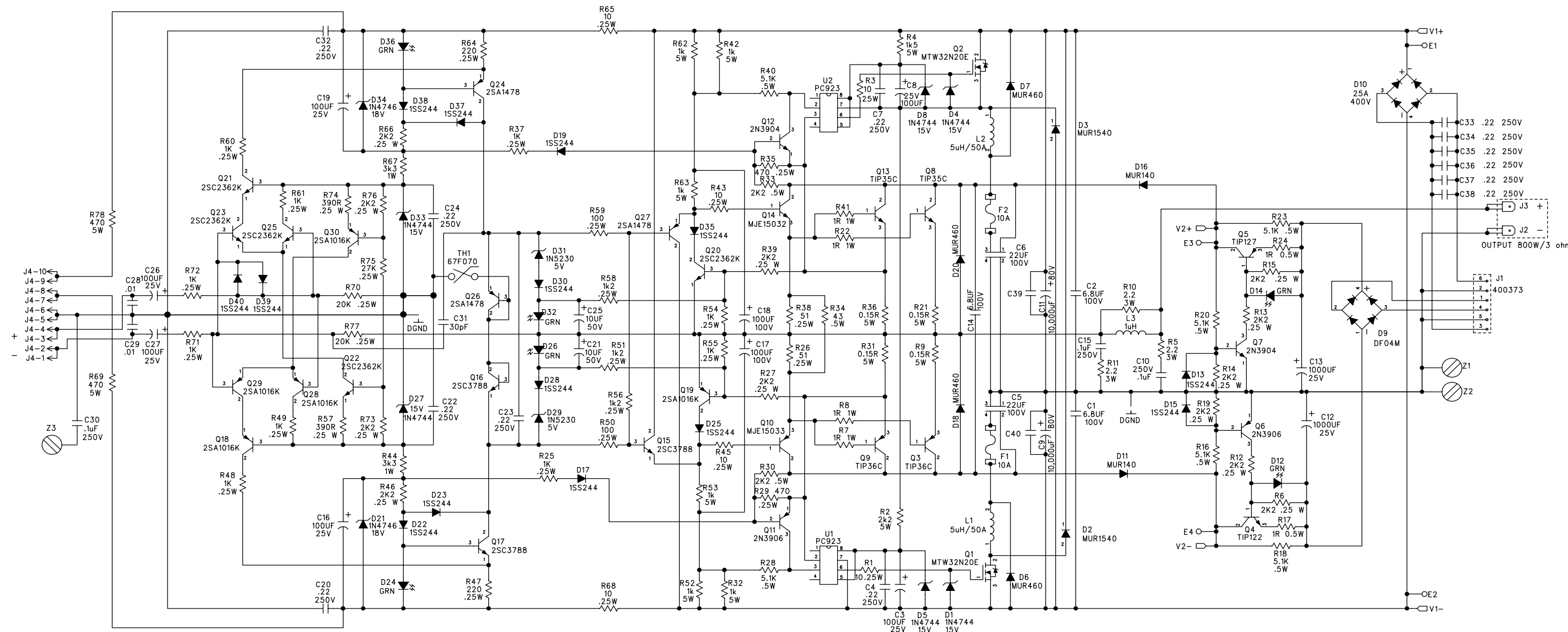
C

B

B

A

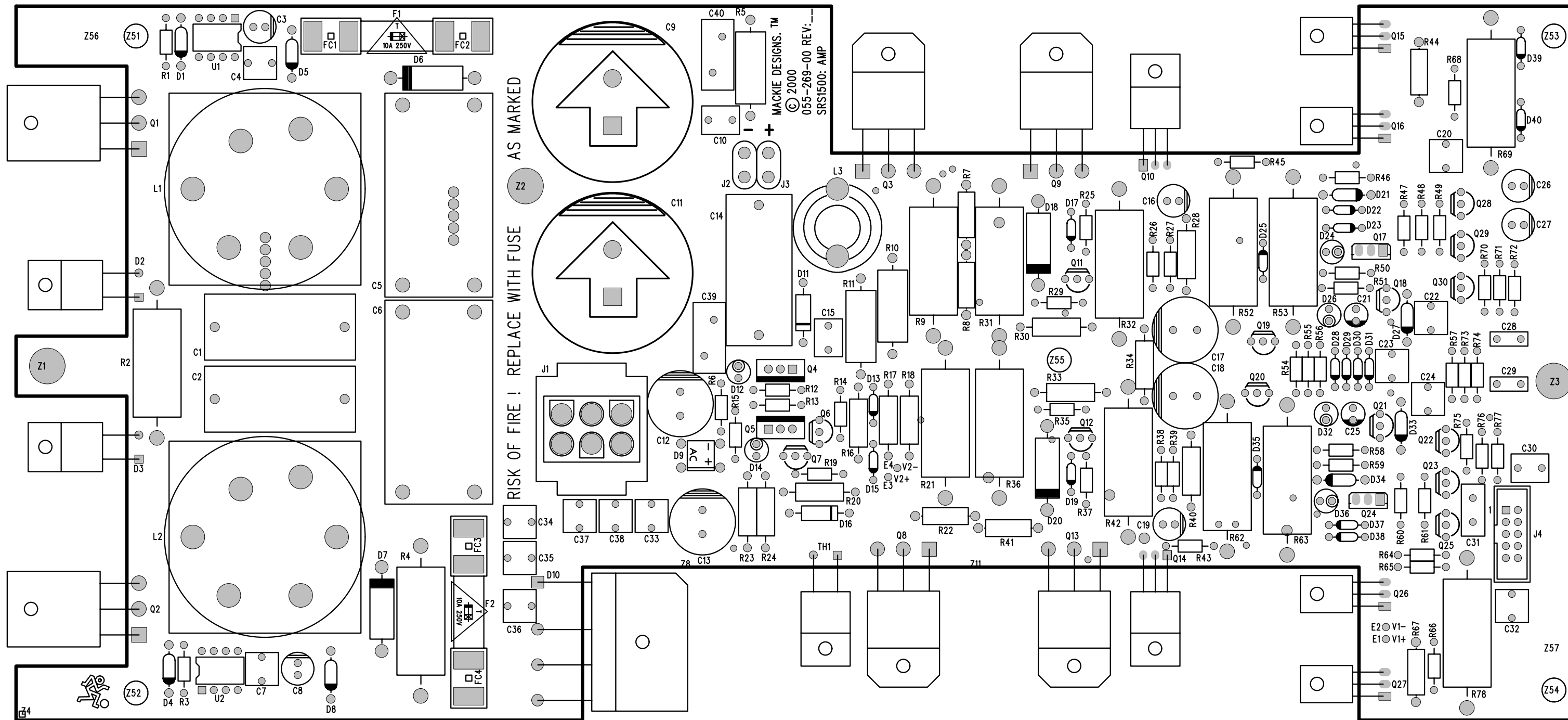
A

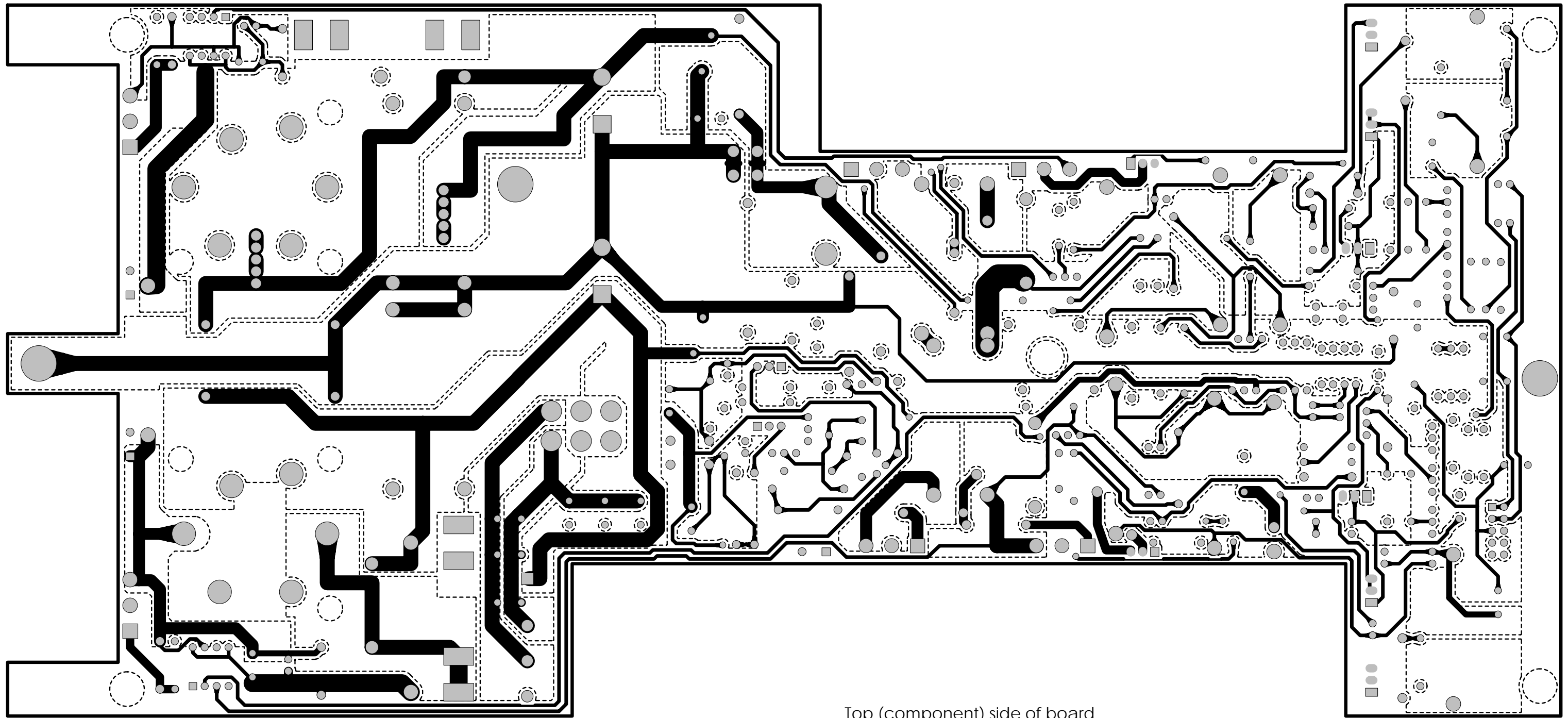


- Z4 450-269-00 PCB, SRS1500: AMP
- FC3 400-129-00 FUSE CLIP .25 DIA PC MNT
- FC4 400-129-00 FUSE CLIP .25 DIA PC MNT
- FC1 400-129-00 FUSE CLIP .25 DIA PC MNT
- FC2 400-129-00 FUSE CLIP .25 DIA PC MNT

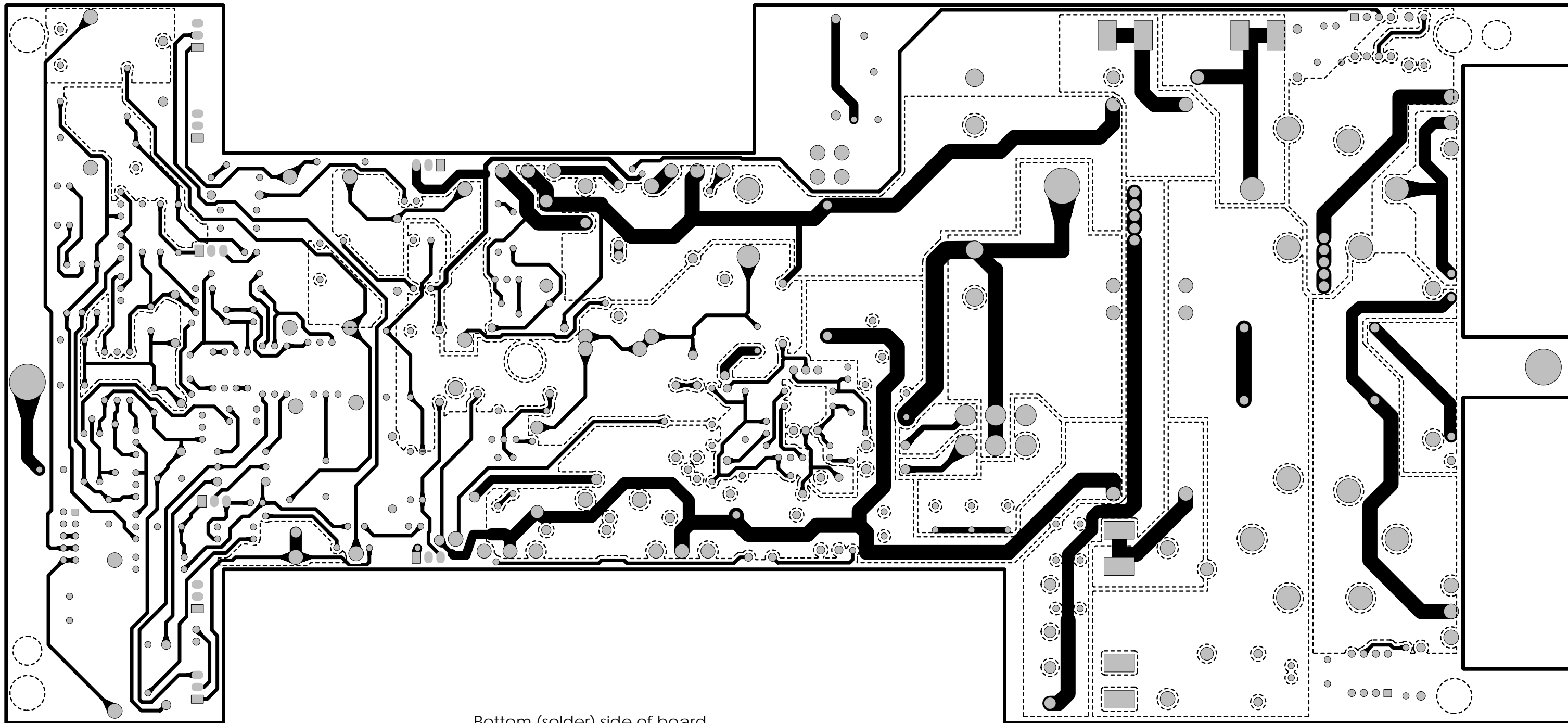
UNLESS OTHERWISE SPECIFIED DIMENSIONS ARE IN INCHES TOLERANCES ARE: FRACTIONS: DECIMALS: ANGLES: ±NA .XX ±.01 ±NA .XXX ±.005	APPROVALS	DATE
	DRAWN: STOLTZ	12-28-99
	CHECKED:	
	NP ENG:	
	MATERIAL:	
FINISH:	SEE NOTES	
DO NOT SCALE DRAWING	ISSUED:	

<b>MACKIE</b> Mackie Designs Inc. Woodinville, Wa.	
SCHEMATIC, SRS1500 AMP	
SIZE: D	SCALE: NONE
DWG. NO. 990-269-00	REV. A
DWG FILE:	SHEET 1 OF 1





Top (component) side of board



Bottom (solder) side of board

D

C

B

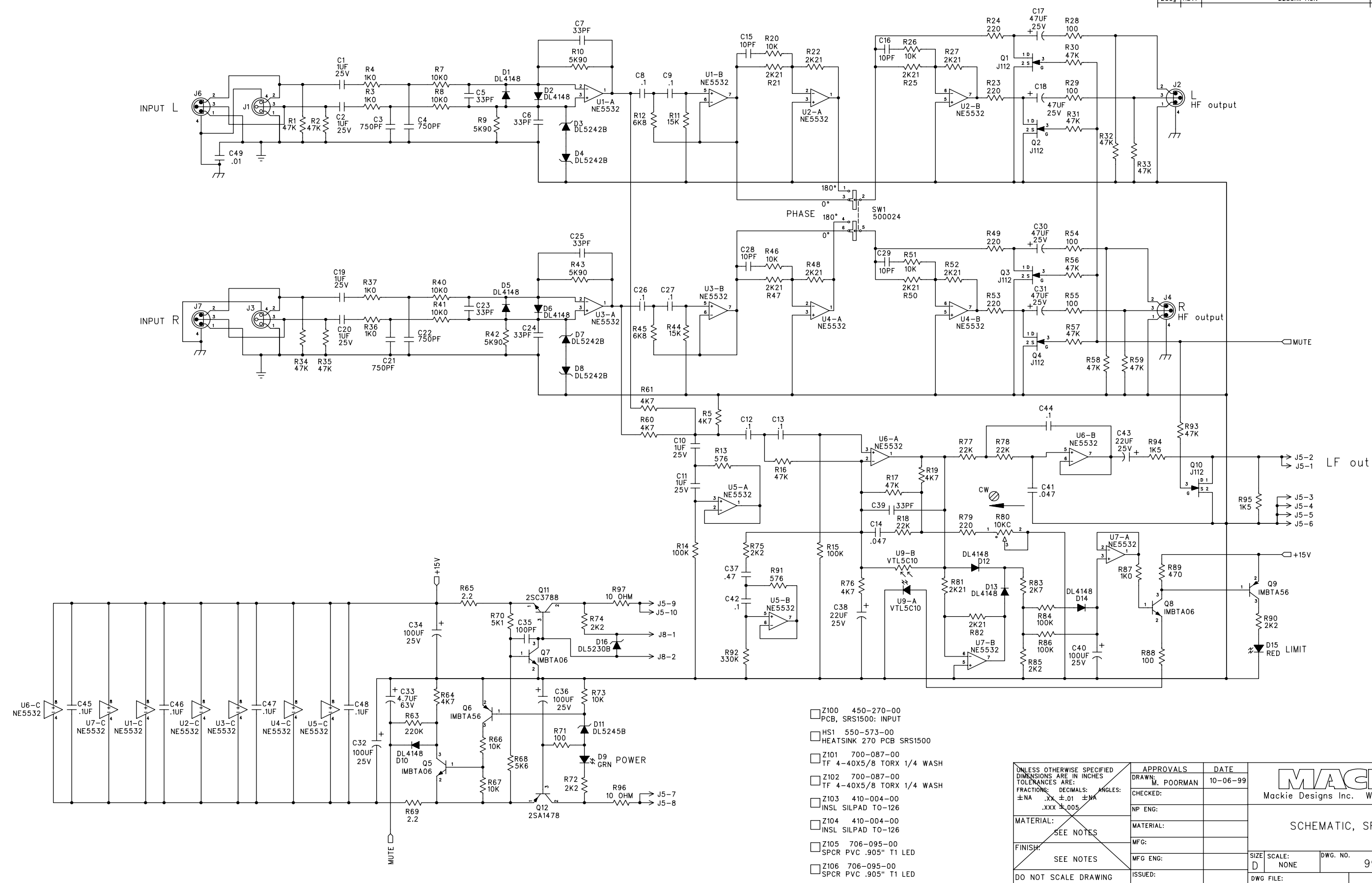
A

D

C

B

A



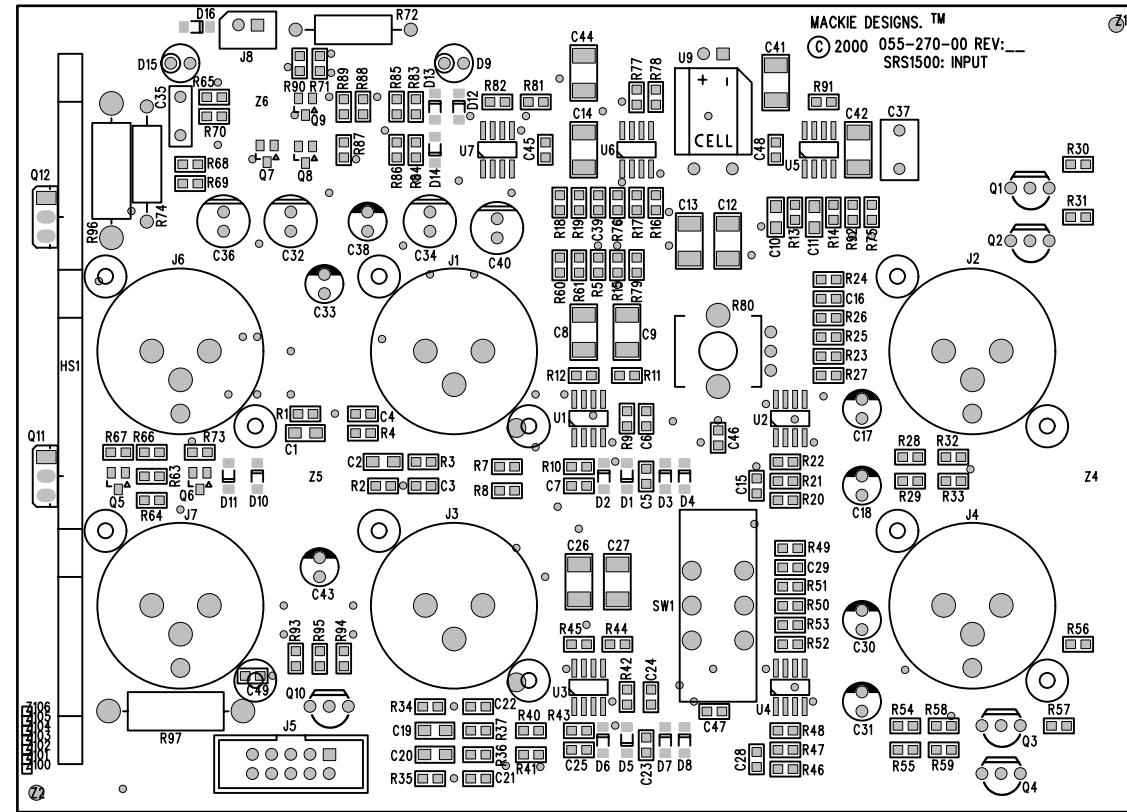
- Z100 450-270-00 PCB, SRS1500: INPUT
- HS1 550-573-00 HEATSINK 270 PCB SRS1500
- Z101 700-087-00 TF 4-40X5/8 TORX 1/4 WASH
- Z102 700-087-00 TF 4-40X5/8 TORX 1/4 WASH
- Z103 410-004-00 INSL SILPAD TO-126
- Z104 410-004-00 INSL SILPAD TO-126
- Z105 706-095-00 SPCR PVC .905" T1 LED
- Z106 706-095-00 SPCR PVC .905" T1 LED

UNLESS OTHERWISE SPECIFIED DIMENSIONS ARE IN INCHES TOLERANCES ARE: FRACTIONS: DECIMALS: ANGLES: ±NA .XX ±.01 ±MA .XXX ±.005	APPROVALS	DATE
	DRAWN: M. POORMAN	10-06-99
	CHECKED:	
	NP ENG:	
MATERIAL: SEE NOTES	MATERIAL:	
FINISH: SEE NOTES	MFG:	
DO NOT SCALE DRAWING	MFG ENG:	
	ISSUED:	

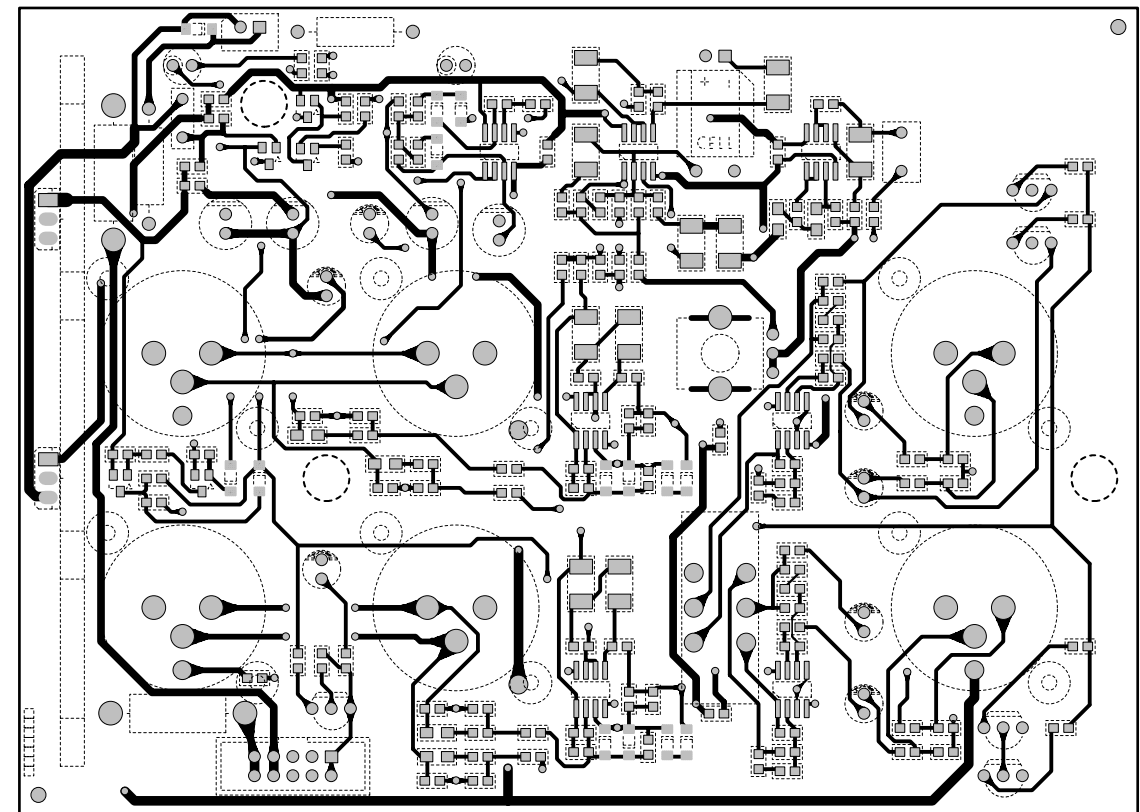
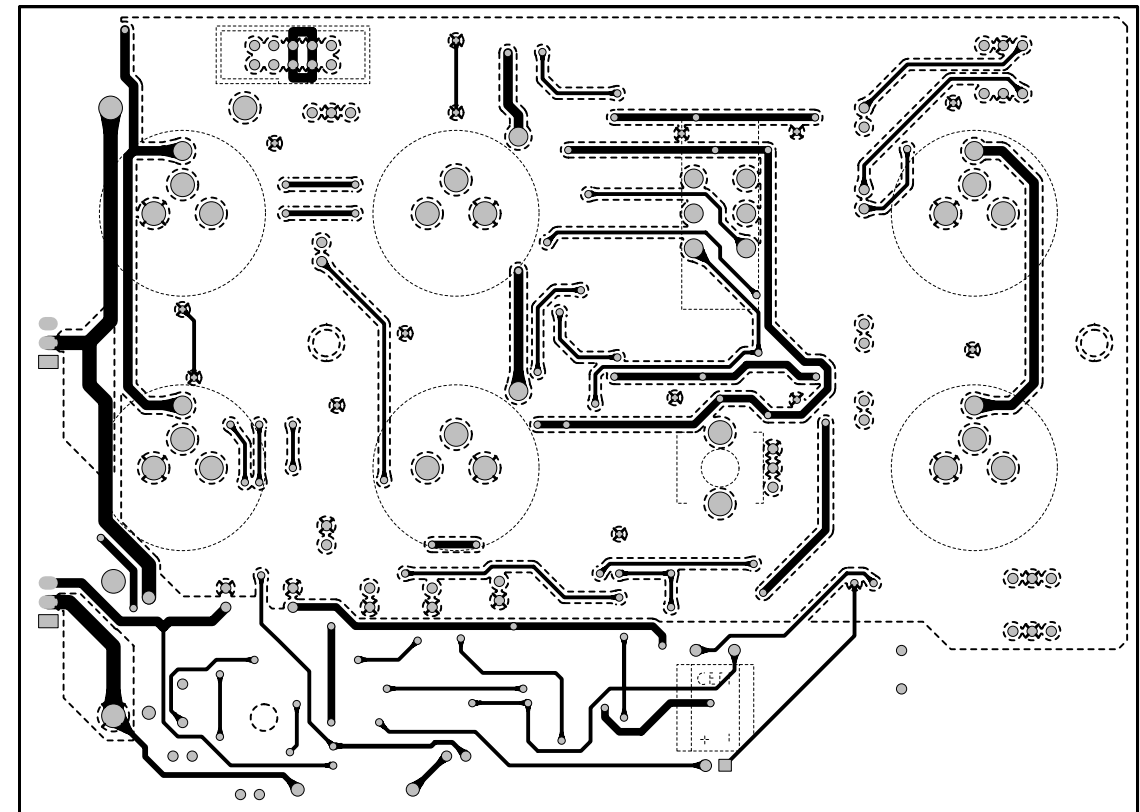
Mackie Designs Inc. Woodinville, Wa.

SCHMATIC, SRS1500: INPUT

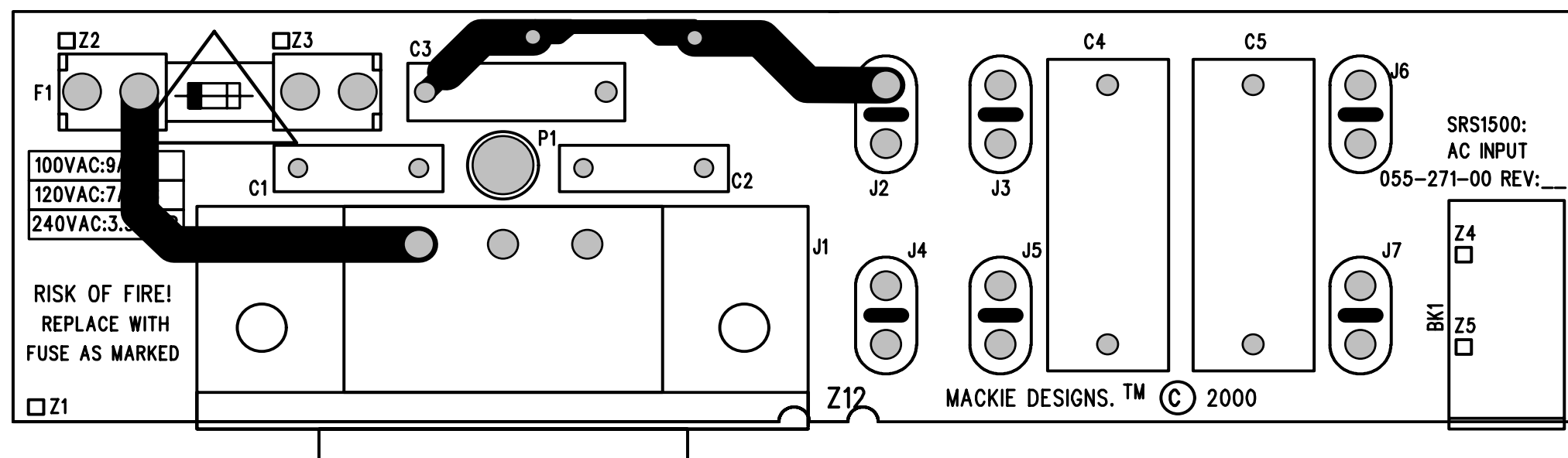
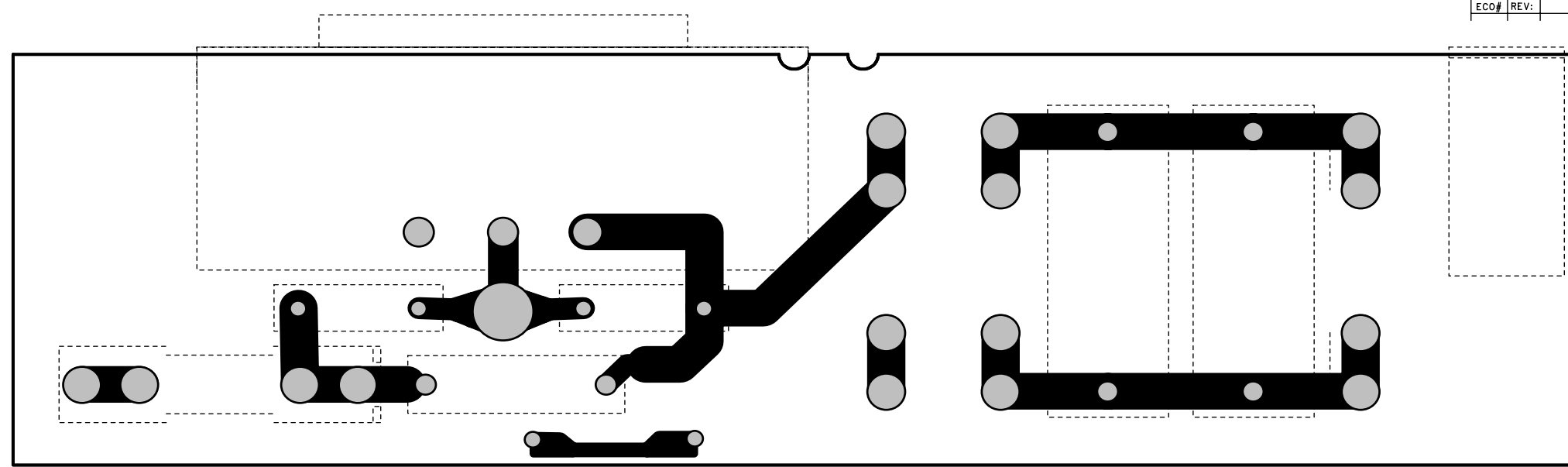
SIZE D	SCALE NONE	DWG. NO. 990-270-00	REV. A
DWG FILE:		SHEET 1 OF 1	



Bottom of board

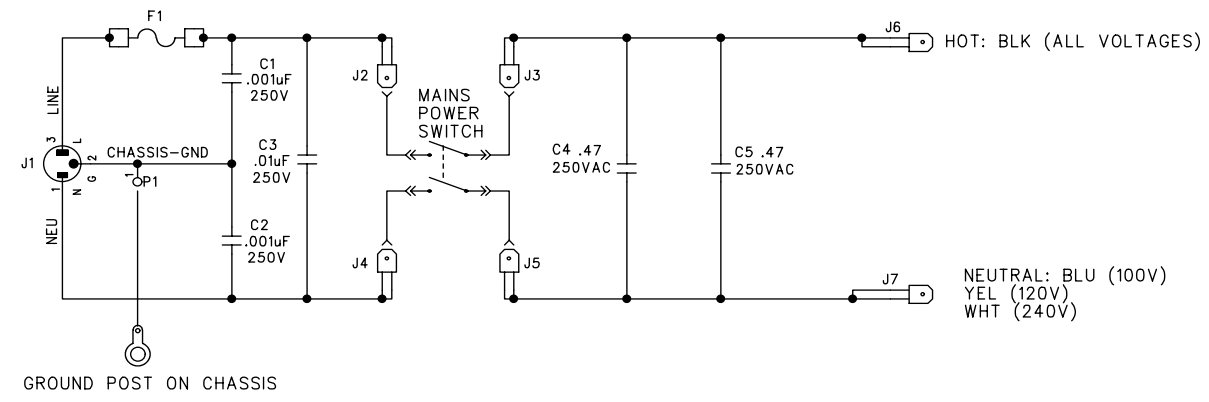


Top of board



FUSE VALUE CHART

MAINS	F1
100VAC	9A SB
120VAC	7A SB
240VAC	3.5A SB



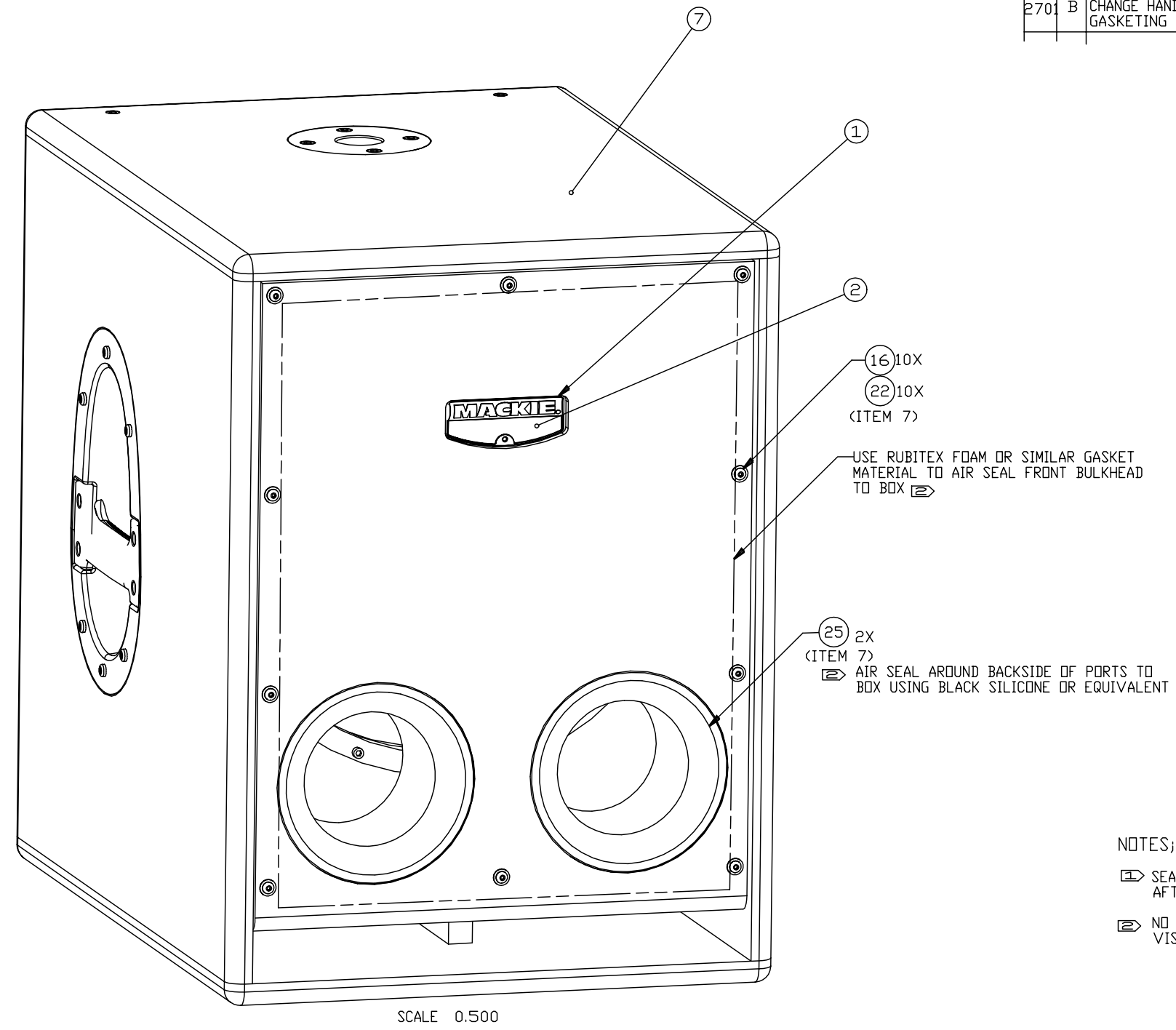
APPROVALS		DATE
DRAWN:	KR	6-10-99
CHECKED:		
NP ENG:		
MATERIAL:		
MFG:		
MFG ENG:		
ISSUED:		

<b>MACKIE</b> Mackie Designs Inc. Woodinville, Wa.					
SCHEMATIC, SRS1500: AC INPUT					
SIZE	SCALE: NONE	DWG. NO.	990-271-00	REV.	A
D					
DWG FILE:			SHEET 1 OF 1		

CABLE CONNECTIONS (NOT SHOWN)				
ITEM	FROM	REF DES	TO	REF DES
—	055-269-00 (ON 080-101-00 SUBASSY)	J2 BLK J3 RED	SPEAKER SPEAKER	BLK RED
—	055-270-00 (ON 080-101-00 SUBASSY)	J8	055-313-00	CONN

DWG. NO.	090-104-00	SHT	1	REV	B	1
REVISIONS						
ECD#	REV.	DESCRIPTION	REV. BY	APP. BY	DATE	
	A	PRODUCTION RELEASE				
2701	B	CHANGE HANDLE SCREW AND ADD GASKETING NOTES.				



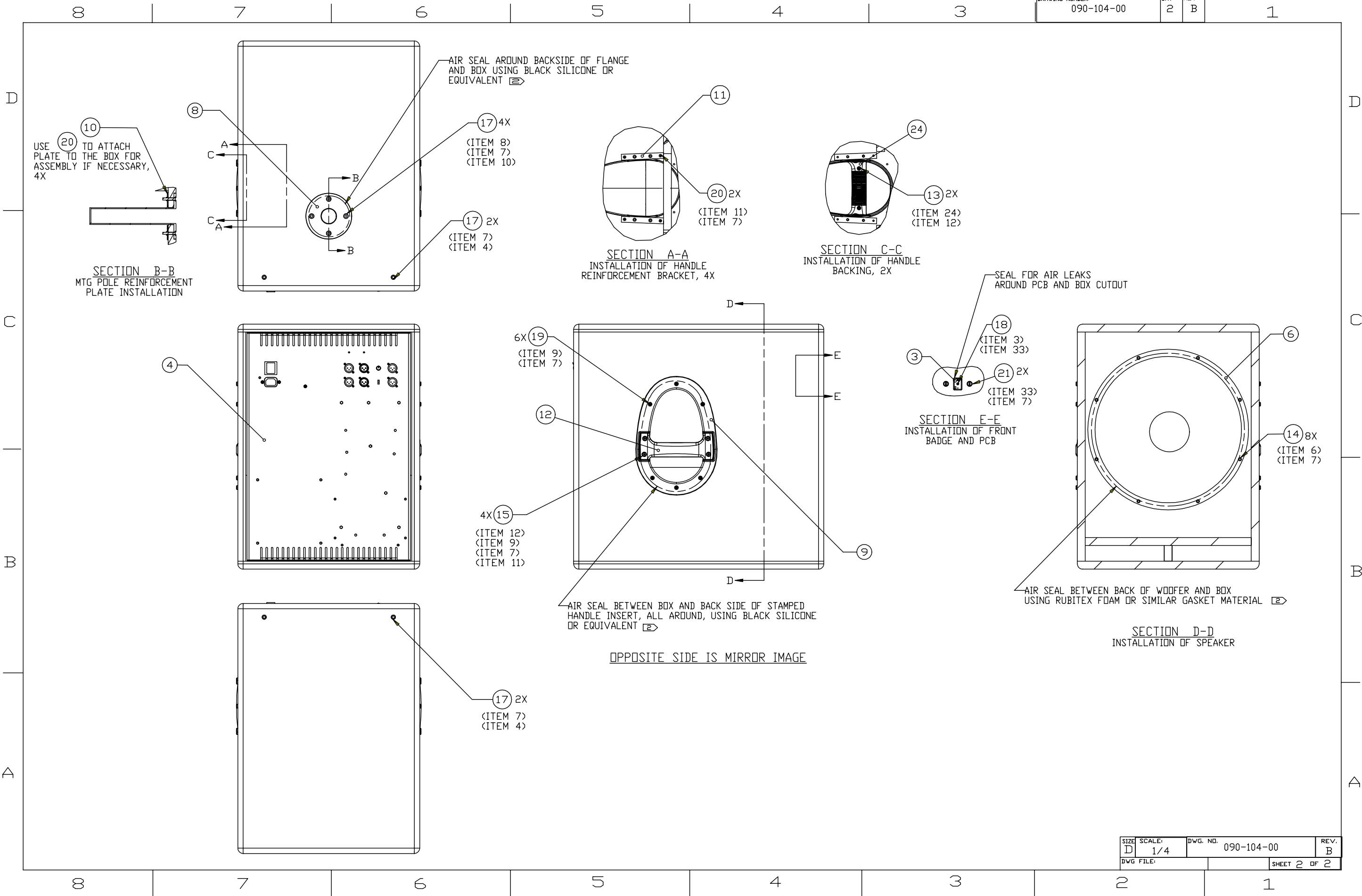
NOTES; UNLESS OTHERWISE SPECIFIED

- SEAL HOLES IN BULKHEADS FOR AIR LEAKS AFTER ROUTING WIRES.
- NO SILICONE OR GASKETING MATERIAL TO BE VISIBLE FROM EXTERIOR OF FINISHED CABINET.

SCALE 0.500

DIMENSION AND TOLERANCES ARE IN ACCORDANCE WITH ASME Y14.5-1994  THE INFORMATION CONTAINED HEREIN IS PROPRIETARY AND CONFIDENTIAL PROPERTY OF MACKIE DESIGNS INC.  DO NOT SCALE DRAWING	UNLESS OTHERWISE SPECIFIED DIMENSIONS ARE IN INCHES ALL ANGLES ARE 90° TOLERANCES ARE: FRACTIONS: .XX± ANGLES: ±.XXX±	APPROVALS	DATE	<b>MACKIE™</b> Mackie Designs Inc. Woodinville, Wa  <b>FINAL ASSY, SRS1500</b>
	MATERIAL:	DRAWN: JH	12.13.99	
	FINISH:	CHECKED:		
		NP ENGINEERING: JEFF H. 3.7.00		
		MATERIAL: MIKE B. 3.9.00		
		MANUFACTURING:		
		MFG ENGINEERING: MIKE G. 3.8.00		SIZE: D SCALE: 1/4 DWG. NO. 090-104-00 REV. B
		ISSUED: PATTI C. 3.9.00		DWG FILE 090-104-00 SHEET 1 OF 2





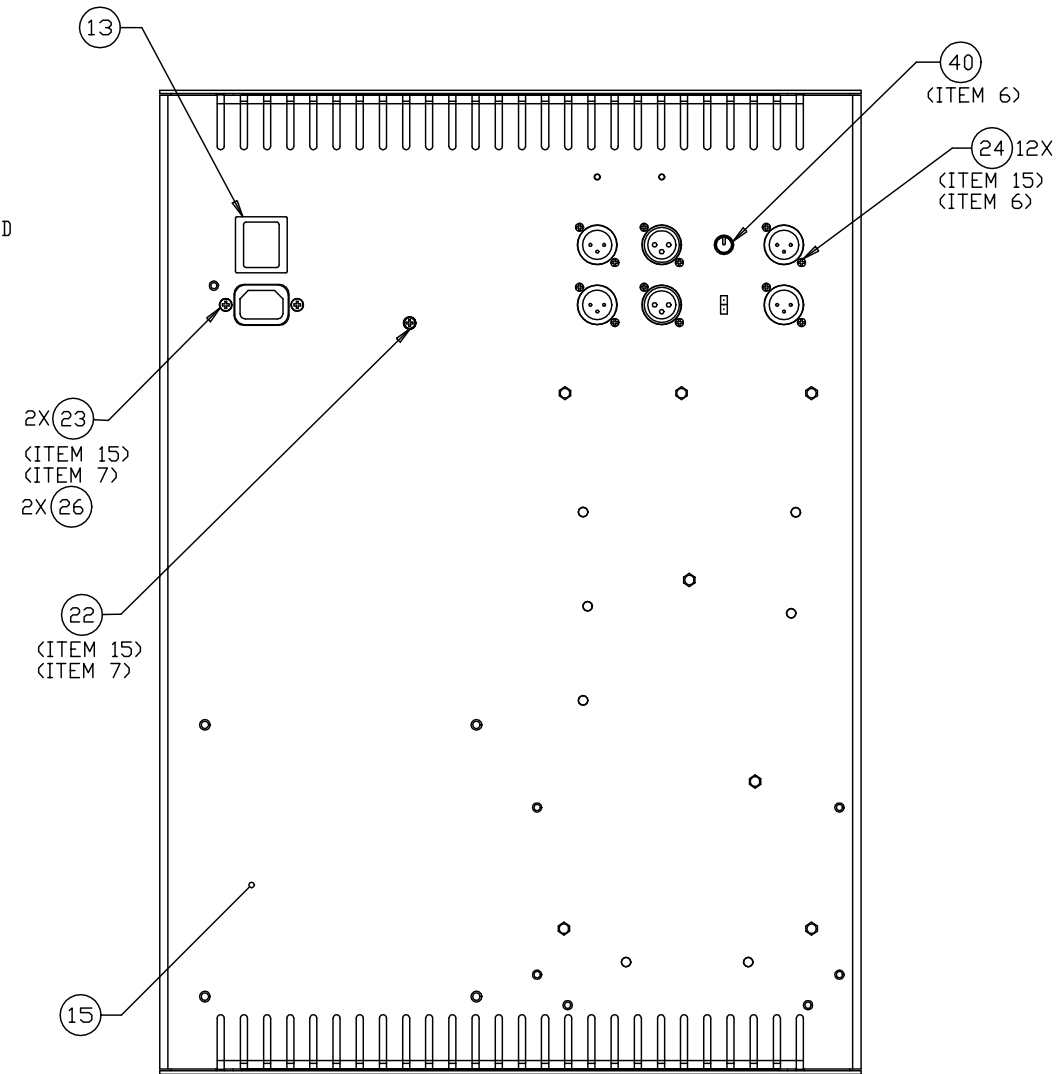
SIZE: D	SCALE: 1/4	DWG. NO.: 090-104-00	REV.: B
DWG FILE:		SHEET 2 OF 2	

DWG. NO.	080-101-00	SHT	1	REV.	A	1
REVISIONS						
ECD#	REV.	DESCRIPTION	REV. BY	APP. BY	DATE	
	A	PRODUCTION RELEASE				

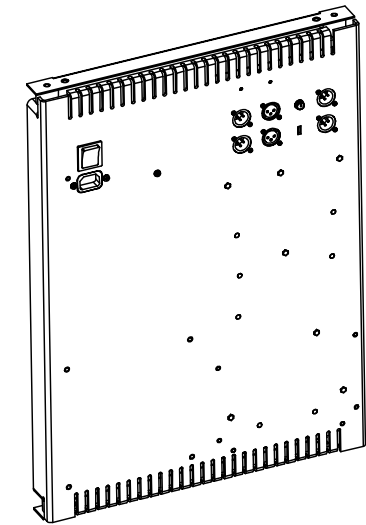
CABLE CONNECTIONS (NOT SHOWN)					
ITEM	FROM	REF DES	TO	REF DES	
①	055-271-00	J2	PWR SWITCH	WHT	
②	055-271-00	J4	PWR SWITCH	BLK	
①	055-271-00	J3	PWR SWITCH	WHT	
②	055-271-00	J5	PWR SWITCH	BLK	
—	055-271-00	P1	CHASSIS	GND	
③	055-270-00	J8	(FINAL ASSY-LEDS)		
④	055-269-00	J4	055-270-00	J5	
—	080-155-00	8pin	055-269-00	J1	
—	080-155-00	WHT	055-271-00	J6	
—	080-155-00	BLK	055-271-00	J7	
④7	055-269-00	J2 - BLK J3 + RED	(FINAL ASSY-SPKR)		

SAME COLOR WIRES ARE INTERCHANGEABLE.  
SEE SH2 FOR COLOR TERMINATION LUGS  
ON SWITCH

SECURE FERRITE BEAD  
PER MFG INSTR.



SCALE 0.500



SCALE 0.250

NOTES, UNLESS OTHERWISE SPECIFIED

- ① COAT BOTH SIDES OF INSULATOR USING ④3 .
- ② COAT BOTTOM SIDE OF HEATSINK USING ④3 .
- ③ USE ③8 TO SECURE WIRING PER MANUFACTURING INSTRUCTIONS.
- ④ USE ④5 TO LOCK ITEM 4 INTO PCB CONNECTOR.
- ⑤ USE ④6 TO LOCK NUT TO THREADS.

DIMENSION AND TOLERANCES ARE  
IN ACCORDANCE WITH ASME Y14.5-1994

THE INFORMATION CONTAINED HEREIN IS  
PROPRIETARY AND CONFIDENTIAL PROPERTY  
OF MACKIE DESIGNS INC.

DO NOT SCALE DRAWING

UNLESS OTHERWISE SPECIFIED  
DIMENSIONS ARE IN INCHES  
ALL ANGLES ARE 90°  
TOLERANCES ARE:  
FRACTIONS: DECIMALS: ANGLES:  
± / .XXX± ±

MATERIAL:

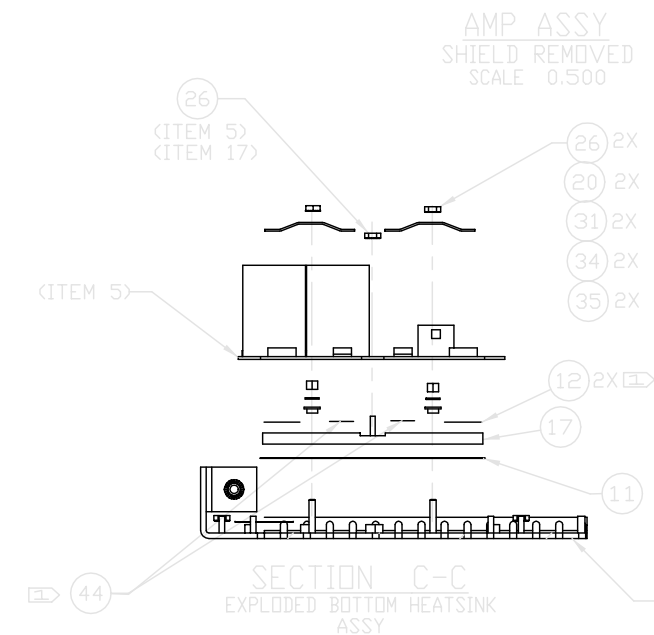
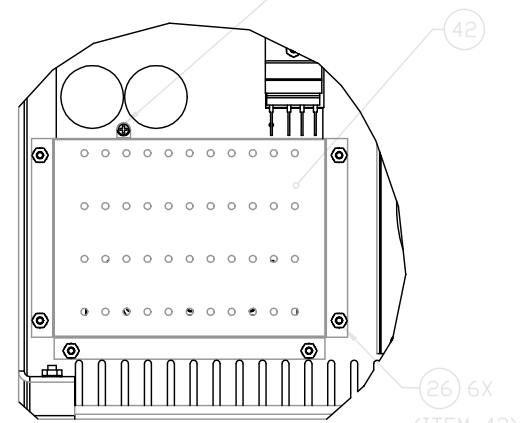
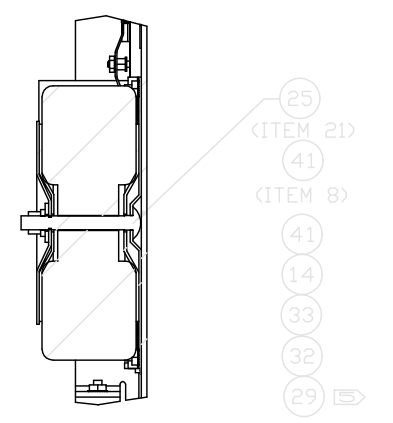
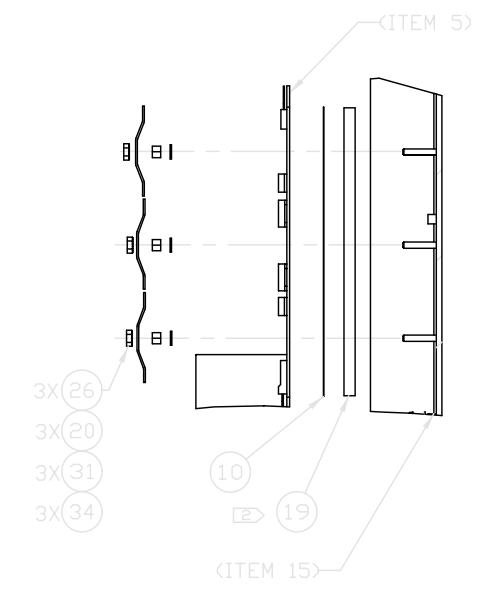
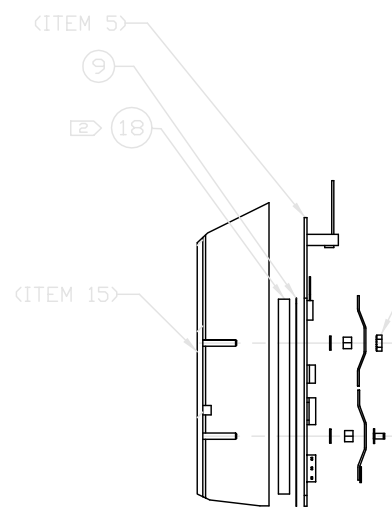
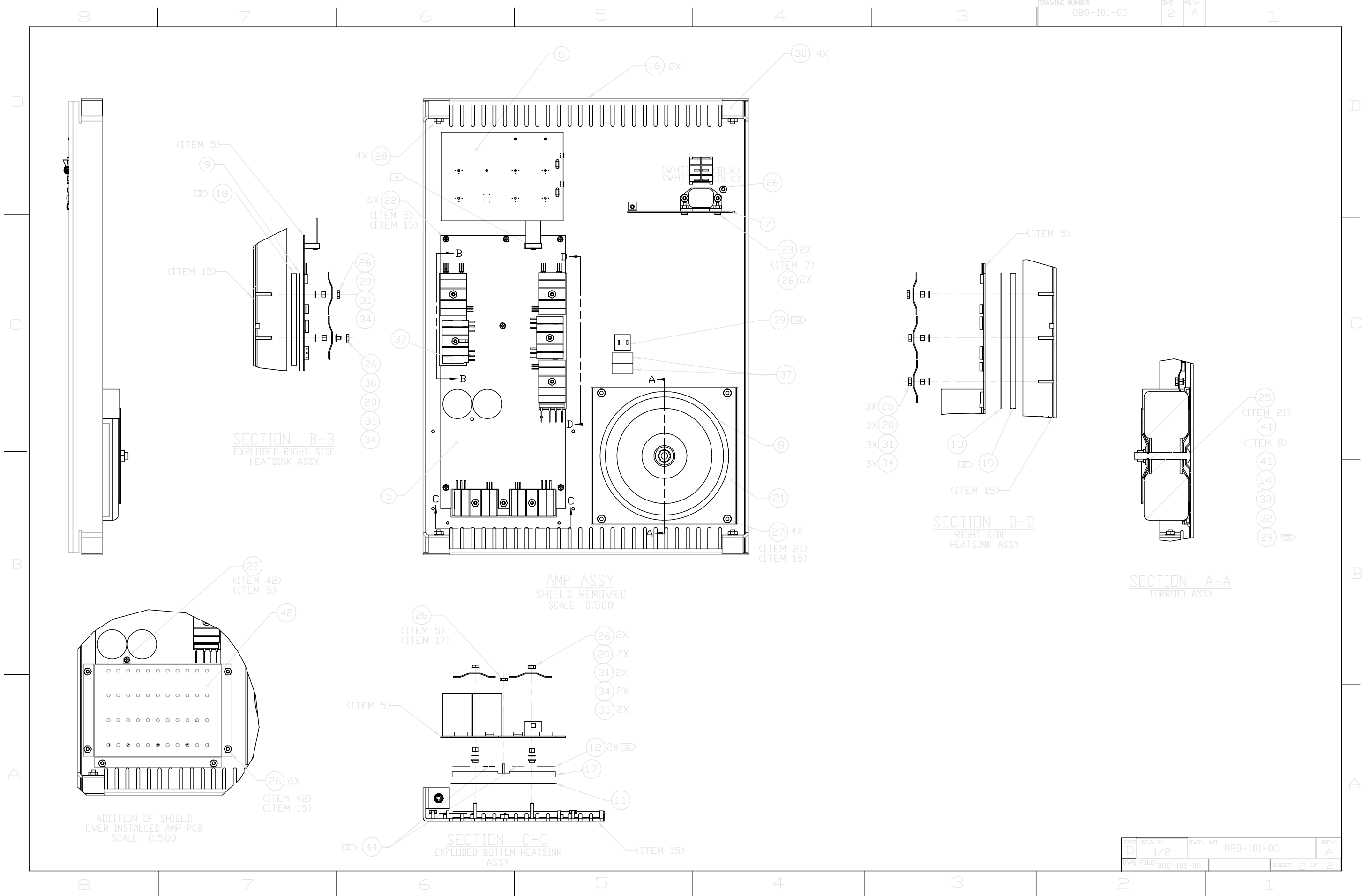
FINISH:

APPROVALS	DATE
DRAWN: JH	3.7.00
CHECKED:	
NP ENGINEERING:	
MATERIAL:	
MANUFACTURING:	
MFG ENGINEERING:	
ISSUED:	

**MACKIE™**  
Mackie Designs Inc. Woodinville, Wa

SUBASSEMBLY, AMPLIFIER,  
SRS1500

SIZE	SCALE	DWG. NO.	REV.
D	1/2	080-101-00	A
DWG FILE: 080-101-00		SHEET 1 OF 2	



SIZE	SCALE	DWG. NO.	REV.
D	1/2	080-101-00	A
DWG FILE:	SHEET		OF
080-101-00	2		2