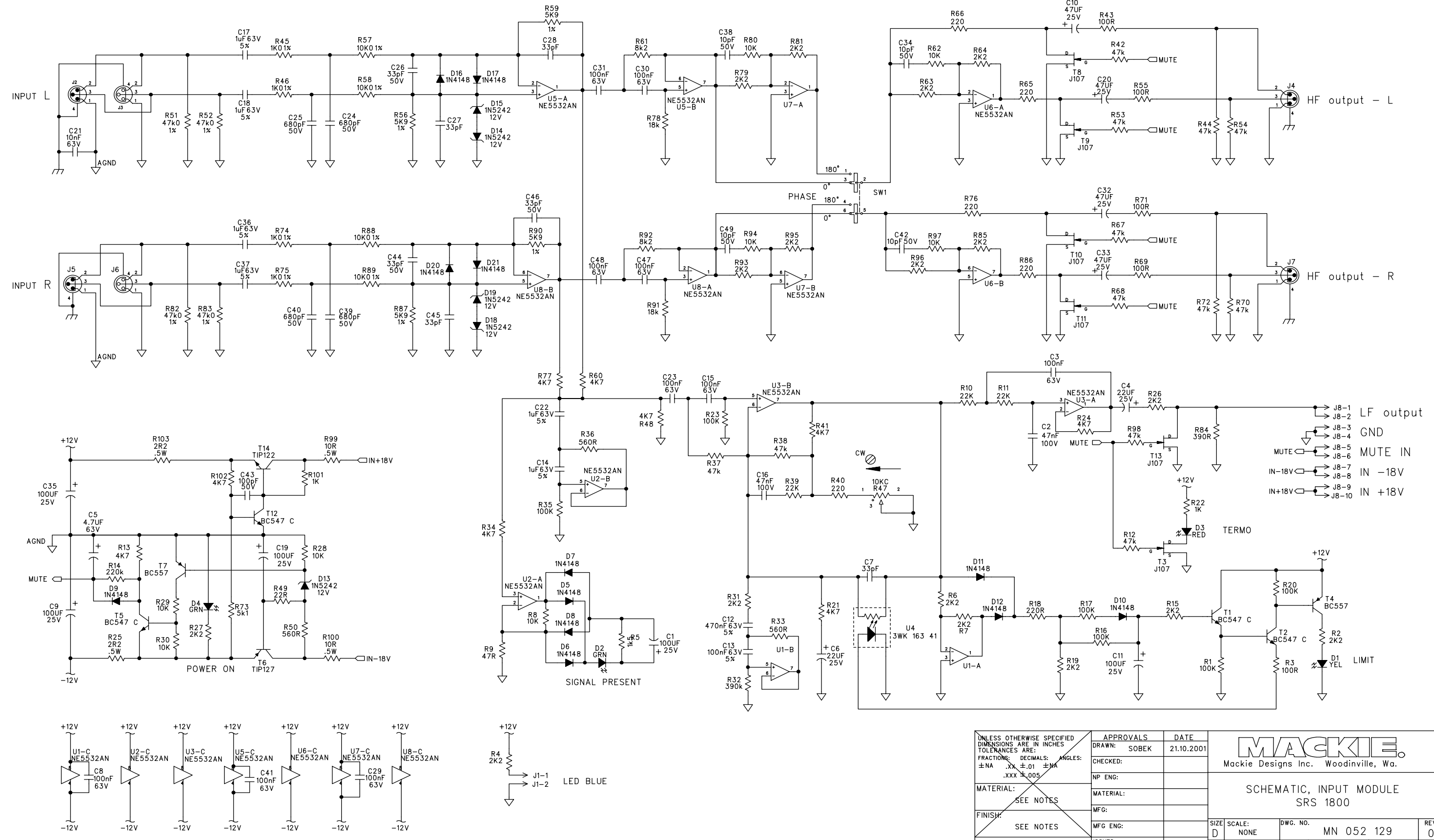


D

C

B

A



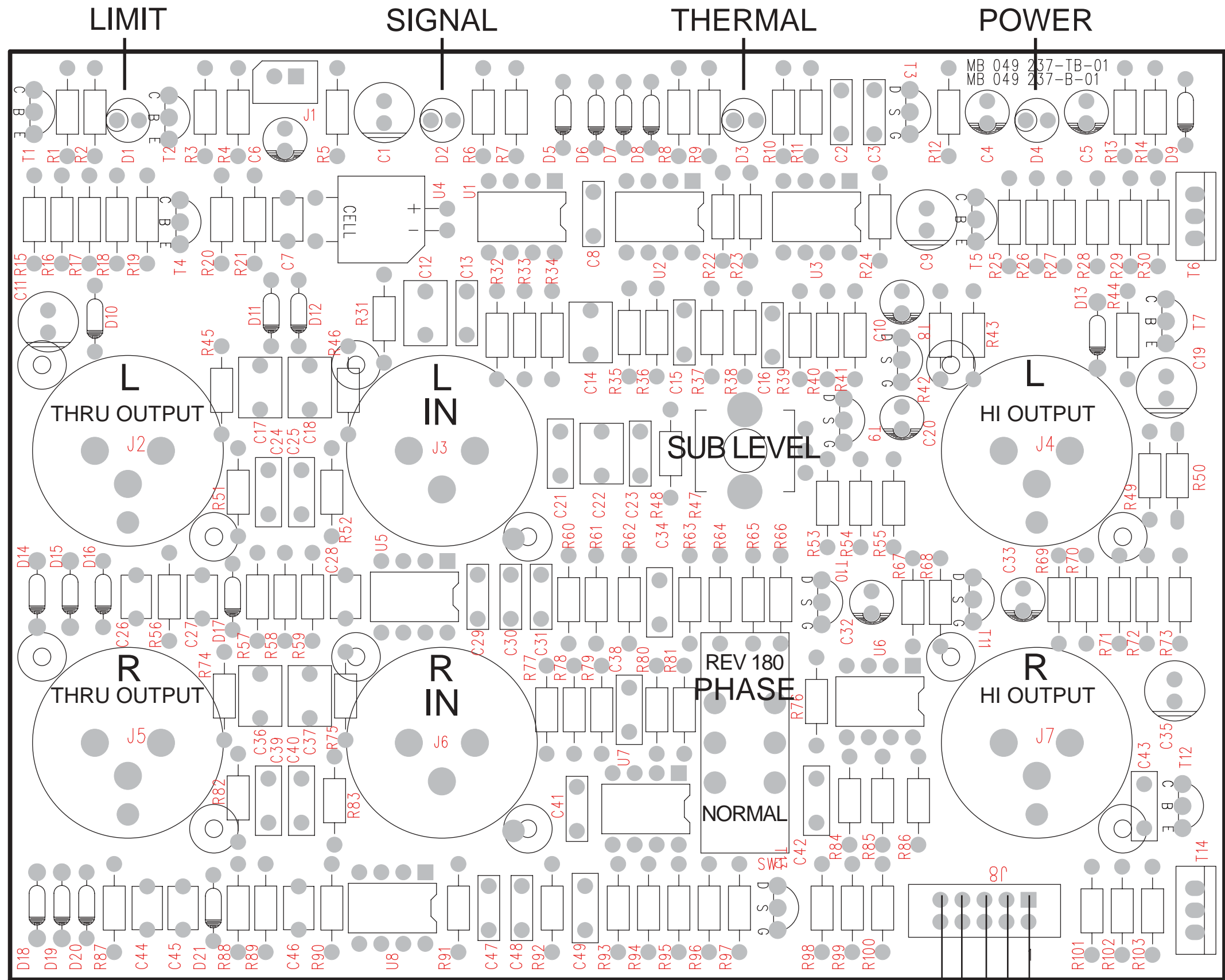
UNLESS OTHERWISE SPECIFIED DIMENSIONS ARE IN INCHES TOLERANCES ARE: FRACTIONS: DECIMALS: ANGLES: ±NA .XX ±.01 ±NA .XXX ±.005	APPROVALS DRAWN: SOBEK CHECKED: NP ENG: MATERIAL: MFG: MFG ENG: ISSUED:	DATE 21.10.2001
---	--	--------------------

MACKIE
Mackie Designs Inc. Woodinville, Wa.

SCHMATIC, INPUT MODULE
SRS 1800

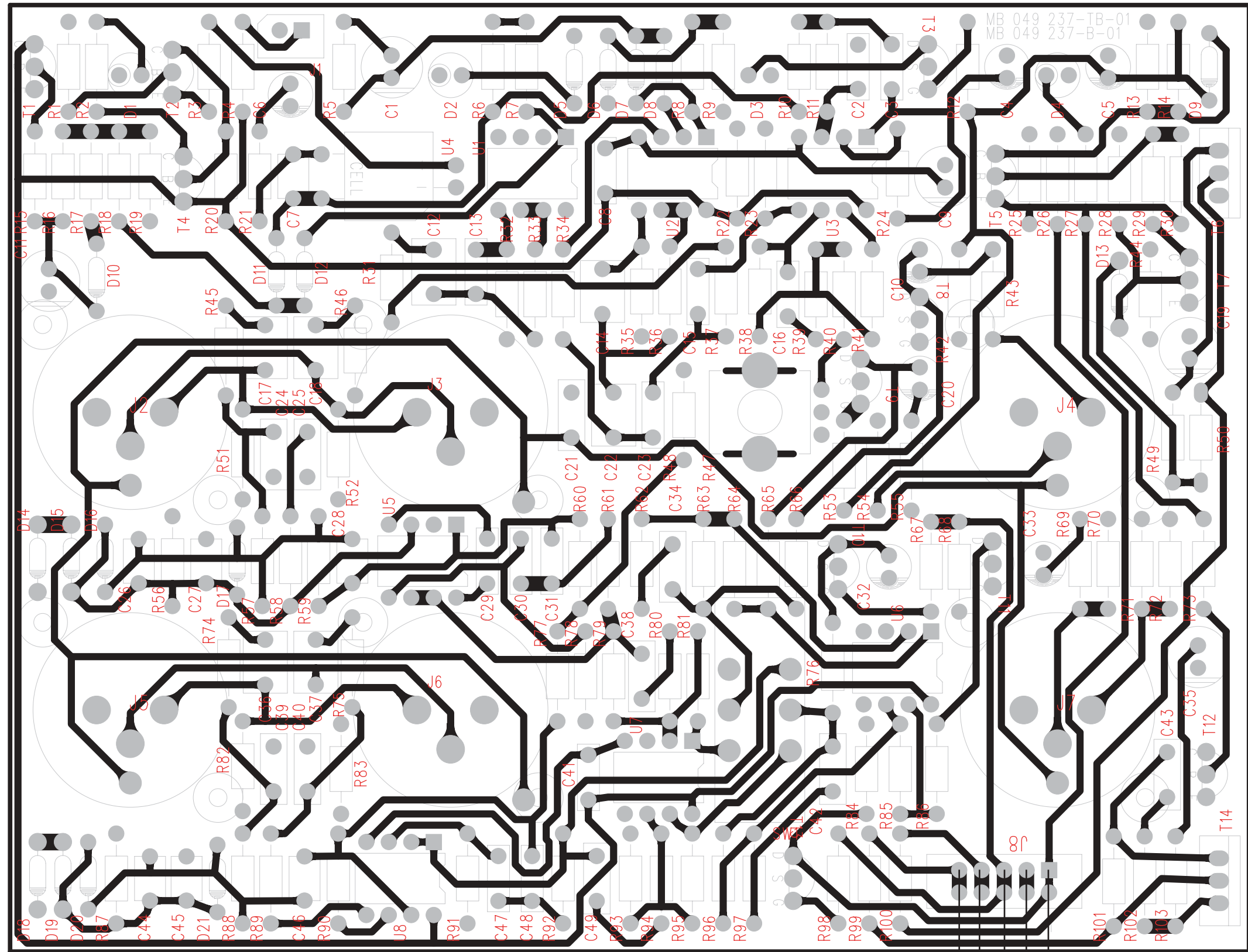
SIZE D	SCALE NONE	DWG. NO. MN 052 129	REV. 01
-----------	---------------	------------------------	------------

DWG FILE: MN 052 129-01 label 03.sch SHEET 1 OF 1

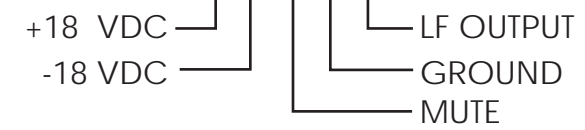


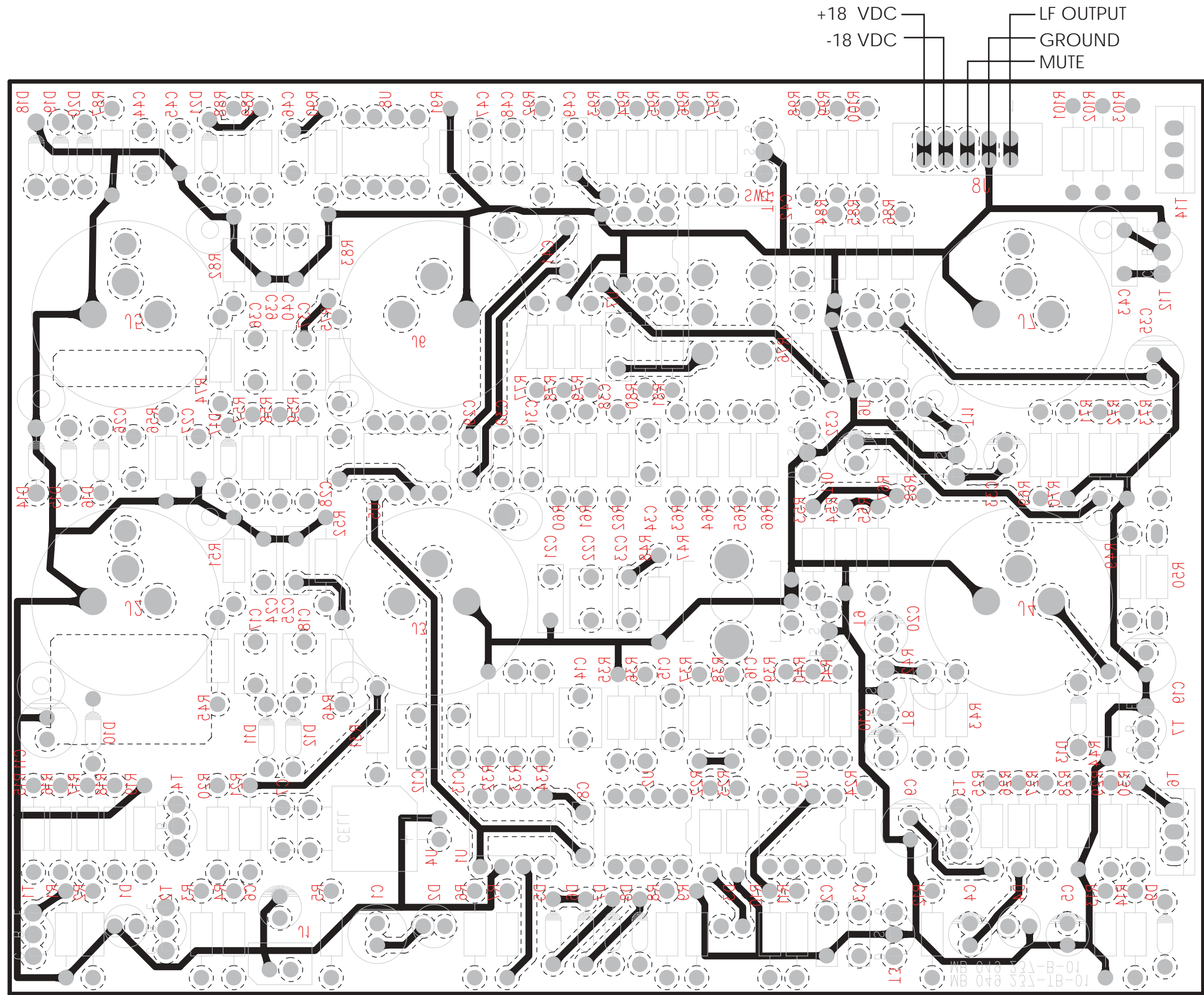
Top View

+18 VDC
 -18 VDC
 LF OUTPUT
 GROUND
 MUTE



Top View (Dotted line is copper pour layer)





Bottom View (Dotted line is copper pour layer)