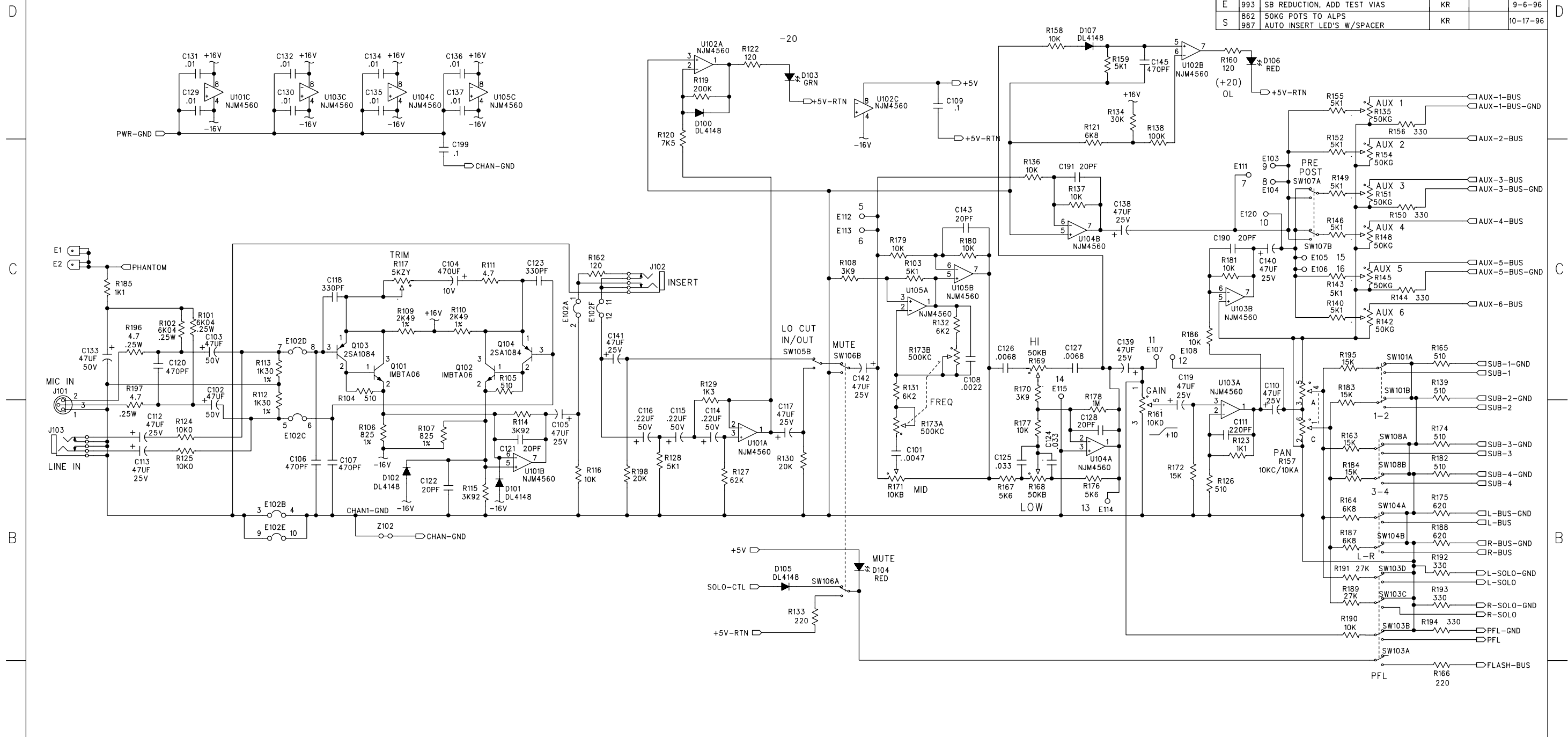
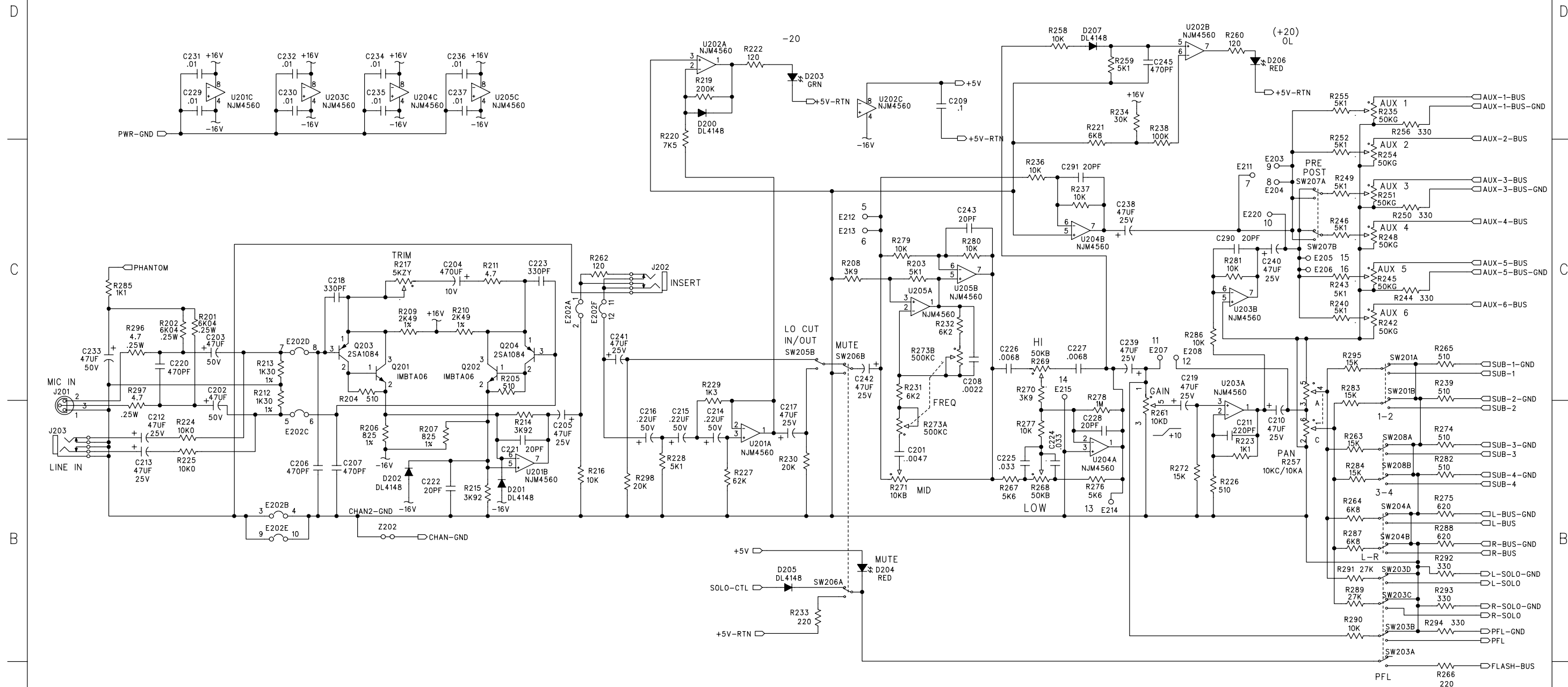


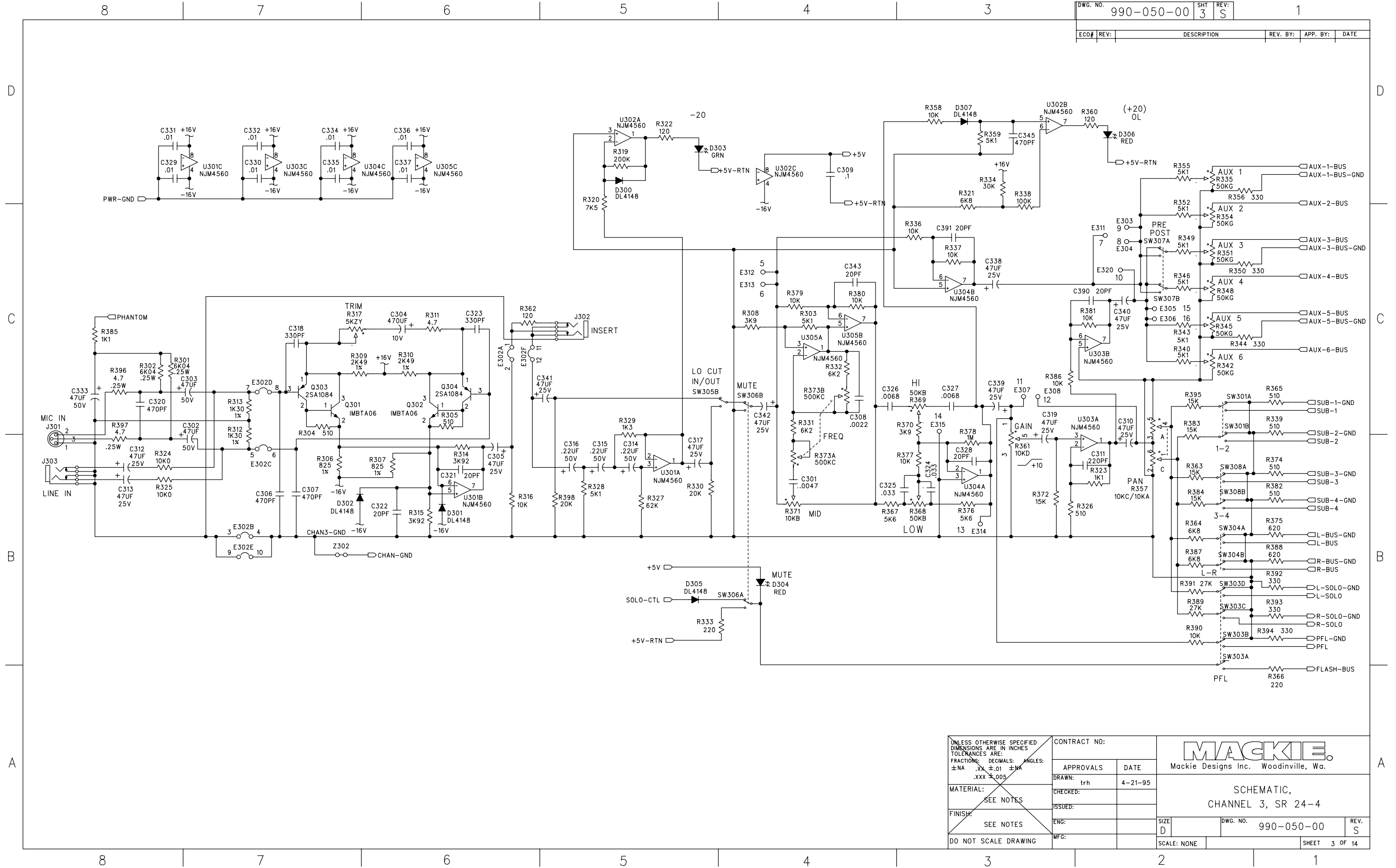
REV:	ECO#	DESCRIPTION	REV. BY:	APP. BY:	DATE
C		INCORPORATED ECO'S 367,590,602,619, 621,624,625,627,630.	KR	CR	6-8-95
D		INCORPORATED ECO'S 640,657,676,688, 716,738,764,769,834,858,959.	KR	ES	5-24-96
E	993	SB REDUCTION, ADD TEST VIAS	KR		9-6-96
S	862	50KG POTS TO ALPS	KR		10-17-96
	987	AUTO INSERT LED'S W/SPACER	KR		



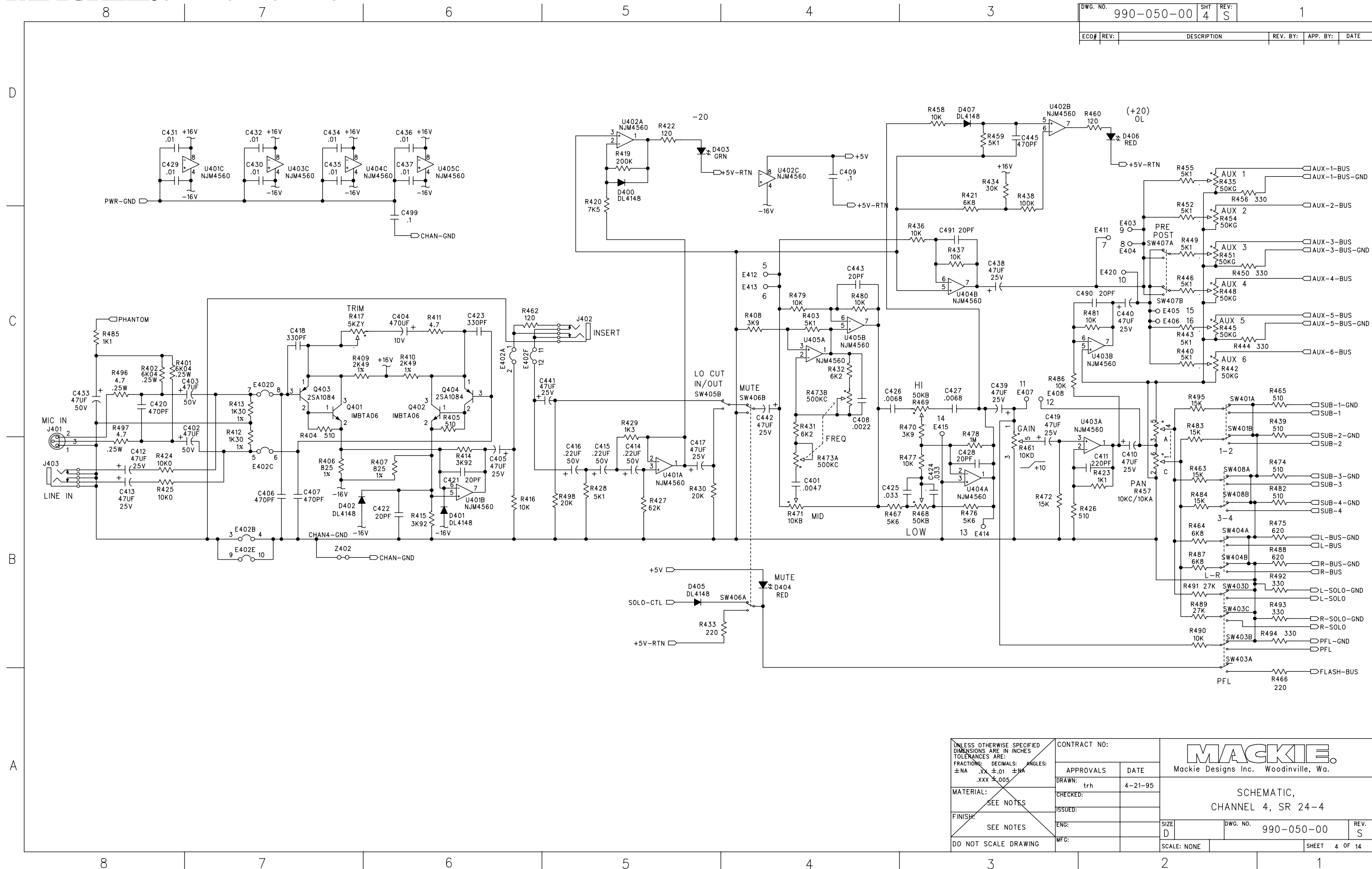
UNLESS OTHERWISE SPECIFIED DIMENSIONS ARE IN INCHES TOLERANCES ARE: FRACTIONS: DECIMALS: ANGLES: ±NA .XX ±.01 ±NA .XXX ±.005	CONTRACT NO:		MACKIE Mackie Designs Inc. Woodinville, Wa.		
	APPROVALS	DATE			
	MATERIAL: SEE NOTES	DRAWN: trh	4-21-95	SCHEMATIC, CHANNEL 1, SR 24-4	
	FINISH: SEE NOTES	CHECKED: Chuck	6-2-95		
DO NOT SCALE DRAWING	ISSUED: MS	6-2-95	SIZE: D	DWG. NO. 990-050-00	
	ENG: JGG	6-2-95	SCALE: NONE	REV. S	
	MFG: Angie	6-2-95		SHEET 1 OF 14	



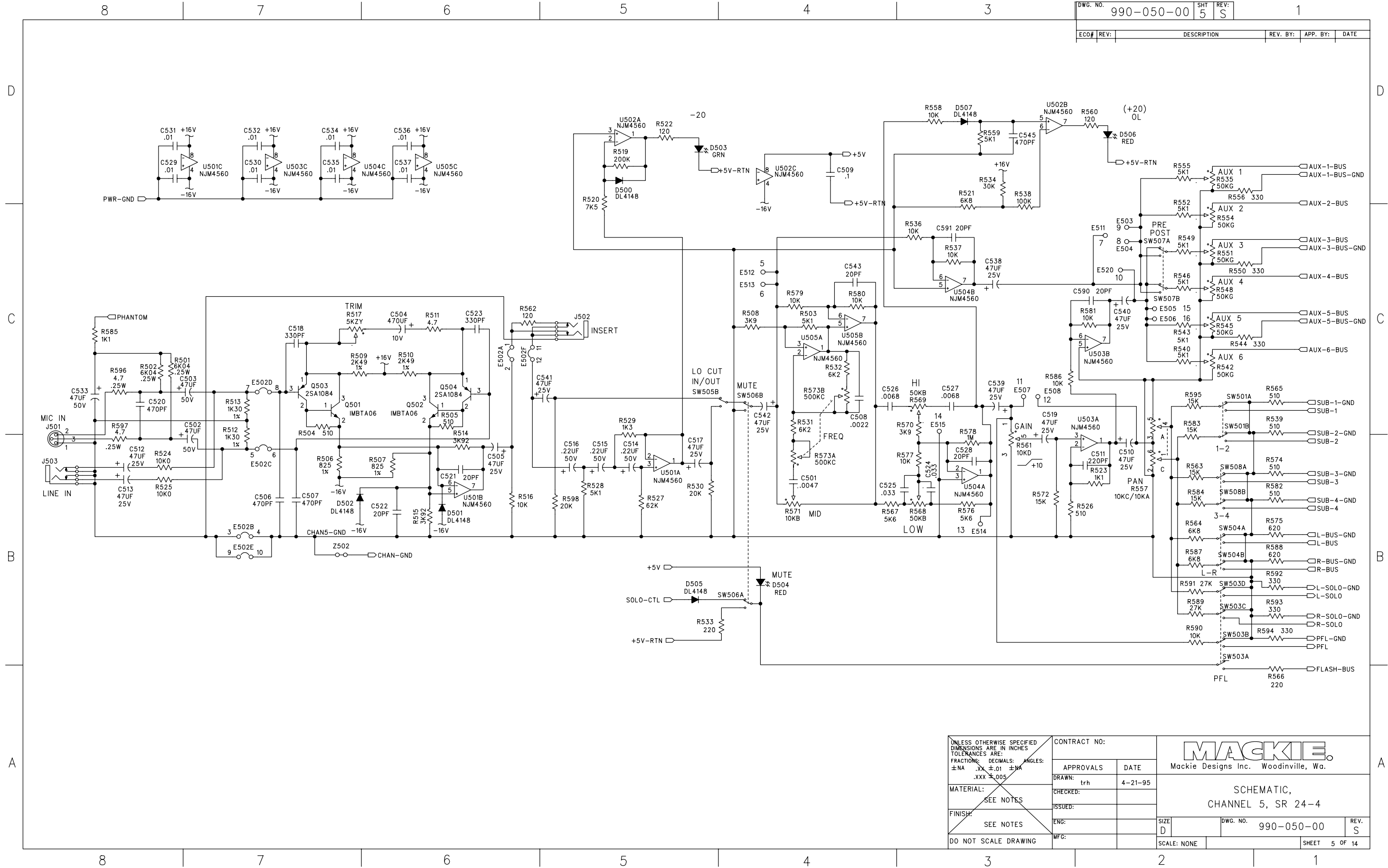
UNLESS OTHERWISE SPECIFIED DIMENSIONS ARE IN INCHES TOLERANCES ARE: FRACTIONS: DECIMALS: ANGLES: ±NA .XX ±.01 ±MA .XXX ±.005	CONTRACT NO:		MACKIE. Mackie Designs Inc. Woodinville, Wa.	
	APPROVALS:			
	DRAWN: trh		4-21-95	
	CHECKED:		ISSUED:	
MATERIAL: SEE NOTES		ENG:		SCHEMATIC, CHANNEL 2, SR 24-4
FINISH: SEE NOTES		MFC:		
DO NOT SCALE DRAWING		SCALE: NONE		DWG. NO. 990-050-00 REV. S SHEET 2 OF 14



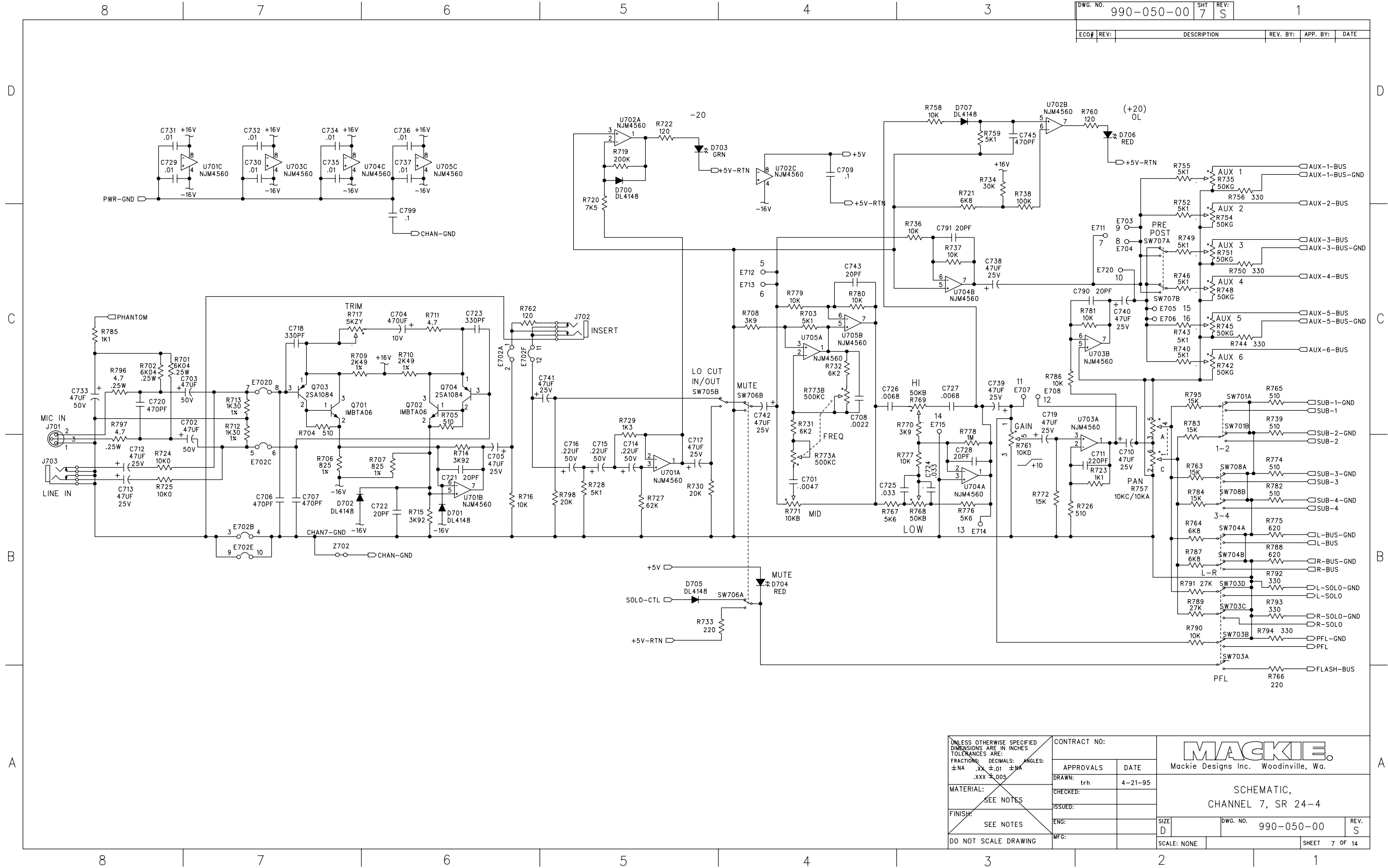
UNLESS OTHERWISE SPECIFIED DIMENSIONS ARE IN INCHES TOLERANCES ARE: FRACTIONS: DECIMALS: ANGLES: ±.NA .XX ±.01 ±.NA .XXX ±.005	CONTRACT NO:		MACKIE Mackie Designs Inc. Woodinville, Wa.		
	APPROVALS	DATE			
	MATERIAL:	DRAWN: trh	4-21-95	SCHEMATIC, CHANNEL 3, SR 24-4	
	SEE NOTES	CHECKED:	ISSUED:		
FINISH:	ENG:		SIZE	DWG. NO. 990-050-00	REV. S
DO NOT SCALE DRAWING	MFG:		SCALE: NONE	SHEET 3 OF 14	



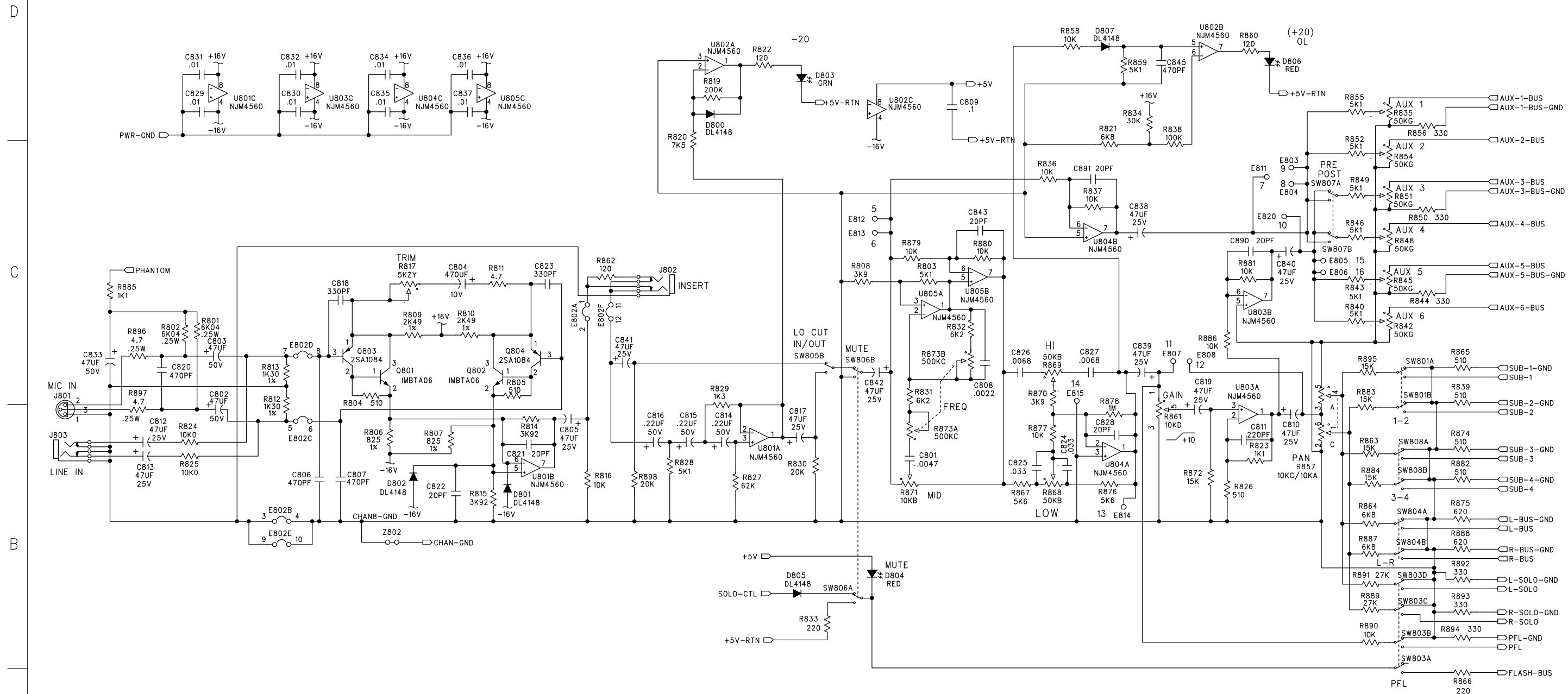
UNLESS OTHERWISE SPECIFIED DIMENSIONS ARE IN INCHES TOLERANCES ARE: FRACTIONS: DECIMALS: ANGLES: ±NA .XX ±.01 ±MA .XXX ±.005 MATERIAL: SEE NOTES FINISH: SEE NOTES DO NOT SCALE DRAWING	CONTRACT NO:		MACKIE. Mackie Designs Inc. Woodinville, Wa.	
	APPROVALS	DATE		
	DRAWN: trh	4-21-95	SCHEMATIC, CHANNEL 4, SR 24-4	
	CHECKED:	ISSUED:		
ENG:	MFC:	SIZE D	DWG. NO. 990-050-00	REV. S
		SCALE: NONE	SHEET 4 OF 14	



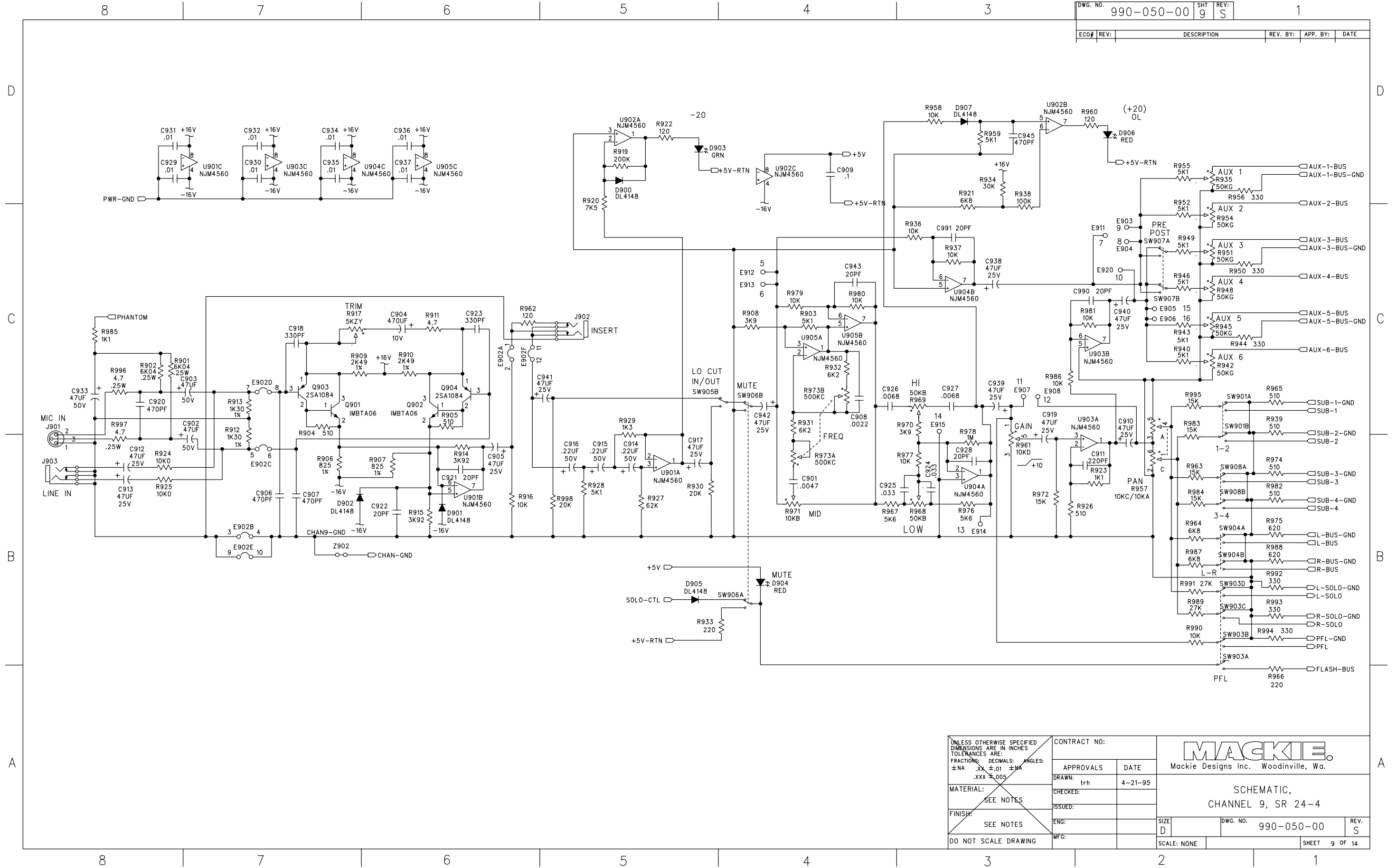
UNLESS OTHERWISE SPECIFIED DIMENSIONS ARE IN INCHES TOLERANCES ARE: FRACTIONS: DECIMALS: ANGLES: ±.NA .XX ±.01 ±.NA .XXX ±.005	CONTRACT NO:		MACKIE Mackie Designs Inc. Woodinville, Wa.		
	APPROVALS	DATE			
	MATERIAL:	DRAWN: trh	4-21-95	SCHEMATIC, CHANNEL 5, SR 24-4	
	FINISH:	CHECKED:	ISSUED:		
DO NOT SCALE DRAWING	ENG:	MFG:	SIZE D	DWG. NO. 990-050-00	REV. S
			SCALE: NONE	SHEET 5 OF 14	



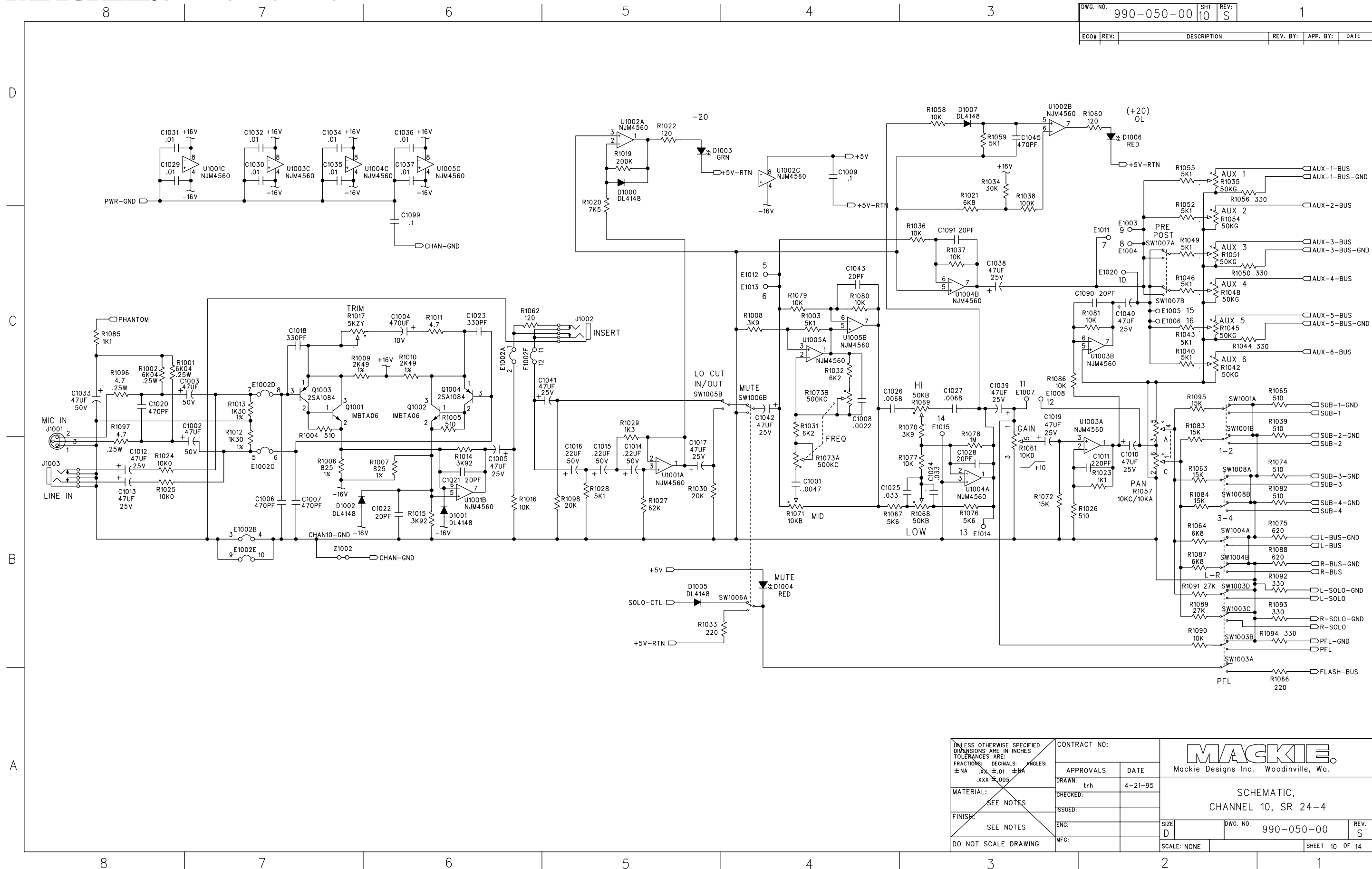
UNLESS OTHERWISE SPECIFIED DIMENSIONS ARE IN INCHES TOLERANCES ARE: FRACTIONS: DECIMALS: ANGLES: ±.NA .XX ±.01 ±.NA .XXX ±.005	CONTRACT NO:		MACKIE Mackie Designs Inc. Woodinville, Wa.		
	APPROVALS	DATE			
	MATERIAL:	DRAWN: trh	4-21-95	SCHEMATIC, CHANNEL 7, SR 24-4	
	FINISH:	CHECKED:	ISSUED:		
DO NOT SCALE DRAWING	ENG:	MFG:	SIZE D	DWG. NO. 990-050-00	REV. S
			SCALE: NONE	SHEET 7 OF 14	



UNLESS OTHERWISE SPECIFIED DIMENSIONS ARE IN INCHES FRACTIONS: DECIMALS: ANGLES: ±NA .XX ±.01 ±MA .XXX ±.005	CONTRACT NO:		MACKIE Mackie Designs Inc. Woodinville, Wa.		
	APPROVALS:	DATE:			
	MATERIAL:	CHECKED: trh	4-21-95	SCHEMATIC, CHANNEL 8, SR 24-4	
	FINISH:	ISSUED:	ENG:		
DO NOT SCALE DRAWING	MFC:	SCALE: NONE	DWG. NO. 990-050-00	REV. S	
			SHEET 8 OF 14		



UNLESS OTHERWISE SPECIFIED DIMENSIONS ARE IN INCHES TOLERANCES ARE: FRACTIONS: DECIMALS: ANGLES: ±.NA .XX ±.01 ±.NA .XXX ±.005	CONTRACT NO:		MACKIE Mackie Designs Inc. Woodinville, Wa.	
	APPROVALS	DATE		
	MATERIAL:	CHECKED:	SCHEMATIC, CHANNEL 9, SR 24-4	
	FINISH:	ISSUED:	SIZE	DWG. NO.
DO NOT SCALE DRAWING	ENG:	D	990-050-00	S
	MFG:	SCALE: NONE	SHEET 9 OF 14	



UNLESS OTHERWISE SPECIFIED DIMENSIONS ARE IN INCHES TOLERANCES ARE: FRACTIONS: DECIMALS: ANGLES: ±NA .XX ±.01 ±NA .XXX ±.005	CONTRACT NO:		MACKIE Mackie Designs Inc. Woodinville, Wa.		
	APPROVALS:	DATE:			
	MATERIAL:	CHECKED: trh	4-21-95	SCHEMATIC, CHANNEL 10, SR 24-4	
	FINISH:	ISSUED:	ENG:		
DO NOT SCALE DRAWING	MFC:	SCALE: NONE	DWG. NO. 990-050-00	REV. S	
			SHEET 10 OF 14		