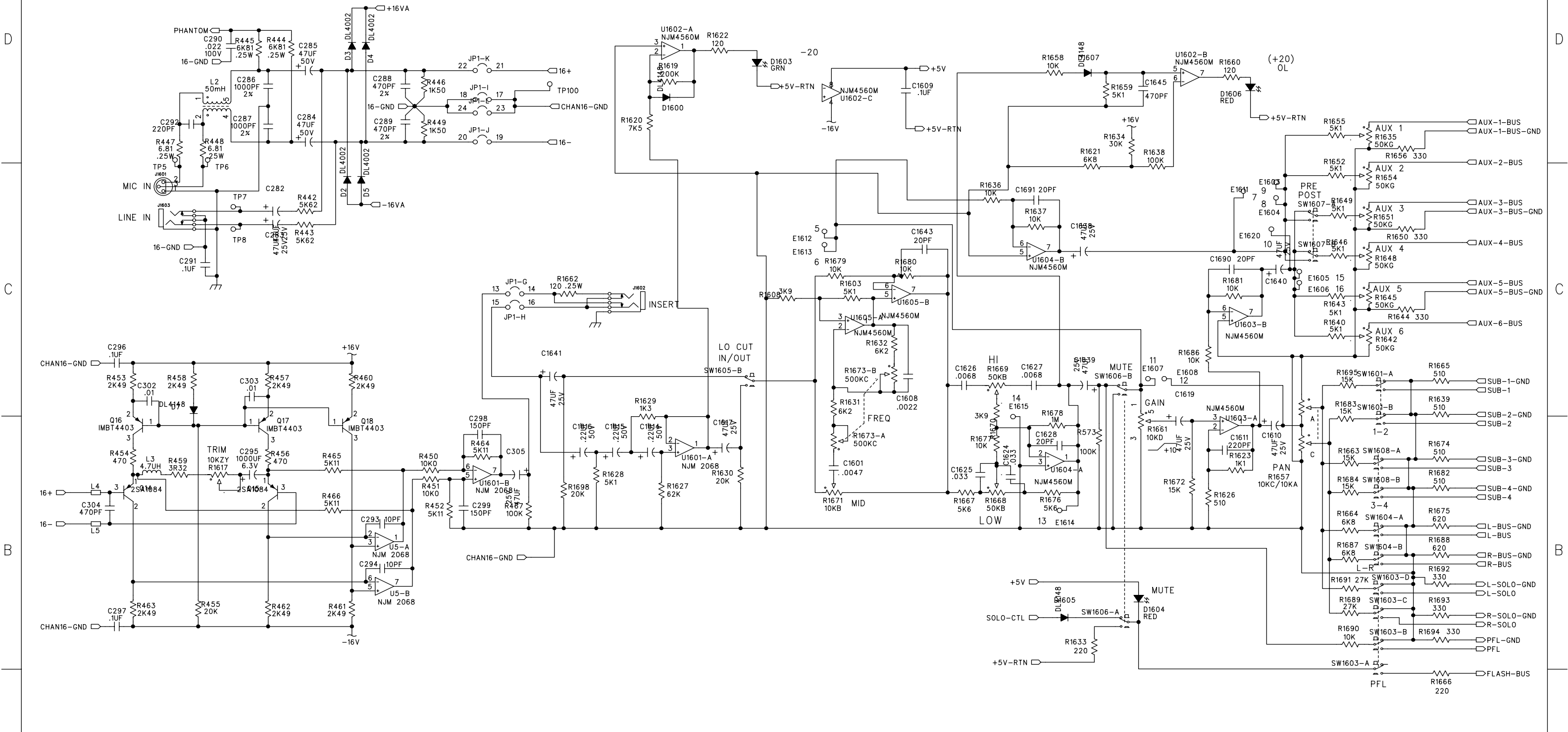


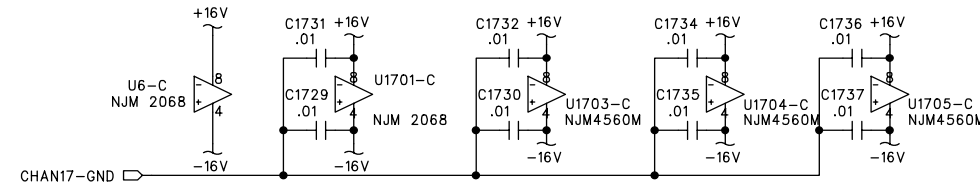
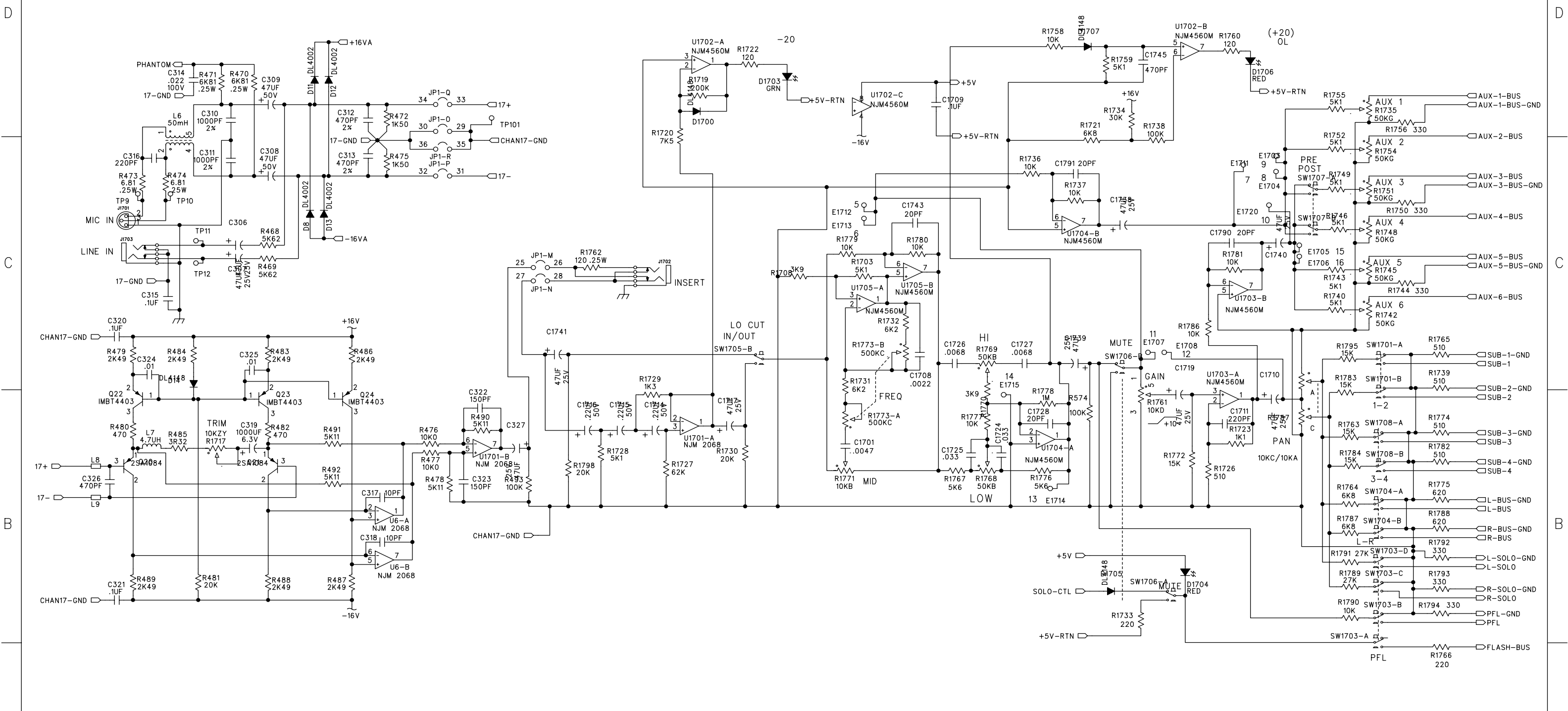
- SOLO-CTL → J41-1 → TP71
- +5V-RTN → J41-2 → TP72
- +5V → J41-3 → TP73
- +5V → J41-4 → TP74
- L-SOLO → J41-5 → TP75
- L-SOLO-GND → J41-6 → TP76
- FLASH-BUS → J41-7 → TP77
- R-SOLO → J41-8 → TP78
- R-SOLO-GND → J41-9 → TP79
- PFL-GND → J41-10 → TP80
- SUB-1 → J40-1 → TP81
- SUB-1-GND → J40-2 → TP82
- SUB-2 → J40-3 → TP83
- SUB-2-GND → J40-4 → TP84
- SUB-3 → J40-5 → TP85
- SUB-3-GND → J40-6 → TP86
- SUB-4 → J40-7 → TP87
- SUB-4-GND → J40-8 → TP88
- SUB-4 → J40-9 → TP89
- L-BUS → J40-10 → TP90
- L-BUS-GND → J40-11 → TP91
- R-BUS → J40-12 → TP92

<p>UNLESS OTHERWISE SPECIFIED DIMENSIONS ARE IN INCHES TOLERANCES ARE:</p> <p>FRACTIONS: DECIMALS: ANGLES:</p> <p>±NA .XX ±.01 ±MA .XXX ±.005</p>		<p>CONTRACT NO:</p>		<p><b>MACKIE</b></p> <p>Mackie Designs Inc. Woodinville, Wa.</p>	
<p>MATERIAL:</p> <p>SEE NOTES</p>		<p>APPROVALS</p> <p>DATE</p> <p>12-22-99</p>			
<p>FINISH:</p> <p>SEE NOTES</p>		<p>CHECKED:</p> <p>ISSUED:</p>		<p>SCHMATIC, MASTER BOARD, 24*4</p>	
<p>DO NOT SCALE DRAWING</p>		<p>ENG:</p> <p>MFG:</p>		<p>SIZE D</p> <p>DWG. NO. 990-305-00</p> <p>REV. A</p>	

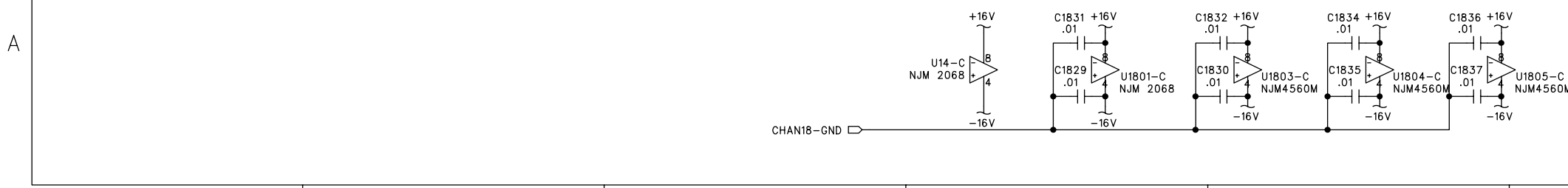
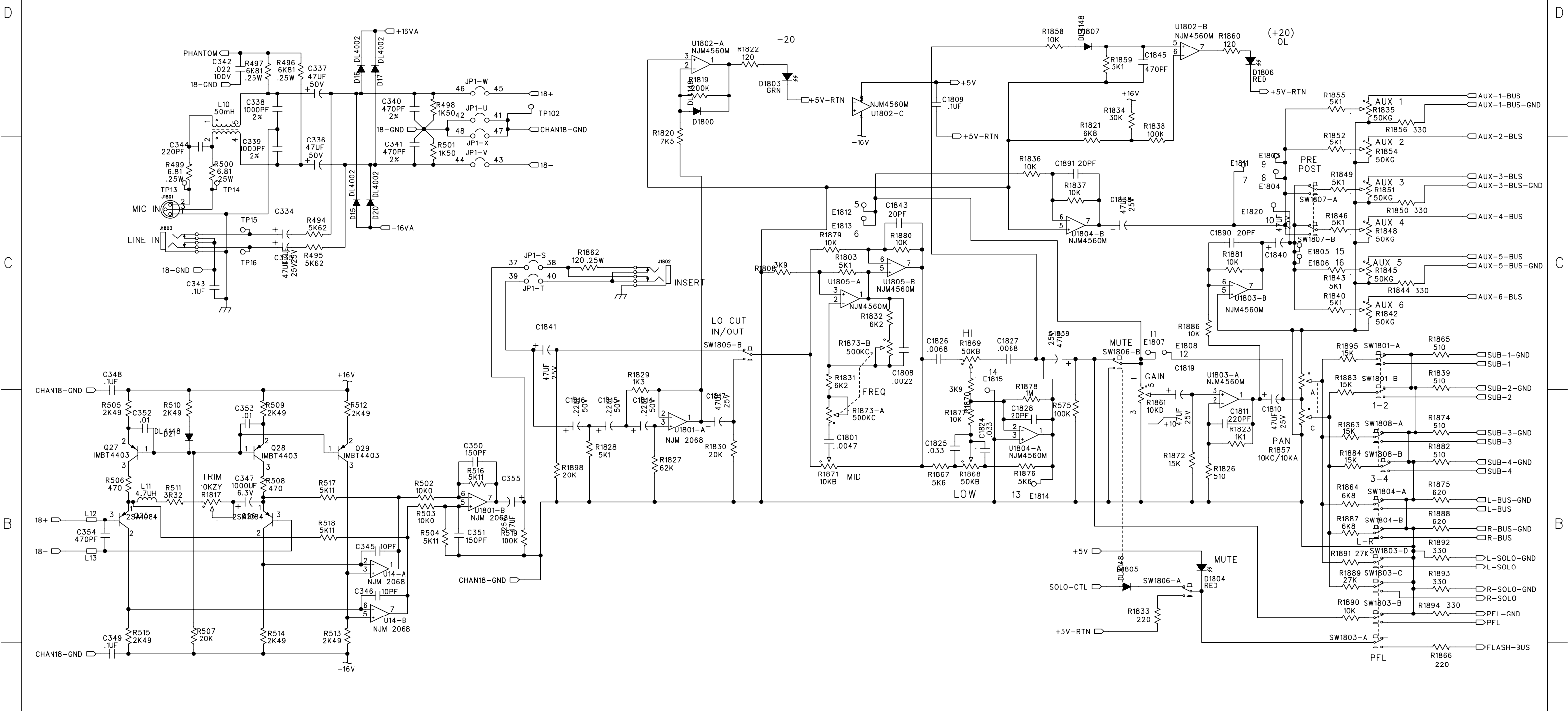
ECO#	REV:	DESCRIPTION	REV. BY:	APP. BY:	DATE



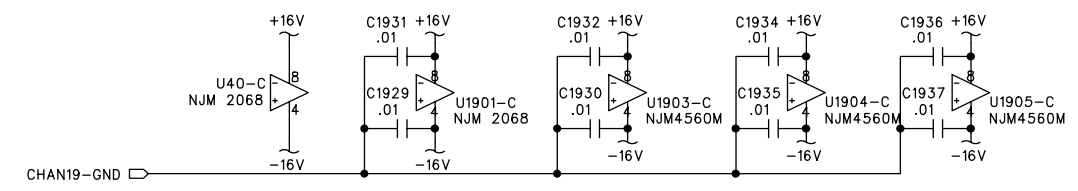
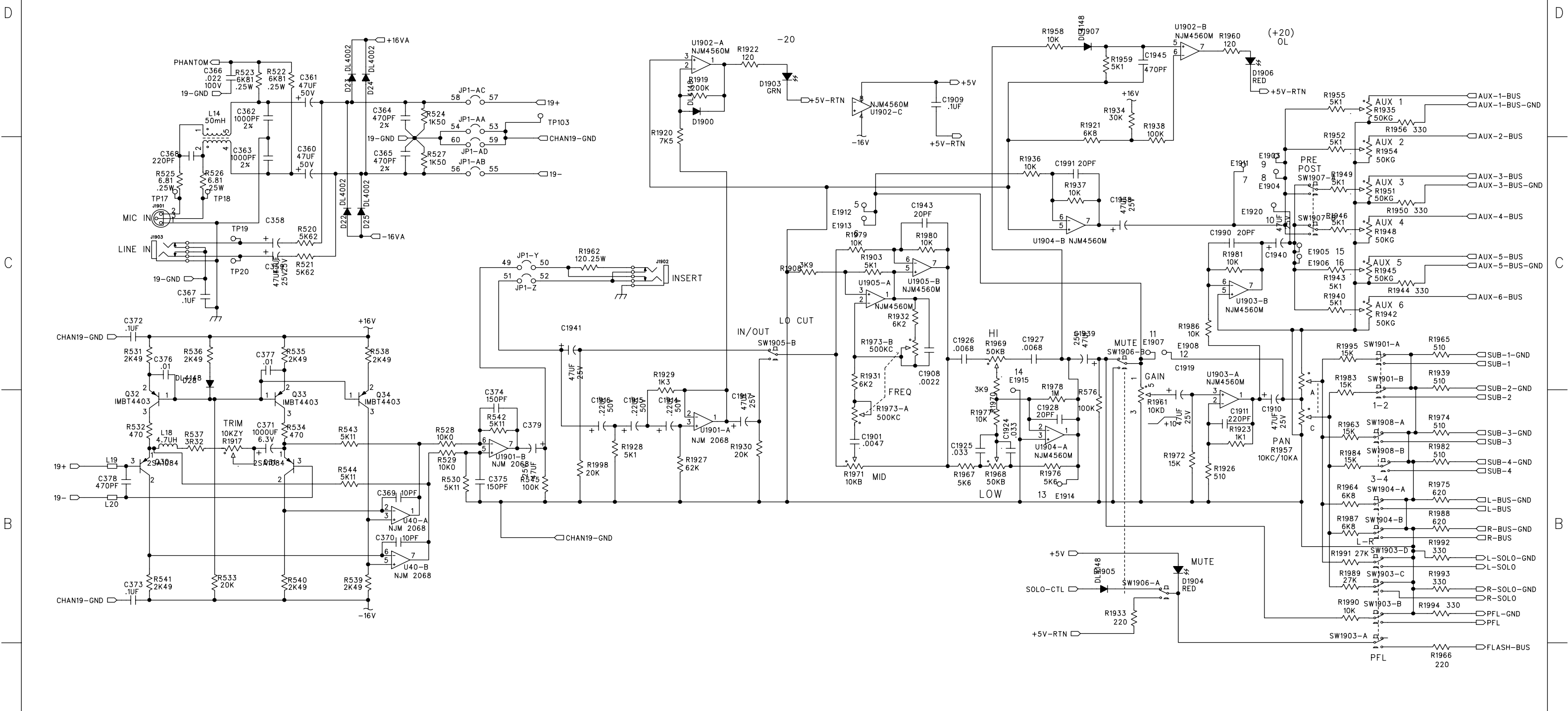
<p>UNLESS OTHERWISE SPECIFIED DIMENSIONS ARE IN INCHES TOLERANCES ARE:</p> <p>FRACTIONS: DECIMALS: ANGLES:</p> <p>±NA .XX ±.01 ±MA .XXX ±.005</p> <p>MATERIAL: SEE NOTES</p> <p>FINISH: SEE NOTES</p> <p>DO NOT SCALE DRAWING</p>	CONTRACT NO:			
	APPROVALS	DATE		
	DRAWN: mfp	12-22-99	<p>SCHEMATIC, MASTER BOARD, 24*4</p>	
	CHECKED:	ISSUED:		
ENG:	MFG:	SIZE D	DWG. NO. 990-305-00	REV. A
		SCALE: NONE	SHEET 2 OF 13	



UNLESS OTHERWISE SPECIFIED DIMENSIONS ARE IN INCHES TOLERANCES ARE: FRACTIONS: DECIMALS: ANGLES: ±NA .XX ±.01 ±MA .XXX ±.005		CONTRACT NO:			
MATERIAL: SEE NOTES		APPROVALS	DATE		
FINISH: SEE NOTES		DRAWN: mfp	12-22-99	SCHEMATIC, MASTER BOARD, 24*4	
DO NOT SCALE DRAWING		CHECKED:	ISSUED:		
		ENG:	MFG:	SCALE: NONE	REV. A
				SHEET 3 OF 13	



<p>UNLESS OTHERWISE SPECIFIED DIMENSIONS ARE IN INCHES TOLERANCES ARE:</p> <p>FRACTIONS: DECIMALS: ANGLES:</p> <p>±NA .XX ±.01 ±MA .XXX ±.005</p> <p>MATERIAL: SEE NOTES</p> <p>FINISH: SEE NOTES</p> <p>DO NOT SCALE DRAWING</p>	CONTRACT NO:		<p><b>MACKIE</b></p> <p>Mackie Designs Inc. Woodinville, Wa.</p>	
	APPROVALS	DATE		
	DRAWN: mfp	12-22-99	<p>SCHEMATIC, MASTER BOARD, 24*4</p>	
	CHECKED:	ISSUED:		
ENG:	MFG:	SIZE D	DWG. NO. 990-305-00	REV. A
		SCALE: NONE	SHEET 4 OF 13	



UNLESS OTHERWISE SPECIFIED DIMENSIONS ARE IN INCHES  
 TOLERANCES ARE:  
 FRACTIONS: DECIMALS: ANGLES:  
 ±NA .XX ±.01 ±MA  
 .XXX ±.005

MATERIAL: SEE NOTES  
 FINISH: SEE NOTES  
 DO NOT SCALE DRAWING

CONTRACT NO:	
APPROVALS	DATE
DRAWN: mfp	12-22-99
CHECKED:	
ISSUED:	
ENG:	
MFG:	

**MACKIE**  
 Mackie Designs Inc. Woodinville, Wa.

SCHEMATIC,  
 MASTER BOARD, 24\*4

SIZE D	DWG. NO. 990-305-00	REV. A
SCALE: NONE	SHEET 5 OF 13	

ECO#	REV.	DESCRIPTION	REV. BY:	APP. BY:	DATE

D

C

B

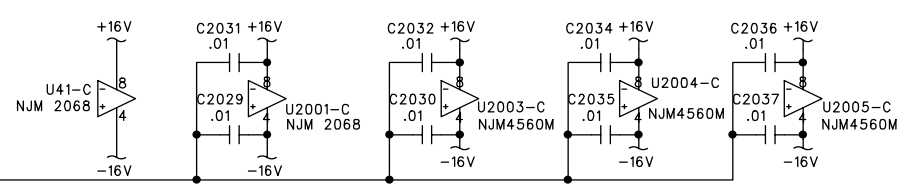
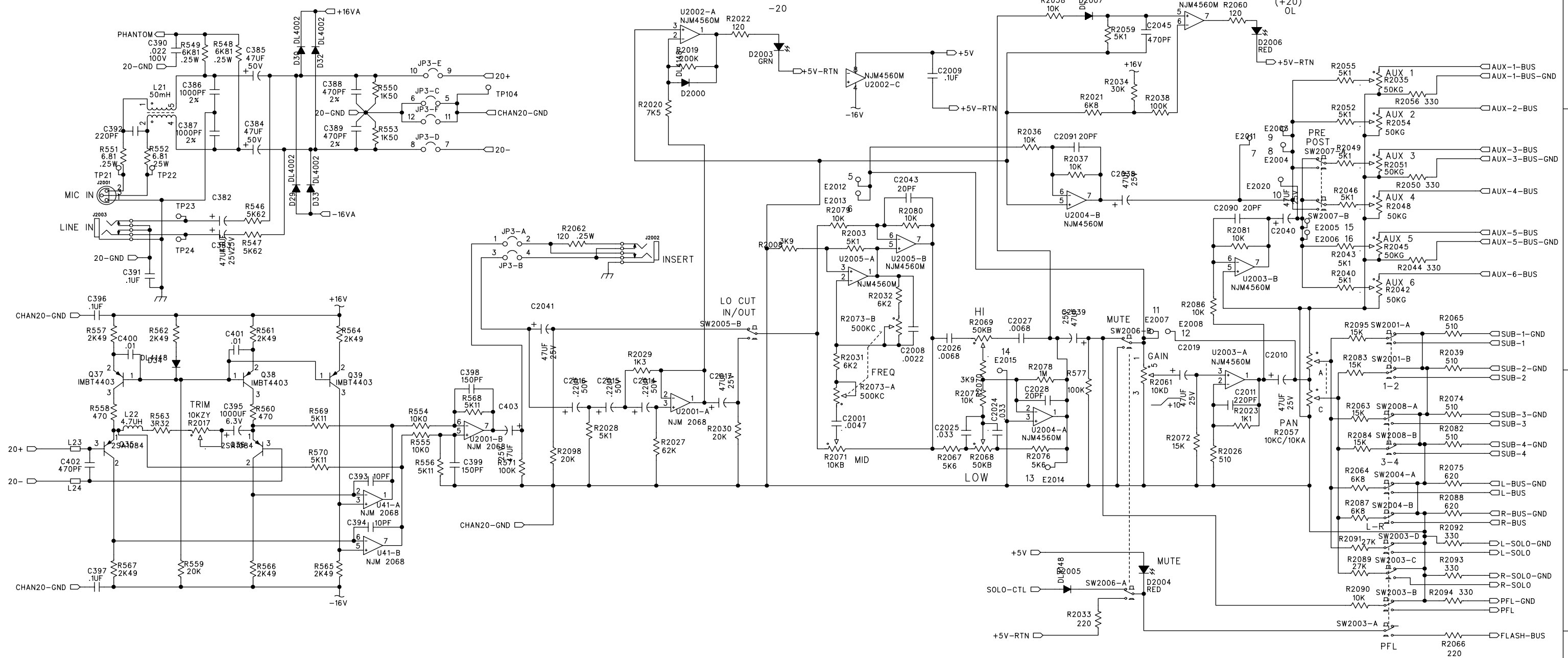
A

D

C

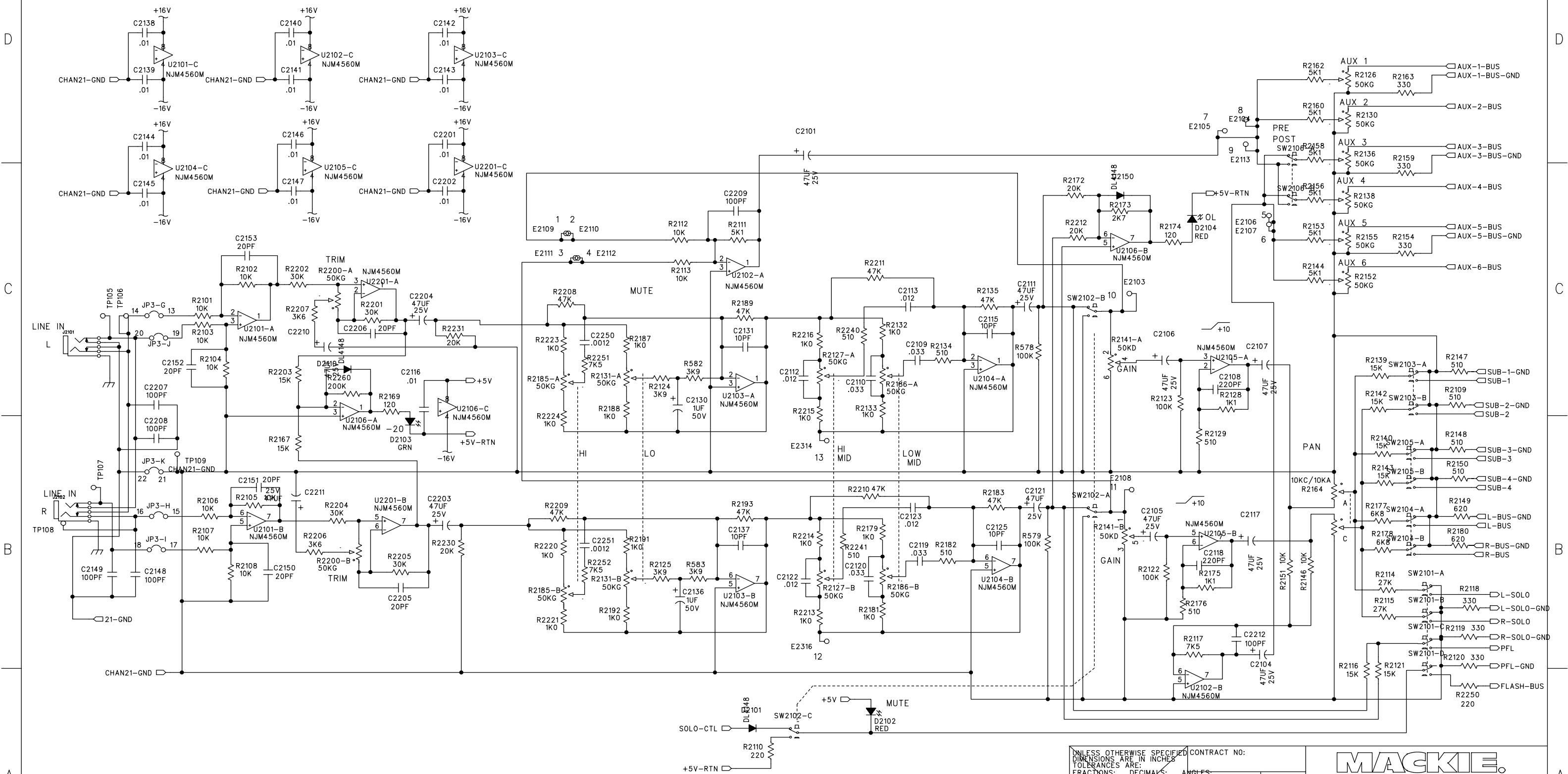
B

A



<p>UNLESS OTHERWISE SPECIFIED DIMENSIONS ARE IN INCHES TOLERANCES ARE:</p> <p>FRACTIONS: DECIMALS: ANGLES:</p> <p>±NA .XX ±.01 ±MA .XXX ±.005</p> <p>MATERIAL: SEE NOTES</p> <p>FINISH: SEE NOTES</p> <p>DO NOT SCALE DRAWING</p>	CONTRACT NO:		<p><b>MACKIE</b></p> <p>Mackie Designs Inc. Woodinville, Wa.</p>	
	APPROVALS	DATE		
	DRAWN: mfp	12-22-99	<p>SCHEMATIC, MASTER BOARD, 24*4</p>	
	CHECKED:	ISSUED:		
ENG:	MFG:	SIZE D	DWG. NO. 990-305-00	REV. A
		SCALE: NONE	SHEET 6 OF 13	

ECO#	REV.	DESCRIPTION	REV. BY:	APP. BY:	DATE

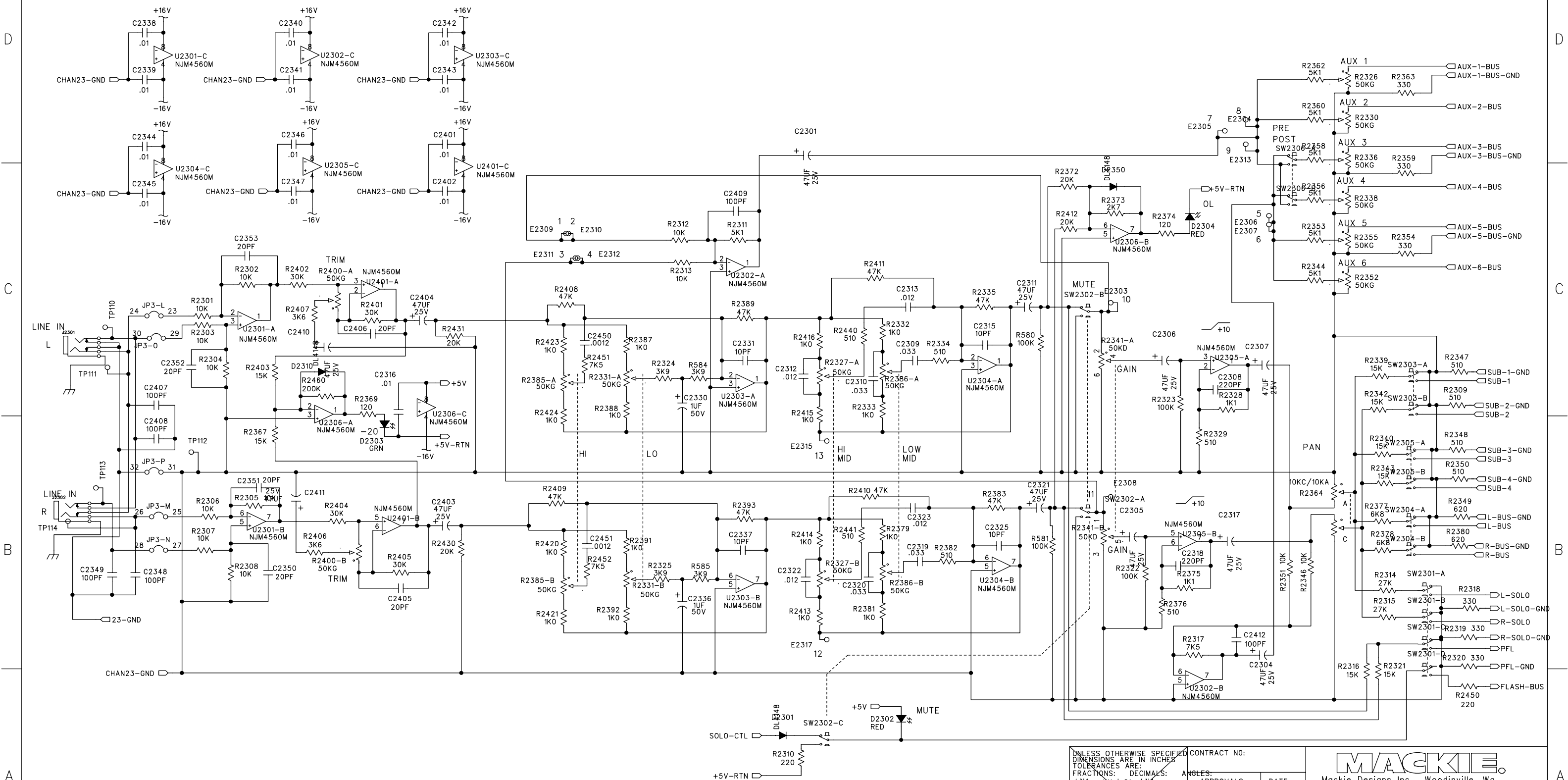


UNLESS OTHERWISE SPECIFIED DIMENSIONS ARE IN INCHES TOLERANCES ARE:		CONTRACT NO:	
FRACTIONS: ±NA	DECIMALS: ±.01 ±MA	APPROVALS	DATE
MATERIAL: SEE NOTES	FINISH: SEE NOTES	DRAWN: mfp	12-22-99
DO NOT SCALE DRAWING	ISSUED:	CHECKED:	ENG:

**MACKIE**  
Mackie Designs Inc. Woodinville, Wa.

SCHEMATIC  
MASTER BOARD, 24\*4

SIZE	DWG. NO.	REV.
D	990-305-00	A
SCALE: NONE	SHEET 7 OF 13	



UNLESS OTHERWISE SPECIFIED DIMENSIONS ARE IN INCHES TOLERANCES ARE: FRACTIONS: DECIMALS: ANGLES: ±.010 ±.005 ±.010 ±.005 ±.010 ±.005		CONTRACT NO:	
MATERIAL: SEE NOTES		APPROVALS	DATE
FINISH: SEE NOTES		DRAWN: mfp	12-22-99
DO NOT SCALE DRAWING		CHECKED:	ISSUED:
		ENG:	
		MFG:	

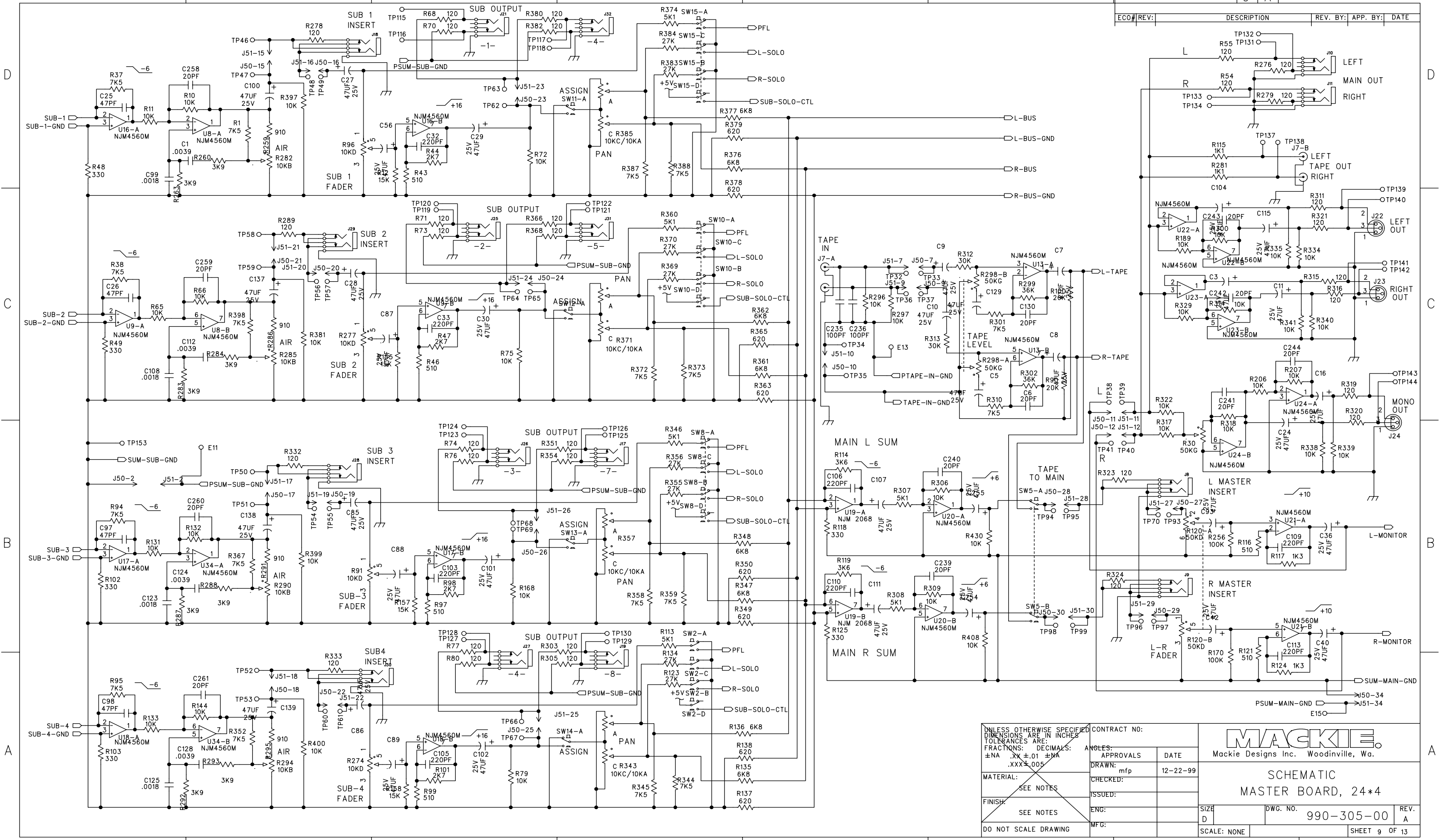
**MACKIE**  
Mackie Designs Inc. Woodinville, Wa.

SCHEMATIC  
MASTER BOARD, 24\*4

SIZE	DWG. NO.	REV.
D	990-305-00	A
SCALE: NONE	SHEET 8 OF 13	



ECO#	REV.	DESCRIPTION	REV. BY.	APP. BY.	DATE



UNLESS OTHERWISE SPECIFIED DIMENSIONS ARE IN INCHES TOLERANCES ARE: FRACTIONS: DECIMALS: ±NA .XX ±.01 ±MA .XXX ±.005		CONTRACT NO:		 Mackie Designs Inc. Woodinville, Wa.	
MATERIAL: SEE NOTES		APPROVALS	DATE		
FINISH: SEE NOTES		DRAWN:	ISSUED:	SCHEMATIC MASTER BOARD, 24x4	
DO NOT SCALE DRAWING		ENG:	MFG:		
		DWG. NO. 990-305-00 REV. A SHEET 9 OF 13			