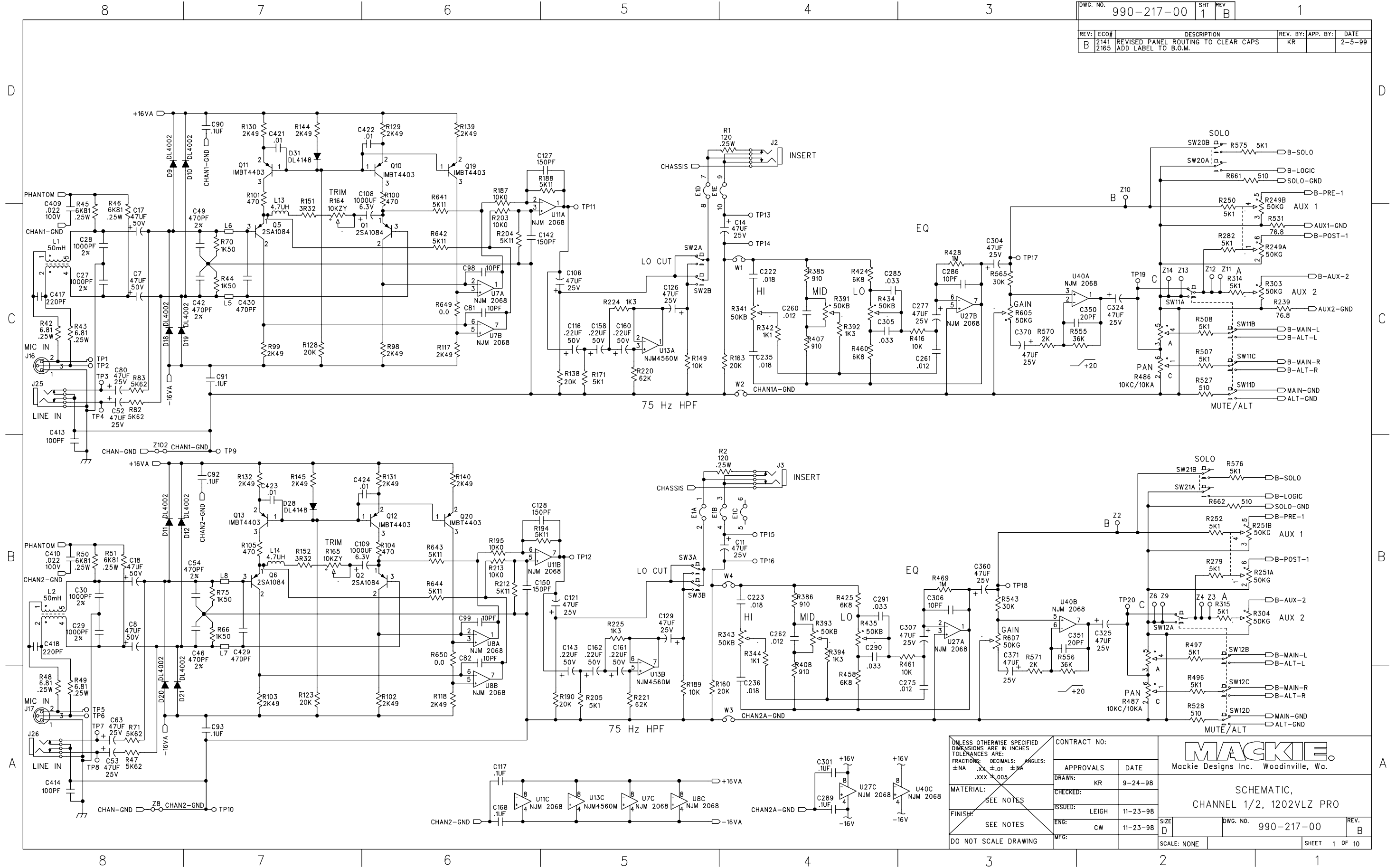
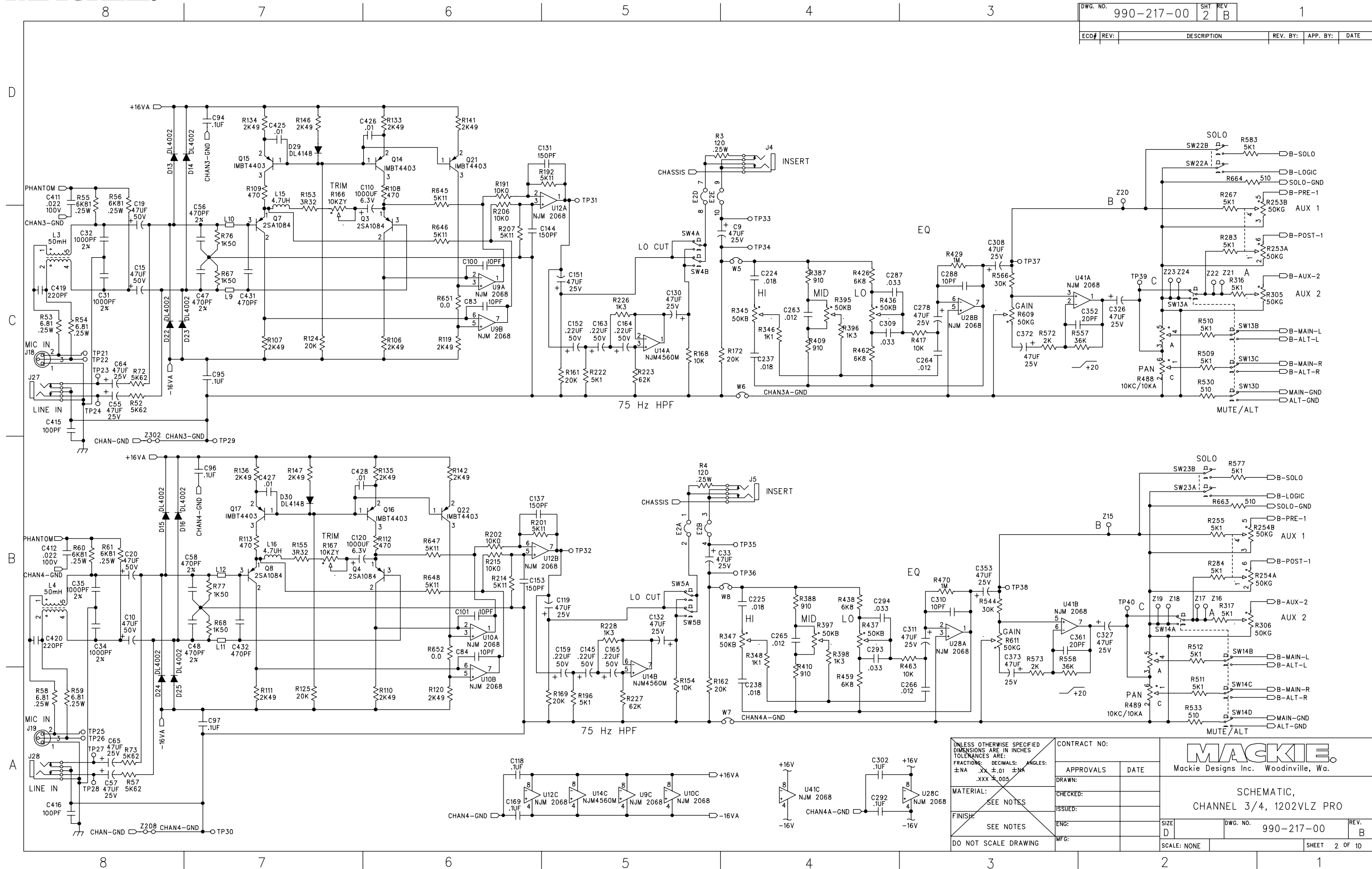
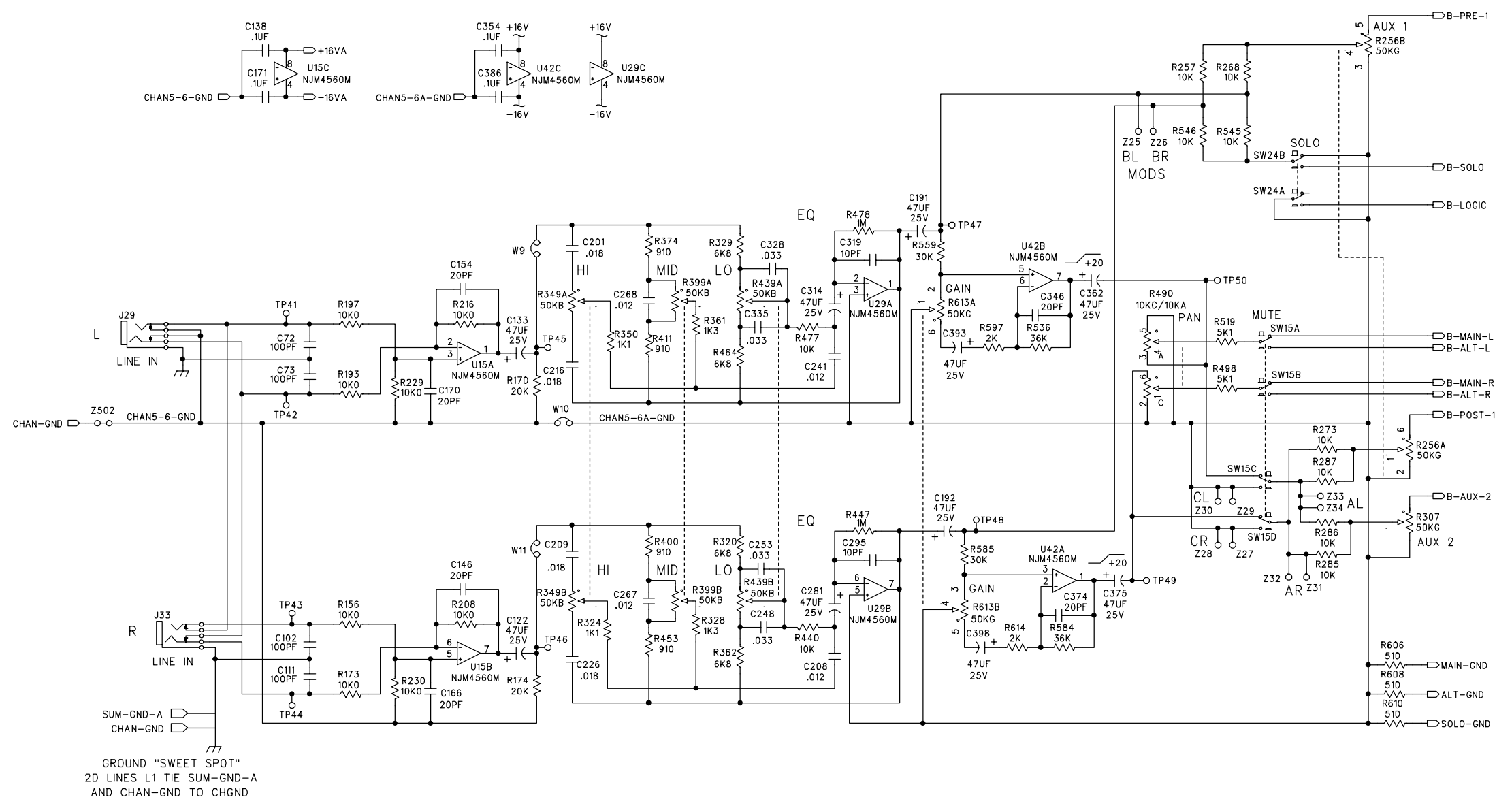


REV.	ECO#	DESCRIPTION	REV. BY:	APP. BY:	DATE
B	2141	REVISED PANEL ROUTING TO CLEAR CAPS	KR		2-5-99
	2165	ADD LABEL TO B.O.M.			



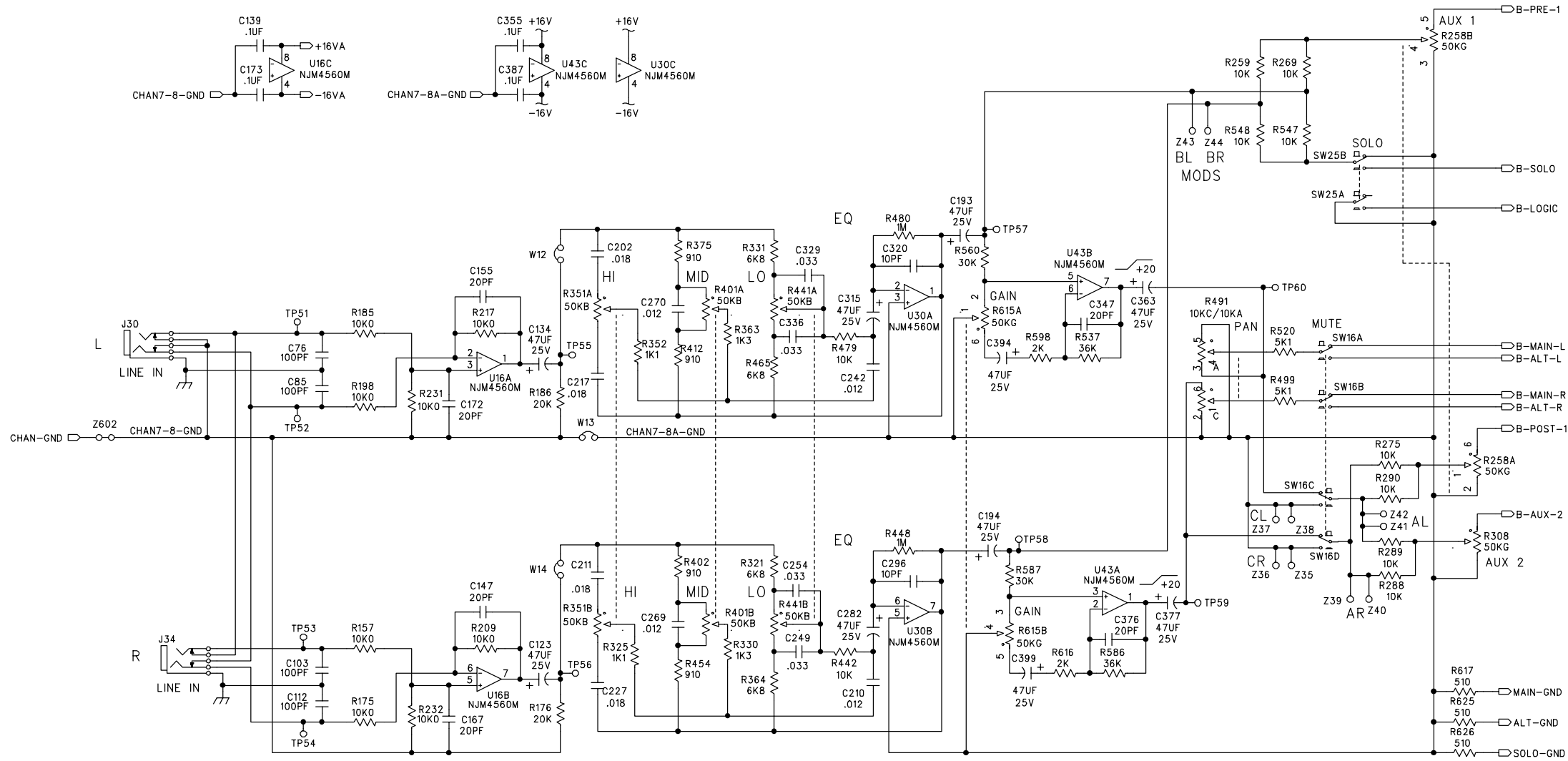
UNLESS OTHERWISE SPECIFIED DIMENSIONS ARE IN INCHES TOLERANCES ARE: FRACTIONS: DECIMALS: ANGLES: ±.NA .XX ±.01 ±.NA .XXX ±.005		CONTRACT NO:		<b>MACKIE</b> Mackie Designs Inc. Woodinville, Wa.	
MATERIAL: SEE NOTES		APPROVALS			
FINISH: SEE NOTES		DRAWN: KR		DATE: 9-24-98	
DO NOT SCALE DRAWING		ISSUED: LEIGH		11-23-98	
		ENG: CW		11-23-98	
		MFG:		SIZE: D	
				DWG. NO. 990-217-00	
				REV. B	
				SCALE: NONE	
				SHEET 1 OF 10	



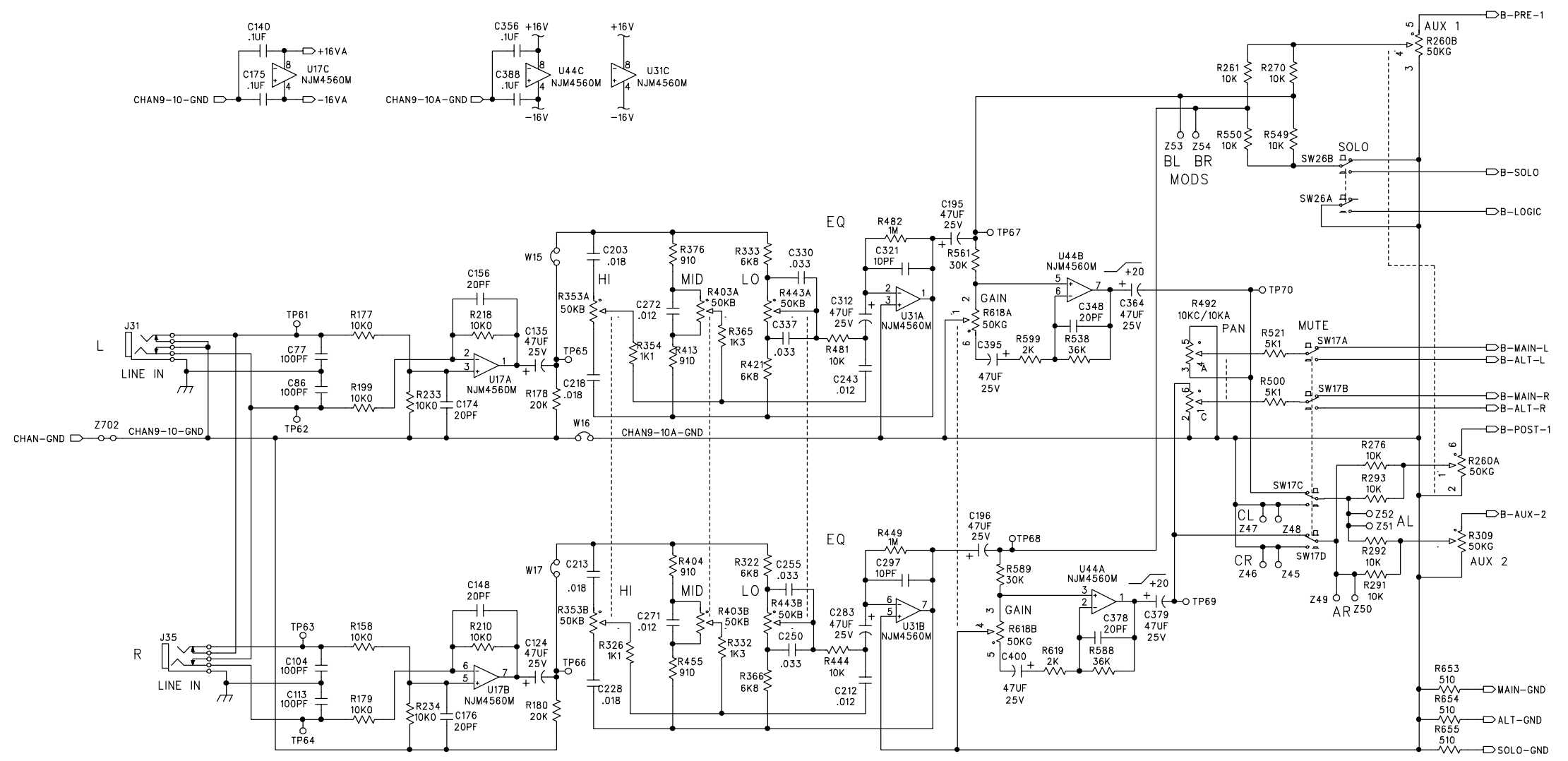


GROUND "SWEET SPOT"  
2D LINES L1 TIE SUM-GND-A  
AND CHAN-GND TO CHGND

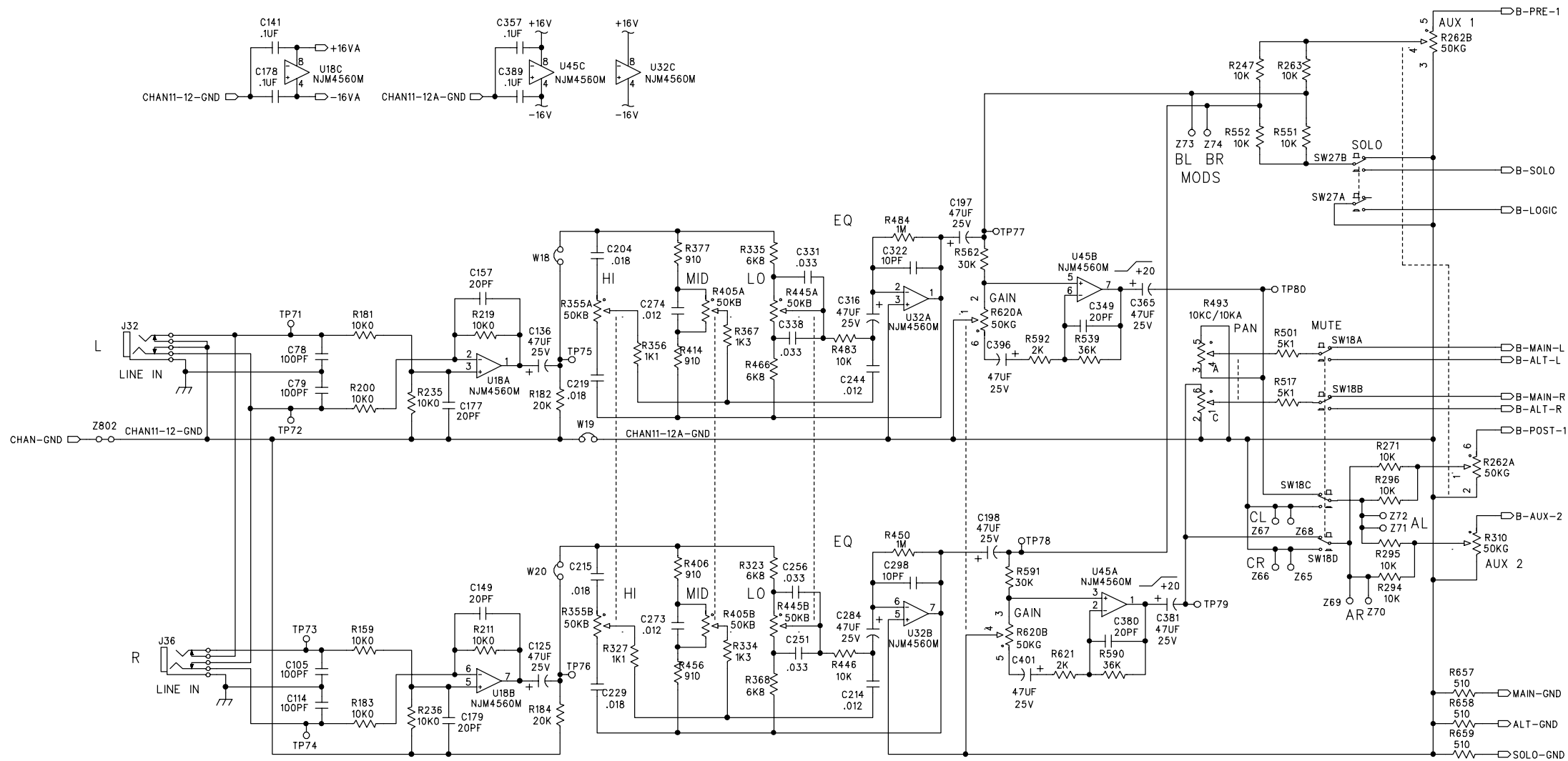
UNLESS OTHERWISE SPECIFIED DIMENSIONS ARE IN INCHES TOLERANCES ARE: FRACTIONS: DECIMALS: ANGLES: ±.NA .XX ±.01 ±NA .XXX ±.005	CONTRACT NO:		<b>MACKIE</b> Mackie Designs Inc. Woodinville, Wa.
	APPROVALS	DATE	
	DRAWN:	CHECKED:	
	ISSUED:	ENG:	
MATERIAL: SEE NOTES	ISSUED:	ENG:	SCHEMATIC, CHANNEL 5/6, 1202VLZ PRO
FINISH: SEE NOTES	ISSUED:	ENG:	
DO NOT SCALE DRAWING	MFG:	SCALE: NONE	DWG. NO. 990-217-00 REV. B SHEET 3 OF 10



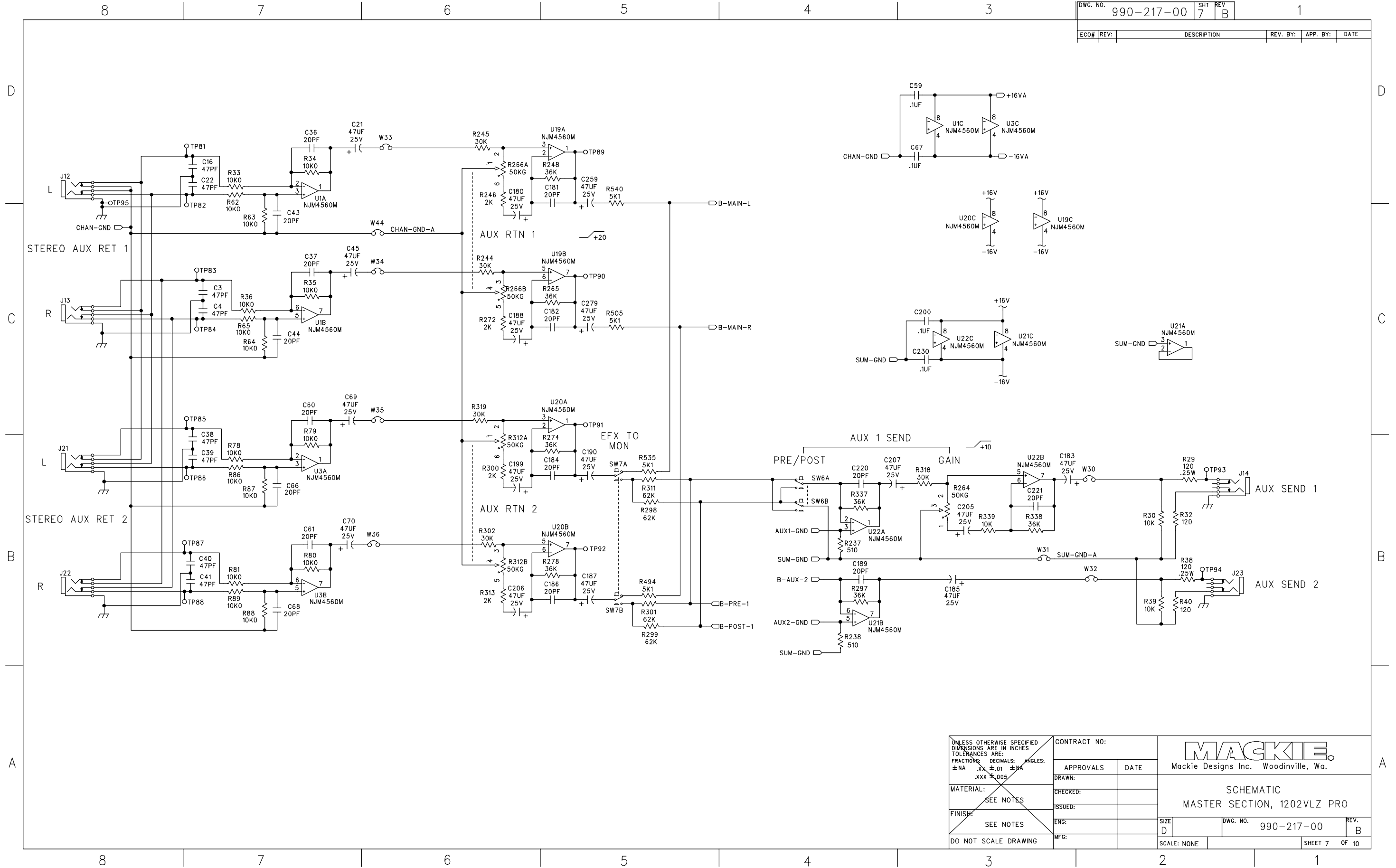
UNLESS OTHERWISE SPECIFIED DIMENSIONS ARE IN INCHES TOLERANCES ARE: FRACTIONS: DECIMALS: ANGLES: ±NA .XX ±.01 ±NA .XXX ±.005	CONTRACT NO:		<b>MACKIE</b> Mackie Designs Inc. Woodinville, Wa.	
	APPROVALS	DATE		
	DRAWN:		CHECKED:	
	SEE NOTES		ISSUED:	
FINISH:		ENG:		SIZE D DWG. NO. 990-217-00 REV. B
DO NOT SCALE DRAWING		MFG:		SCALE: NONE SHEET 4 OF 10



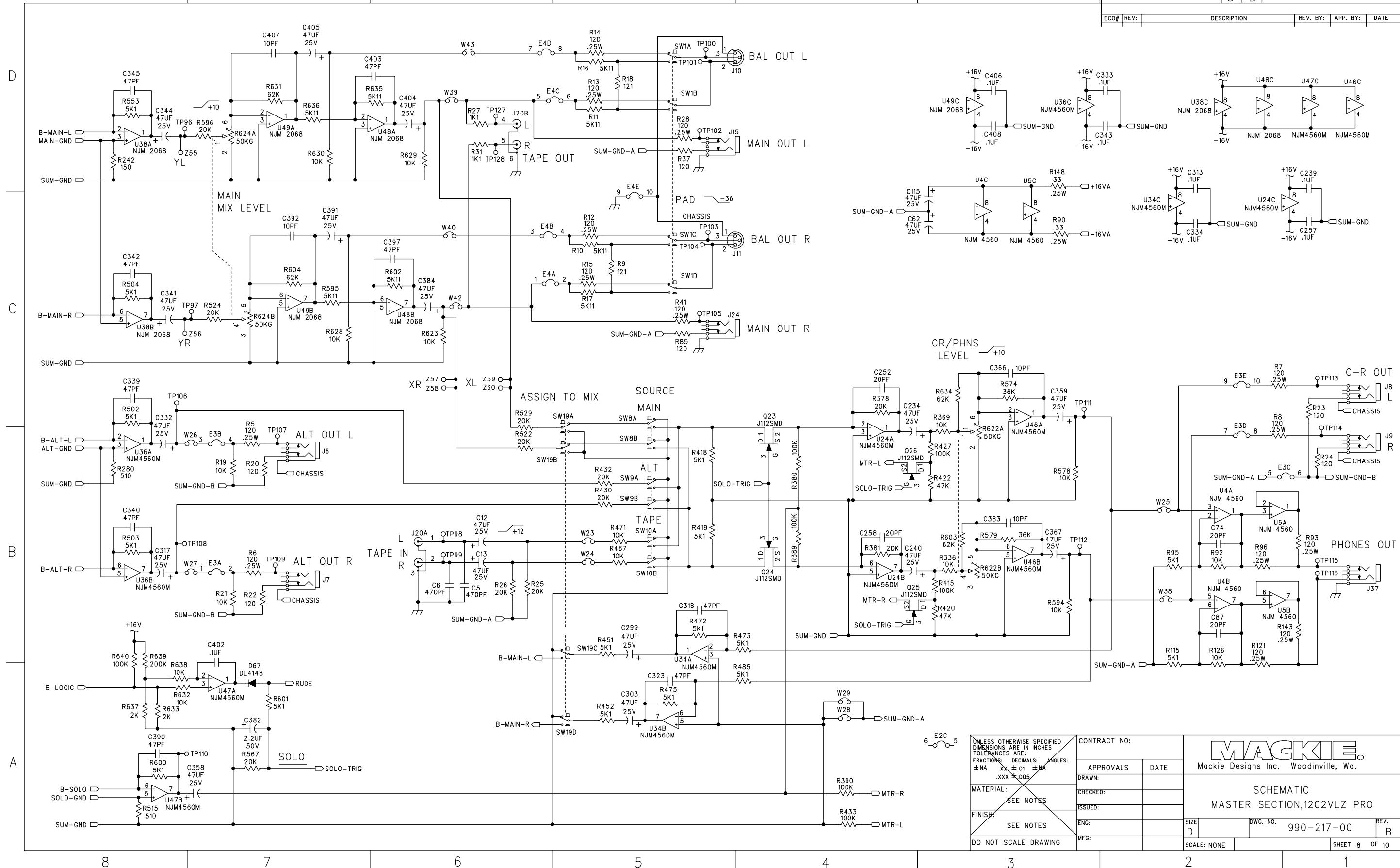
UNLESS OTHERWISE SPECIFIED DIMENSIONS ARE IN INCHES TOLERANCES ARE: FRACTIONS: DECIMALS: ANGLES: ±.NA .XX ±.01 ±NA .XXX ±.005 MATERIAL: SEE NOTES FINISH: SEE NOTES DO NOT SCALE DRAWING	CONTRACT NO:		<b>MACKIE</b> Mackie Designs Inc. Woodinville, Wa.	
	APPROVALS	DATE		
	DRAWN:	CHECKED:	SCHEMATIC, CHANNEL 9/10, 1202VLZ PRO	
	ISSUED:	ENG:		
MFG:	SCALE: NONE	SIZE D	DWG. NO. 990-217-00	REV. B
			SHEET 5 OF 10	



UNLESS OTHERWISE SPECIFIED DIMENSIONS ARE IN INCHES TOLERANCES ARE: FRACTIONS: DECIMALS: ANGLES: ±.NA .XXX ±.01 ±NA .XXX ±.005	CONTRACT NO:		<b>MACKIE</b> Mackie Designs Inc. Woodinville, Wa.	
	APPROVALS	DATE		
	DRAWN:		CHECKED:	
	MATERIAL: SEE NOTES		ISSUED:	
FINISH: SEE NOTES		ENG:		SIZE D DWG. NO. 990-217-00 REV. B
DO NOT SCALE DRAWING		MFG:		SCALE: NONE SHEET 6 OF 10



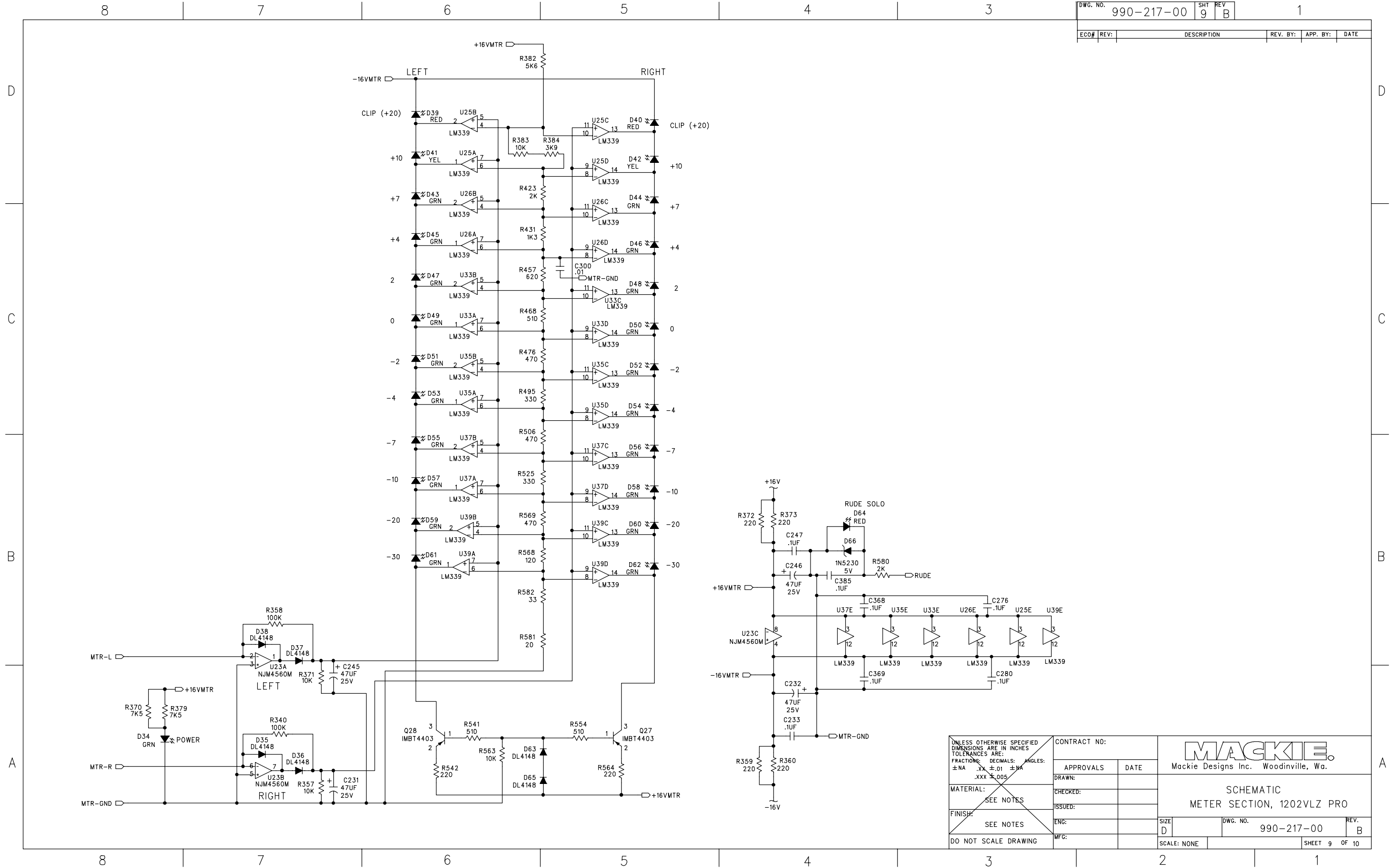
UNLESS OTHERWISE SPECIFIED DIMENSIONS ARE IN INCHES TOLERANCES ARE: FRACTIONS: DECIMALS: ANGLES: ±.NA .XX ±.01 ±.NA .XXX ±.005	CONTRACT NO:		<b>MACKIE.</b> Mackie Designs Inc. Woodinville, Wa.	
	APPROVALS	DATE		
	MATERIAL:	CHECKED:	SCHEMATIC MASTER SECTION, 1202VLZ PRO	
	FINISH:	ISSUED:		
DO NOT SCALE DRAWING	ENG:	SIZE	DWG. NO.	REV.
	MFG:	D	990-217-00	B
		SCALE: NONE	SHEET 7 OF 10	



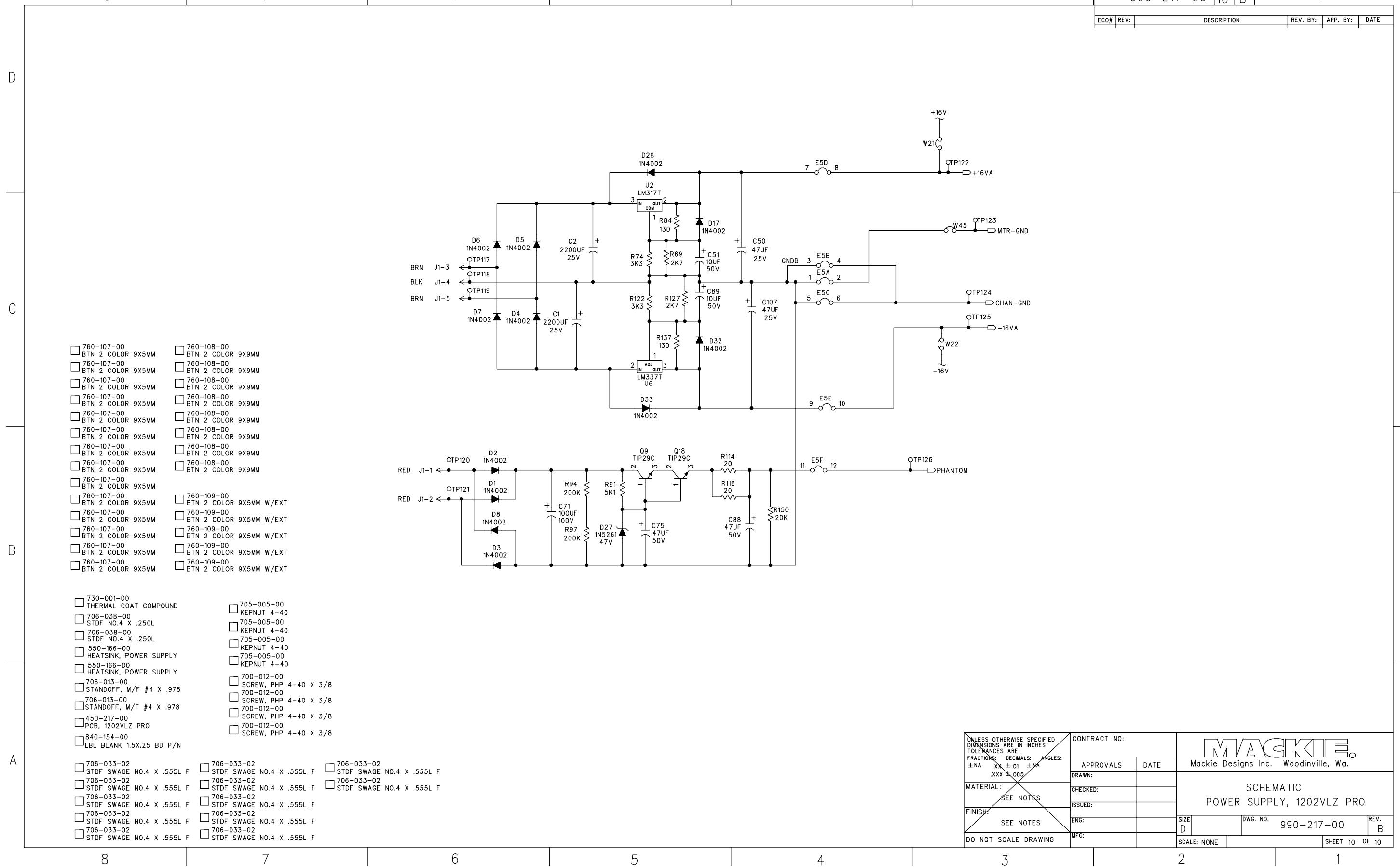
UNLESS OTHERWISE SPECIFIED DIMENSIONS ARE IN INCHES TOLERANCES ARE: FRACTIONS: DECIMALS: ANGLES: ±NA .XX ±.01 ±MA .XXX ±.005	CONTRACT NO:		<b>MACKIE</b> Mackie Designs Inc. Woodinville, Wa.	
	APPROVALS	DATE		
	MATERIAL:	CHECKED:	SCHEMATIC MASTER SECTION, 1202VLZ PRO	
	FINISH:	ISSUED:		
DO NOT SCALE DRAWING	ENG:	SCALE: NONE	DWG. NO. 990-217-00 REV. B	SHEET 8 OF 10

217-8 MAIN BOARD 217 Rev B





UNLESS OTHERWISE SPECIFIED DIMENSIONS ARE IN INCHES TOLERANCES ARE: FRACTIONS: DECIMALS: ANGLES: ±.NA .XX ±.01 ±.NA .XXX ±.005	CONTRACT NO:		<b>MACKIE</b> Mackie Designs Inc. Woodinville, Wa.	
	APPROVALS	DATE		
	MATERIAL:	CHECKED:	SCHEMATIC METER SECTION, 1202VLZ PRO	
	FINISH:	ISSUED:		
DO NOT SCALE DRAWING	MFG:	SIZE D	DWG. NO. 990-217-00	REV. B
		SCALE: NONE	SHEET 9 OF 10	

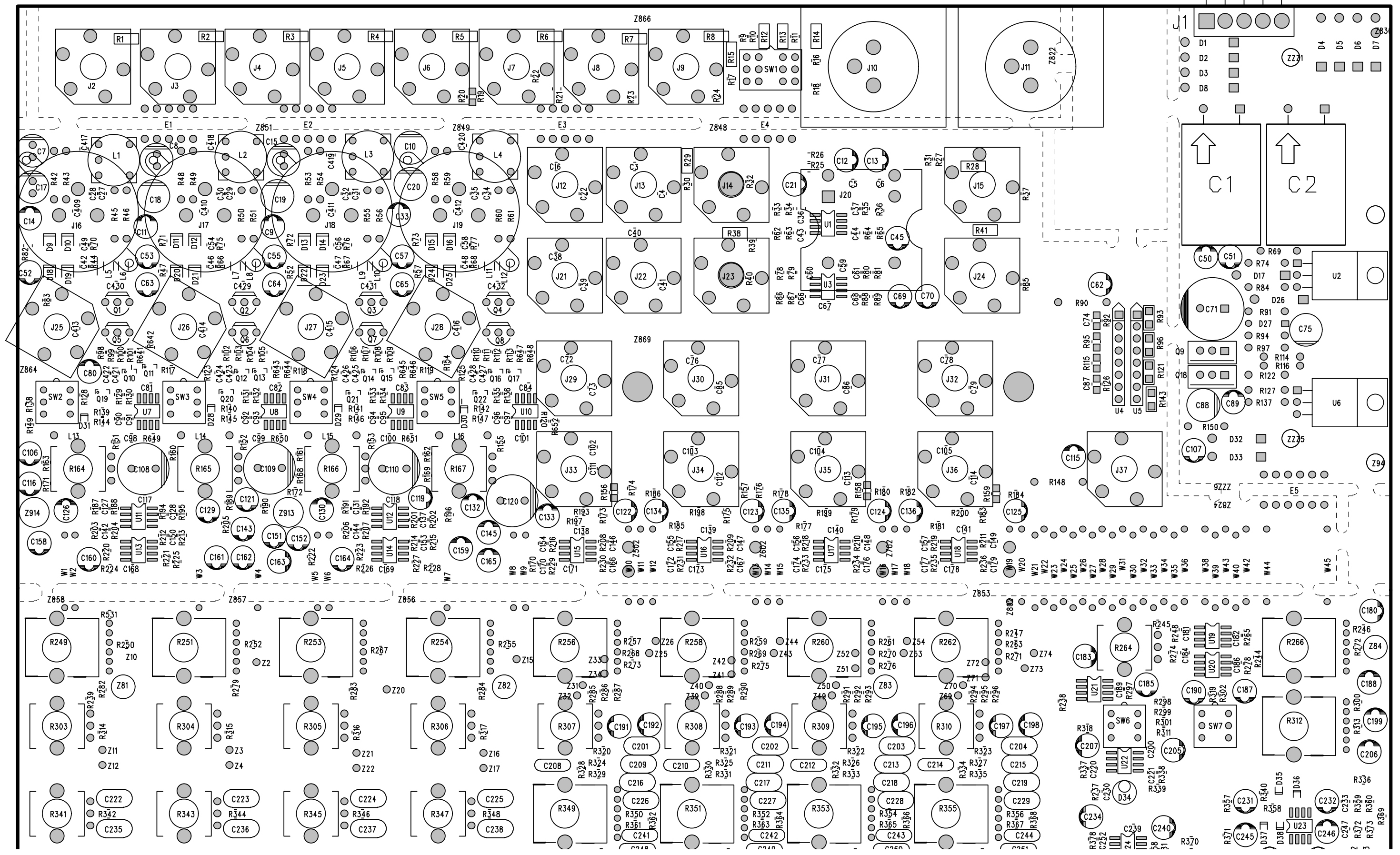


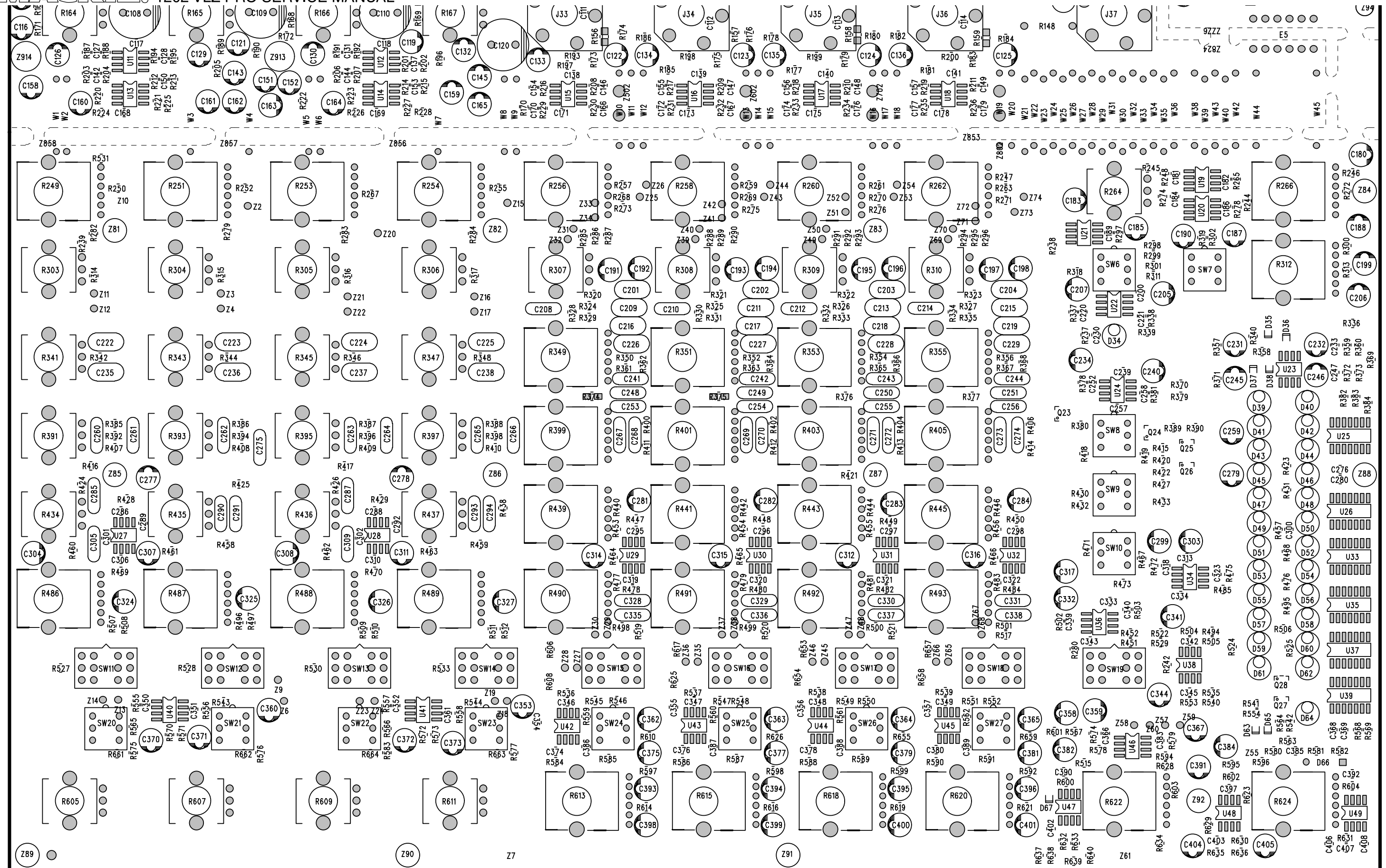
- 760-107-00 BTN 2 COLOR 9X5MM
- 760-107-00 BTN 2 COLOR 9X5MM
- 760-107-00 BTN 2 COLOR 9X5MM
- 760-107-00 BTN 2 COLOR 9X5MM
- 760-107-00 BTN 2 COLOR 9X5MM
- 760-107-00 BTN 2 COLOR 9X5MM
- 760-107-00 BTN 2 COLOR 9X5MM
- 760-107-00 BTN 2 COLOR 9X5MM
- 760-107-00 BTN 2 COLOR 9X5MM
- 760-107-00 BTN 2 COLOR 9X5MM
- 760-107-00 BTN 2 COLOR 9X5MM
- 760-107-00 BTN 2 COLOR 9X5MM
- 760-108-00 BTN 2 COLOR 9X9MM
- 760-108-00 BTN 2 COLOR 9X9MM
- 760-108-00 BTN 2 COLOR 9X9MM
- 760-108-00 BTN 2 COLOR 9X9MM
- 760-108-00 BTN 2 COLOR 9X9MM
- 760-108-00 BTN 2 COLOR 9X9MM
- 760-108-00 BTN 2 COLOR 9X9MM
- 760-108-00 BTN 2 COLOR 9X9MM
- 760-108-00 BTN 2 COLOR 9X9MM
- 760-108-00 BTN 2 COLOR 9X9MM
- 760-109-00 BTN 2 COLOR 9X5MM W/EXT
- 760-109-00 BTN 2 COLOR 9X5MM W/EXT
- 760-109-00 BTN 2 COLOR 9X5MM W/EXT
- 760-109-00 BTN 2 COLOR 9X5MM W/EXT
- 760-109-00 BTN 2 COLOR 9X5MM W/EXT
- 760-109-00 BTN 2 COLOR 9X5MM W/EXT
- 760-109-00 BTN 2 COLOR 9X5MM W/EXT

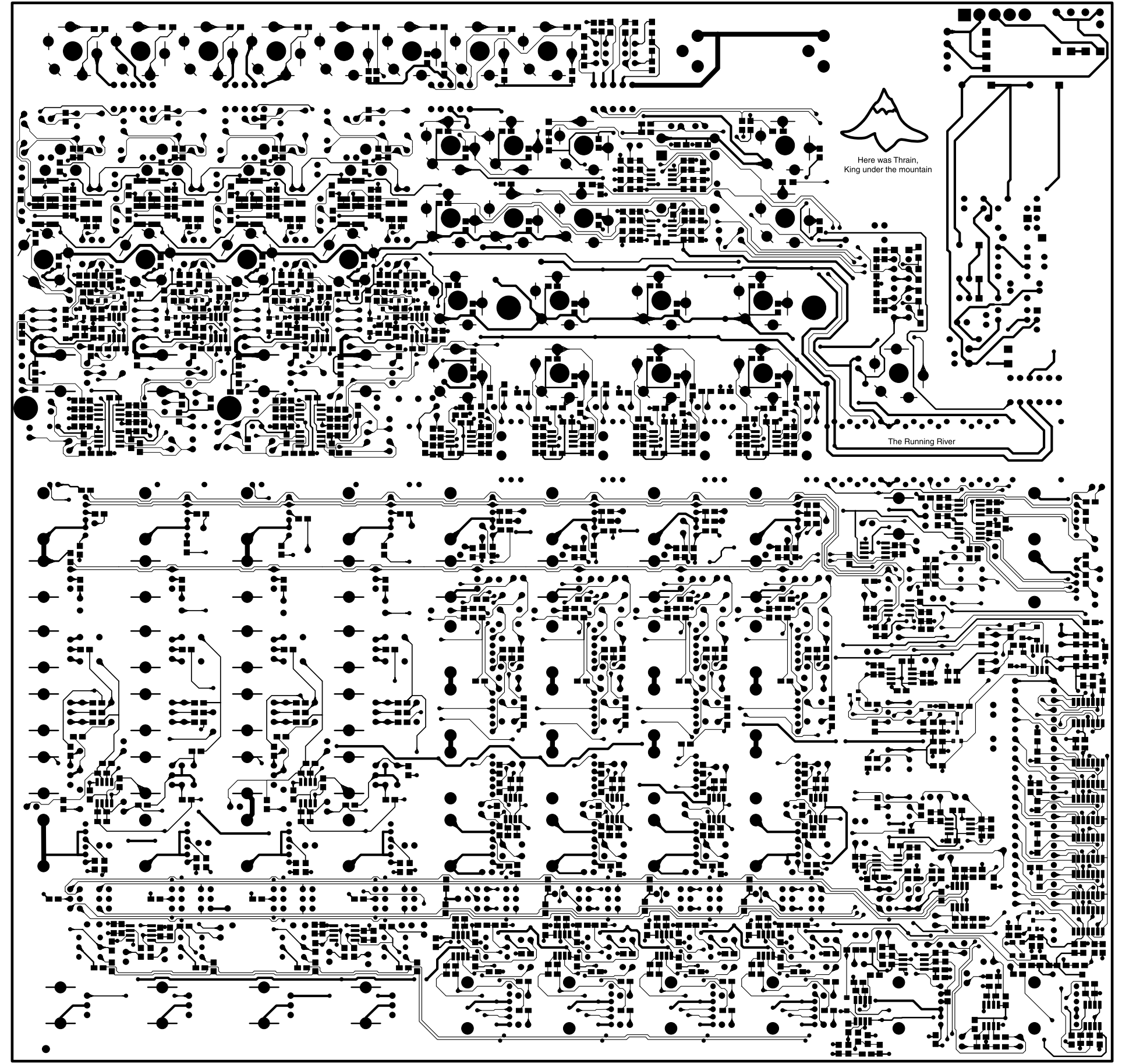
- 730-001-00 THERMAL COAT COMPOUND
- 706-038-00 STDF NO.4 X .250L
- 706-038-00 STDF NO.4 X .250L
- 550-166-00 HEATSINK, POWER SUPPLY
- 550-166-00 HEATSINK, POWER SUPPLY
- 706-013-00 STANDOFF, M/F #4 X .978
- 706-013-00 STANDOFF, M/F #4 X .978
- 450-217-00 PCB, 1202VLZ PRO
- 840-154-00 LBL BLANK 1.5X.25 BD P/N
- 705-005-00 KEPNUT 4-40
- 705-005-00 KEPNUT 4-40
- 705-005-00 KEPNUT 4-40
- 705-005-00 KEPNUT 4-40
- 700-012-00 SCREW, PHP 4-40 X 3/8
- 700-012-00 SCREW, PHP 4-40 X 3/8
- 700-012-00 SCREW, PHP 4-40 X 3/8
- 700-012-00 SCREW, PHP 4-40 X 3/8

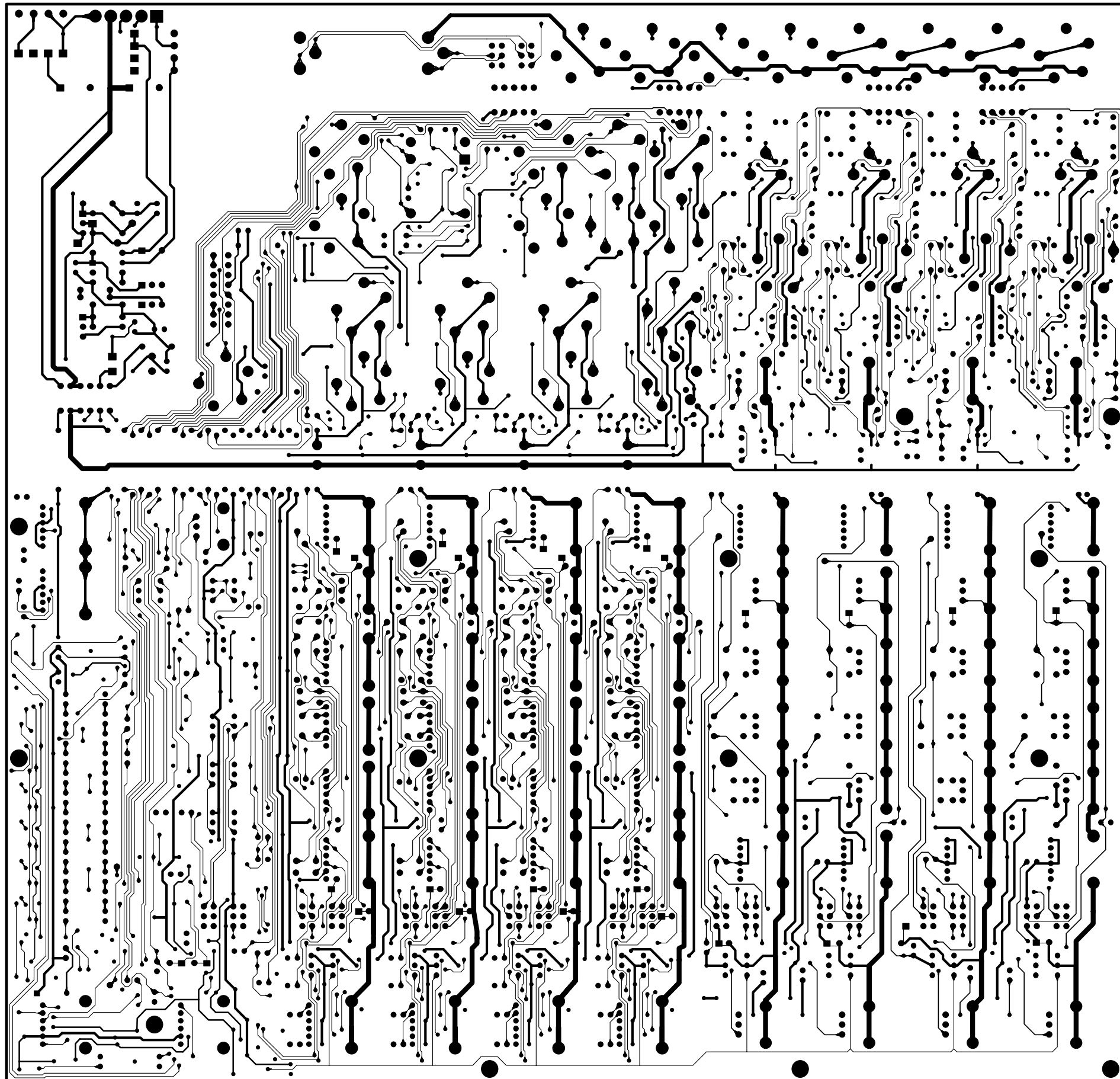
- 706-033-02 STDF SWAGE NO.4 X .555L F
- 706-033-02 STDF SWAGE NO.4 X .555L F
- 706-033-02 STDF SWAGE NO.4 X .555L F
- 706-033-02 STDF SWAGE NO.4 X .555L F
- 706-033-02 STDF SWAGE NO.4 X .555L F
- 706-033-02 STDF SWAGE NO.4 X .555L F
- 706-033-02 STDF SWAGE NO.4 X .555L F
- 706-033-02 STDF SWAGE NO.4 X .555L F
- 706-033-02 STDF SWAGE NO.4 X .555L F
- 706-033-02 STDF SWAGE NO.4 X .555L F
- 706-033-02 STDF SWAGE NO.4 X .555L F

UNLESS OTHERWISE SPECIFIED DIMENSIONS ARE IN INCHES TOLERANCES ARE: FRACTIONS: DECIMALS: ANGLES: ±NA .XX ±.01 ±NA .XXX ±.005	CONTRACT NO:		<b>MACKIE</b> Mackie Designs Inc. Woodinville, Wa.
	APPROVALS	DATE	
	DRAWN:		
	CHECKED:		
MATERIAL:	CHECKED:		SCHEMATIC POWER SUPPLY, 1202VLZ PRO
SEE NOTES	ISSUED:		
FINISH:	ENG:		
SEE NOTES	MFG:		
DO NOT SCALE DRAWING			SIZE D DWG. NO. 990-217-00 REV. B SCALE: NONE SHEET 10 OF 10









217-14

MAIN BOARD 217 Rev B