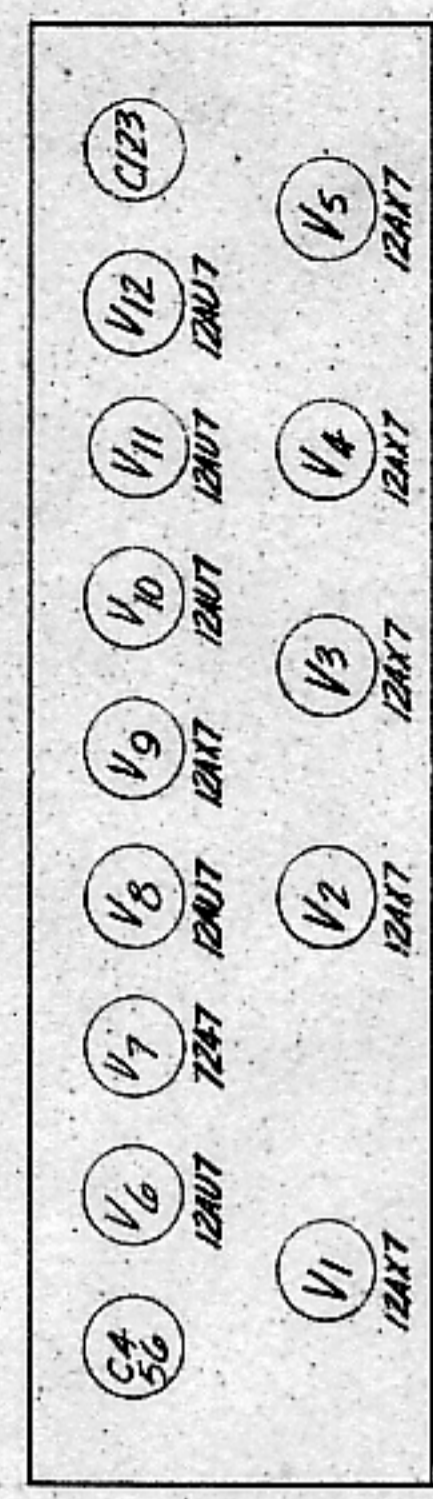
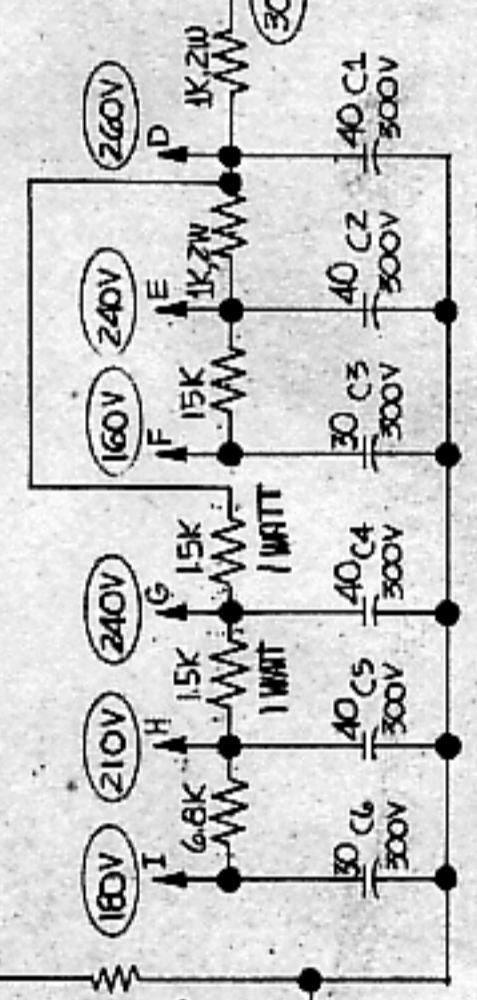
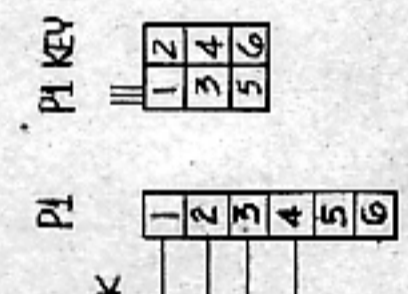


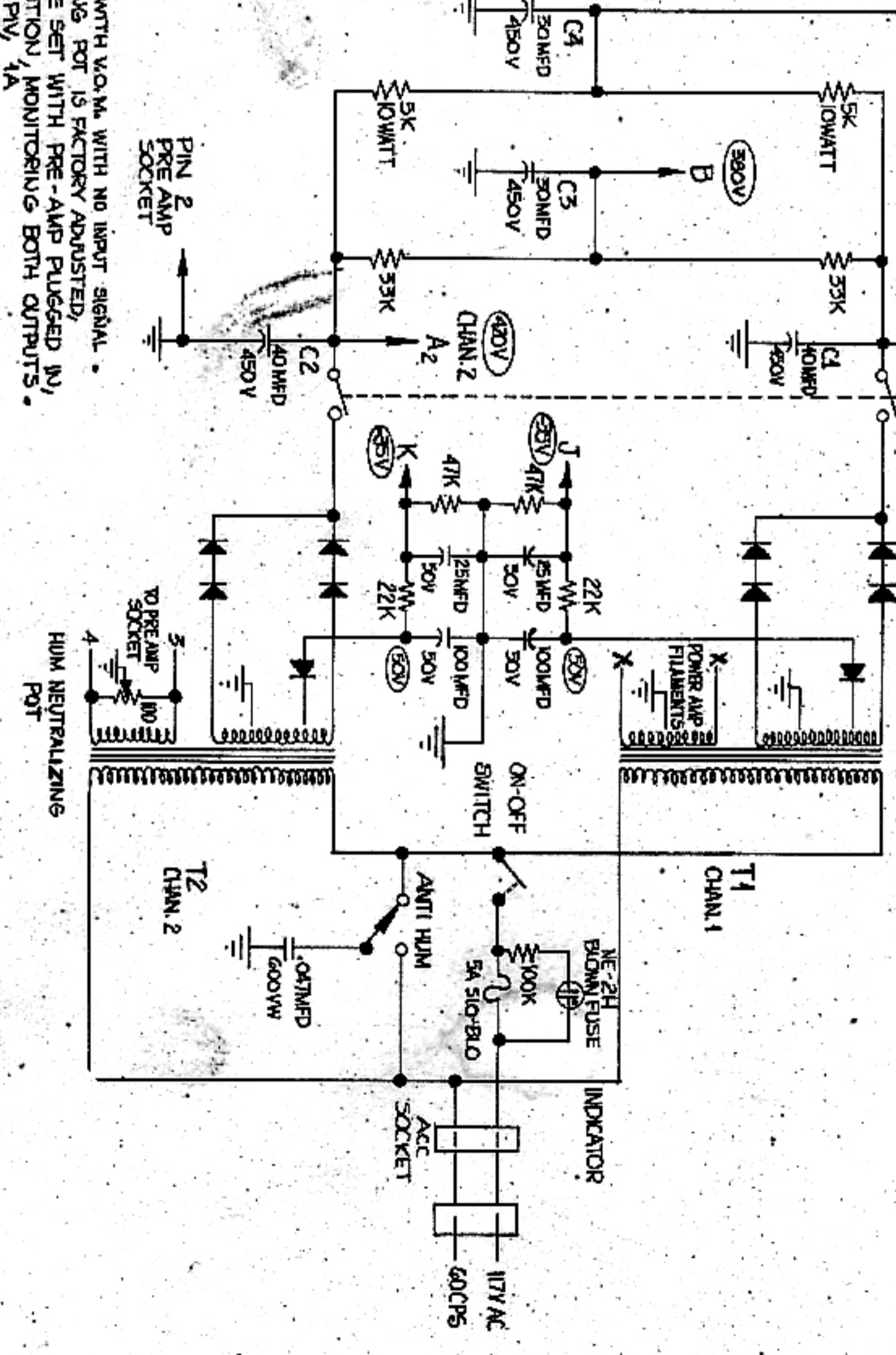
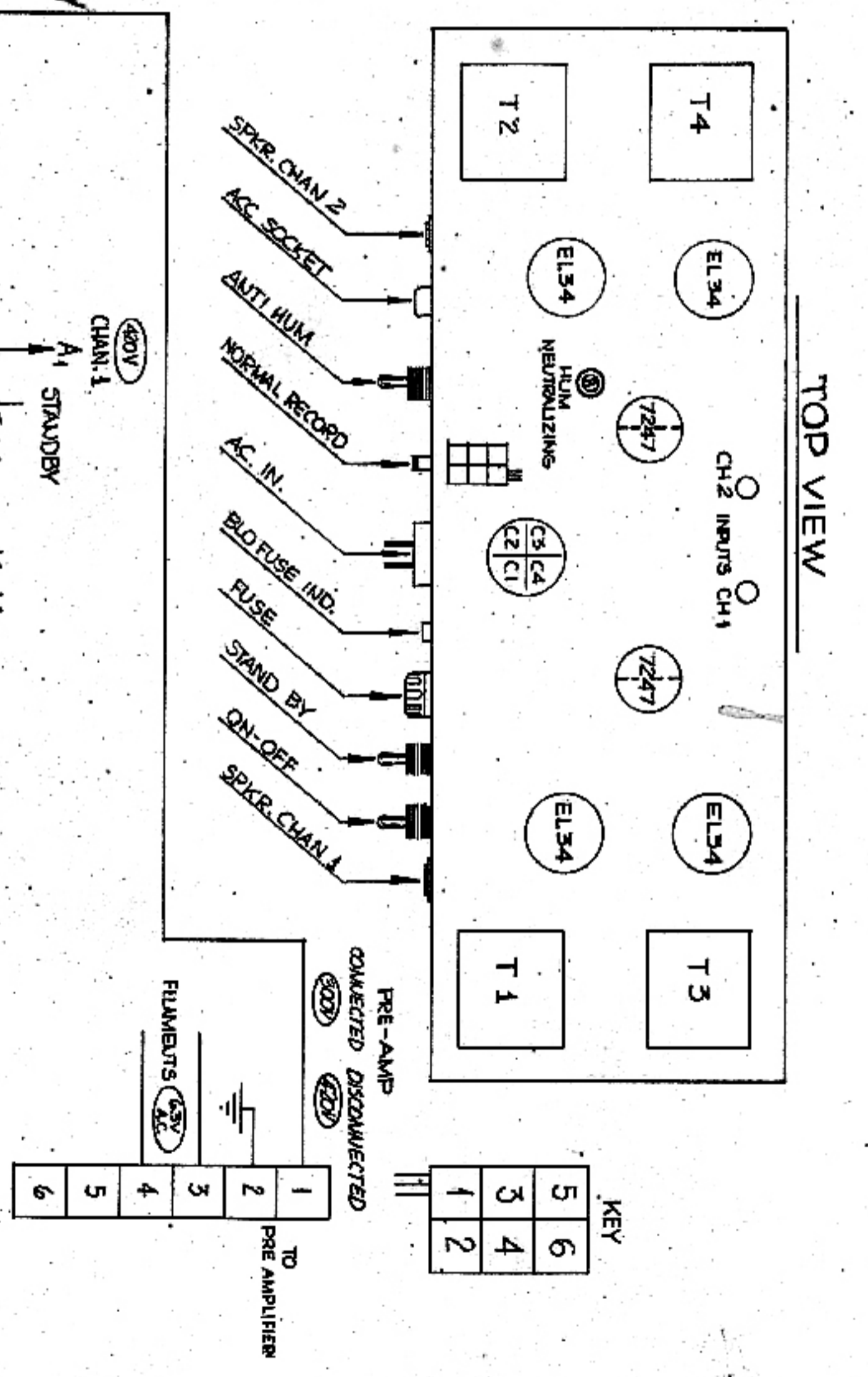
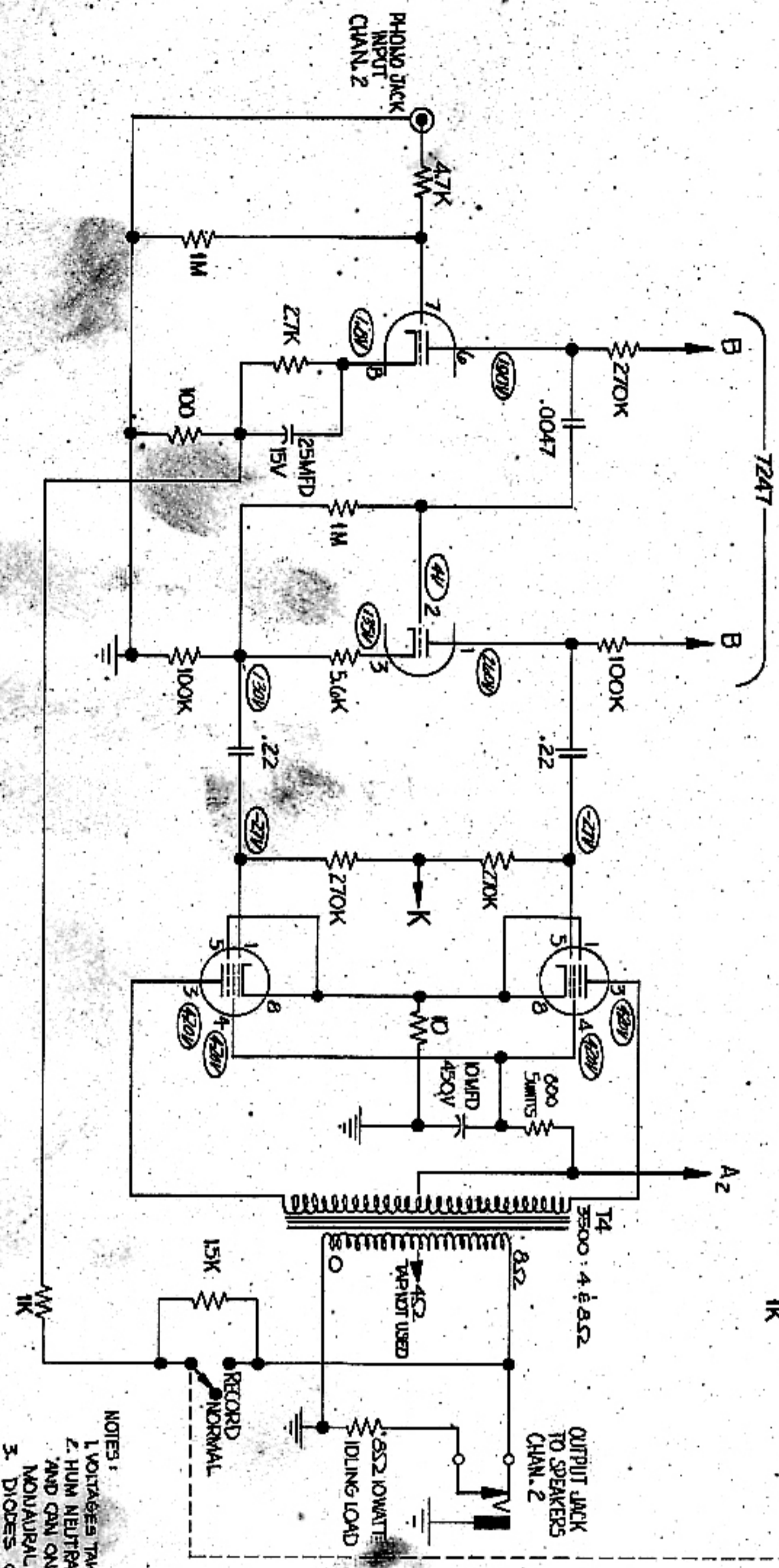
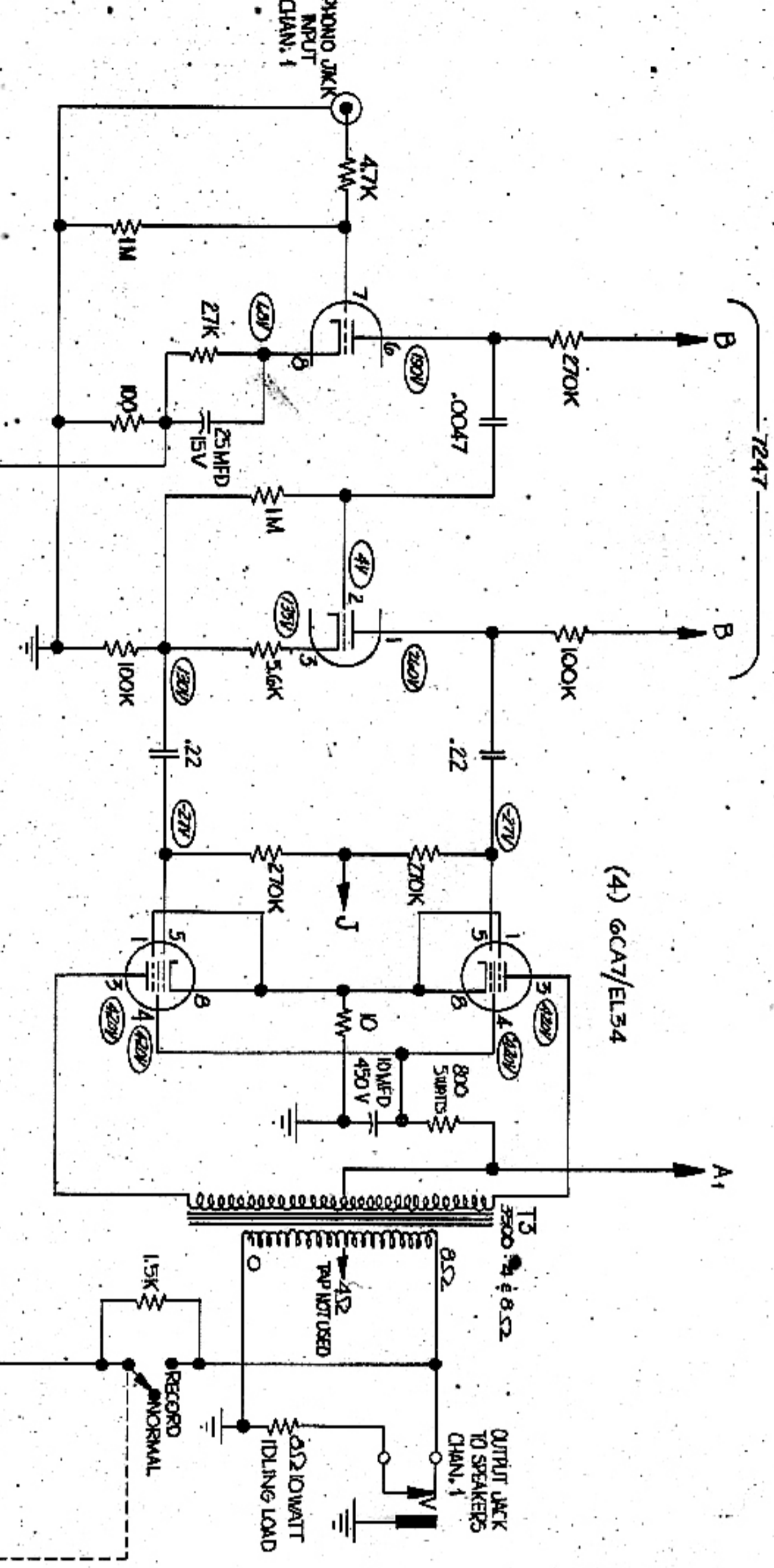
VIBRATO BOARD WIRE COLOR CHART

A	WHITE/BRN/BRN
B	WHITE/GRN/RED
C	RED
D	WHITE/VIOLET
E	WHITE/OR/OR
F	GRAY
G	WHITE/GREEN
H	WHITE/BLK/BLK
I	BLACK
J	WHITE/YELLOW



RELEASED FOR PRODUCTION
APP. 021 P. DATE 2/21/65





NOTES:

1. VOLTAGES TAKEN WITH V.O.M. WITH NO INPUT SIGNAL.

2. HUM NEUTRALIZING POT IS FACTORY ADJUSTED, AND CAN ONLY BE SET WITH PRE-AMP PLUGGED IN, MONITORIAL POSITION, MONITORING BOTH OUTPUTS.

3. DIODES 600 PIV, 1A

POWER AMPLIFIER
MODEL M20
66-5120