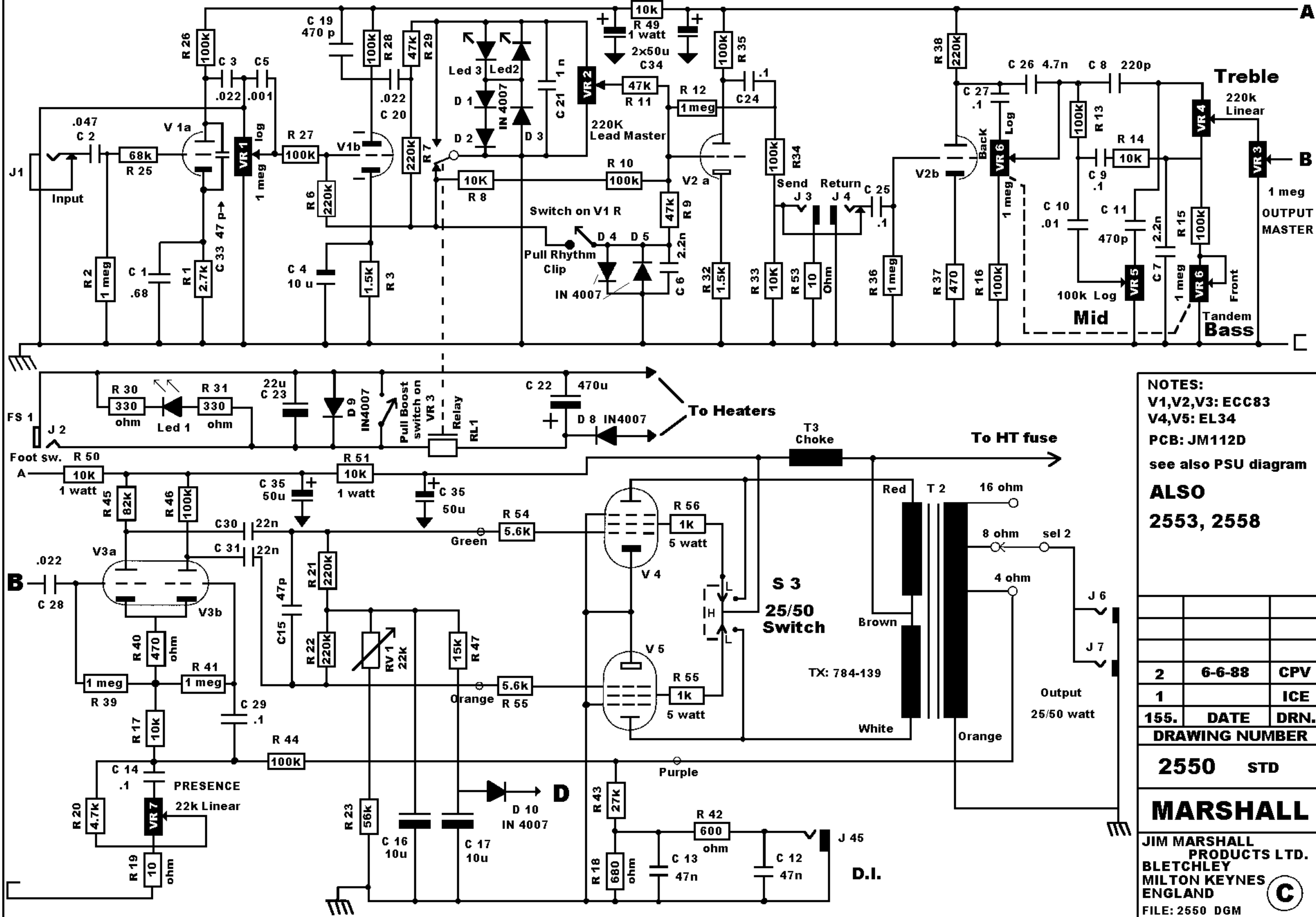


Notes:
 V1.2.3: ECC83
 V4.5: EL34
 PCB: JM112D
 See also PSU diagram

Also
 2553 + 2558

2	6-6-88	CPV
1		ICE
ISS. DATE		DRN.
DRAWING NUMBER		
2550 STD		
MARSHALL		
JIM MARSHALL PRODUCTS LTD.		
BLETCHLEY MILTON KEYNES ENGLAND		
File: 2550.DGM		



NOTES:
 V1,V2,V3: ECC83
 V4,V5: EL34
 PCB: JM112D
 see also PSU diagram

ALSO
 2553, 2558

2	6-6-88	CPV
1		ICE
155.	DATE	DRN.

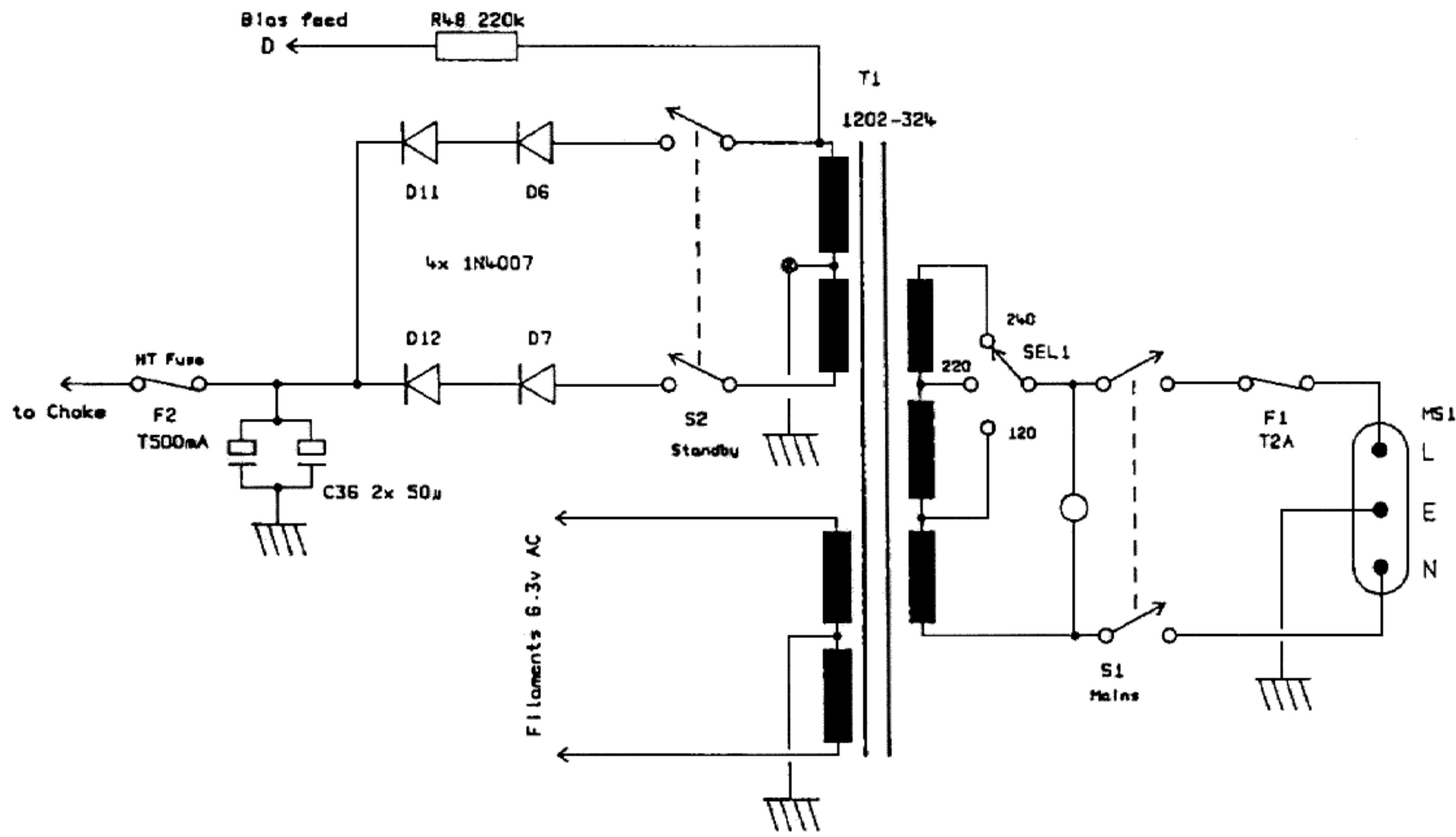
DRAWING NUMBER
 2550 STD

MARSHALL
 JIM MARSHALL PRODUCTS LTD.
 BLETCHLEY
 MILTON KEYNES
 ENGLAND

FILE: 2550 DGM

147

D.I.



2	6-6-88	CPV
ISS. DATE		DRN.

2550 STD
PSU

MARSHALL

JIM MARSHALL
PRODUCTS LTD.
BLETCHLEY
MILTON KEYNES
ENGLAND
File: 2550PSU.DGM

