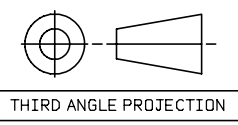
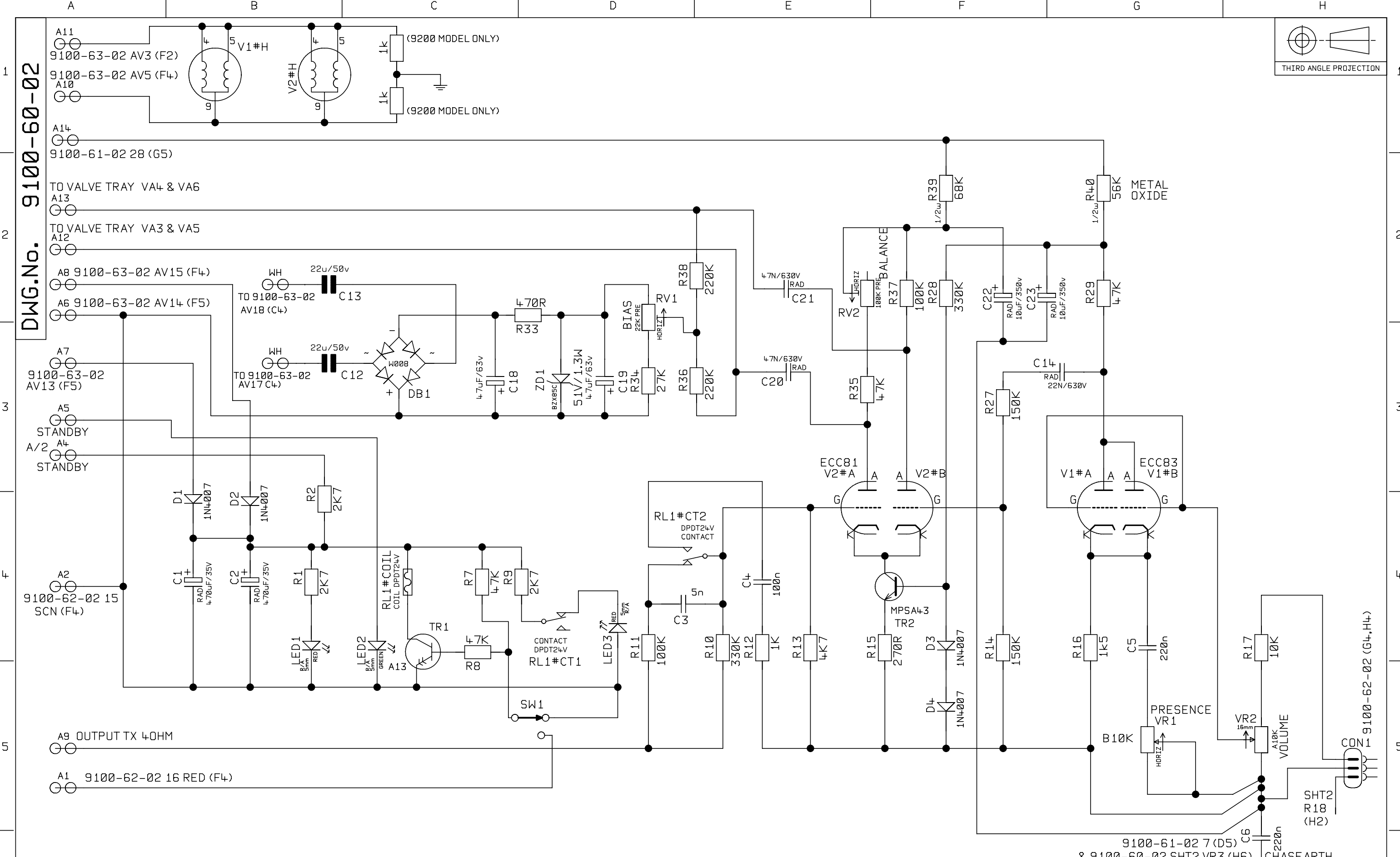


DWG.No. 9100-60-02



UNSPECIFIED HOLE DATA		
	A	H
	B	J
6	1313	01-10-96
5	0705	25-11-94
4	0752	27-10-94
3	0606	19-4-94
ISS	ECO NUMBER	DATE

MATERIAL		DIMENSIONS IN	
MATERIAL THICKNESS		TOLERANCE (UNLESS OTHERWISE STATED)	
INTERNAL BEND RADIUS		DIMENSIONAL	
EXTERNAL B/A		CENTRES	
BEND DIE		ANGULAR	
DRAWN A.G.	DATE 8-6-93	MODEL	
CHECKED	DATE	9100/9200	
APPROVED	DATE		

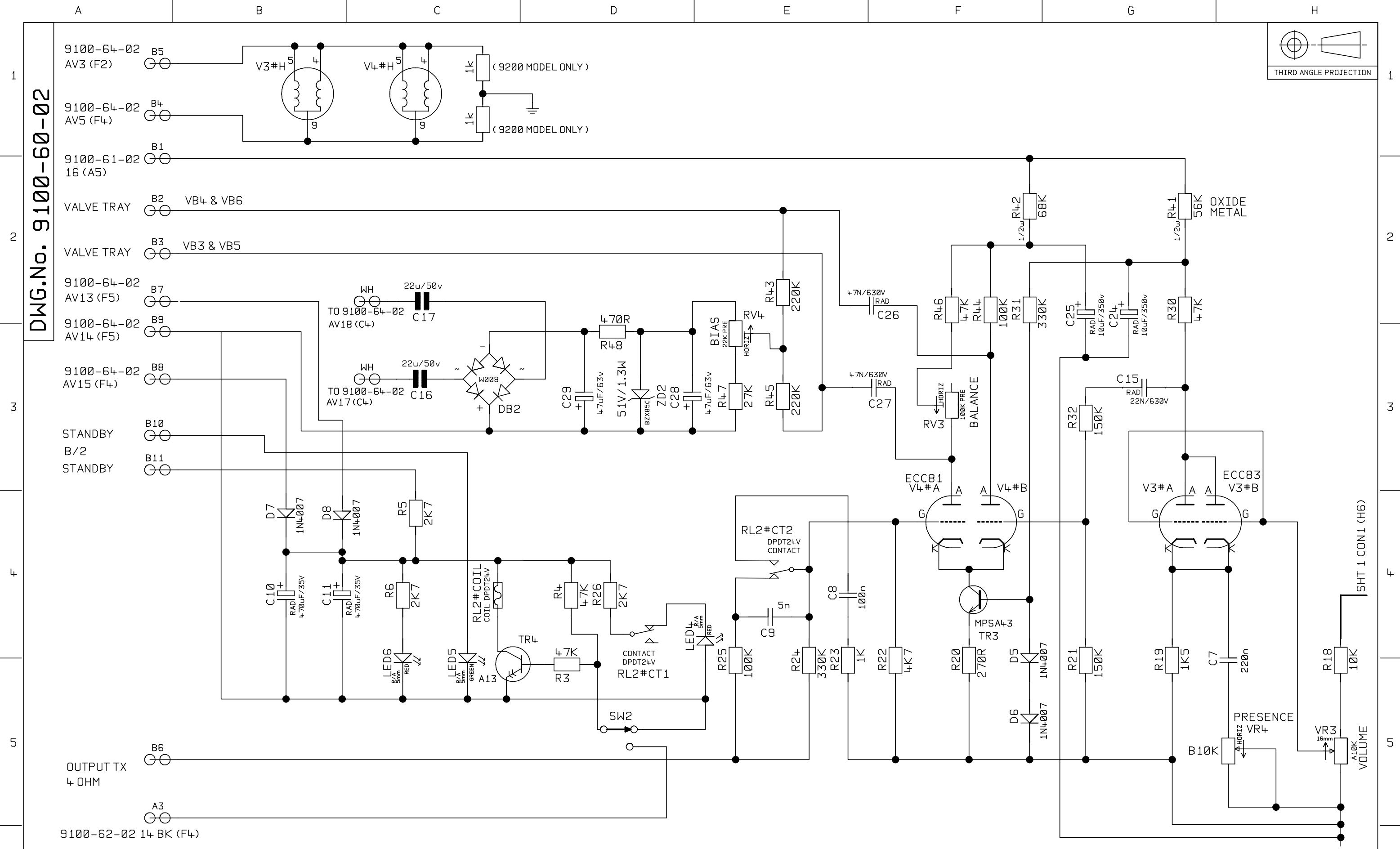
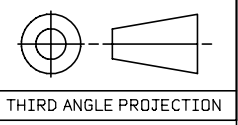
*Marshall*

COPYRIGHT EXISTS ON THIS DOCUMENT. IT MUST NOT BE USED FOR ANY PURPOSE THAN THAT FOR WHICH IT IS SUPPLIED AND MUST NOT BE COPIED (IN WHOLE OR IN PART) WITHOUT WRITTEN PERMISSION FROM

© MARSHALL AMPLIFICATION PLC.  
DENBIGH ROAD, BLETCHLEY, MILTON KEYNES, MK1 1DQ.  
TEL (0908)375411 FAX (0908)376118

TITLE		SHEET 1 OF 2	
CCT DIAG			
DRIVER PCB			
DWG.No	9100-60-02	ISSUE	6

DWG.No. 9100-60-02



6	1313	01-11-96	A
5	0705	25-11-94	B
4	0725	27-10-94	C
3	0606	19-4-94	D
ISS	ECO NUMBER	DATE	G

UNSPECIFIED HOLE DATA	
A	H
B	J
C	K
D	L
E	M
F	N
G	P

MATERIAL	
MATERIAL THICKNESS	
INTERNAL BEND RADIUS	
EXTERNAL B/A	
BEND DIE	
DRAWN A.G.	DATE 8-6-93
CHECKED	DATE
APPROVED	DATE

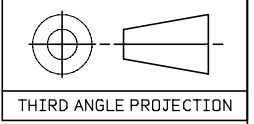
DIMENSIONS IN	
TOLERANCE (UNLESS OTHERWISE STATED)	
DIMENSIONAL	
CENTRES	
ANGULAR	
MODEL	9100/9200

*Marshall*

COPYRIGHT EXISTS ON THIS DOCUMENT. IT MUST NOT BE USED FOR ANY PURPOSE THAN THAT FOR WHICH IT IS SUPPLIED AND MUST NOT BE COPIED (IN WHOLE OR IN PART) WITHOUT WRITTEN PERMISSION FROM MARSHALL AMPLIFICATION PLC. DENBIGH ROAD, BLETCHLEY, MILTON KEYNES, MK1 10G. TEL: (0500) 375411 FAX: (0500) 376118

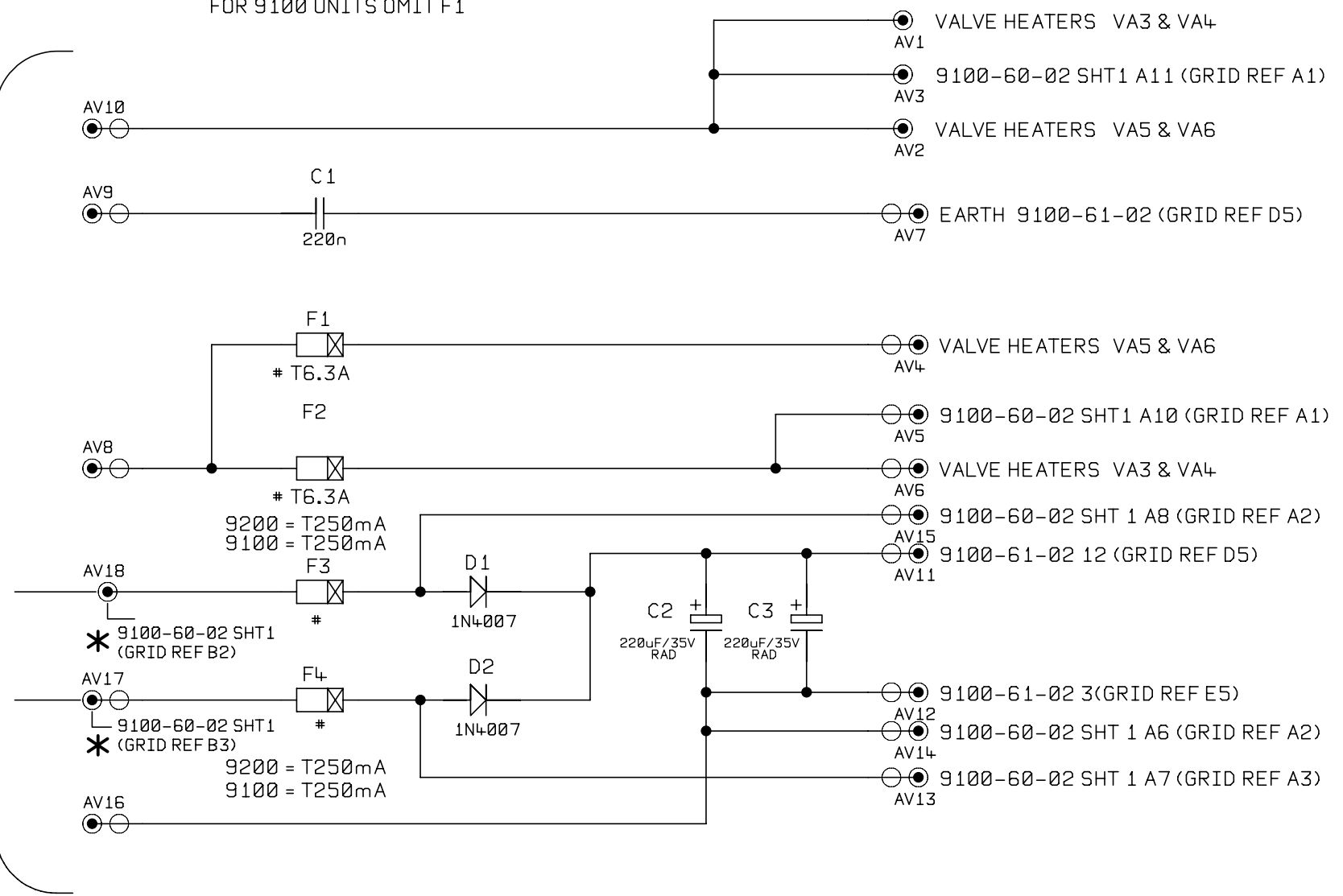
TITLE	CCT DIAG	SHEET 2 OF 2
	DRIVER PCB	
DWG.No	9100-60-02	ISSUE
		6

DWG.No. 9100-63-02



MAINS TRANSFORMER

FOR 9100 UNITS OMIT F1



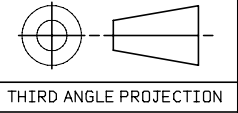
\* SEMKO ONLY

UNSPECIFIED HOLE DATA			MATERIAL		DIMENSIONS IN		TITLE
7	0725	27-10-94	A	H	MATERIAL THICKNESS	TOLERANCE (UNLESS OTHERWISE STATED)	CCT DIAG FUSE PCB'S
6	0659	8-6-94	B	J	INTERNAL BEND RADIUS	DIMENSIONAL	
5	0606	19-4-94	C	K	EXTERNAL B/A	CENTRES	DWG.No 9100-63-02
4	0502	16-12-93	D	L	BEND DIE	ANGULAR	
3	0467	12-11-93	E	M	DRAWN A.G. DATE 8-6-93	MODEL	
ISS	ECO NUMBER	DATE	F	N	CHECKED DATE	9100/9200	
			G	P	APPROVED DATE		



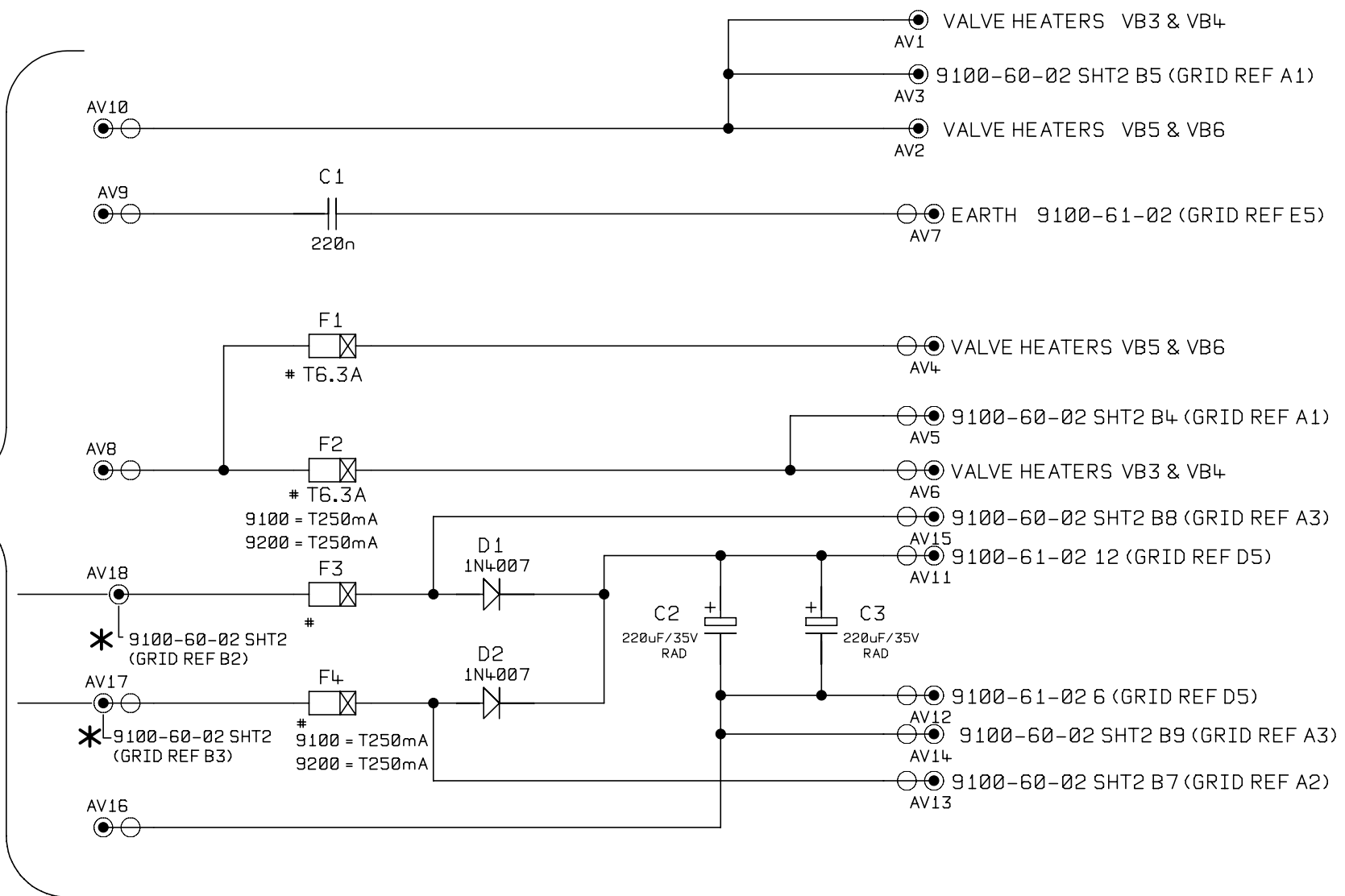
COPYRIGHT EXISTS ON THIS DOCUMENT. IT MUST NOT BE USED FOR ANY PURPOSE THAN THAT FOR WHICH IT IS SUPPLIED AND MUST NOT BE COPIED (IN WHOLE OR IN PART) WITHOUT WRITTEN PERMISSION FROM MARSHALL AMPLIFICATION PLC. DENBIGH ROAD, BLETCHLEY, MILTON KEYNES, MK1 1DQ. TEL (0900)375411 FAX (0900)376118

DWG.No. 9100-64-02



MAINS TRANSFORMER

FOR 9100 UNITS OMIT F1



\* SEMKO ONLY

ISS	ECO NUMBER	DATE	A	B	C	D	E	F	G	H
7	0725	27-10-94	A							
5	0606	19-4-94	B							
4	0502	16-12-93	C							
3	0467	12-11-93	D							
			E							
			F							
			G							

UNSPECIFIED HOLE DATA		A	B	C	D	E	F	G	H
		H	J	K	L	M	N	P	

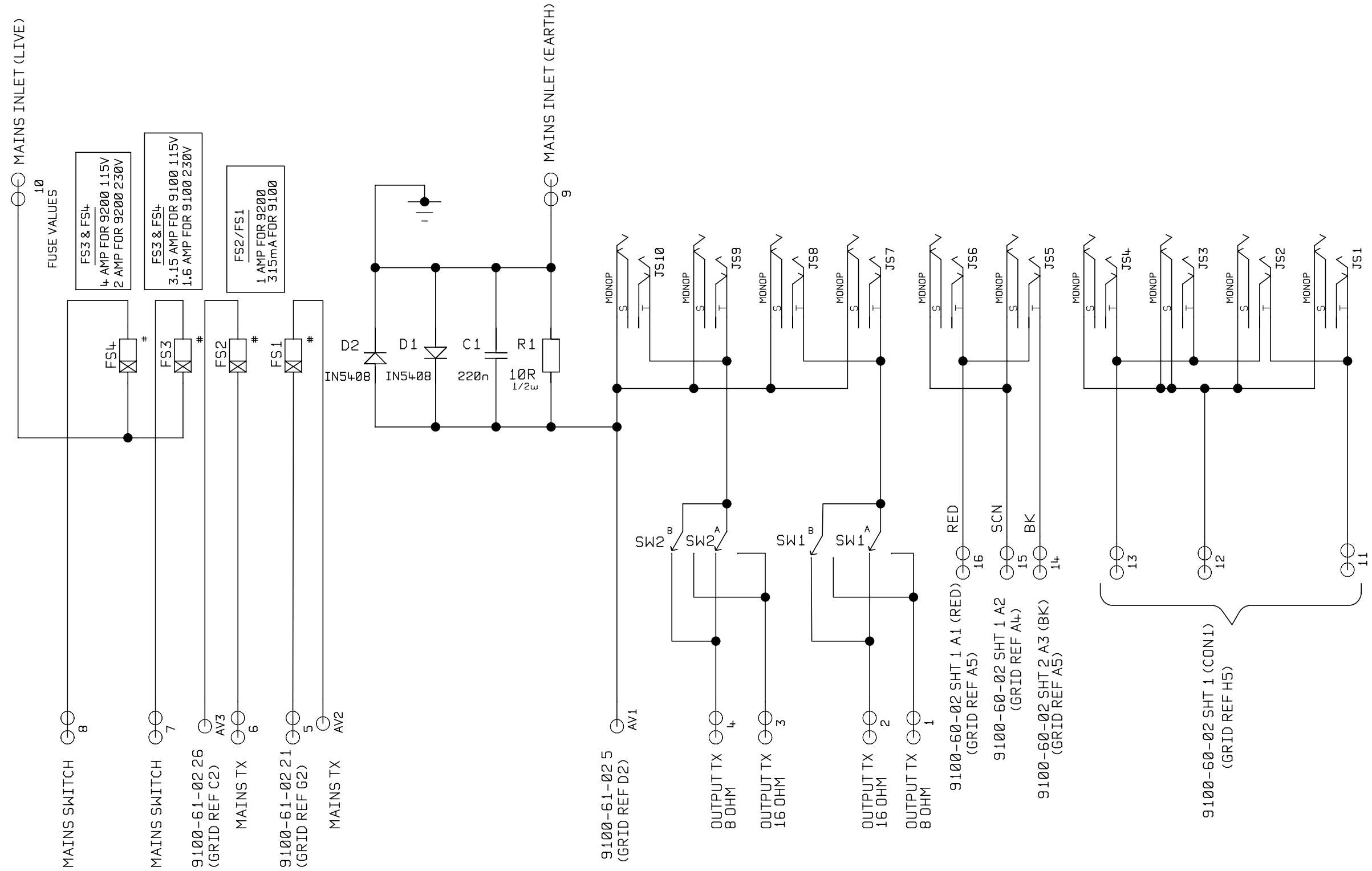
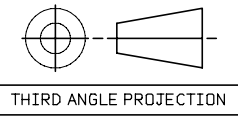
MATERIAL		DIMENSIONS IN	
MATERIAL THICKNESS		TOLERANCE (UNLESS OTHERWISE STATED)	
INTERNAL BEND RADIUS		DIMENSIONAL	
EXTERNAL B/A		CENTRES	
BEND DIE		ANGULAR	
DRAWN A.G.	DATE 8-6-93	MODEL	9100/9200
CHECKED	DATE		
APPROVED	DATE		

MARSHALL	
COPYRIGHT EXISTS ON THIS DOCUMENT. IT MUST NOT BE USED FOR ANY PURPOSE THAN THAT FOR WHICH IT IS SUPPLIED AND MUST NOT BE COPIED (IN WHOLE OR IN PART) WITHOUT WRITTEN PERMISSION FROM MARSHALL AMPLIFICATION PLC.	
DENBIGH ROAD, BLETCHLEY, MILTON KEYNES, MK1 10Q. TEL: (0500) 375411 FAX: (0500) 375118	

TITLE	
CCT DIAG FUSE PCB'S	
DWG.No	ISSUE
9100-64-02	7

MATERIAL		DIMENSIONS IN	
MATERIAL THICKNESS		TOLERANCE (UNLESS OTHERWISE STATED)	
INTERNAL BEND RADIUS		DIMENSIONAL	
EXTERNAL B/A		CENTRES	
BEND DIE		ANGULAR	
DRAWN A.G.	DATE 8-6-93	MODEL	9100/9200
CHECKED	DATE		
APPROVED	DATE		

DWG.No. 9100-62-02



UNSPECIFIED HOLE DATA

A	H
B	J
C	K
D	L
E	M
F	N
G	P

MATERIAL	
MATERIAL THICKNESS	
INTERNAL BEND RADIUS	
EXTERNAL B/A	
BEND DIE	
DRAWN A.G.	DATE 8-6-93
CHECKED	DATE
APPROVED	DATE

DIMENSIONS IN	
TOLERANCE (UNLESS OTHERWISE STATED)	
DIMENSIONAL	
CENTRES	
ANGULAR	
MODEL	
9100/9200	

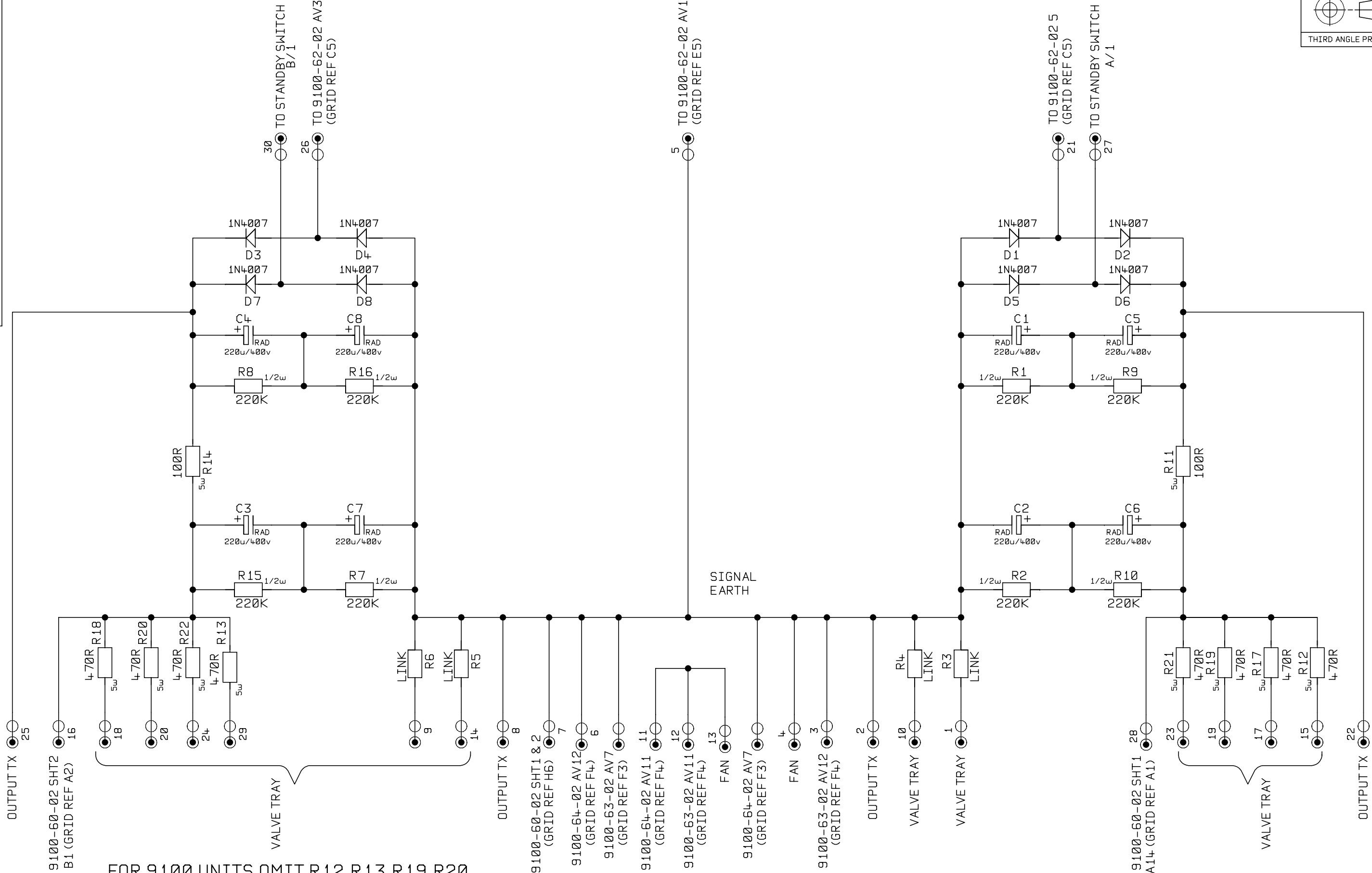
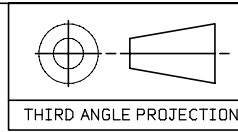


COPYRIGHT EXISTS ON THIS DOCUMENT. IT MUST NOT BE USED FOR ANY PURPOSE THAN THAT FOR WHICH IT IS SUPPLIED AND MUST NOT BE COPIED (IN WHOLE OR IN PART) WITHOUT WRITTEN PERMISSION FROM  
 © MARSHALL AMPLIFICATION PLC.  
 DENBIGH ROAD, BLETCHLEY, MILTON KEYNES, MK1 1DQ.  
 TEL (0908)375411 FAX (0908)376118

TITLE	
CCT DIAG	
INPUT/OUTPUT PCB	
DWG.No	ISSUE
9100-62-02	4

4	0725	27-10-94
3	0659	8-6-94
ISS	ECO NUMBER	DATE

DWG.No. 9100-61-02



FOR 9100 UNITS OMIT R12,R13,R19,R20

UNSPECIFIED HOLE DATA		
	A	H
	B	J
6	0705	25-11-94
5	0725	27-10-94
4	0502	16-12-93
3	0467	12-11-93
ISS	ECO NUMBER	DATE

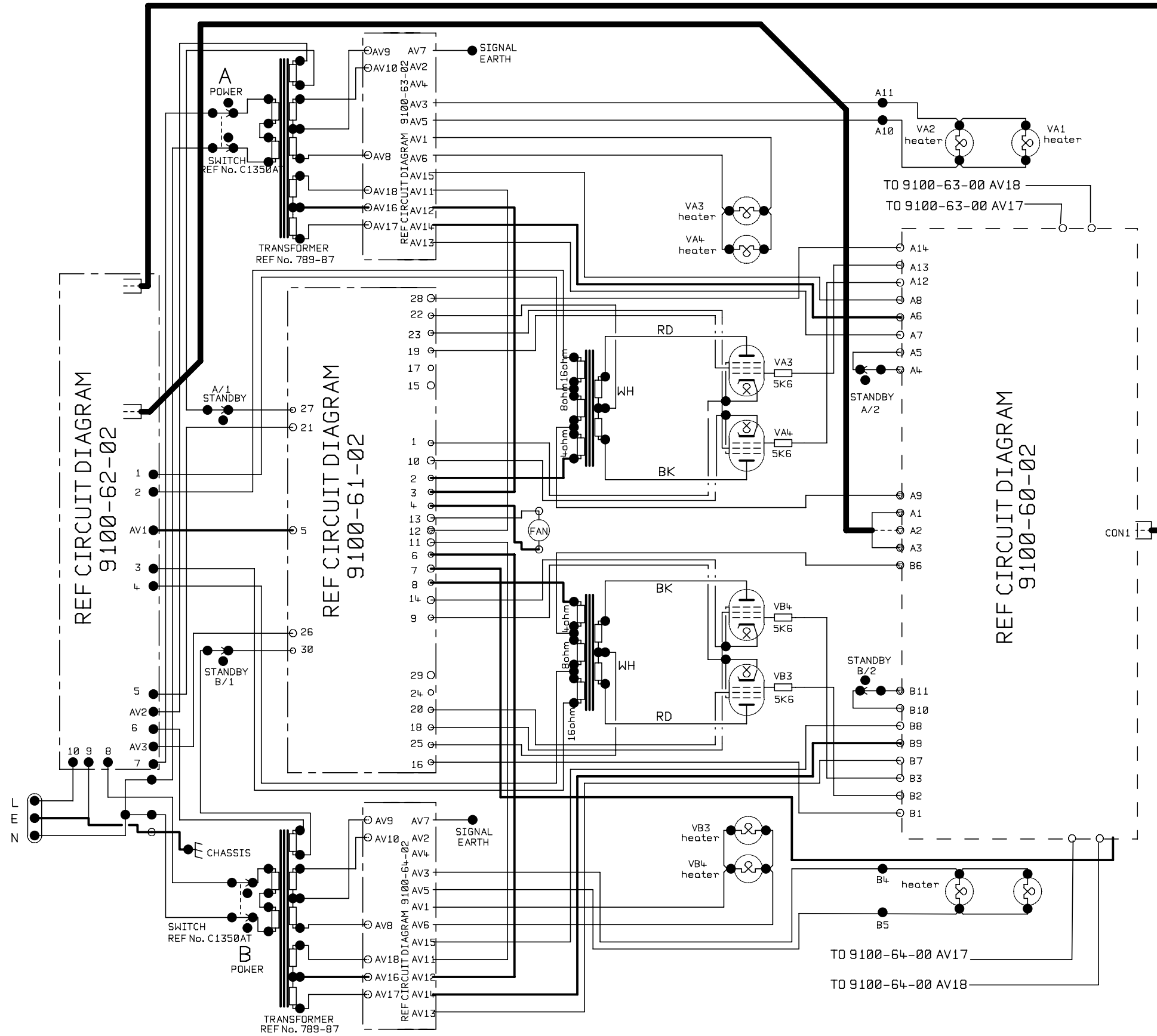
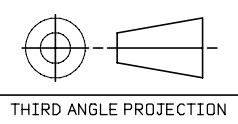
MATERIAL		DIMENSIONS IN	
MATERIAL THICKNESS		TOLERANCE (UNLESS OTHERWISE STATED)	
INTERNAL BEND RADIUS		DIMENSIONAL	
EXTERNAL B/A		CENTRES	
BEND DIE		ANGULAR	
DRAWN A.G.	DATE 8-6-93	MODEL	9100/9200
CHECKED	DATE		
APPROVED	DATE		

*Marshall*

COPYRIGHT EXISTS ON THIS DOCUMENT. IT MUST NOT BE USED FOR ANY PURPOSE THAN THAT FOR WHICH IT IS SUPPLIED AND MUST NOT BE COPIED (IN WHOLE OR IN PART) WITHOUT WRITTEN PERMISSION FROM MARSHALL AMPLIFICATION PLC. DENBIGH ROAD, BLETCHLEY, MILTON KEYNES, MK1 1DG. TEL. (0908)375411 FAX (0908)376118

TITLE	
CCT DIAG PSU PCB	
DWG.No 9100-61-02	ISSUE 6

DWG.No. 9100-65-02



5	0725	27-10-94	D
4	0606	20-4-94	E
3	0502	16-12-93	F
ISS	ECO NUMBER	DATE	G

UNSPECIFIED HOLE DATA	
A	H
B	J
C	K
D	L
E	M
F	N
G	P

MATERIAL	
MATERIAL THICKNESS	
INTERNAL BEND RADIUS	
EXTERNAL B/A	
BEND DIE	
DRAWN A.G.	DATE 13-9-93
CHECKED	DATE
APPROVED	DATE

DIMENSIONS IN	
TOLERANCE (UNLESS OTHERWISE STATED)	
DIMENSIONAL	
CENTRES	
ANGULAR	
MODEL	9100

*Marshall*

COPYRIGHT EXISTS ON THIS DOCUMENT. IT MUST NOT BE USED FOR ANY PURPOSE THAN THAT FOR WHICH IT IS SUPPLIED AND MUST NOT BE COPIED (IN WHOLE OR IN PART) WITHOUT WRITTEN PERMISSION FROM MARSHALL AMPLIFICATION PLC. DENBIGH ROAD, BLETCHLEY, MILTON KEYNES, MK1 1DQ. TEL (0908)375411 FAX (0908)375118

TITLE	
9100/9200 CCT DIAG	
DWG.No	ISSUE
9100-65-02	5